

ASSEMBLY INSTRUCTIONS




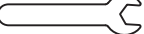
LIST OF WOODEN PARTS

NO.	DESCRIPTION	Q'TY
A	SEAT	1 PC
B	LEG FRAME	4 PC

QUESTION ?

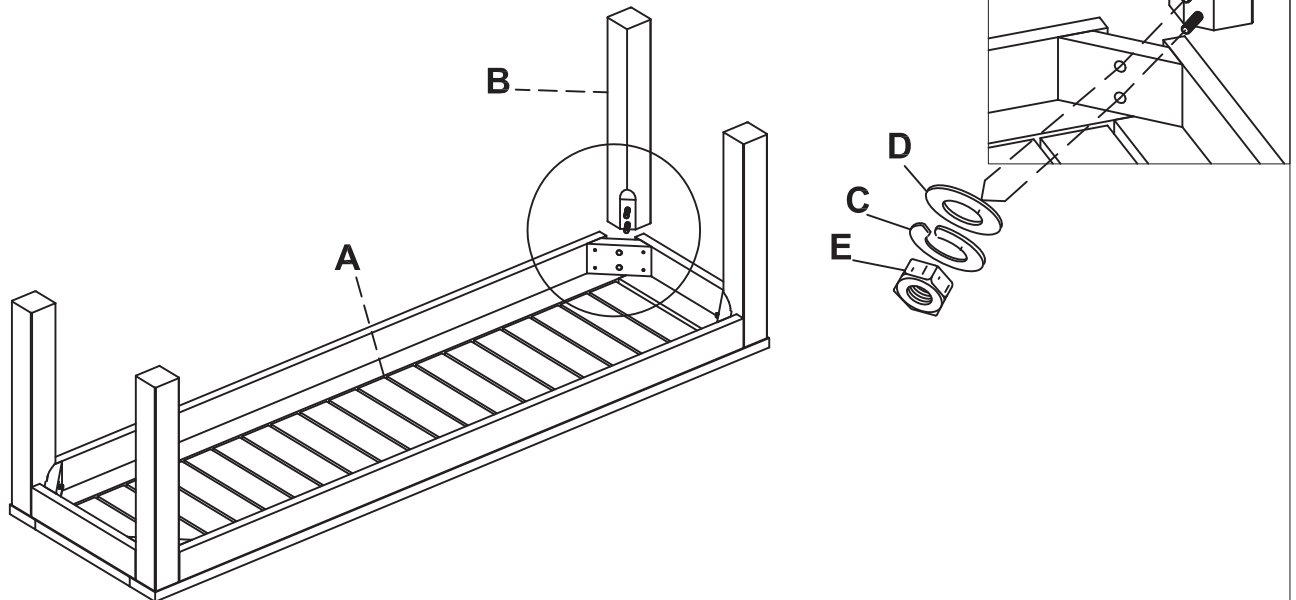
Identify all parts and hardware. If any pieces are missing call our toll free number at 1-888-287-4275 from 9:00 am to 5:00 pm CST (Monday to Friday) for replacement parts. For faster service, have the style number handy when calling.

LIST OF HARDWARE PARTS :

C		SPRING WASHER 8 PCS + 1
D		WASHER 8 PCS + 1
E		NUT 8 PCS + 1
F		WRENCH 1 PCS

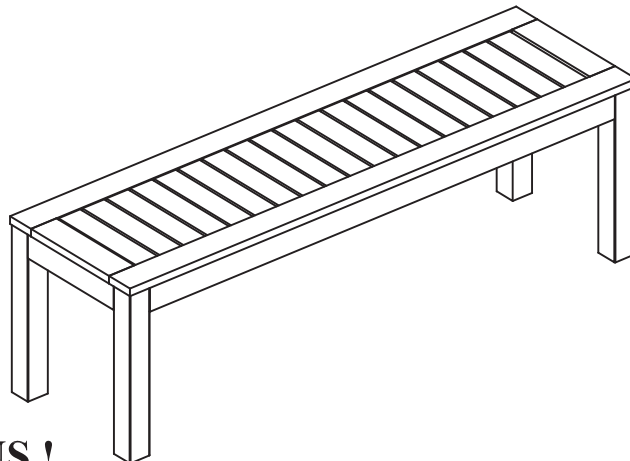
- NOTE : 1. PLEASE READ THE INSTRUCTION SHEET CAREFULLY BEFORE YOU START ASSEMBLY.
 2. PLEASE DO NOT TIGHTEN THE BOLTS UNTIL ALL BOLTS ARE IN THE CORRECT POSITION AS SHOWN IN THE DIAGRAM.
 3. PHILLIP'S SCREWDRIVER IS NEEDED IN ASSEMBLING (NOT PROVIDED).

1



- ATTACH LEG (B) INTO CORNER OF BENCH SEAT (A). THROUGH PREDRILLED HOLES AND SECURE WITH WASHER, SPRING WASHER AND NUT.
- TIGHTEN NUT USING WRENCH, PROVIDED.

2



CONGRATULATIONS !
 THE BENCH IS NOW READY FOR USE.

IT- 817140

ASSEMBLY INSTRUCTIONS




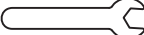
LIST OF WOODEN PARTS

NO.	DESCRIPTION	Q'TY
A	TABLE TOP	1 PC
B	LEG	4 PC

QUESTION ?

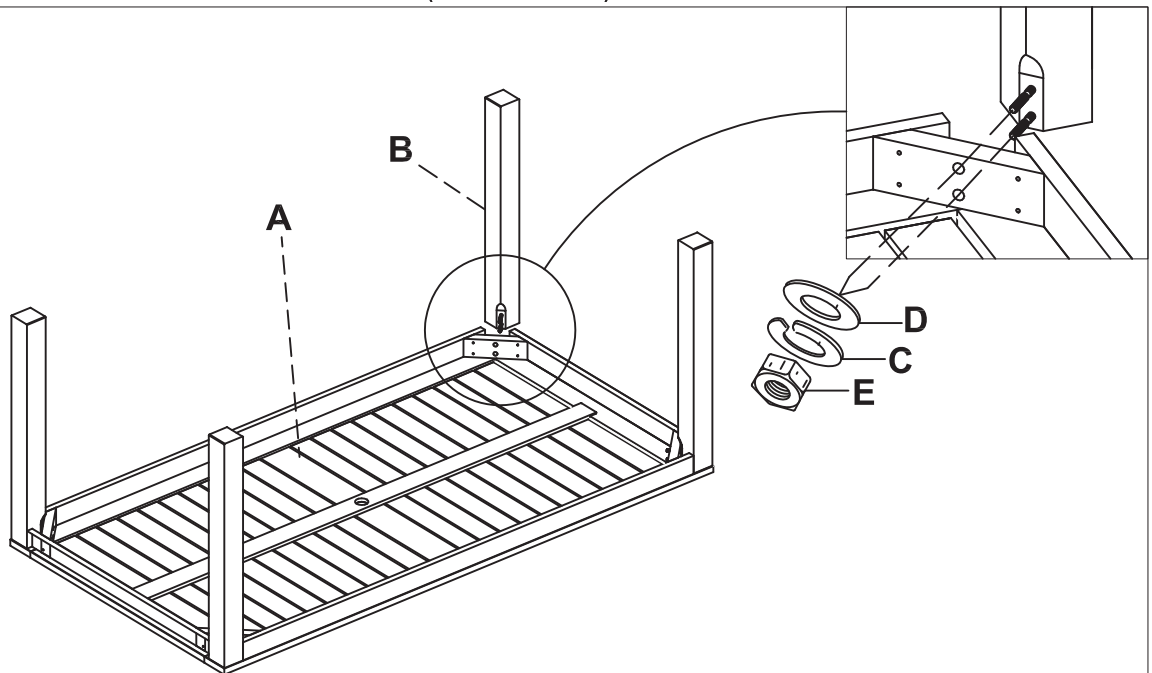
Identify all parts and hardware. If any pieces are missing call our toll free number at 1-888-287-4275 from 9:00 am to 5:00 pm CST (Monday to Friday) for replacement parts. For faster service, have the style number handy when calling.

LIST OF HARDWARE PARTS :

C		SPRING WASHER 8 PCS + 1
D		WASHER 8 PCS + 1
E		NUT 8 PCS + 1
F		WRENCH 1 PCS

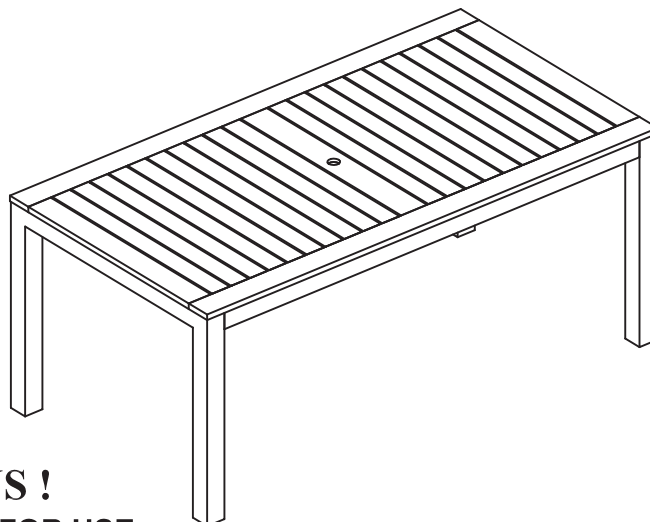
- NOTE : 1. PLEASE READ THE INSTRUCTION SHEET CAREFULLY BEFORE YOU START ASSEMBLY.
 2. PLEASE DO NOT TIGHTEN THE BOLTS UNTIL ALL BOLTS ARE IN THE CORRECT POSITION AS SHOWN IN THE DIAGRAM.
 3. PHILLIP'S SCREWDRIVER IS NEEDED IN ASSEMBLING (NOT PROVIDED).

1



- ATTACH LEG (B) INTO CORNER OF TABLE TOP (A) INSERT WASHER, SPRING WASHER AND NUT TO SECURE LEG (B).
- TIGHTEN NUT USING WRENCH, PROVIDED.

2



CONGRATULATIONS !
 THE TABLE IS NOW READY FOR USE.

IT- 870320