

LED Pole Light



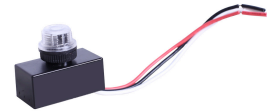
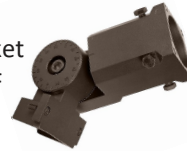
PRODUCT DESCRIPTION

This light's cutting-edge optical design provides superior illumination and precision glare control. The unique cooling channel design promotes efficient heat dissipation and ensures a longer lifespan whether you have a new construction or upgrade application.

APPLICATIONS: Parking lots, driveways, and roadways

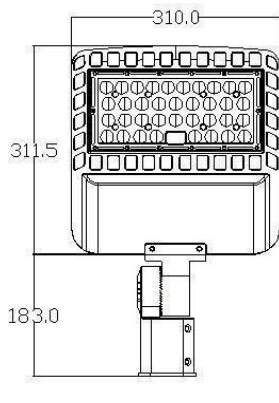
ACCESSORIES (SOLD SEPARATELY)

Slip Fitter Bracket
JH-SBSBR-82F

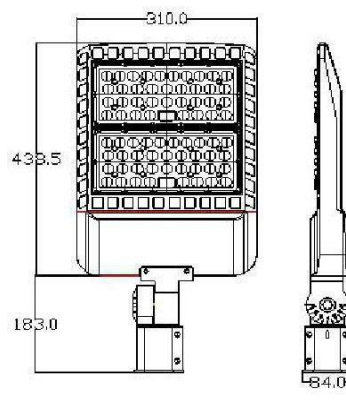


Photocell
JH-PCAW-27R

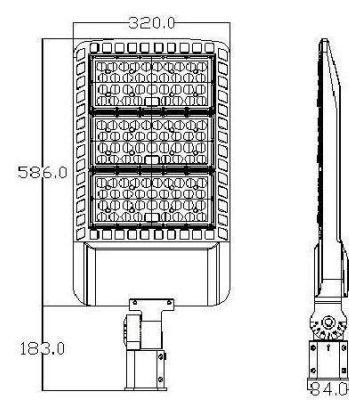
Dimensions



100W



150W/200W



240W/320W

All dimensions in millimeters

Specifications

Part Number	Input Power	Input Voltage	Efficiency	CCT	Light Distribution	CRI	Certificates	Warranty
JH-SBS100W-82F	100W	100-277VAC	120Lm/W	3000-5700K	TYPE II/III/IV/V	75+	ETL	5 Years
JH-SBS150W-82F	150W	100-277VAC	120Lm/W	3000-5700K	TYPE II/III/IV/V	75+	ETL	5 Years
JH-SBS200W-82F	200W	100-277VAC	120Lm/W	3000-5700K	TYPE II/III/IV/V	75+	ETL	5 Years
JH-SBS240W-82F	240W	100-277VAC	120Lm/W	3000-5700K	TYPE II/III/IV/V	75+	ETL	5 Years
JH-SBS320W-82F	320W	100-277VAC	120Lm/W	3000-5700K	TYPE II/III/IV/V	75+	ETL	5 Years