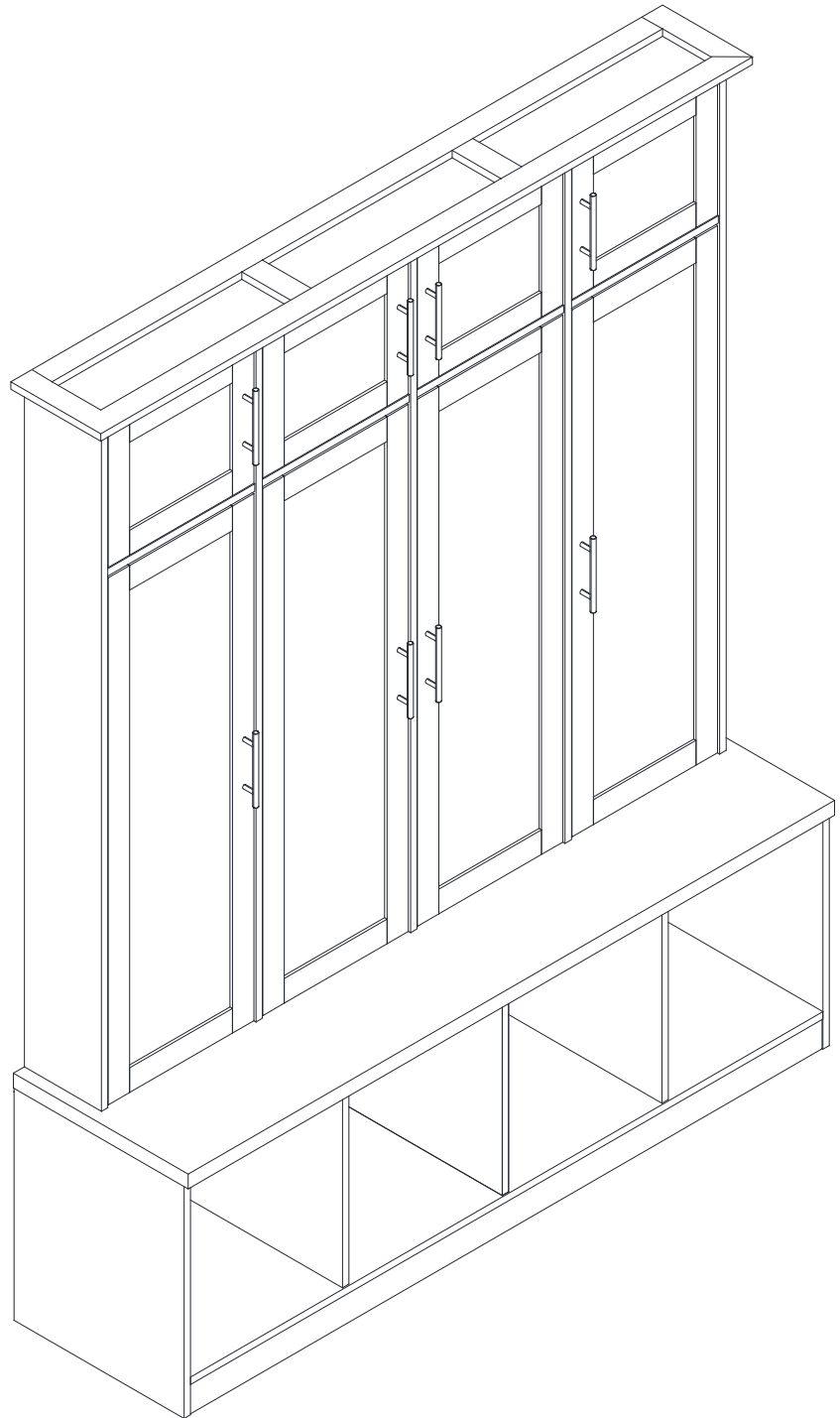


Hall Tree

Assembly Instructions - Please keep for future reference



Dimensions

Width- 59.05inch

Depth-15.75inch

Height-74.80inch

Important – Please read these instructions fully before starting assembly



Safety and Care Advice

Important – Please read these instructions fully before starting assembly

- Check you have all the components and tools listed on the following pages.
- Remove all fittings from the plastic bags and separate them into their groups.
- Keep children and animals away from the work area, small parts could choke if swallowed.
- Make sure you have enough space to layout the parts before starting.

- During assembly do not stand or put weight on the product, this could cause damage.
- Assemble the item as close to its final position (in the same room) as possible.
- Assemble on a soft level surface to avoid damaging the unit or your floor.
- Parts of the assembly will be easier with 2 people.



power drill is set on a low torque setting.

- To reduce the likelihood of damaging your product please ensure that your

Care and maintenance

- Only clean using a damp cloth and mild detergent, do not use bleach or abrasive cleaners.
- From time to time check that there are no loose screws on this unit.
- This product should not be discarded with household waste. Take to your local authority waste disposal centre.

Handy Hints

- Assemble all parts and bolts loosely during assembly, only once the product is complete should you fully tighten the bolts
- Regularly check and ensure That all bolts and fittings are tightend properly.

WARNING
In order to help prevent overturning – please follow these instructions

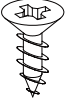
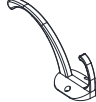
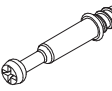



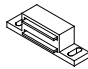
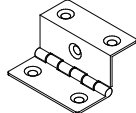



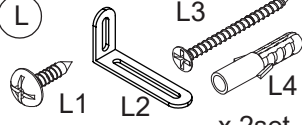
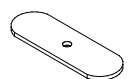



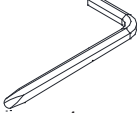
To help prevent product toppling over please follow the below steps:-

- Use the anti tip stap or wall fixing method provided (if applicable)
- Do not allow children to climb or hang on the furniture
- Do not open more than one drawer at a time
- Do not place heavy items in the top drawers
- Do not place heavy items on top of the furniture, unless the furniture has been designed for this purpose

Components - Fittings

Please check you have all the panels listed below

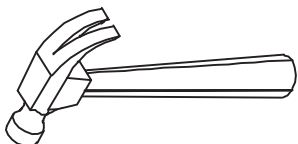
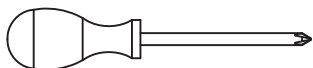
Note: The quantities below are the correct amount to complete the assembly. In some cases more fittings may be supplied than are required

<p>(A)  3*12mm Screw x 108+2</p>	<p>(B)  Hook x 4</p>	<p>(C)  Cam Bolt x 66+2</p>	<p>(D)  6*30mm Dowel x 58+2</p>
<p>(E)  Cam lock x 66+2</p>	<p>(F)  6*50mm Dowel x 15+1</p>	<p>(G)  x 8</p>	<p>(H)  Triple fold hinge x 20</p>
<p>(I)  Handle x 8</p>	<p>(J)  4*20mm Screw x 16+1</p>	<p>(K)  4*35mm Screw x 6+1</p>	<p>(L)  L1 L2 L3 L4 x 2set</p>
<p>(M)  x 8</p>	<p>(P)  Back Panel Buckle x 22</p>	<p>(Q)  3*16mm Screw x 46+2</p>	<p>(R)  Perfect fit x 66</p>
<p>(S)  Allen key x 1</p>			

Tools required Not Included



Phillips screwdriver
(medium & large)



Using Camlocks

Step 1

Connect the male camlock as directed in the assembly instructions using a screwdriver.

1

DO NOT OVER TIGHTEN.
NE PAS SERRER EXCESSIVEMENT.



Step 2

Push the male camlock into the entry hole.

2

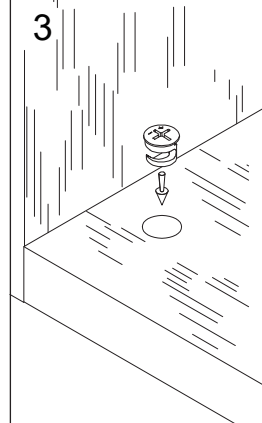


Step 3

Insert the female camlock as shown in the instruction.

Note: ensure that the arrow on the top of the camlock points towards the entry hole for the male camlock.

3



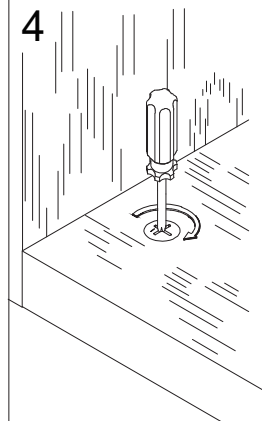
Step 4

Turn the female camlock clockwise with a screwdriver.

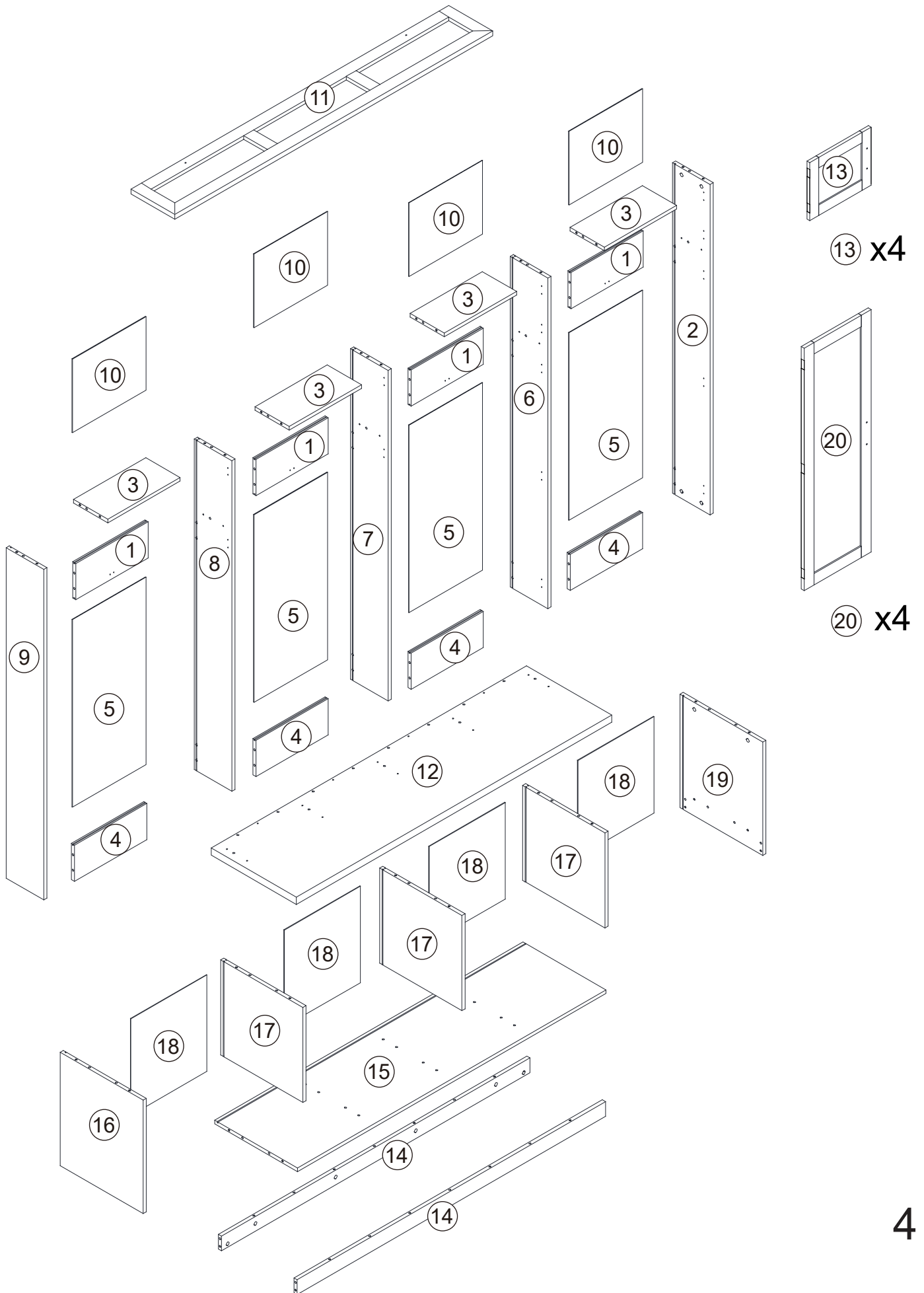
You should feel a click when the camlock is locked in place.

The joint is now secure.

4








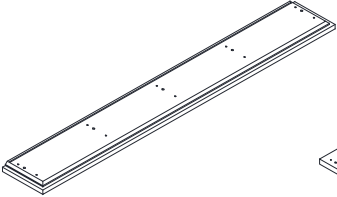
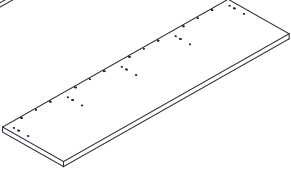
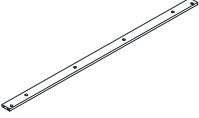
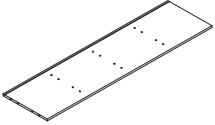
Assembly Instructions



PART LIST

There are 2 boxes of this product.

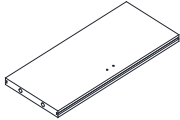
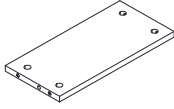
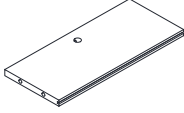
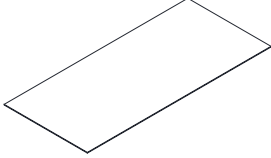
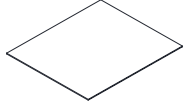
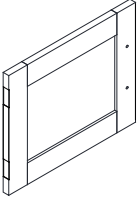
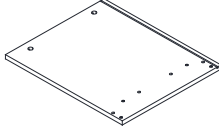
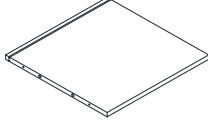
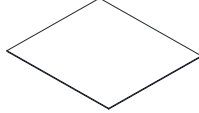
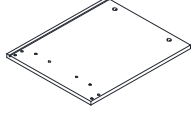


Box 1:N721P366126

 ② x1	 ⑥ x1	 ⑦ x1	 ⑧ x1	
upper right side panel 1370x180x15mm	middle back panel 1370x180x15mm	middle partition 1370x180x15mm	middle partition 1370x180x15mm	
 ⑨ x1	 ⑪ x1	 ⑫ x1	 ⑭ x2	 ⑮ x1
upper left side panel 1370x180x15mm	top panel 1492x195x15mm	seat panel 1510x408x15mm	toe tick 1468x60x12mm	bottom 1468x396x12mm

PART LIST

There are 2 boxes of this product.

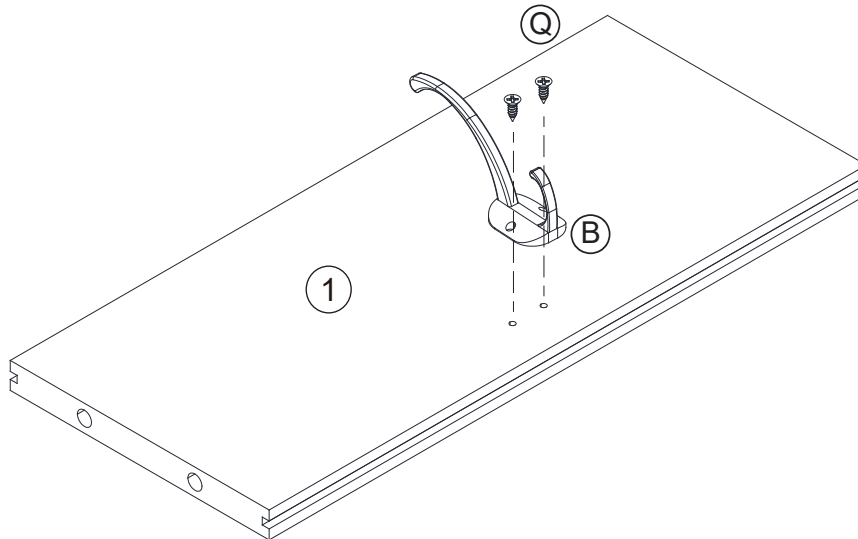
Box 2: N721P366127

				
<p>①</p>	<p>③</p>	<p>④</p>	<p>⑤</p>	<p>⑩</p>
<p>x4</p>	<p>x4</p>	<p>x4</p>	<p>x4</p>	<p>x4</p>
<p>upper brace 346x150x12mm</p>	<p>upper shelf 346x164x15mm</p>	<p>lower brace 346x150x12mm</p>	<p>middle back panel 785x353x3mm</p>	<p>upper back panel 297x353x3mm</p>
				
<p>⑬</p>	<p>⑯</p>	<p>⑰</p>	<p>⑱</p>	<p>⑲</p>
<p>x4</p>	<p>x1</p>	<p>x3</p>	<p>x4</p>	<p>x1</p>
<p>small door panel 268x339x15mm</p>	<p>lower left side panel 470x397x15mm</p>	<p>lower partition 394x394x15mm</p>	<p>lower back panel 401x362x3mm</p>	<p>lower right side panel 470x397x15mm</p>
				
<p>⑳</p>				
<p>x4</p>				
<p>long door panel 1073x339x15mm</p>				
<p>Hardware kit x1</p>				

Assembly Instructions

Step 1

x4



Q



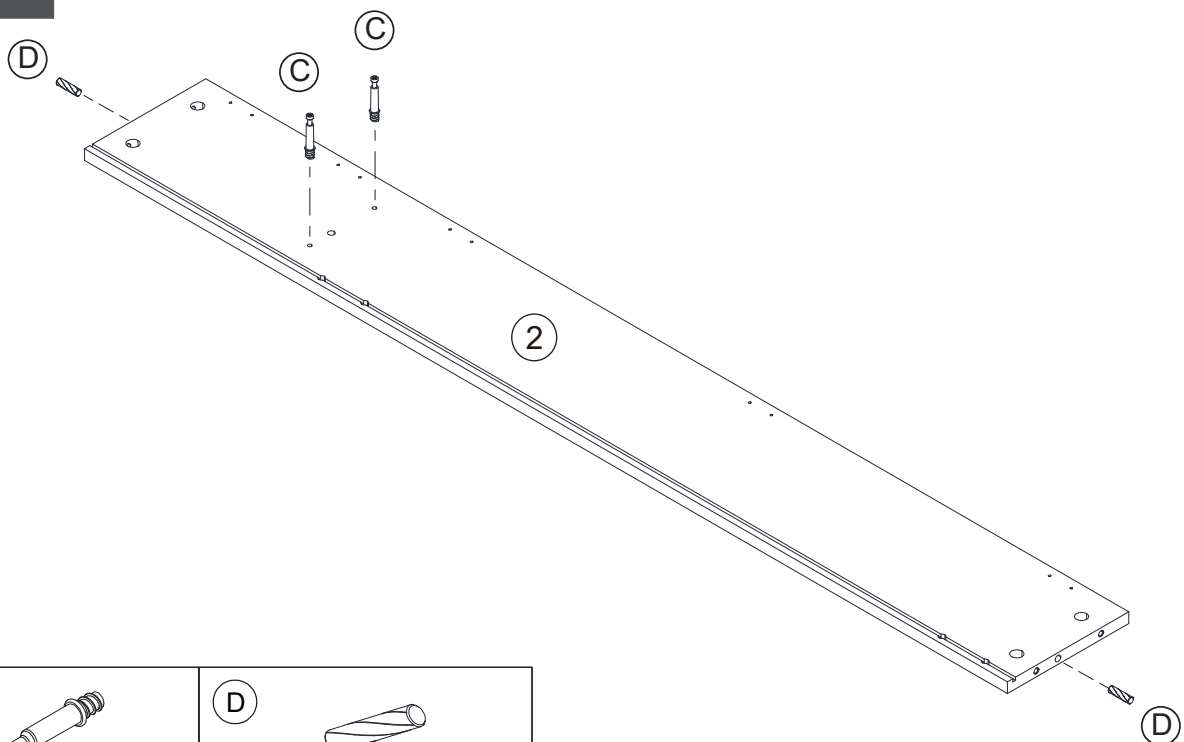
3*16mm Screw x 8

B

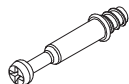


Hook x 4

Step 2



C



Cam Bolt x 2

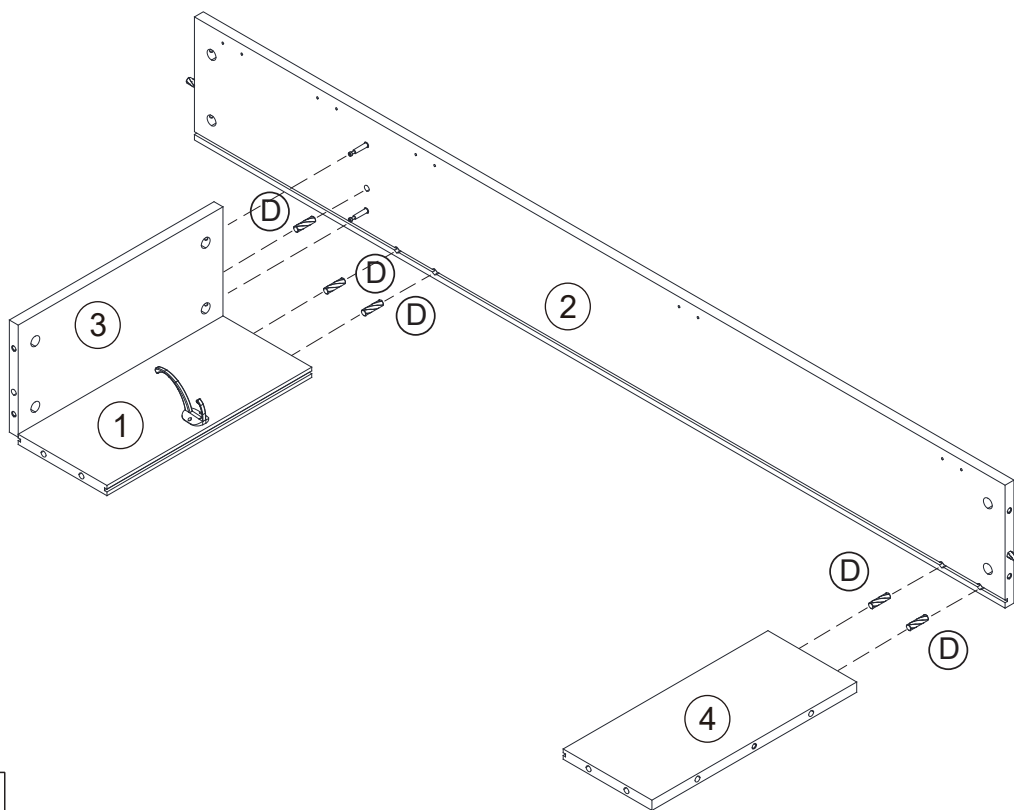
D



6*30mm Dowel x 2

Assembly Instructions

Step 3

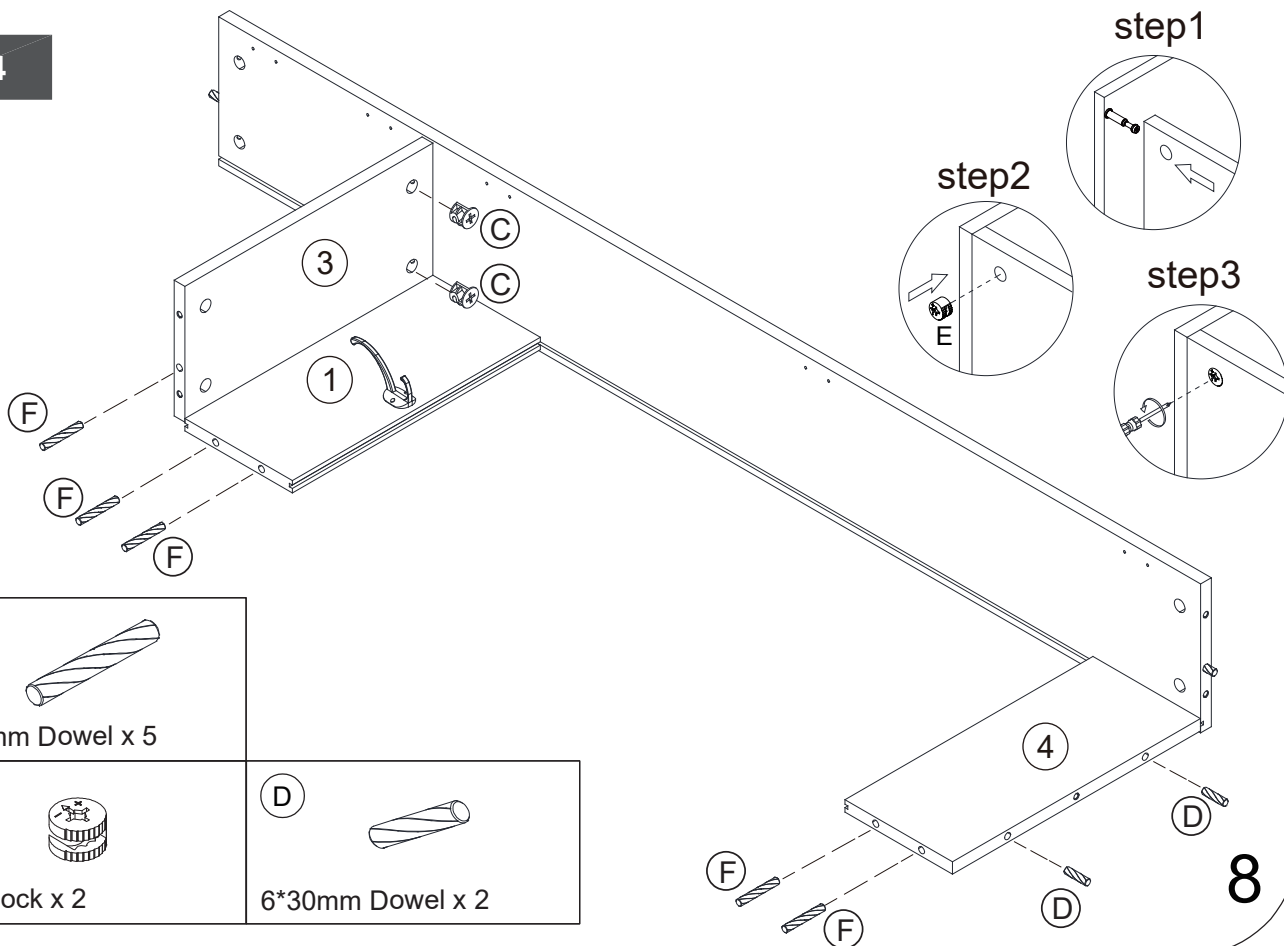


D

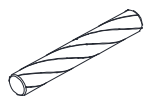


6*30mm Dowel x 5

Step 4



F



6*50mm Dowel x 5

E



Cam lock x 2

D

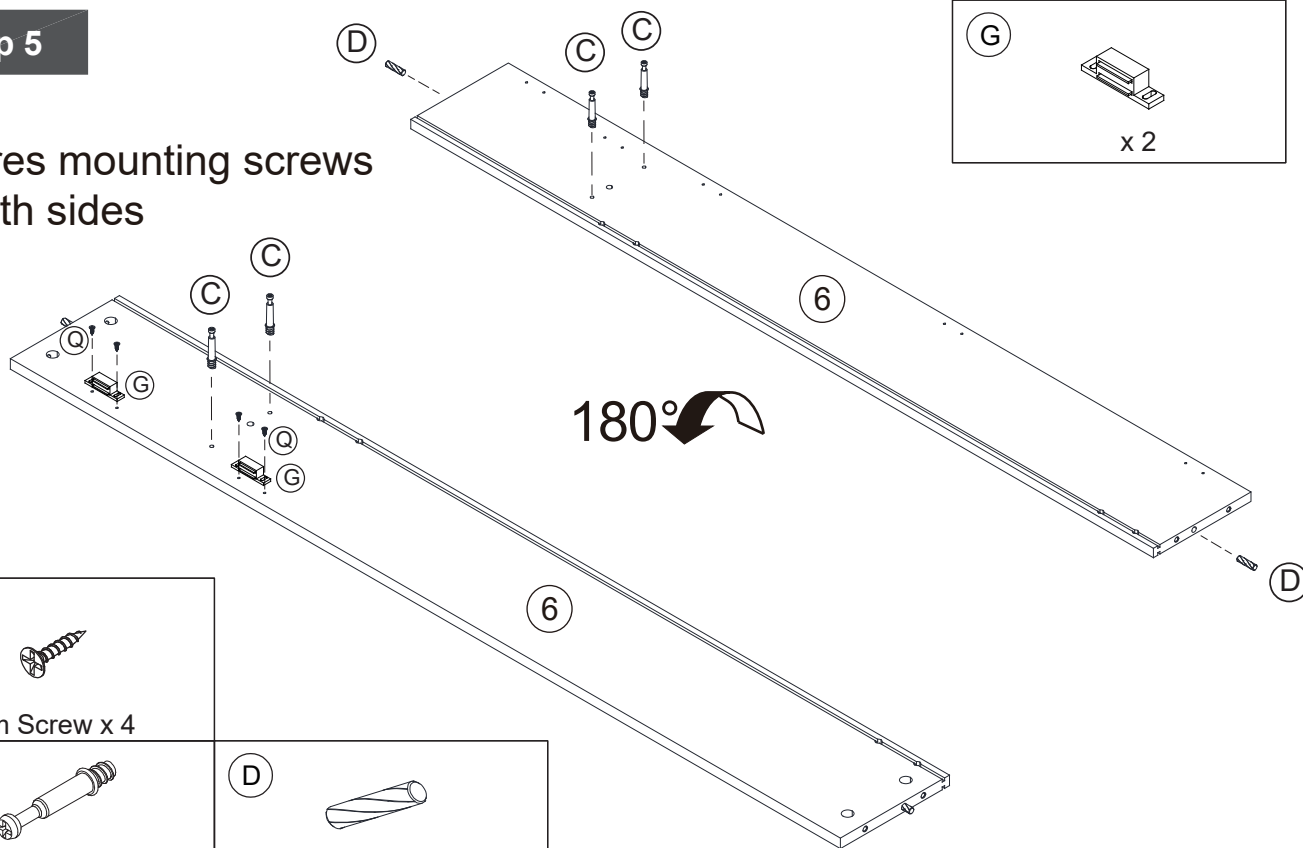


6*30mm Dowel x 2

Assembly Instructions

Step 5

Part 6
requires mounting screws
on both sides

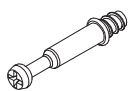


Q



3*16mm Screw x 4

C



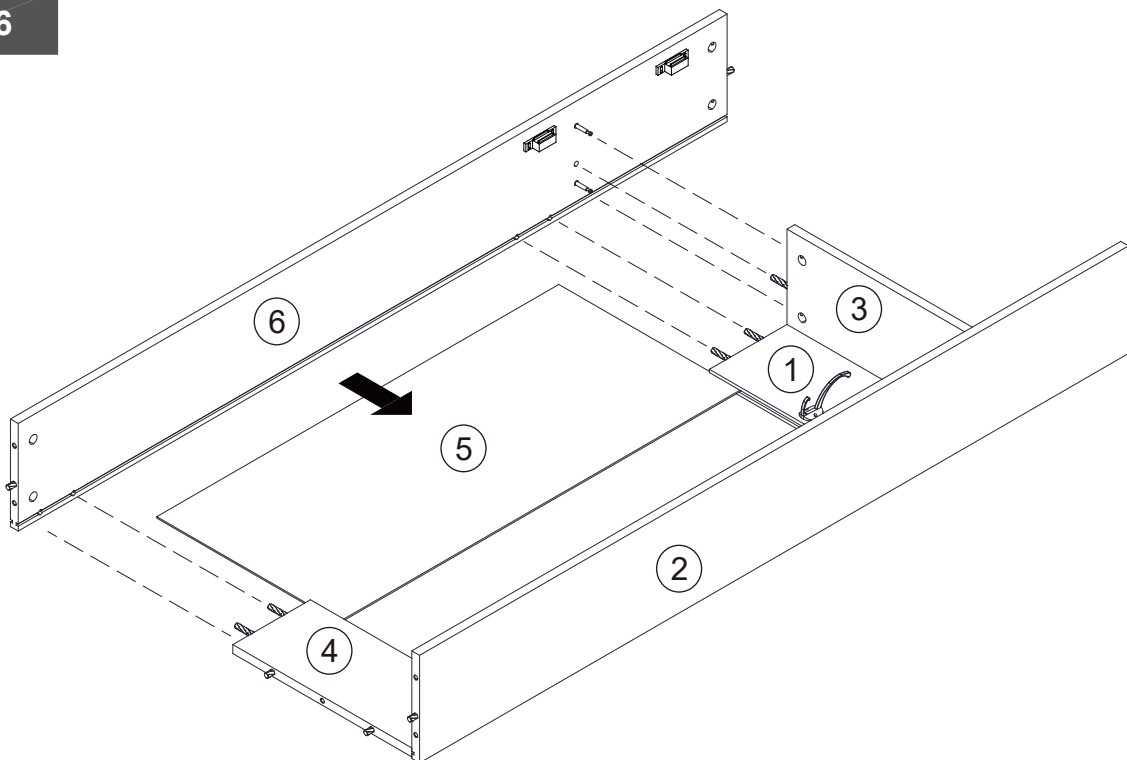
Cam Bolt x 4

D



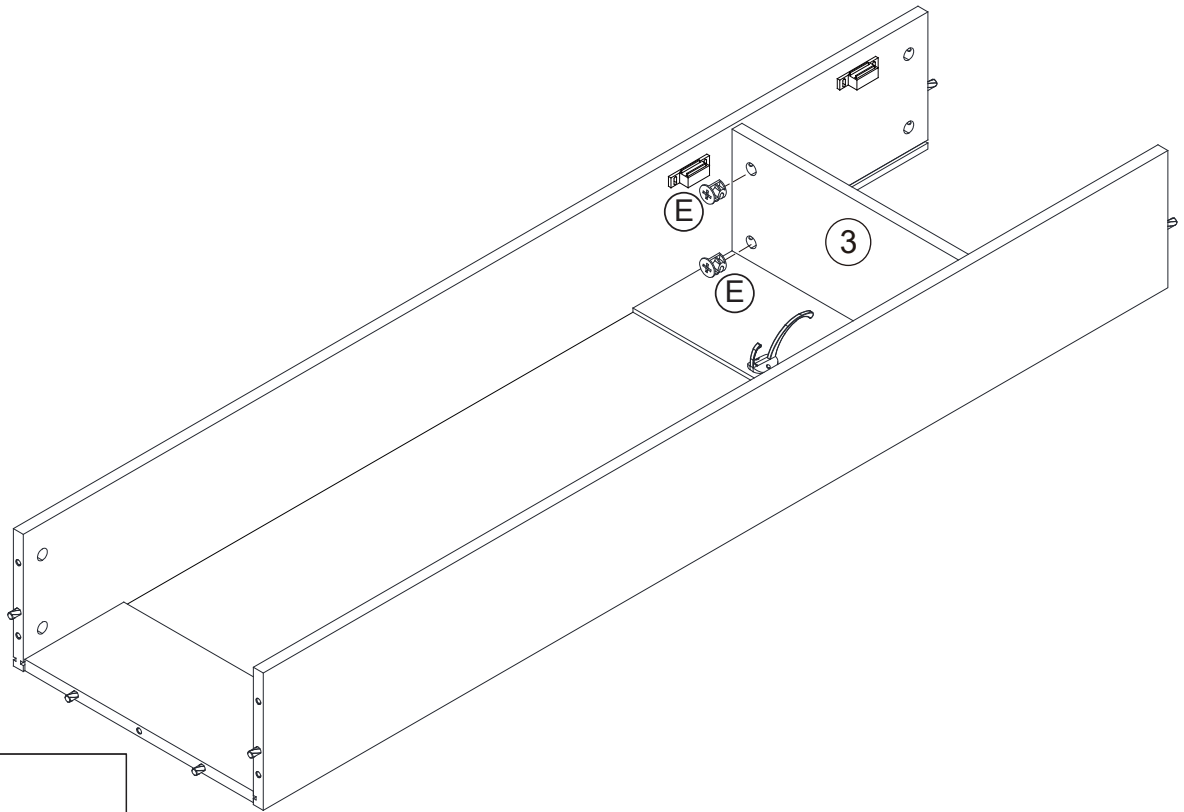
6*30mm Dowel x 2

Step 6



Assembly Instructions

Step 7

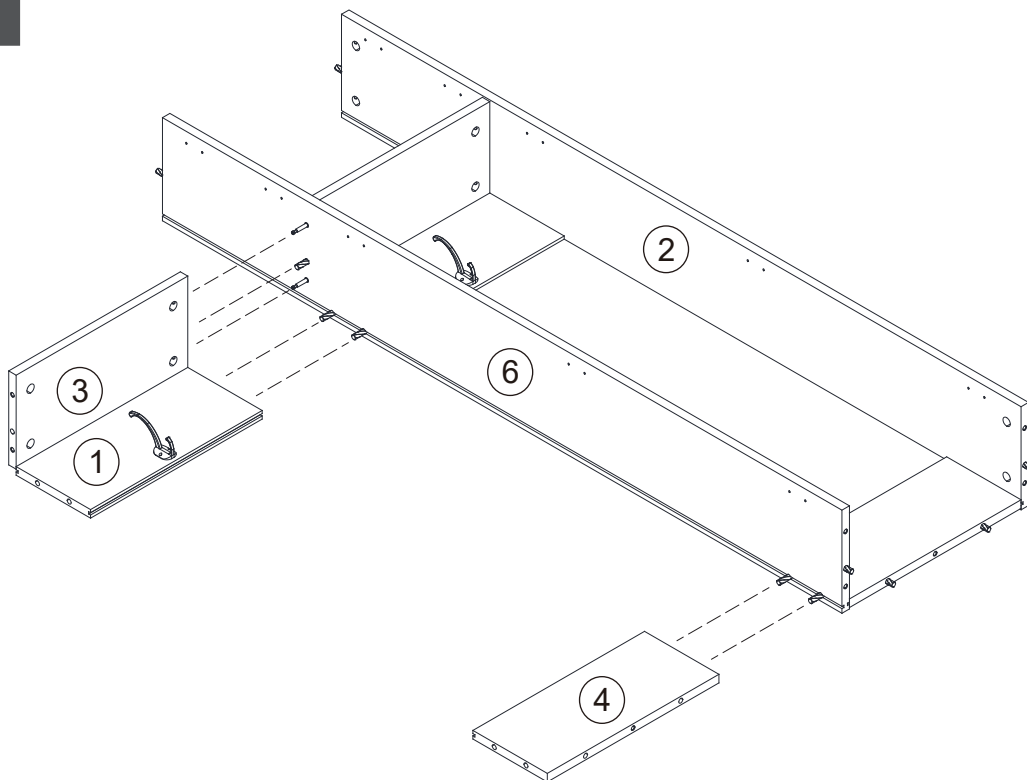


E



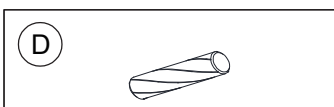
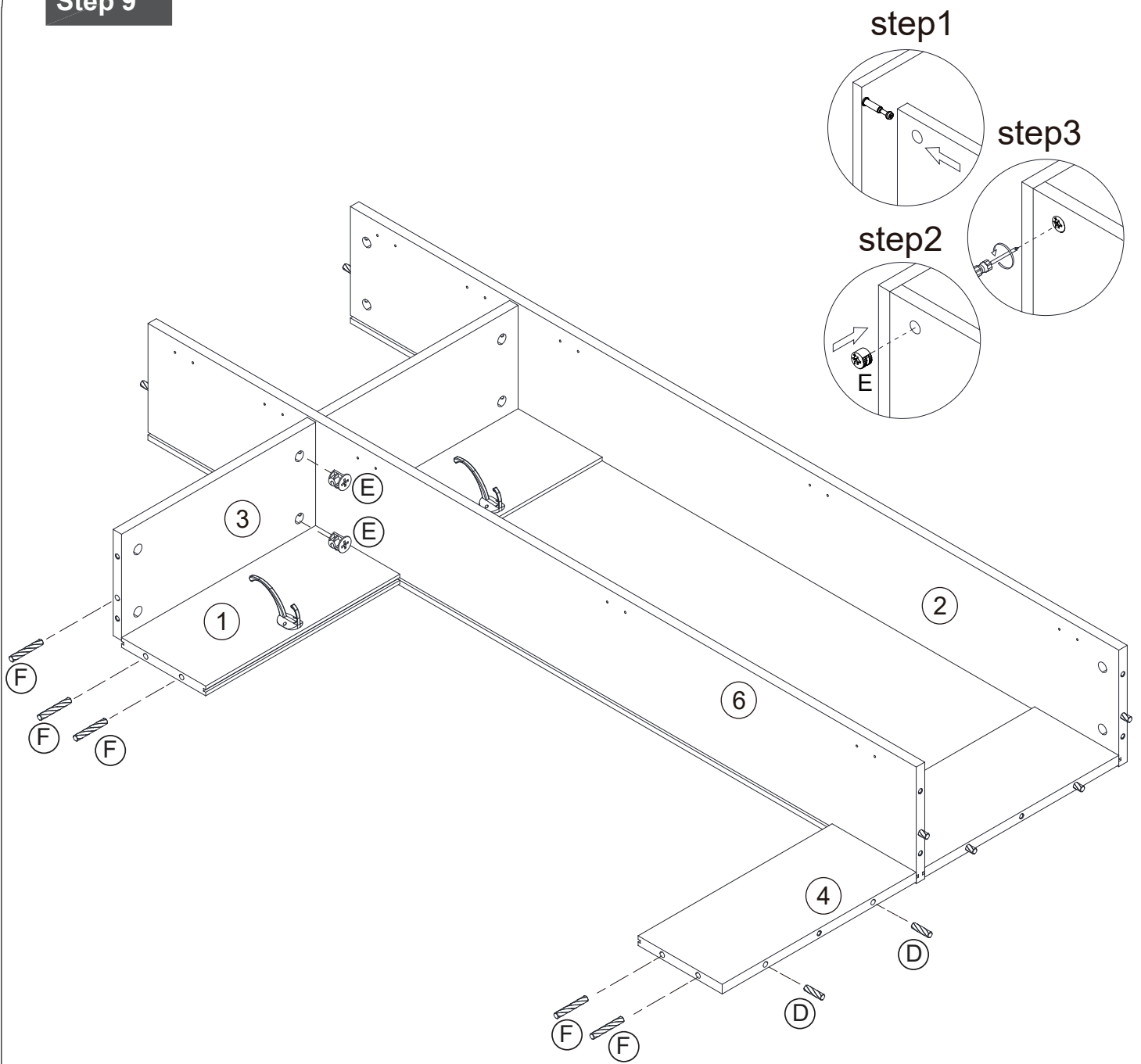
Cam lock x 2

Step 8

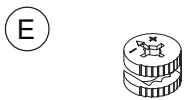


Assembly Instructions

Step 9



6*30mm Dowel x 2



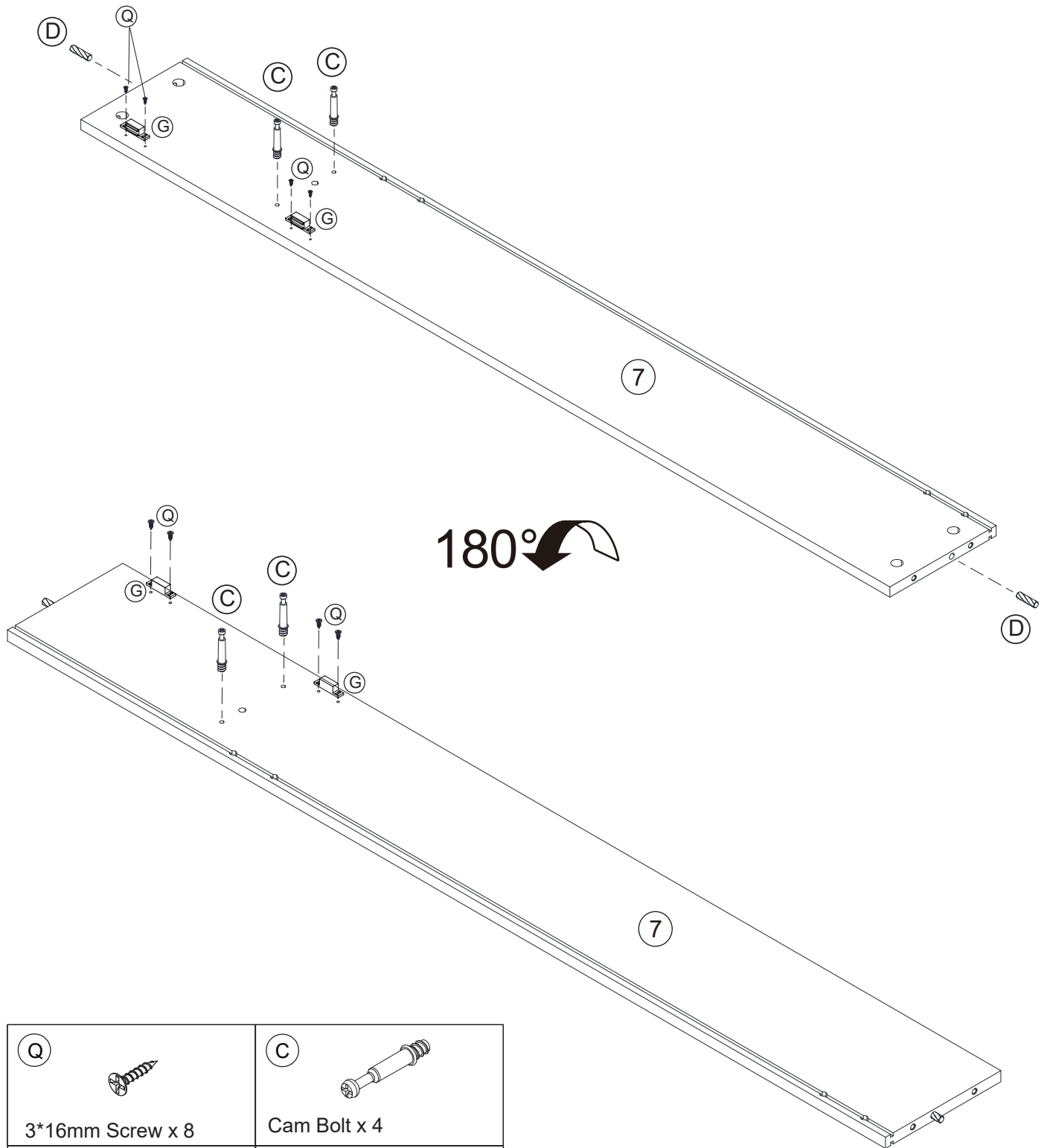
Cam lock x 2


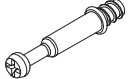

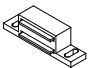


6*50mm Dowel x 5

Assembly Instructions

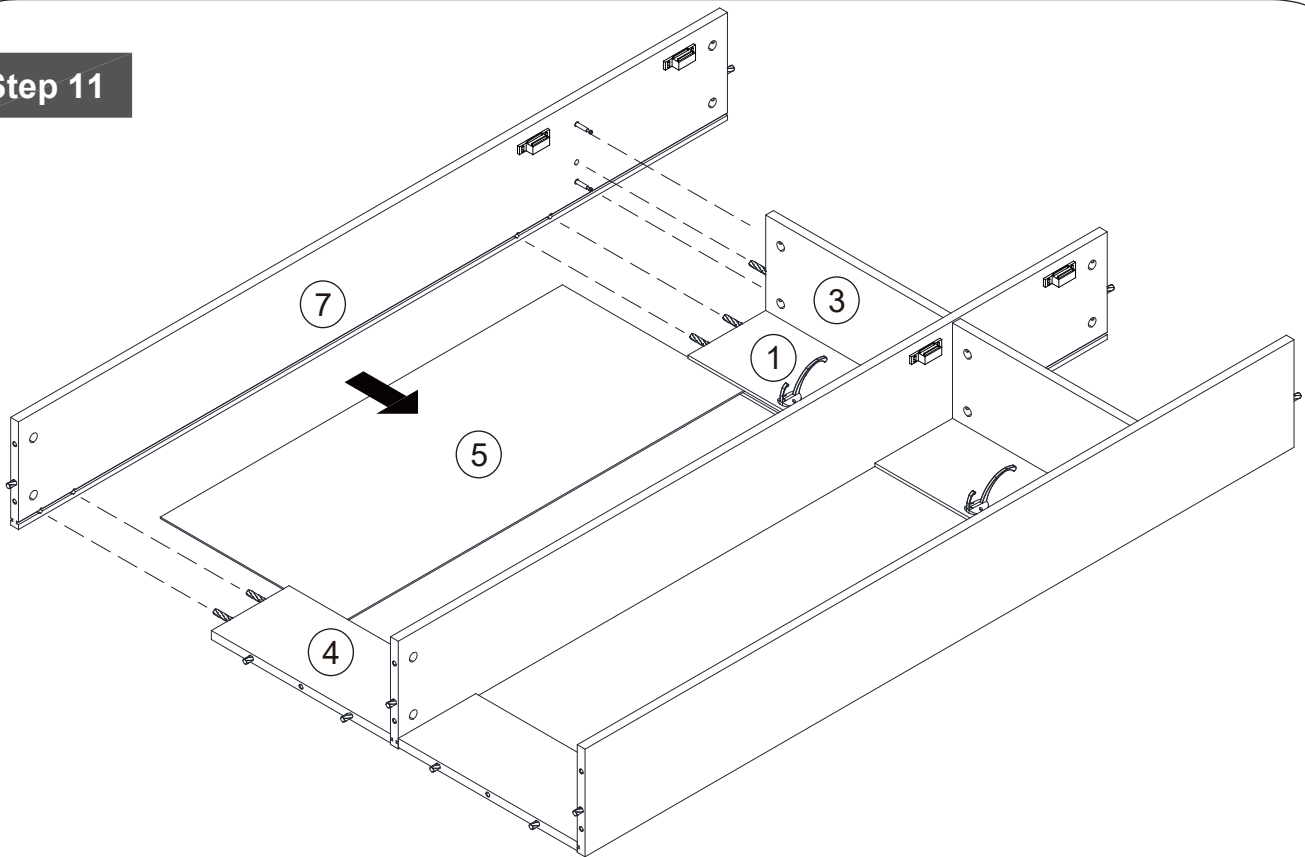
Step 10



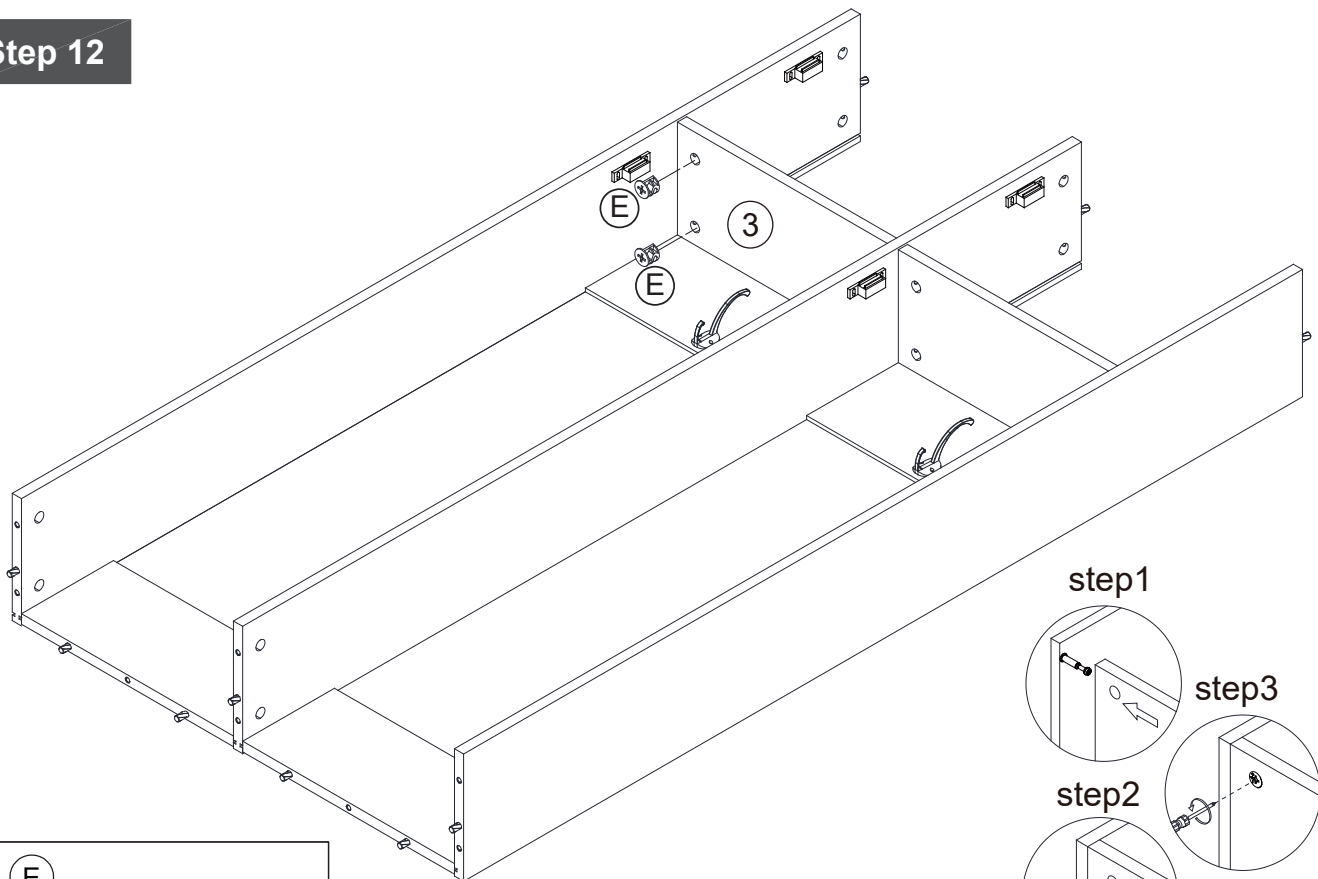
<p>(Q)</p>  <p>3*16mm Screw x 8</p>	<p>(C)</p>  <p>Cam Bolt x 4</p>
<p>(D)</p>  <p>6*30mm Dowel x 2</p>	<p>(G)</p>  <p>x 4</p>

Assembly Instructions

Step 11



Step 12

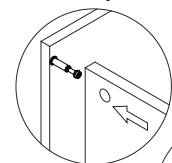


E

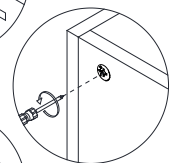


Cam lock x 2

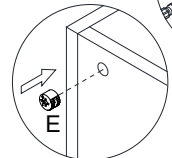
step1



step3

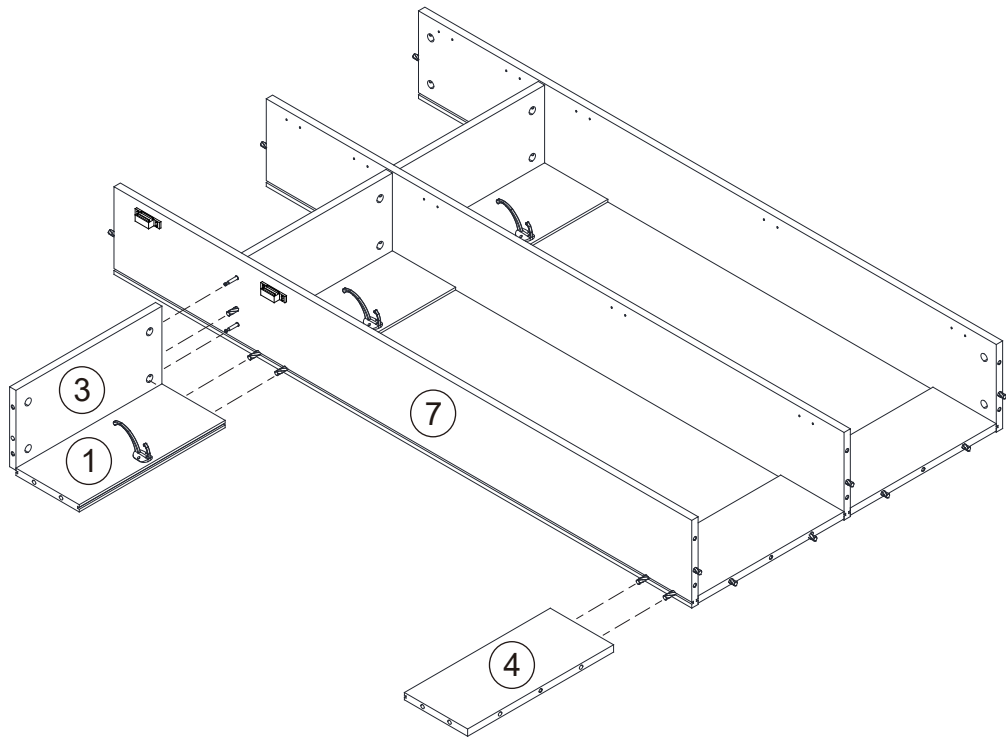


step2

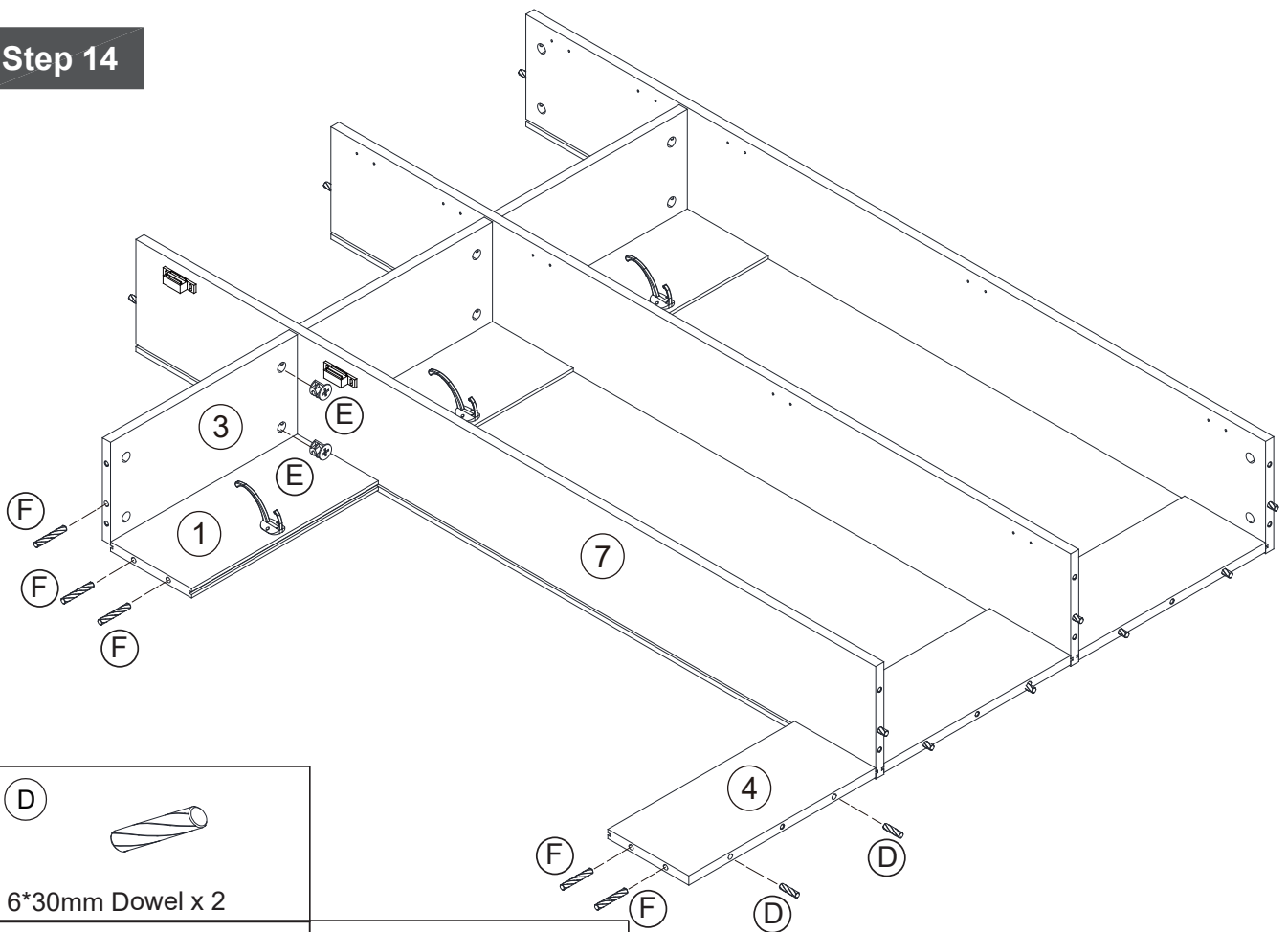





Assembly Instructions

Step 13



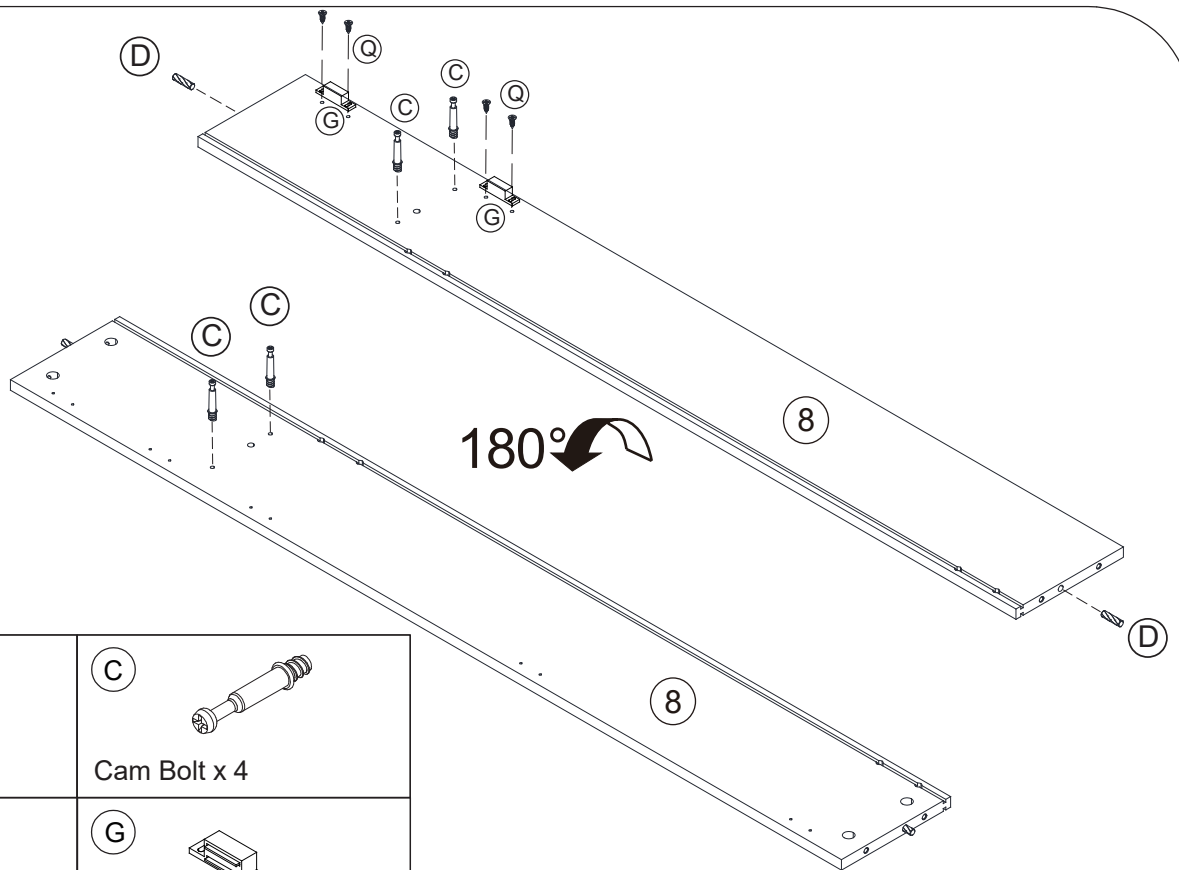
Step 14



 6*30mm Dowel x 2	 6*50mm Dowel x 5
 Cam lock x 2	

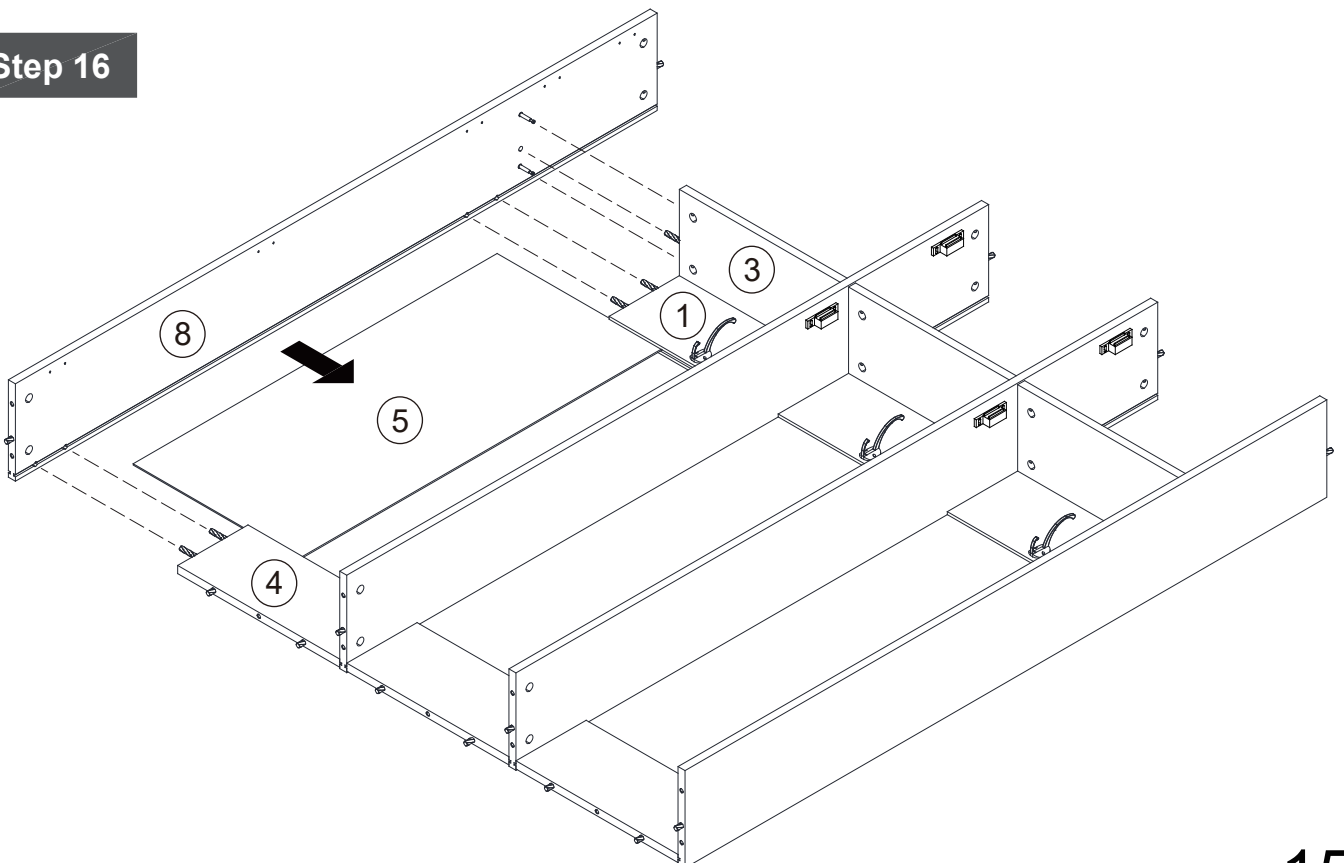
Assembly Instructions

Step 15



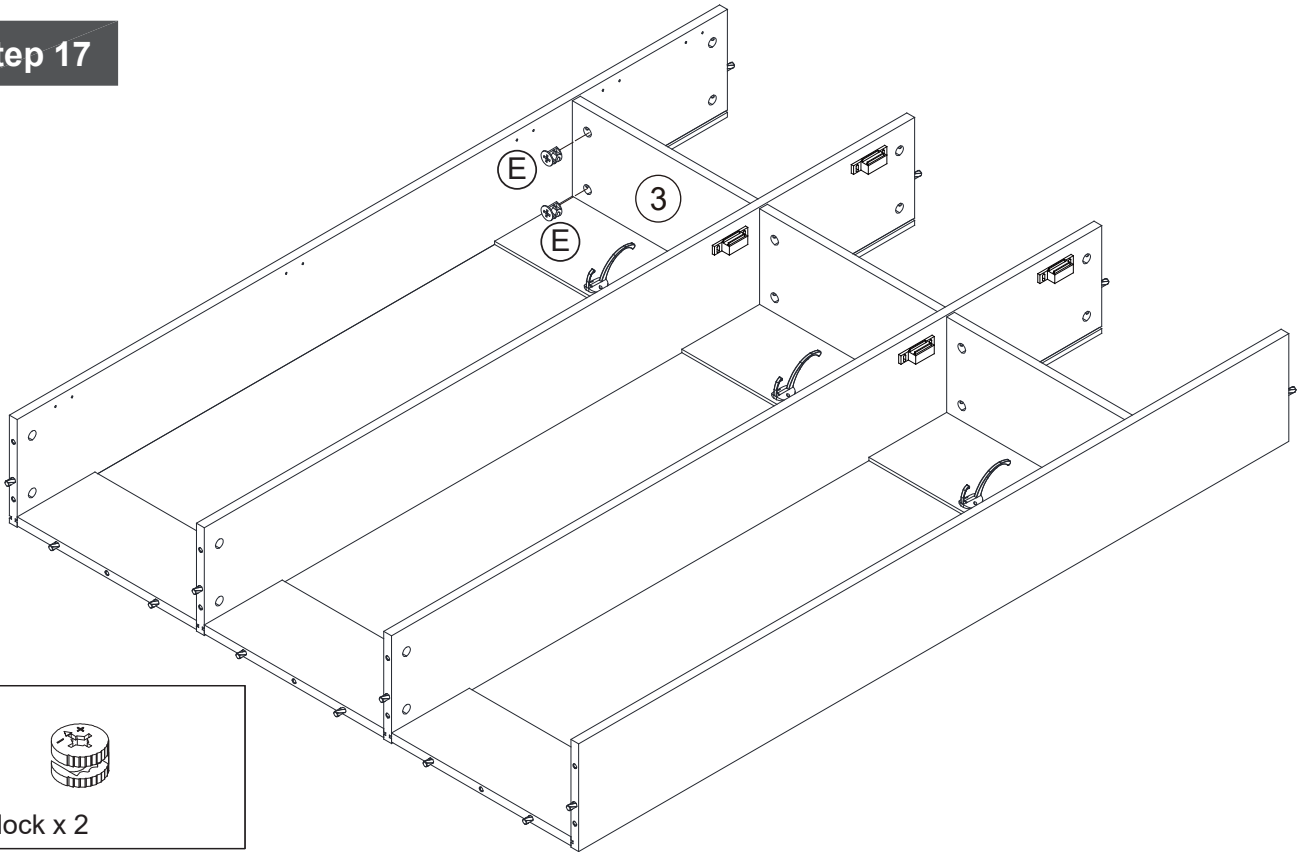
 3*16mm Screw x 4	 Cam Bolt x 4
 6*30mm Dowel x 2	 x 2

Step 16



Assembly Instructions

Step 17

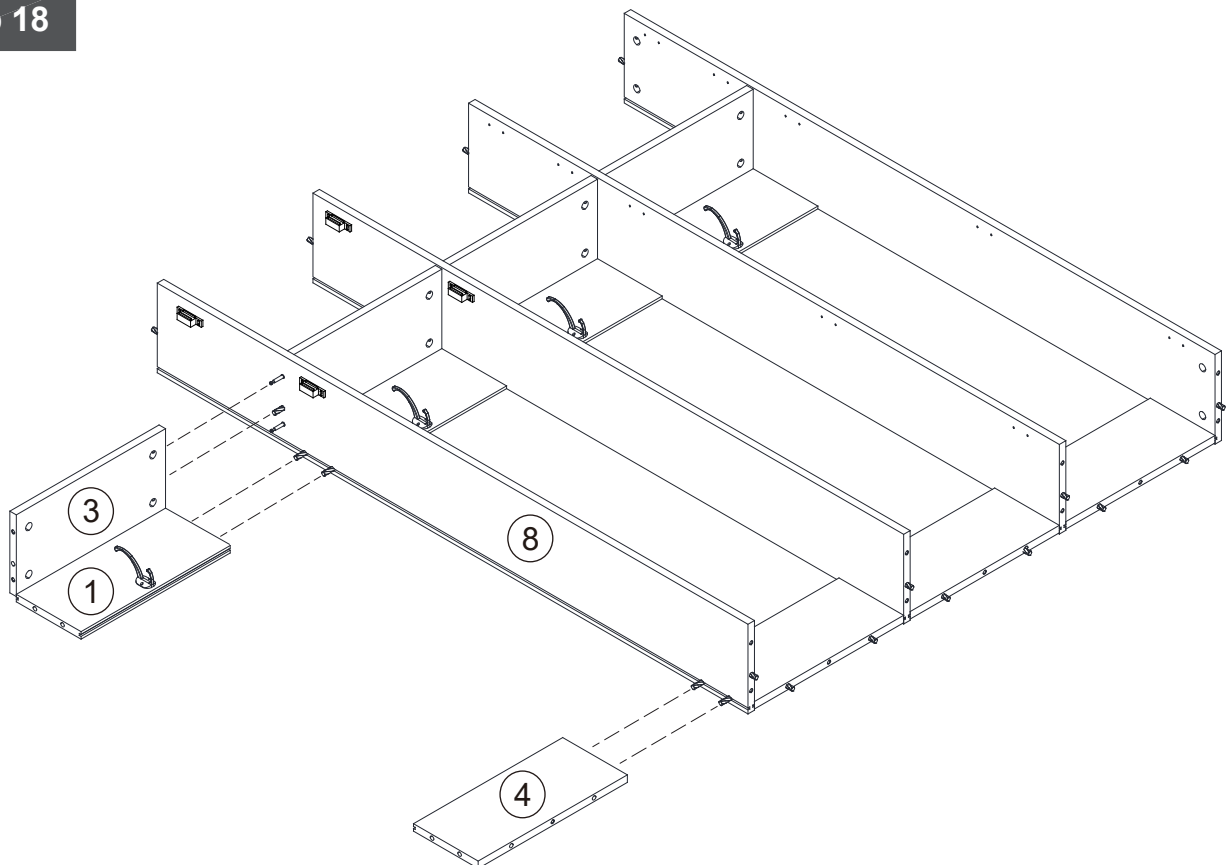


E



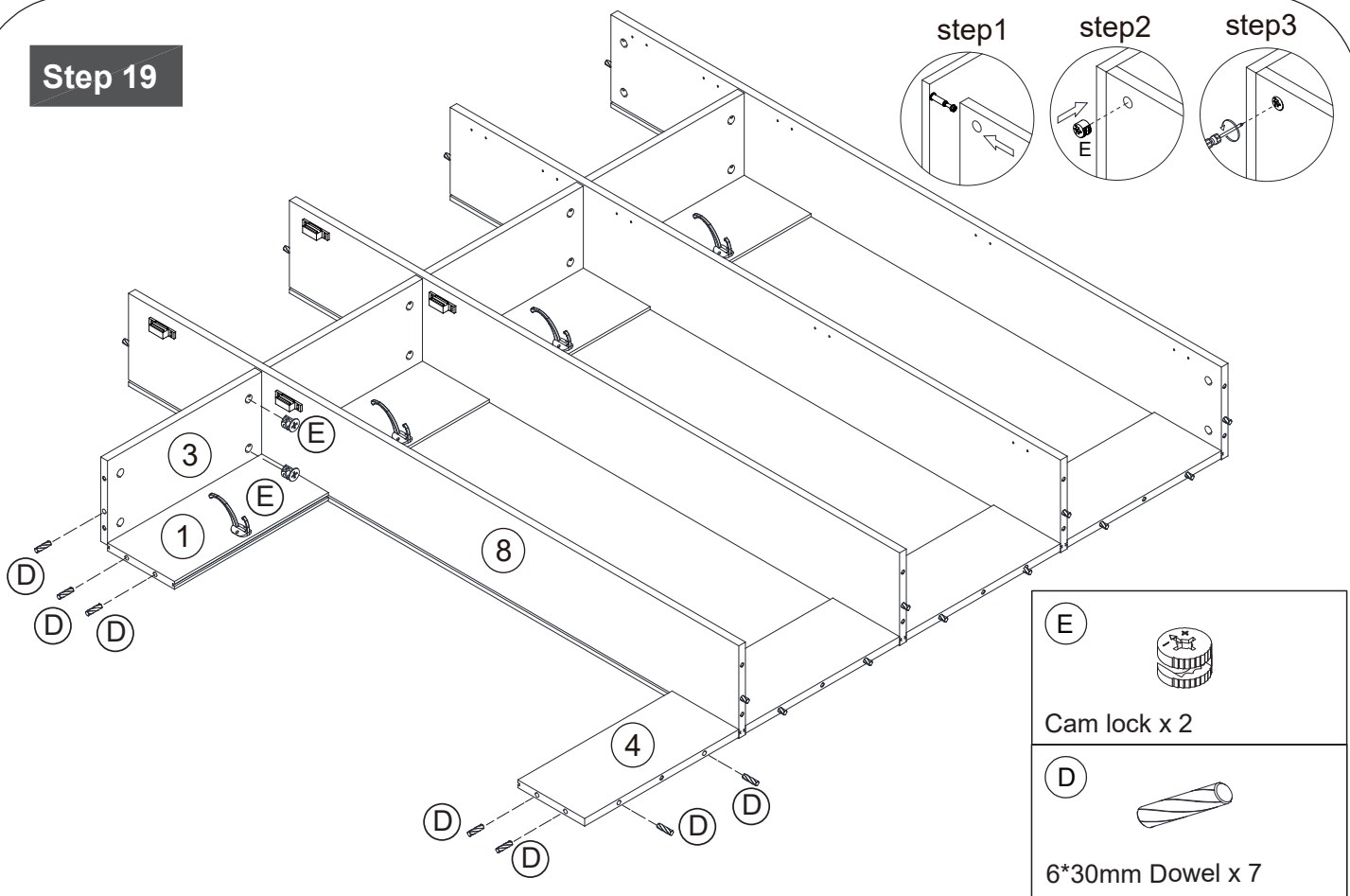
Cam lock x 2

Step 18

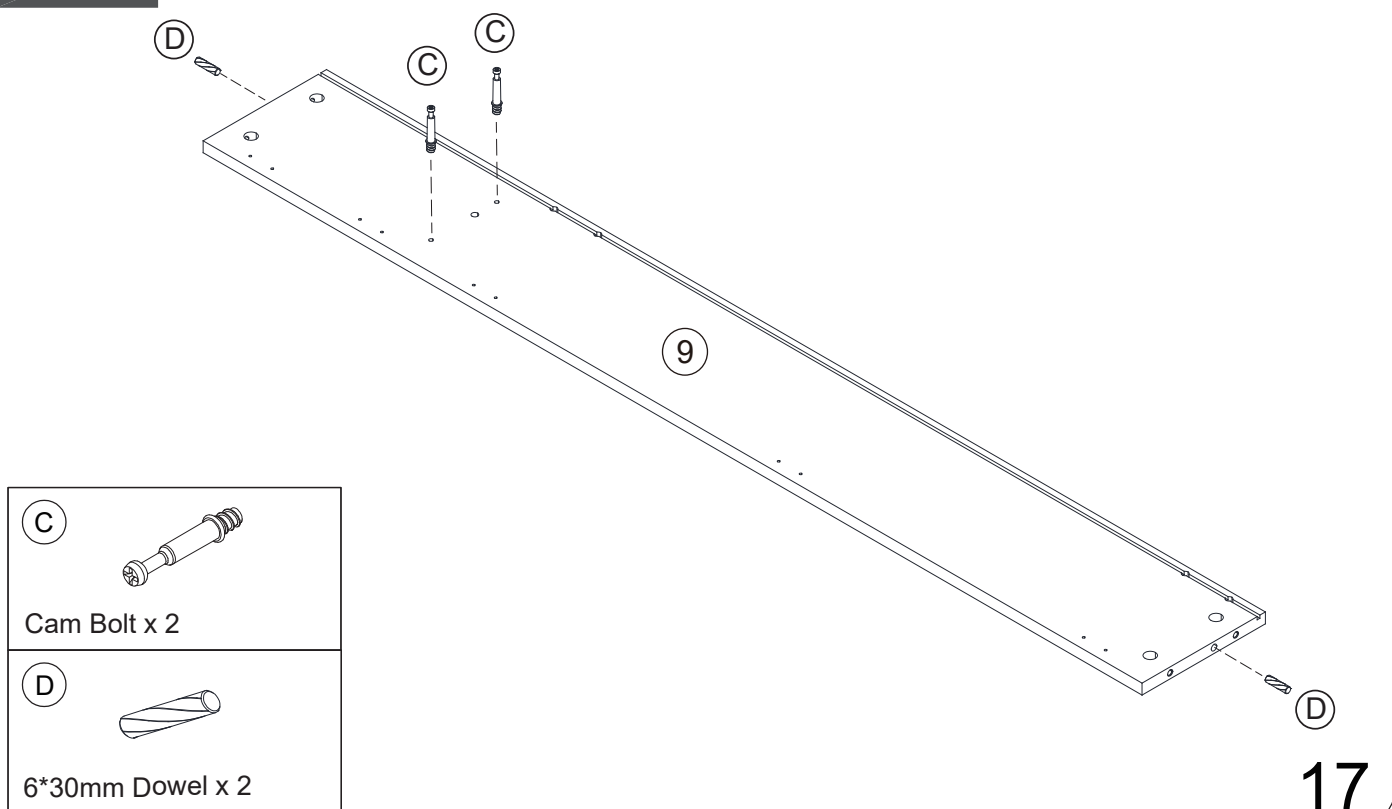


Assembly Instructions

Step 19

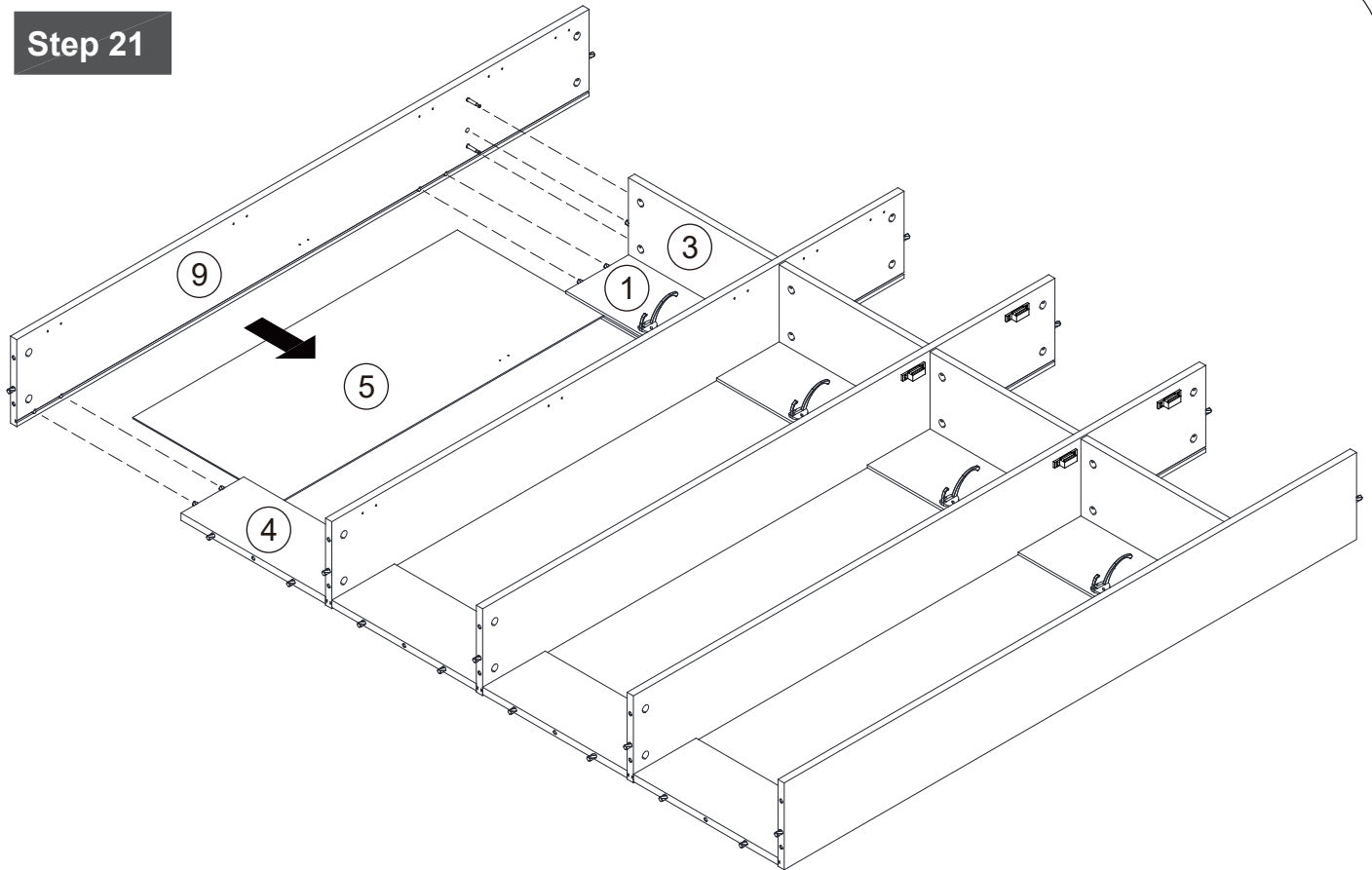


Step 20

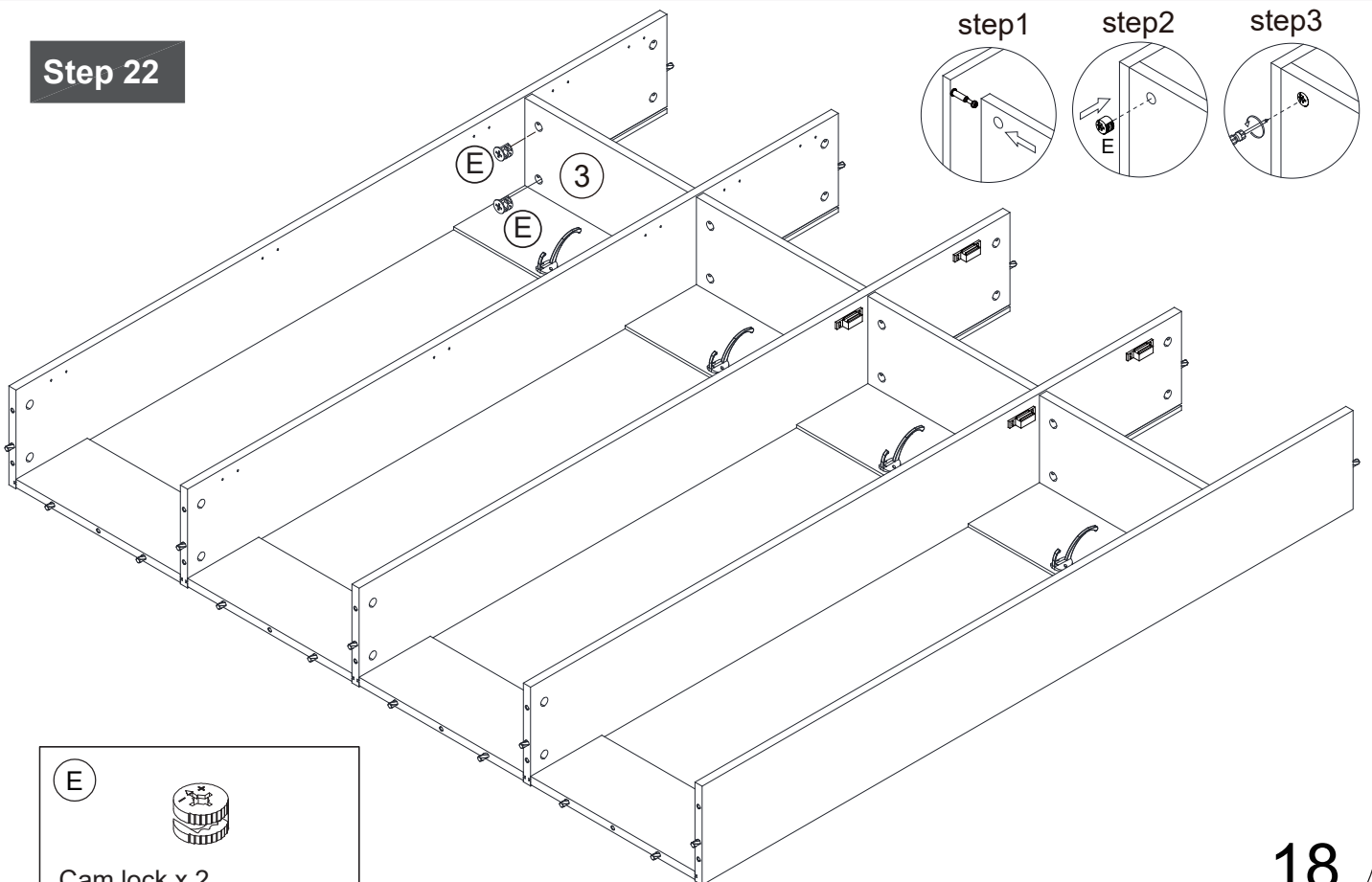


Assembly Instructions

Step 21



Step 22



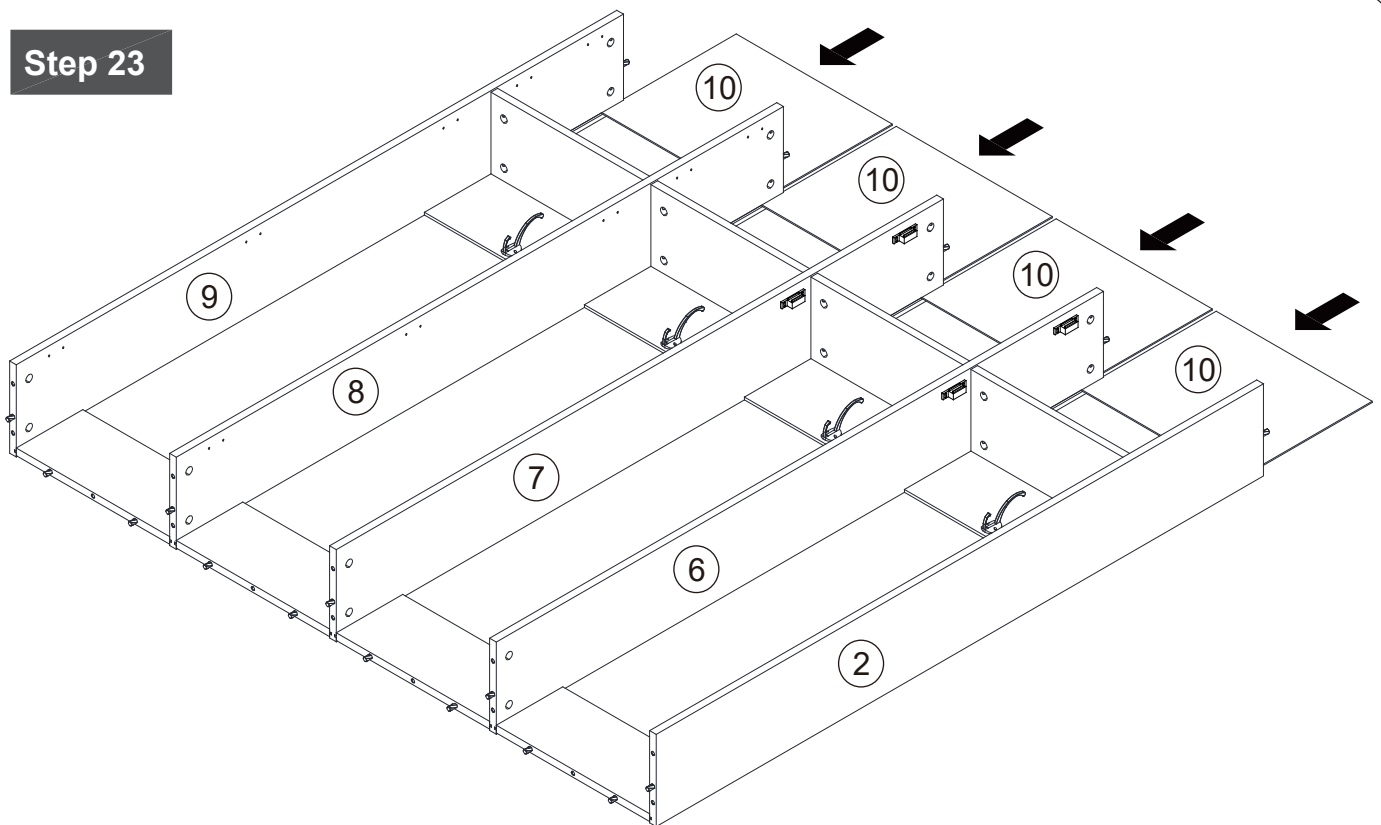
E



Cam lock x 2

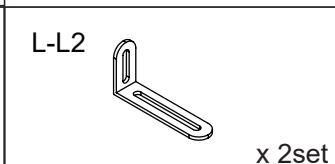
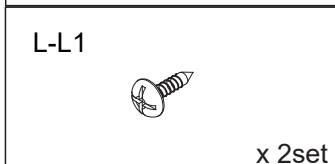
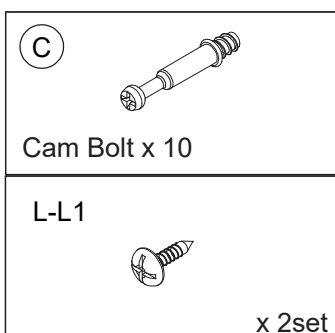
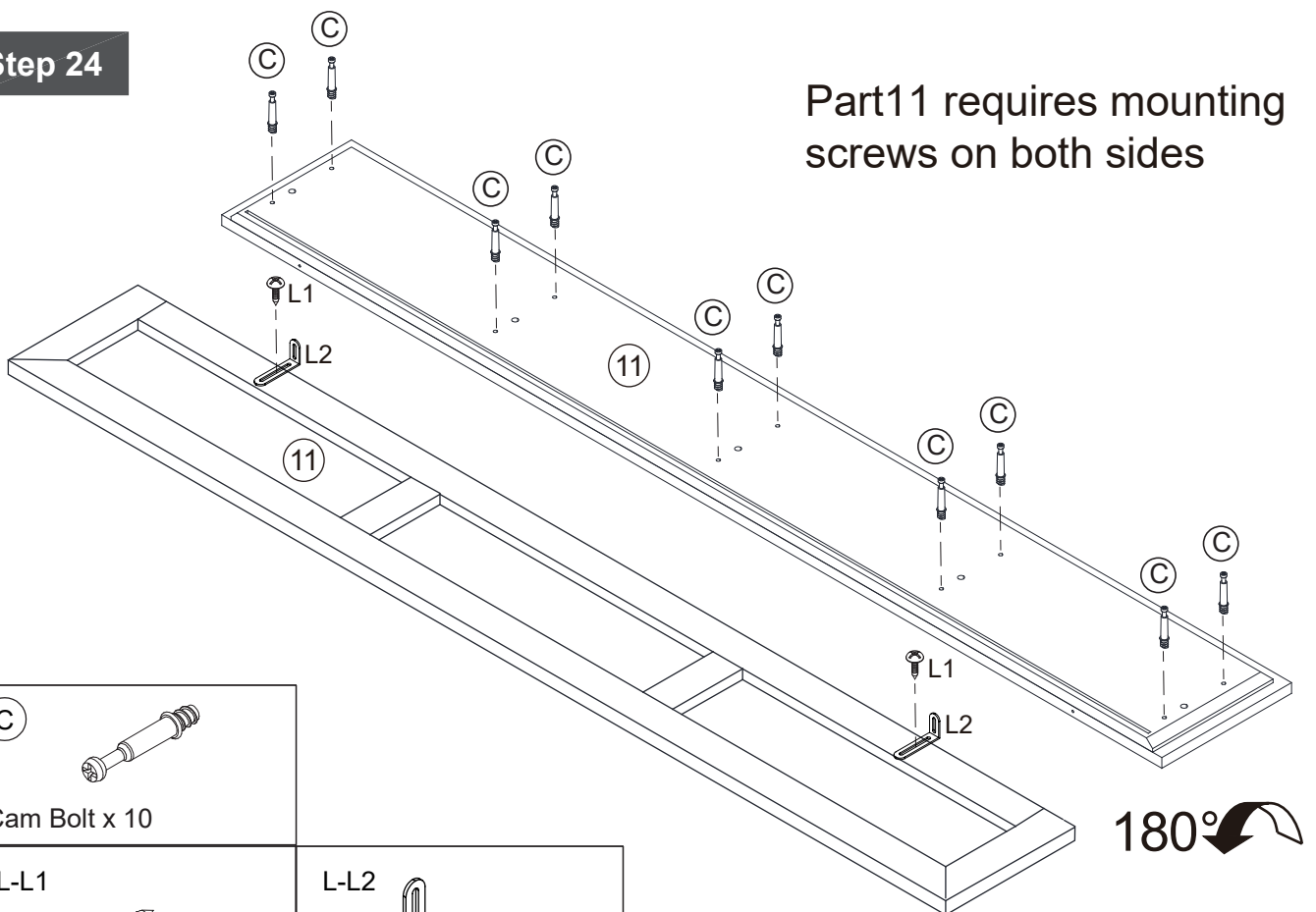
Assembly Instructions

Step 23



Step 24

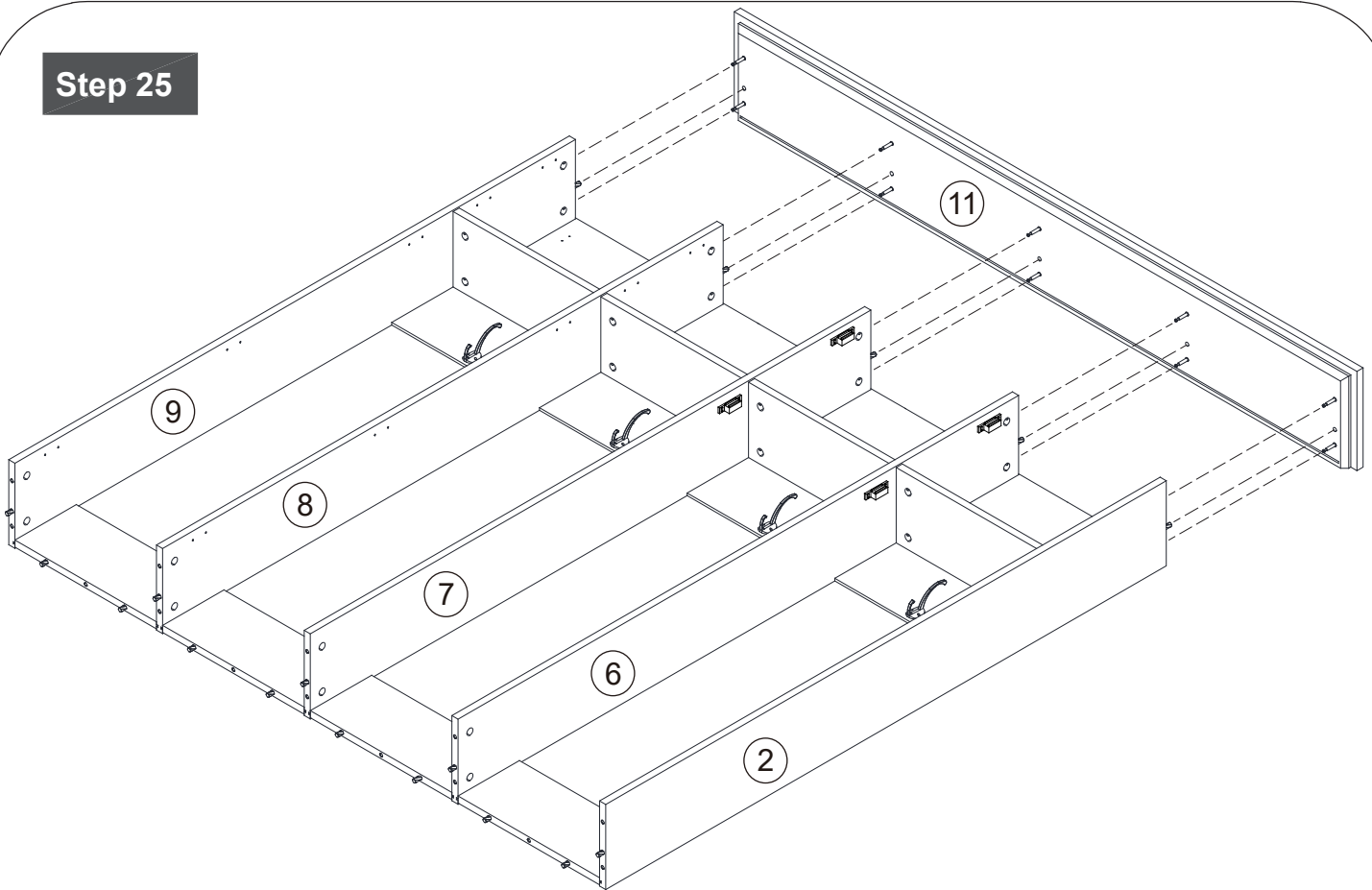
Part 11 requires mounting screws on both sides



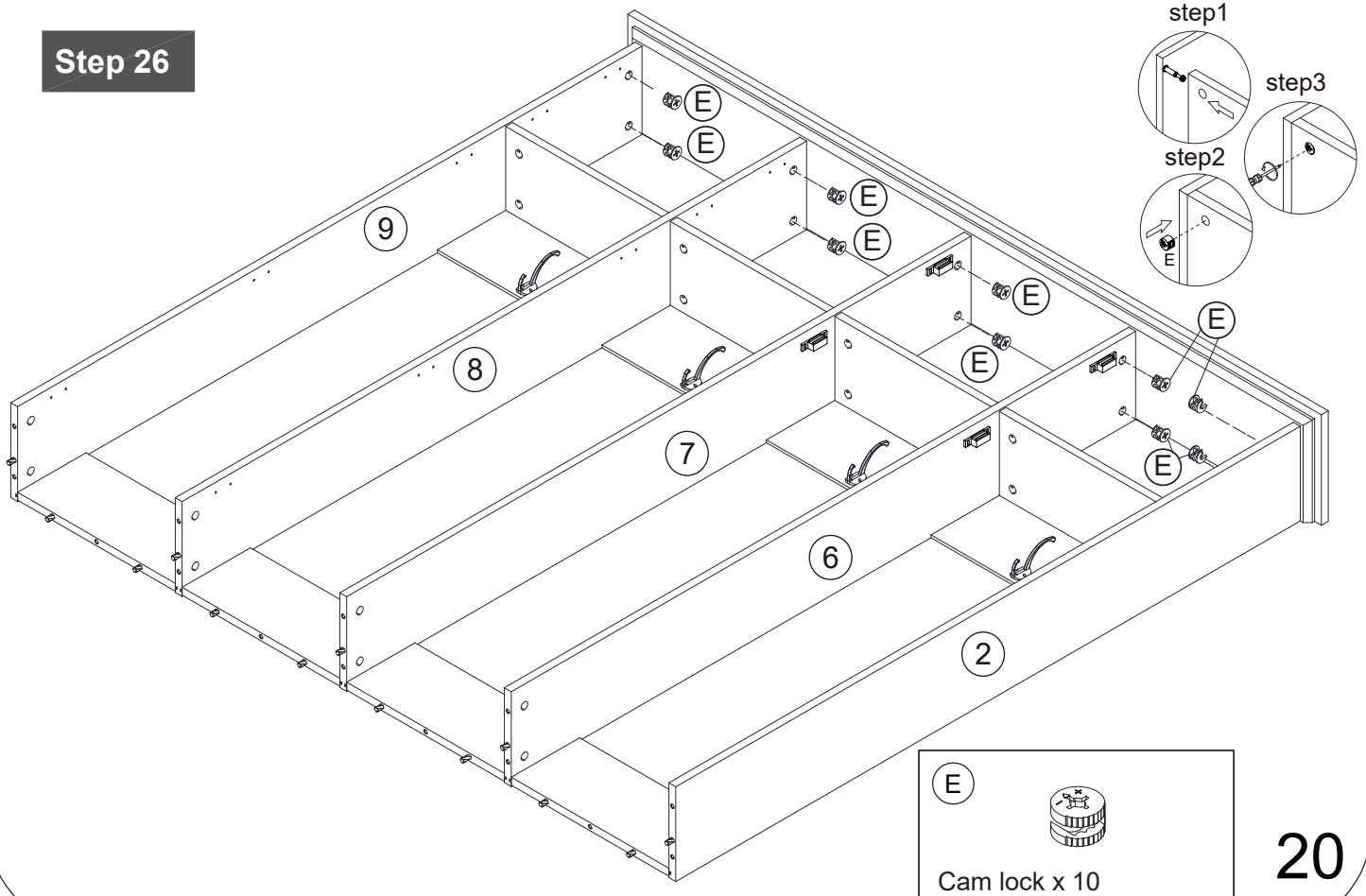
180°

Assembly Instructions

Step 25

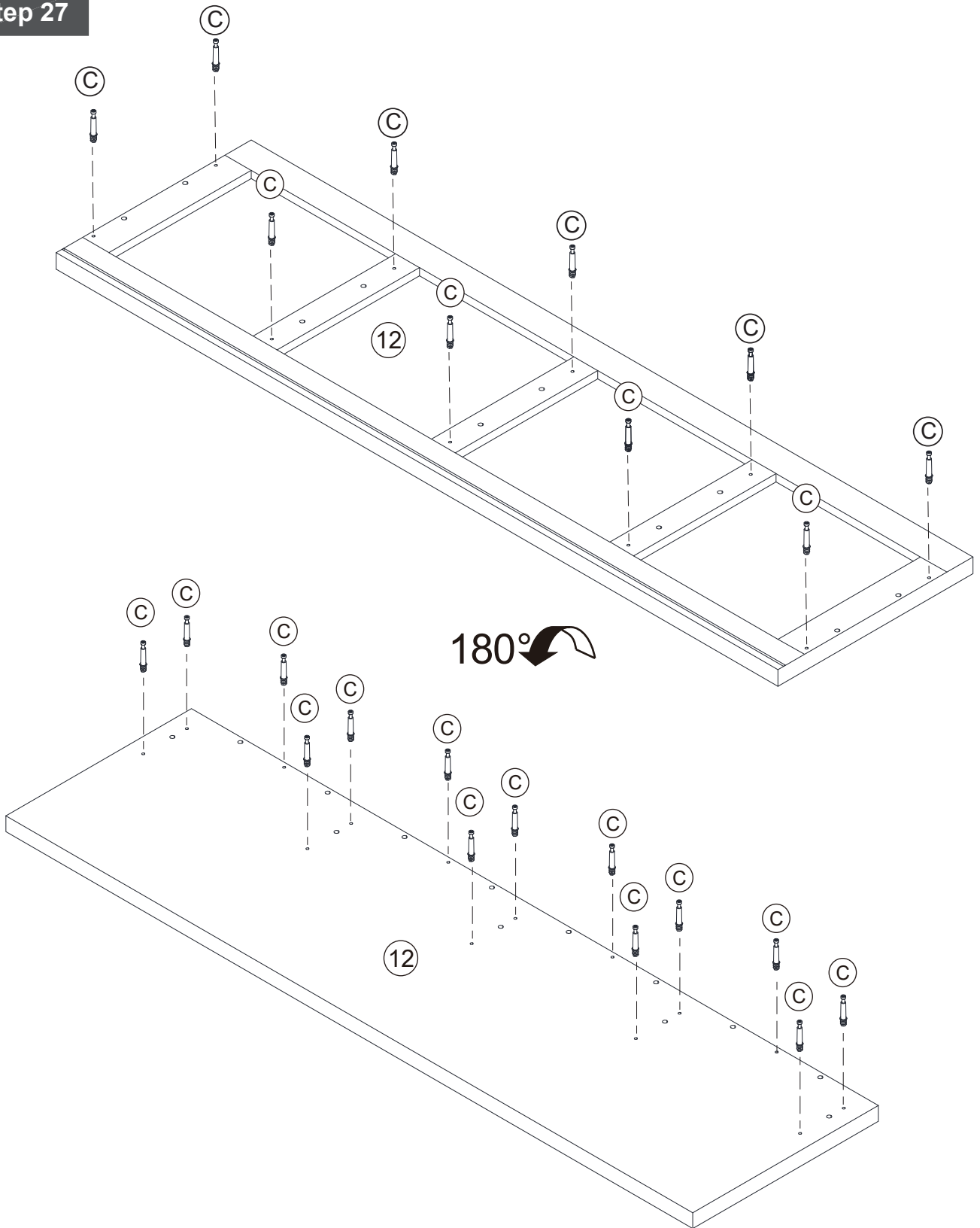


Step 26

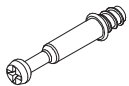


Assembly Instructions

Step 27



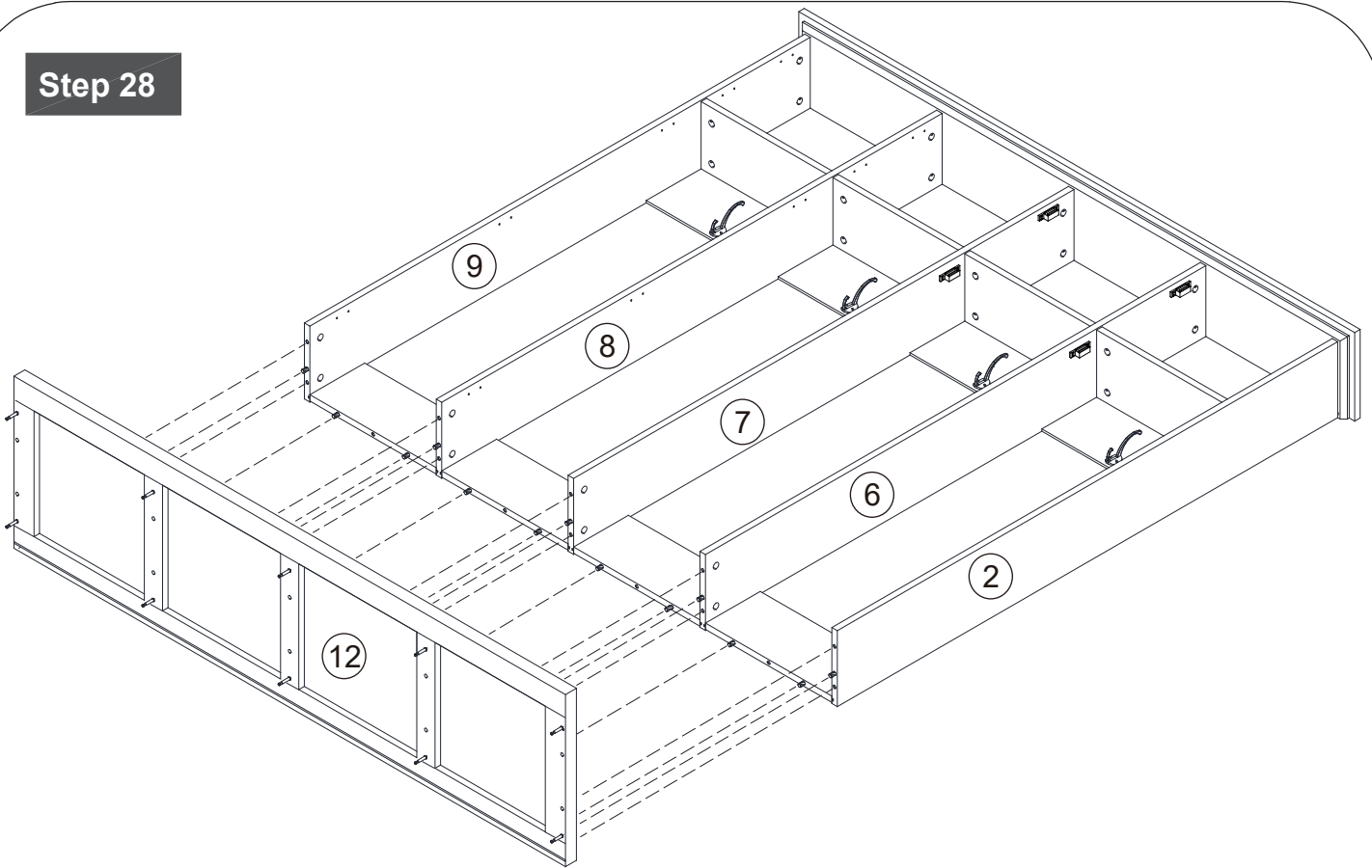
C



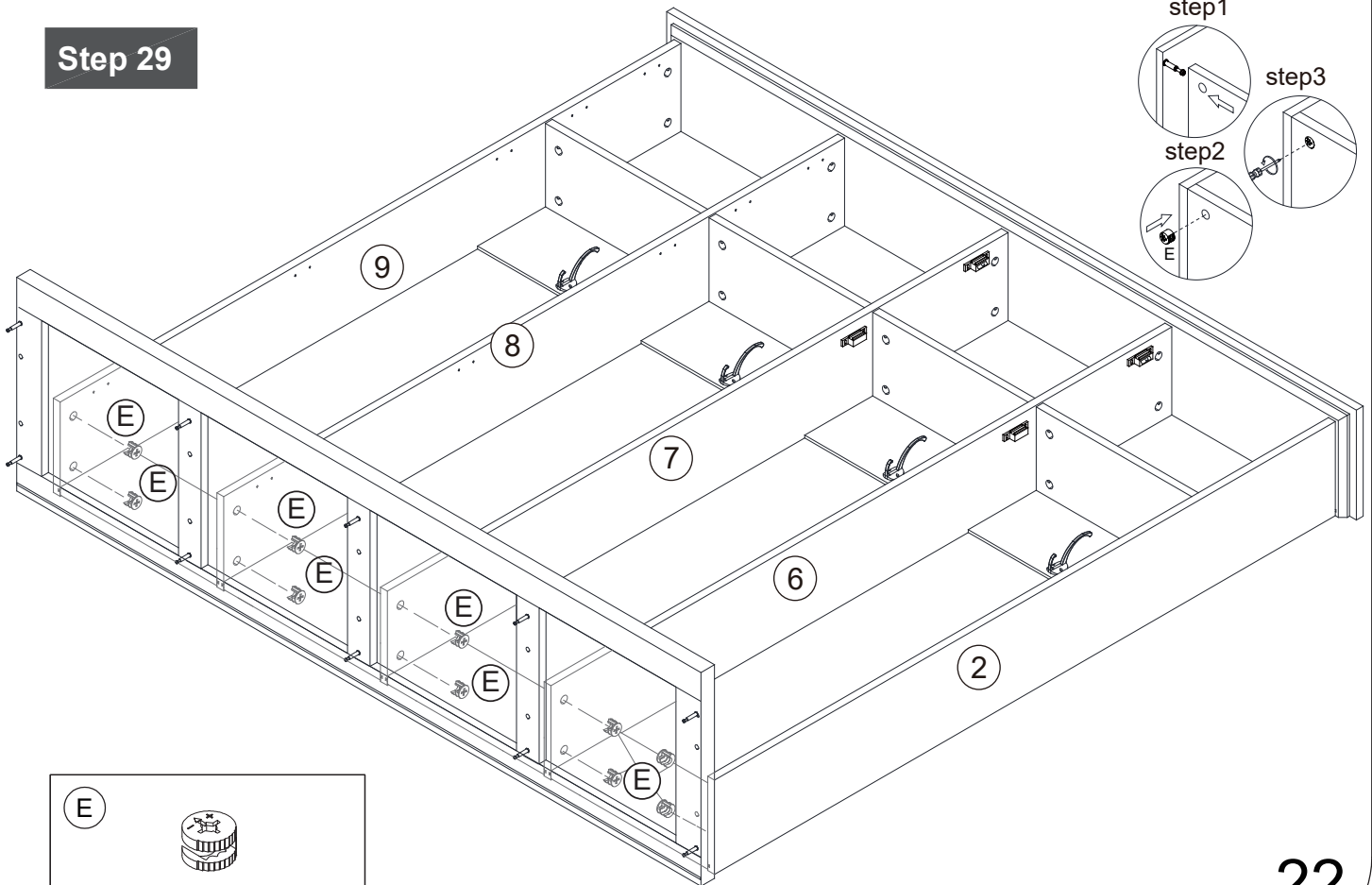
Cam Bolt x 24

Assembly Instructions

Step 28



Step 29



E

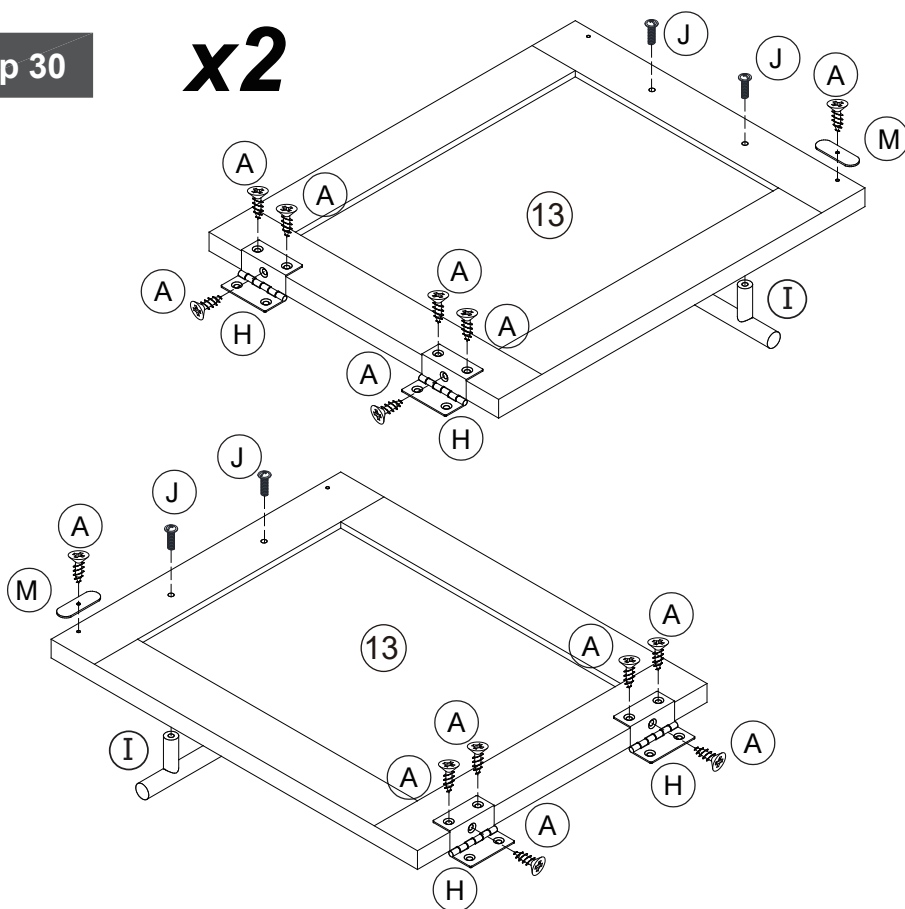


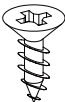
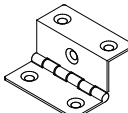
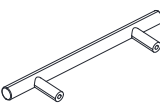

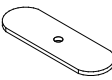
Cam lock x 10

Assembly Instructions

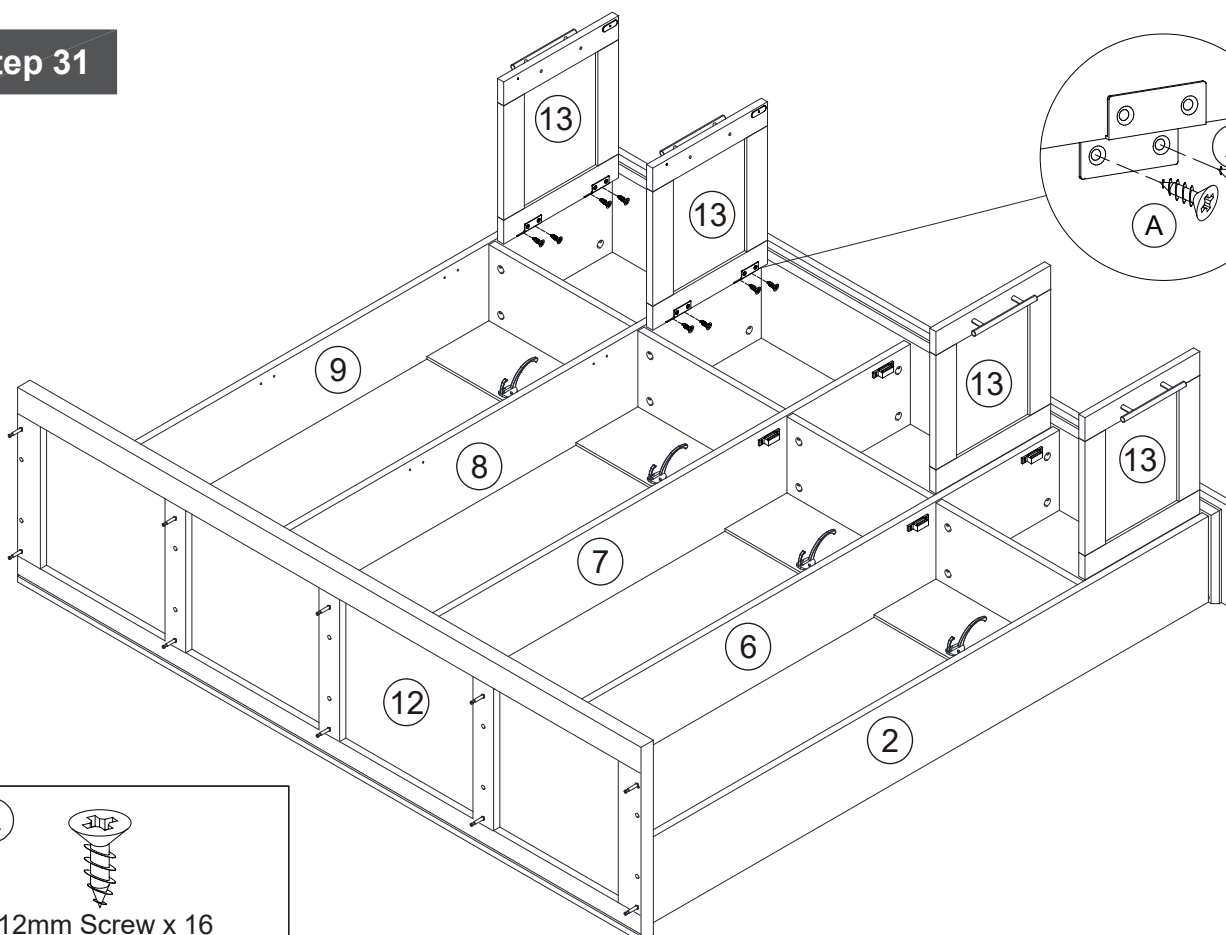
Step 30


x2



- (A)  3*12mm Screw x 28
- (H)  Triple fold hinge x 8
- (I)  Handle x 4
- (J)  4*20mm Screw x 8
- (M)  x 4

Step 31

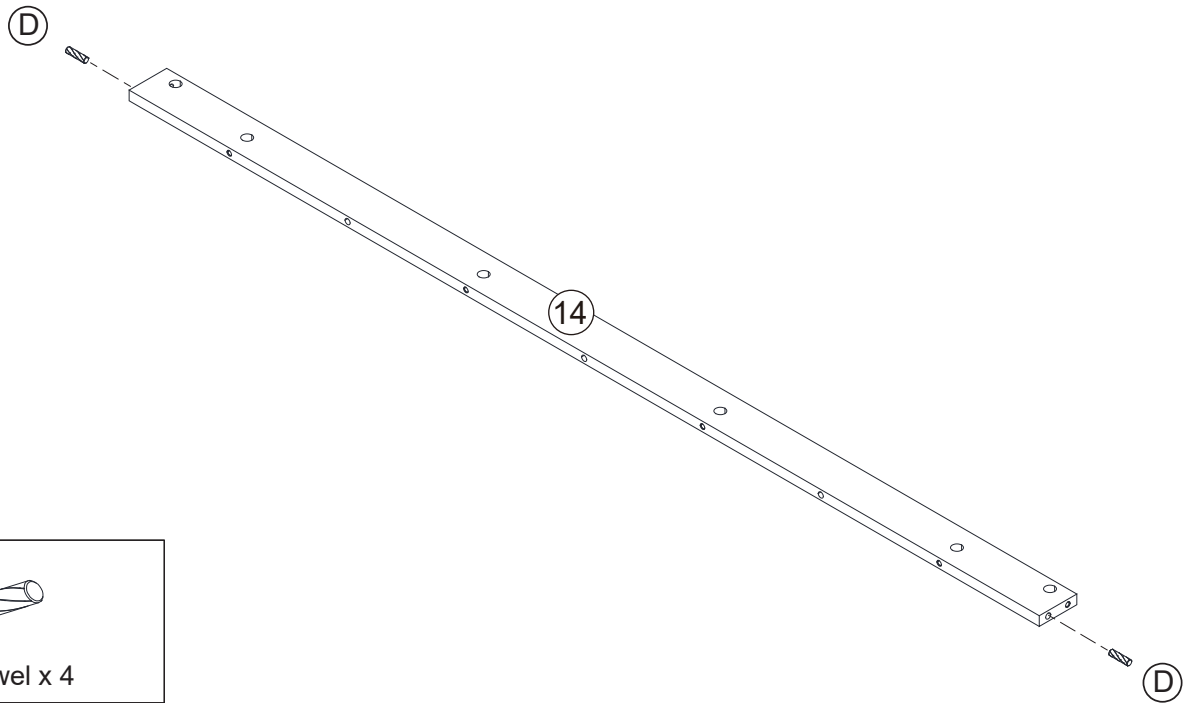


- (A)  3*12mm Screw x 16

Assembly Instructions

Step 32

x2

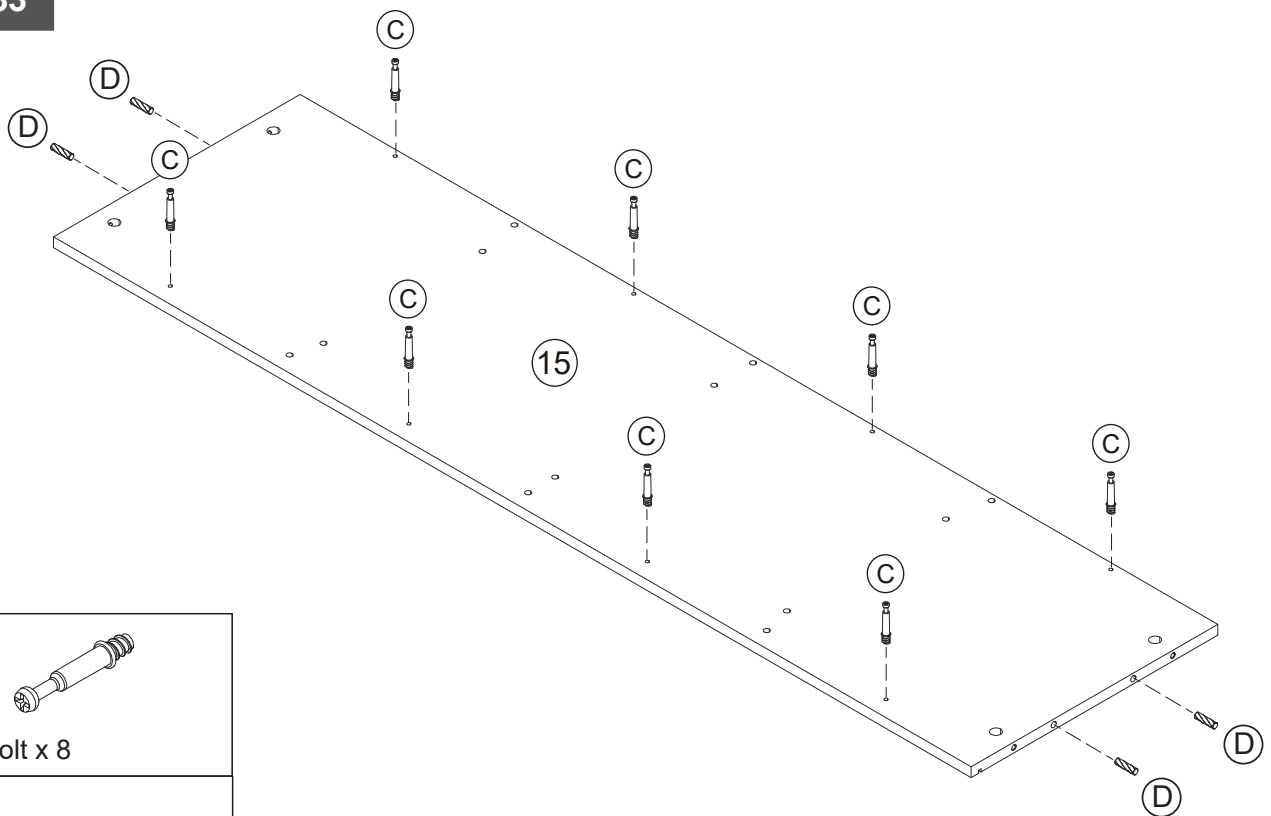


D

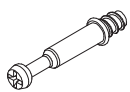


6*30mm Dowel x 4

Step 33



C



Cam Bolt x 8

D

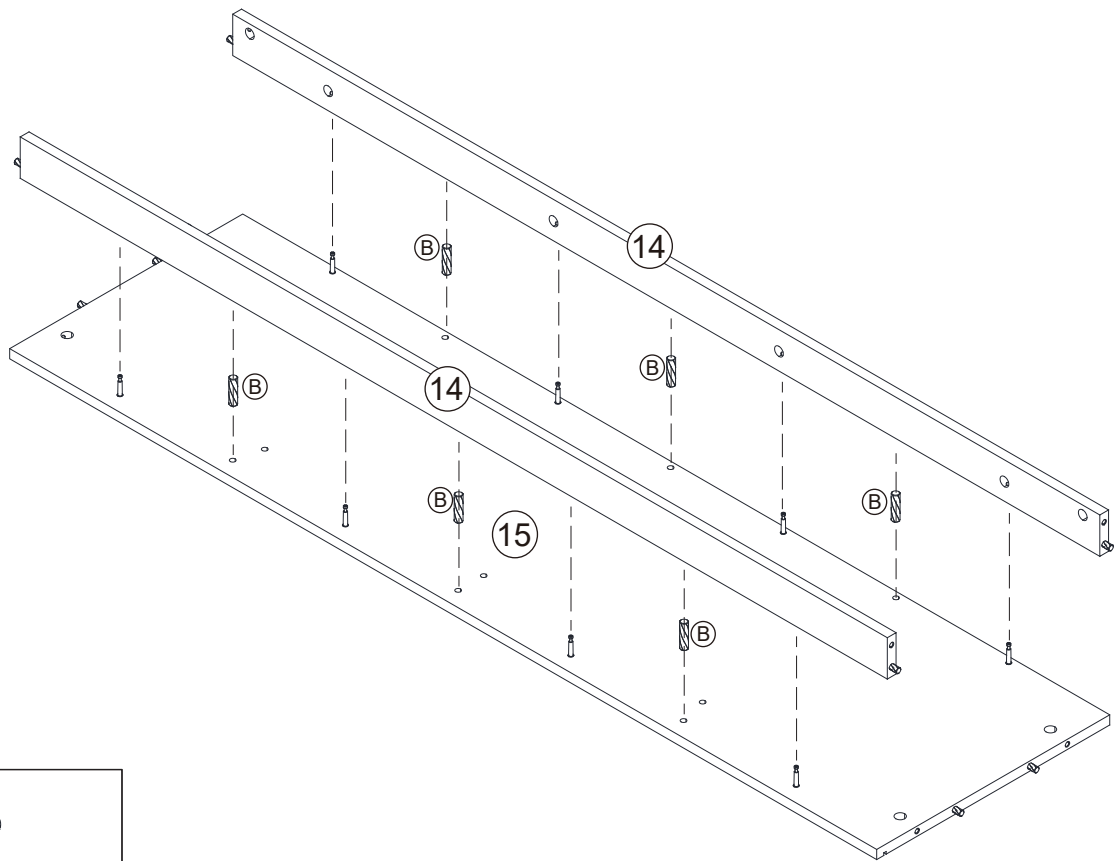


6*30mm Dowel x 4

24

Assembly Instructions

Step 34

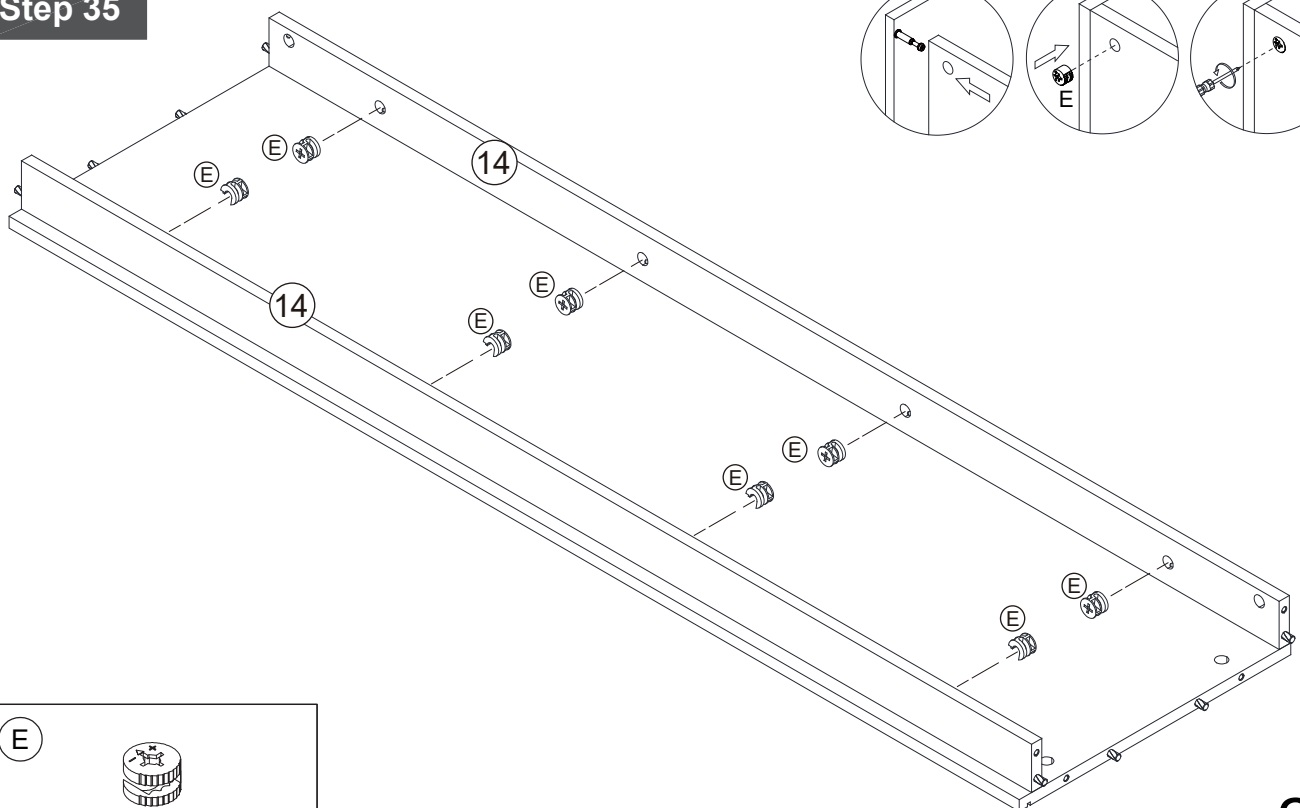


D



6*30mm Dowel x 6

Step 35



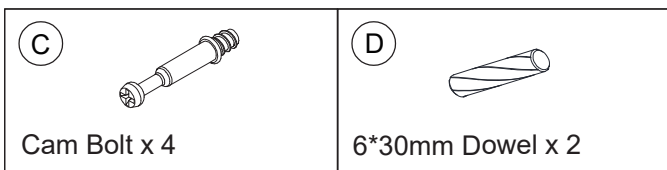
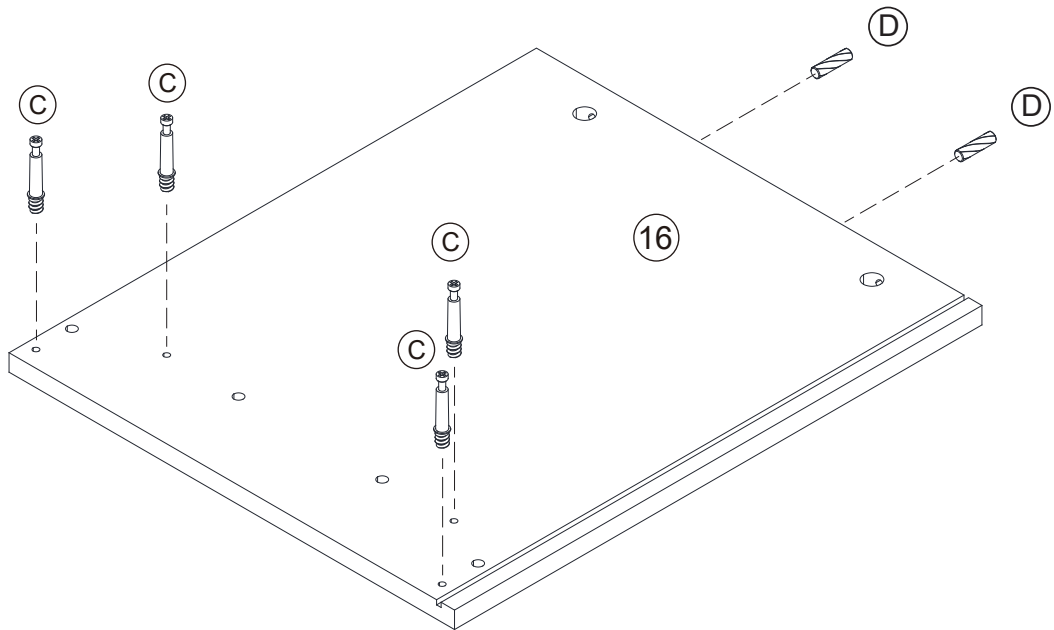
E



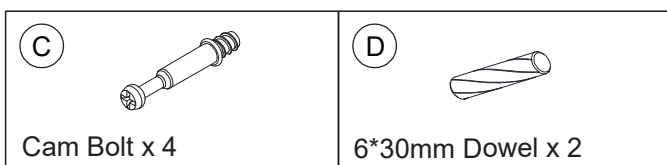
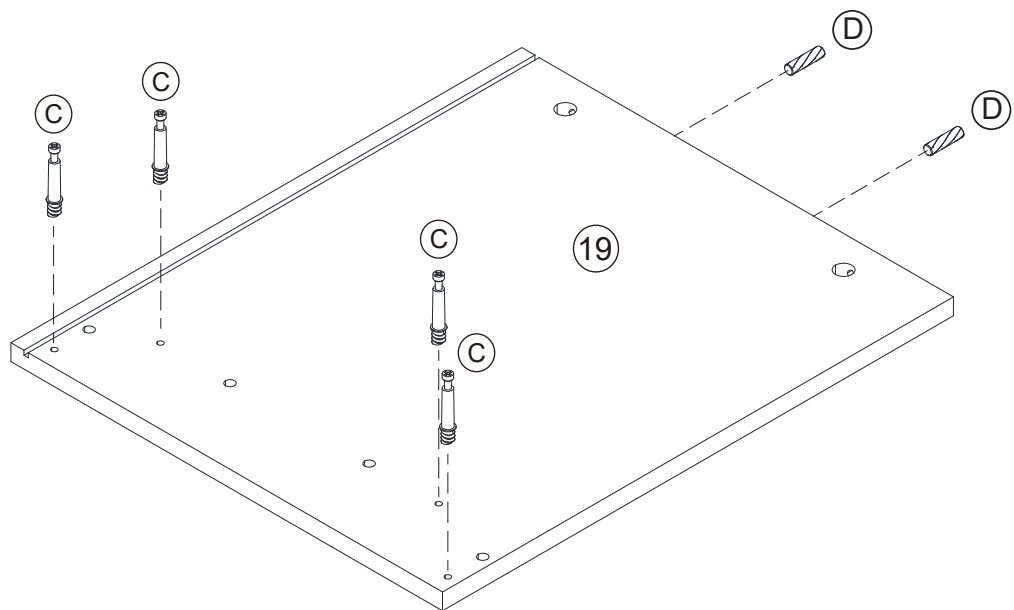
Cam lock x 8

Assembly Instructions

Step 36

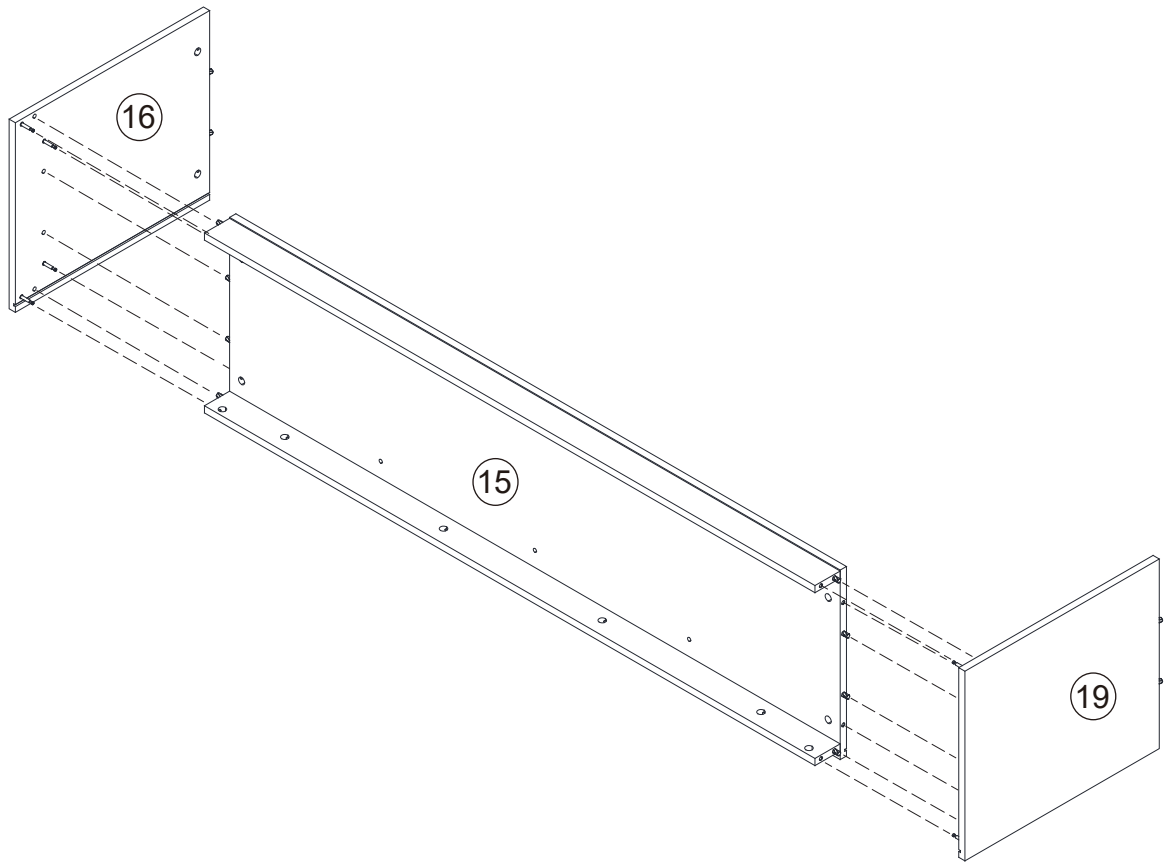


Step 37

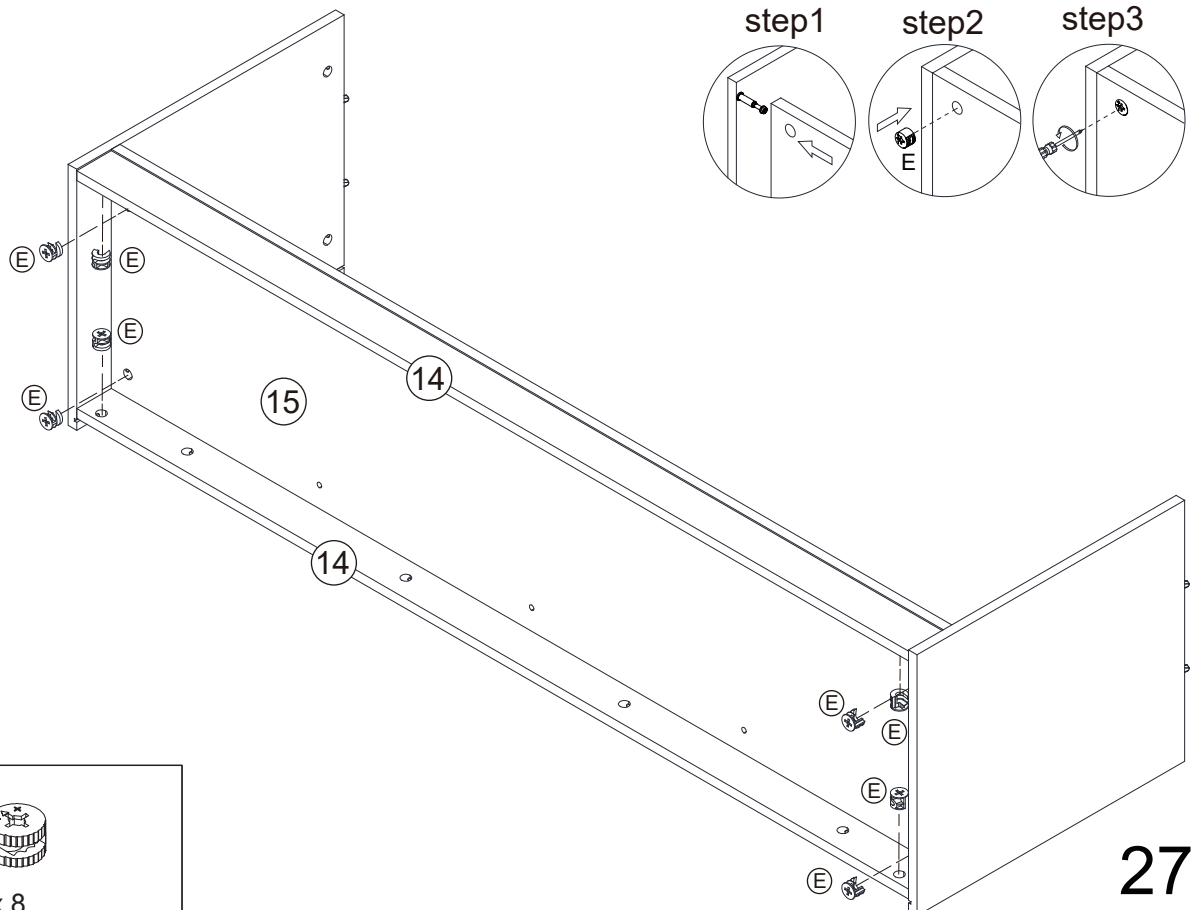


Assembly Instructions

Step 38



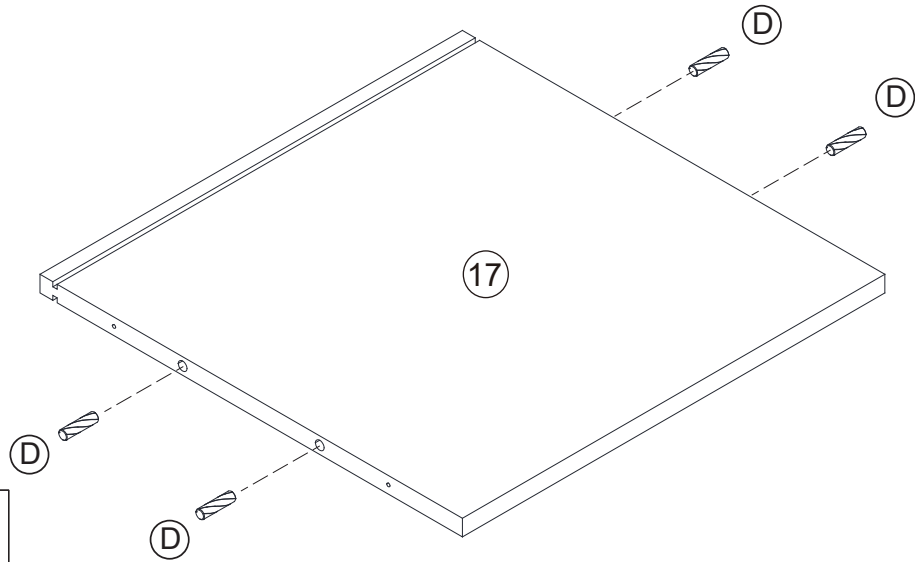
Step 39



Assembly Instructions

Step 40

x3

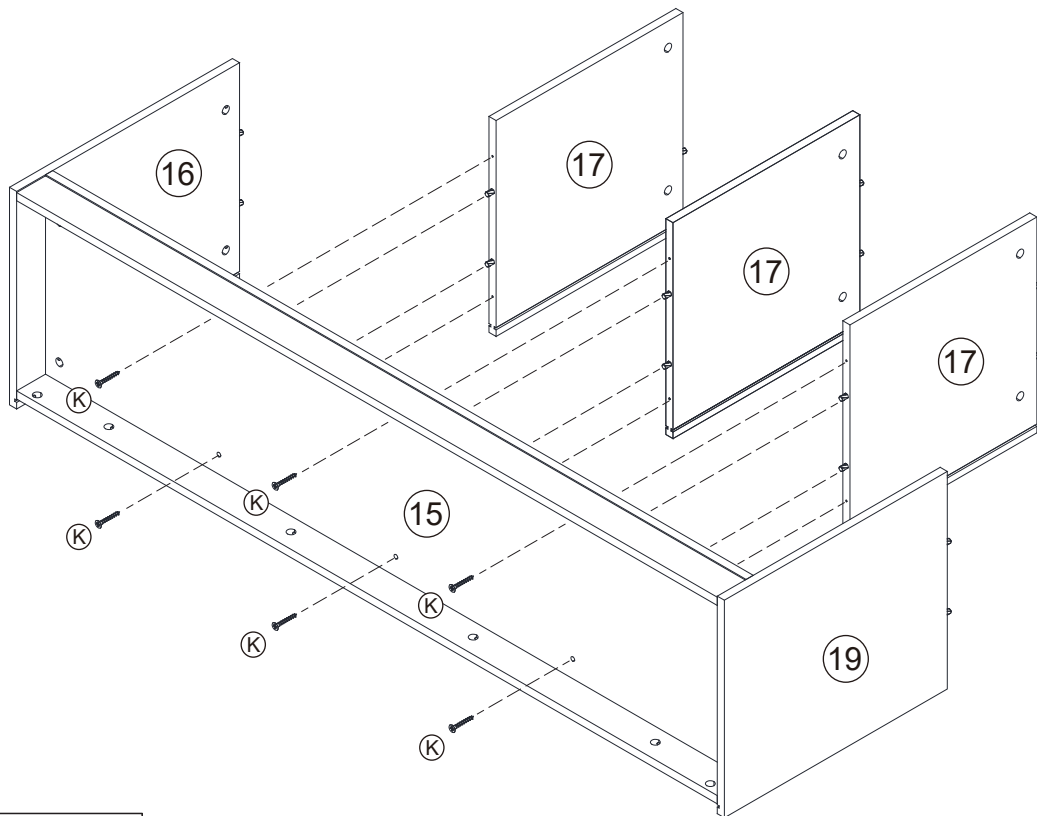


D



6*30mm Dowel x 12

Step 41



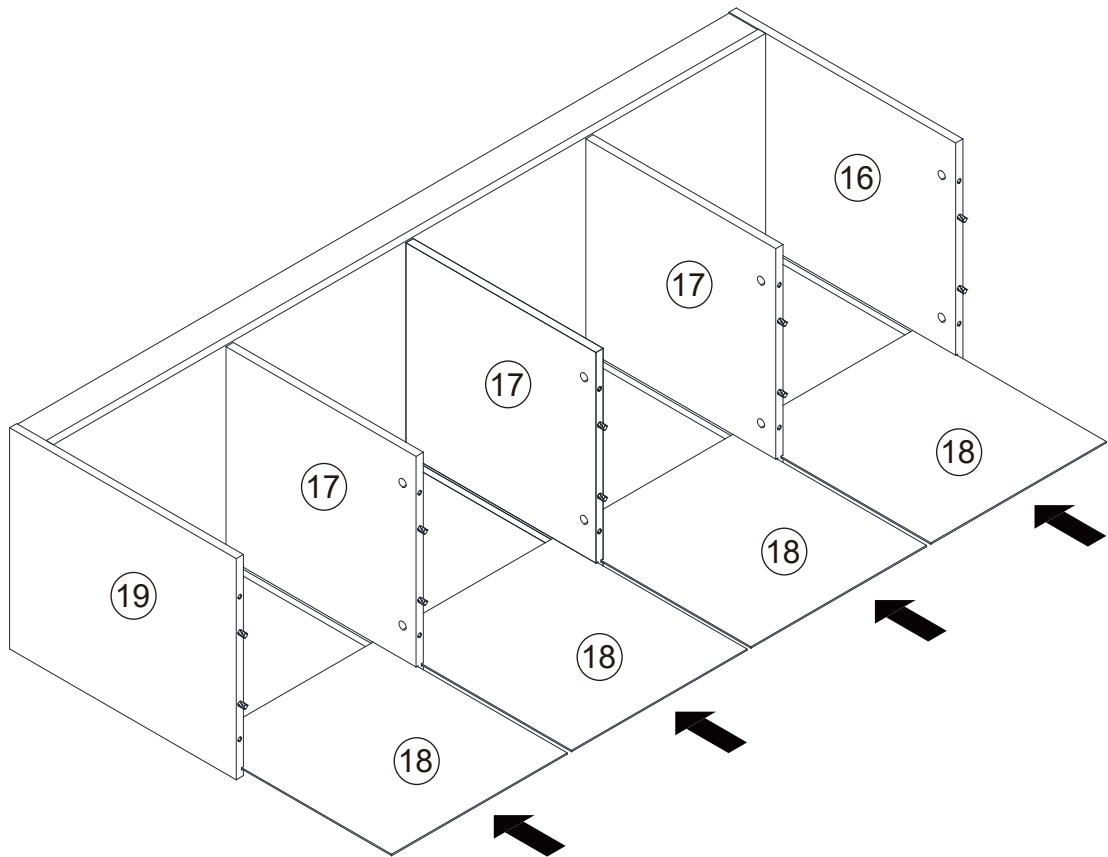
K



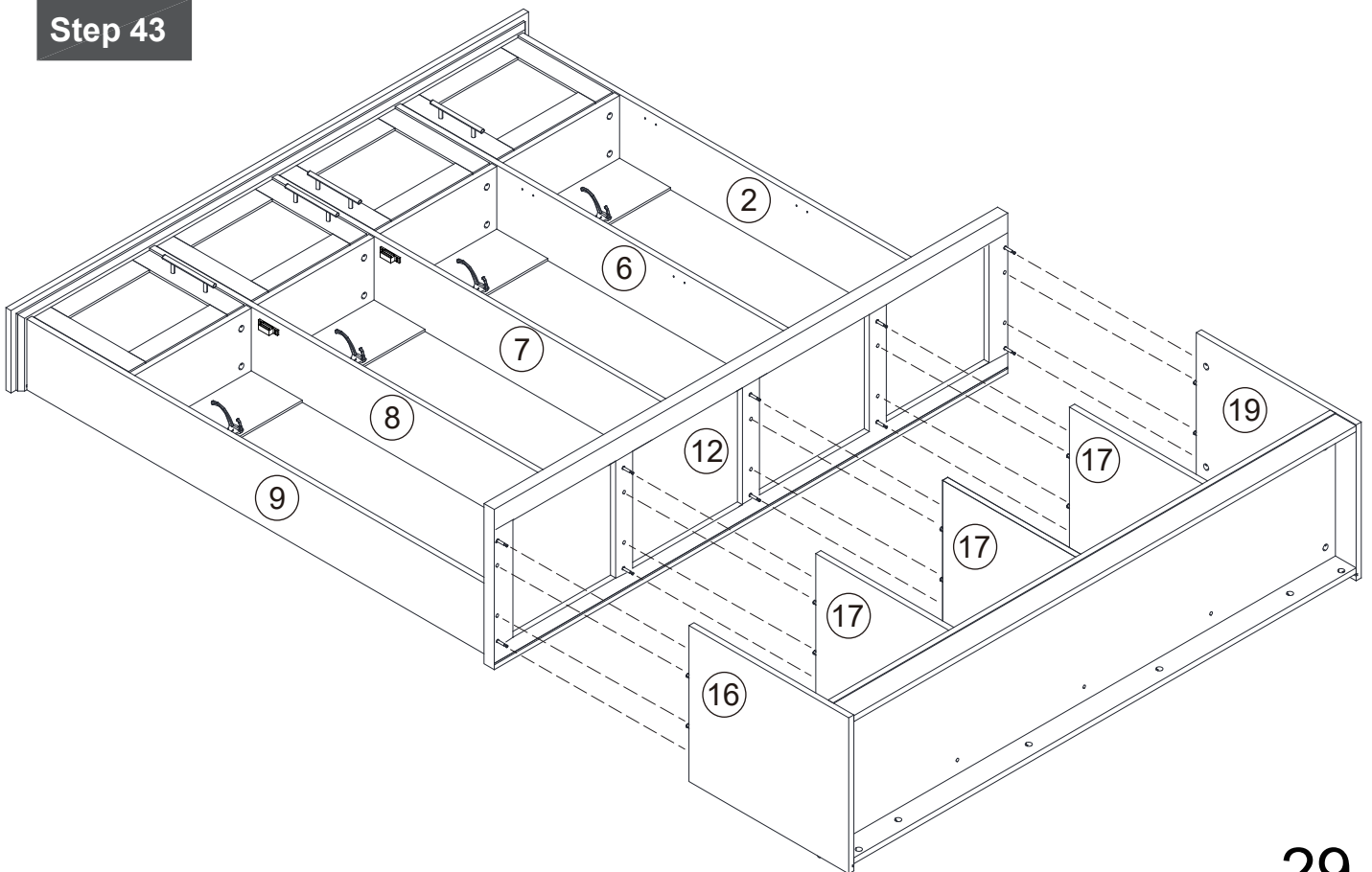
4*35mm Screw x 6

Assembly Instructions

Step 42

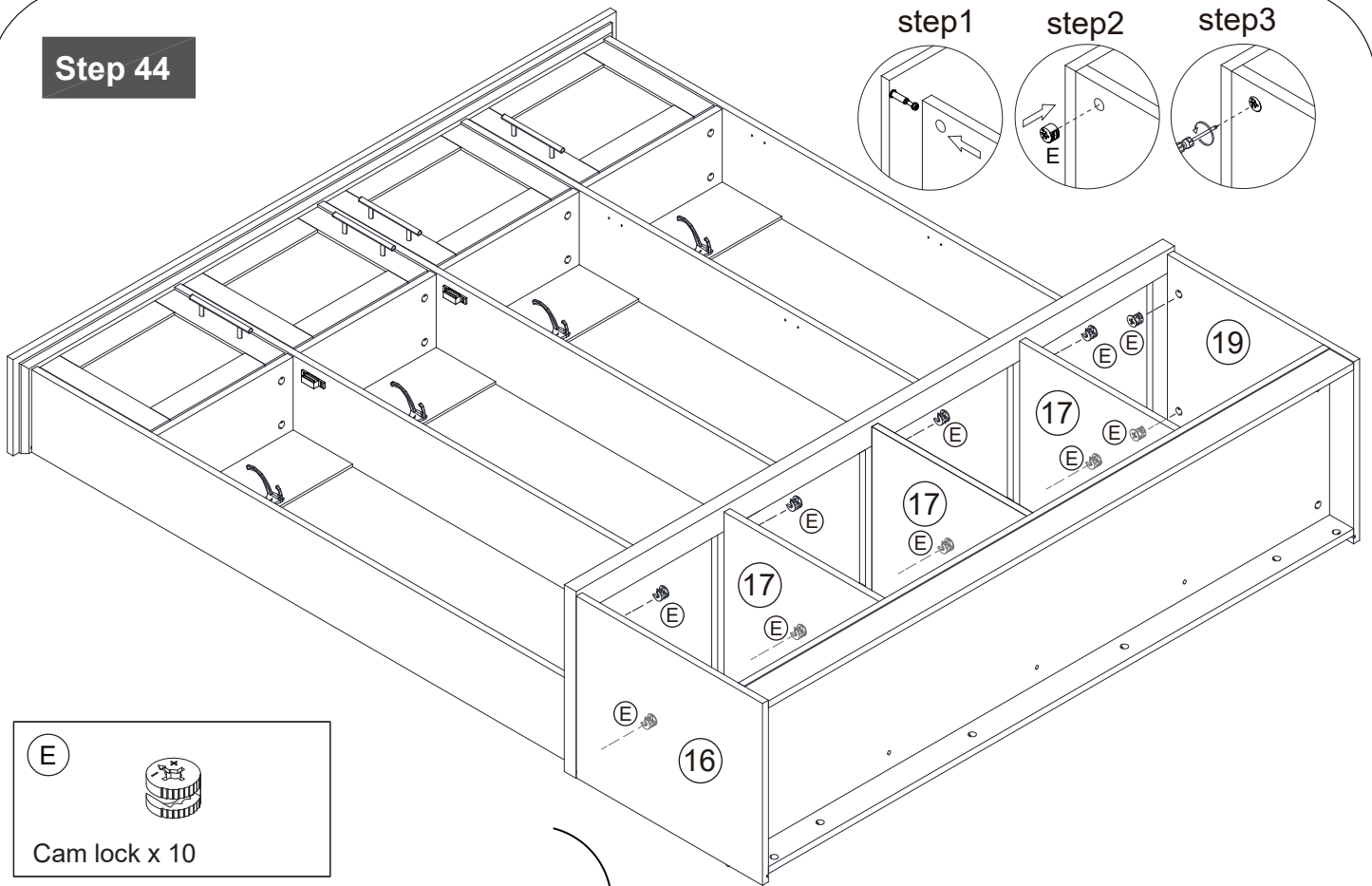


Step 43



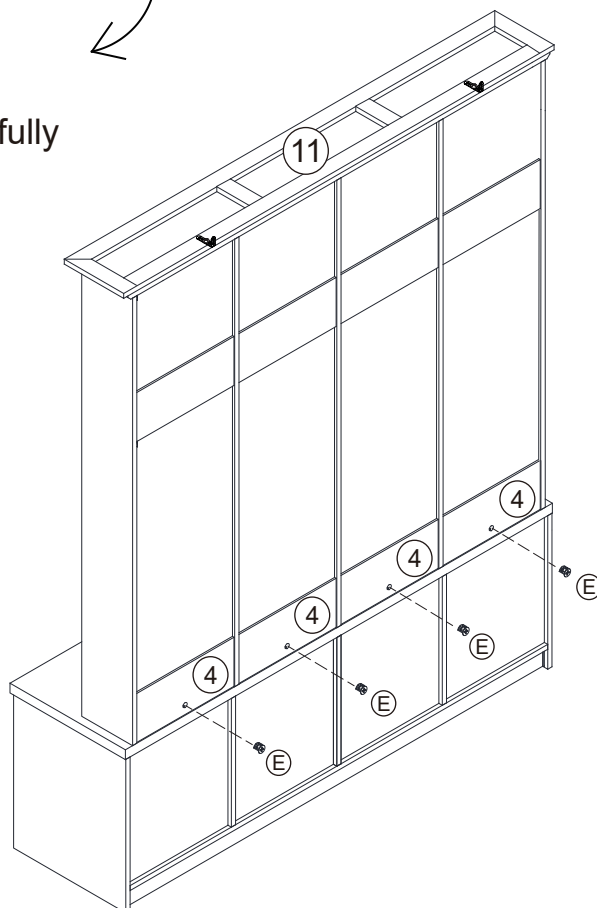
Assembly Instructions

Step 44



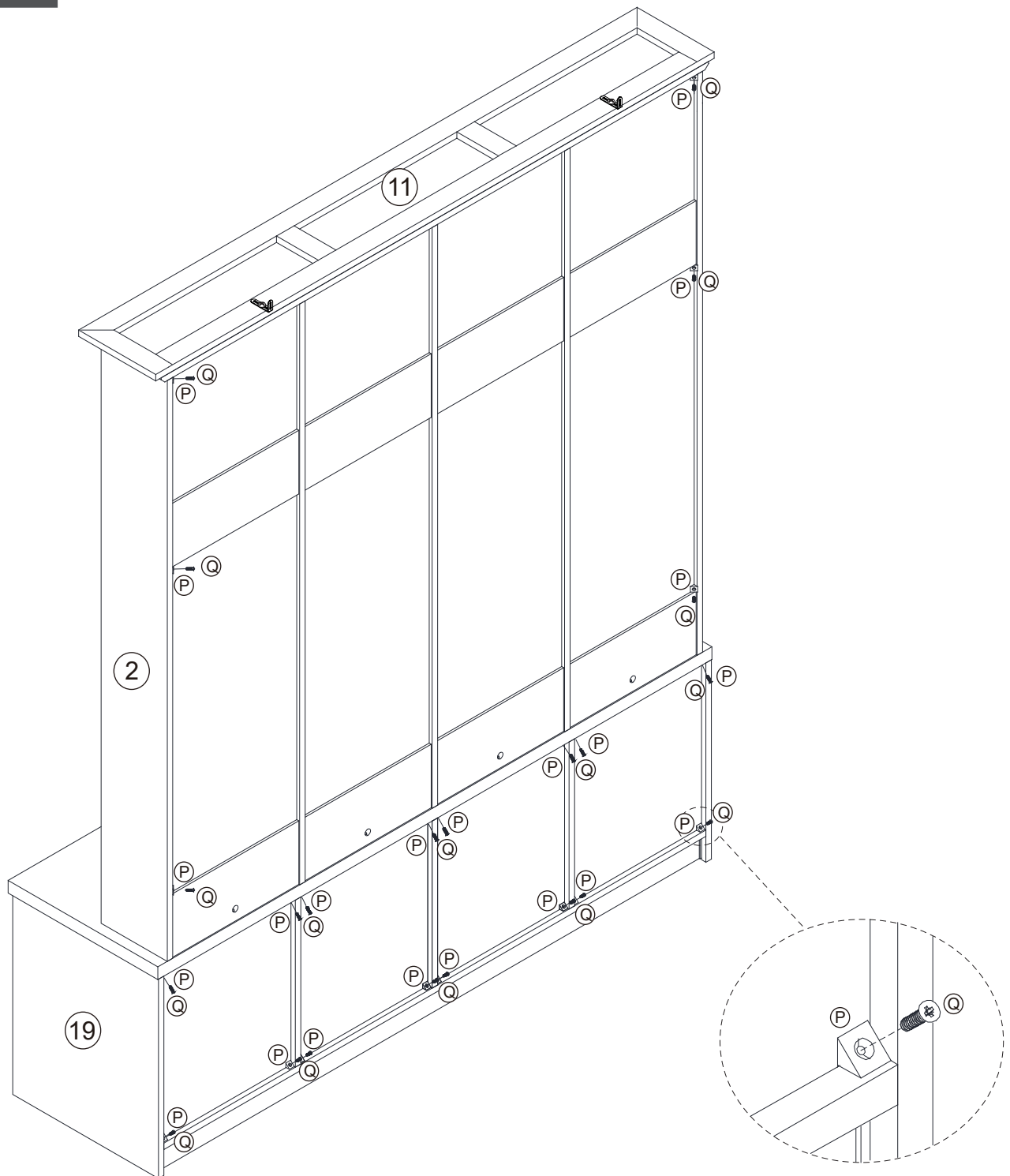
Step 45



Please stand this product carefully
, it's better if two people work
together



Assembly Instructions

Step 46

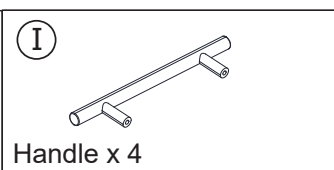
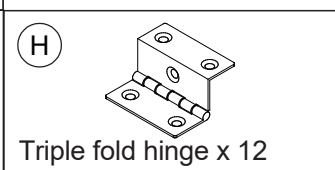
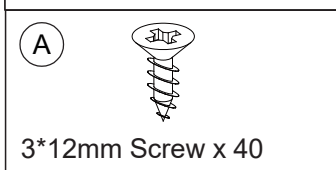
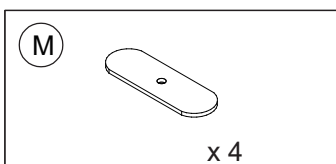
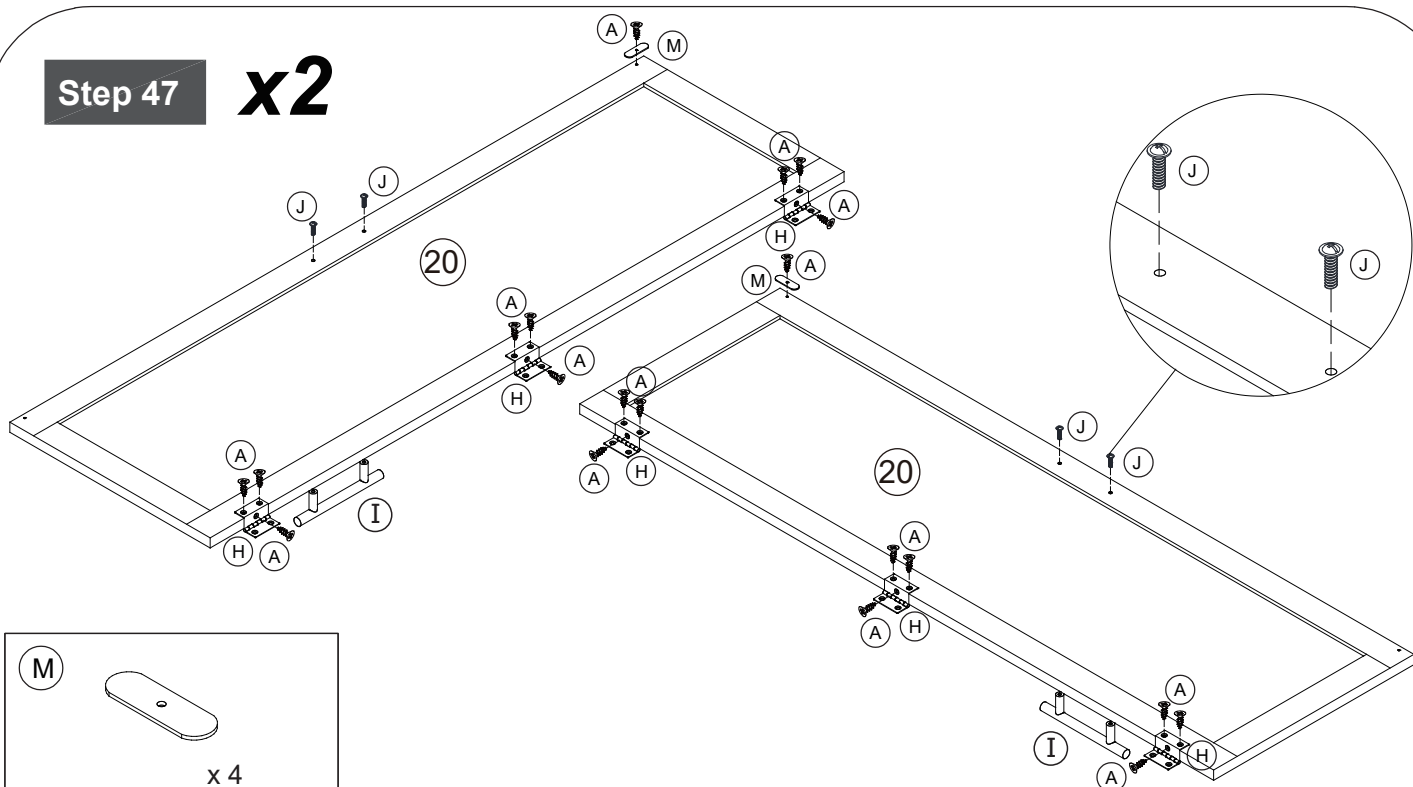


<p>(P)  Back Panel Buckle x 22</p>	<p>(Q)  3*16mm Screw x 22</p>
---	--

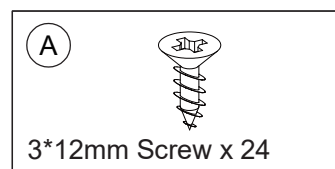
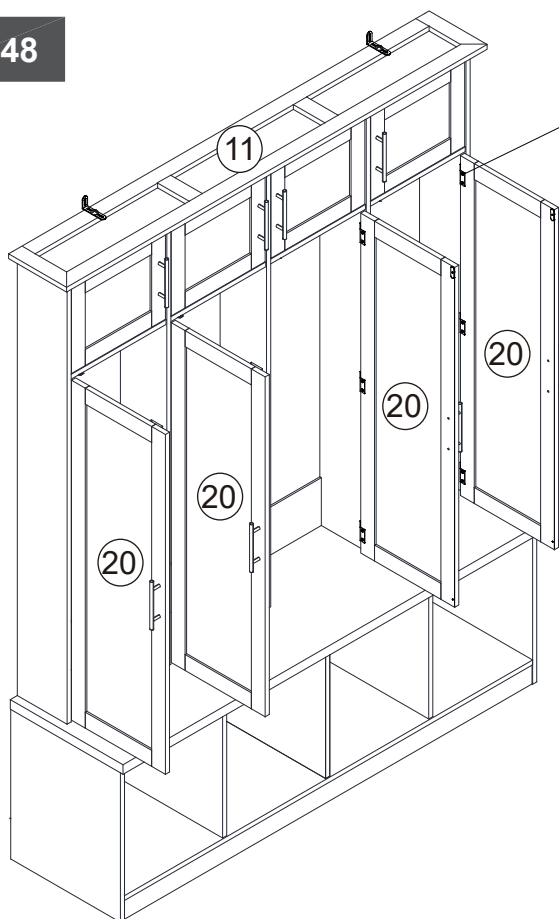
Assembly Instructions

Step 47

x2



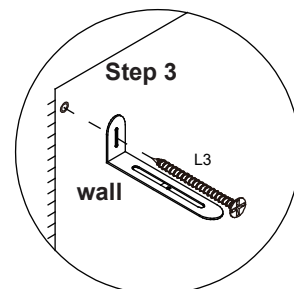
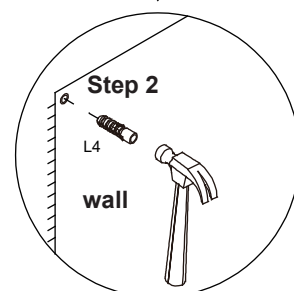
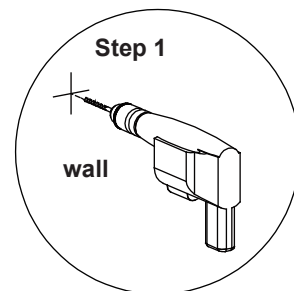
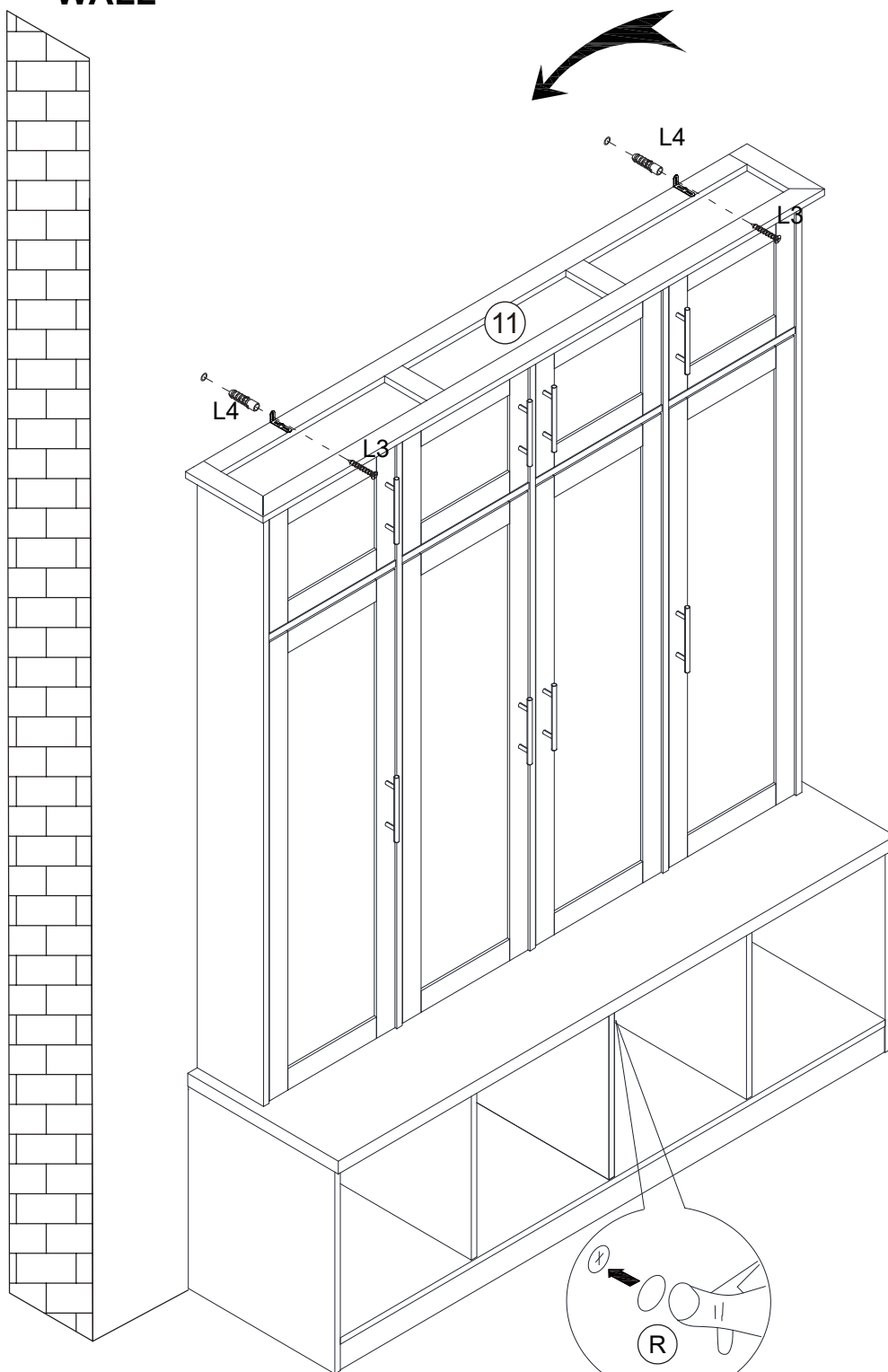
Step 48

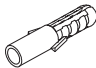




Assembly Instructions

Step 49

WALL



L-L4		x 2set
L-L3		x 2set
(R)		Perfect fit x 66

Assembly Instructions

Finish

