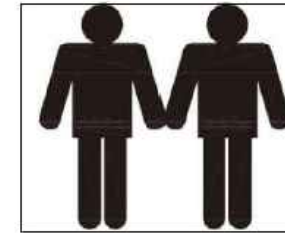


Assembly Instruction

Note:

- 1. Should be assembled on flat ground to keep balance.**
- 2. Before completing the installation, do not tighten the screws.**

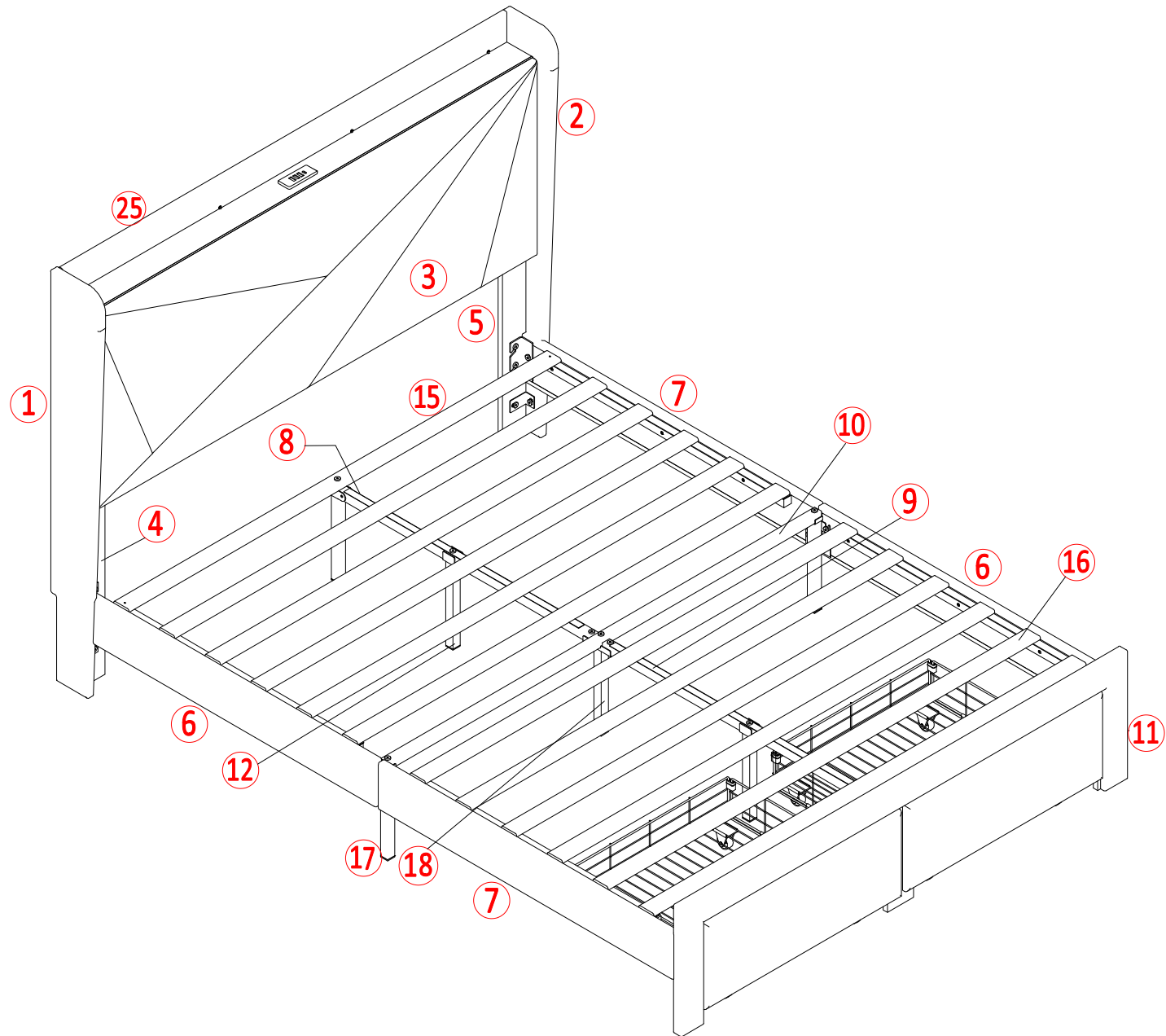


It needs at least two people to install.



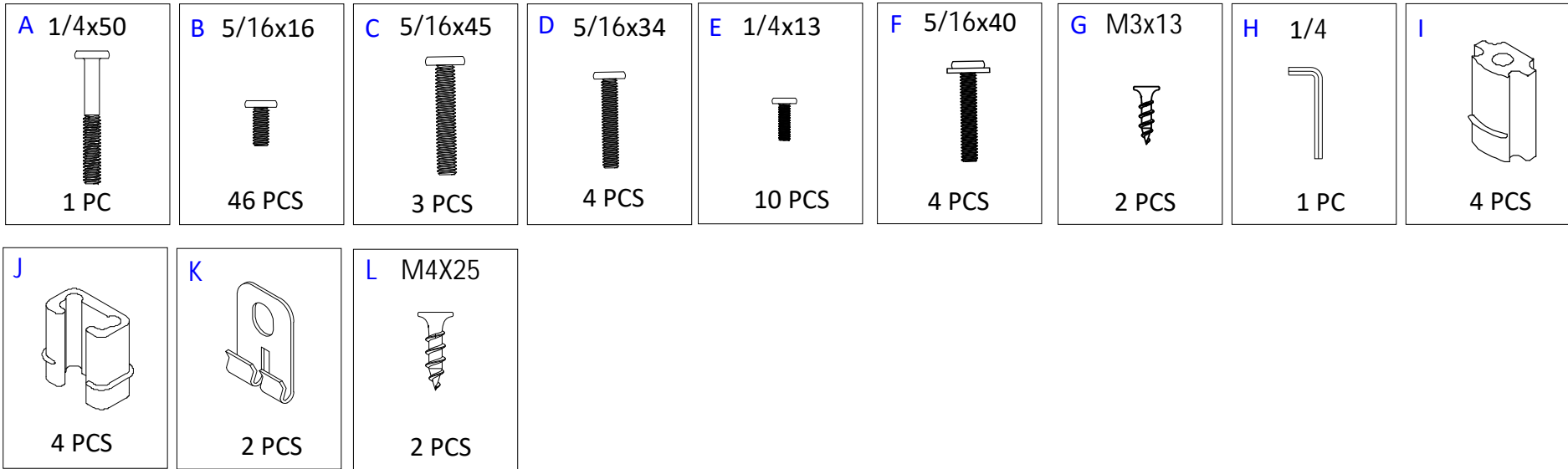
Before starting the assembly, you must read the whole manual and follow the instructions

Assembly Instruction of Bed



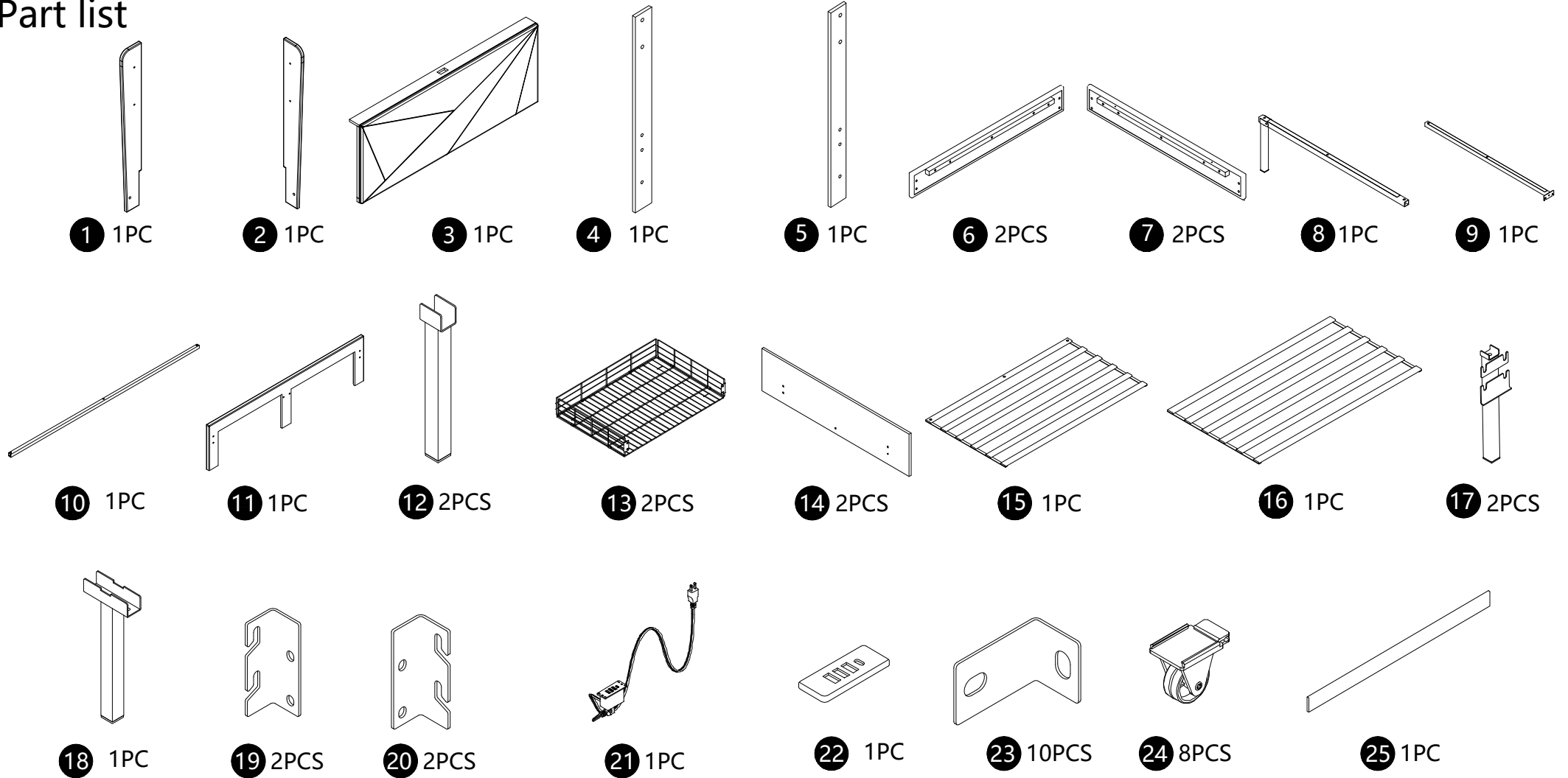
Assembly Instruction of Bed

Hardware parts



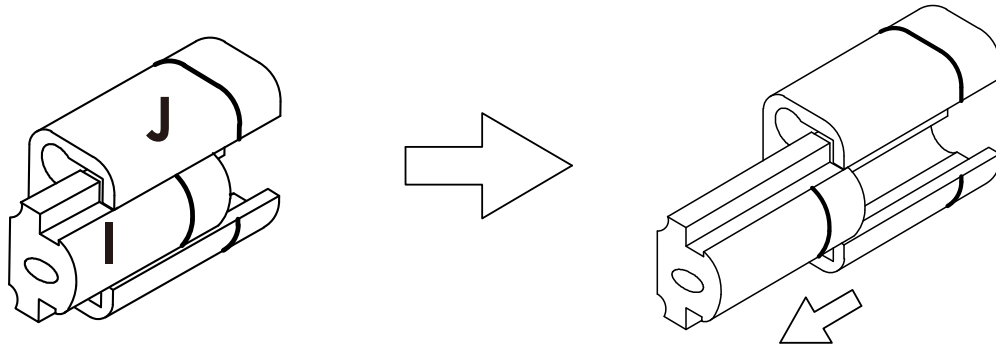
Assembly Instruction of Bed

Part list

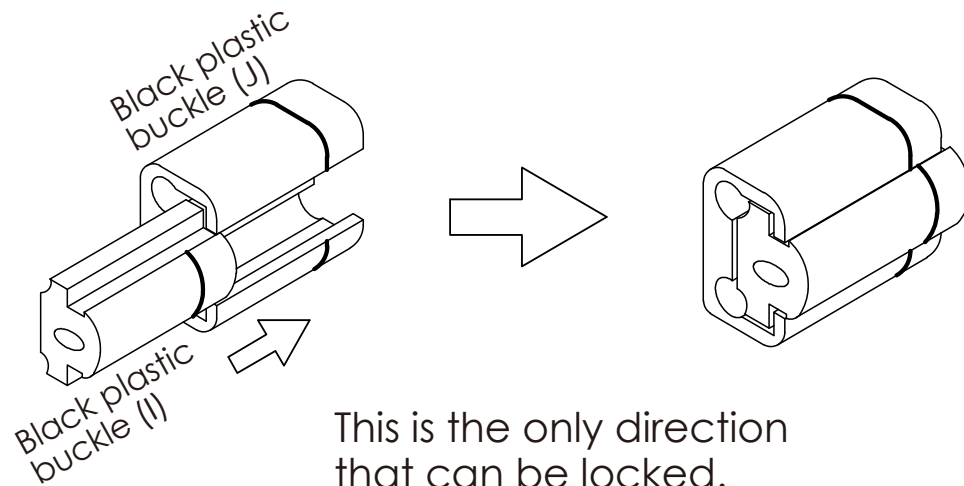


Assembly Instruction of Bed

Step:1

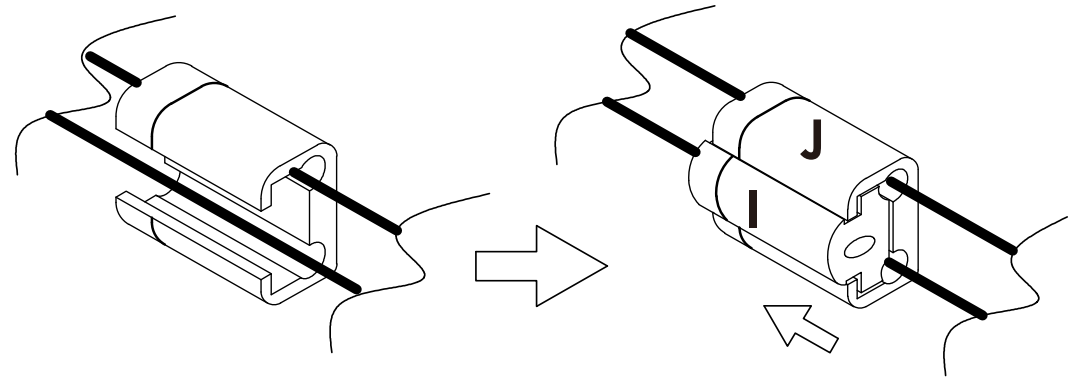


You can pull the buckle out by following the direction indicated by the arrow



This is the only direction that can be locked.

Step:2

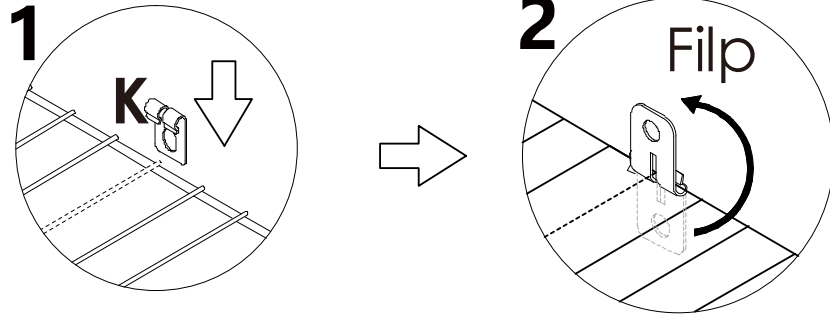
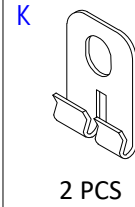


Place the round iron tubes as shown for better assembly of the drawers.

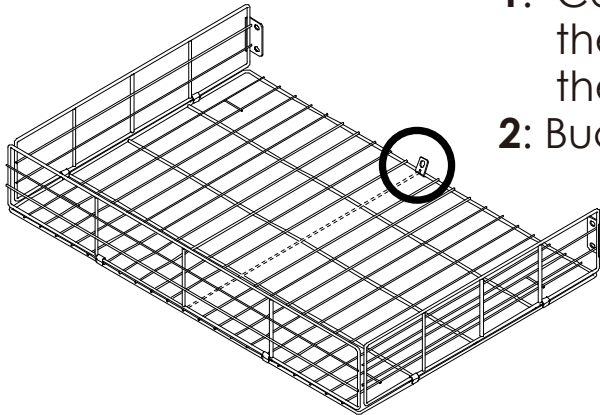
Assembly Instruction of Bed

Step:3

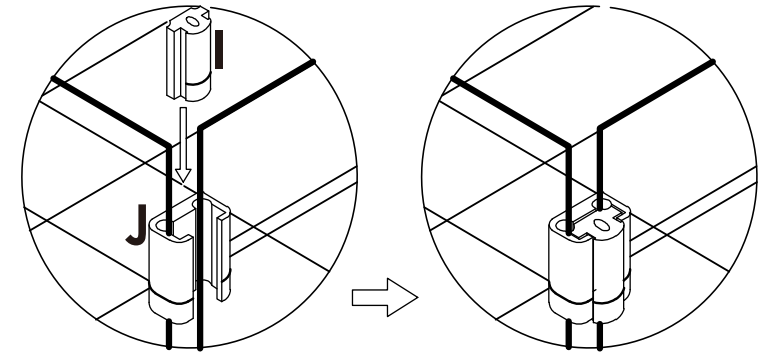
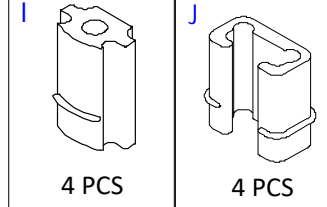
Assemble
drawer hook



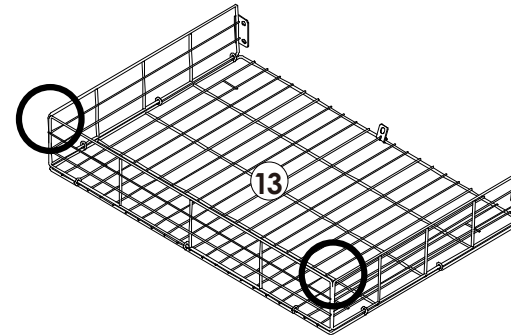
- 1: Count from the side to the wire in the middle of the drawer.
- 2: Buckle it and turn it over



Step:4

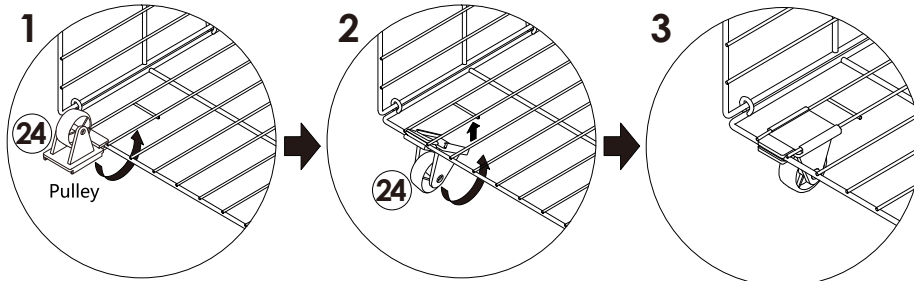


Pull up the side and rear wall of the drawer and lock it with plastic buckle



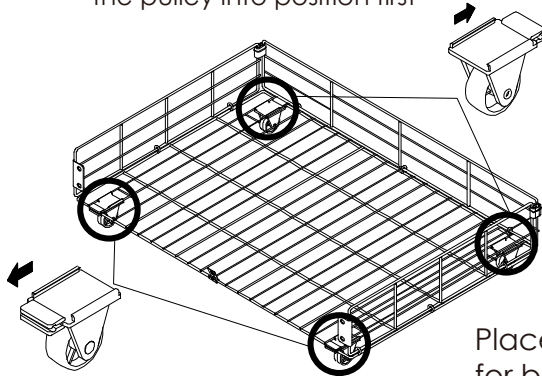
Assembly Instruction of Bed

Step:5



1. As shown in the figure Clip the pulley into position first

2. Then push the pulley to the side, clamp the iron wire at the edge.



x2

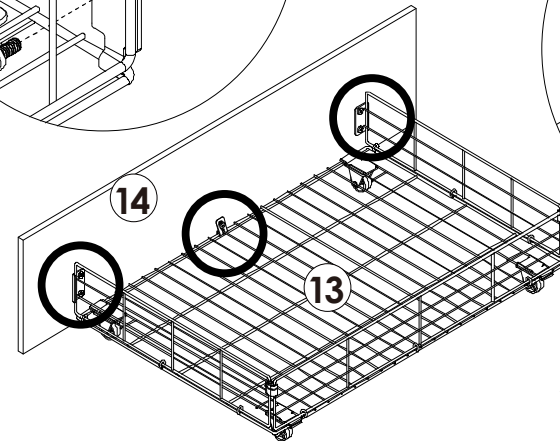
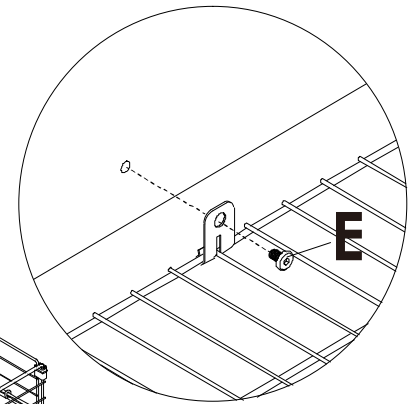
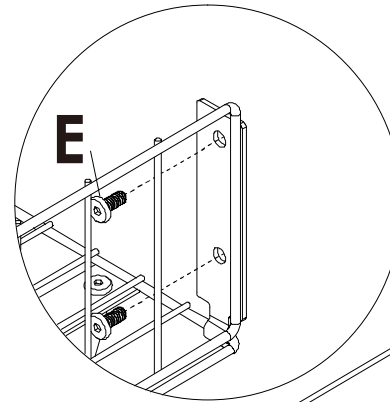
Place the round iron tubes as shown for better assembly of the drawers.

Step:6

E 1/4X13



10 PCS



x2

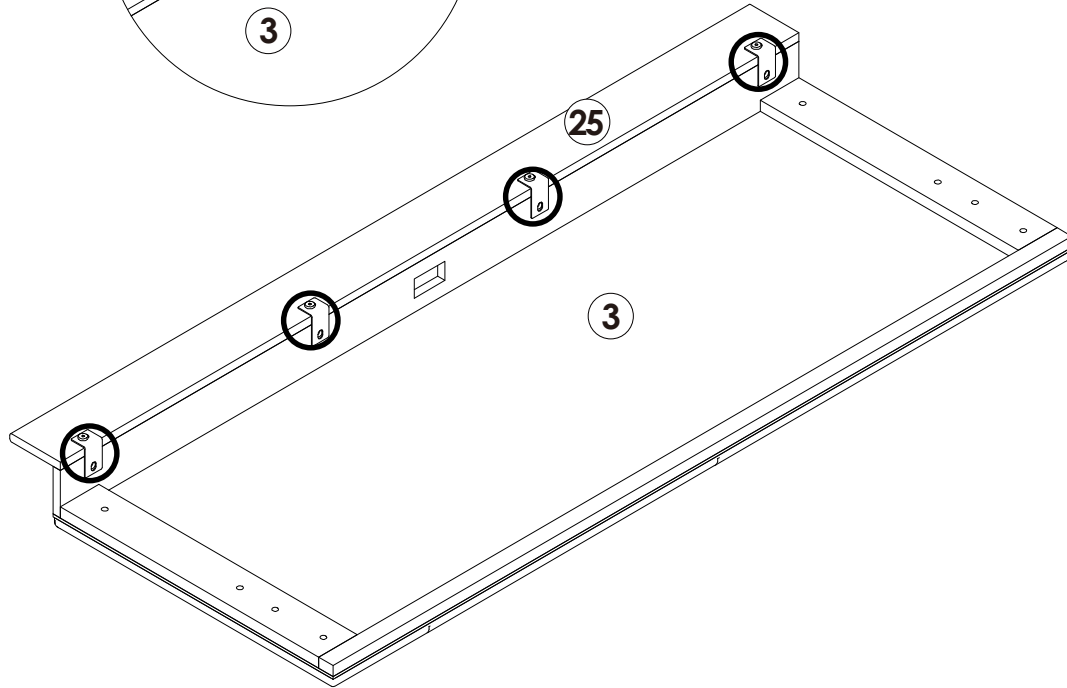
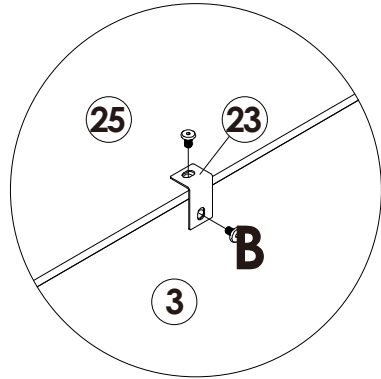
Assembly Instruction of Bed

Step:7

B 5/16X16



8 PCS

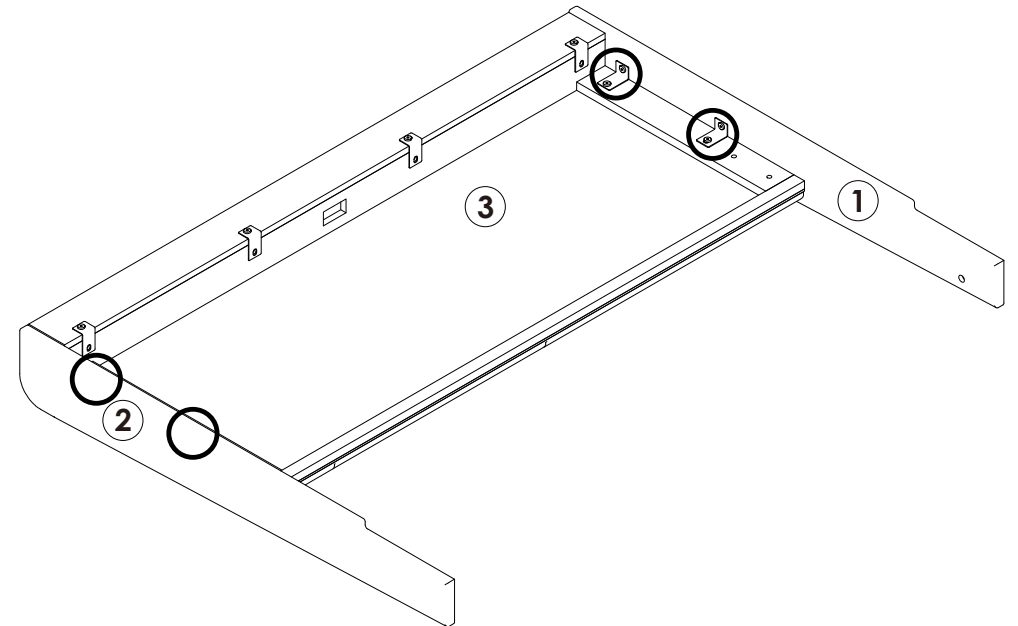
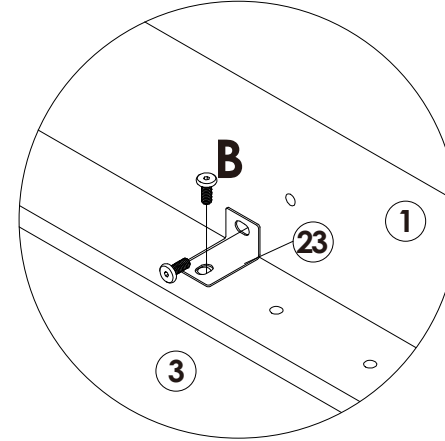


Step:8

B 5/16X16



8 PCS



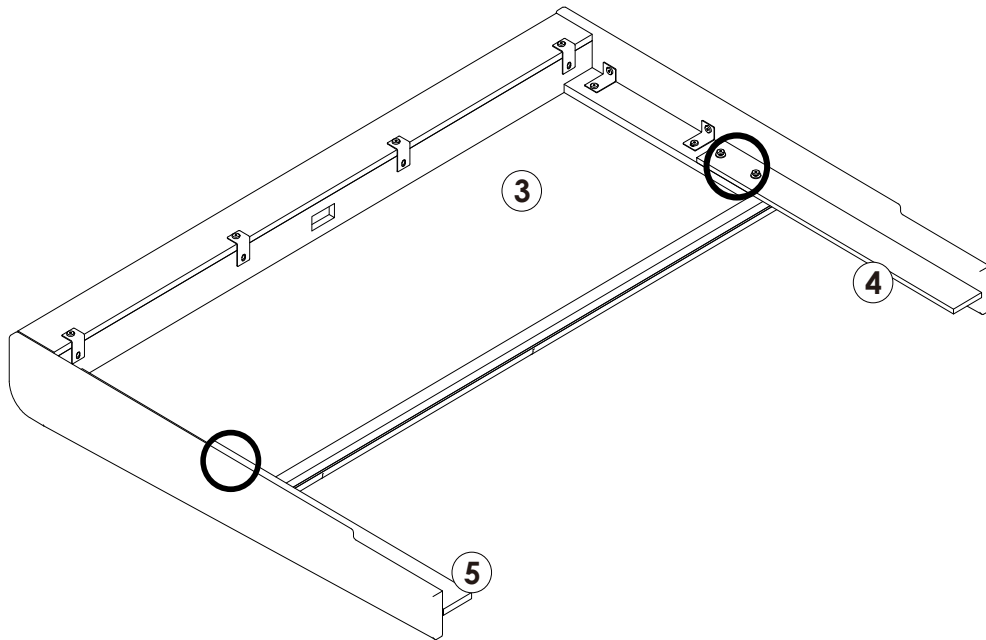
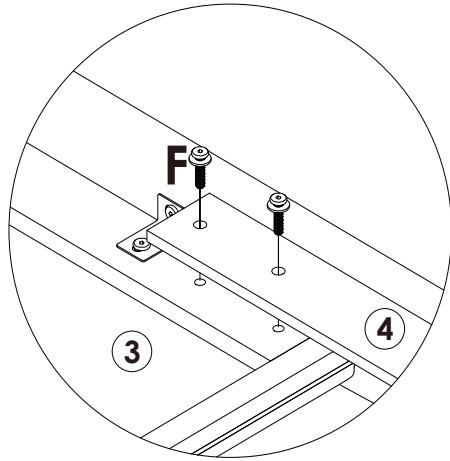
Assembly Instruction of Bed

Step:9

F 5/16X40



4 PCS



Step:10

B 5/16X16

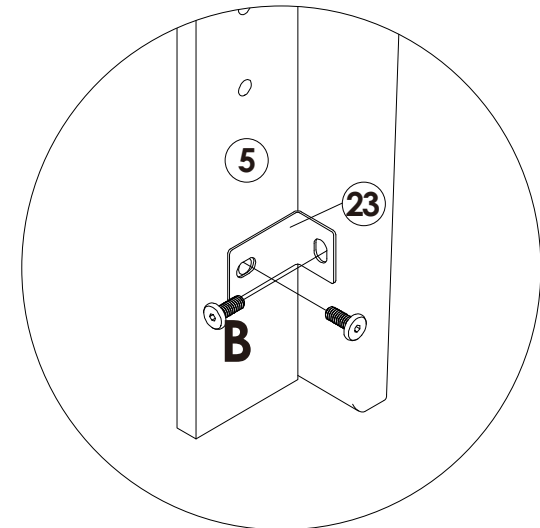
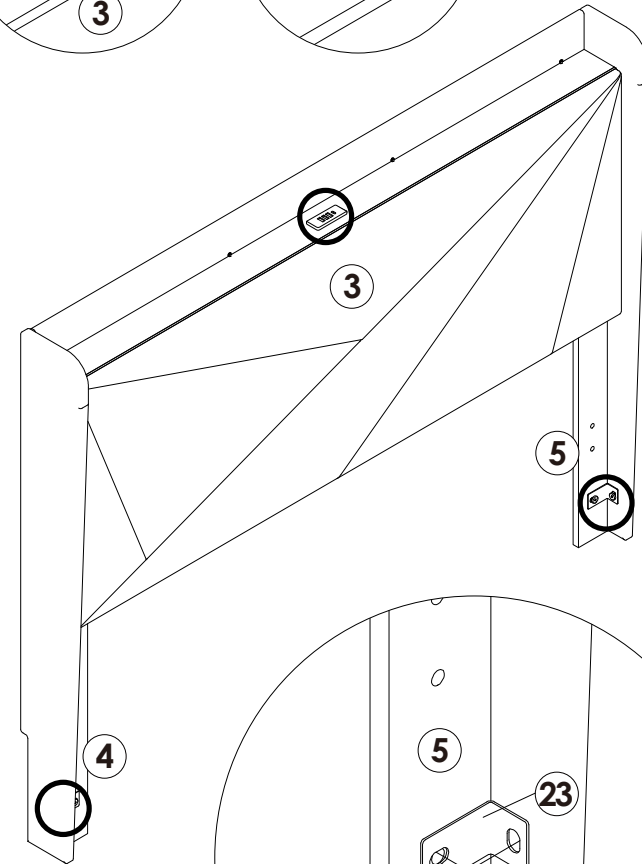
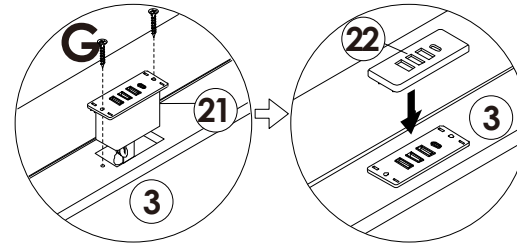


4 PCS

G M3X13



2 PCS



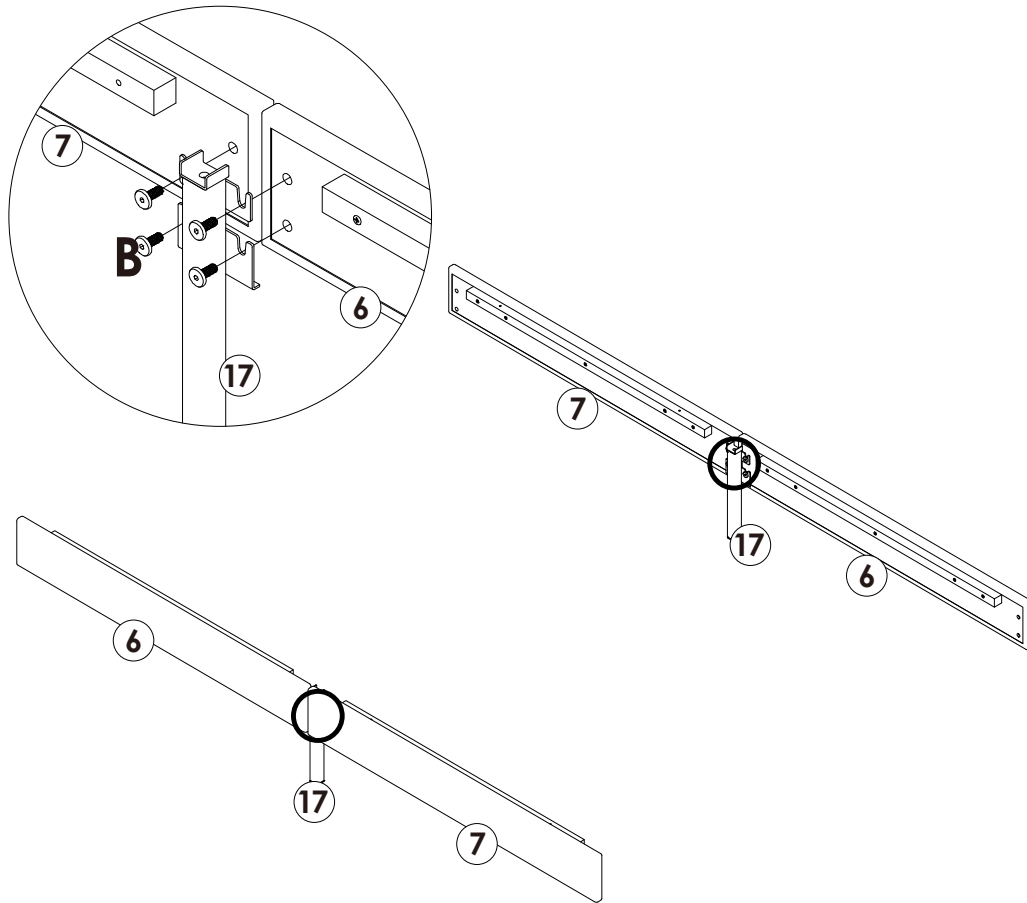
Assembly Instruction of Bed

Step:11

B 5/16X16



8 PCS

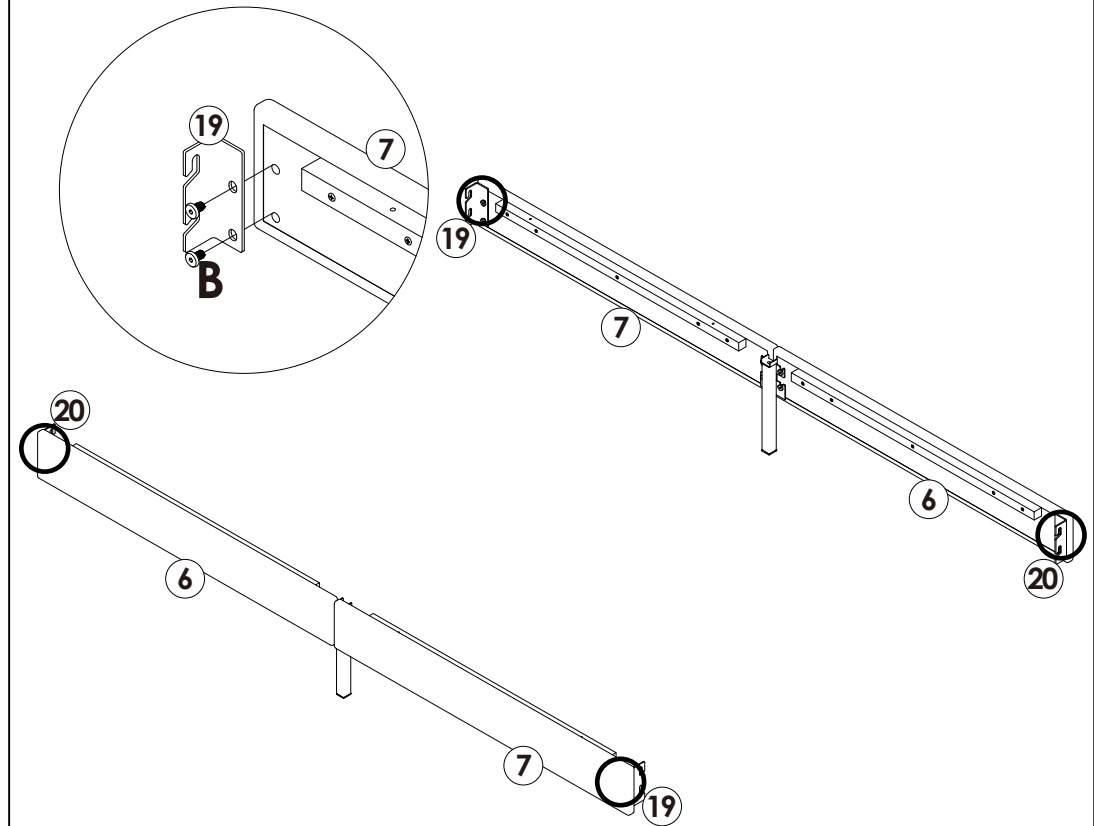


Step:12

B 5/16X16



8 PCS



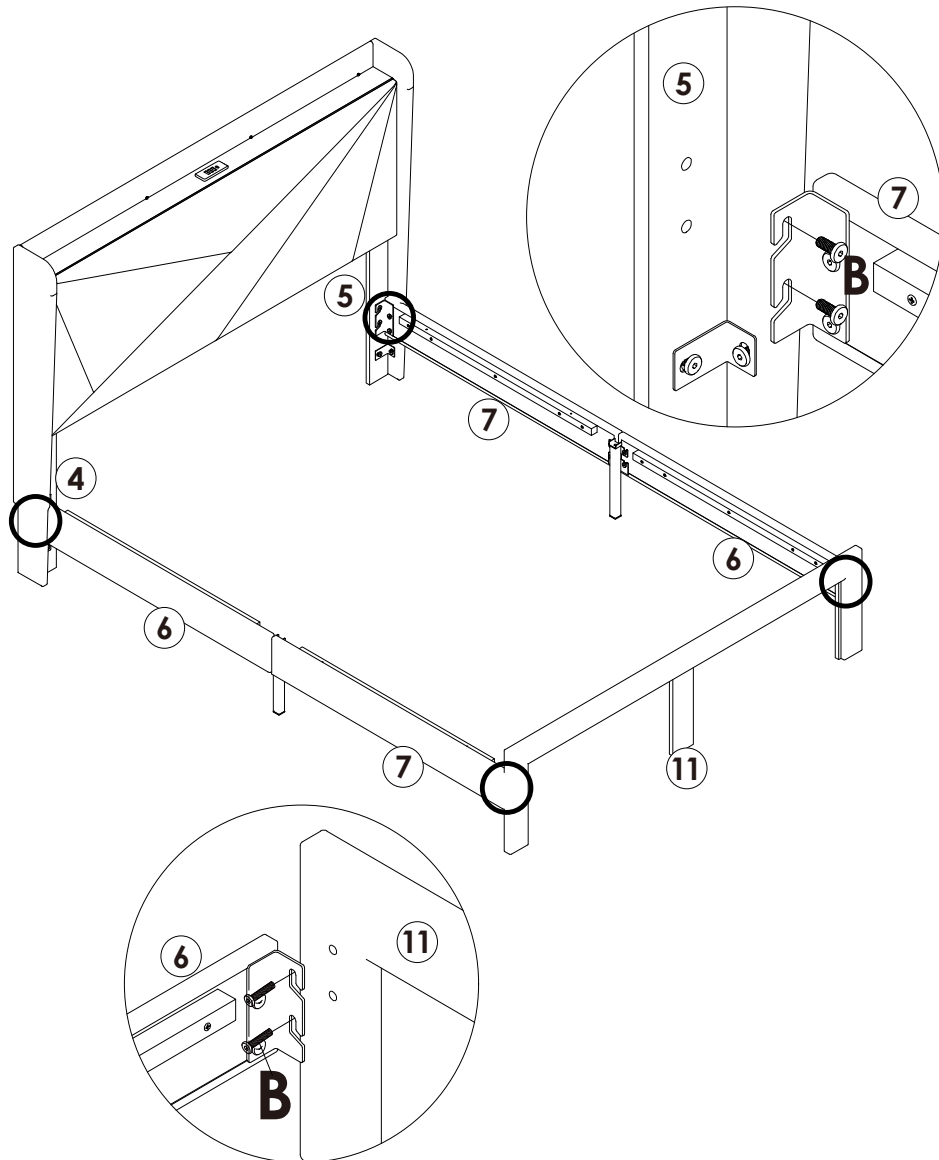
Assembly Instruction of Bed

Step:13

B 5/16X16



8 PCS

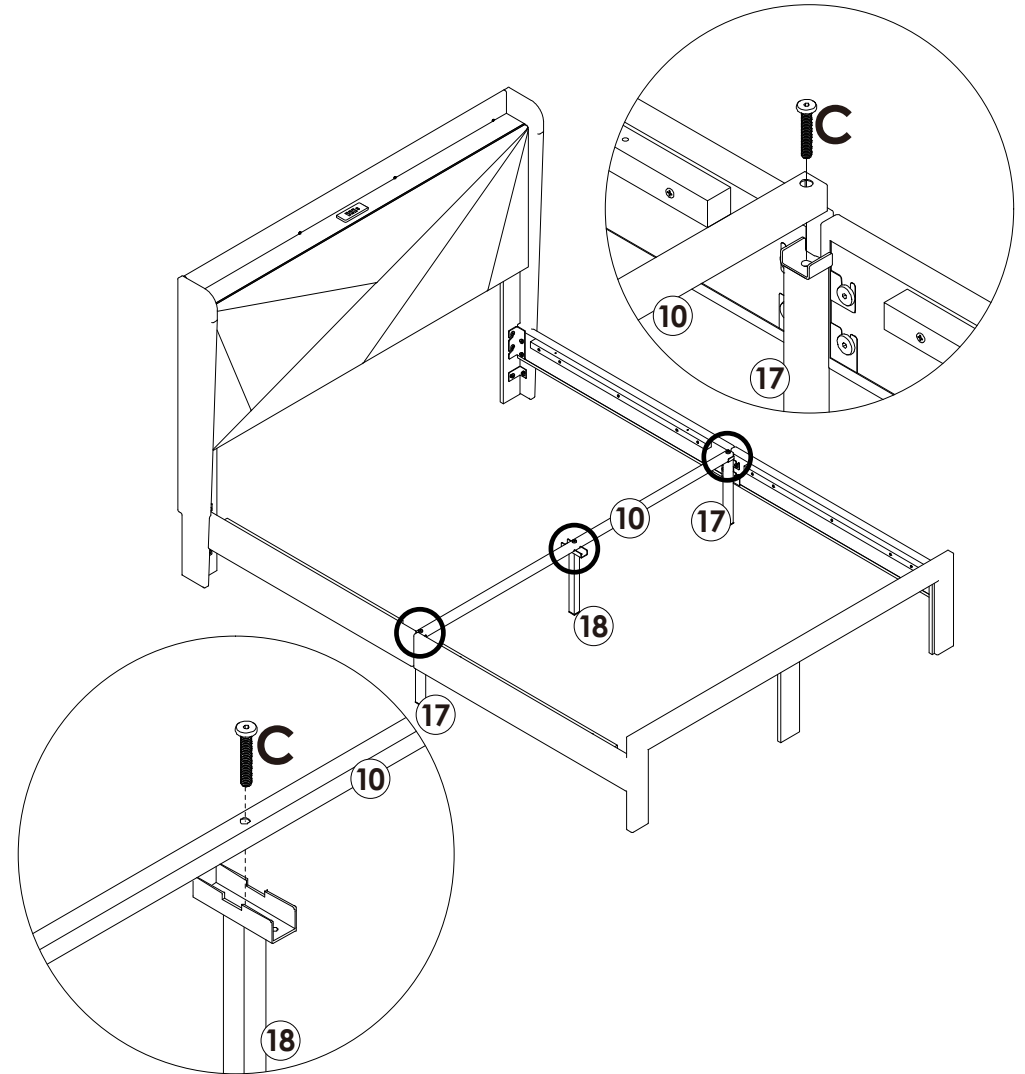


Step:14

C 5/16X45



3 PCS



Assembly Instruction of Bed

Step:15

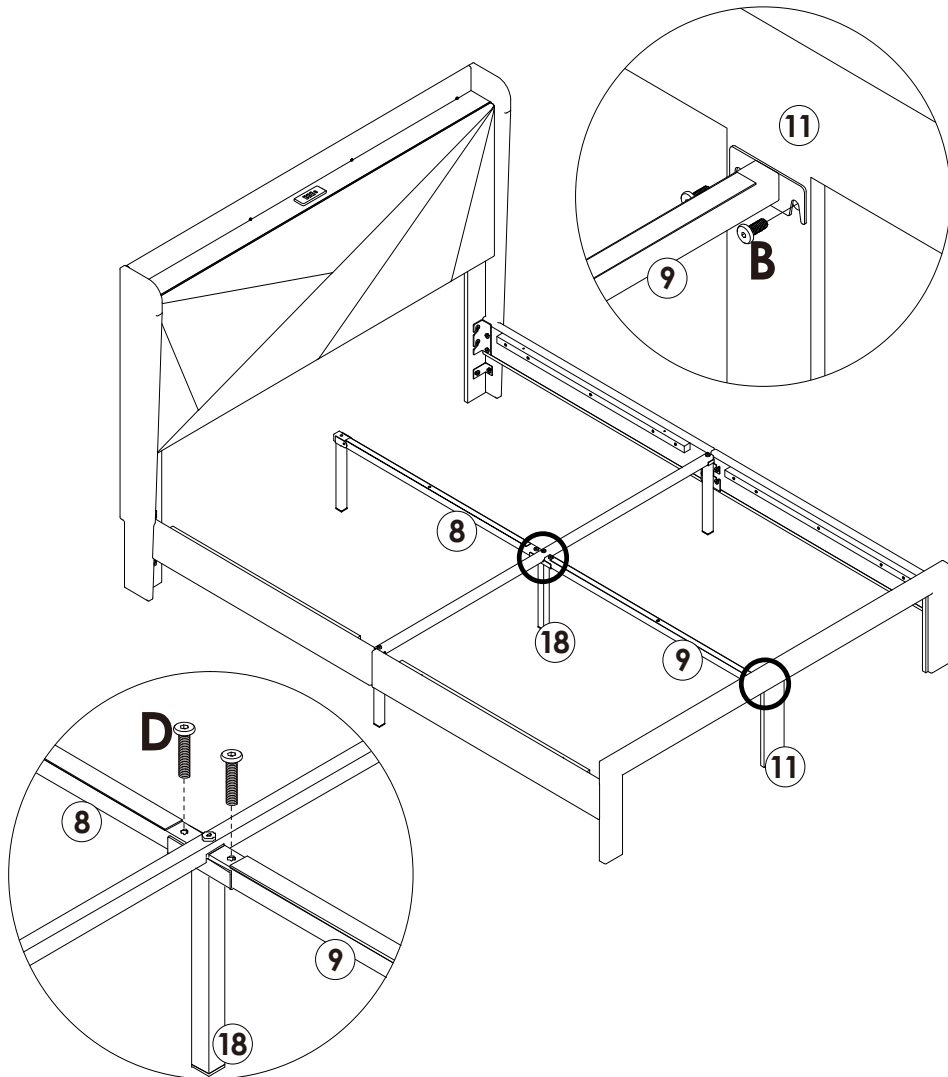
D 5/16X34

B 5/16X16



2 PCS

2 PCS

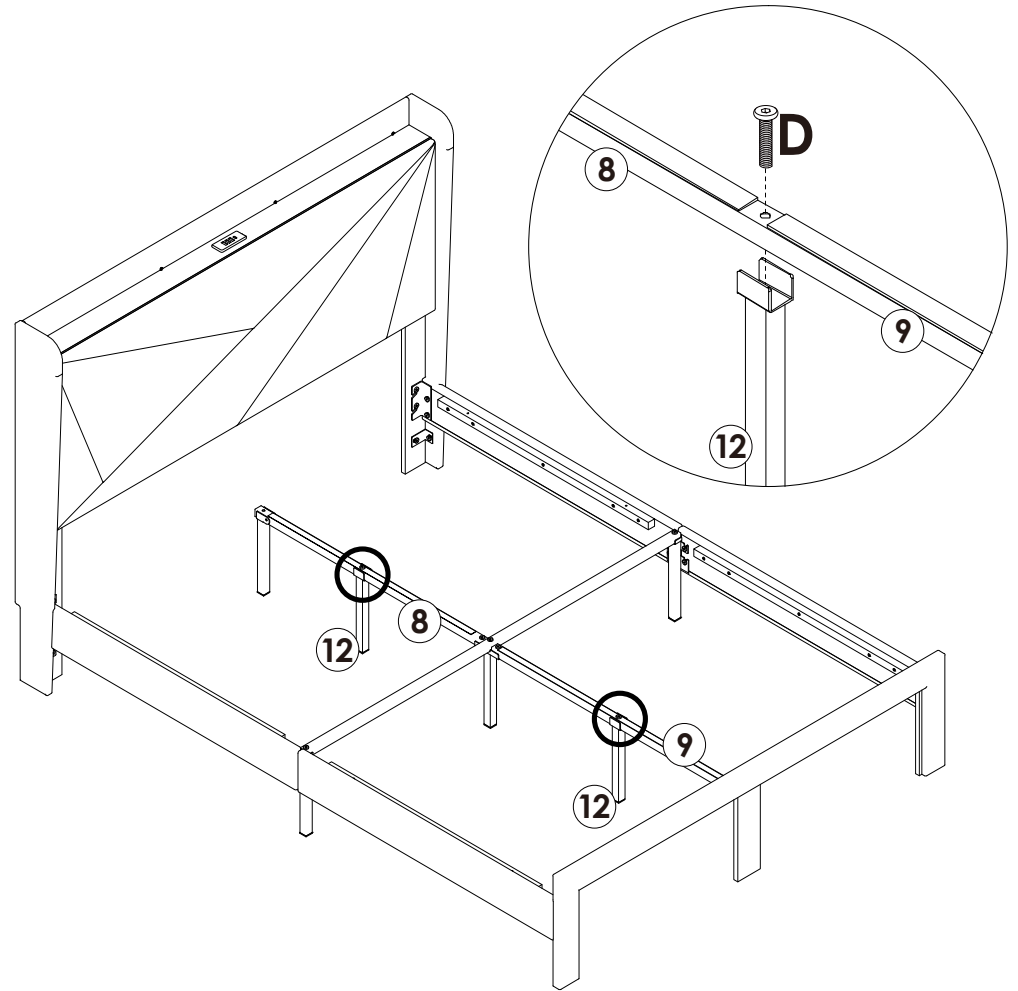


Step:16

D 5/16X34





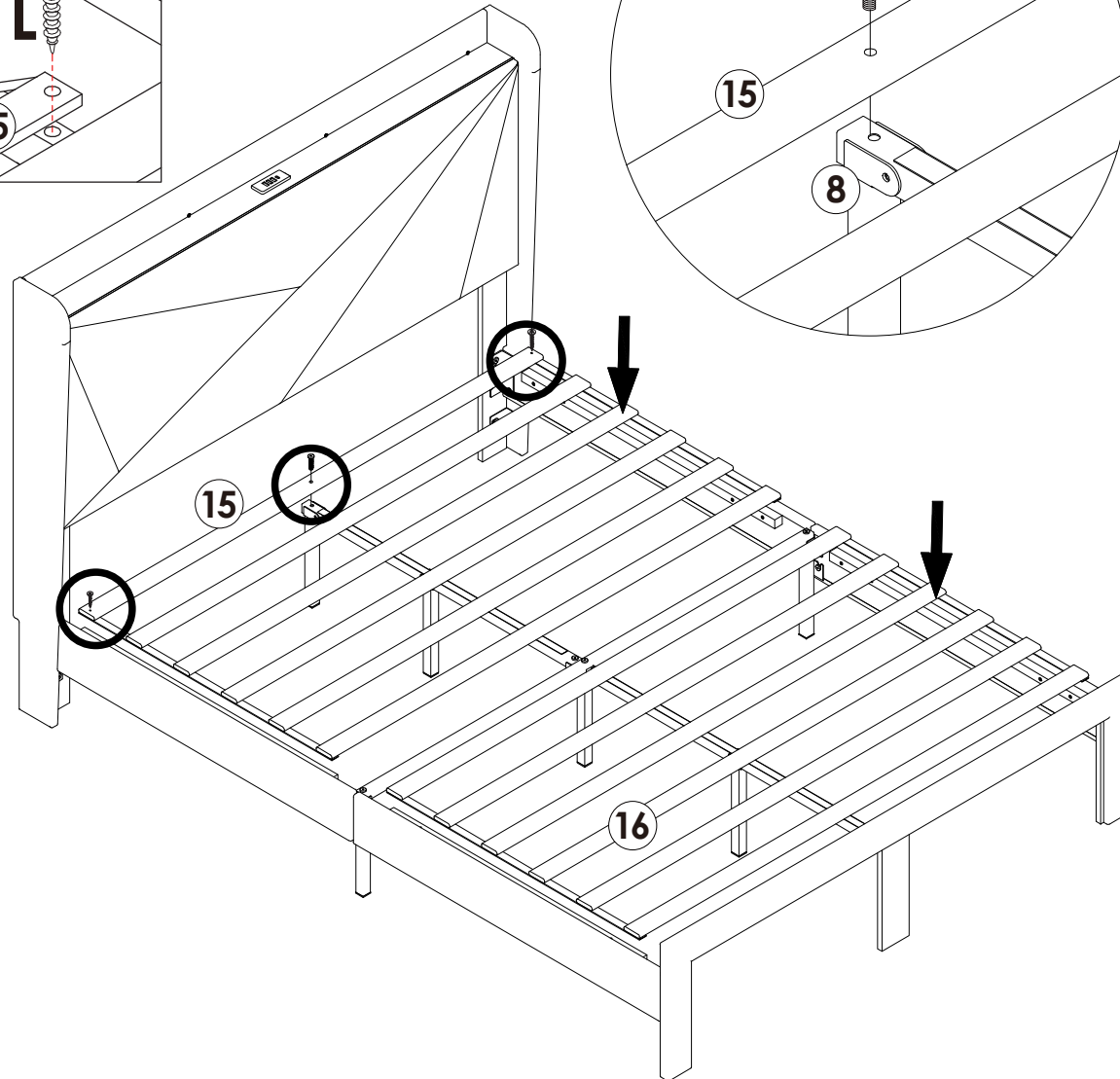
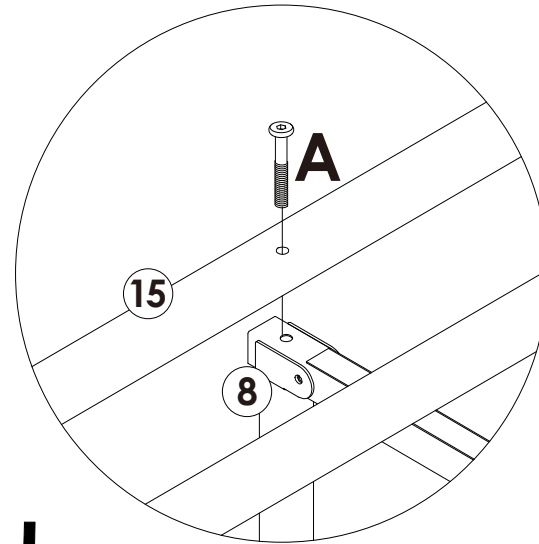
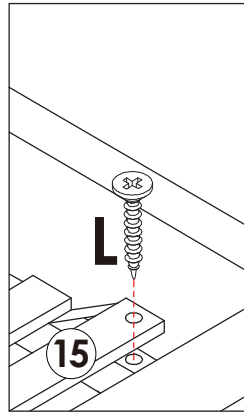
2 PCS



Assembly Instruction of Bed

Step:17

A 1/4X50  1 PC	L M4X25  2 PCS
---	---



Assembly Instruction of Bed

Step:18

