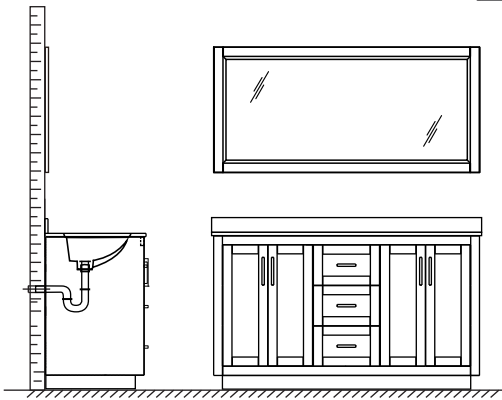
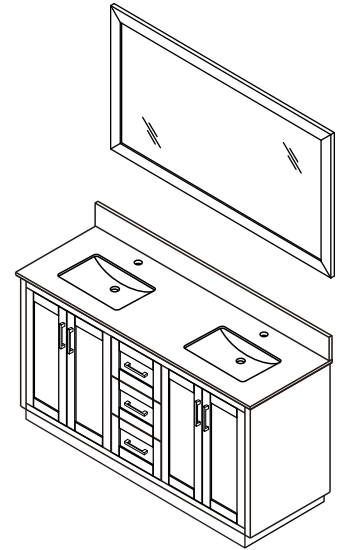


# WYNDHAM COLLECTION

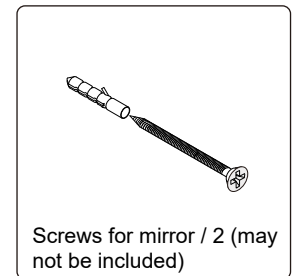
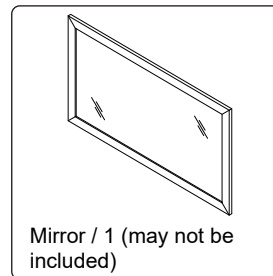
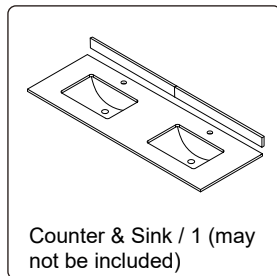
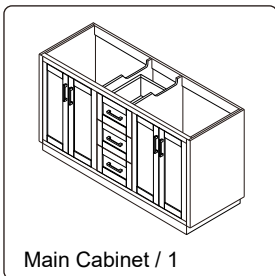


- Prior to installation please check received items against the "Packing List". Please report any missing items to your retailer immediately.
- Protect all surfaces from sharp objects, high heat sources, direct prolonged sunlight and chemical hazards.
- Professional installation recommended.
- Please install on a level surface. If minor door and drawer alignment is required, please follow the easy directions below.
- Backsplash comes in two pieces.

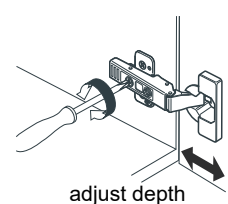
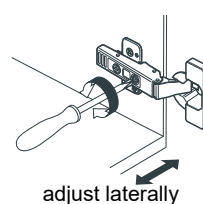
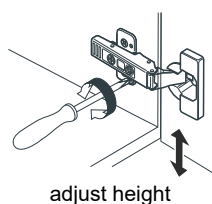
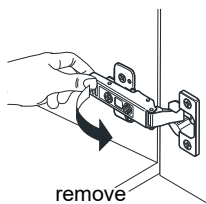
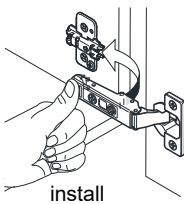


## PACKING LIST

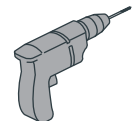
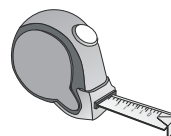
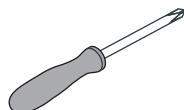
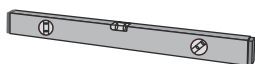
(Not all components may be included, depending upon your purchase)



## HOW TO ADJUST HINGES (if required)



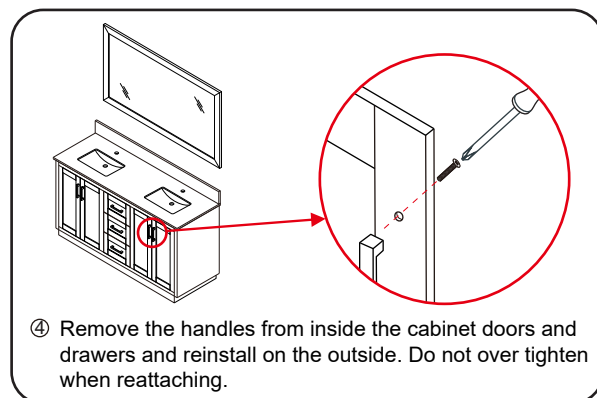
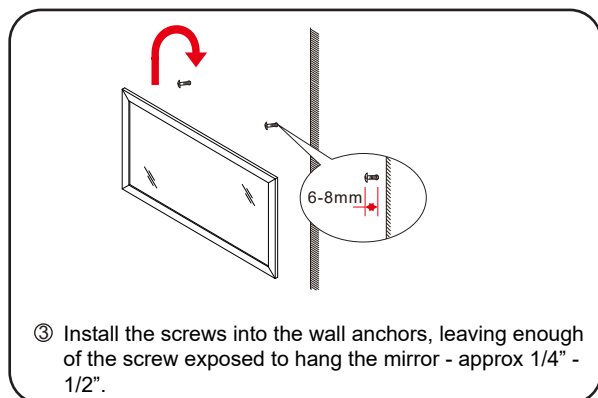
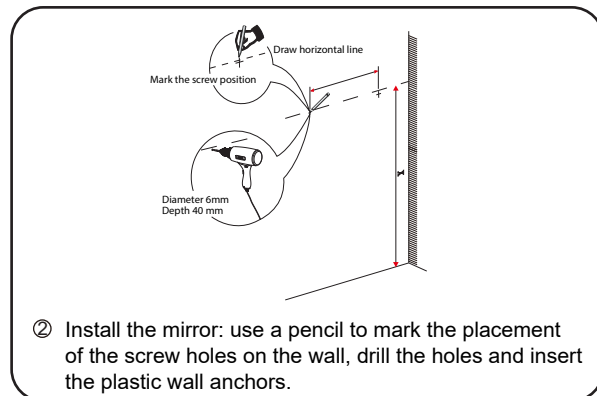
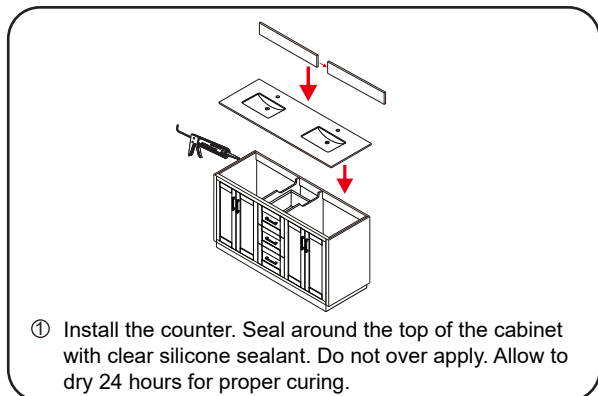
## REQUIRED TOOLS NOT IN BOX



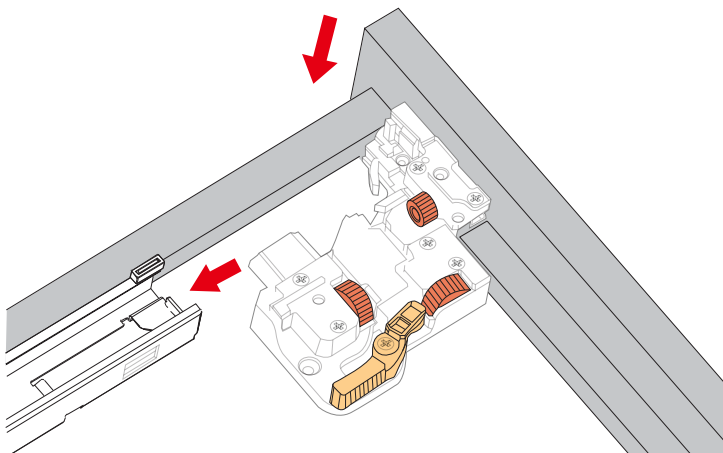
# WC-2929-72-DBL Installation Guide

# WYNDHAM COLLECTION

## INSTALLATION INSTRUCTIONS

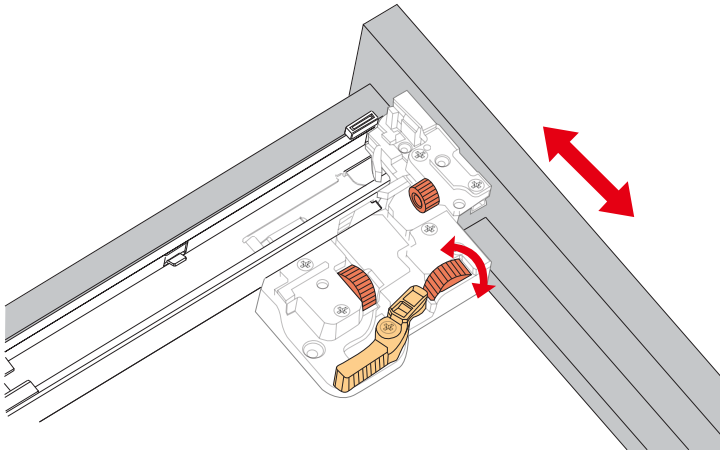


## HOW TO ADJUST DRAWER SLIDES (if required)

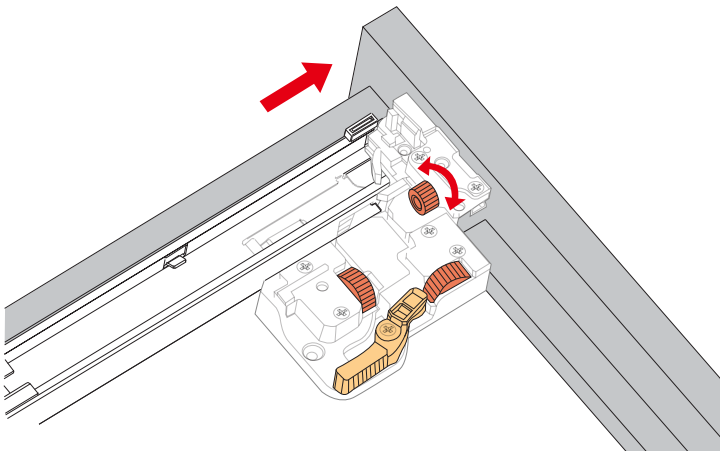


WC-2929-72-DBL  
Installation Guide

# WYNDHAM COLLECTION



Side Adjustment



Depth Adjustment



Scan the QR code with your phone to watch detailed video instructions or visit [www.wyndhamcollection.com/3dslides](http://www.wyndhamcollection.com/3dslides)

WC-2929-72-DBL  
Installation Guide