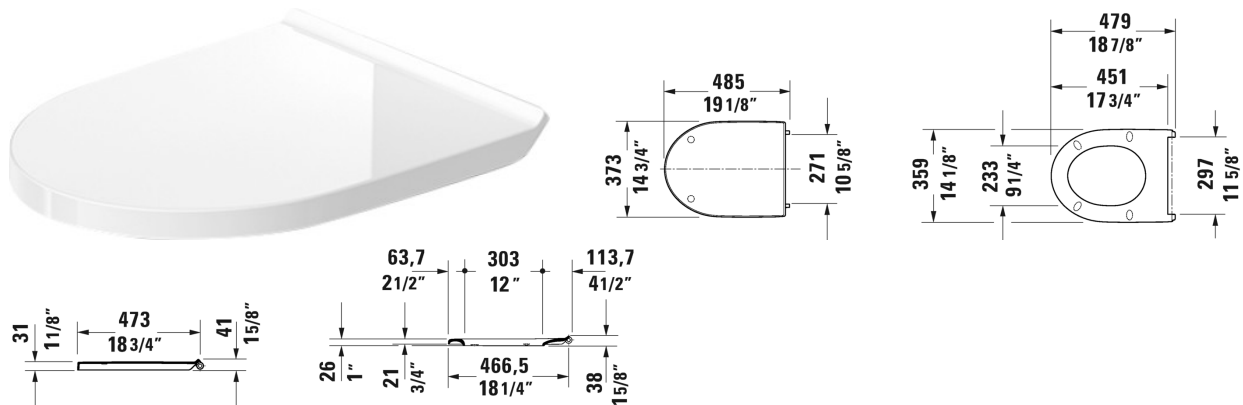


Duravit No.1 Toilet seat and cover # 0025290000



Toilet seat and cover	Dimension	Weight	Order number
removable, elongated, hinges stainless steel, with slow close			
Colors			
00 White			
Variant			
		5.5 lb	0025290000
Suitable products			
One-Piece toilet Duravit Rimless® rimless, WaterSense® listed, syphonic, 12" rough-in, vertical outlet, with dual flush piston valve, top flush, 1.32/0.92 gpf, cUPC® listed*, 14 3/8" x 28 1/8" Inch	14 3/8" x 28 1/8" Inch		219601
One-Piece toilet Duravit Rimless® rimless, WaterSense® listed, syphonic, 12" rough-in, vertical outlet, 1.28 gpf, cUPC® listed*, 14 3/8" x 28 1/8" Inch	14 3/8" x 28 1/8" Inch		219501
Two-Piece toilet Duravit Rimless® (without tank), WaterSense® listed, syphonic, 12" rough-in, vertical outlet, cUPC® listed*, 14 3/8" x 27 3/4" Inch	14 3/8" x 27 3/4" Inch		218801
Tank for bottom left supply, WaterSense® listed, 1.28 gpf, 15 1/8" x 6 3/4" Inch	15 1/8" x 6 3/4" Inch		094150

All drawings contain the necessary measurements which are subject to standard tolerances. They are stated in inch & mm and are non-binding. Exact measurements, in particular for customized installation scenarios, can only be taken from the finished ceramic piece.