



Website: www.casainc.com
Servicecontact: service@casainc.com
Customer Service : 888-257-3857

SHOWER FAUCET

Installation Manual



MB/BN/BG/ORB/CP

1、 Installation precautions

1. When you open the product packaging, please check the product and accessories at first. If there is any discrepancy, please contact our customer.
2. The hot and cold water supply pipe of the faucet must be properly connected. When facing the front of the faucet, the hot water supply is on the left and cold water supply is on the right. Incorrect connection will cause permanent damage to the cartridge.
3. If the accessories to be changed without affecting the use, we will not make a prior notice.
4. The impurities in the water supply pipe must be cleared before installation to avoid blockage.
5. The water pressure of the faucet is 0.05MPa-1.0MPa(including cold water and hot water pressure). Applicable water temperature range:39 °F-194°F.

2、 Preparation before installation

1. Please read the installation manual carefully before installation.
2. Installation work must be performed by a professional installer.
3. Installation tool:

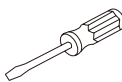
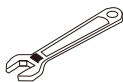
Plumber's
putty



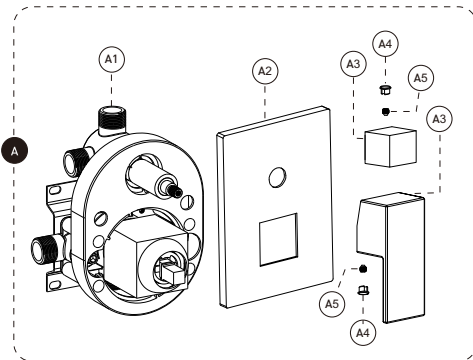
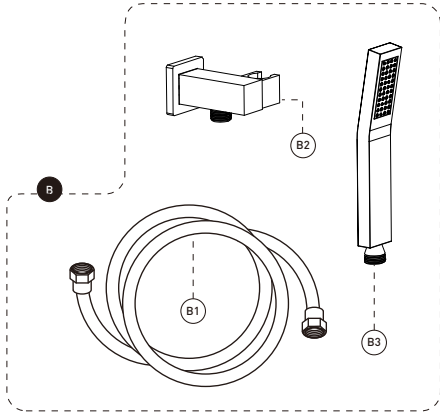
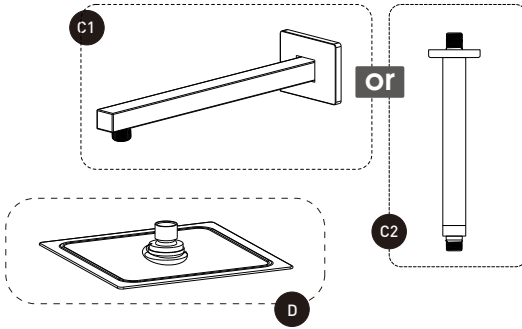
Thread seal
tape



Included



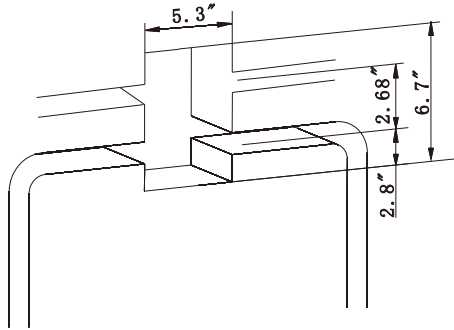
3、 Concealed faucet accessories list



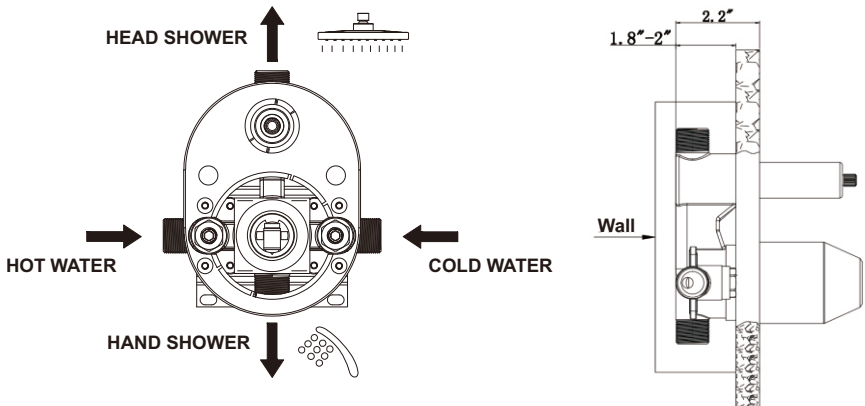
No	Description
A	Pressure balanced diverter valve
A-1	Valve
A-2	Face plate with sealjoint
A-3	Diverter knob kit
A-4	Trim cap
A-5	Index
B	Sliding bar kit with flexible hose
B-1	Flexible hose
B-2	Hand shower holder
B-3	Hand shower
C1	Shower arm and flange kit
C2	Ceiling shower arm and flange kit
D	Shower head
E	Bath spout

4、 Technical drawing of drilling size

1. The size of the embedded box that needs to be drilled is 5.3"×6.7".

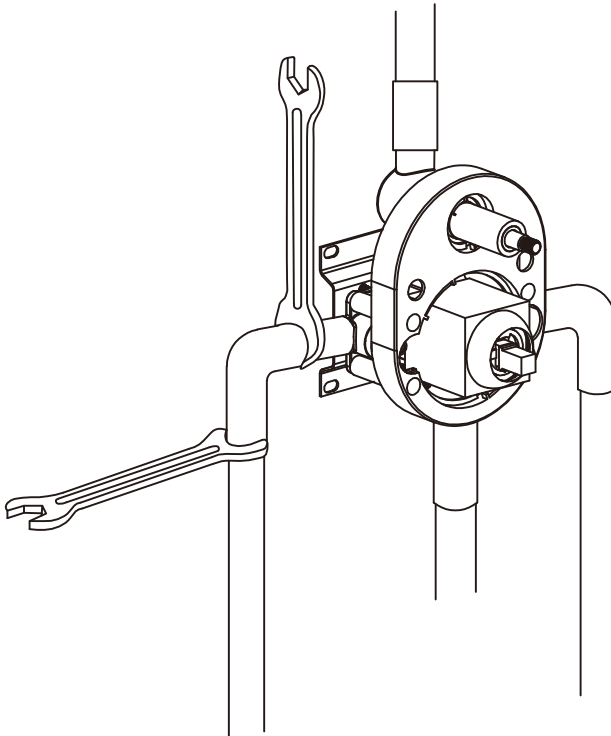


2. The depth of the embedded box is 1.8"-2.2". It's better to drill the depth of 1.8" for blank wall.



5、 Pipe connection

1. Please drill the holes on the wall for the main body embedded part, hot and cold water inlet pipes as well as shower arm connection pipes according to the basic product dimension drawing as below.
2. Please make hot and cold water inlet pipe, the mixed water outlet pipe connect with control valve, and tighten with the wrench.

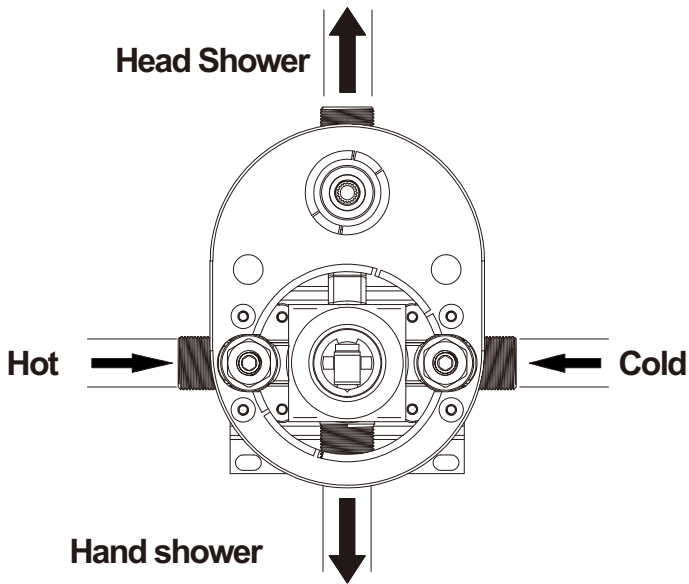


6、 Water testing and sealing testing

1. After the pipe connection is completed, open the protective panel and cover, and then open the cartridge, flush the pipeline; then close the cartridge to check the pressure resistance and sealing performance of the pipeline, make sure there are no leakage.

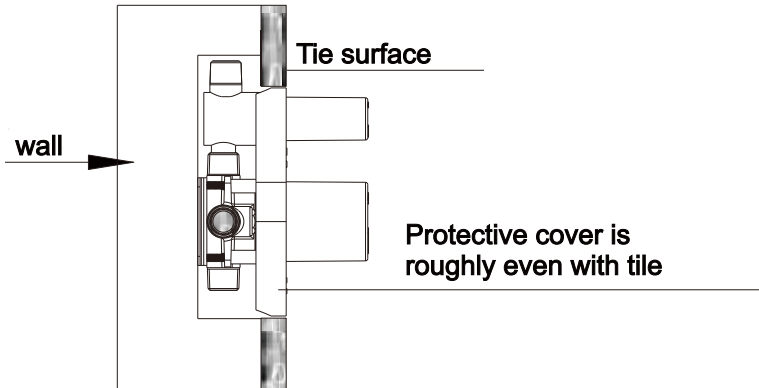
2. Block each outlet pipe with a stopper then open the cartridge to check if the pipe joint is well-sealed and the pipe condition under pressure to ensure no leakage

Testing Purpose: Flush the impurities and sludge in the pipeline to avoid clogging and affect the effluent functions.



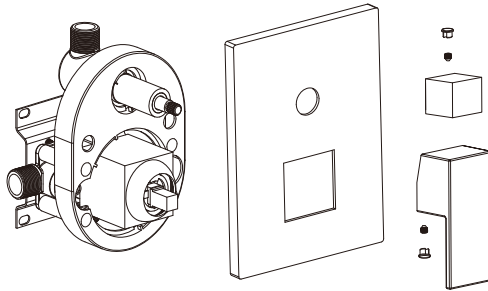
7、 The procedure of sealing the wall

Use a parallel ruler to measure the flatness of the embedded box casing and the vertical wall surface. If the wall surface is not flat, it should be patched to ensure the embedded box casing and vertical wall angle meets at nearly ideal angle of 90, then lay the tile decoration.

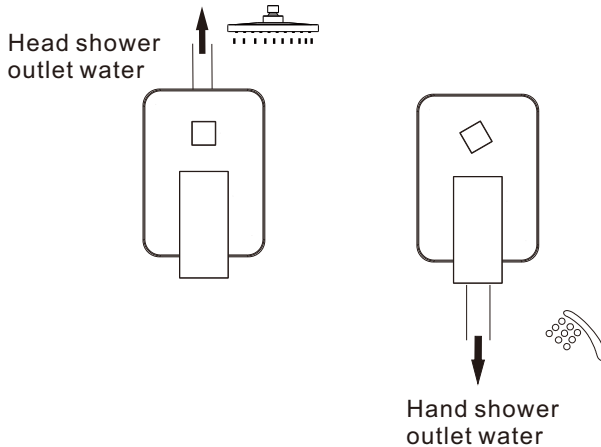


8、 Installation of control valve

1. Take off the protective panel and cover.
2. The decorative panel and the handle are connected to the control valve as shown below sequence.

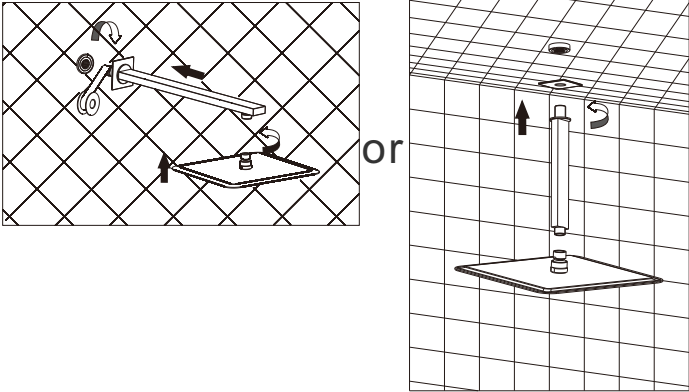


3. According to the figure below, please correctly adjust the direction of water separator handle.

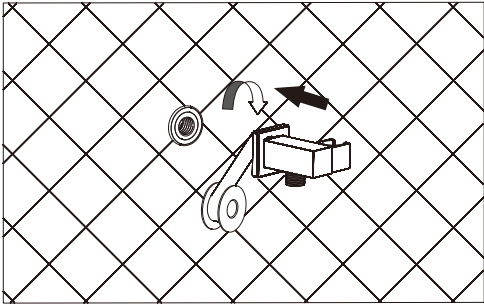


9、 Shower sets installation

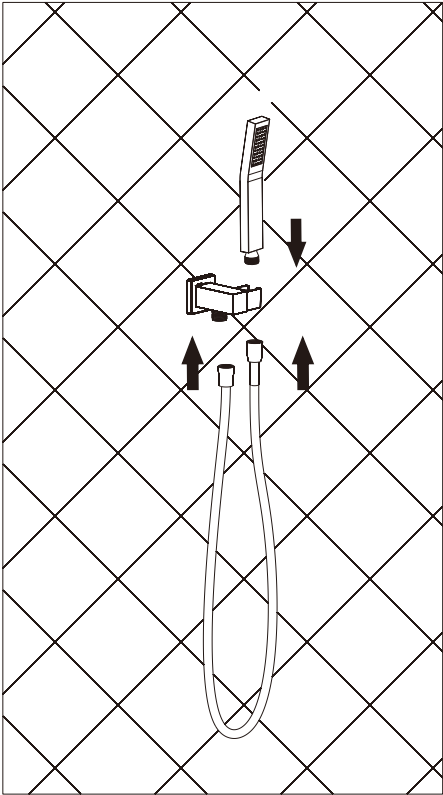
①



②



10、 Handle shower installation



11、 Product reparation

If the cartridge is worn out which cause leakage, please turn off the water source. Remove the handle, panel, and decorative cover in sequence, remove the gland with a wrench, then take out the cartridge and copper sleeve. Repair or replace the new cartridge, then install it again in sequence.

12. Clearance and maintenance

In order to keep the faucet appearance smooth and good performance, please follow the below steps to clean and maintain the faucet.

1. Clean with water and dry with a soft cotton cloth.
2. Use a mild liquid and a colorless glass cleaner to remove surface dirt and scale, also you can use the cleaner without grinding function.
3. Do not use detergents, polishing tools, abrasive cloth, paper towels or scrapers to clean the faucet.
4. Do not use acid cleaners, insoluble granular detergents, soaps etc to clean the faucet.