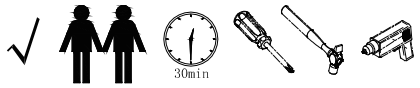
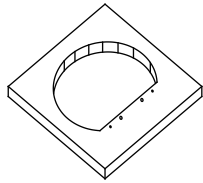


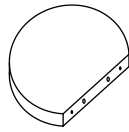
Assembly Instructions



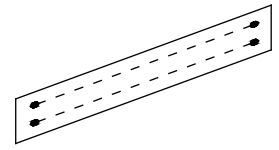
Components



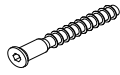
A*2



B*2



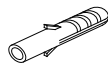
Paper Template



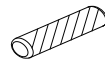
a*4



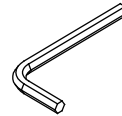
b*4



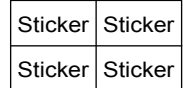
c*4



d*4



e*1

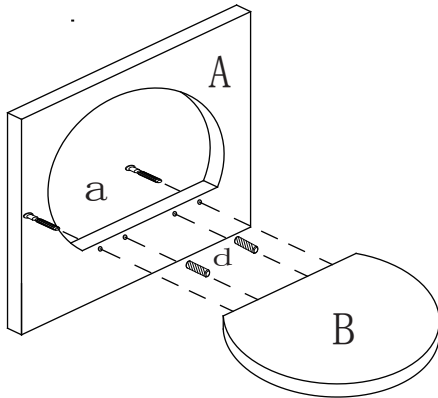


Sticker*4

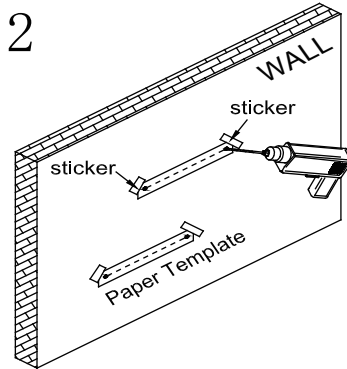
Weight Capacity

6.6 Ibs

① × 2

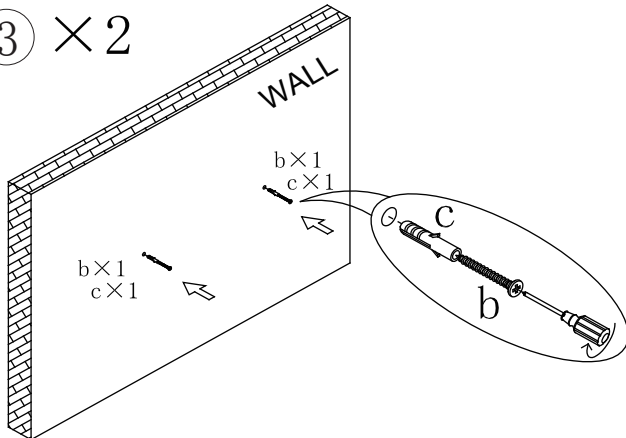


② × 2

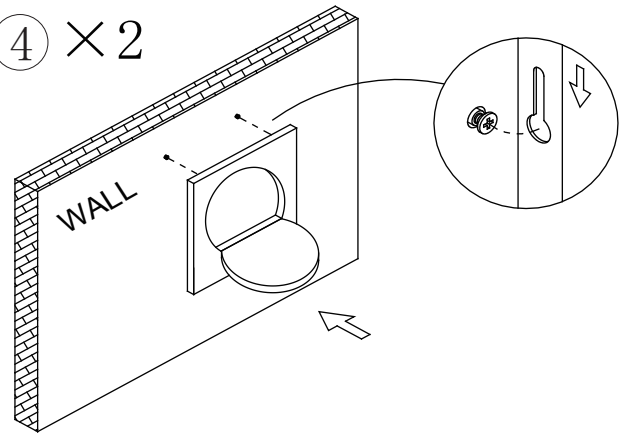


STICK PAPER TEMPLATE ON THE WALL

③ × 2



④ × 2



⑤

