

EN

With your inspiring rating, COSTWAY will be more consistent to offer you EASY SHOPPING EXPERIENCE, GOOD PRODUCTS and EFFICIENT SERVICE!

DE

Mit Ihrer inspirierenden Bewertung wird COSTWAY konsistenter sein, um Ihnen EIN SCHÖNES EINKAUFSERLEBNIS, GUTE PRODUKTE und EFFIZIENTEN SERVICE zu bieten!

FR

Avec votre évaluation inspirante, COSTWAY continuera à fournir une EXPÉRIENCE D'ACHAT PRATIQUE, des PRODUITS DE QUALITÉ et un SERVICE EFFICACE !

ES

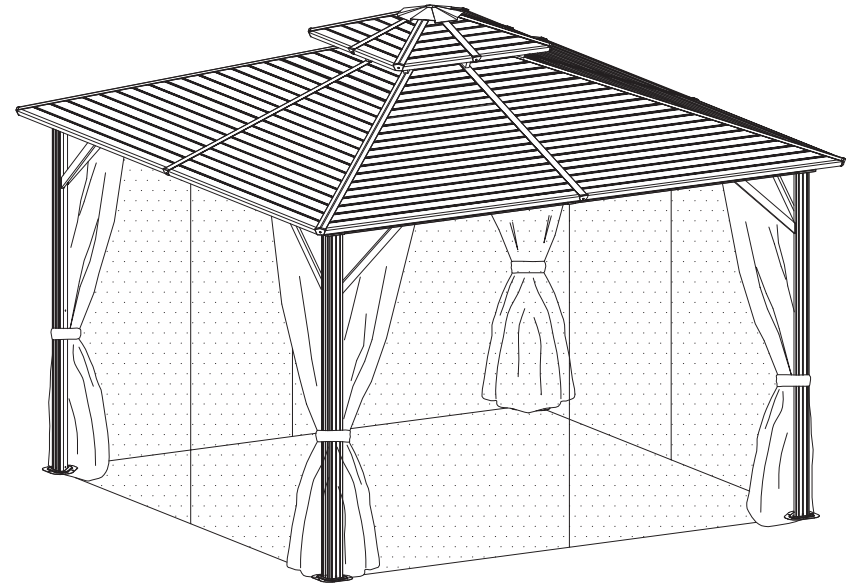
Con su calificación inspiradora, COSTWAY será más consistente para ofrecerle EXPERIENCIA DE COMPRA FÁCIL, BUENOS PRODUCTOS y SERVICIO EFICIENTE.

IT

Con la tua valutazione incoraggiante, COSTWAY sarà più coerente per offrirti ESPERIENZA DI ACQUISTO FACILE, BUONI PRODOTTI e SERVIZIO EFFICIENTE!

PL

Dzięki twojej opinii COSTWAY będzie mógł oferować jeszcze WYGODNIEJSZE ZAKUPY, LEPSZE PRODUKTY i SPRAWNIEJSZĄ OBSŁUGĘ KLIENTA.

**USER'S MANUAL****Patio Gazebo**

US office: Fontana **UK** office: Ipswich **AU** office: Truganina
DE office: Hamburg **FR** office: Saint Vigor d'Ymonville **PL** office: Gdańsk



A x 4
BOX - 1/3



B1 x 4
BOX - 1/3



B2 x 4
BOX - 1/3



C1 x 4
BOX - 1/3



C2 x 4
BOX - 2/3



D1 x 4
BOX - 2/3



D2 x 4
BOX - 2/3



E x 8
BOX - 2/3



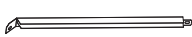
F1 x 4
BOX - 2/3



F2 x 4
BOX - 2/3



D3 x 4
BOX - 2/3



F3 x 4
BOX - 2/3



F4 x 4
BOX - 2/3



F5 x 4
BOX - 2/3



G1 x 4
BOX - 1/3



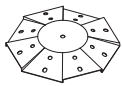
G2 x 4
BOX - 1/3



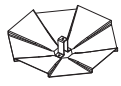
H x 4
BOX - 1/3



I x 4
BOX - 2/3



J1 x 1
BOX - 1/3



J2 x 1
BOX - 1/3



K1 x 12
BOX - 1/3



K2 x 8
BOX - 1/3



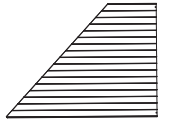
L x 4
BOX - 1/3



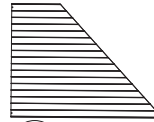
M1 x 4
BOX - 1/3



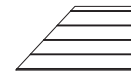
M2 x 4
BOX - 1/3



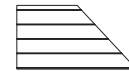
Q1 x 4
BOX - 3/3



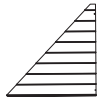
Q2 x 4
BOX - 3/3



R1 x 4
BOX - 3/3



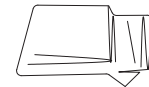
R2 x 4
BOX - 3/3



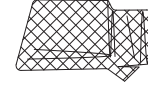
S1 x 4
BOX - 3/3



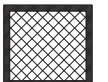
S2 x 4
BOX - 3/3



T1 x 4
BOX - 1/3



T2 x 4
BOX - 1/3



T3 x 1
BOX - 1/3



U x 96 + 4
BOX - 1/3



V x 16
BOX - 1/3



W x 12
BOX - 1/3



1 x 108 + 4
BOX - 1/3



M6x10



M5x12



ST4.8X12



2 x 88 + 2
BOX - 1/3

3 x 4
BOX - 1/3

4 x 24 + 2
BOX - 1/3

5 x 1
BOX - 1/3

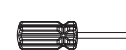


M6x50

6 x 12
BOX - 1/3



x 2
BOX - 1/3



x 1
BOX - 1/3

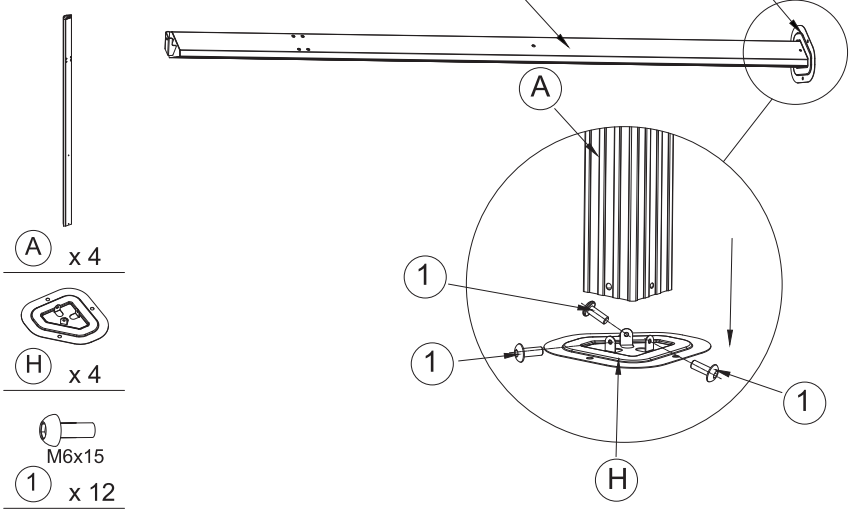


x 1
BOX - 1/3

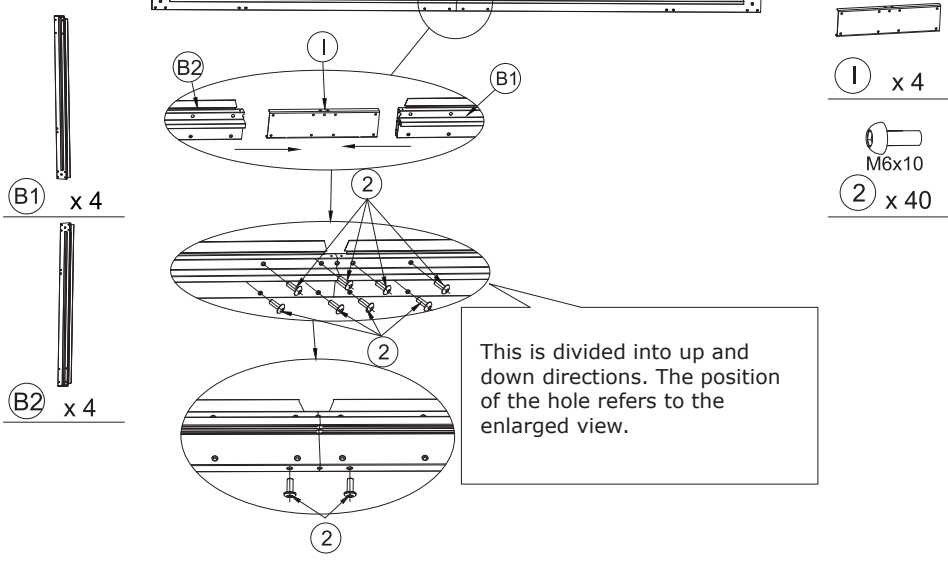


x 1
BOX - 3/3

1

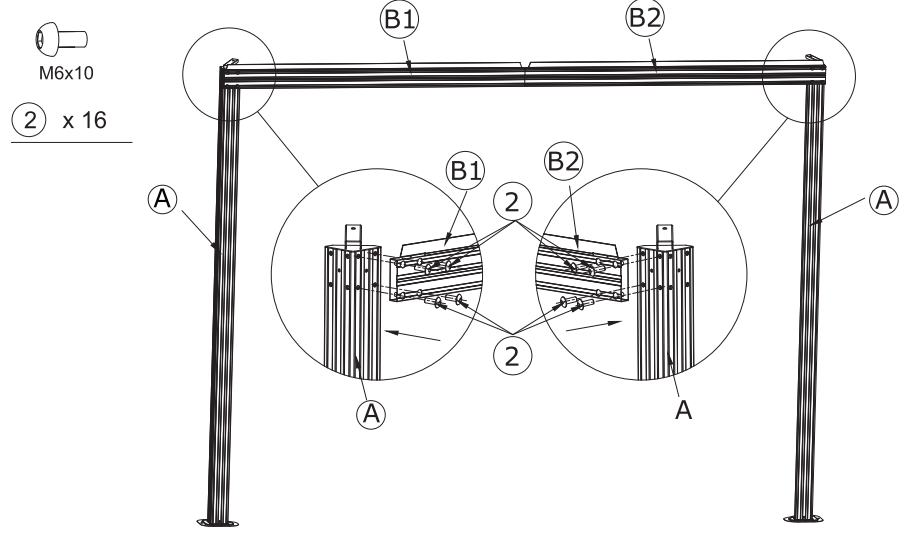


2

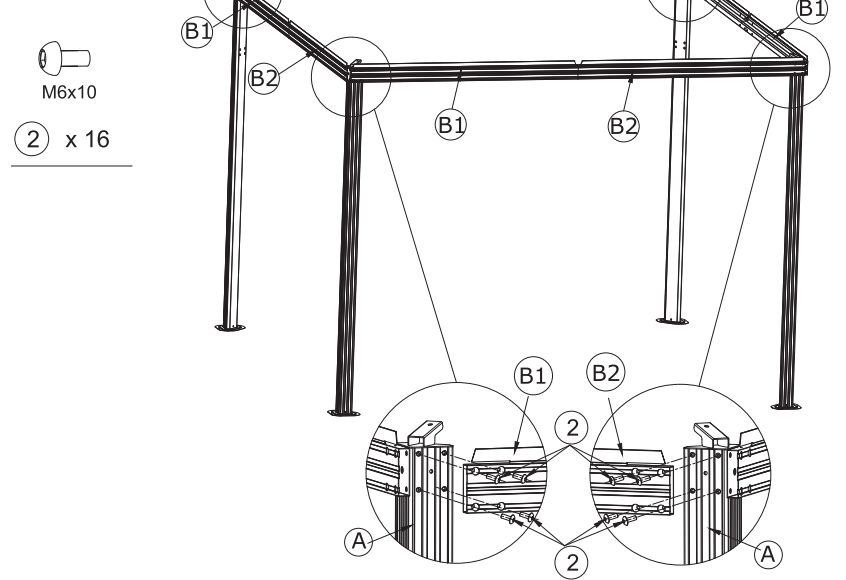


04

3

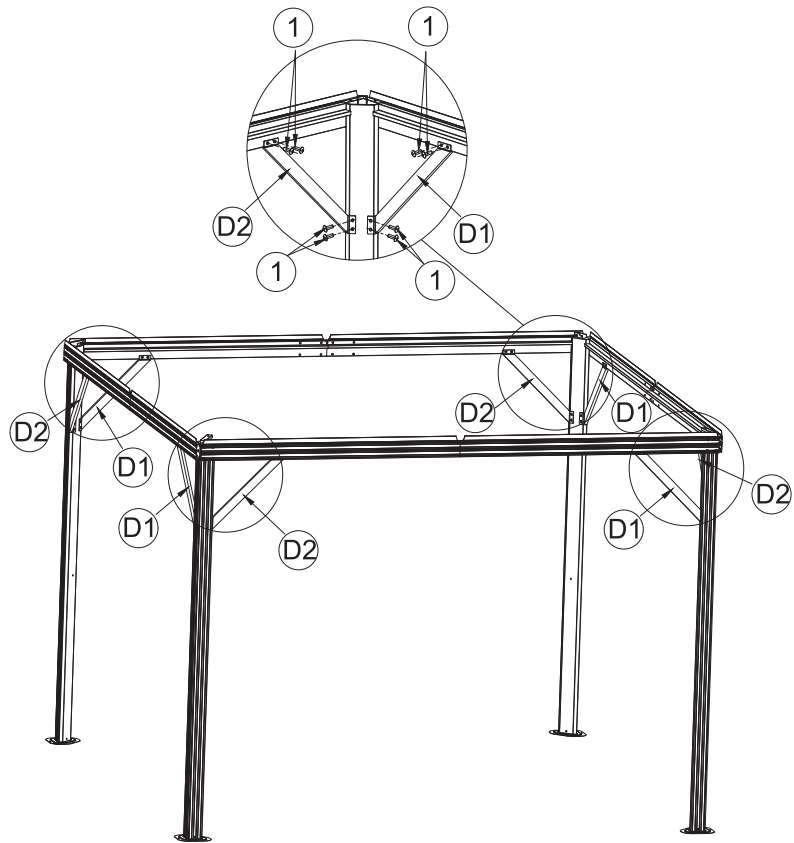
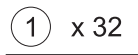
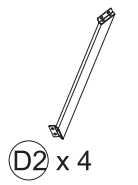
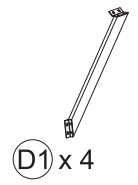


4



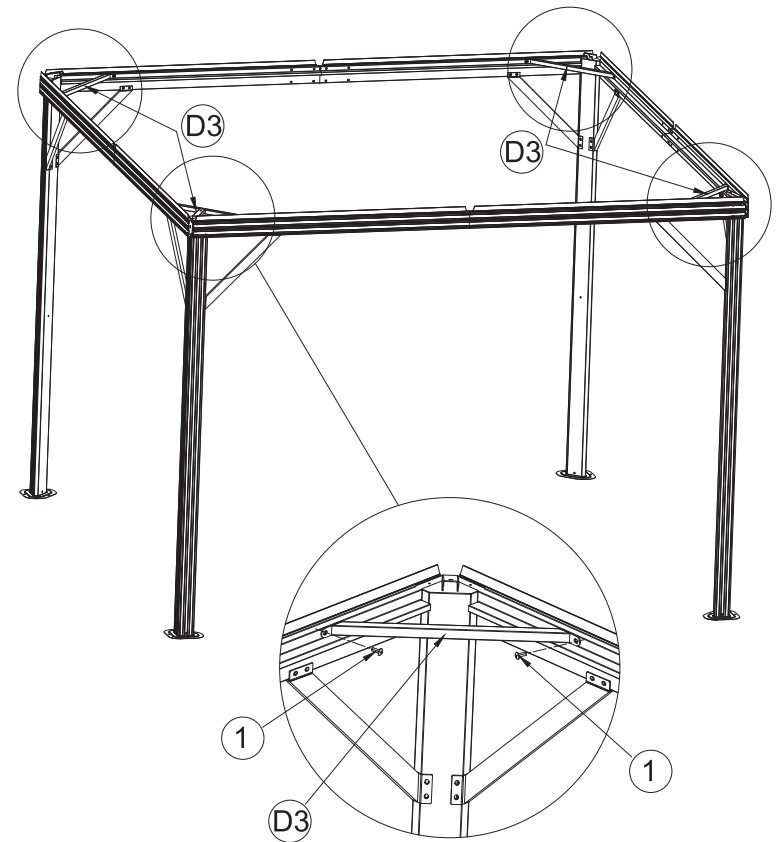
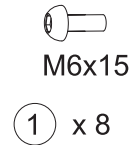
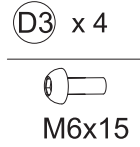
05

5

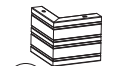
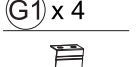


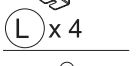


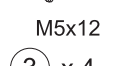


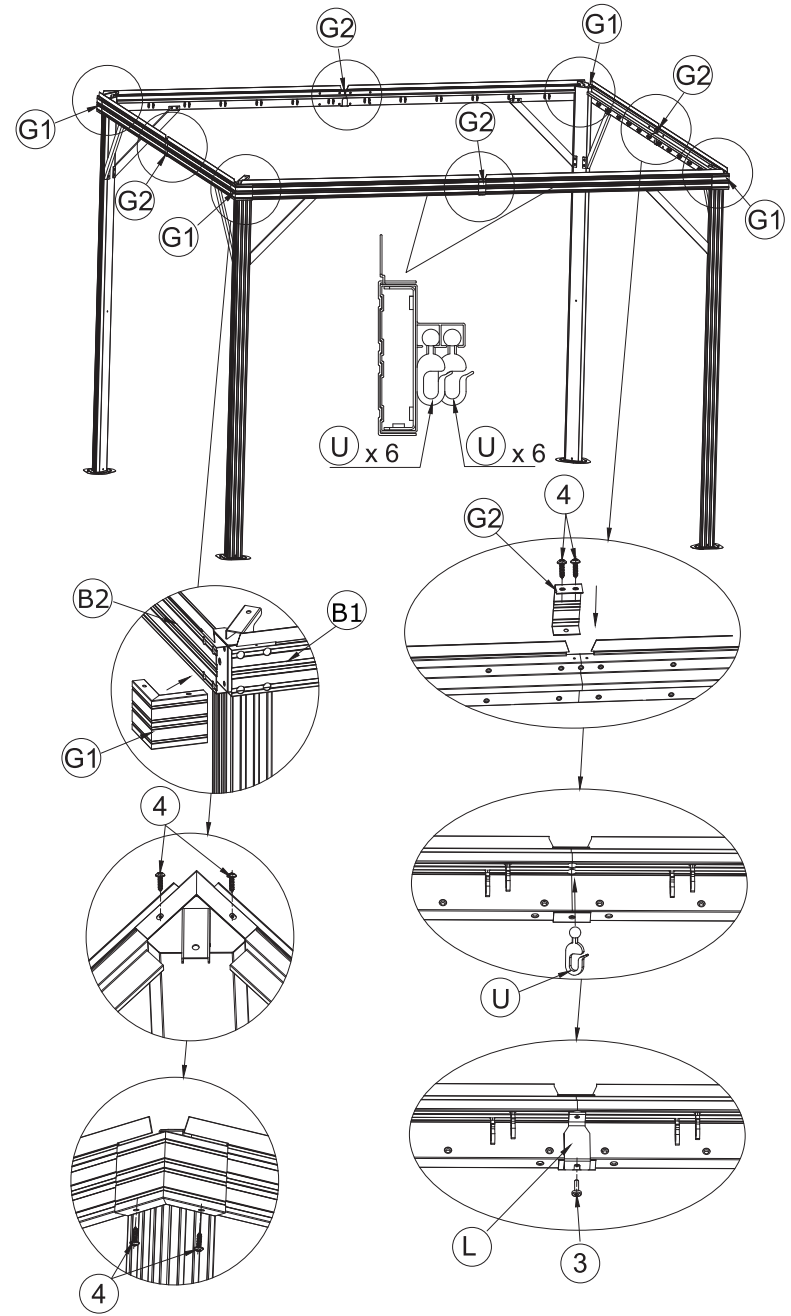
Firstly, install the screws on the beam, but do not tighten them. After the uprights are tightened, tighten the screws. If the hole position is not aligned, move the uprights to adjust the position.

6




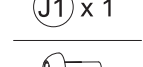


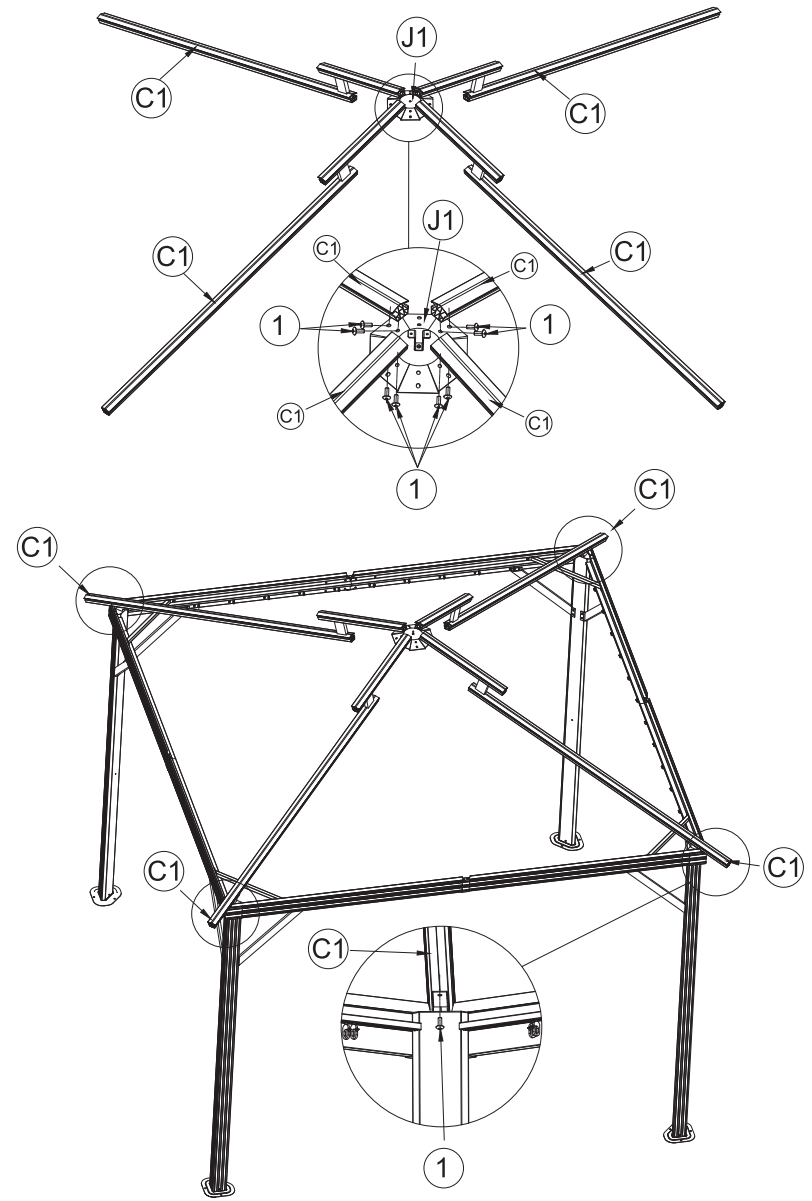
7

-  G1 x 4
-  G2 x 4
-  L x 4
-  U x 96
-  M5x12
-  3 x 4
-  ST4.8x12
-  4 x 24





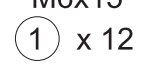
8

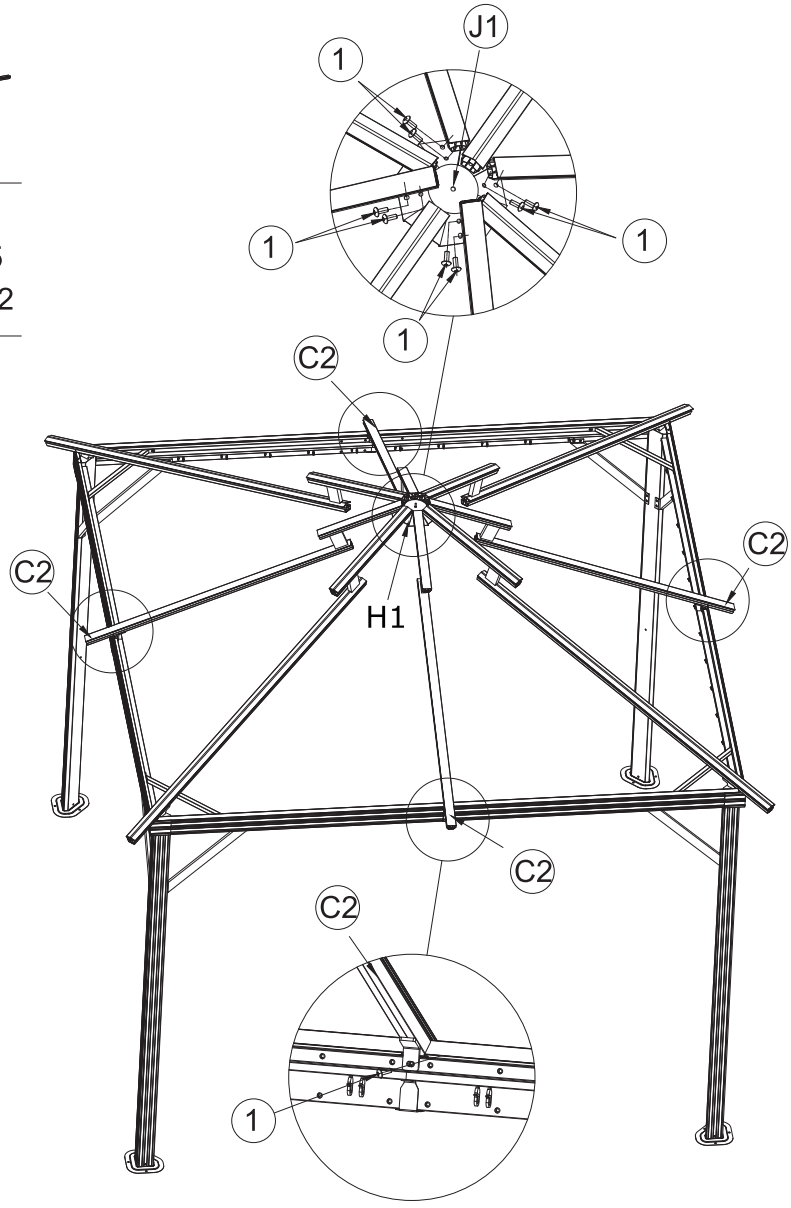
-  C1 x 4
-  J1 x 1
-  M6x15
-  1 x 12



9

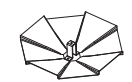
-  C2 x 4

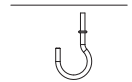
-  M6x15
-  1 x 12



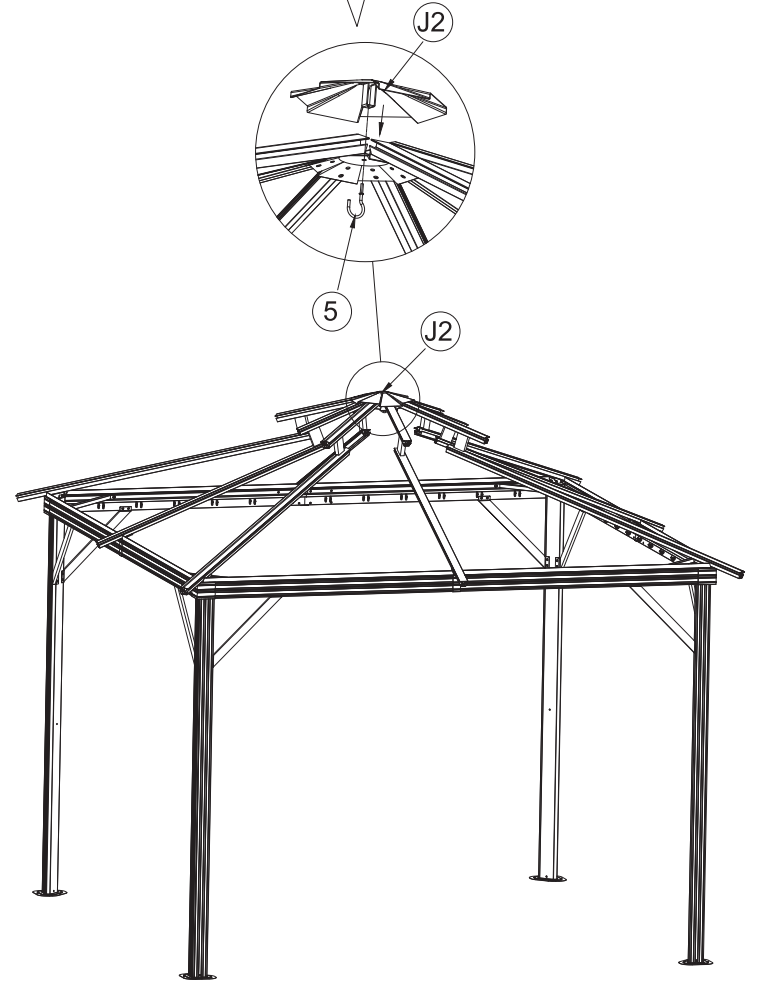
10

10

-  J2 x 1



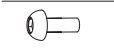
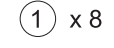
-  5 x 1

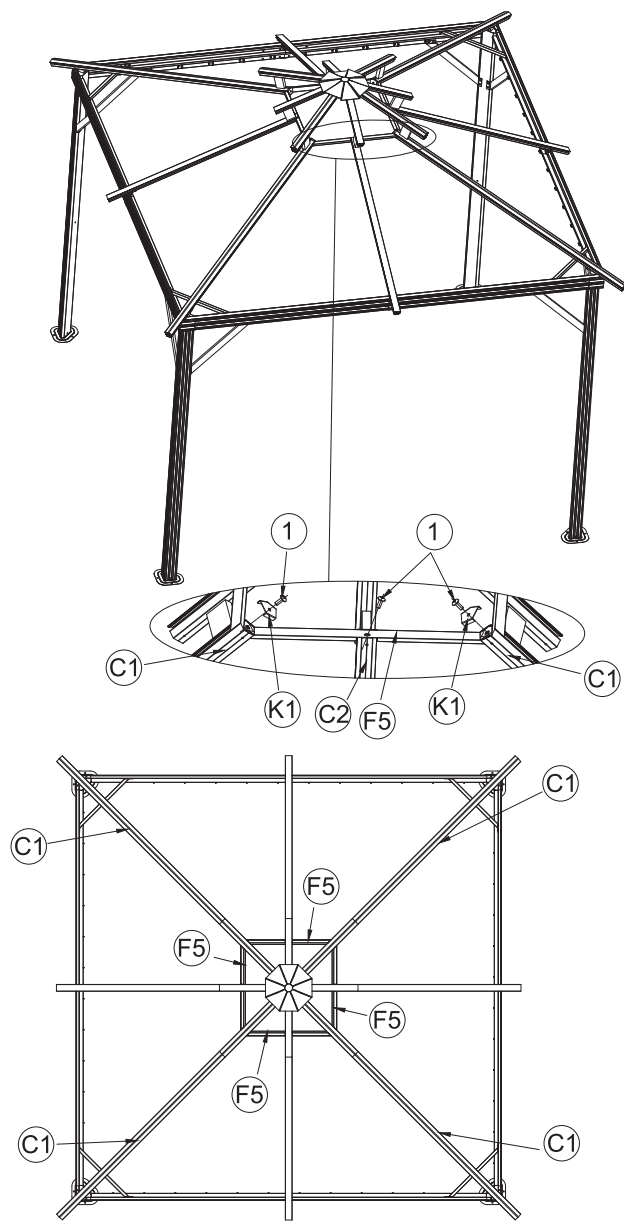
Do not tighten the screw now. Tighten screw until the 16 step is completed.



11

11

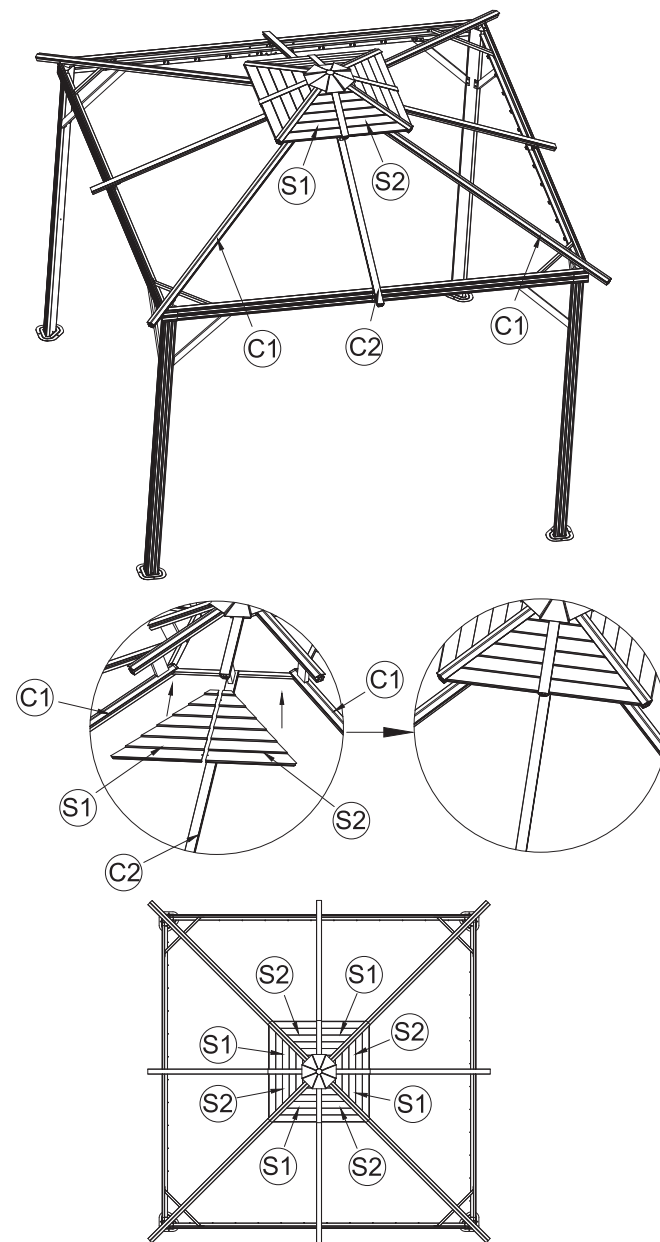
-  F5x4
-  K1x4
-  M6x15
-  1 x 8



12

12

-  S1 x 4
-  S2 x 4



13

13



F3 x 4



F4 x 4



K1 x 4

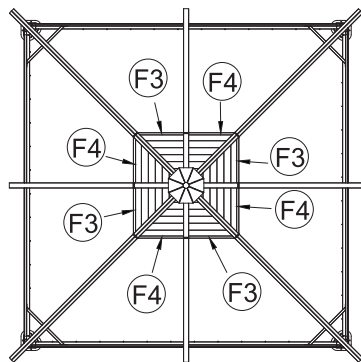
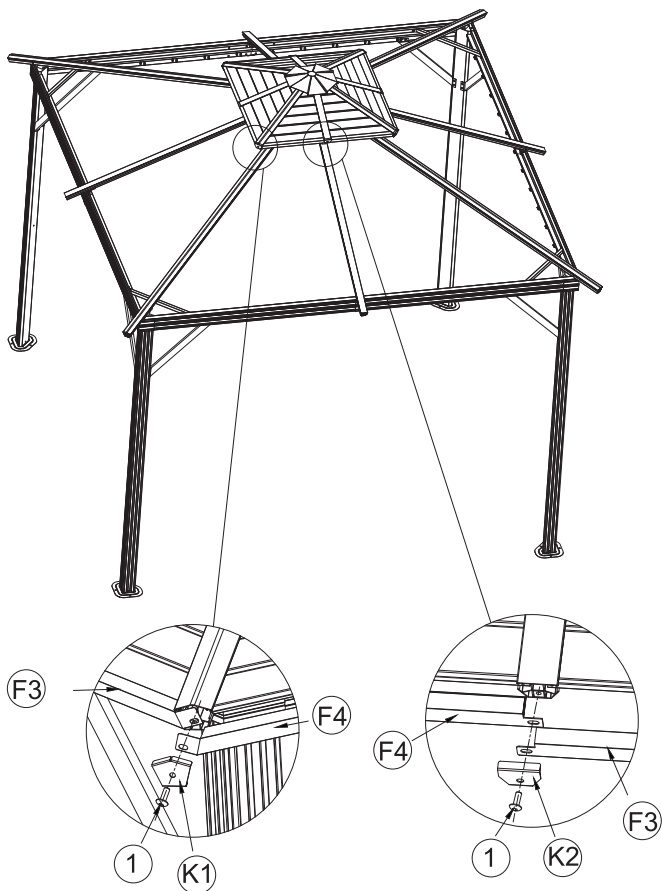


K2 x 4



M6x15

1 x 8



14

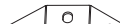
14



E x 8



M2 x 4



M1 x 4



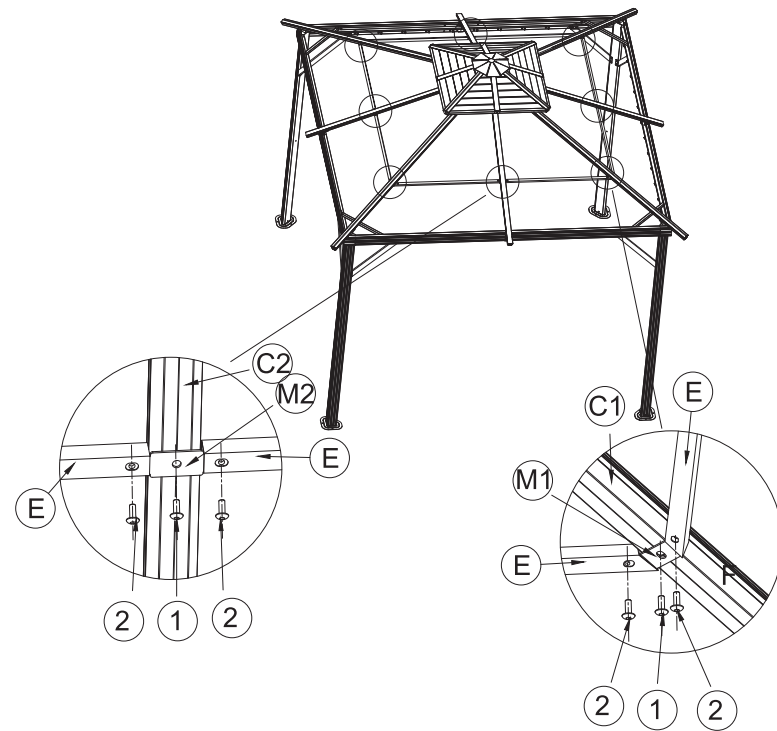
M6x15

1 x 8

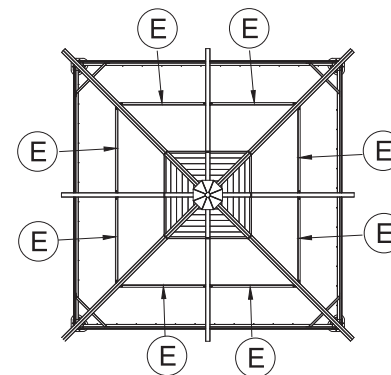


M6x10

2 x 16

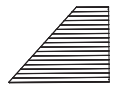


Install in the same direction, do not tighten screws fully until all parts are connected.

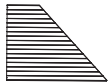


15

15



Q1 x 4



Q2 x 4



F1 x 4



F2 x 4



K1 x 4

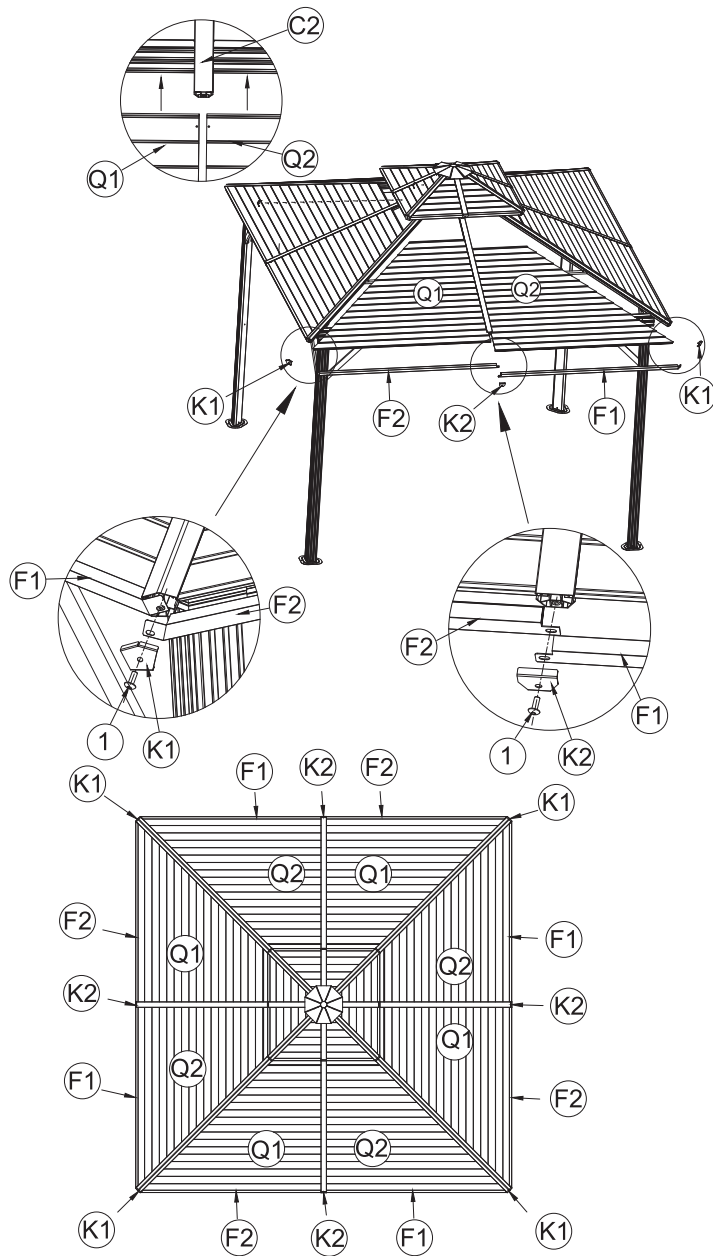


K2 x 4

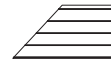


M6x15

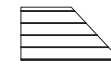
1 x 8



16



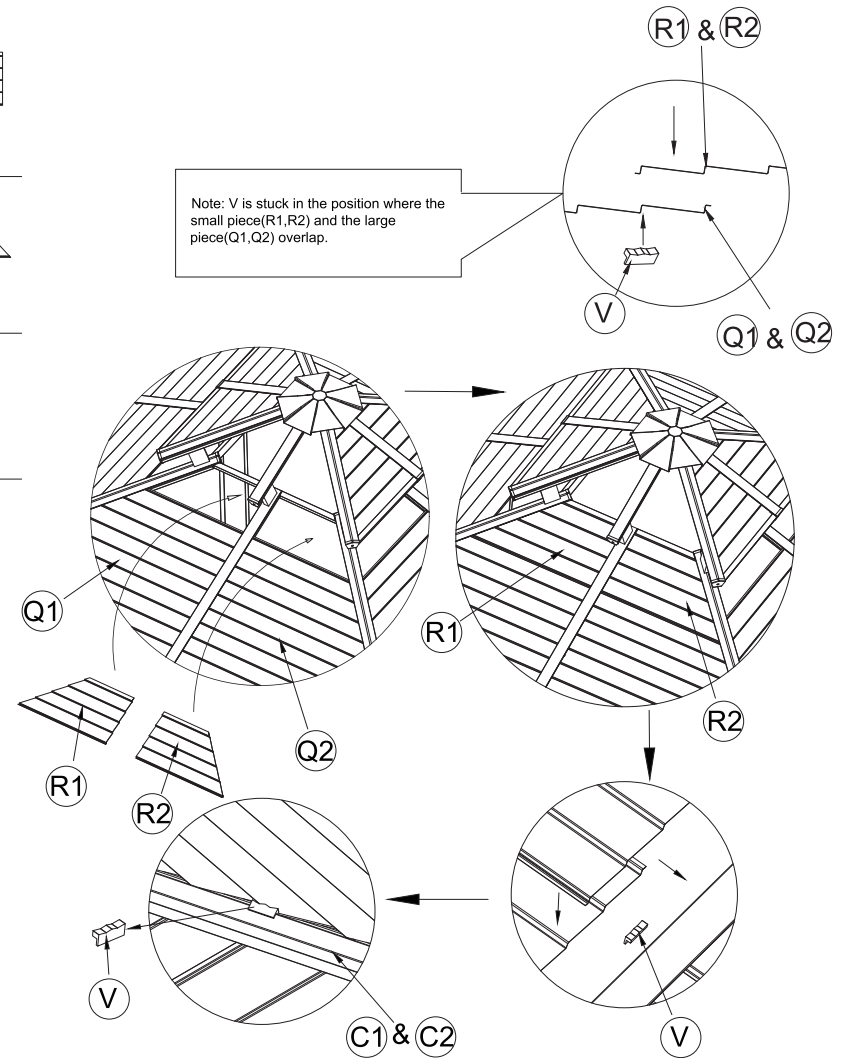
R1 x 4



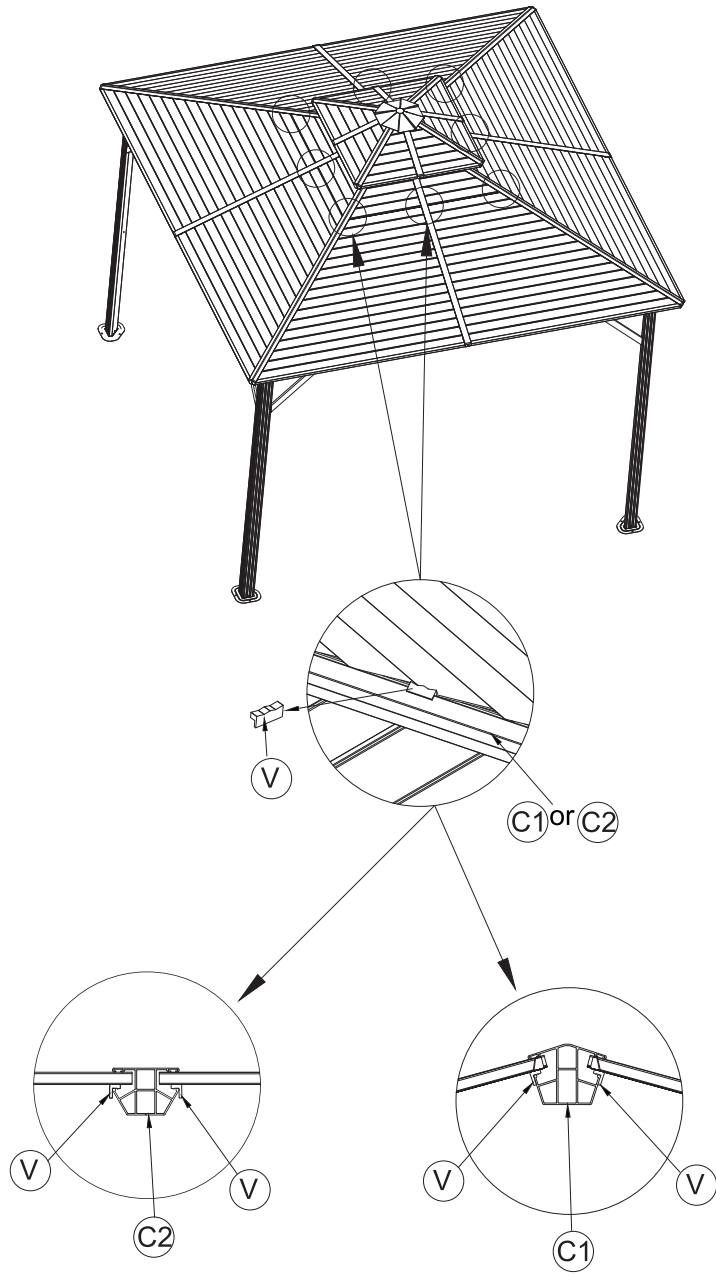
R2 x 4



V x 16

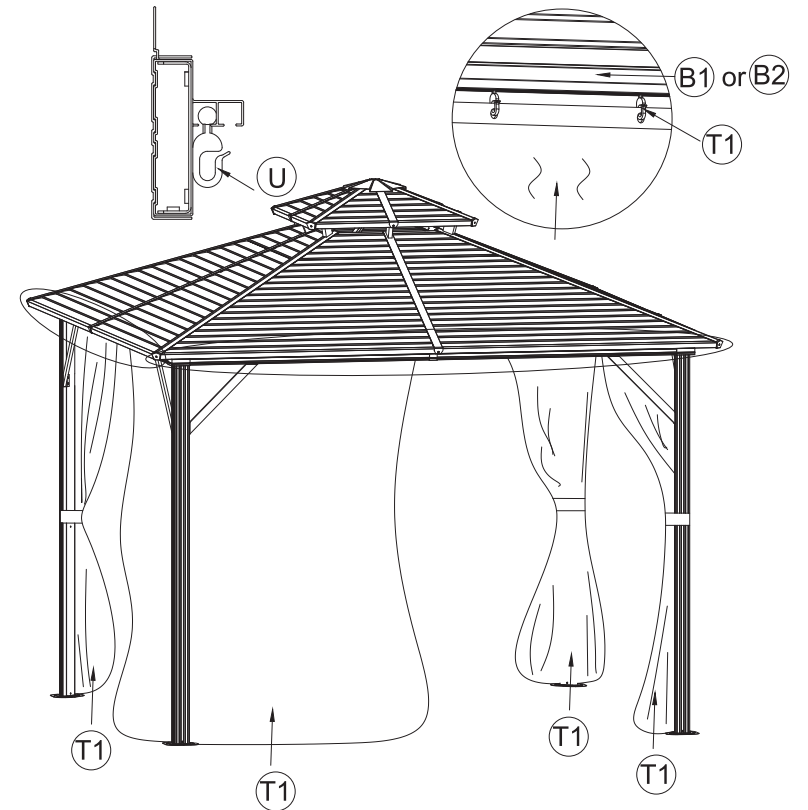
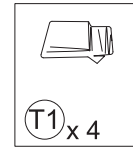


According to the installation order of (Q1,R1) → (Q2,R2) is the best.
There is a small hole on the edge of each sheet of iron. This is only a craft hole, not a defect.
The small hole is invisible after installation.



18

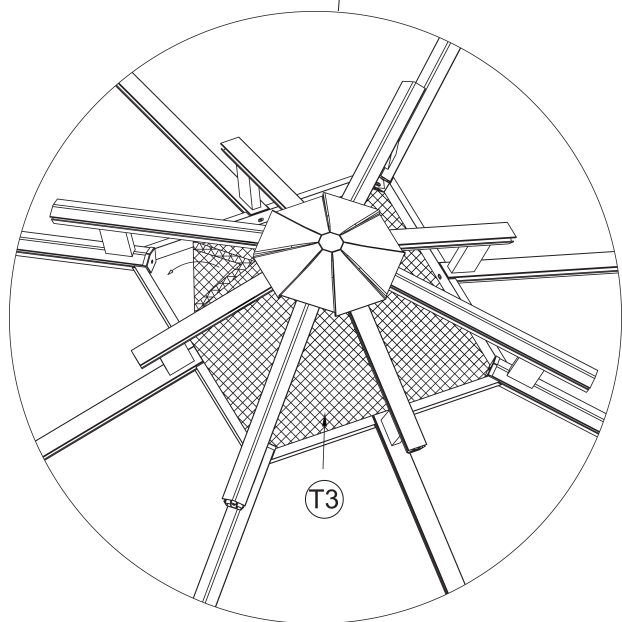
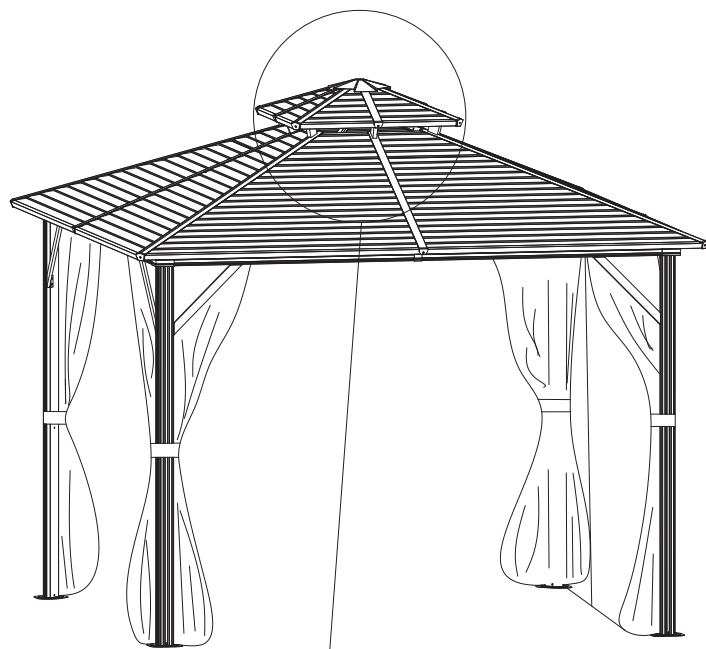
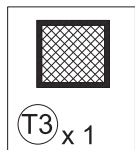
17



1. T1 and T2 are divided into left and right directions, identification method: take apart the four zippers, and install T1/T2 in a single piece. The iron hook on T2 passes through the hole on T1 and hooks on the small hole of the upright.
2. There is no separate Bandage on T1, the Bandage has been sewn on T2.

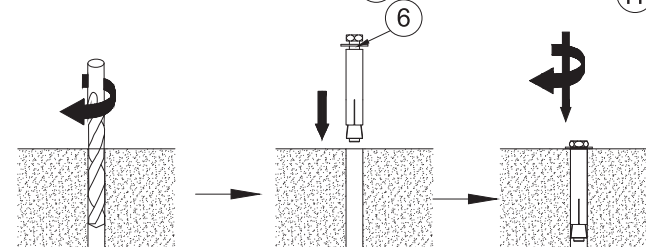
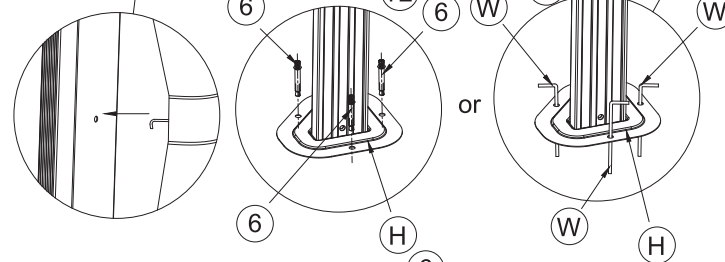
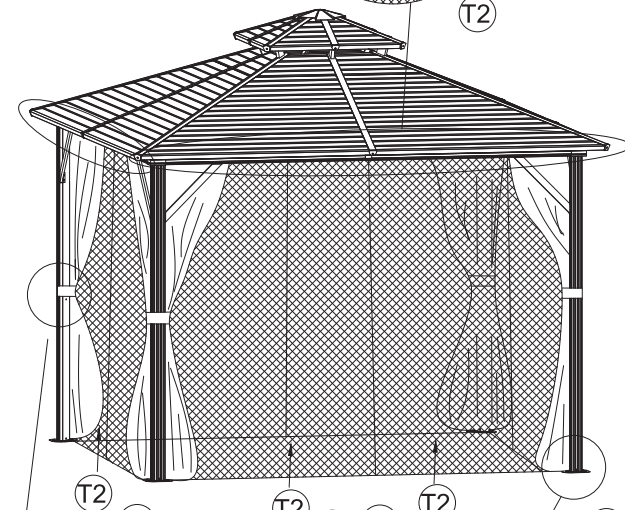
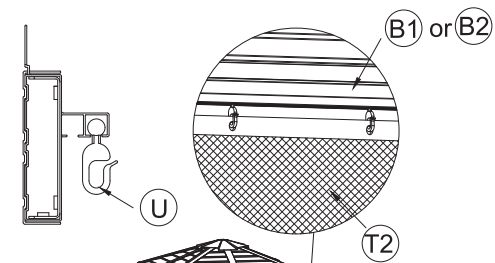
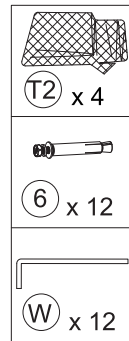
19

18



20

19



21