

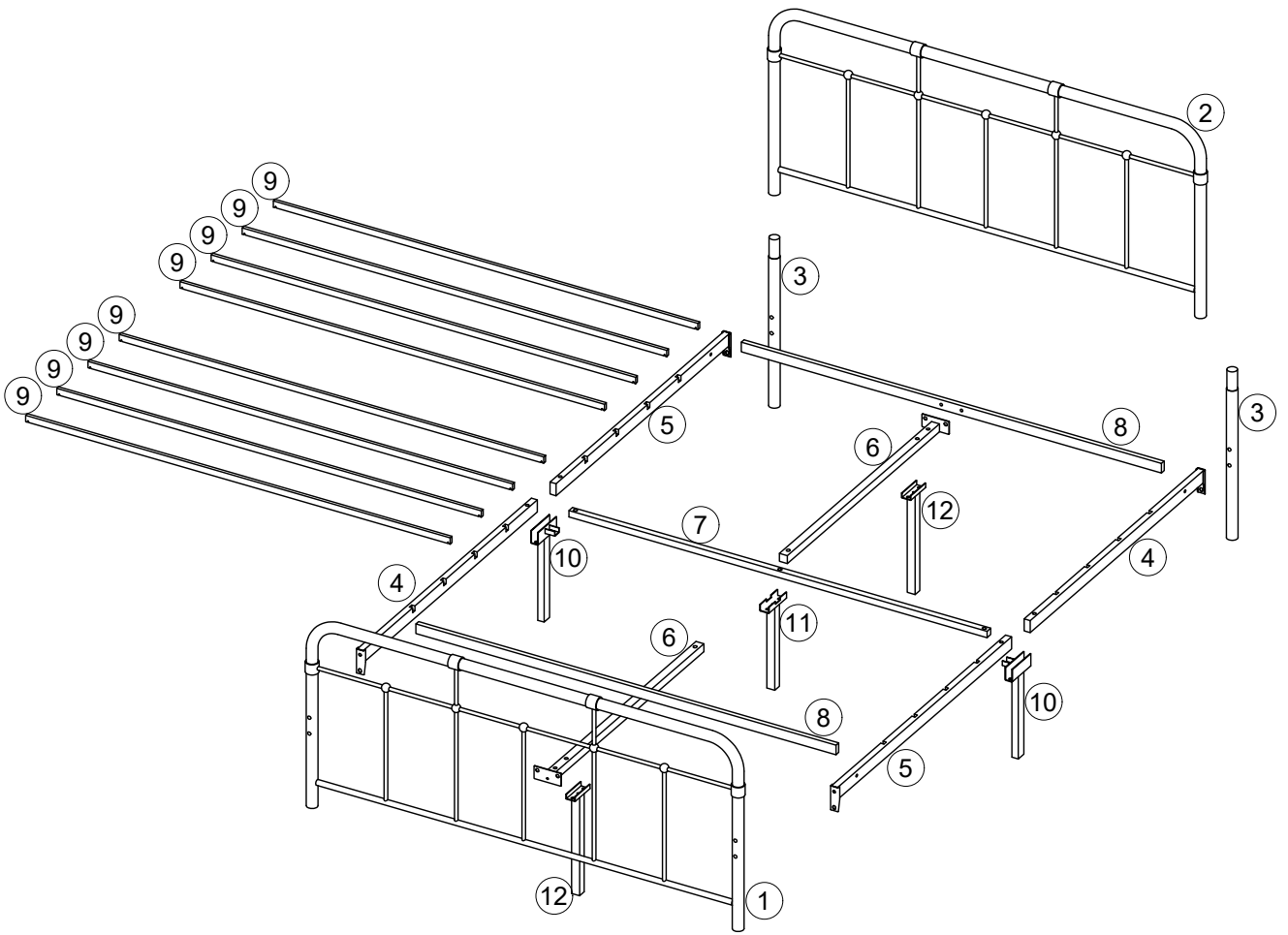
ASSEMBLY INSTRUCTION

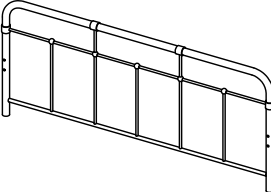
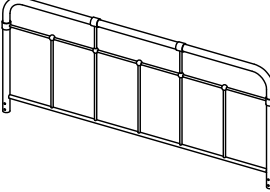

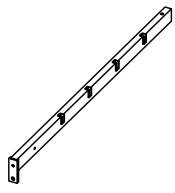
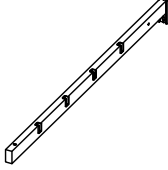
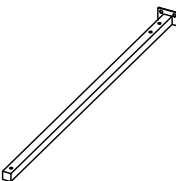

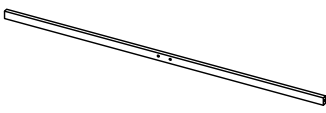




N761P334212







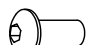
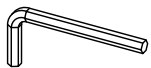
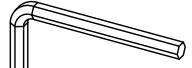




NOTE:

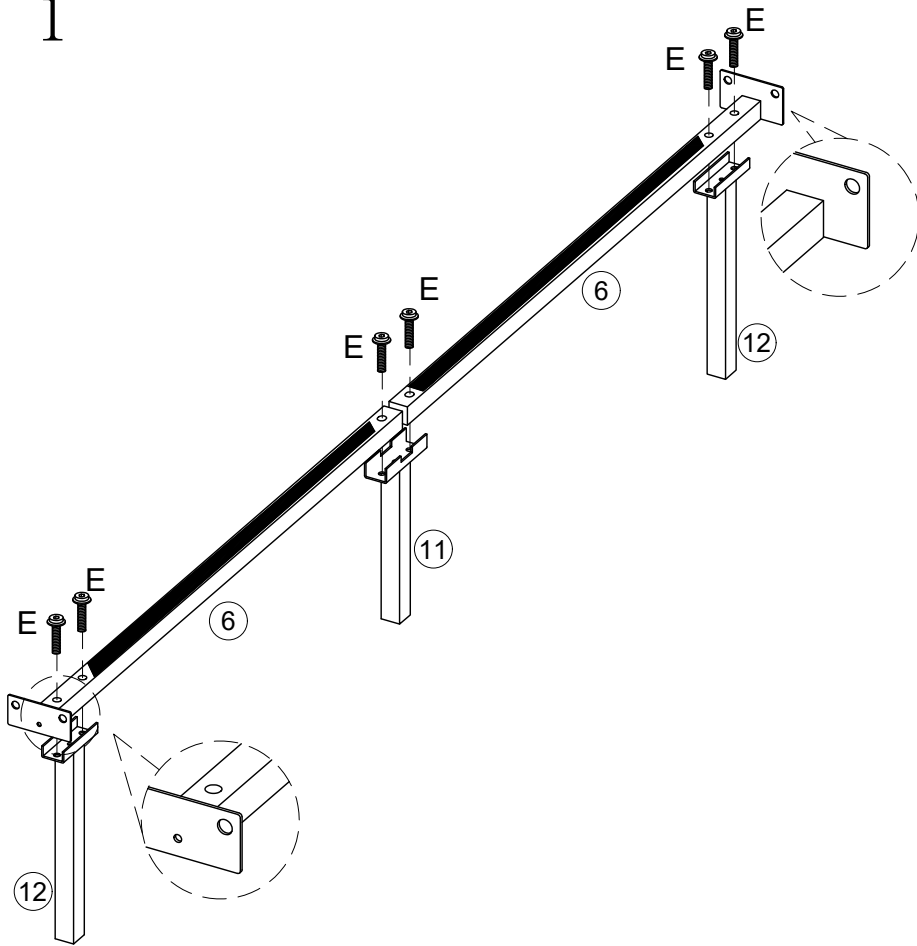
Please do not completely tighten all the hardware until the entire assembly is completed!




①  x 1	②  x 1	③  x 2
④  x 2	⑤  x 2	⑥  x 2
⑦  x 1	⑧  x 2	⑨  x 8
⑩  x 2	⑪  x 1	⑫  x 2

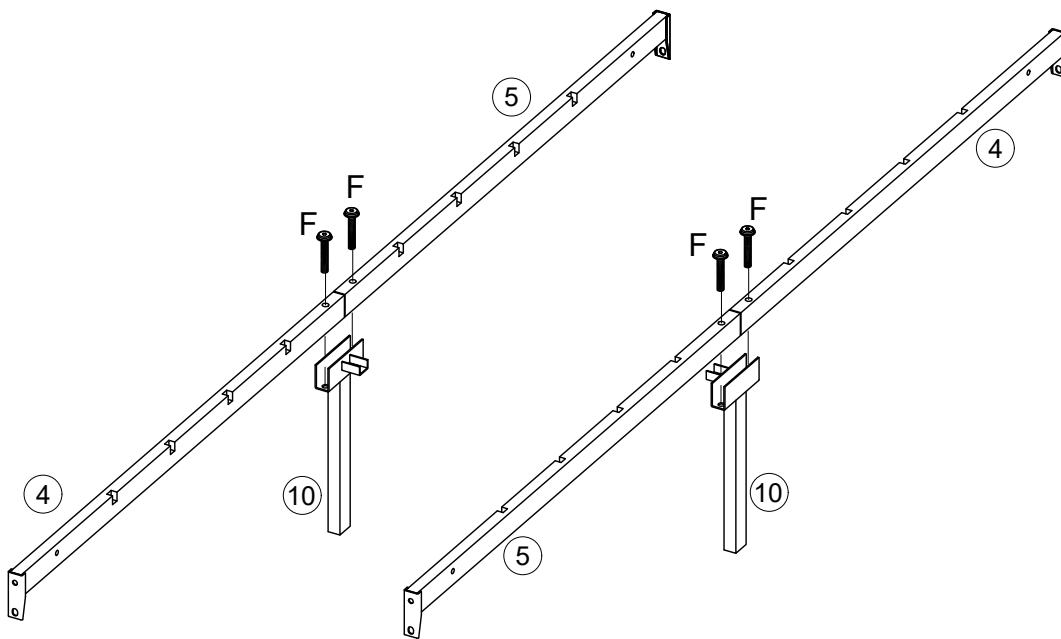
A	x 4	B	x 4	D	x 4	E	x 8	F	x 8
									
M6×25 mm		M6×40 mm		M8×15 mm		M8×35 mm		M8×50 mm	
G	x 1	H	x 4	I	x 2	J	x 1	K	x 4
									
M8×55 mm		M6×17 mm		4 mm		5 mm		M6×12 mm	
L	x 8								
									


Step 1




E	x 6
	
M8x35 mm	

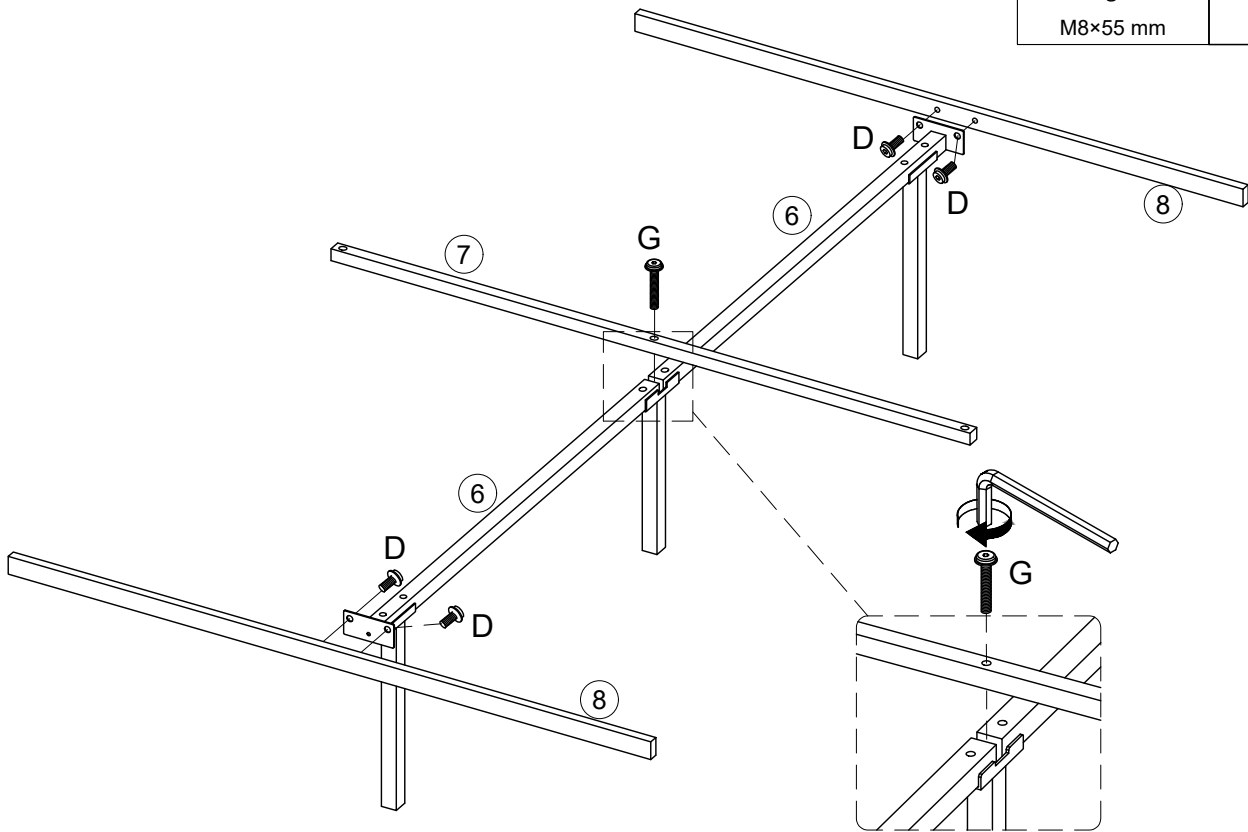
Step 2




F	x 4
	
M8x50 mm	

Step 3

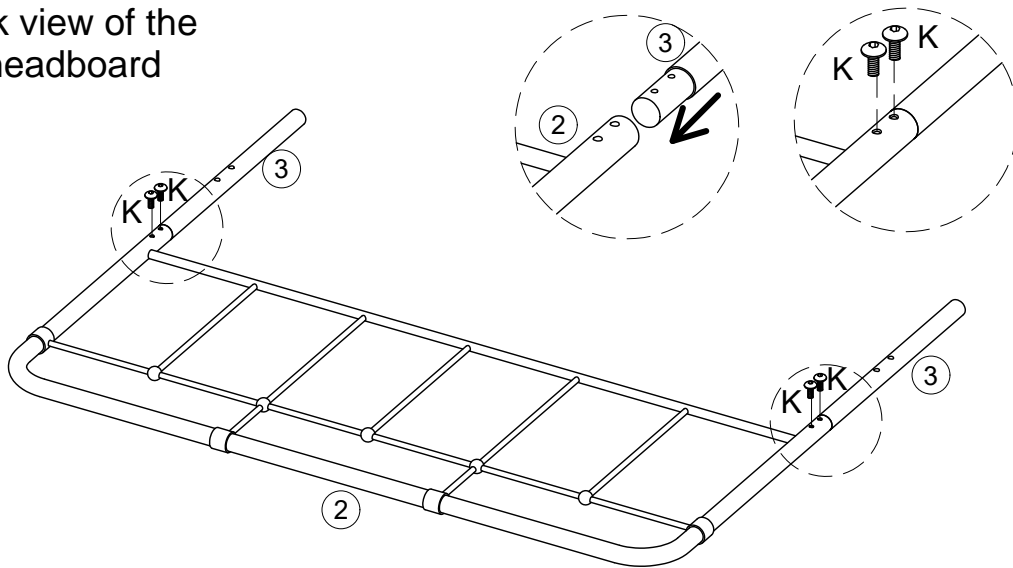
G	x 1	D	x 4
 M8×55 mm		 M8×15 mm	





Step 4

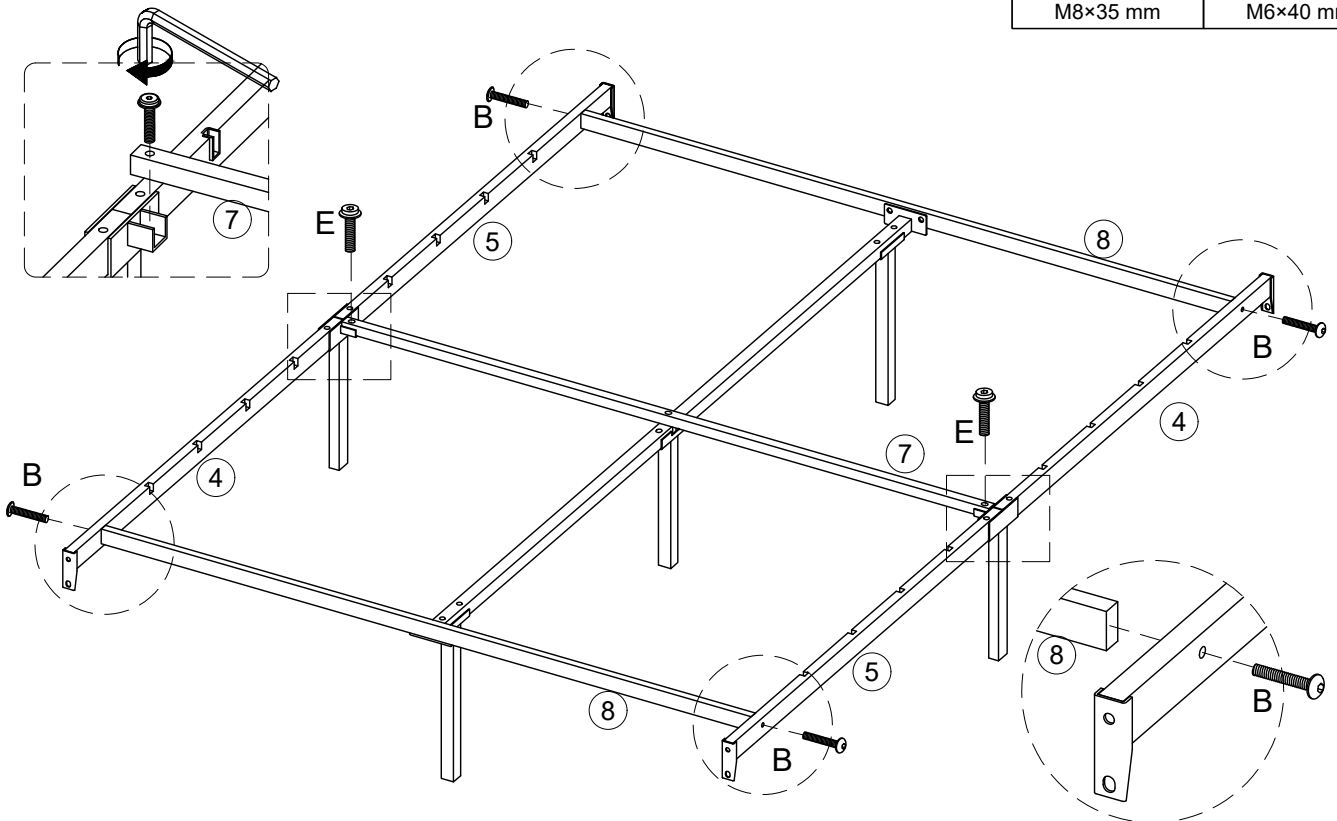
K	x 4
 M6×12 mm	

Back view of the headboard







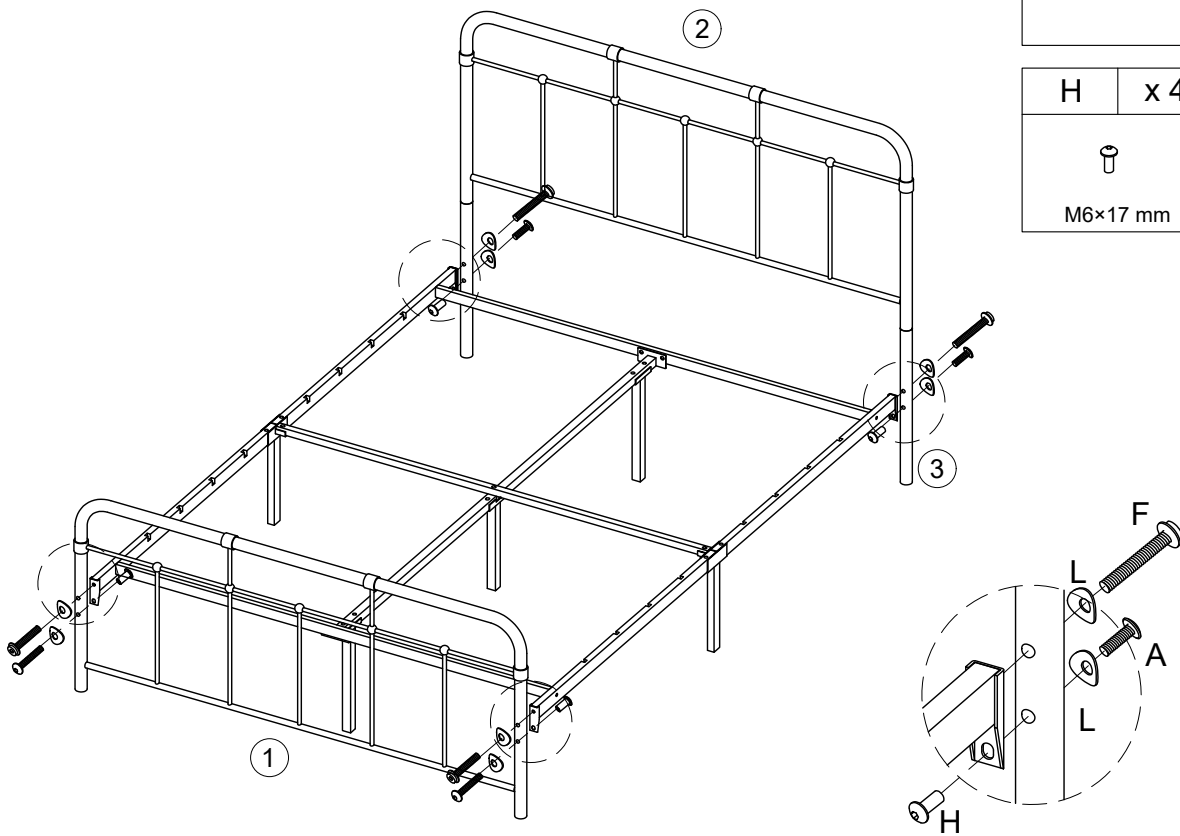
Step 5

E	x 2	B	x 4
 M8x35 mm		 M6x40 mm	

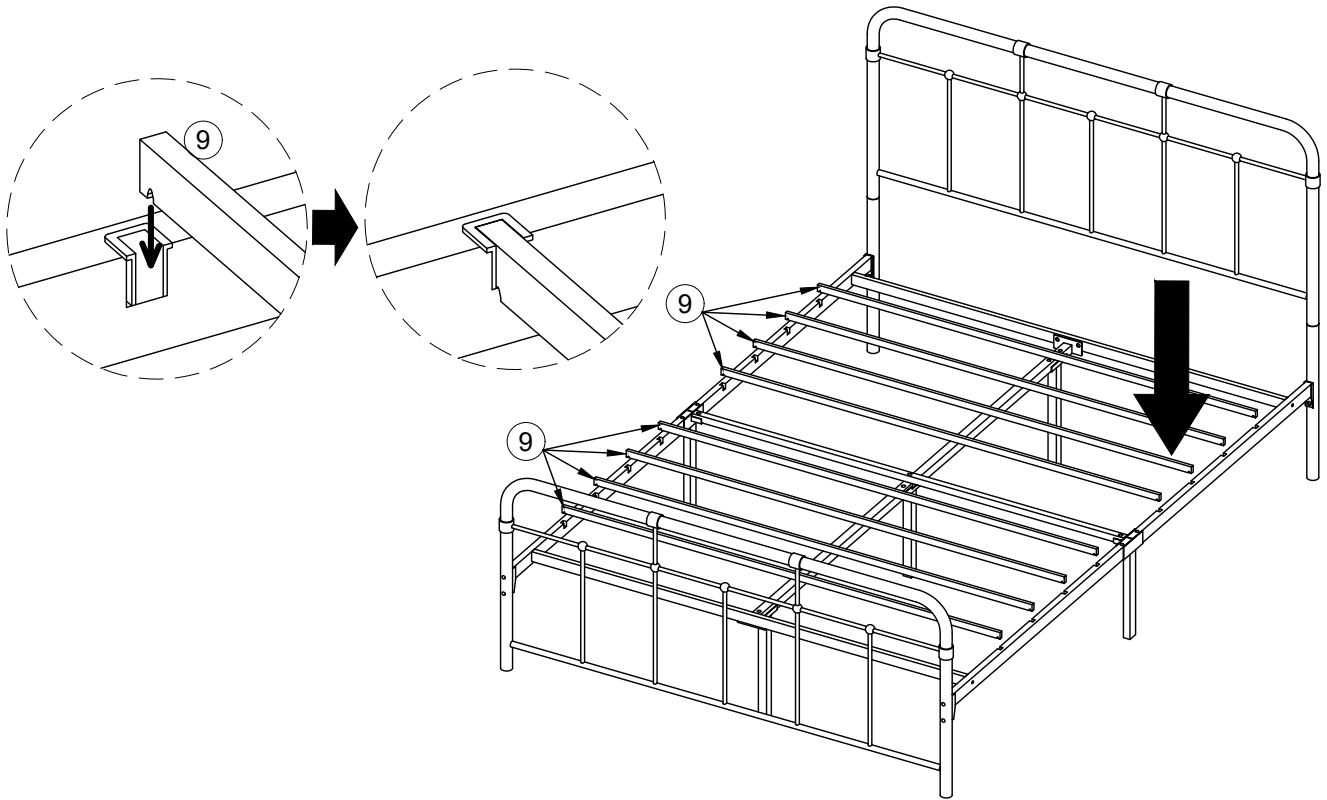


Step 6

L	x 8	F	x 4
		 M8x50 mm	
H	x 4	A	x 4
 M6x17 mm		 M6x25 mm	



Step 7



Step 8

