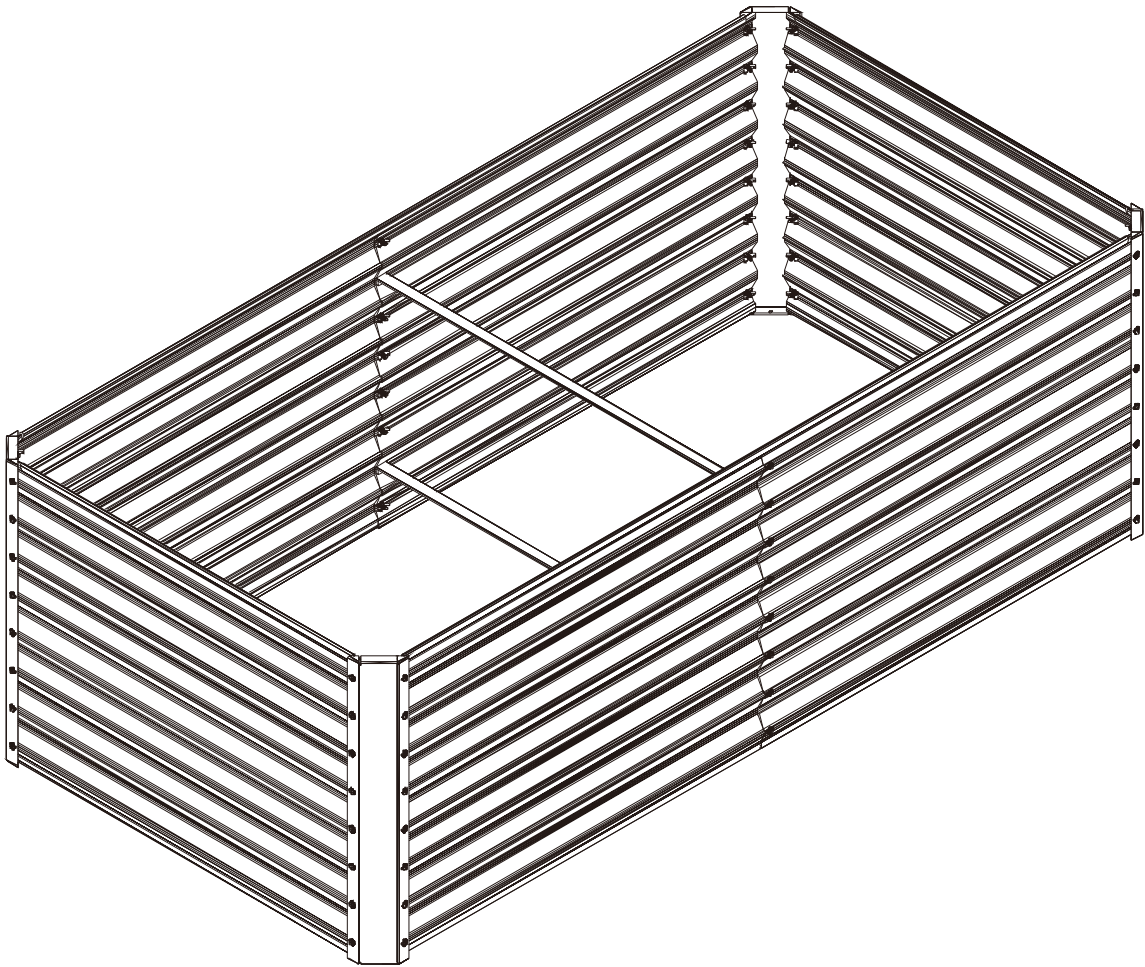


Metal Raised Garden Bed

ASSEMBLY MANUAL

SIZE: 6'x3'x2'



MODEL#: LNCF0565A

Missing part? Damaged? Contact us via email at

service@domioutdoorliving.com

www.domioutdoorliving.com

Rustproof & Anti-Corrosion Material

Upgraded galvanized steel which is rustproof and safe for soil and plants.

Premium Quality

The Reinforced steel and corner connectors promise the stable structure and long-lasting durability.

The wave design provide better pressure resistance.

Easy Setup

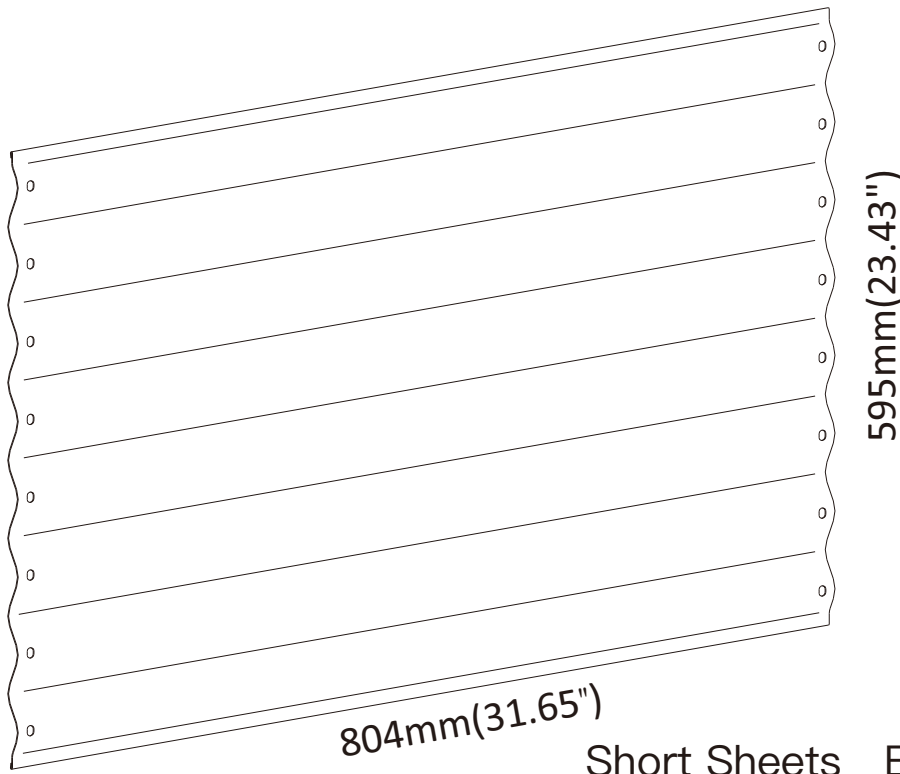
Simple structure without complex design, you just need connect the six steel sheets by screws which can be finished less than half an hour.

No Bottom Design

The open-bottom design helps release the excess water to deep soil and allows the roots of crops to grow freely.

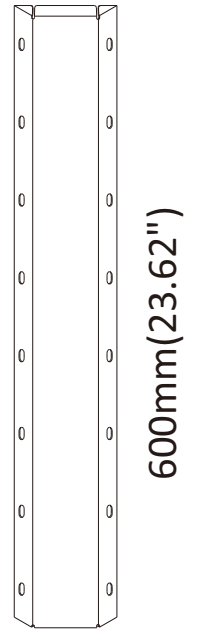
Features and Benefits

- Corrugated galvanized sheet elevated garden bed adds an industrial style decoration to your lawn.
- This elevated garden bed is ideal for displaying your herbs, flowering plants or some homegrown vegetables.
- Prevent soil erosion and weeds to ensure plant health.
- The raised pattern also prevents pests and reduces care and maintenance.
- Corrosion resistance, water saving and drought resistance, firm and durable without deformation, beautiful shape

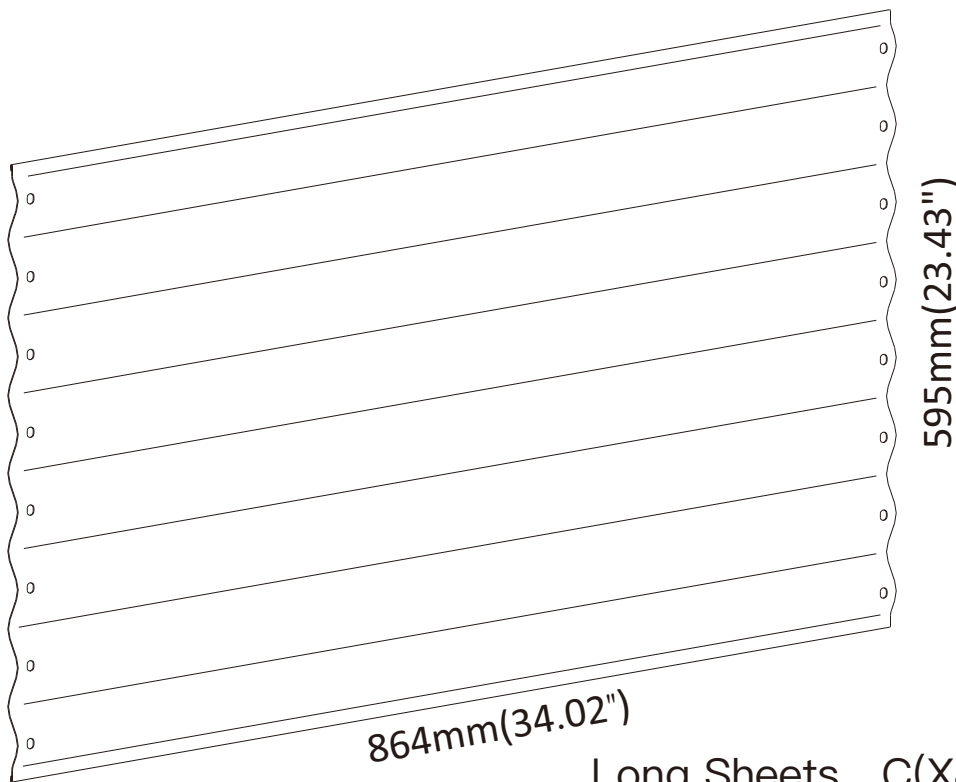


804mm(31.65")

Short Sheets B(X2)

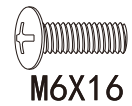


Corner Connectors A(X4)

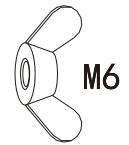


864mm(34.02")

Long Sheets C(X4)



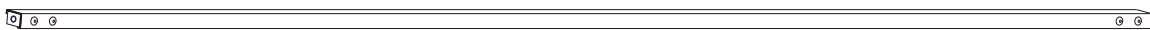
Screws E(X80)



Wingnuts F(X76)



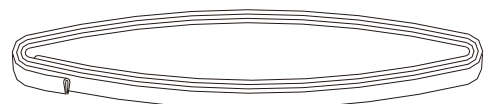
Stakes G(X4)



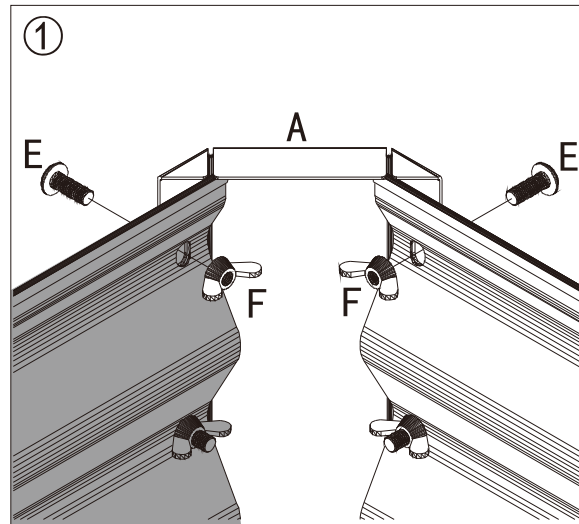
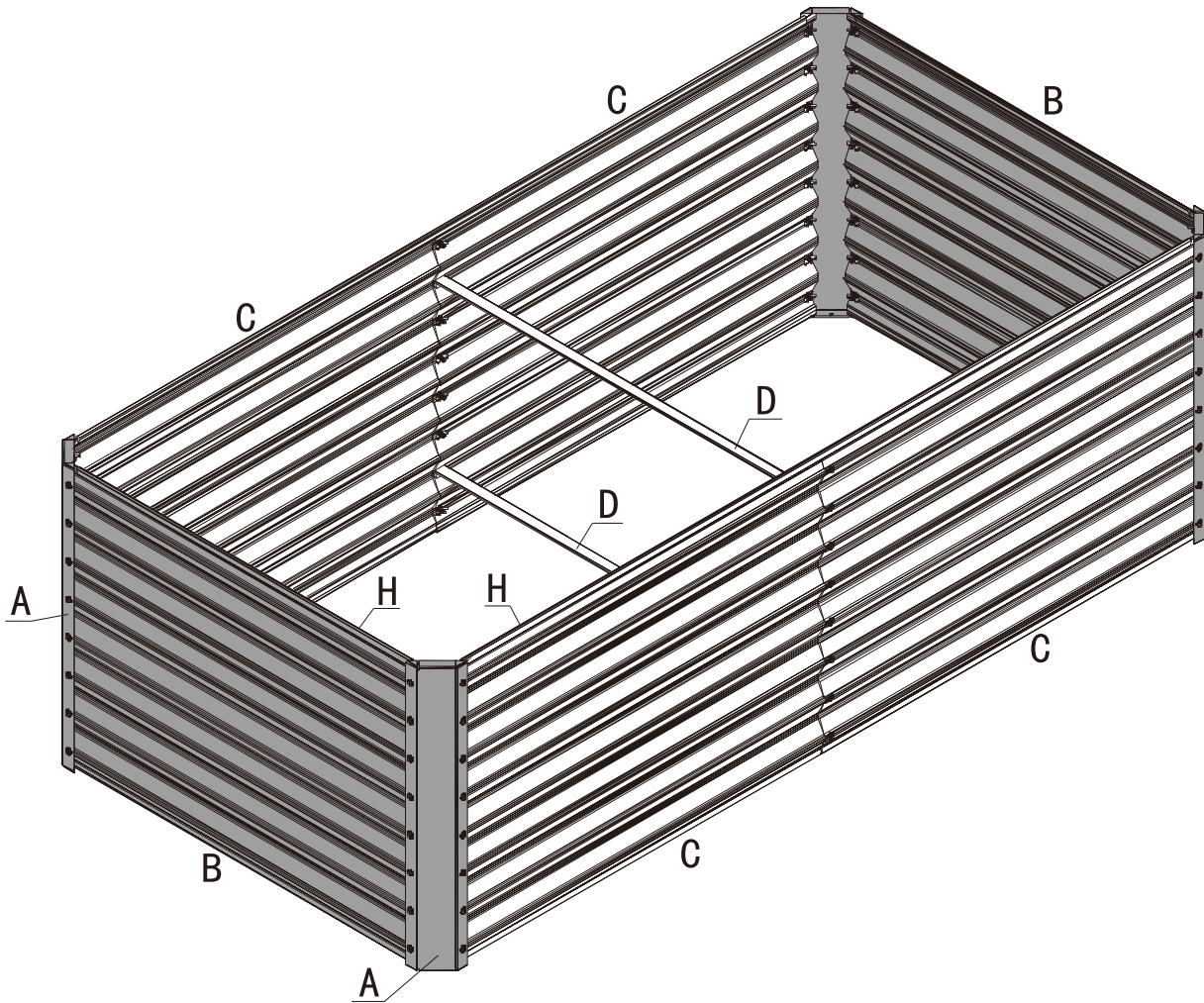
890mm(35.04")

Bracing Rods D(X2)

LNCF0565 70.87"x35.43"x23.62"

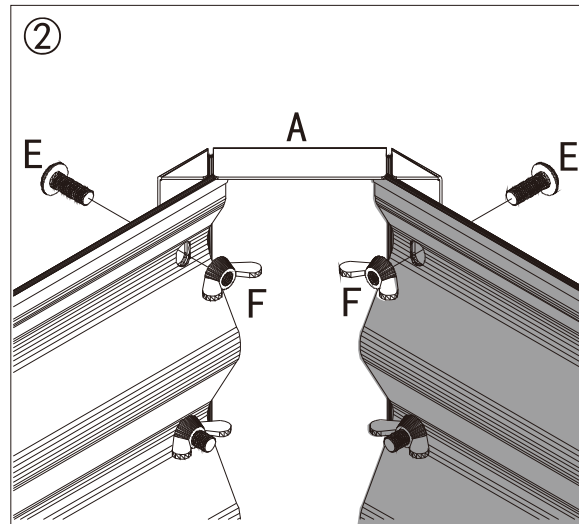
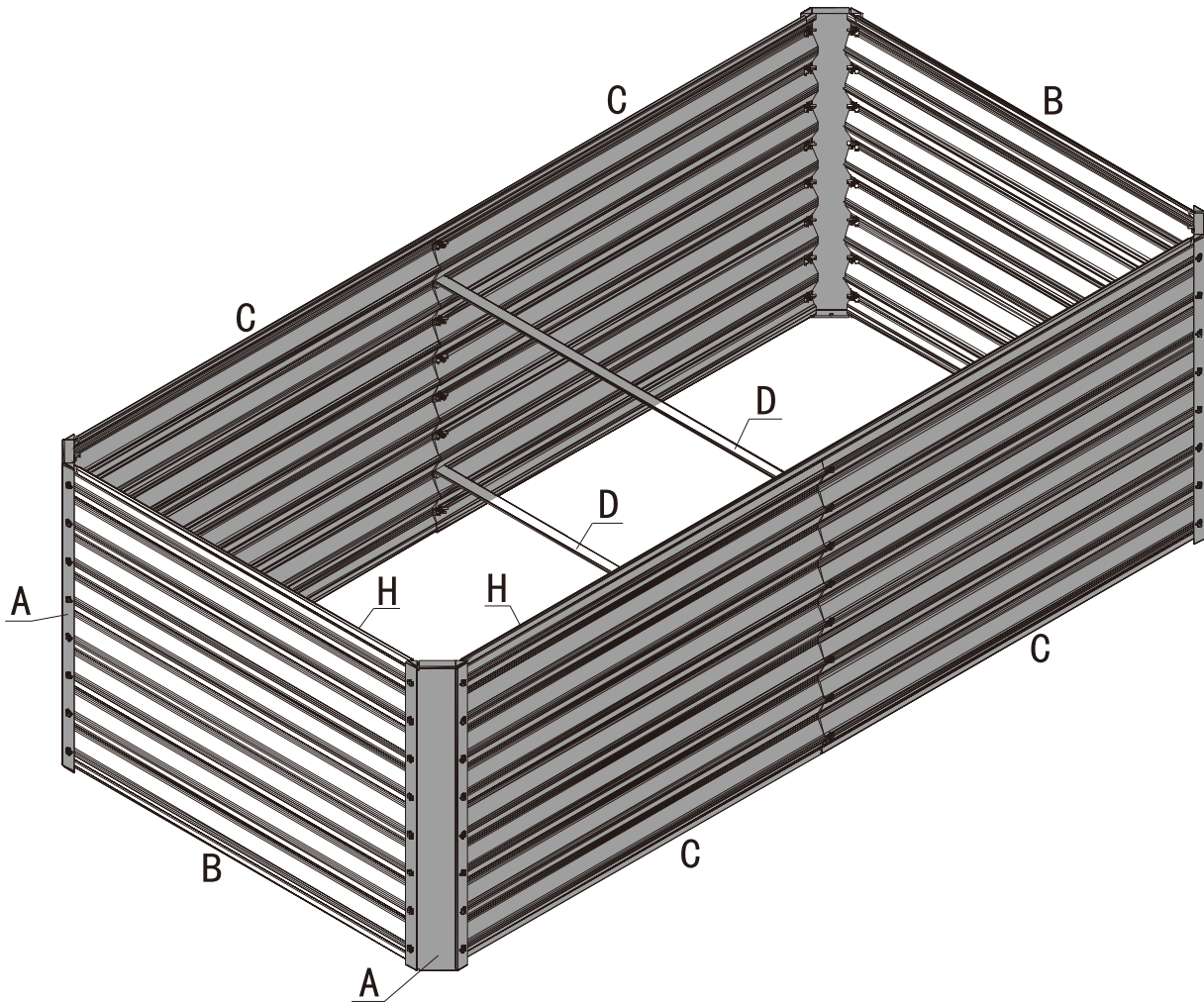


Rubber Strip H(X1)



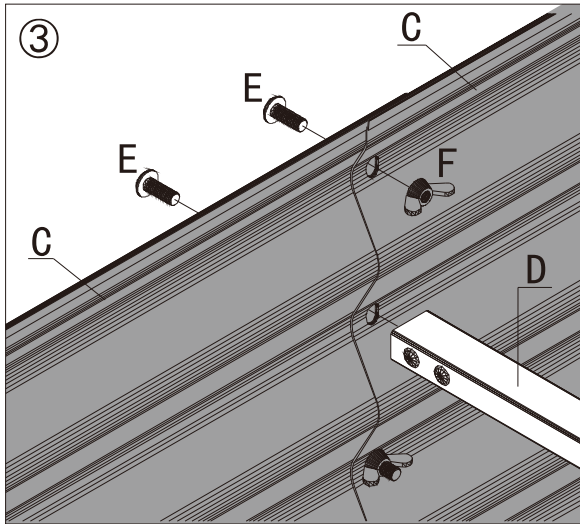
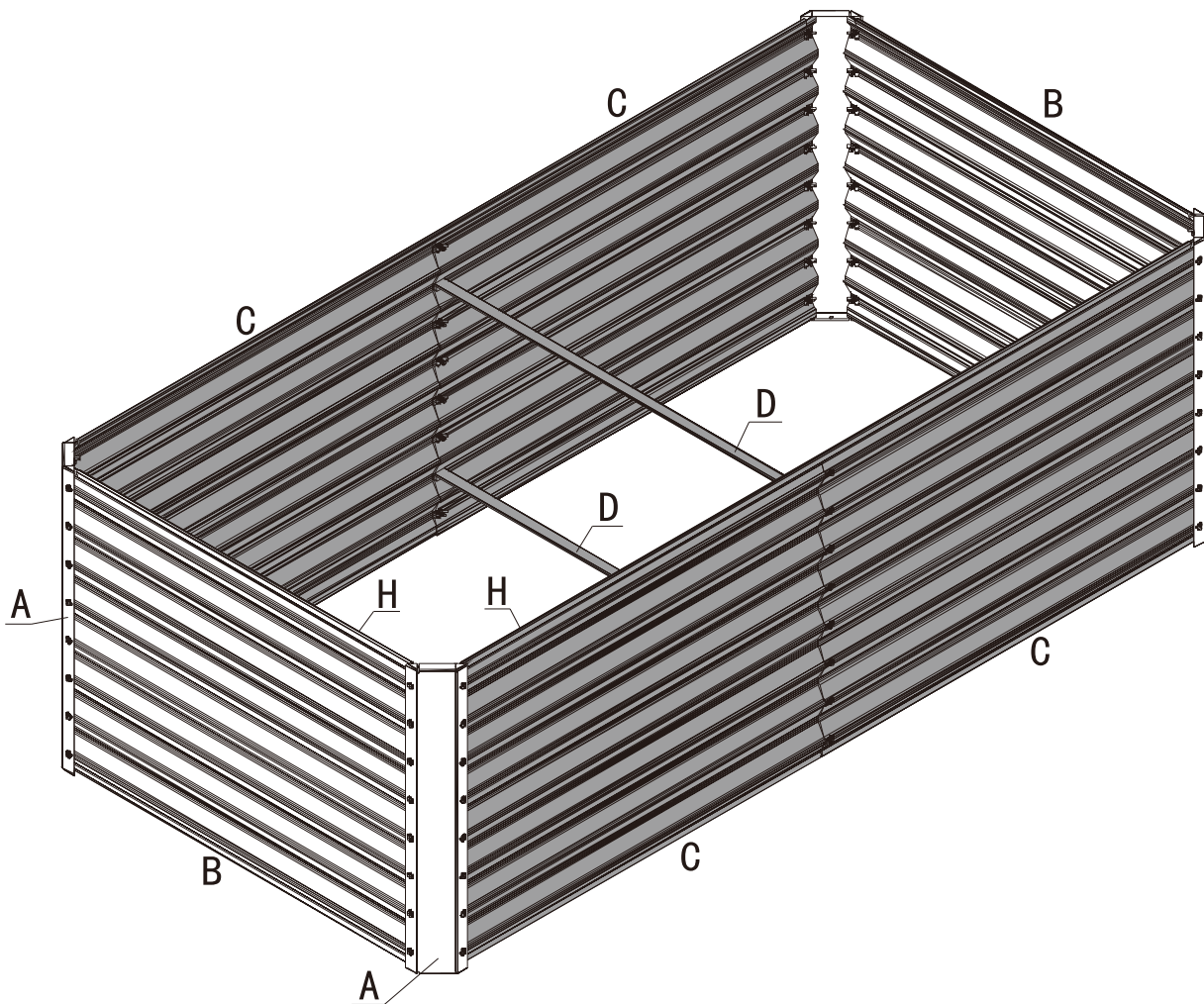
① Attach 2 Corner Connectors #A to 1 Short Sheets #B with 16 screws #E, and secure with 16 wingnuts #F .

Repeat the above procedures to assemble another end.

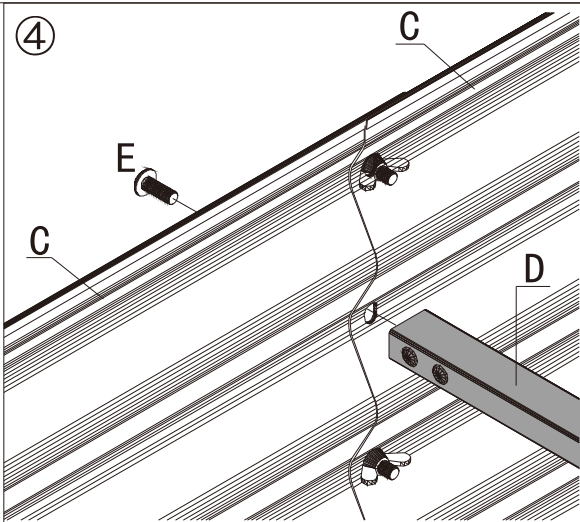


② Attach 2 Long Sheets C to 2 Corner Connectors #A with 16 screws #E, and secure with 16 wingnuts F.

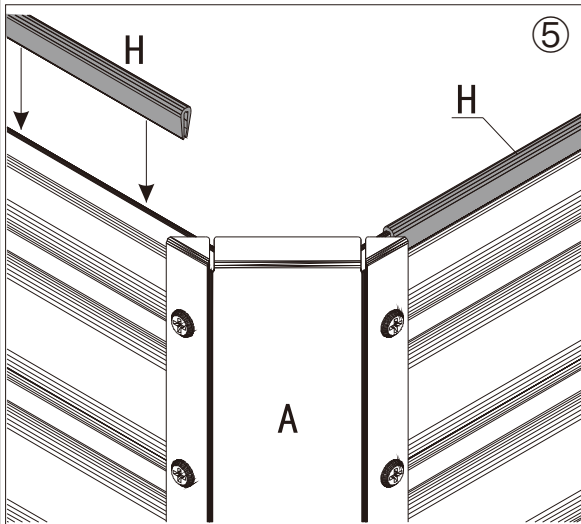
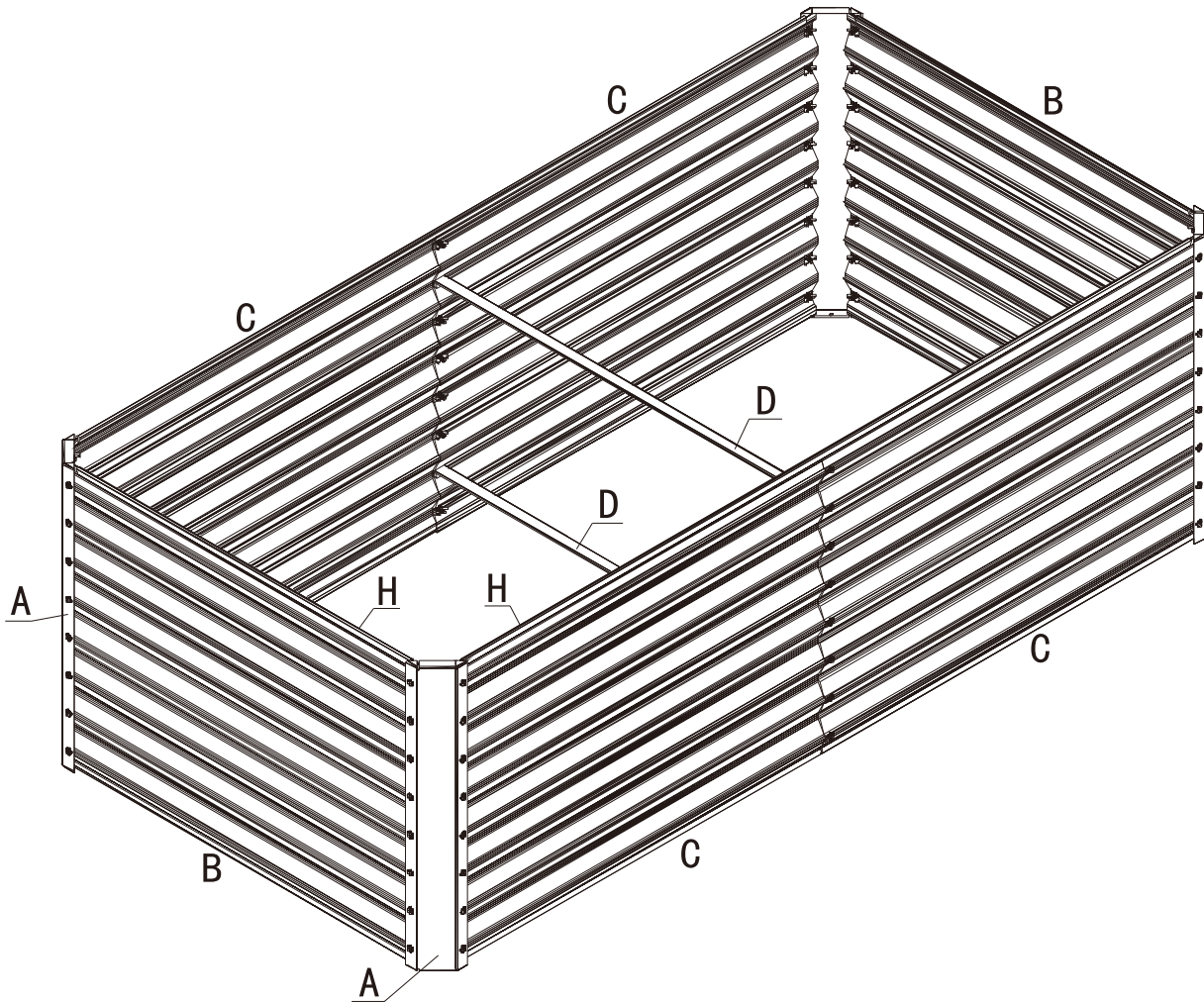
Repeat the above procedures to assemble another side.



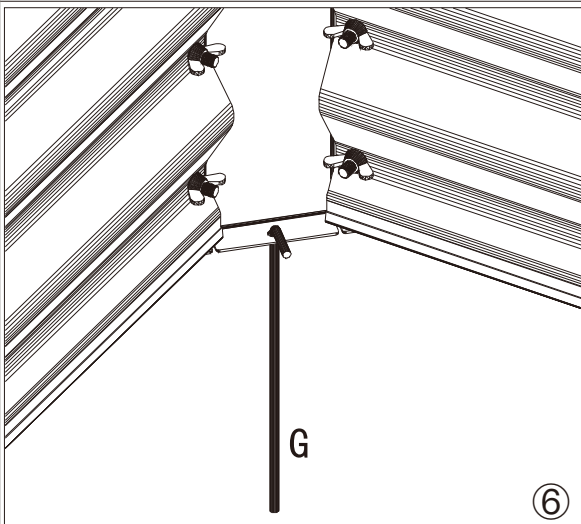
③ Overlap the 2 halves of the garden bed, then connect with 12 screws #E, and secure with 12 wingnuts #F. Leave the second and seventh set of connector holes empty.



④ Attach the 2 Bracing Rods #D with 4 screws #E.



⑤ Cut the Rubber Strip #H into 4 pieces equal to the length/width of the garden bed then place them on the top edges.



⑥ Secure the Corner Connectors with 4 stakes #G, 1 stake per Corner Connector.

Thanks for your purchase.

At domi outdoor living, we believe in our products.

That's why we provide a 12-month warranty and

friendly, easy-to-reach after-sales service. So if you

have any questions about our product and assembly-

,please feel free to contact us. We will be here for you.

Support:



After-sales contact email:

service@domioutdoorliving.com

Please tell us your order ID when contact.

Attach photos of damaged part for instant reply.