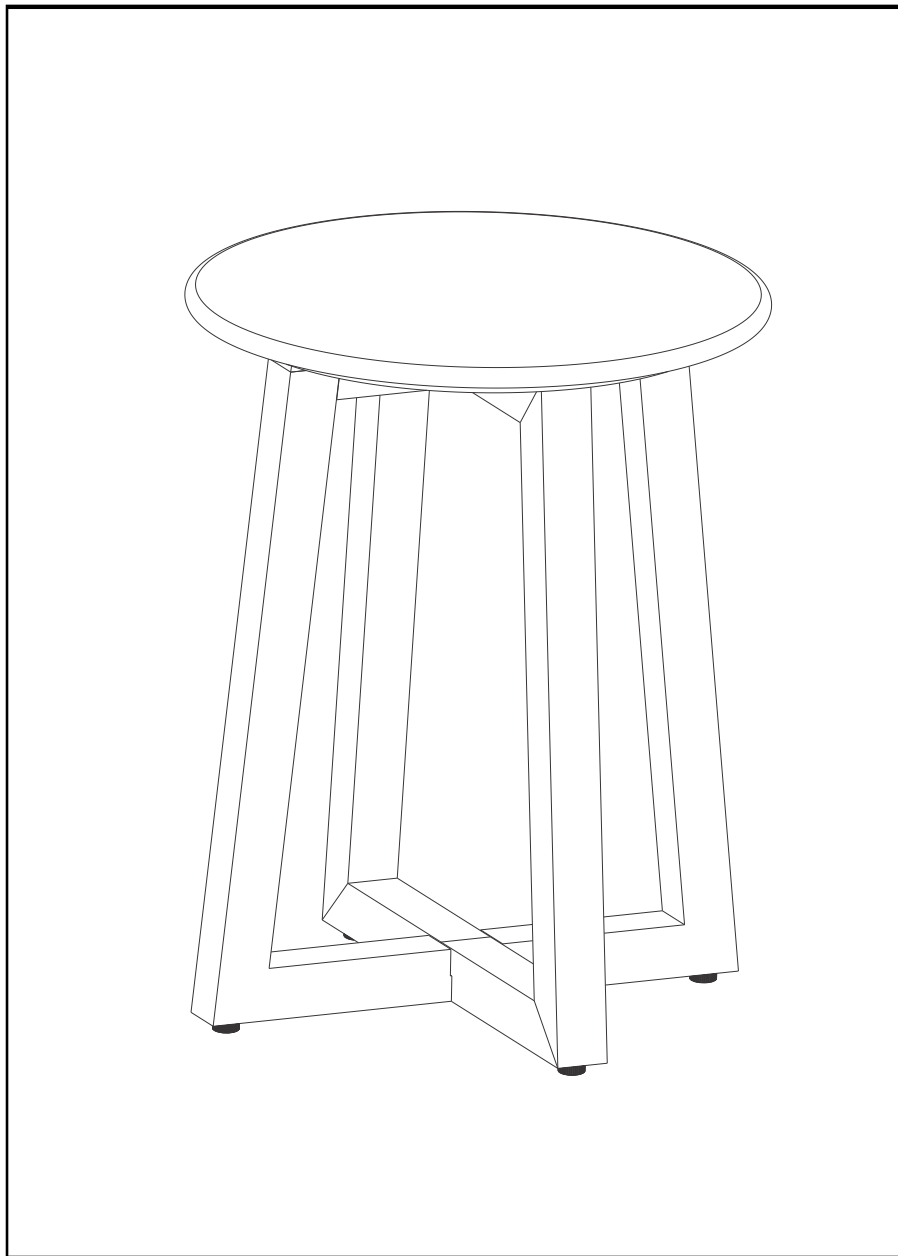




Assembly Instructions

ACCENT MARBLE TABLE

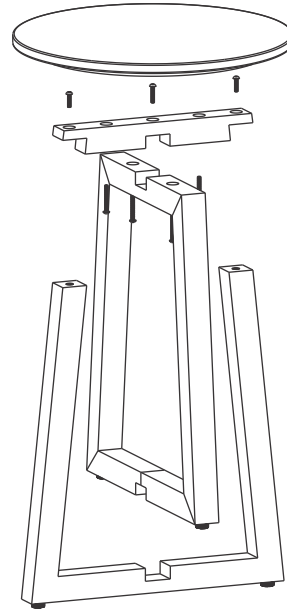


NOT FOR COMMERCIAL USE



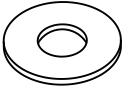
Pre-assembly (continued)

Component List


Part	Part Description	Quantity
A	Leg Frame	01
B	Leg Frame	01
C	Leg Support	01
D	Marble Top	01



Hardware List

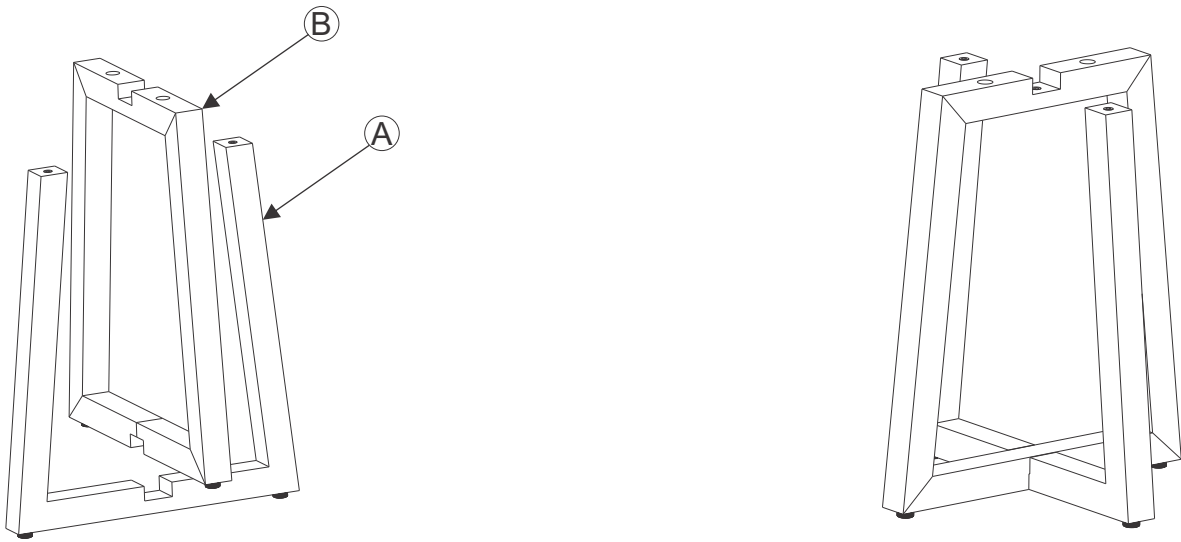
LABEL		DESCRIPTION	QTY
H-1		Allen Bolt	2
H-2		Allen Bolt	5
H-3		Flat Washer	7

Tool List

LABEL		DESCRIPTION	QTY
T-1		Allen Key (4 mm)	1

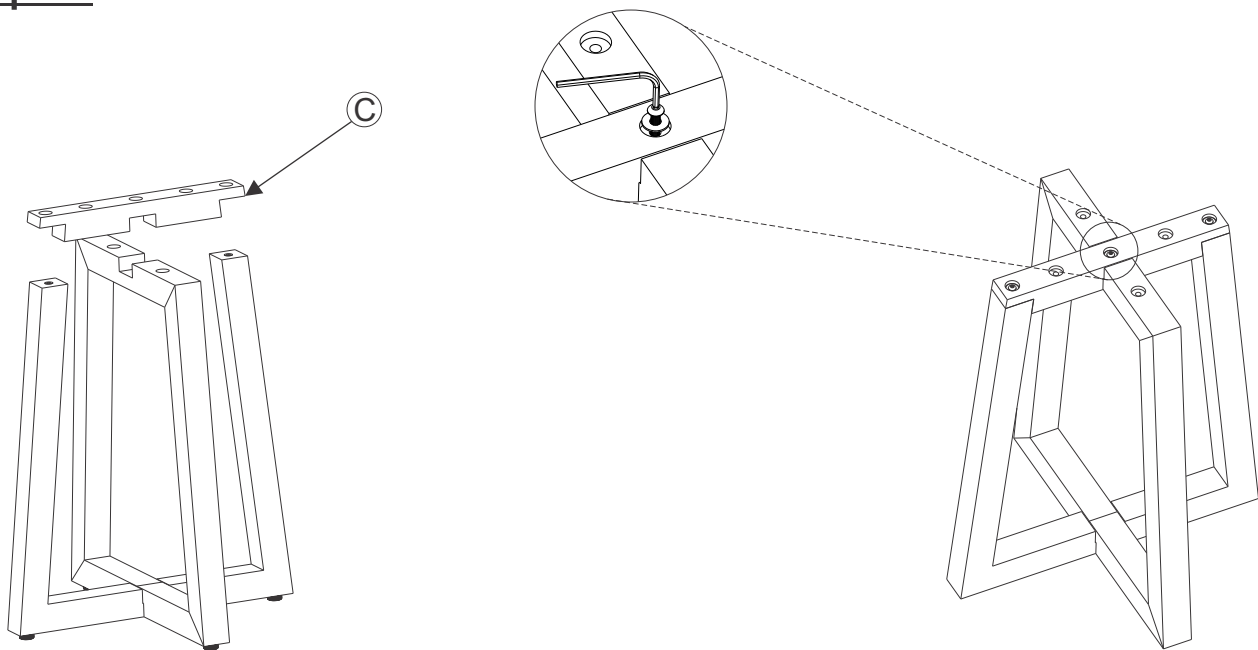
Assembly Steps

Step-1



Attach leg frame (B) onto leg frame (A) as illustrated.

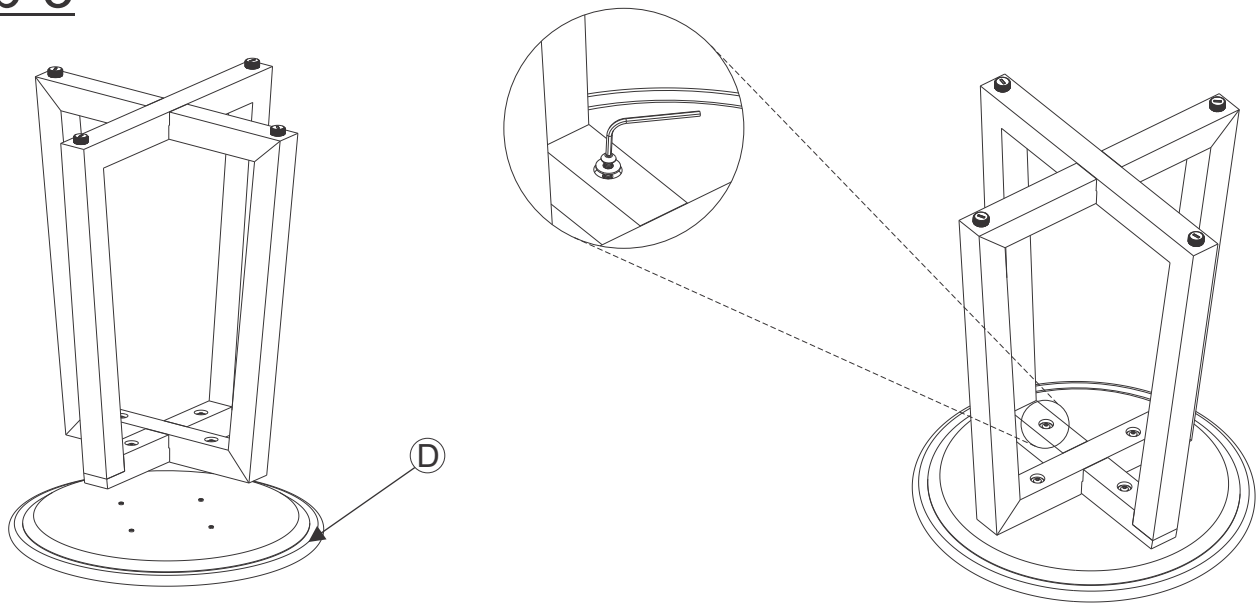
Step-2



then insert the leg support (C) into leg frame (A) secure connection using small allen bolts and washer with the help of allen key.

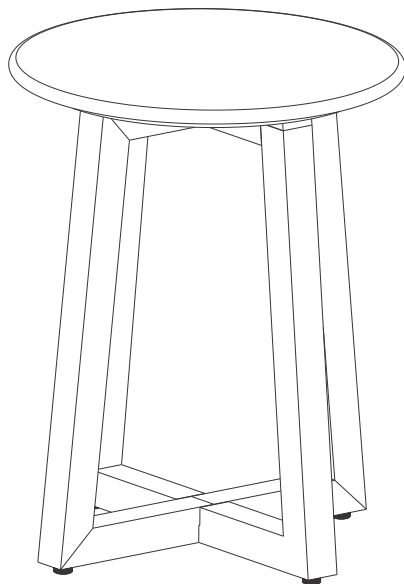
Assembly Steps

Step-3



Place the marble top (D) upside down on a padded non-marring surface than attach assembled frame onto the marble top than secure connection using large allen bolts and washer with the help of allen key.

Step-4



Turn the assembled table in upright position. Assembly is complete and the product is ready to use.
NOTE: Levelers can be used for adjustment if needed.

Care & Maintenance



- Do not put hot items directly on furniture surface.



- Do not clean furniture with harsh cleansers or polish.



- Do not place furniture in direct sunlight.



- Do not place furniture near heating or cooling vents.



- Do not write on furniture without a padded barrier to protect the surface.



- Do not place furniture outside. For indoor use only.



- Not for commercial use. For residential use only.



- Dust and pick-up spills using a clean, non-colored, lint-free cloth.

Note

- Recommend using coasters to protect table top. Wipe spills immediately with a soft, dry cloth.