

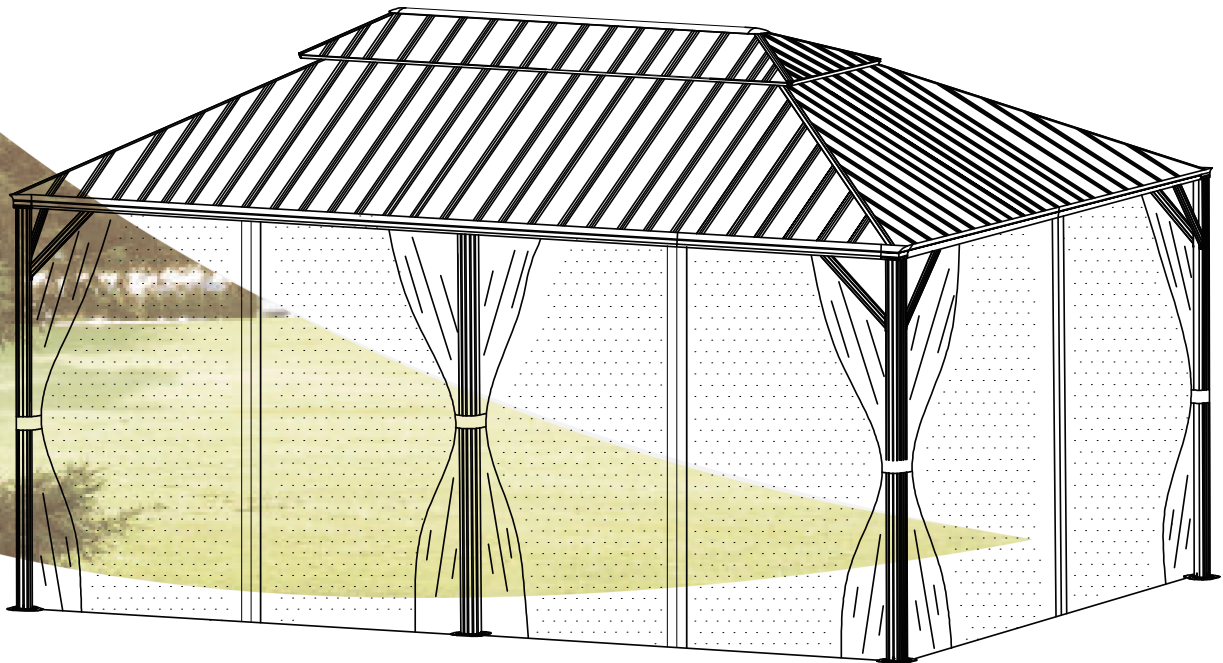


PREMIUM HOME SOLUTION



# USE AND CARE GUIDE

## GA228-1420



Questions, problems, missing parts? Before returning to the store please contact our Customer Service

• [service@alphamarts.com](mailto:service@alphamarts.com) •

### THANK YOU

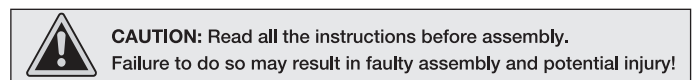
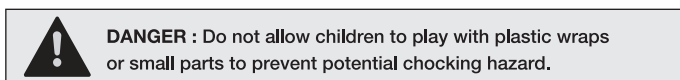
We appreciate the trust and confidence you have placed in us through the purchase of our product. We strive to continually create quality products designed to enhance your home. Visit us online to see our full line of products available for your home improvement needs. Thank you for choosing us!

# Table of Contents

Table of Contents	2	Pre-assembly	3-4
Safety Information	2	Assembly	5-14
Warranty	2	Care And Maintenance	15
What is Covered	2		
What is Not Covered	2		

## Safety Information

- **Do not completely tighten screws until all screws are started.** Tighten each bolt firmly and properly.
- Some parts may contain sharp edges. Wear protective gloves as necessary.
- Children under the age of 16 should not be engaged in the assembly, removal or disassembly of the product. Children under the age of 10 should be supervised by a competent adult while using this furniture.
- Please keep children out of the assembly area during assembly.
- This set is heavy, and may require two adults for safe assembly.
- Never use this product as a support. Do not shake, lean, or climb on the product at any time.



## Warranty

### LIMITED WARRANTY

This warranty is a limited warranty, and applies to the original purchase is required. This is a residential warranty and does not apply to commercial use. This collection carries a (1) year limited warranty and is valid from original date of purchase to the original owner (proof of purchase required).

### WHAT IS COVERED

We warrant the frame to be free of Manufacturing defects to the original purchaser for one year.

### WHAT IS NOT COVERED

This warranty does not cover commercial use, hardware, acts of nature, fire, freezing and abusive.

In addition, purchased parts are not covered under this warranty.

We reserve the right to make substitutions with similar merchandise, if the model in question is no longer in production.

For a copy of our full limited warranty, please contact our customer service team.

# Pre-assembly (continued)



**NOTE:** Identify all parts packed in the carton against the parts list.  
Remove all the protective material carefully and DO NOT use a knife to prevent scratching the furniture.

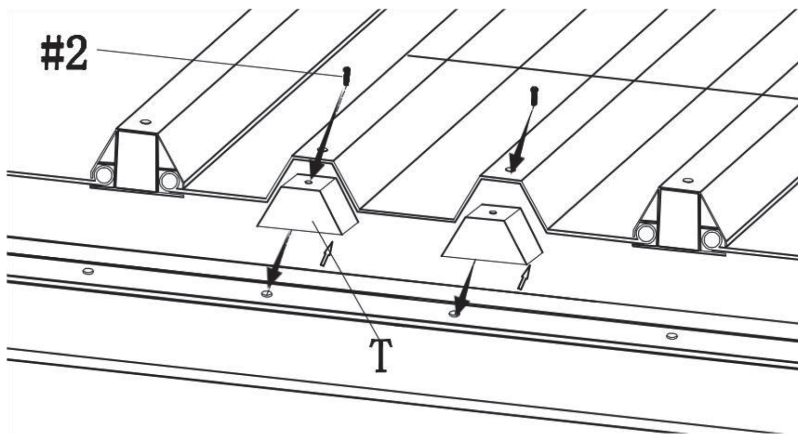
## PACKAGE CONTENTS



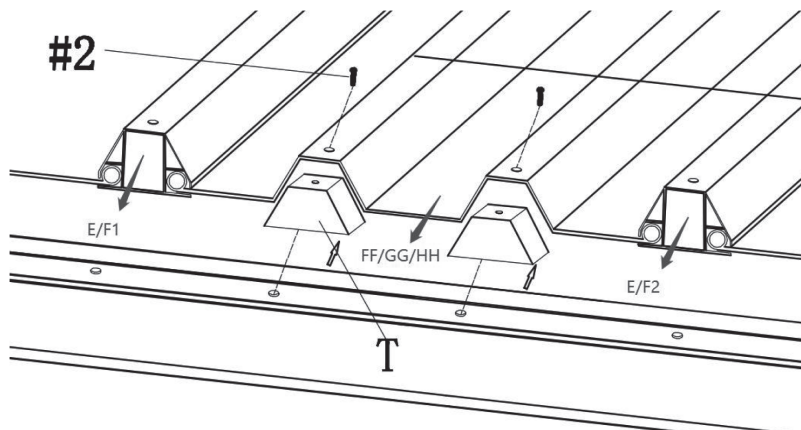
**NOTE:** Hardware not shown to actual size.

### Colored steel tiles Installation tips

Don't install the screws #2 on both sides of the roof panel with the panel inserter tube before installing the middle two screws #2



When inserting the roof panel, don't install the screws #2 on both sides of the roof panel first, After adjusting the position of the roof panel, then install the middle two screws #2



# Pre-assembly (continued)



**NOTE:** Identify all parts packed in the carton against the parts list.  
Remove all the protective material carefully and DO NOT use a knife to prevent scratching the furniture.

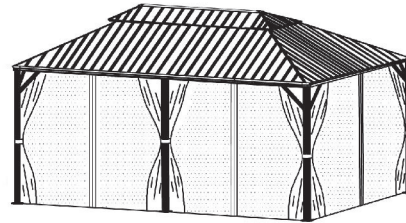
## PACKAGE CONTENTS











**NOTE:** Hardware not shown to actual size.

### ATTENTION:








1. Please fix all the screws first, do not lock off, after assembling fully completed, lock all at once finally.
2. Please check the manual carefully and make sure you have received all the parts.
3. If there is any parts missing, please let us know the NO of the parts you need.
4. If there is any damage, please send clear photos to us, we will check and offer you best solution soon.



### Part List (BOX A)

<b>A</b> 	<b>A1</b> 	<b>D</b> 	<b>G1</b> 	<b>G4</b> 
4PCS	2PCS	4PCS	8PCS	4PCS
<b>H</b> 	<b>H5</b> 	<b>H7</b> 		
4PCS	2PCS	2PCS		

### Part List (BOX B)

<b>B3</b> 	<b>B4</b> 	<b>E</b> 	<b>I</b> 	<b>I1</b> 
4PCS	4PCS	14PCS	8PCS	10PCS
<b>Q4</b> 	<b>Q5</b> 			
2PCS	2PCS			

# Pre-assembly (continued)


























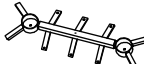



**NOTE:** Identify all parts packed in the carton against the parts list.  
Remove all the protective material carefully and DO NOT use a knife to prevent scratching the furniture.

## PACKAGE CONTENTS



**NOTE:** Hardware not shown to actual size.

Part List (BOX B)				
#1	#2	#3	#4	#5
				
188PCS	149PCS	16PCS	18PCS	6PCS
#6	#7			
				
1PCS	1PCS			
Part List (BOX C)				
B10	C	D3	E3	F1
				
2PCS	8PCS	4PCS	6PCS	4PCS
F2	F3	F4	F5	F6
				
4PCS	4PCS	4PCS	4PCS	4PCS
H1	H6	J	J1	K
				
4PCS	4PCS	4PCS	2PCS	6PCS
L	L1	M	N6	O
				
4PCS	14PCS	4PCS	1PCS	8PCS

# Pre-assembly (continued)

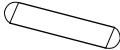



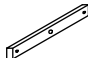





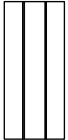
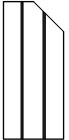
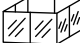



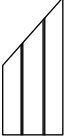
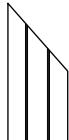
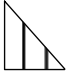
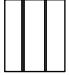
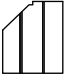
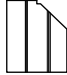





**NOTE:** Identify all parts packed in the carton against the parts list.  
Remove all the protective material carefully and DO NOT use a knife to prevent scratching the furniture.

## PACKAGE CONTENTS



**NOTE:** Hardware not shown to actual size.

Part List (BOX C)				
<b>P4</b> 	<b>Q7</b> 	<b>R</b> 	<b>S</b> 	<b>S2</b> 
1PCS	2PCS	3PCS	14PCS	3PCS
<b>T</b> 	<b>T2</b> 	<b>U</b> 	<b>V</b> 	
68PCS	4PCS	4PCS	14PCS	
Part List (BOX D)				
<b>FF</b> 	<b>GG</b> 	<b>HH</b> 	<b>W</b> 	
4PCS	10PCS	4PCS	1PCS	
Part List (BOX E)				
<b>AA</b> 	<b>BB</b> 	<b>DD</b> 	<b>EE</b> 	<b>II</b> 
4PCS	4PCS	4PCS	4PCS	4PCS
<b>JJ</b> 	<b>LL</b> 	<b>MM</b> 	<b>NN</b> 	<b>OO</b> 
4PCS	4PCS	2PCS	2PCS	2PCS
<b>X</b> 	<b>Y5</b> 			
1PCS	1PCS			

## Assembly Step

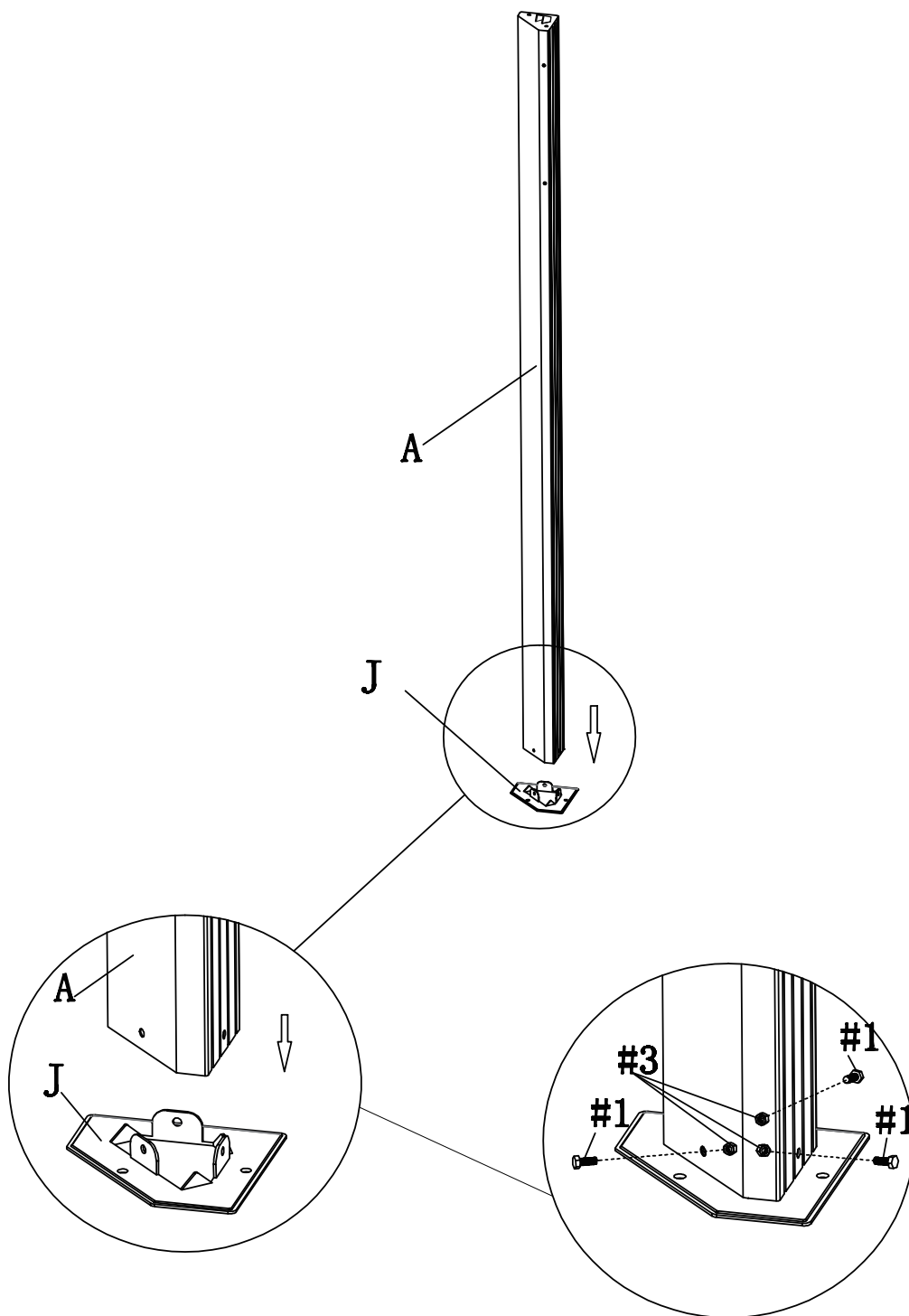
### STEP 1

A\*4

J\*4

#1\*12

#3\*12



## Assembly Step

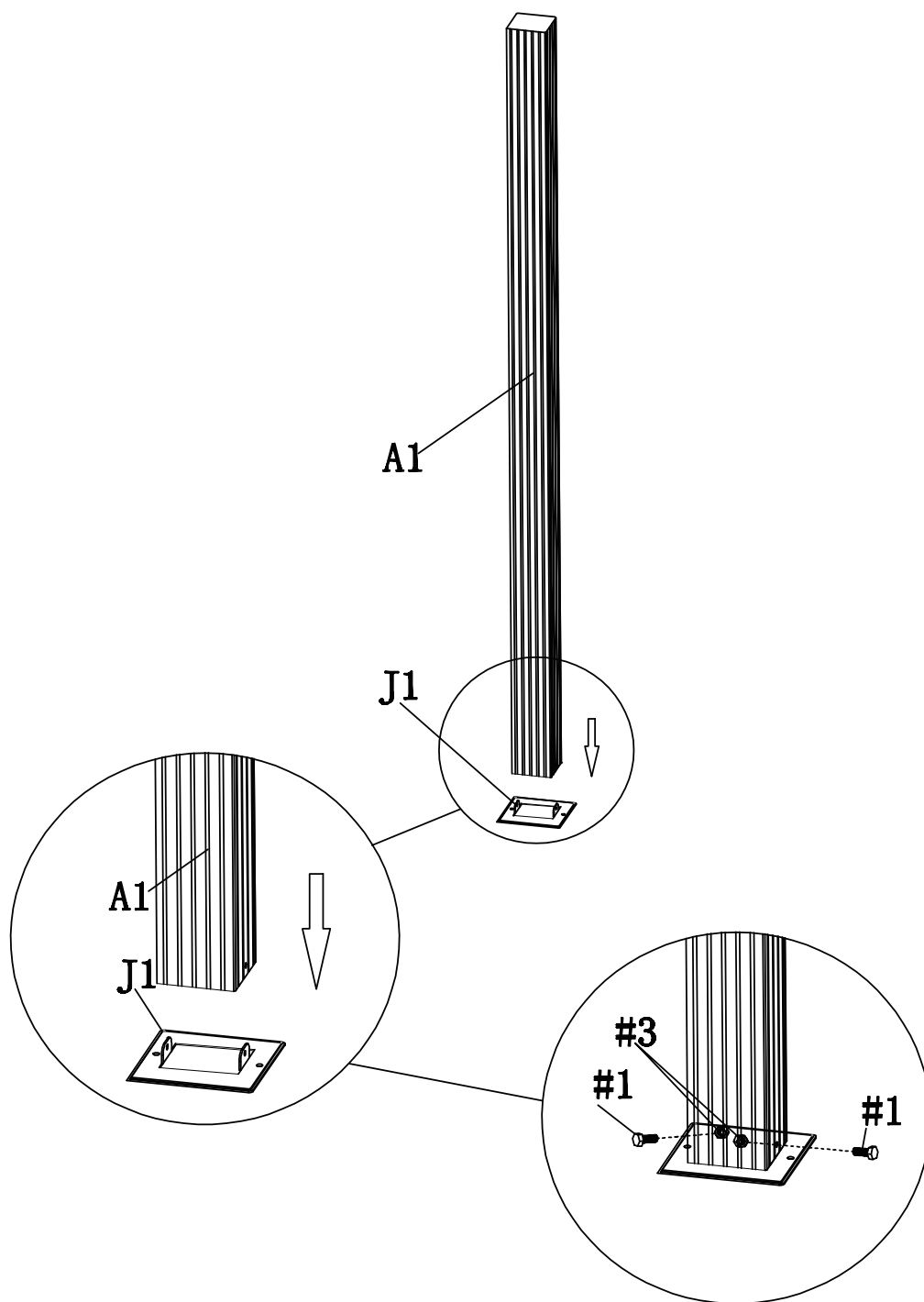
STEP 2

A1\*2

J1\*2

#1\*4

#3\*4

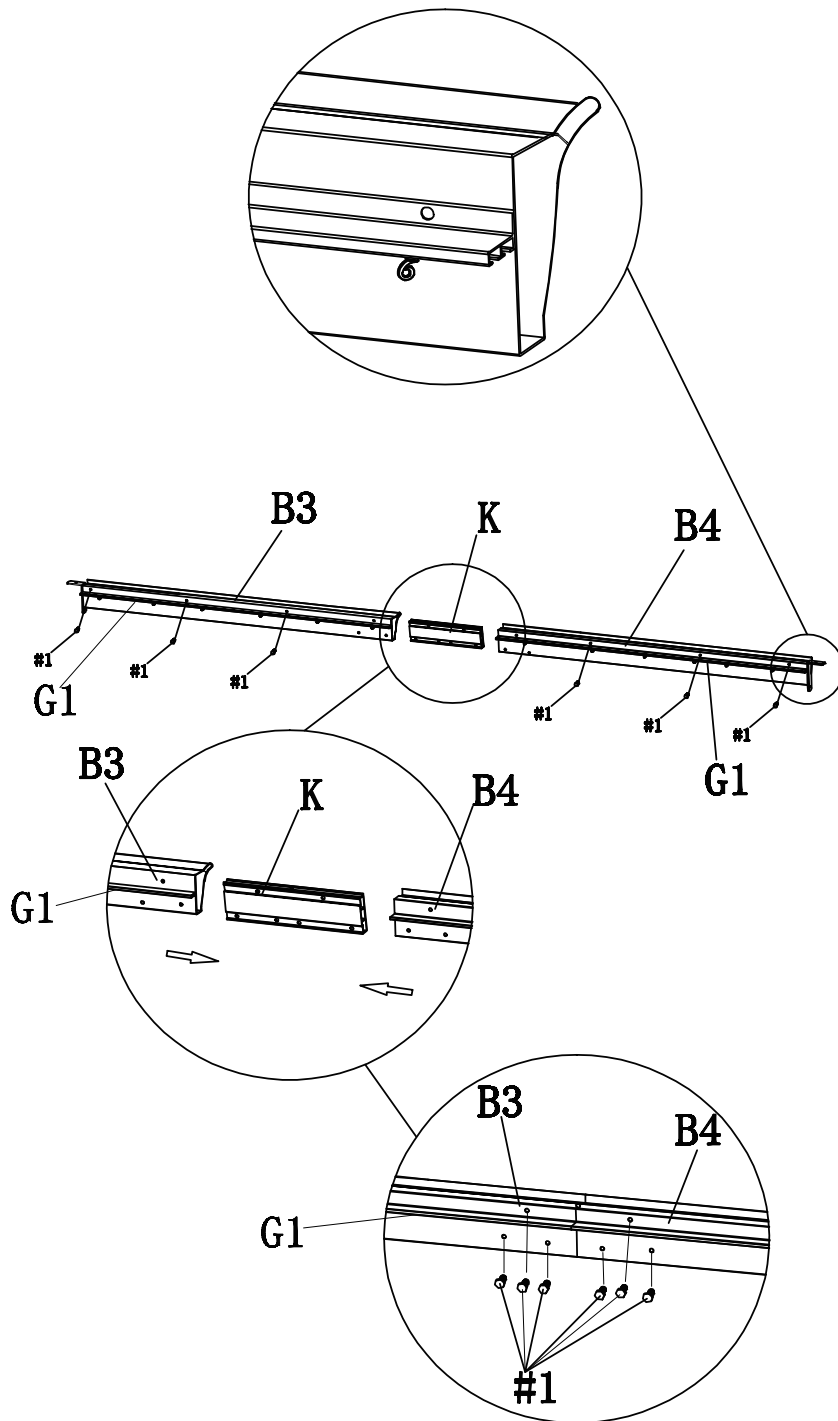


# Assembly

## Assembly Step

### STEP 3

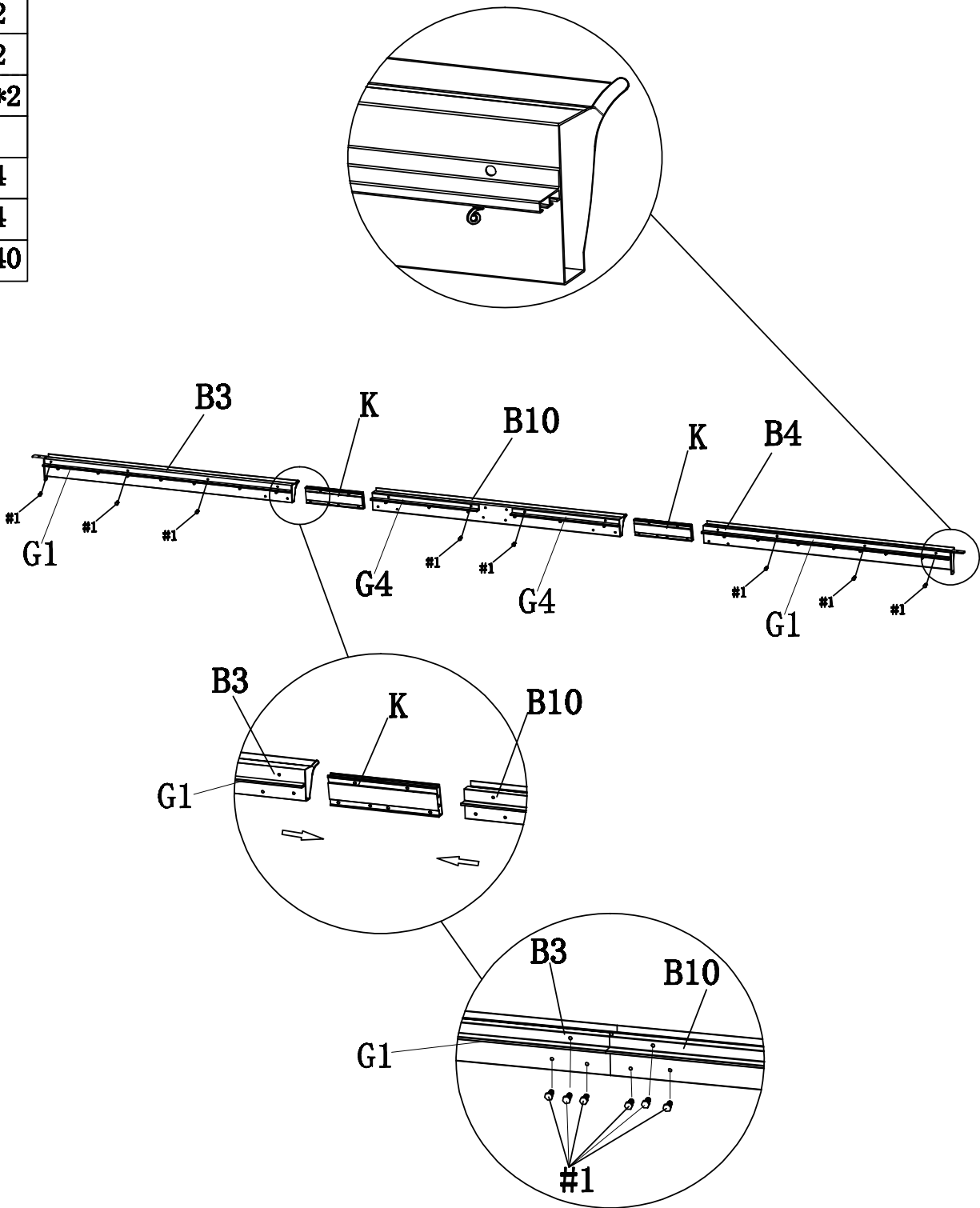
- B3\*2
- B4\*2
- K\*2
- G1\*4
- #1\*24



## Assembly Step

### STEP 4

- B3\*2
- B4\*2
- B10\*2
- K\*4
- G1\*4
- G4\*4
- #1\*40



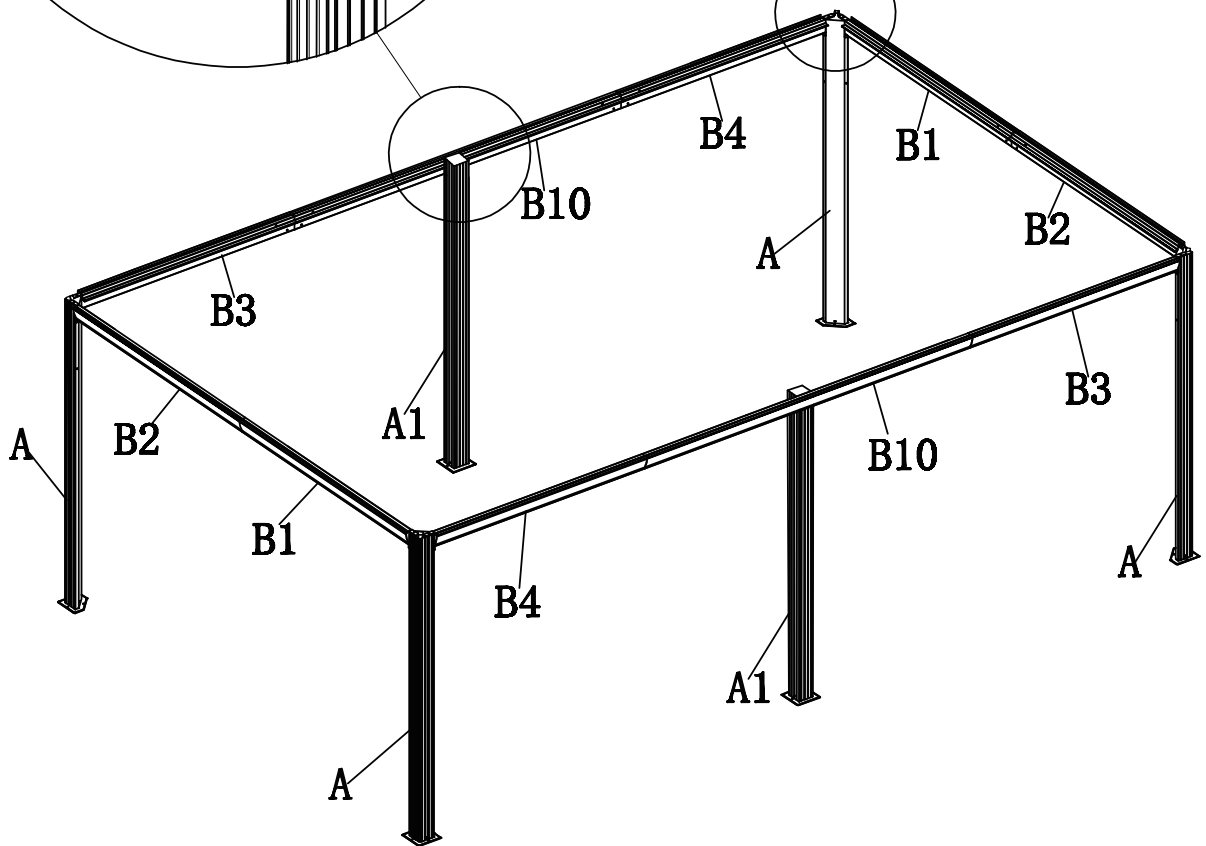
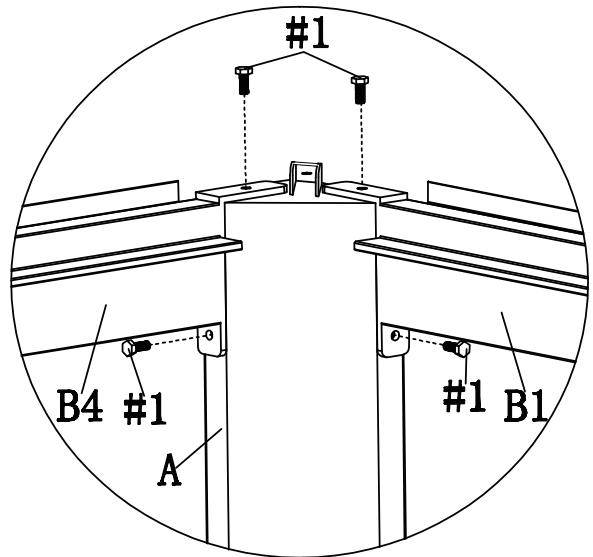
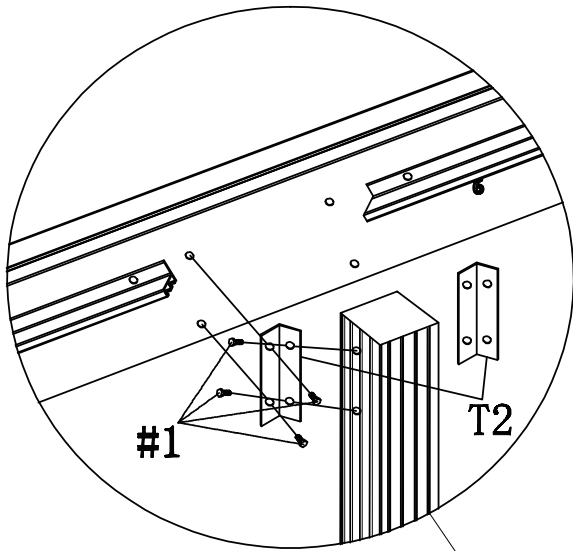
# Assembly

## Assembly Step

STEP 5

T2\*4

#1\*32



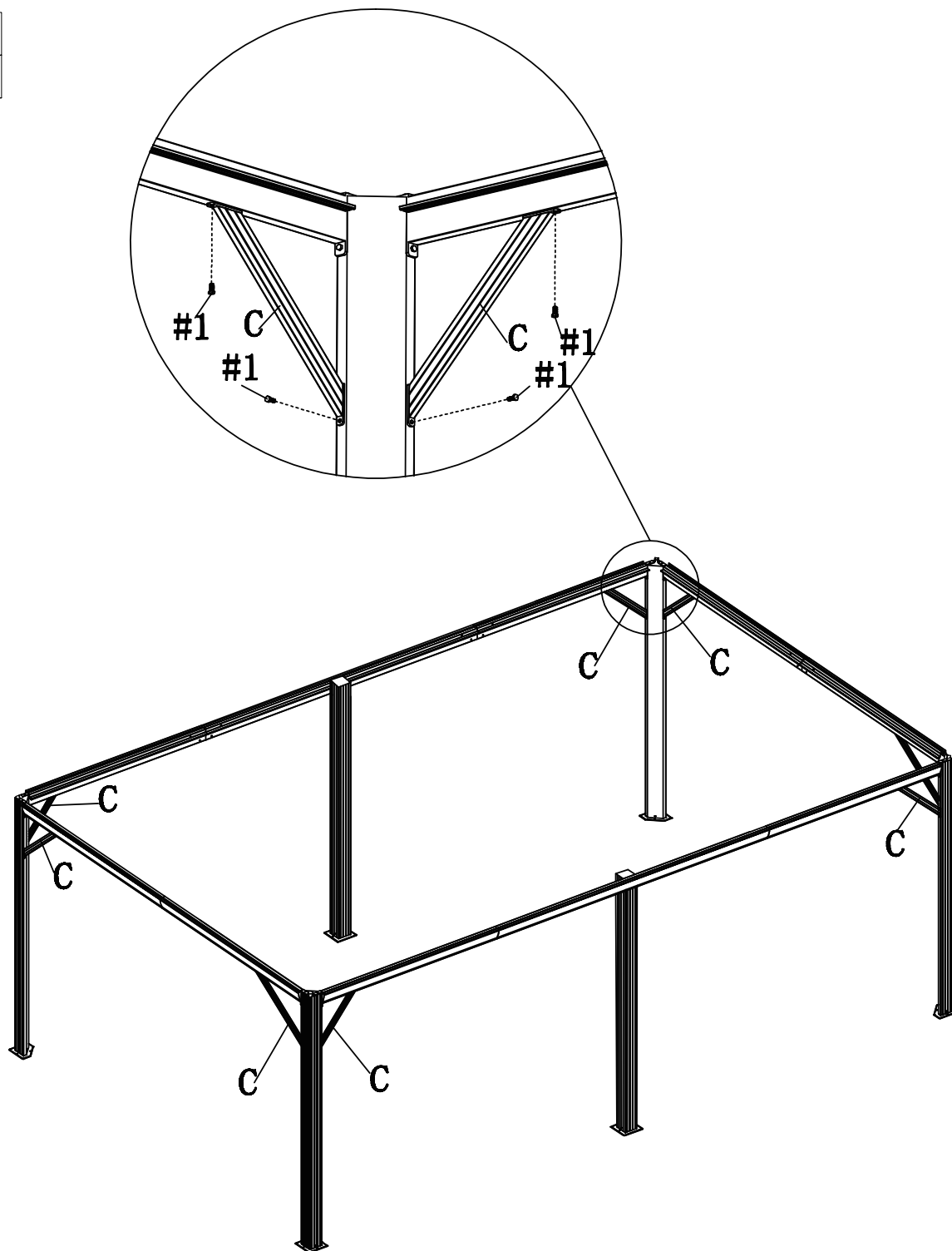
# Assembly

## Assembly Step

STEP 6

C\*8

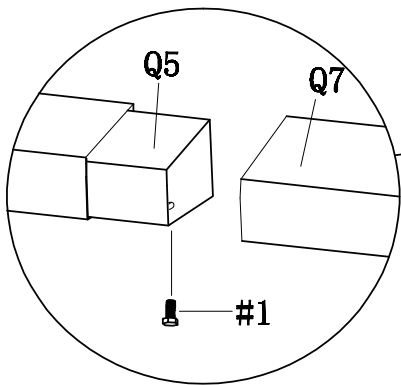
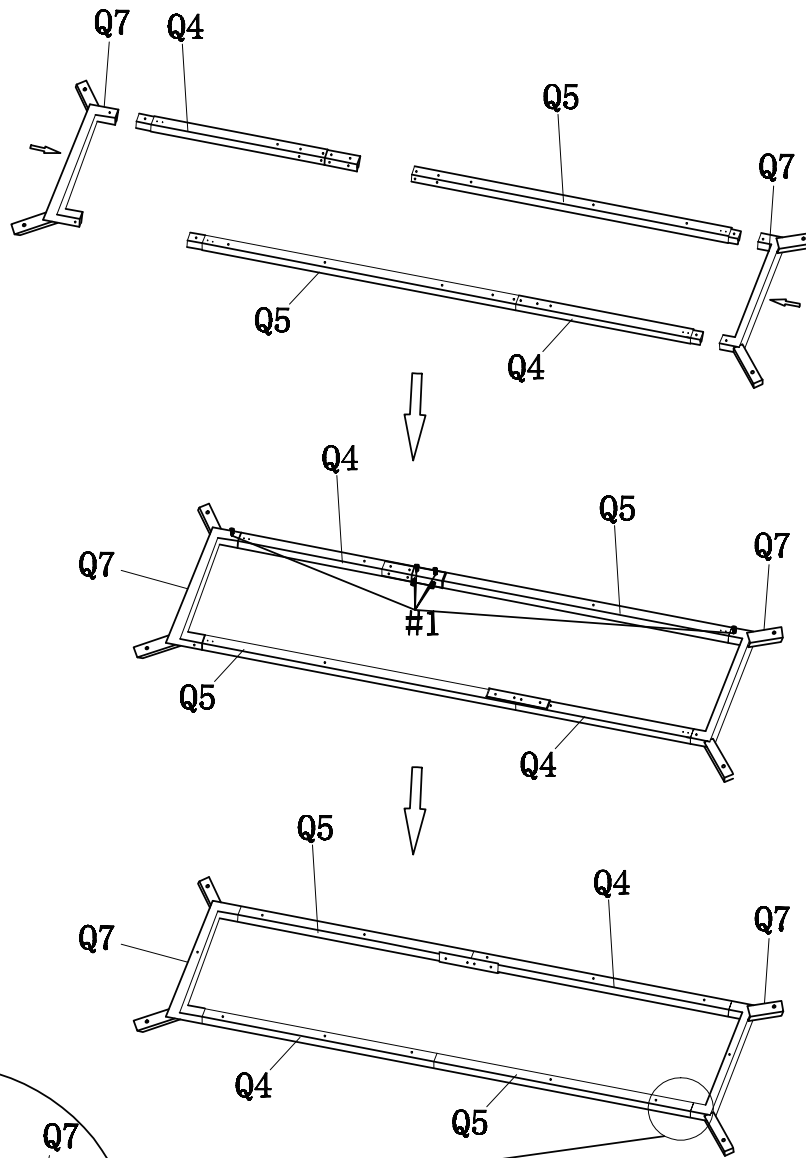
#1\*16



## Assembly Step

### STEP 7

- Q4\*2
- Q5\*2
- Q7\*2
- #1\*12

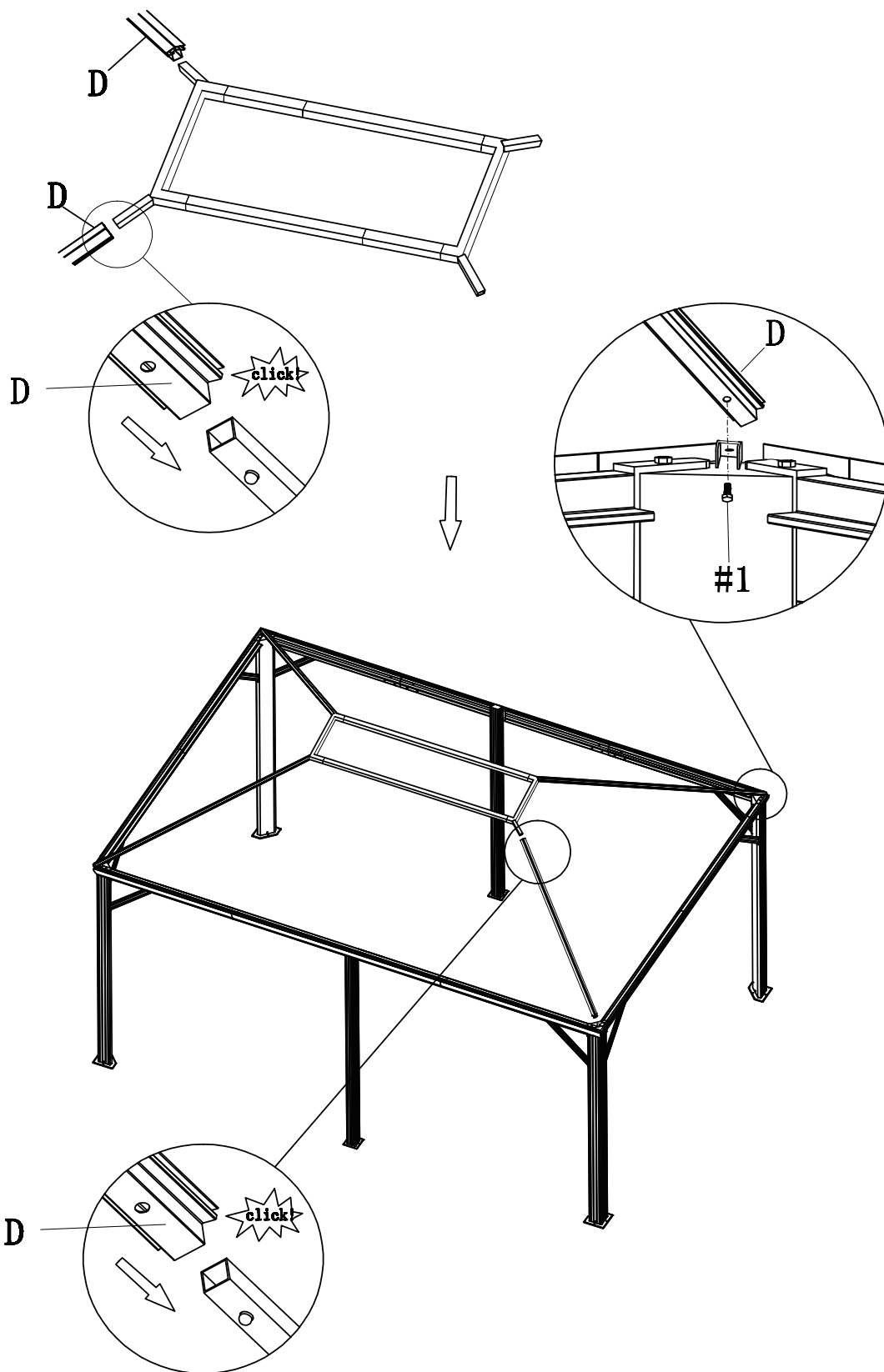


## Assembly Step

STEP 8

D\*4

#1\*4



## Assembly Step

### STEP 9

D3\*4

L\*4

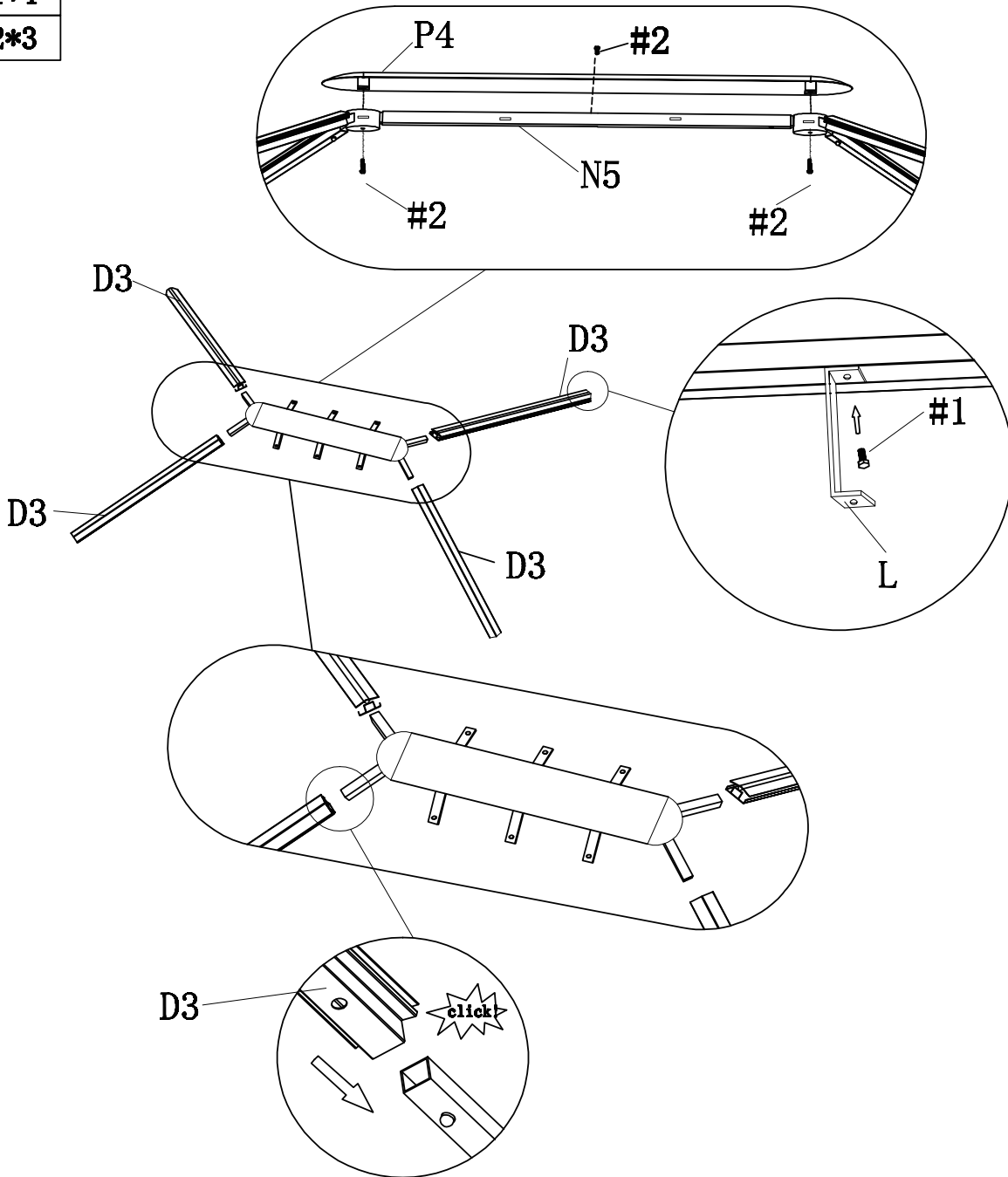
N5\*1

P5\*1

#1\*4

#2\*3

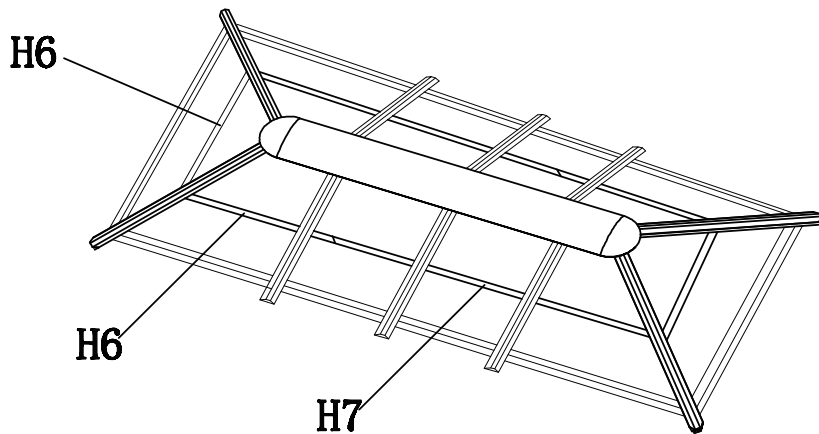
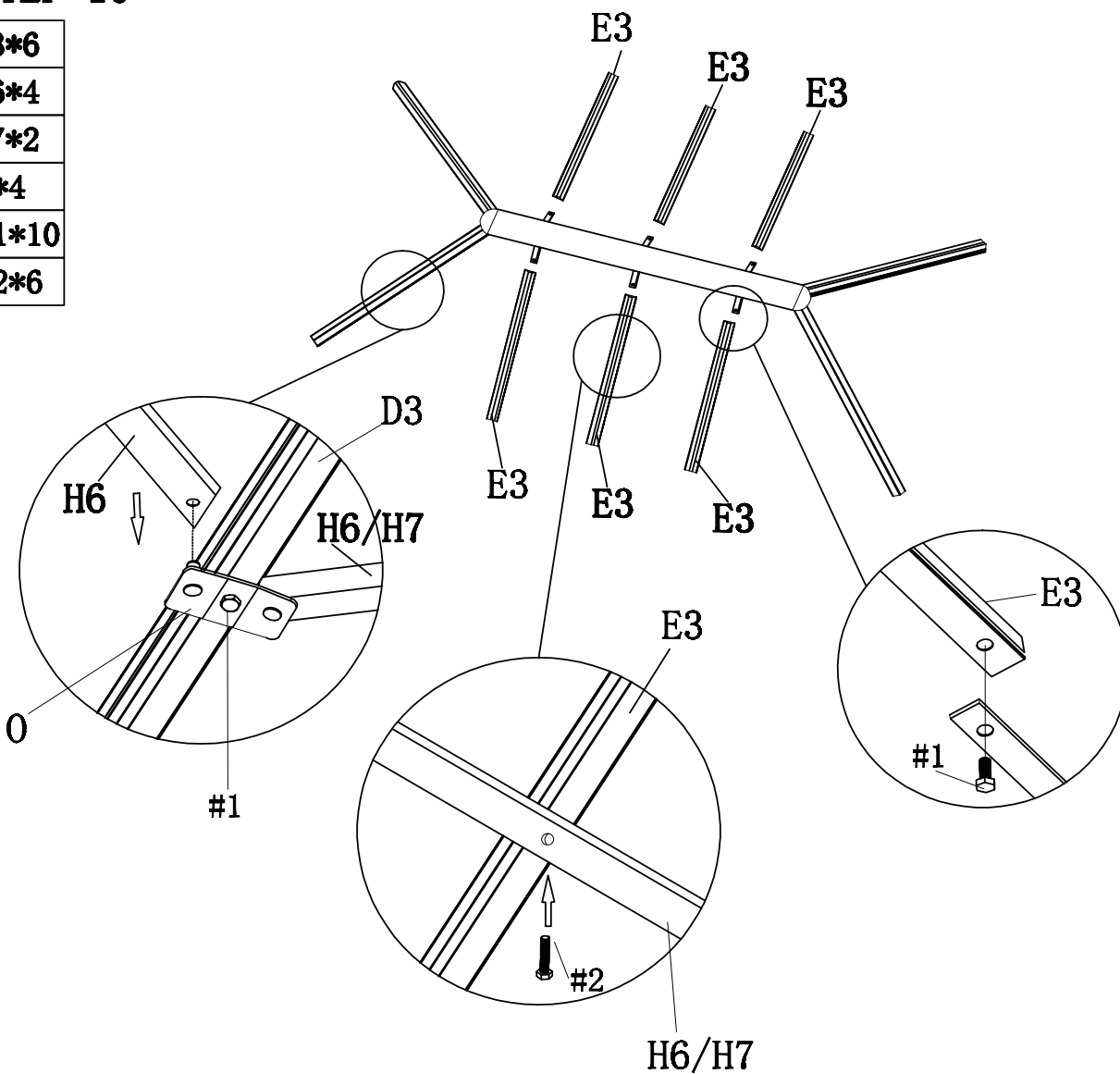
The small top screws are not screwed in first, which should be screwed in after completing the assembly of the small top colour steel tiles



## Assembly Step

### STEP 10

- E3\*6
- H6\*4
- H7\*2
- O\*4
- #1\*10
- #2\*6

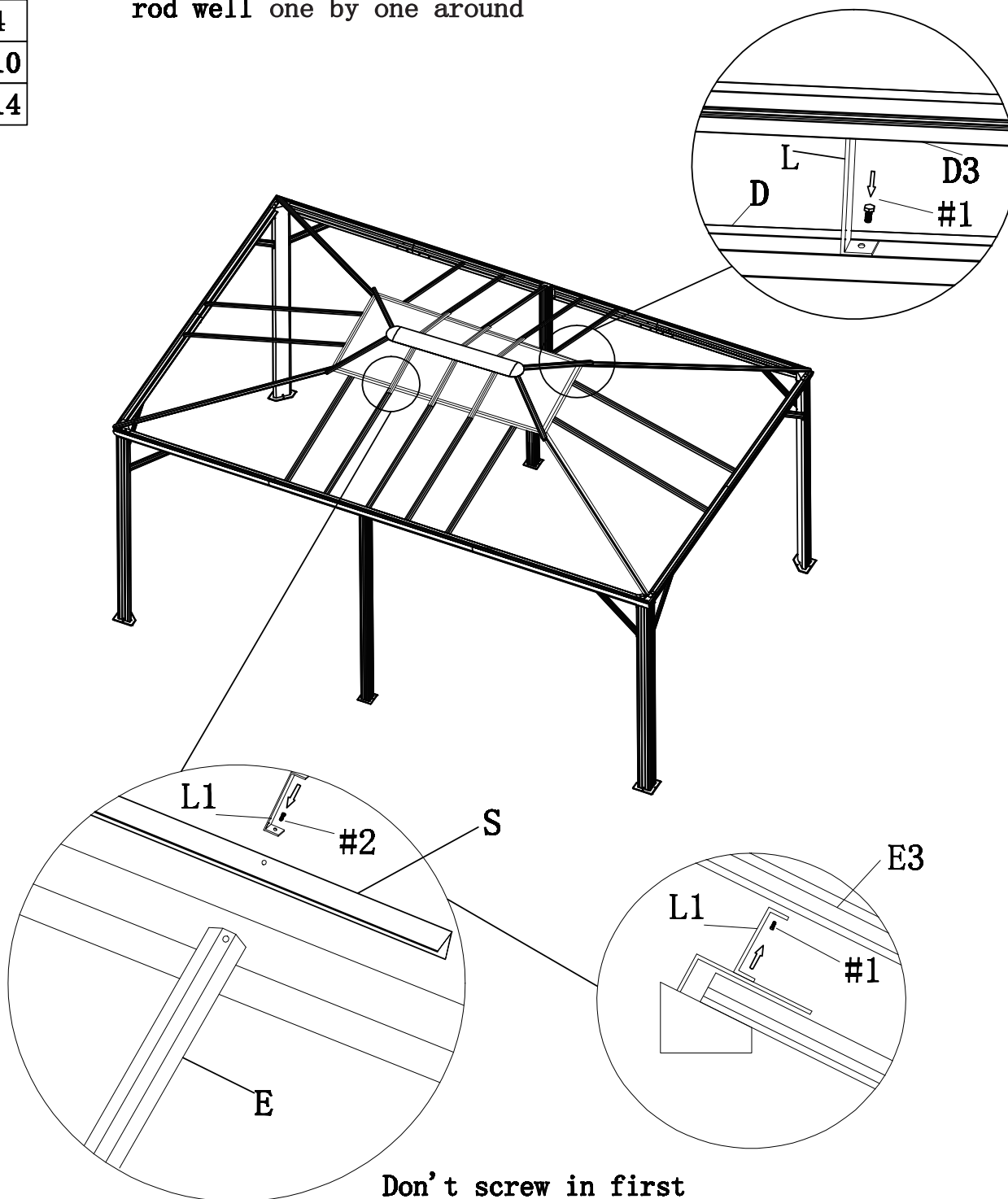


## Assembly Step

### STEP 11

- E\*14
- L1\*14
- S\*14
- #1\*10
- #2\*14

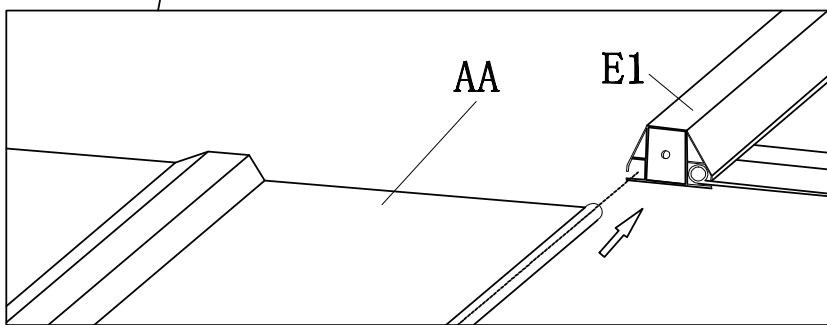
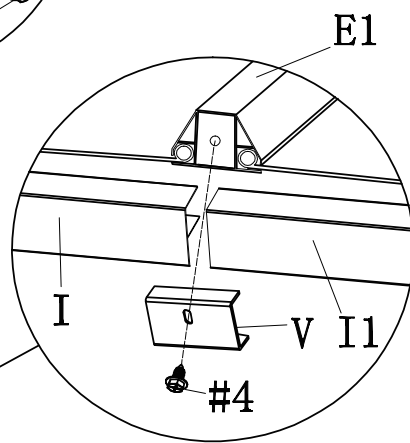
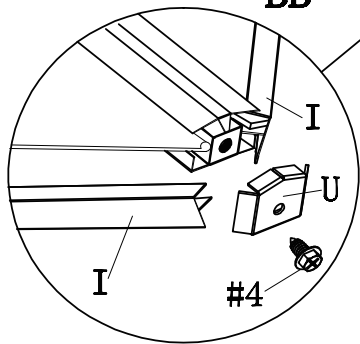
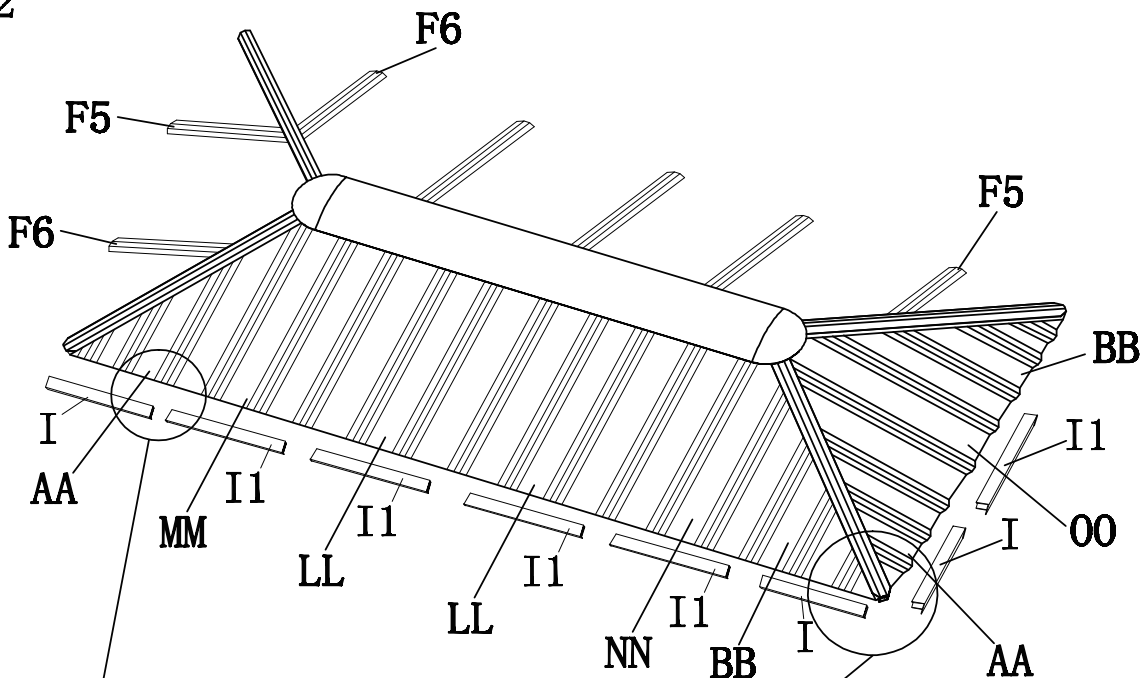
Assemble the small top and reinforcement rod well one by one around



## Assembly Step

STEP 12

I*8
I1*10
U*4
V*14
#4*18
AA*4
BB*4
LL*4
MM*2
NN*2
OO*2

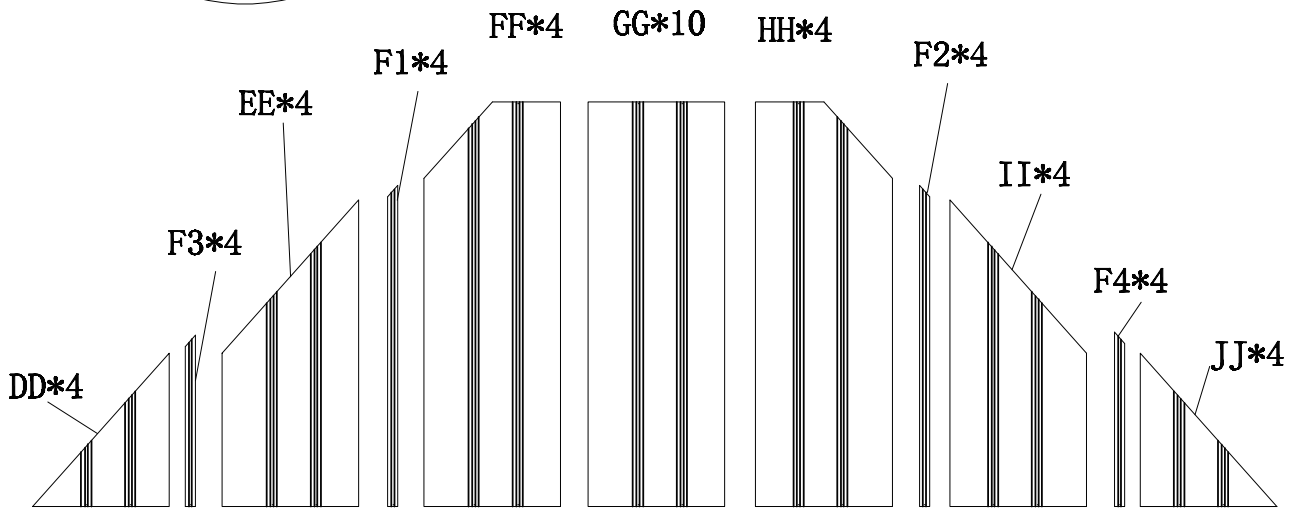
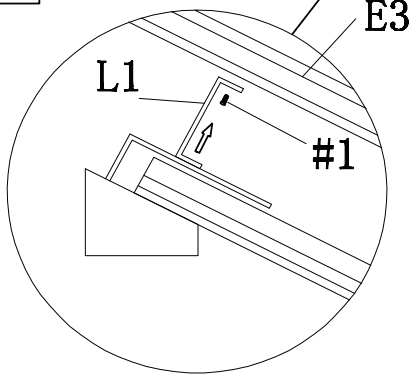
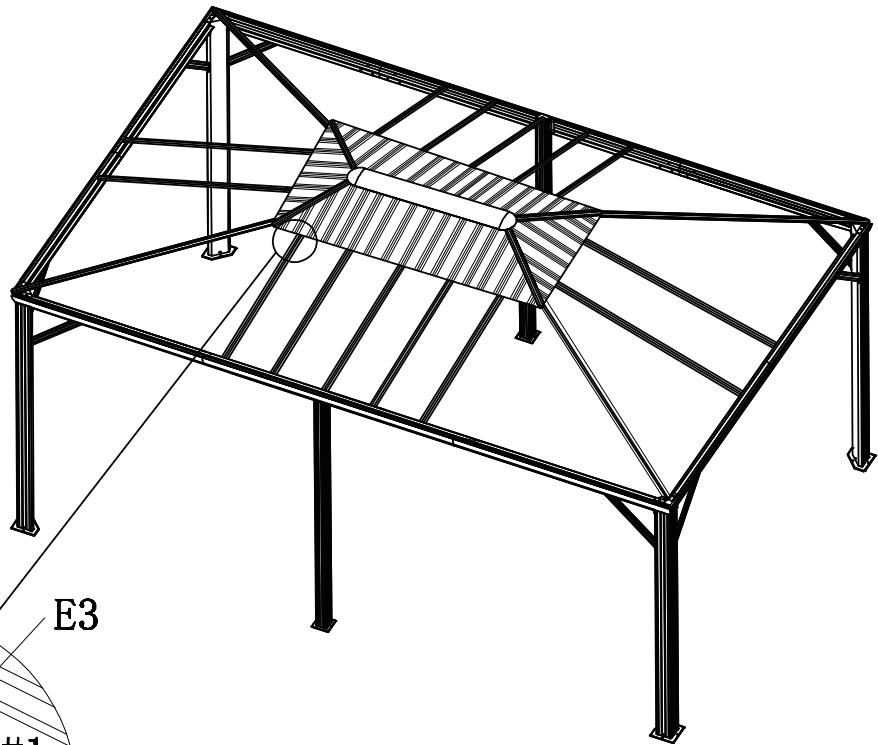


The small top tiles are assembled one by one around

## Assembly Step

### STEP 13

- F1\*4
- F2\*4
- F3\*4
- F4\*4
- DD\*4
- EE\*4
- FF\*4
- GG\*10
- HH\*4
- II\*4
- JJ\*4
- #1\*8

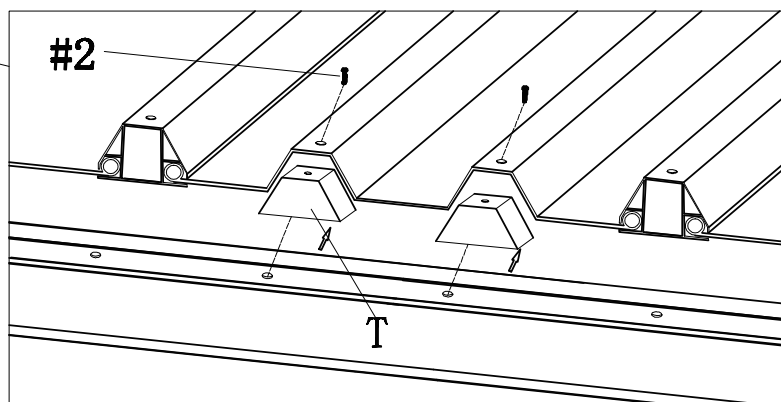
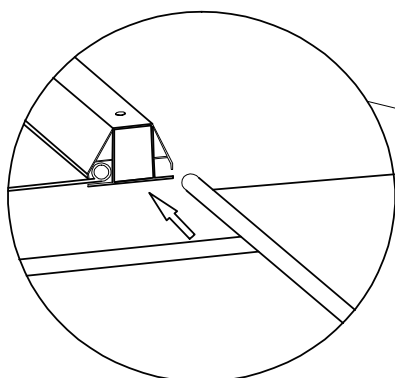
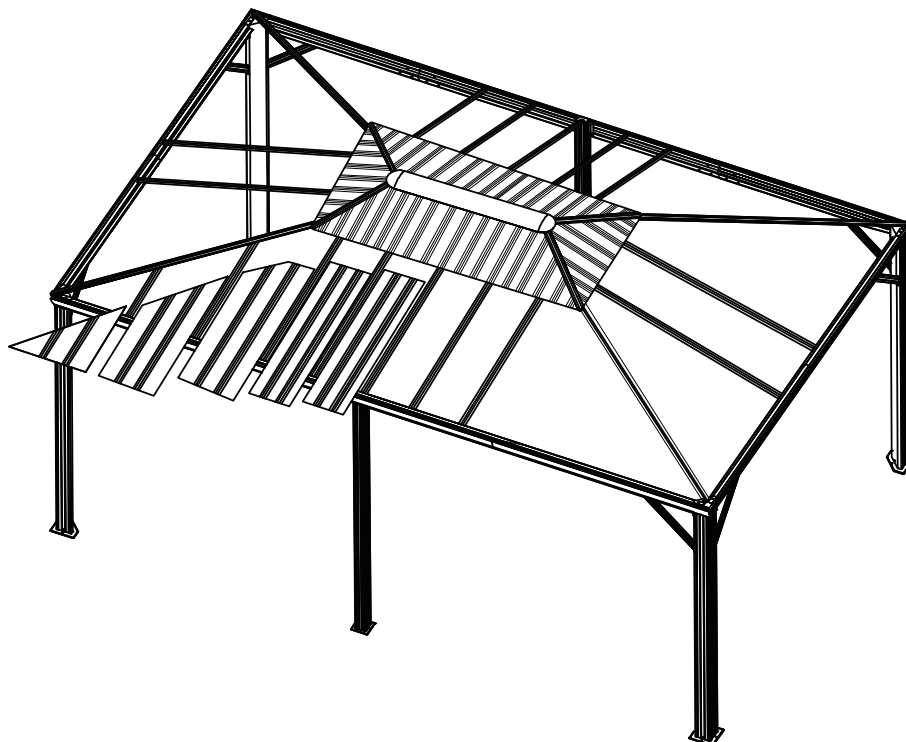


## Assembly Step

### STEP 14

T\*68

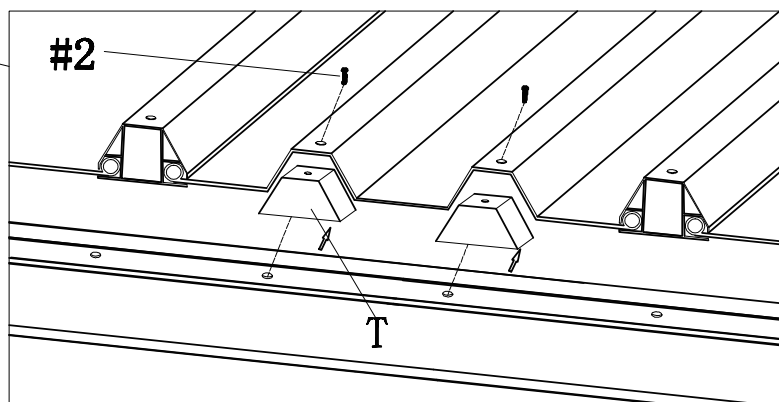
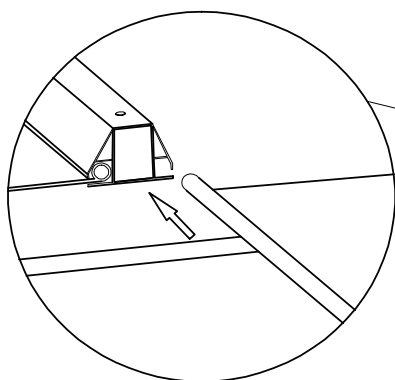
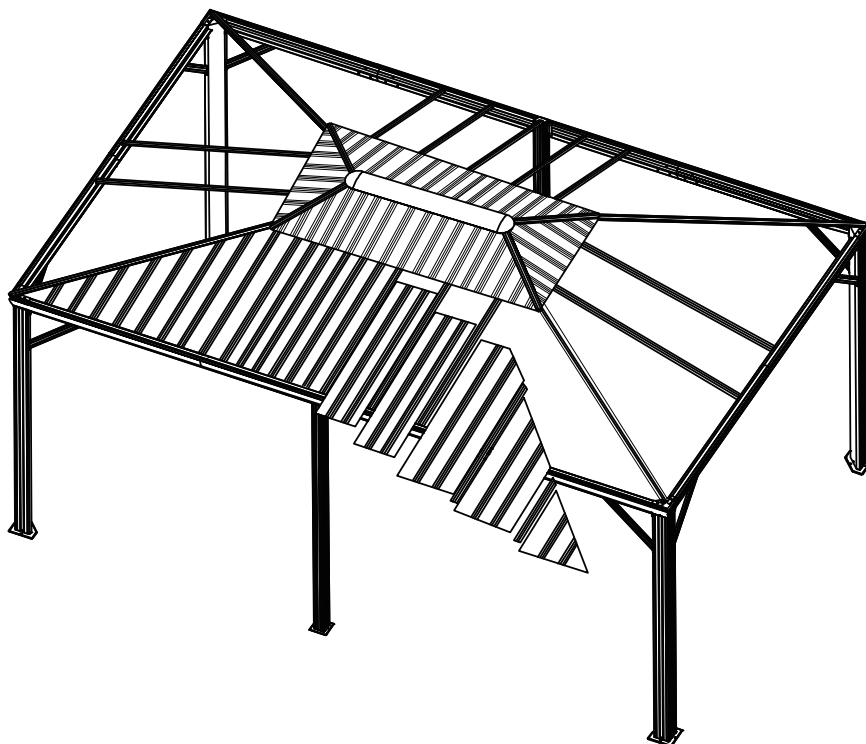
#2\*98



When to install color steel tiles with screws , starting from the middle 2 screws (#2) to both sides as above picture, and leaving a screw not installed temporarily for enough space to insert another color steel tiles .After all the color steel tiles and plugs (T) putting in order , then to fasten all the screws.

## Assembly Step

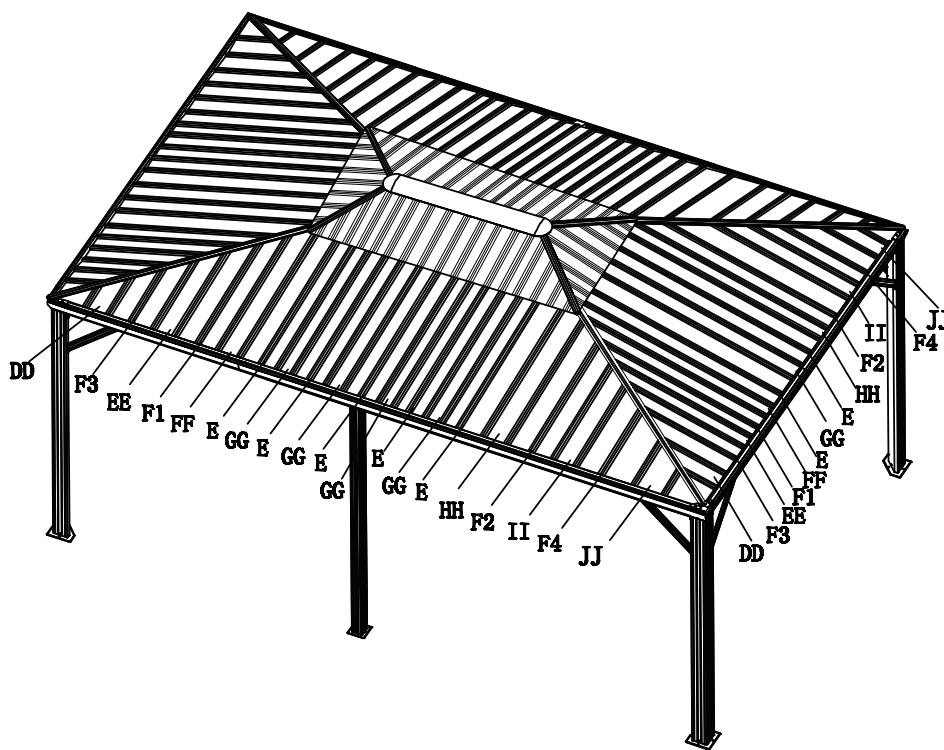
### STEP 15.



When to install color steel tiles with screws , starting from the middle 2 screws(#2) to both sides as above picture, and leaving a screw not installed temporarily for enough space to insert another color steel tiles .After all the color steel tiles and plugs (T) putting in order , then to fasten all the screws.

## Assembly Step

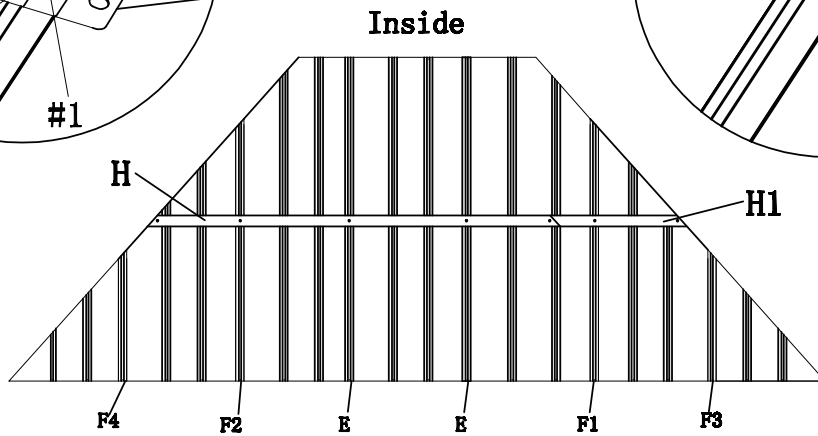
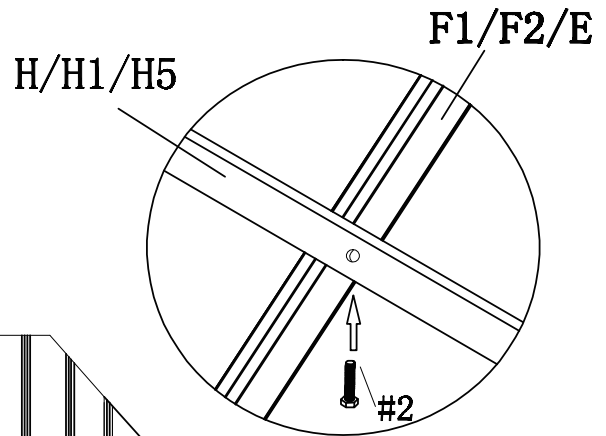
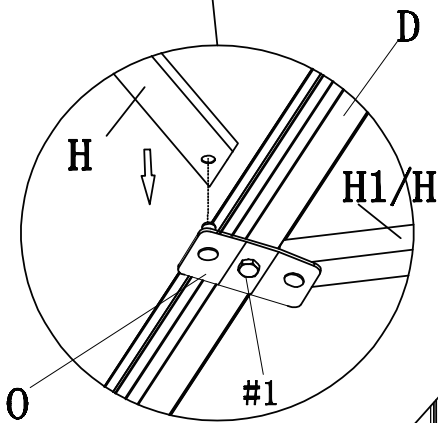
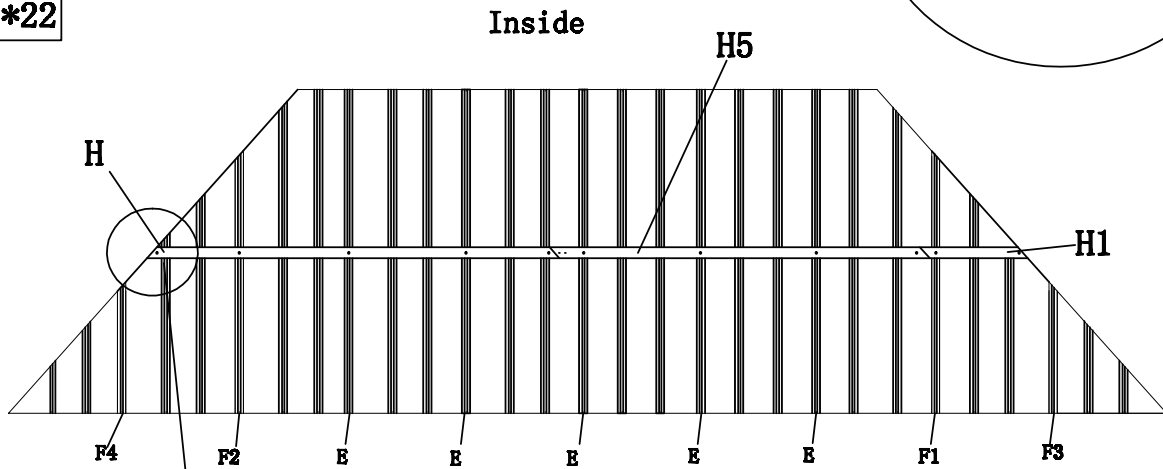
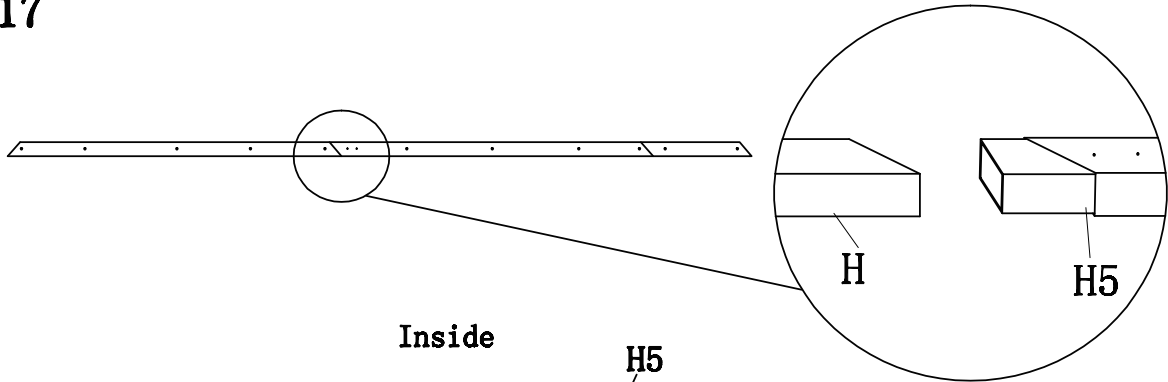
### STEP 16



## Assembly Step

### STEP 17

H*4
H1*4
H5*2
O*4
#1*4
#2*22



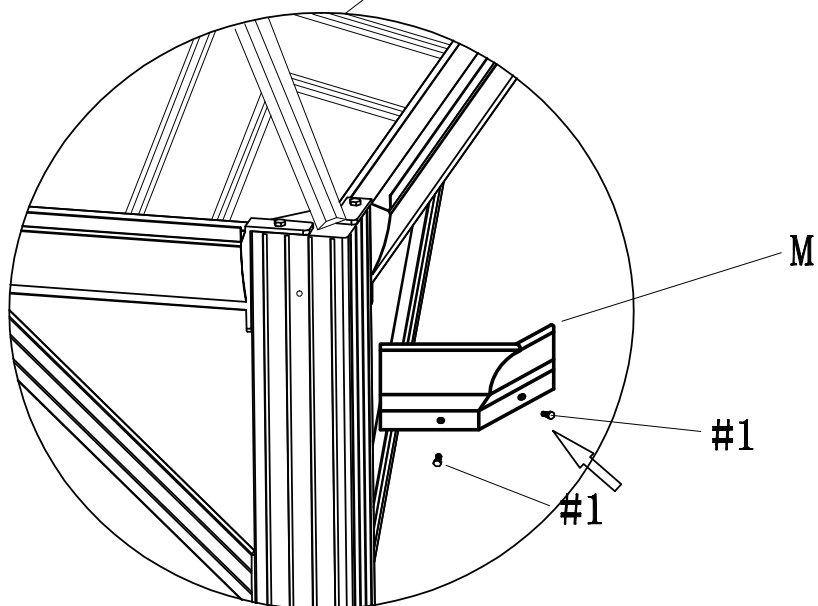
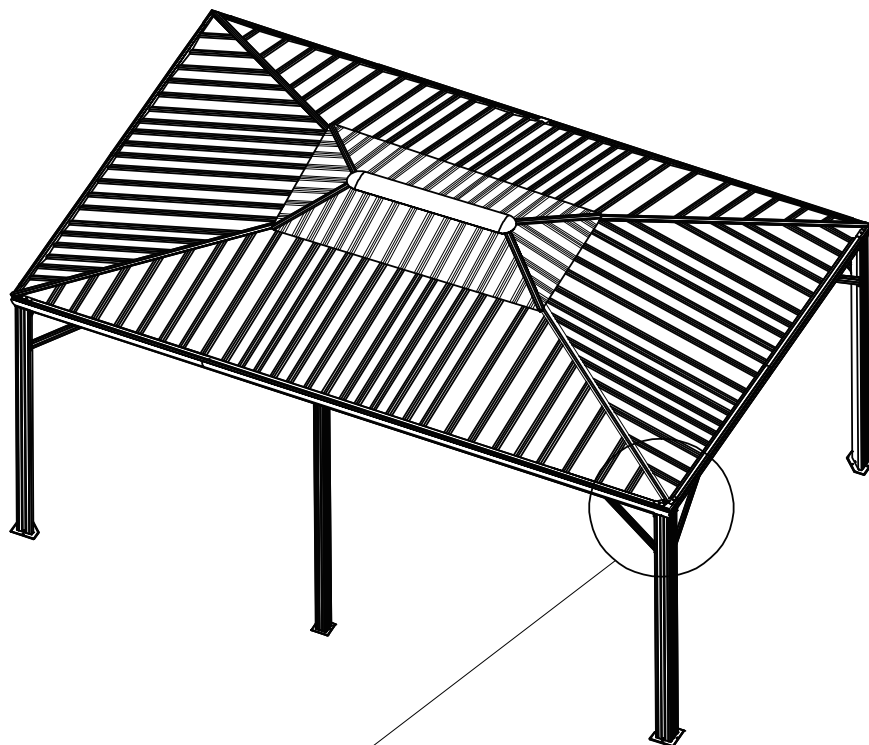
The support tube is installed at bottom of coloured steel tiles

## Assembly Step

### STEP 18

M\*4

#1\*8

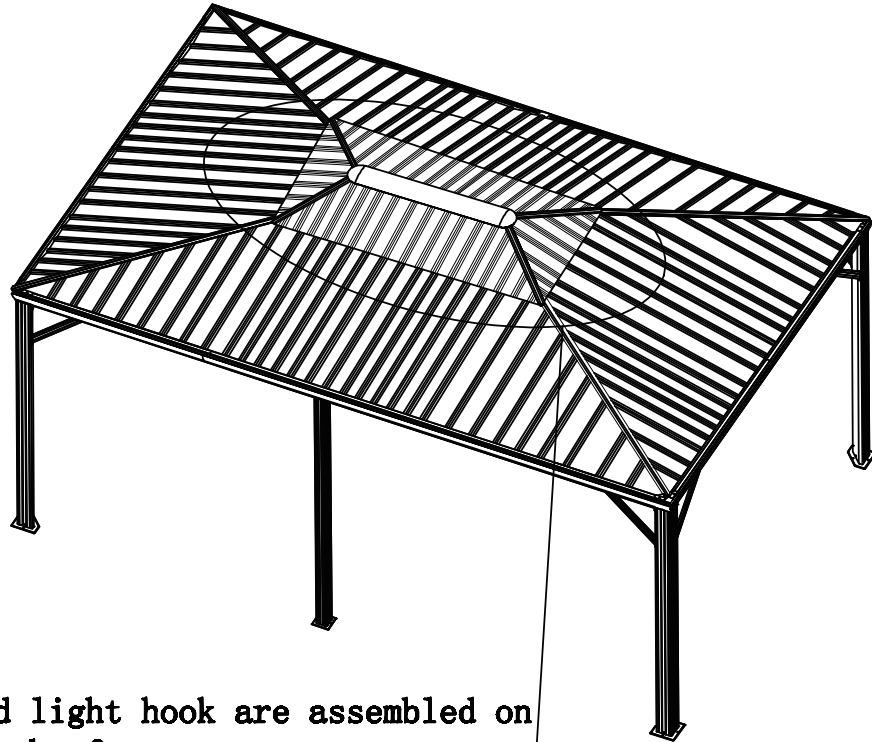


**Check if all screws screwed in**

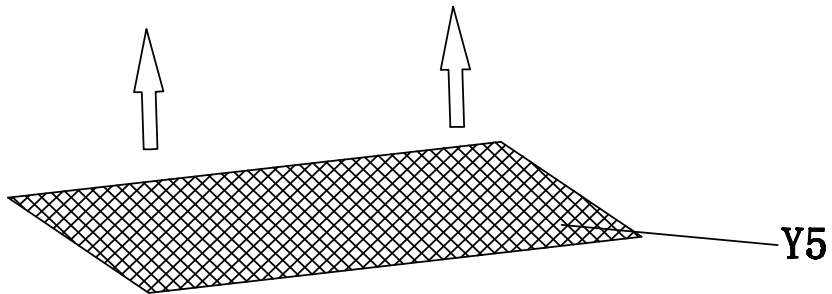
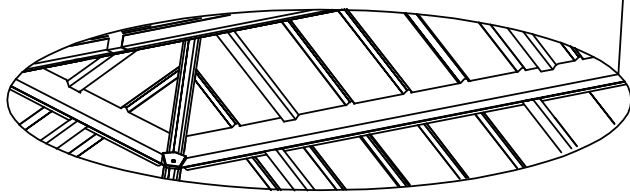
## Assembly Step

STEP 19

Y5\*1



Small mesh and light hook are assembled on the bottom of the frame



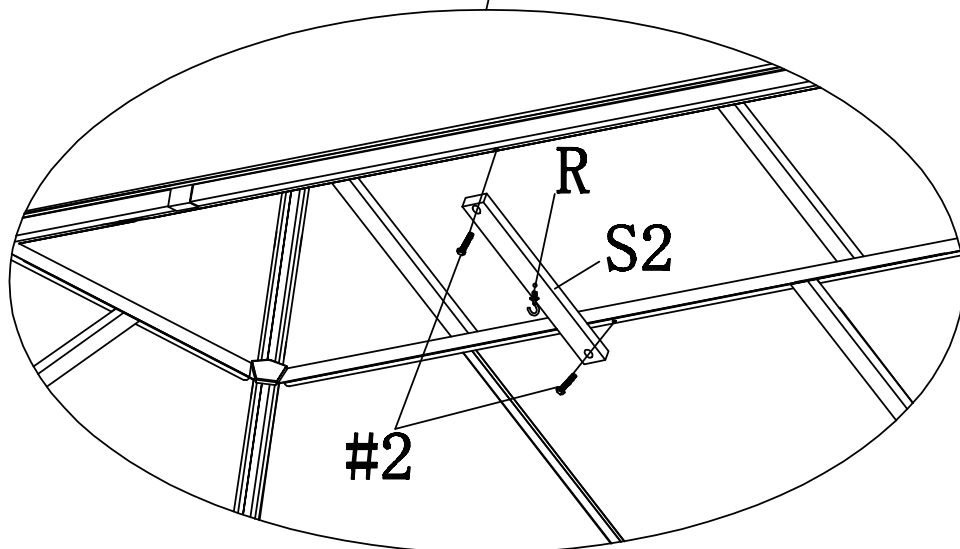
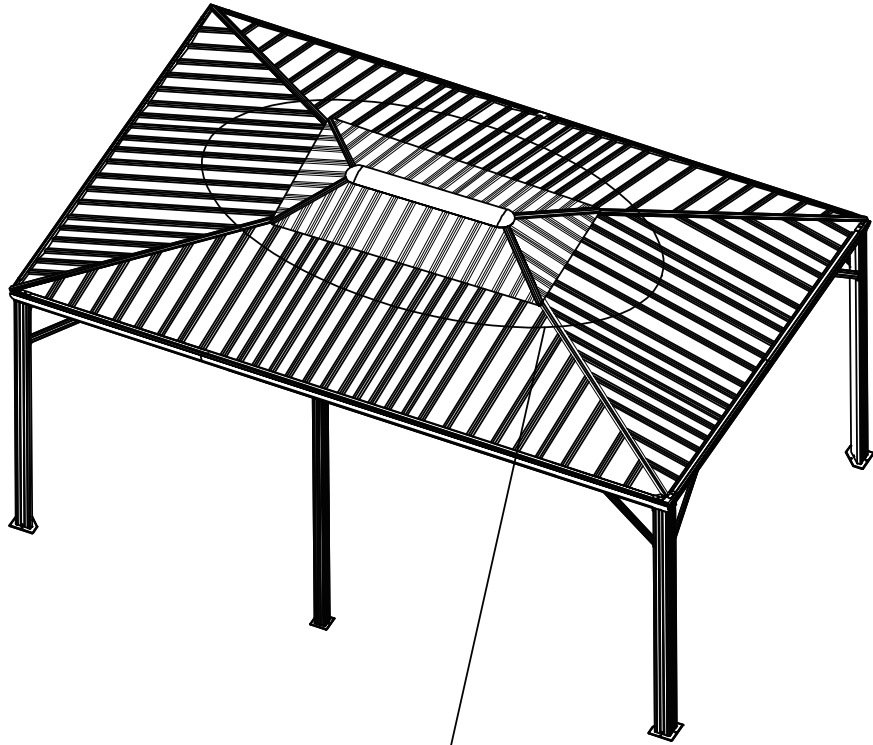
## Assembly Step

**STEP 20**

**R\*3**

**S2\*3**

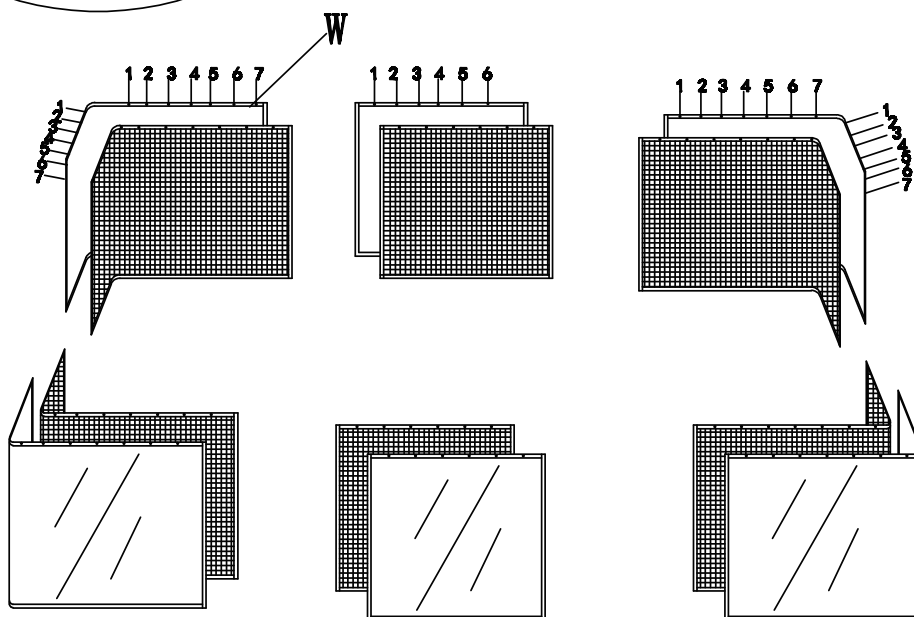
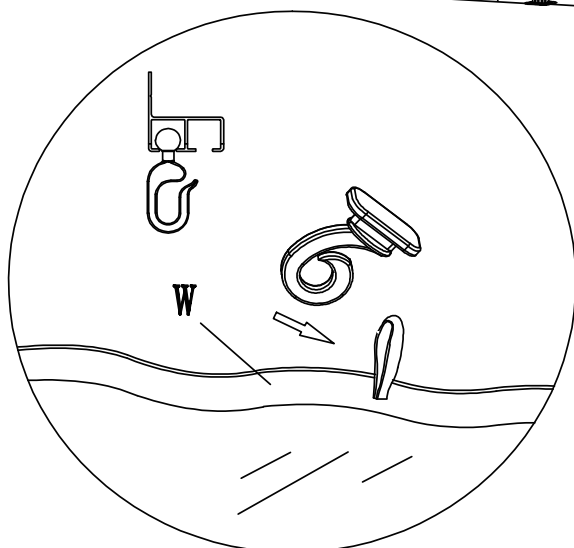
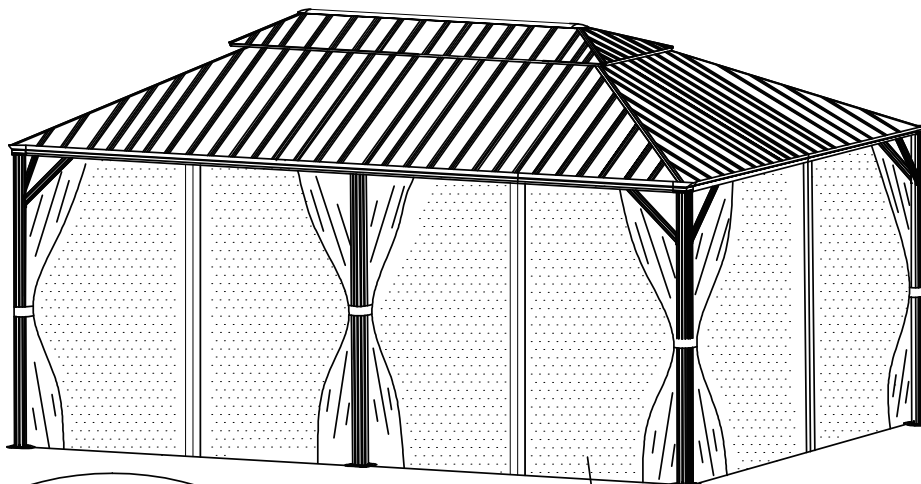
**#2\*6**



## Assembly Step

STEP 21

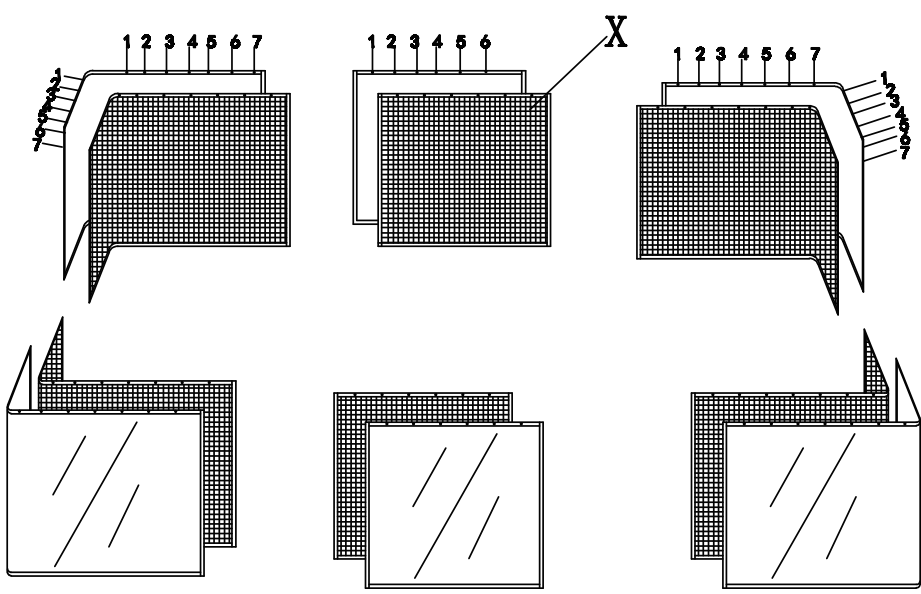
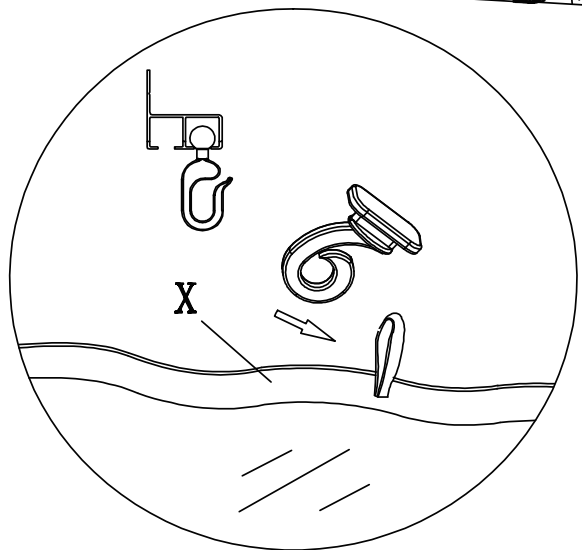
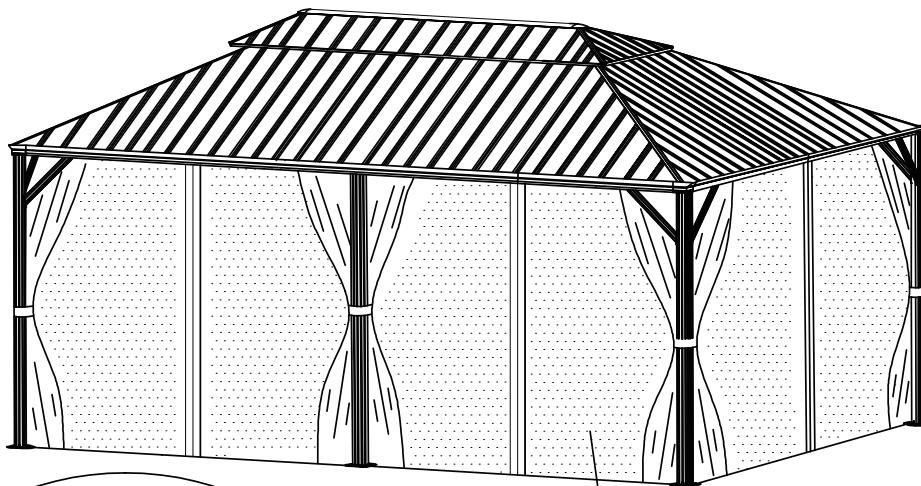
W\*1



## Assembly Step

STEP 22

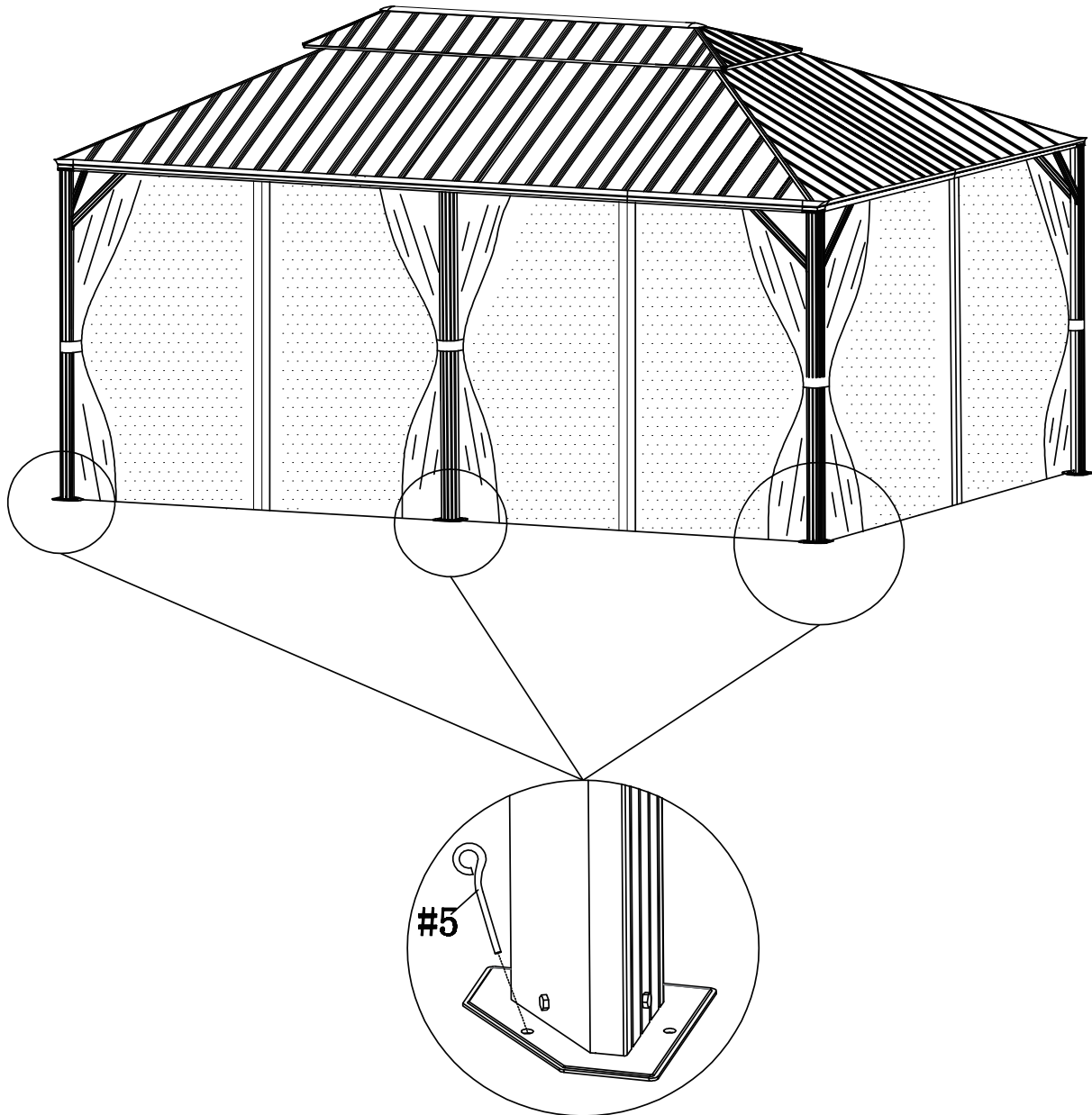
X\*1



## Assembly Step

**STEP 23**

**#5\*6**



## Cleaning and Maintenance

---

- **Inspect and tighten all screws on a regular basis to ensure proper performance and safety.**



Questions, problems, missing parts? Before returning to the store  
please contact our Customer Service

---

• [service@alphamarts.com](mailto:service@alphamarts.com) •

**1-877-606-2818**