

CARE AND MAINTENANCE

To care, we recommend cleaning with a soft, damp cloth to prevent water spots, toothpaste residue, and soap scum buildup. Steer clear of abrasive scouring pads or cleaners, which can scratch the surface and compromise the basin's luster. To prevent stains from hair dyes, cosmetics, or other products, rinse the sink thoroughly after use and avoid leaving these items in contact with the surface. Make cleaning a part of your routine to maintain its pristine appearance.

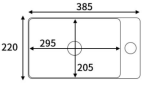

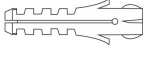
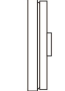


JY

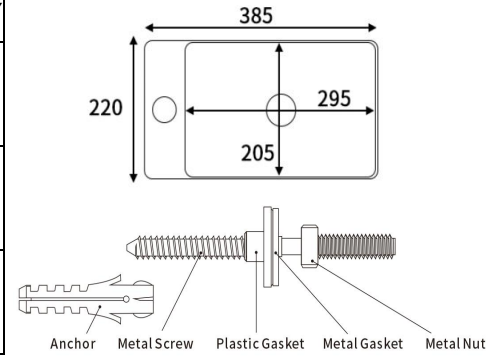
JONATHAN Y

Model# SNK1004

Product Dimensions: 15" L X 8.5" W X 4" H

Part List and Hardware List

PIECE	DESCRIPTION	PICTURE	QUANTITY	PIECE	DESCRIPTION	PICTURE	QUANTITY
A	SINK		1X	D	Plastic Gasket		2X
B	Anchor		2X	E	Metal Gasket		2X
C	Metal Screw		2X	F	Metal Nut		2X



PREPARATION

Before beginning assembly of product, make sure all parts are present. Compare parts with package contents list and hardware contents list.

If any part is missing or damaged, do not attempt to assemble the product.

Estimated Assembly Time: 6 minutes.

If there are any questions relating to defects, missing parts, assembly issues, replacements, or device connectivity issues, please send a detailed email to cs@jonathany.com

SUGGESTED TOOLS & MATERIALS:



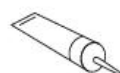
Safety Glasses



Adjustable Wrench



Jig Saw



Liquid Nail



Drill



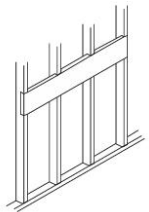
Tape Measure



Gloves

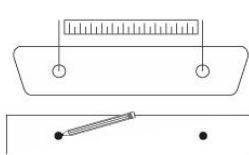


Drop Cloth



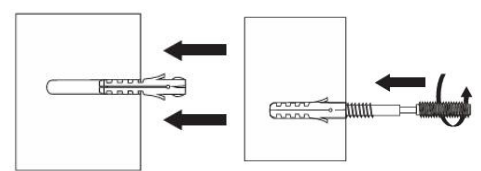
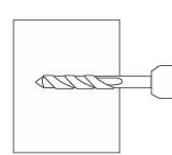
Step 1

Locate studs in the wall. If studs do not line up with the sink's mounting holes, additional support backing is needed behind the finished wall.



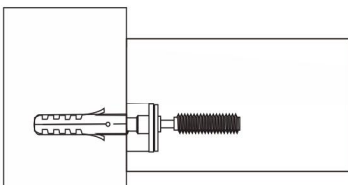
Step 2

Measure the distance between the center of each mounting hole on the back of the sink. Use this measurement to draw 2 marks onto the wall in the desired mounting location. Use a level to make sure the marks are level with the floor. Drill 2 holes according to the marks using a 14 mm masonry drill bit to a depth of 75 mm.



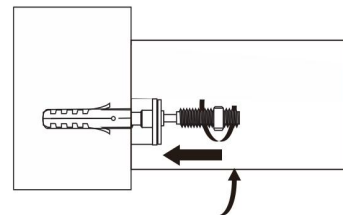
Step 3

Push an anchor into each hole. Screw a fixing bolt into each fixing plug using a 8 mm spanner until the spanner contacts the wall.



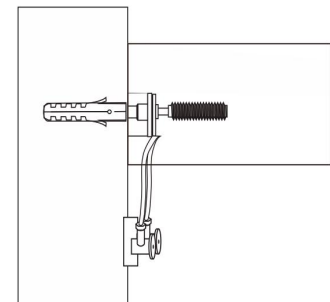
Step 4

Place the basin in position against the wall. Locate the fixing bolts through the holes in the rear of the basin. Push a plastic washer followed by a metal washer, onto each fixing bolt.



Step 5

Screw metal nut onto each fixing bolt to secure the basin. Do not overtighten, as this may damage the ceramic.



Step 6

Ensure sink is secure, tighten bolts if necessary. Install faucet and drain using manufacturer's instructions. Connect to water supply and check for leaks.