



Product Submittal	
Name	
Date	
Architect/Owner	
Contractor	
Tag	
Notes	

Poly Crimp Multi-Port Tee's Specification Sheet

Description

The SharkBite Multi-Port Tee allows for easy connection to PEX with improving install efficiencies and reducing the risk of installation errors. Minimizes the risk of leaks by eliminating excess connection points. All manifolds have a 1 in. trunk with 3/4 in. inlets and 1/2 in. branches.

Features And Benefits

- Compatible with PEX or PE-RT pipe.
- Made from high performance Acudel Polymer.
- Connects to pipe with Copper Crimp Rings or Stainless Steel Clamp Rings.
- Ideal in areas where water service is concentrated, such as bathrooms and kitchens.
- Minimum working temperature 33°F at 160 psi. Maximum working temperature 200°F at 80 psi.
- Approved for behind-the-wall applications with no access panels.

Specification Data

Materials	
Body	Acudel

Applications

- 80 psi @ 200°F
- 100 psi @ 180°F
- 160 psi @ 73.4°F

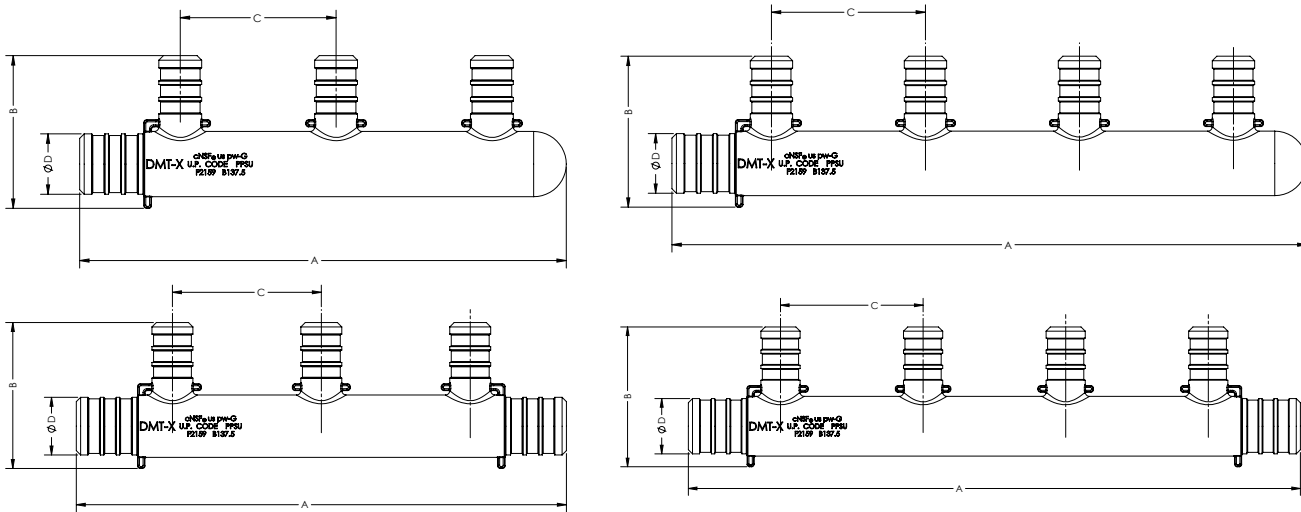


Part Listing

<input type="checkbox"/>	UPMPT3C	POLY 3-PORT CLOSED
<input type="checkbox"/>	UPMPT3O	POLY 3-PORT OPEN
<input type="checkbox"/>	UPMPT4C	POLY 4-PORT CLOSED
<input type="checkbox"/>	UPMPT4O	POLY 4-PORT OPEN

Dimensions

Part Number	DIM A (IN)	DIM B (IN)	DIM C (IN)	DIM D (IN)	WEIGHT (G)
UPMPT3C	5.39	1.69	1.72	0.67	30.41
UPMPT3O	5.68	1.69	1.72	0.67	30.98
UPMPT4C	7.11	1.69	1.72	0.67	40.84
UPMPT4O	7.40	1.69	1.72	0.67	41.40



Codes and Listing

ASTM F877
 ASMT F2159
 NSF/ANSI/CAN 61
 NSF/ANSI 372