

TROUBLESHOOTING

If there is a problem with the fan during use, please check the following tips for solutions. If the problem still cannot be solved, please contact our after-sales team.

The Fan Does Not Respond to the Remote Control.

- Check that all wire connections are correct and secure.
- Verify that the power is turned on and reaching the receiver.
- Verify that the batteries of the remote control are installed with the correct polarity, making sure to install the + (positive) end of the batteries on the solid end and the - (negative) end on the spring.

The Fan Makes a Humming Noise.

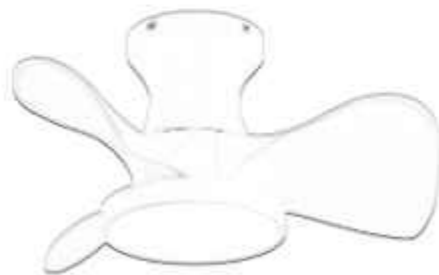
- Make sure the controls you use are supplied with your fan.
- Make sure all accessories are securely fastened. Loose parts often cause a vibrating noise or buzzing sound.
- Disassemble the fan and reinstalling it can sometimes remedy this resonant vibrating noise.

The Fan Makes a Repetitive Ticking Noise.

- Check for obstructions in the rotor path.
- Make sure mounting hardware at the ceiling is firmly fastened.
- Make sure all other hardware and blade attachments are tight.
- Give the fan a "Break in Period" of a few hours to a few days, then repeat the steps above.

The Fan Wobbles.

- Make sure the mounting plate and hardware at the ceiling are firmly fastened.
- Make sure all screw fittings on the fan are tight.
- If necessary, use the self-tapping screws provided to further secure the bracket to the joist.

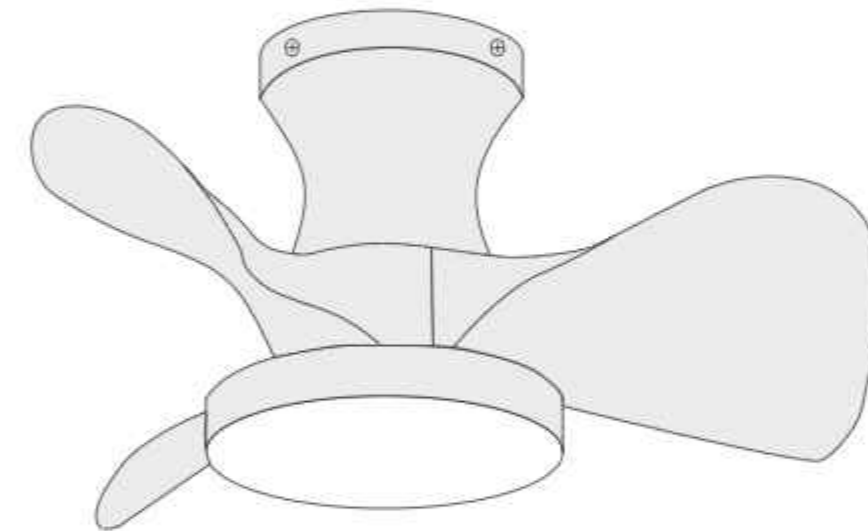


CONTACT INFORMATION

We want to hear your voice! Feel free to touch base if you encounter any issue when using our product(s) or want to know more about our brand.

We will be more than happy to provide top-notch pre-sales & after-sales service 24/7.

UOJ.service@outlook.com



Ceiling Fan Installation Instruction



SAFETY INFORMATION

Please read all safety information and instructions before installing the ceiling fan and save this manual for future reference.

SAFETY INFORMATION	01
PRE-INSTALLATION	02
PARTS LIST	03
INSTALLATION INSTRUCTION	04
OPERATION INSTRUCTION	09
SPECIFICATIONS	10



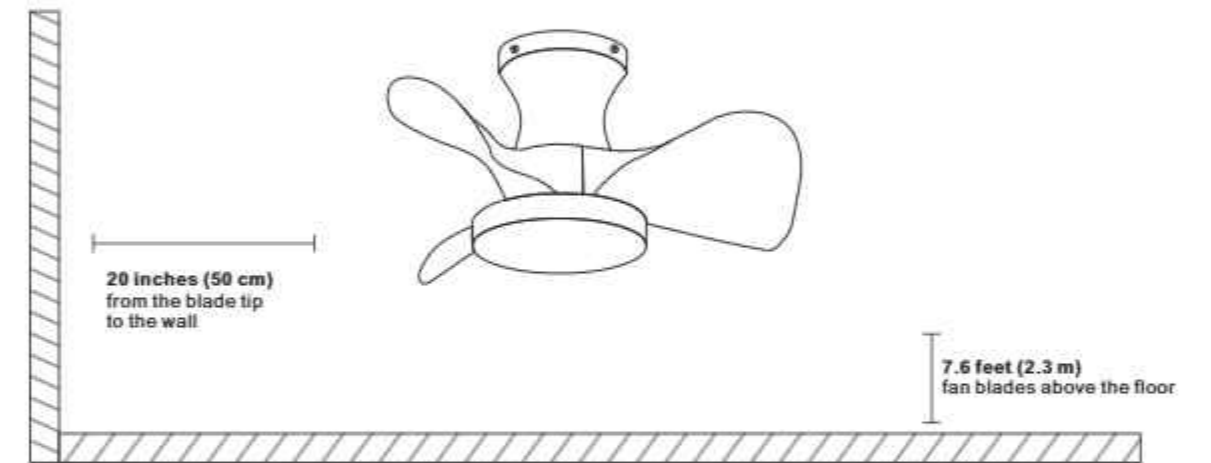
SAFETY INFORMATION



WARNING

- Before connecting the power supply, make sure that the power supply used matches the specifications of the ceiling fan.
- All wiring must comply with national and local electrical codes ANSI/NFPA 70 if you are not familiar with wiring, please use a qualified electrician.
- To reduce the risk of fire or electric shock, turn off the power to the fuse box or circuit breaker before installing the fan.
- To reduce the risk of personal injury, attach the fan directly to the building's support structure and ensure that it can accept at least 35 pounds (15.9 kg).
- Make sure that the installation location allows the fan blades to rotate without obstacles.

Installation Location



WARNING

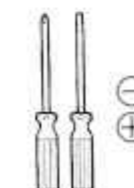
- Do not install the fan with wet hands.
- Do not insert foreign objects between the rotating fan blades.
- Do not bend the fan blades when installing or cleaning the fan.
- Do not disassemble or modify this product or use non-original parts without permission.
- Keep children away from your working area. Properly dispose of the fan's packaging material.
- Make sure the ceiling fan is firmly secure to the ceiling. Double check all connections before you restore power.
- Turn off the fan and wait for the blades to stop completely before performing any maintenance or cleaning.

PRE-INSTALLATION

Tools Required (Not Included)



Power Drill



Screwdriver



Step Ladder



Wire Stripper

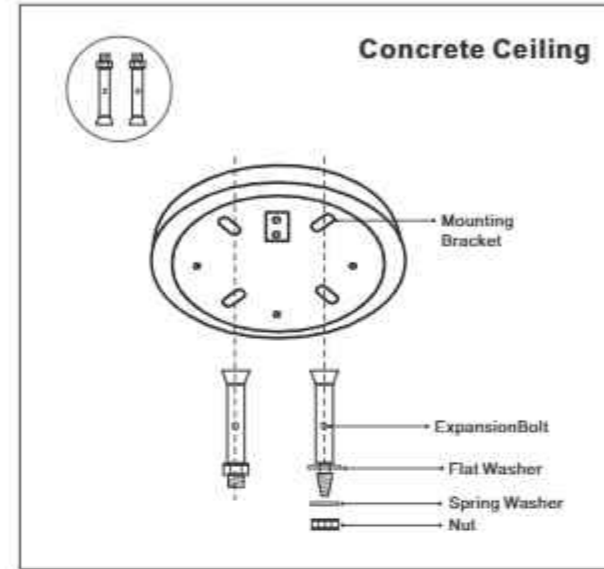


Electrical Tape

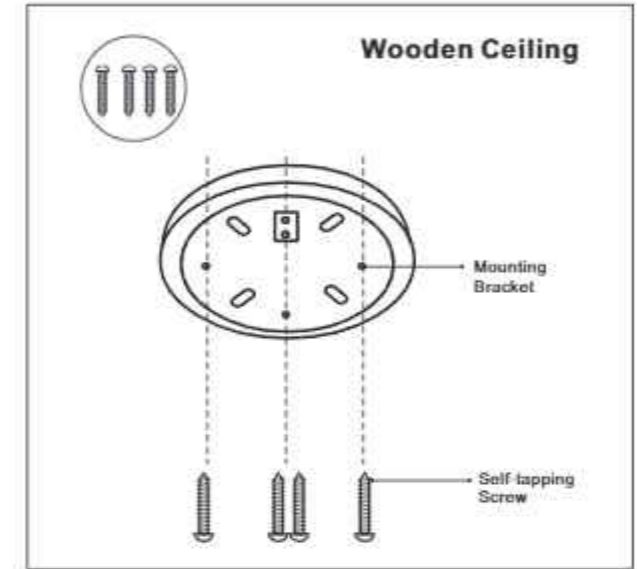


INSTALLATION INSTRUCTION

Step 1: Mounting Bracket Installation

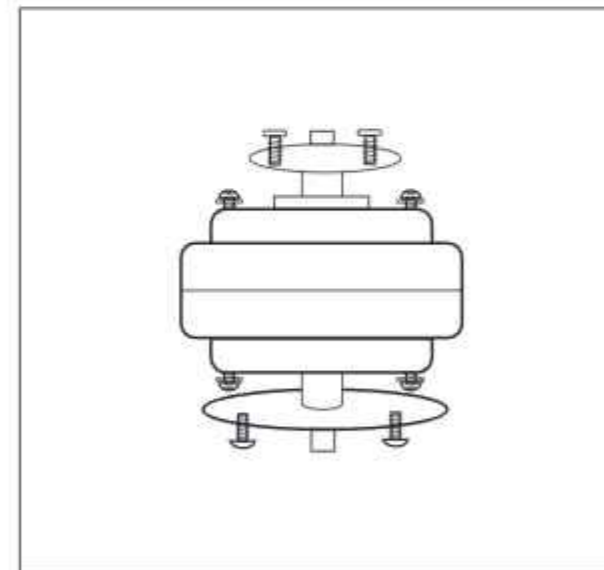


1. Drill holes with electric drill (98 mm).
2. Use expansion screws to fix the mounting bracket to the ceiling

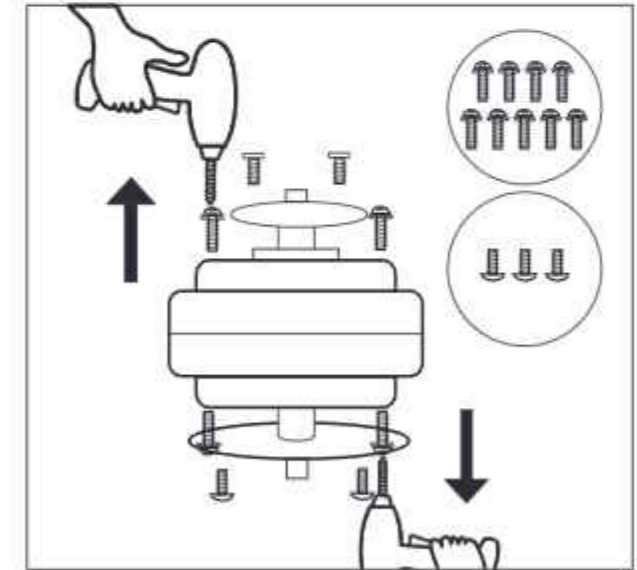


Fasten the mounting bracket to the ceiling with self-tapping screws.

Step2: Fan Blade Installation



1. Prepare the motor



2. Loosen the screws on the motor with an electric drill

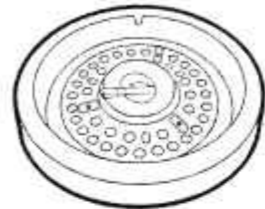
Note: It is necessary to align the notch and strip hole on the disc when loosening the screw



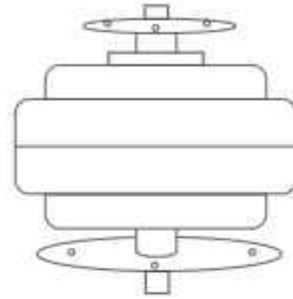
Ceiling plate*1



Motor housing*1



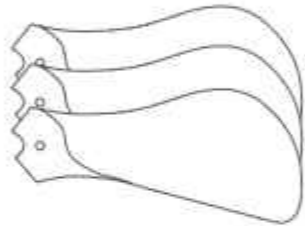
LED Board*1



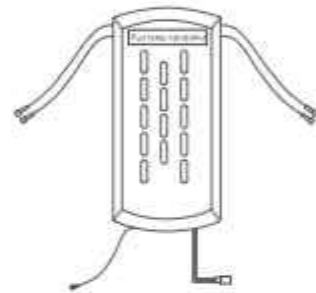
Motor*1



Light Cover*1



Fan Blade*3



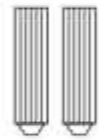
Receiver+Power cord*1



Remote Control*1



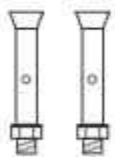
Remote Control Bracket*1



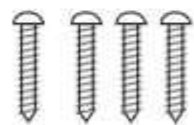
Aircraft Cap*2



Remote Bracket Screw*2



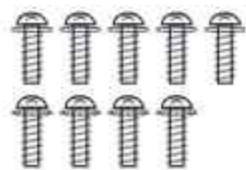
Expansion Bolt*2



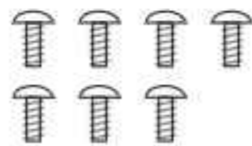
Self-tapping Screw*4



Wire Caps Screw Terminals*3



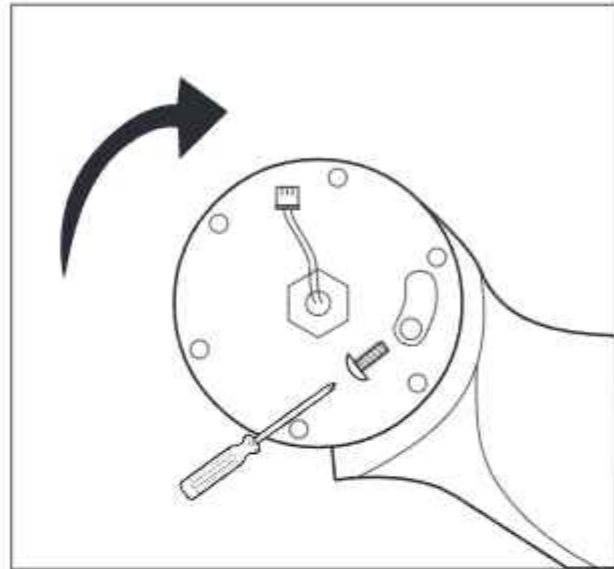
Blade Screw*9



Lamp panel housing screws*7

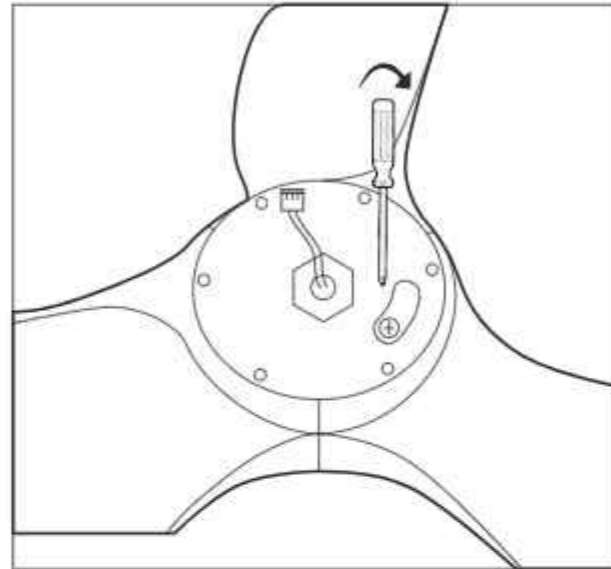


Top cover screw * 4

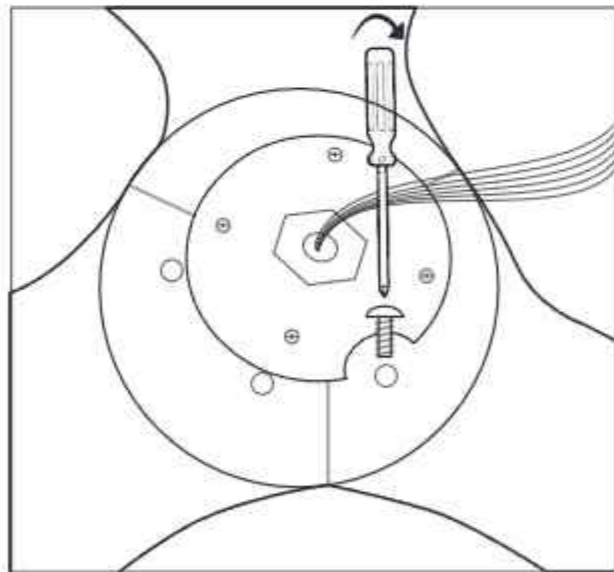


3. Clamp the fan blade under the disc to wrap the motor, Fix the fan blade on the motor with screws

Note: The fan blade shall be aligned with the "center" of the screw hole group. Do not lock the screws when installing the fan blades, Tighten all screws after the fan blade is installed.

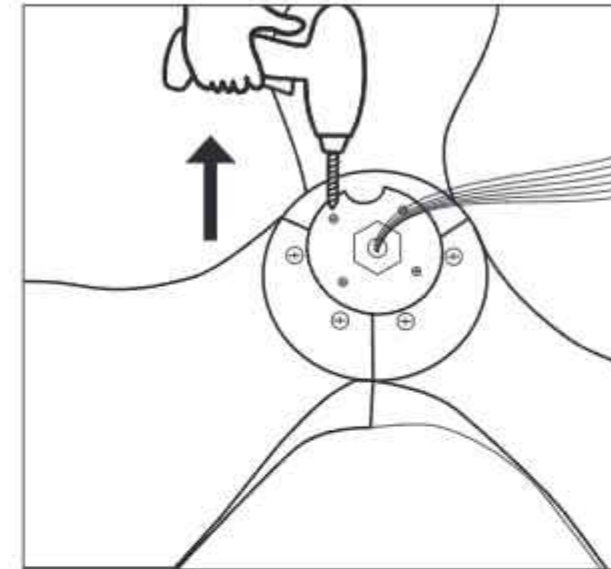


4. Do not lock the screws after they are installed, Install the upper 6 screws in reverse

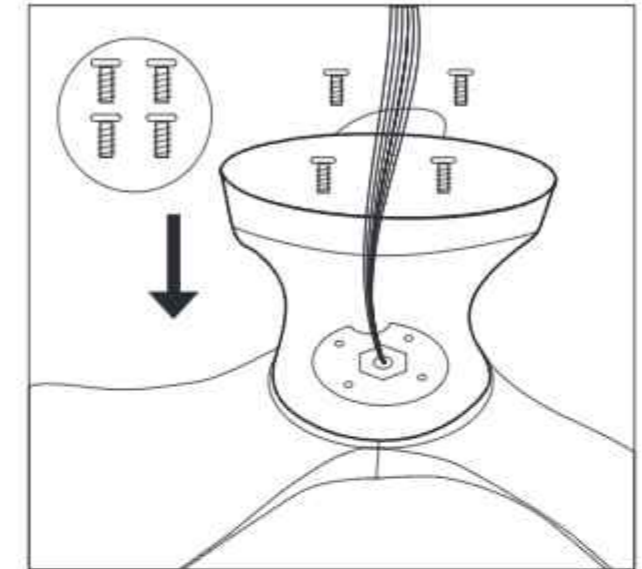


5. Align the center of the screw hole through the notch, and tighten all screws after installation

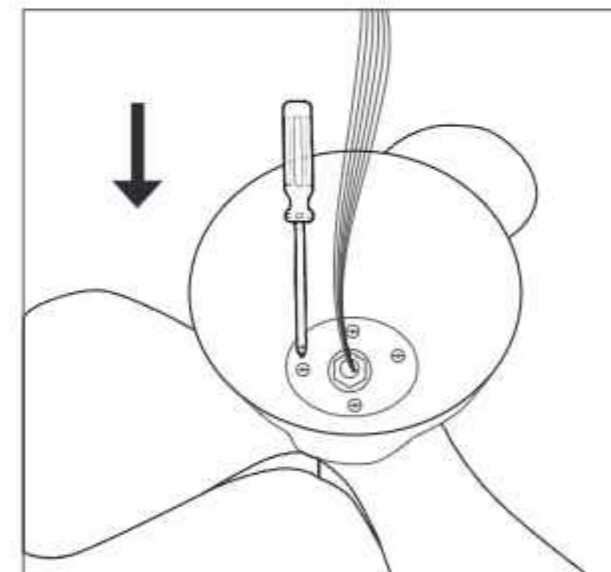
Step3: Install the housing



1. Use an electric drill to loosen the screws of the disc on the motor



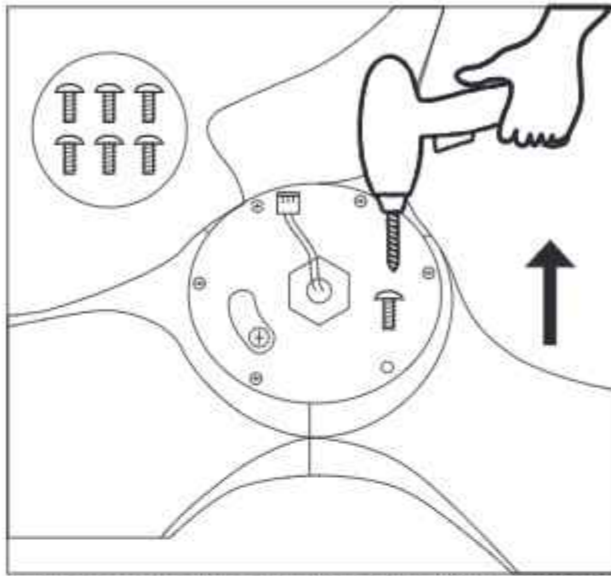
2. Pass the motor wire through the housing and align the housing with the screw hole on the disc



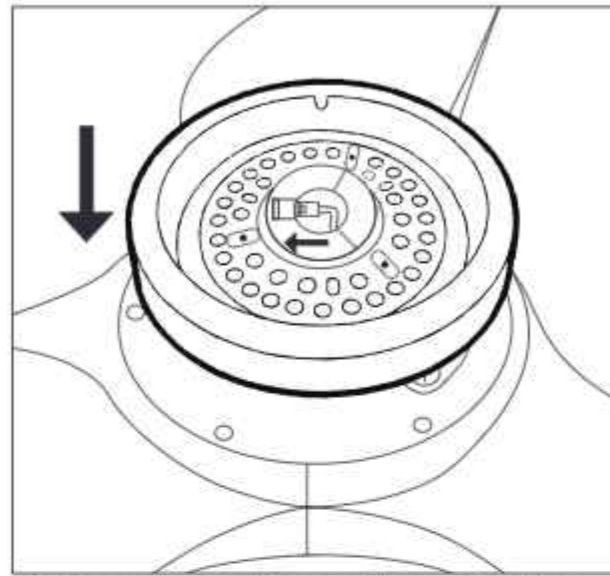
3. Install the screws on the disc into the corresponding holes



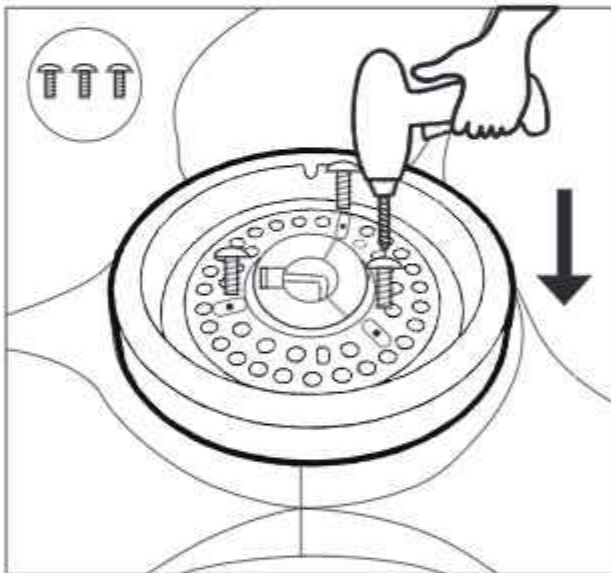
Step 4: Install the LED board



1. Use an electric drill to loosen the screw of the disc on the motor



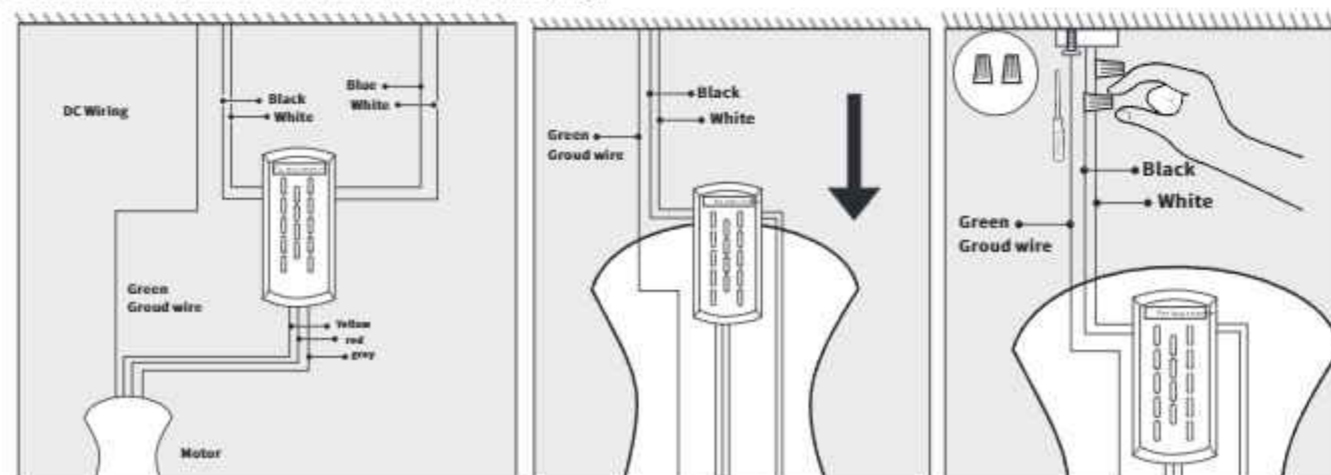
2. Connect motor line and lamp panel line



3. Install the screws on the disc into the corresponding holes

Step 5: Wiring Instruction

▲ Shut off the power to the fuse box or circuit breaker before wiring.

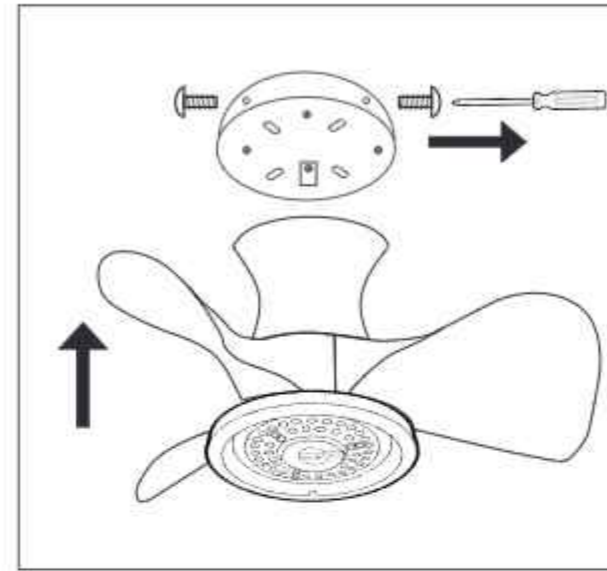


1 The receiver is connected to the motor power cord and the ceiling power cord respectively.

2 Put the receiver into the mounting bracket.

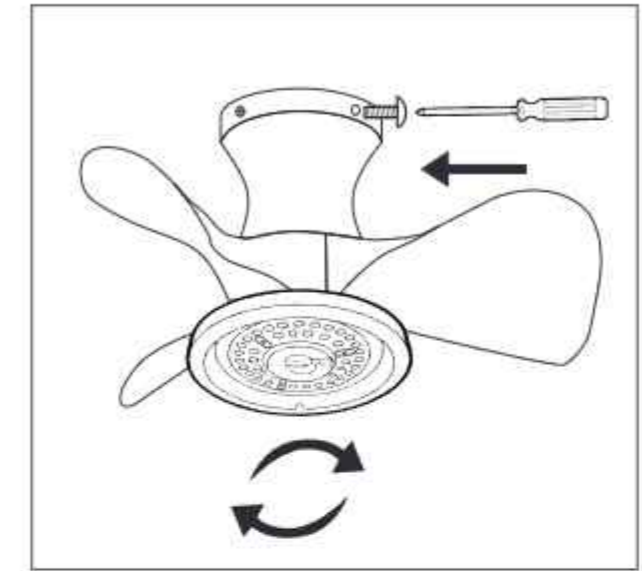
3 Grounding main line and ground wire.

Step 6: Suspend the fan



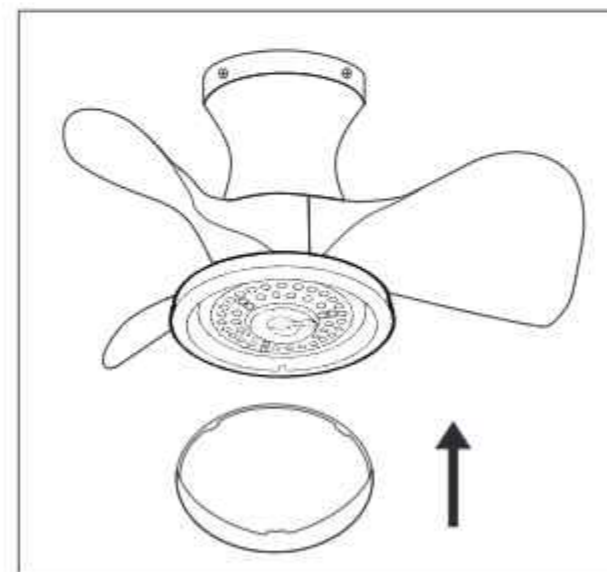
1. Screw out two screws to install the fan. Align the screws on the ceiling plate.

Note: Do not lock the screws when installing the fan, Tighten all screws after the fan is installed.

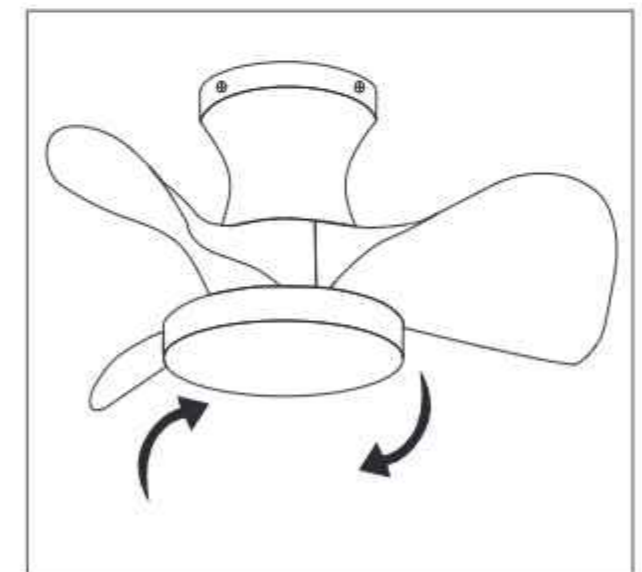


2. Twist the fan to expose the screw hole and tighten it with the screw on the ceiling plate

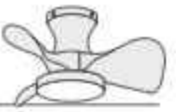
Step 7: Install the lamp cover



1. Place the lamp cover onto the LED board

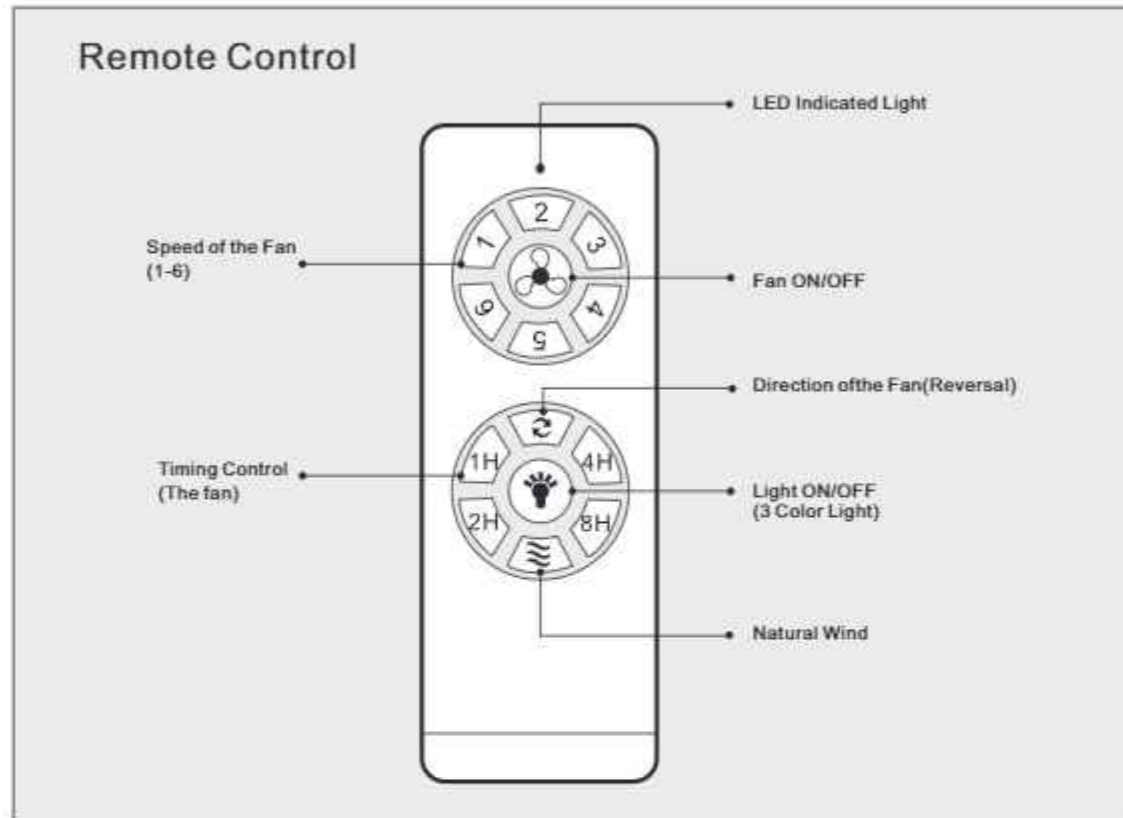


2. Rotate forward to tighten the lamp cover



OPERATION INSTRUCTION

Control Method



Note: Sensing Distance: 33 ft - 49 ft (10 m - 15 m) Direction of the fan / Reverse Switch

Code Matching of Remote Controller:

1. Turn on the power and press the "FAN ON/ OFF" button on the remote controller for 5 seconds.
2. After hearing the buzzer for a long time, the pairing is successful
3. Please complete pairing within 30 seconds after powering on.

3 Color Light:

By quickly clicking it, you'll notice the color change. 3 different settings. (6000K/3000K/4500K)

Memory Function:

Select the temperature to be memorized, and turn off the light for more than 15s. The next time you turn on the light, it will be the color the last time you turned it off.

Forward:

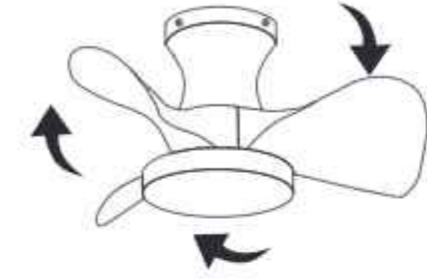
Summer fan positive rotation, enhanced cold air flow.strong wind.

Reversal:

The fan reverses in winter, it reduces the temperature difference between cold and warm, circulates the warm air.



Summer(Forward):
A downward airflow creates a cooling effect.



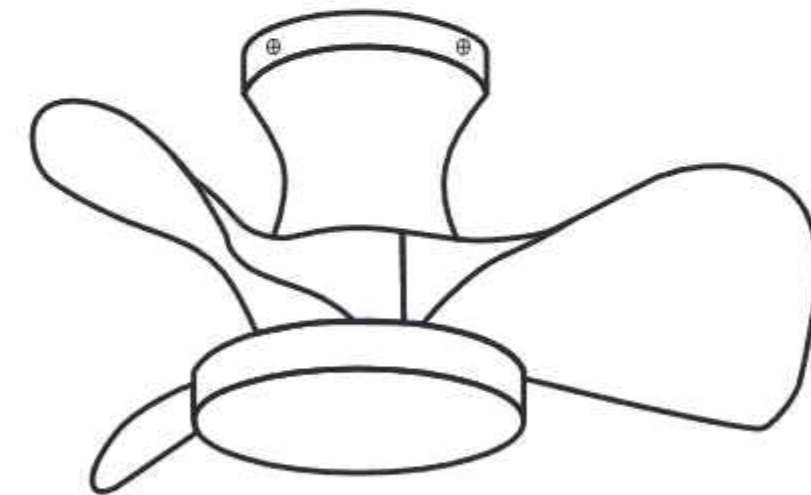
Winter (Reverse):
An upward airflow increases the indoor temperature.

PS: If you want to change the fan's rotation direction, please press the button while the fan is running.

Timing Control

- 1H: The fan will automatically shut off after 1 hour.
- 2H: The fan will automatically shut off after 2 hours.
- 4H: The fan will automatically shut off after 4 hours.
- 8H: The fan will automatically shut off after 8 hours.

SPECIFICATIONS



Product Name	Ceiling Fan	Gross Weight	3.6KG
Rated Voltage	110V-120V	lampshade size	Φ195 mm
Motor Power	24W	Motor Spec	H195mm
control method	Remote Control	Overall height	245mm (with 5" rod)
Lamp configuration	15W LED	Fan blade	3 solid wood fan blades