

KICHLER®

52" Starkk™ LED

Product images may vary slightly from actual product.



INSTRUCTION MANUAL

TABLE OF CONTENTS

SAFETY RULES	4	ATTACHING THE FAN BLADES.....	13
TOOLS AND MATERIALS REQUIRED.....	5	INSTALLING THE LIGHT PLATE	13
PACKAGE CONTENTS	5	INSTALLING THE LED LIGHT KIT AND GLASS SHADE.....	14
MOUNTING OPTIONS.....	6	OPERATING INSTRUCTIONS.....	15
HANGING THE FAN.....	7	TROUBLESHOOTING	16
INSTALLATION OF SAFETY SUPPORT	10	SPECIFICATIONS.....	17
ELECTRICAL CONNECTIONS	11	FCC WARNING.....	17
FINISHING THE INSTALLATION.....	12		

SAFETY RULES

1. To reduce the risk of electric shock, ensure electricity has been turned off at the circuit breaker or fuse box before beginning.
2. All wiring must be in accordance with the National Electrical Code (NEC) and local electrical codes. Electrical installation should be performed by a qualified licensed electrician
3. **WARNING:** Suitable for use with solid-state speed controls.
4. **WARNING:** To reduce the risk of personal injury, use only the two steel screws (and lock washers) provided with the outlet box for mounting to the outlet box. Most outlet boxes commonly used for the support of lighting fixtures are not acceptable for fan support and may need to be replaced, consult a qualified electrician if in doubt.
9. To avoid personal injury or damage to the fan and other items, be cautious when working around or cleaning the fan.
10. Do not use water or detergents when cleaning the fan or fan blades. A dry dust cloth or lightly dampened cloth will be suitable for most cleaning.
11. After making electrical connections, spliced conductors should be turned upward and pushed carefully up into outlet box. The wires should be spread apart with the grounded conductor and the equipment-grounding conductor on one side of the outlet box.
12. Electrical diagrams are reference only. Light kits that are not packed with the fan must be Listed and marked "suitable for use" with the model fan you are installing. Switches must be General Use Switches. Refer to the Instructions packaged with the light kits and switches for proper assembly.

WARNING

TO REDUCE THE RISK OF FIRE, ELECTRIC SHOCK OR PERSONAL INJURY, MOUNT FAN TO OUTLET BOX MARKED "ACCEPTABLE FOR FAN SUPPORT".

5. The outlet box and support structure must be securely mounted and capable of supporting a minimum of 50 pounds. Use only UL (cUL for Canadian Installation) Listed outlet boxes marked "FOR FAN SUPPORT".
6. The fan must be mounted with a minimum of 7 feet clearance from the trailing edge of the blades to the floor.
7. Do not operate reversing switch while fan blades are in motion. Fan must be turned off and blades stopped before reversing blade direction.
8. Avoid placing objects in the path of the blades.

WARNING

TO REDUCE THE RISK OF PERSONAL INJURY, DO NOT BEND THE BLADE BRACKETS (ALSO REFERRED TO AS FLANGES) DURING ASSEMBLY OR AFTER INSTALLATION. DO NOT INSERT OBJECTS IN THE PATH OF THE BLADES.

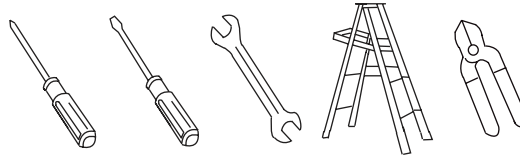
SPECIAL NOTICE

This appliance is equipped with a "Wattage Limiting Device" required by the United States Department of Energy. The device has been installed at the factory and can not be removed.

Installing Lamps in excess of 190 total watts will disable the unit's light fixture. If this should happen, you will need to reset the lighting fixture by turning the power off to the ceiling fan and/or light fixture, reinstalling lamps totaling less than 190 watts and then turning the power back on.

TOOLS AND MATERIALS REQUIRED

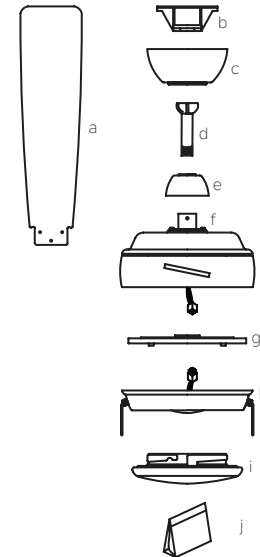
- Phillips screwdriver
- Blade screwdriver
- 11 mm wrench
- Step ladder
- Wire cutters



PACKAGE CONTENTS

Unpack your fan and check the contents . You should have the following items:

- A. Fan blades (5)
- B. Ceiling mounting bracket
- C. Canopy
- D. Ball/downrod assembly
- E. Coupling cover
- F. Fan motor assembly
- G. Light plate
- H. 16W LED light kit/switch housing
- I. Glass Shade
- J. Package hardware
 - 1) Mounting hardware :
star washers (2), wire nuts (3),
machine screws (2), washers (2),
screws (2)
 - 2) Blade attachment hardware :
screws (17), fiber washers (17)
 - 3) Blade bracket attachment hardware:
screws (2)
 - 4) Safety cable hardware :
Wood screw , lock washer, flat washer
 - 5) Pull chains and fobs (2)
 - 6) Balance kit



MOUNTING OPTIONS

If there isn't an existing UL (cUL for Canadian Installation) listed mounting box, then read the following instructions. Disconnect the power by removing fuses or turning off circuit breakers.

Secure the outlet box directly to the building structure. Use appropriate fasteners and building materials. The outlet box and its support must be able to fully support the moving weight of the fan (at least 50 lbs). Do not use plastic outlet boxes.

Figures 1, 2 and 3 are examples of different ways to mount the outlet box.

NOTE: If you are installing the ceiling fan on a sloped (vaulted) ceiling, you may need a longer downrod to maintain proper clearance between the tip of the blade and the ceiling. A minimum clearance of 12" is suggested for optimal operation.

NOTE: Depending on the location you have selected for installation, you may need to purchase and install a "Joist Hanger" for the support of the outlet box. Make sure the joist hanger you purchase has been designed for use with ceiling fans. (Fig. 4)

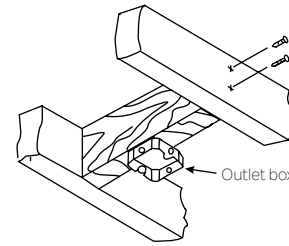


Fig. 1

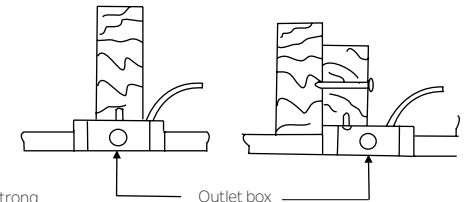


Fig. 2

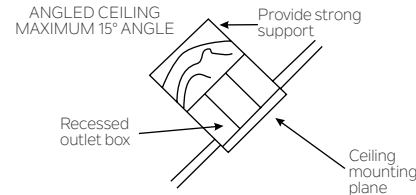


Fig. 3

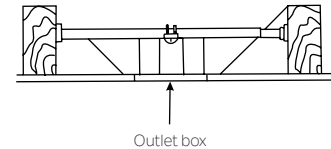


Fig. 4

HANGING THE FAN

REMEMBER to turn off the power before you begin. To properly install your ceiling fan, follow the steps below.

Step 1. Remove the decorative canopy bottom cover from the canopy by turning the cover counter clockwise. (Fig. 5)

Step 2. Remove the ceiling mounting bracket from the canopy by removing (and save) one of the two screws. Loosen the remaining screw by a half turn. (Fig. 5)

Step 3. Pass the 120 volt supply wires from the ceiling outlet box through the center of the ceiling mounting bracket. (Fig.6)

Step 4. Attach the ceiling mounting bracket to the outlet box using the screws and washers included with the outlet box. (Fig. 6)

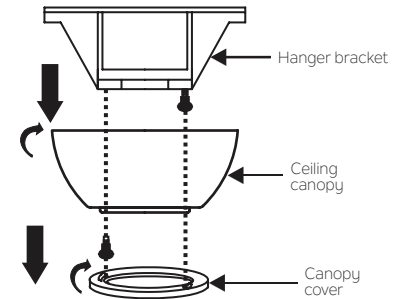


Fig. 5

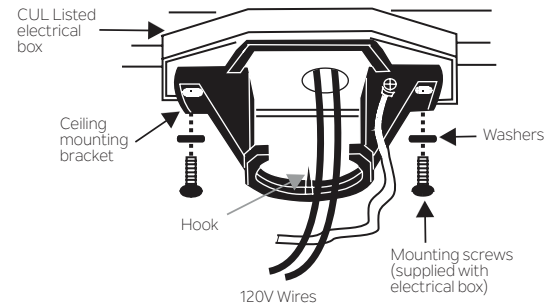


Fig. 6

HANGING THE FAN

Step 5. Remove the hanger ball from the downrod assembly by loosening the set screw, unscrewing and removing the cross pin and unscrewing the ball off the rod. (Fig.7)

Step 6. Loosen the two set screws and remove the hitch pin and retaining clip from the coupling on top of the motor assembly. (Fig. 8)

Step 7. Carefully feed the electrical lead wires from the fan up through the downrod. Thread the downrod into the coupling until the hitch pin holes are aligned.

Next, replace the hitch pin and retaining clip. Tighten both set screws. (Fig. 8)

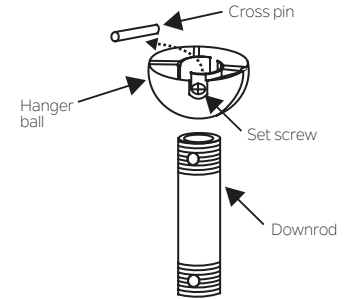


Fig. 7

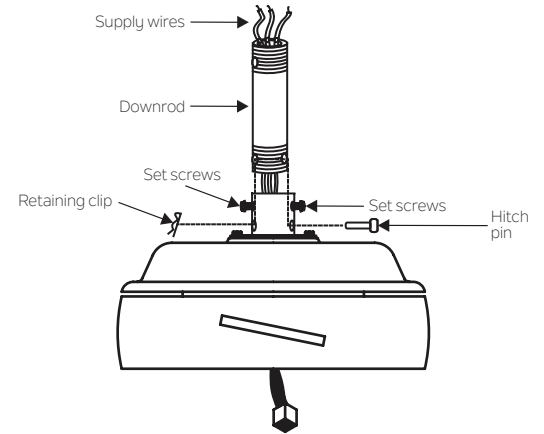


Fig. 8

HANGING THE FAN

Step 8. Slip the coupling cover, canopy cover and canopy onto the downrod.

Thread the hanger ball onto the downrod, insert the cross pin through the downrod and tighten. Tighten the set screw. (Fig. 9)

Step 9. Lift the motor assembly into position and place the hanger ball into the ceiling mounting bracket.

Rotate the entire assembly until the “Check Tab” has dropped into the “Registration Slot” and seats firmly. (Fig. 10)

The entire motor assembly should not rotate (left or right) when seated properly.

WARNING: Failure to reattach the cross pin and seat the “Check Tab” can cause the fan to fall from the ceiling during operation. Take special care to make sure this pin is reattached.

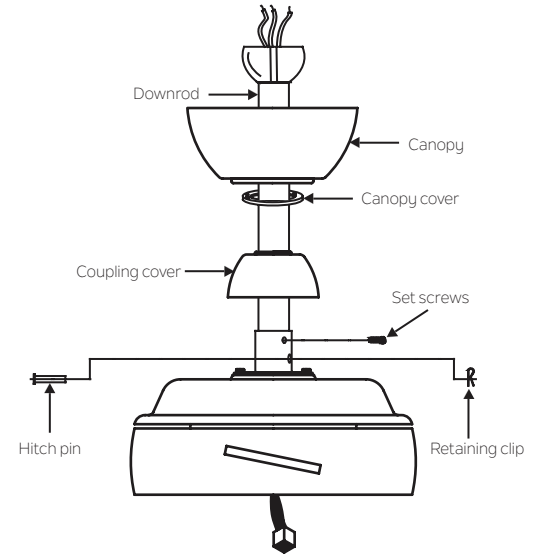


Fig. 9

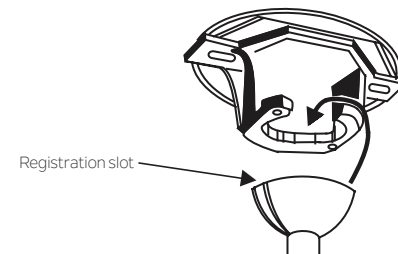


Fig. 10

INSTALLATION OF SAFETY SUPPORT (Required for Canadian installation ONLY)

A safety support cable is provided to help prevent the ceiling fan from falling.

Step 1. Attach the provided wood screw and washers to the ceiling joist next to the mounting bracket but do not tighten. (Fig. 11)

Step 2. Adjust the length of the safety cable to reach the screw and washers by pulling the extra cable through the cable clamp until the overall length is correct. Put the end of the cable back through the cable clamp, forming a loop at the end of the cable. Tighten the cable clamp securely. Put the loop in the end of the safety cable over the wood screw and under the washer. Tighten the wood screw securely.

NOTE: Although the safety support cable is required for Canadian installations only, it's a good idea to make the attachment with any installation.

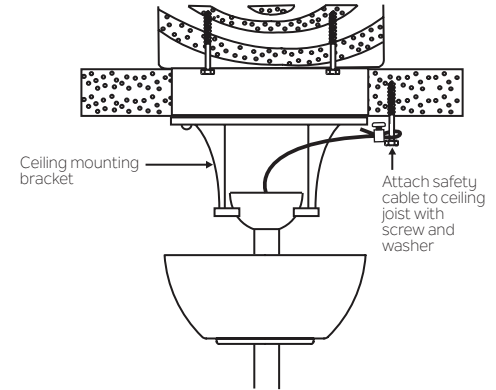


Fig. 11

ELECTRIC CONNECTIONS

WARNING: To avoid possible electrical shock, be sure you have turned off the power at the main circuit panel.

Follow the steps below to connect the fan to your household wiring. Use the wire connecting nuts supplied with your fan. Secure the connector with electrical tape. Make sure there are no loose wire stands or connections.

Step 1. Connect the fan supply (black) wire and light supply (blue) wire to the black household supply wire as shown in Figure 12.

Step 2. Connect the neutral fan (white) wire to the neutral household (white) wire.

Step 3. Connect the fan ground wire (green) to the household ground wire.

Step 4. After connecting the wires, spread them apart so that the green and white wires are on one side of the outlet box and black wires are on the other side.

Step 5. Turn the connecting nuts upward and push the wiring into the outlet box.

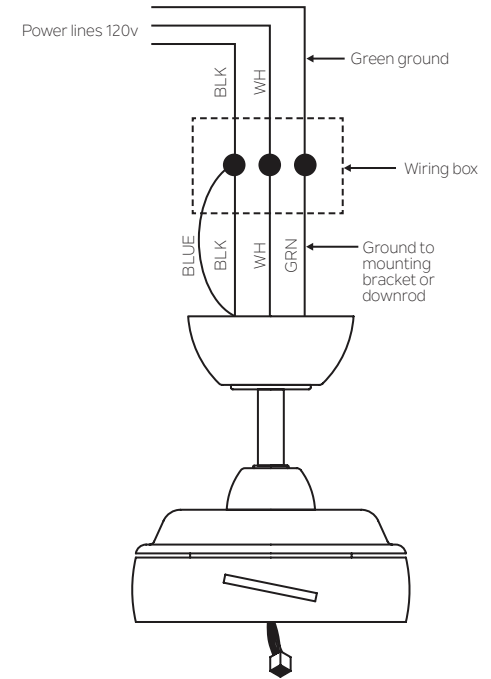


Fig. 12

FINISHING THE INSTALLATION

Step 1. Tuck all the connections neatly into the ceiling outlet box.

Step 2. Slide the canopy up to the mounting bracket and place one of the key hole slots over the mounting screw on the mounting bracket. Rotate the canopy until the screw head locks in place at the narrow section of the key hole. See figure 13.

Step 3. Align the remaining circular holes on the canopy with the remaining holes on the Ceiling Mounting Bracket. Insert and tighten the mounting screw you removed earlier and the mounting screw from Step 2 above. Attach the canopy cover to the mounting screw heads by inserting the screw heads into the bottom side of the canopy cover and rotating the cover clockwise.

NOTE: Adjust the canopy screws as necessary until the canopy and canopy cover are snug. (Fig. 13)

Warning: Make sure the “Check Tab” at the bottom of the hanger bracket is properly seated in the “Registration Slot” on the side of the hanger ball before attaching the canopy to the bracket. Failure to properly seat the “Check Tab” could damage the electrical wires when the ceiling fan blade direction is changed while the fan is running.

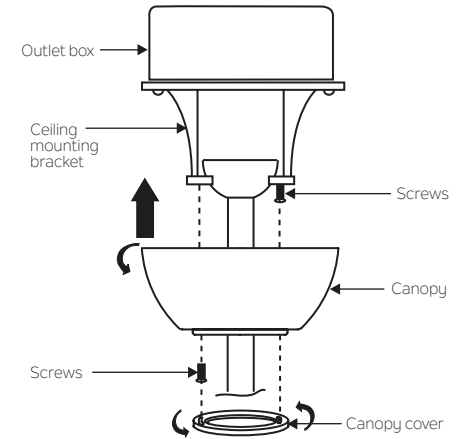


Fig. 13

ATTACHING THE FAN BLADES

Insert the blade through the blade slot in the motor housing. Align the holes in blade and blade bracket, making sure the holes are also aligned; secure with the screws and fiber washers provided. Repeat process with other blades. (Fig. 14)

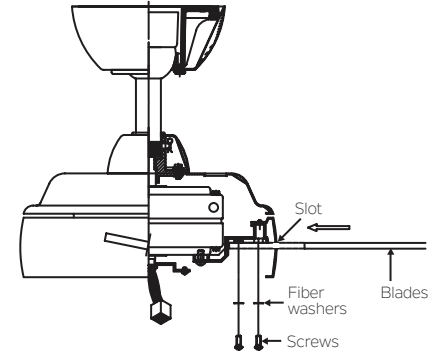


Fig. 14

INSTALLING THE LIGHT PLATE

Step 1. Loosen the two screws on the mounting ring attached to the motor shaft and “remove” and save the third screw. (Fig. 15)

Step 2. Place the key hole slots on the light plate over the two screws previously loosened on the mounting ring.

Turn the light plate until it locks in place at the narrow section of the key hole slots.

Tighten both key hole screws and replace the third screw previously removed and tighten securely.

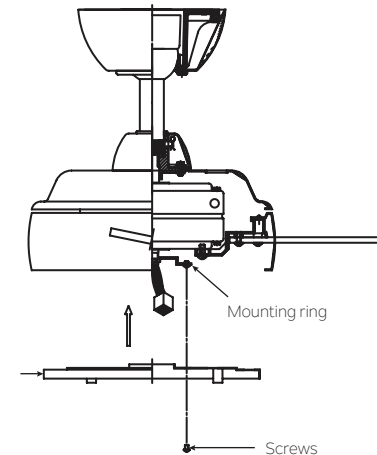


Fig. 15

INSTALLING THE LED LIGHT KIT AND GLASS SHADE

Step 1. Loosen the three mounting screws on the inside of the 16W LED light kit/switch housing. (Fig.16)

Step 2. While holding the switch housing under your ceiling fan, push the square wire connectors together, one from the fan and one from the switch housing.

Step 3. Tuck the connections neatly into the light plate. Place the key holes on the 16W LED light kit/switch housing over the 2 screws previously loosened from the light plate, turn the 16W LED light kit/switch housing until it locks in place at the narrow section of the key holes. Secure by tightening all three screws. (Fig.16)

Step 4. Raise the glass shade against the 16W LED light kit/switch housing and turn clockwise until snug. DO NOT OVERTIGHTEN. (Fig. 16)

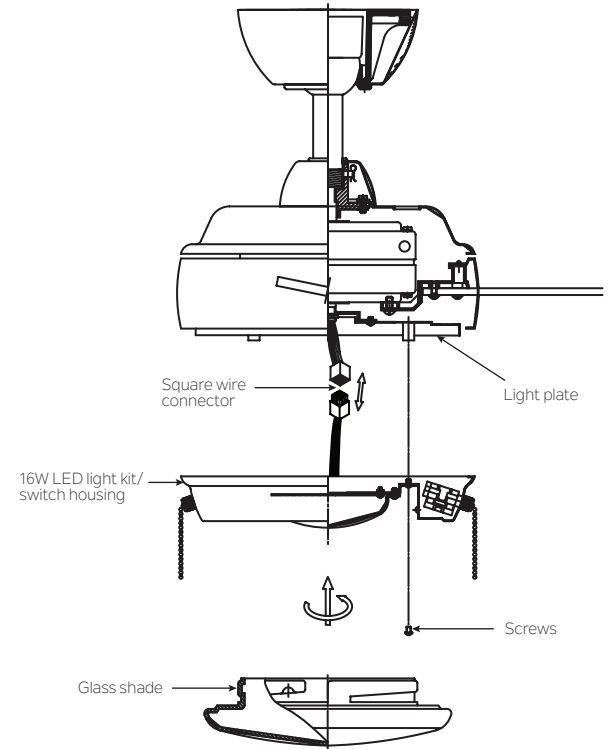


Fig. 16

OPERATING INSTRUCTIONS

Turn the power on and check the operation of your ceiling fan.

The pull chain controls the 3 speeds of your ceiling fan.

1 pull = High, 2 pulls = Medium, 3 pulls = Low and the 4th pull turns the motor off.

The Black Slide Switch on the side of the switch housing controls the direction of the blades "Forward and Reverse".

Warm Weather Operation: Forward (counter clockwise) A downward airflow creates a cooling effect as shown in Fig. 17. This allows you to set your air conditioner on a warmer setting without affecting your general comfort.

Cool Weather Operation: Reverse (clockwise). An upward airflow moves warm air off the ceiling areas as shown in Fig. 18. This allows you to set your heating unit on a cooler setting without affecting your general comfort.

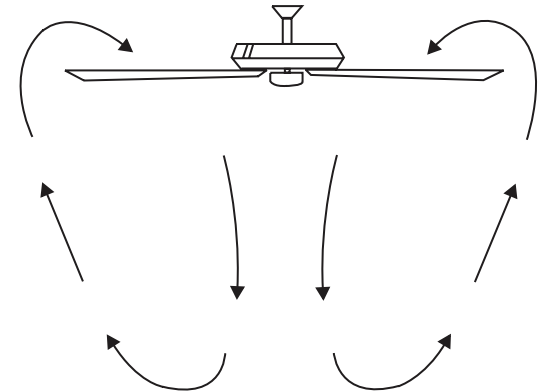


Fig. 17

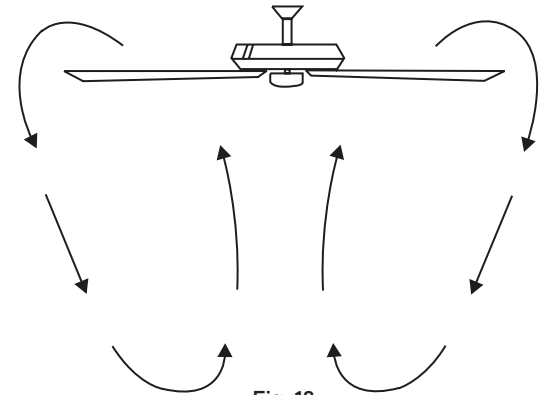


Fig. 18

TROUBLESHOOING

Problem

Solution

Fan will not start.

1. Check circuit fuses or breakers.
2. Check all electrical connections to ensure proper contact. **CAUTION:** Make sure the main power is OFF when checking any electrical connection.

Fan sounds noisy.

1. Make sure all motor housing screws are snug.
2. Make sure the screws that attach the fan blade brackets to the motor are tight.
3. Make sure wire nut connections are not rubbing against each other or the interior wall of the switch housing. **CAUTION:** Make sure main power is OFF.
4. Allow a 24-hour “breaking-in” period. Most noise associated with a new fan disappear during this time.
5. If using an optional light kit, make sure the screws securing the glassware are tight. Make sure the light bulbs are not touching any other component.
6. Some fan motors are sensitive to signals from solid-state variable speed controls. If you have installed this type of control, choose and install another type of control.
7. Make sure the upper canopy is a short distance from the ceiling. It should not touch the ceiling.

Fan wobble.

1. Check that all blade and blade arm screws are secure.
2. Most fan wobbling problems are caused when blade levels are unequal. Check this level by selecting a point on the ceiling above the tip of one of the blades. Measure this distance. Rotate the fan until the next blade is positioned for measurement. Repeat for each blade. The distance deviation should be equal within 1/8”.
3. Use the enclosed Blade Balancing Kit if the blade wobble is still noticeable.
4. If the blade wobble is still noticeable, interchanging two adjacent (side by side) blades can redistribute the weight and possibly result in smoother operation.

WARNING: TO REDUCE THE RISK OF PERSONAL INJURY AND TO ENSURE THE PROPER OPERATION OF YOUR CEILING FAN. NEVER ATTACH THE BLADE ASSEMBLIES UNTIL THE CEILING FAN HAS BEEN MOUNTED ON THE CEILING. DO NOT BEND THE BLADE ARMS WHILE INSTALLING, BALANCING OR CLEANING THE FAN. DO NOT INSERT FOREIGN OBJECTS BETWEEN ROTATING FAN BLADES.

SPECIFICATIONS

Fan Size	Speed	Volts	Amps	Watts	RPM	CFM	CFM/W	N.W.	G.W.	C.F.
52"	High	120	0.44	52.50	161	4289.90	82	11 kgs	12 kgs	1.92'
	Medium	120	0.31	5.30	111	2931.69	116			
	Low	120	0.18	8.40	59	1545.35	184			

These are approximate measurements. They do not include data for any lamps or fixtures attached to the ceiling fan.

FCC WARNING

This device complies with part 15 of the FCC Rules. Operation is subject to the following two conditions:

(1) This device may not cause harmful interference, and (2) this device must accept any interference received, including interference that may cause undesired operation.

Changes or modifications not expressly approved by the party responsible for compliance could void the user's authority to operate the equipment.

NOTE: This equipment has been tested and found to comply with the limits for a Class B digital device, pursuant to part 15 of the FCC Rules. These limits are designed to provide reasonable protection against harmful interference in a residential installation. This equipment generates, uses and can radiate radio frequency energy and, if not installed and used in accordance with the instructions, may cause harmful interference to radio communications. However, there is no guarantee that interference will not occur in a particular installation. If this equipment does cause harmful interference to radio or television reception, which can be determined by turning the equipment off and on, the user is encouraged to try to correct the interference by one or more of the following measures:

Reorient or relocate the receiving antenna, increase the separation between the equipment and receiver, and connect the equipment into an outlet on a circuit different from that to which the fan is connected.

KICHLER®

KICHLER® LIGHTING

7711 EAST PLEASANT VALLEY ROAD P.O. BOX 318010

CLEVELAND, OHIO 44131-8010

CUSTOMER SERVICE 866.558.5706

8:30 AM TO 5:00 PM EST, MONDAY - FRIDAY

KICHLER®

LED Starkk^{MC} 52 po

Le produit peut différer légèrement des illustrations.



MANUEL D'INSTRUCTIONS

TABLE DES MATIÈRES

CONSIGNES DE SÉCURITÉ	4	FIXER LES PALES DU VENTILATEUR	13
OUTILLAGE ET MATERIAUX REQUIS.....	5	INSTALLATION DE LA PLAQUE D'ÉCLAIRAGE	13
CONTENU DE L'EMBALLAGE.....	5	INSTALLATION DU KIT D'ÉCLAIRAGE À LED ET DU VERRE.....	14
OPTIONS DE MONTAGE	6	INSTRUCTIONS D'UTILISATION	15
SUSPENDRE LE VENTILATEUR	7	DÉPANNAGE	16
INSTALLATION DU SUPPORT DE SÉCURITÉ	10	SPÉCIFICATIONS.....	17
CONNEXIONS ÉLECTRIQUES	11	AVERTISSEMENT DE LA FCC.....	17
FINITION DE L'INSTALLATION.....	12		

CONSIGNES DE SÉCURITÉ

1. Pour réduire le risque d'électrocution, assurez-vous que l'électricité a été coupée au niveau du disjoncteur ou de la boîte à fusibles avant de commencer.
2. Le câblage doit être installé conformément au code national d'électricité américain (NEC) et aux codes locaux. Les travaux d'électricité doivent être exécutés par un électricien agréé qualifié.
3. **AVERTISSEMENT** : Convient pour une utilisation avec des contrôles de vitesse à semi-conducteurs.
4. **AVERTISSEMENT** : Pour réduire le risque de blessures, utiliser uniquement les deux vis en acier et rondelles de blocage fournies avec la boîte à prises. Pour le montage sur la boîte à prises. La plupart des boîtes à prises utilisés actuellement pour supporter les luminaires ne sont pas capable de supporter un ventilateur et leur remplacement peut s'avérer nécessaire; consulter un électricien qualifié en cas de doute.
9. Pour éviter des blessures ou des dommages au ventilateur et autres objets, prendre toutes les précautions nécessaires lors de travaux effectués près du ventilateur ou lors du nettoyage du ventilateur.
10. Ne pas utiliser d'eau ni de détergents pour nettoyer le ventilateur ou les pales du ventilateur. Utiliser un chiffon à poussière sec ou légèrement imbibé pour effectuer la majeure partie du nettoyage.
11. Après avoir effectué les connexions électriques, les conducteurs épissés doivent être tournés vers le haut et soigneusement rentrés dans la boîte à prises. Les fils doivent être écartés avec le conducteur de la mis à la terre et le conducteur de mise à la terre de l'équipement se trouvant sur un côté de la boîte à prises.
12. Les schémas électriques sont indiqués à titre de référence uniquement. Les kits d'éclairage qui ne sont pas emballés avec le ventilateur doivent être homologués et marqués « compatible pour une utilisation » avec le modèle de ventilateur à installer. Les commutateurs doivent être pour une utilisation d'ordre général. Reportez-vous aux instructions fournies avec les kits d'éclairage et les interrupteurs pour garantir un assemblage correct.

AVERTISSEMENT

POUR RÉDUIRE LE RISQUE DE BLESSURES, NE PAS PLIER LES SUPPORTS DE PALES (APPELÉS ÉGALEMENT BRIDES) LORS DU MONTAGE OU APRÈS L'INSTALLATION NE PAS PLACER D'OBJETS DANS LA TRAJECTOIRE DES PALES.

5. La boîte à prises et la structure de support doivent être solidement fixées et capables de supporter de manière fiable un minimum de 23 kg. Utiliser uniquement des boîtes à prises homologuées cUL (UL pour les États-Unis) et marquées « POUR SUPPORT DE VENTILATEUR ».
6. Le ventilateur doit être installé à une distance de 2,15 m minimum du bord de fuite des pales par rapport au sol.
7. Ne pas actionner l'inverseur lorsque les pales du ventilateur sont en mouvement. Le ventilateur doit être éteint et les lames arrêtées avant d'inverser le sens de la pale.
8. Éviter de placer des objets dans la trajectoire des pales.

AVERTISSEMENT

POUR RÉDUIRE LES RISQUES D'INCENDIE, CHOCS ÉLECTRIQUES OU BLESSURES, INSTALLER LE VENTILATEUR SUR LA BOÎTE À PRISES MARQUÉE « CAPABLE DE SUPPORTER UN VENTILATEUR »

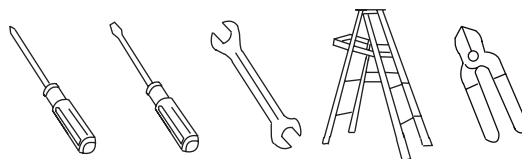
AVIS SPÉCIAL

Cet appareil est équipé d'un dispositif de limitation de puissance requis par le Département de l'énergie des États-Unis. Le dispositif a été installé à l'usine et ne peut pas être enlevé.

L'installation de lampes totalisant plus de 190 watts désactivera le luminaire de l'unité. Si cela se devait se produire, il faut réinitialiser le luminaire en mettant le ventilateur de plafond et/ou le luminaire hors tension, réinstallant des lampes totalisant moins de 190 watts, puis remettre le ventilateur sous tension.

OUTILLAGE ET MATERIAUX REQUIS

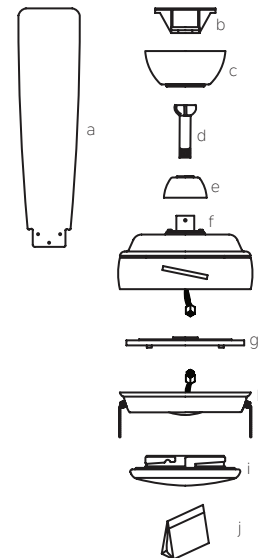
- Tournevis Philips
- Tournevis standard
- Clé de 11 mm
- Marche-pieds
- Pincés coupantes



CONTENU DE L'EMBALLAGE

Déballez votre ventilateur et vérifiez le contenu. Vous devriez disposer des éléments suivants :

- A. Pales de ventilateur (5)
- B. Support de montage au plafond
- C. Monture
- D. Ensemble boule/tige de suspension
- E. Capot de l'accouplement
- F. Groupe moteur ventilateur
- G. Plaque éclairage
- H. 16W Kit d'éclairage LED/Boîtier de l'interrupteur
- I. Cache en verre
- J. Contenu du sac de pièces
 - 1) Matériel de montage : rondelles éventail (2), serre-fils (3), vis à métaux (2), rondelles (2), vis (2)
 - 2) Matériel de montage des pales : vis (17), rondelles en fibres (17)
 - 3) Matériel de montage pour support des pales : vis (2)
 - 4) Matériel pour câble de sécurité : vis à bois, rondelle de blocage, rondelle plate
 - 5) Chaînes de tirage et breloques (2)
 - 6) Kit d'équilibrage



OPTIONS DE MONTAGE

En l'absence d'une boîte de montage homologuée cUL (UL pour les États-Unis), prendre connaissance des instructions suivantes. Couper le courant en retirant les fusibles ou en déclenchant le disjoncteur.

Fixer la boîte à prises directement sur la structure du bâtiment. Utiliser des attaches et des matériaux de construction appropriés. La boîte à prises et son support doivent être en mesure de soutenir le poids du ventilateur en mouvement (au moins 22 kg). Ne pas utiliser de boîtes à prises en plastique.

Les figures 1, 2 et 3 sont des exemples de différentes façons de monter boîte à prises.

REMARQUE : Si vous installez le ventilateur de plafond sur un plafond voûté, vous pouvez avoir besoin d'une tige de suspension plus longue pour maintenir un dégagement approprié entre la pointe de la pale et le plafond. Il est recommandé de laisser un espace de 30 cm minimum pour un fonctionnement optimal.

REMARQUE : Selon l'emplacement sélectionné pour l'installation, il peut s'avérer nécessaire d'acheter et d'installer un étrier à solive pour soutenir la boîte à prises. S'assurer que l'étrier à solive a été conçu pour une utilisation avec des ventilateurs de plafond. (Fig. 4)

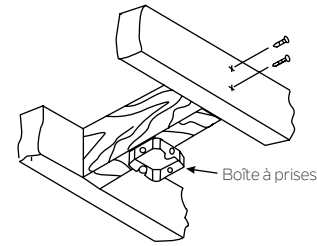


Fig. 1

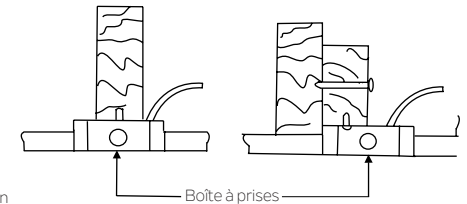


Fig. 2

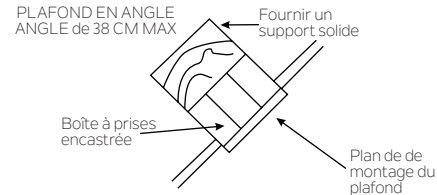


Fig. 3

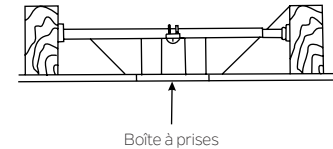


Fig. 4

SUSPENDRE LE VENTILATEUR

TOUJOURS couper l'alimentation avant de commencer les travaux. Pour installer correctement votre ventilateur de plafond, procéder comme suit.

Étape 1. Retirez le couvercle décoratif du fond du cache en le tournant dans le sens antihoraire. (Fig. 5)

Étape 2. Retirez le support de montage au plafond du cache en retirant (et en mettant de côté) l'une des deux vis. Desserrez la vis restante d'un demi-tour. (Fig. 5)

Étape 3. Faites passer les fils d'alimentation de 120 V de la boîte à prises du plafond par le centre du support de fixation au plafond. (Fig.6)

Étape 4. Fixez le support de montage au plafond à la boîte à prises en utilisant les vis et les rondelles fournies avec la boîte à prises. (Fig. 6)

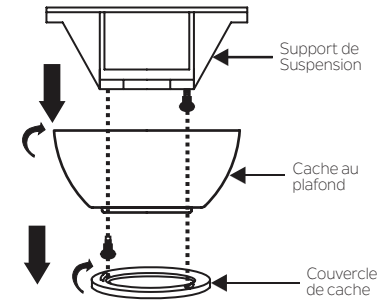


Fig. 5

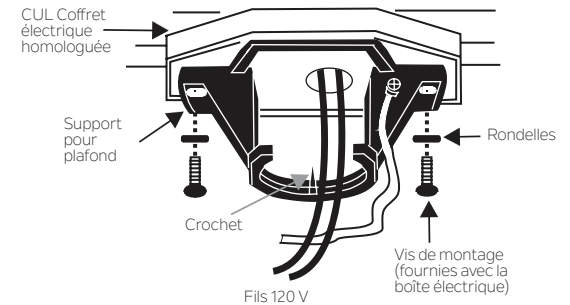


Fig. 6

SUSPENDRE LE VENTILATEUR

Étape 5. Retirez la boule de suspension de la tige de suspension en desserrant la vis de pression, en dégageant le croisillon et en dévissant la boule de la tige. (Fig.7)

Étape 6. Desserrez les deux vis de pression et enlevez la goupille ainsi que le clip de retenue d'accouplement sur le dessus du moteur. (Fig. 8)

Étape 7. Achetez soigneusement les fils conducteurs électriques depuis le ventilateur vers le haut par la tige de suspension. Installez la tige de suspension dans l'accouplement jusqu'à ce que les trous de goupille soient alignés.

Remplacez ensuite la goupille et le clip de retenue. Serrez les deux vis de pression. (Fig. 8)

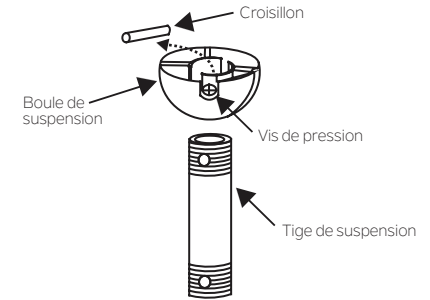


Fig. 7

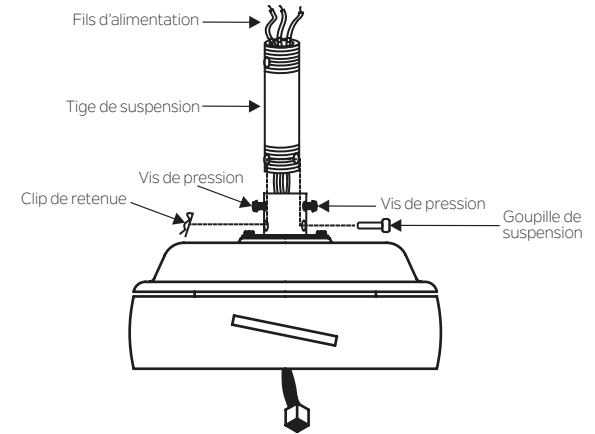


Fig. 8

SUSPENDRE LE VENTILATEUR

Étape 8. Faites glisser le couvercle d'accouplement, le couvercle du cache et le cache sur la tige de suspension.

Vissez la balle de suspension sur la tige de suspension, insérez le croisillon dans la tige de suspension et serrez. Serrez maintenant la vis de pression. (Fig. 9)

Étape 9. Soulevez le moteur en position et placez la boule de suspension dans le support de montage au plafond.

Tournez l'ensemble jusqu'à ce que la languette de contrôle se trouve dans la fente d'installation et qu'elle soit bien logée. (Fig. 10)

Le moteur entier ne doit pas tourner (à gauche ou à droite) lorsque l'installation est bien logée.

AVERTISSEMENT : Toujours fixer le croisillon et placer la *languette de contrôle* correctement sous risque de faire tomber le ventilateur du plafond pendant le fonctionnement. Prendre toutes les précautions nécessaires pour s'assurer que le croisillon est remis en place.

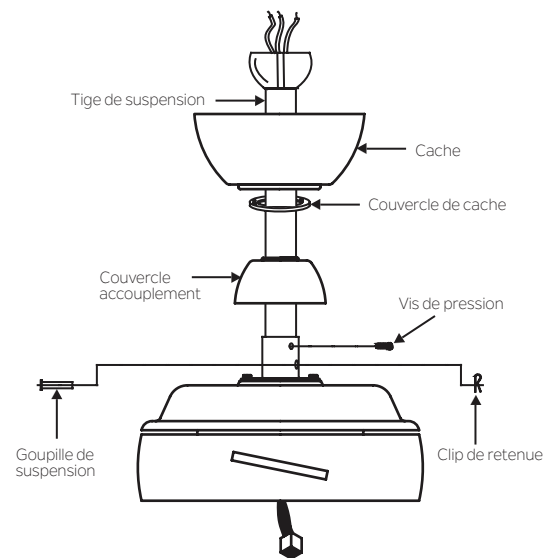


Fig. 9

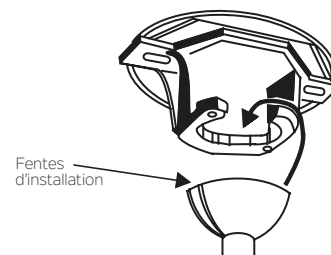


Fig. 10

INSTALLATION DU SUPPORT DE SÉCURITÉ (Requis UNIQUEMENT dans le cas d'une installation canadienne)

Le câble de support de sécurité est fourni pour empêcher que le ventilateur de plafond ne tombe; pour ce faire, il doit être installé comme suit.

Étape 1. Fixez la vis à bois et les rondelles fournies à la solive du plafond à côté du support de montage sans serrer. (Fig. 11)

Étape 2. Ajustez la longueur du câble de sécurité pour atteindre la vis et les rondelles en tirant l'excès de câble à travers le serre-câble jusqu'à ce que la longueur totale soit correcte. Placez l'embout du câble à travers le serre-câble en formant une boucle à l'extrémité du câble. Bien serrer le serre-câble. Mettre maintenant la boucle à l'extrémité du câble de sécurité au-dessus de la vis à bois et sous la rondelle. Bien serrer la vis à bois.

REMARQUE : Bien que le câble de support de sécurité ne soit requis que pour les installations canadiennes, il est recommandé d'effectuer la fixation à toute installation.

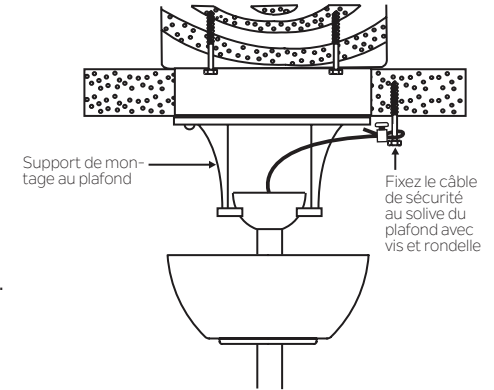


Fig. 11

CONNEXIONS ÉLECTRIQUES

AVERTISSEMENT : Pour éviter tout risque de choc électrique, s'assurer que l'alimentation est coupée au niveau du panneau de circuit principal avant de procéder au câblage. Procéder comme suit pour raccorder le ventilateur au câblage du domicile. Utiliser les raccords de connexion des fils fournis avec le ventilateur. Sécuriser les connecteurs avec du ruban électrique. S'assurer qu'il n'y a pas de brins de fil ou des connexions desserrées.

Étape 1. Connecter le fil alimentation du ventilateur (noir) et le fil pour l'éclairage (bleu) au fil d'alimentation noir du domicile (voir la figure 12).

Étape 2. Connecter le fil neutre ventilateur (blanc) au fil neutre (blanc) du domicile.

Étape 3. Connecter le fil de terre du ventilateur (vert) au fil de terre du domicile.

Étape 4. Après avoir connecté les fils, les séparer de sorte que les fils verts et blancs se trouvent sur un côté de la boîte à prises et les fils noirs de l'autre côté.

Étape 5. Tourner les écrous de raccordement vers le haut et mettez le câblage dans la boîte à prises.

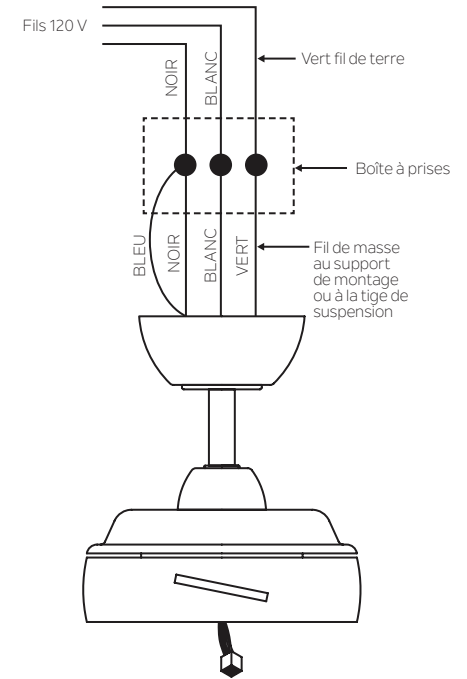


Fig. 12

DERNIÈRES ÉTAPES DE L'INSTALLATION

Étape 1. Placez toutes les connexions soigneusement dans la boîte à prises du plafond.

Étape 2. Faites glisser le cache jusqu'au support de montage et placez l'un des trous de serrure au-dessus de la vis de montage sur le support de montage. Tournez le cache jusqu'à ce que la tête de la vis soit verrouillée en place à la section étroite du trou de serrure. Voir la figure 13

Étape 3. Aligner le trou circulaire restant sur le cache au trou restant sur le support de montage au plafond. Insérer et serrez la vis de montage retirée plus tôt et la vis de montage de l'étape 2 ci-dessus. Fixez maintenant le couvercle du cache sur les têtes de vis de montage en insérant les têtes de vis dans la partie inférieure du cache et en tournant le couvercle dans le sens horaire.

REMARQUE : Régler les vis du cache jusqu'à ce que le cache et le couvercle du cache soient ajustés correctement. (Fig. 13)

Avertissement : Assurez-vous que la languette de contrôle en bas du support de suspension soit bien calée dans la fente d'installation sur le côté de la boule de suspension avant de fixer le cache au support. Si la languette de contrôle n'est pas logée correctement dans la fente d'installation, les fils électriques peuvent subir des dommages lorsque la direction des pales du ventilateur change alors que le ventilateur est en marche.

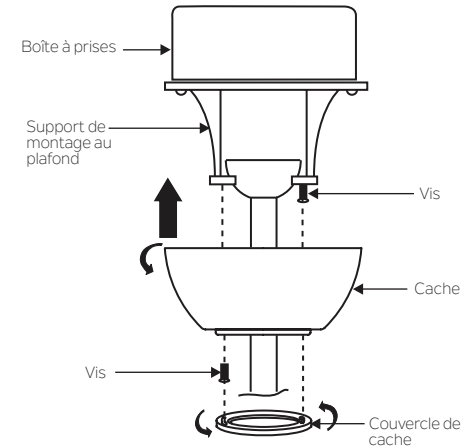


Fig. 13

FIXER LES PALES DU VENTILATEUR

Insérer la pale dans la fente de pale dans le carter du moteur. Aligner les trous de la pale et du support de pale et après s'être assuré que les trous sont bien alignés, fixer avec les vis et les rondelles en fibre (fournies). Répéter ce processus pour les autres pales. (Fig. 14)

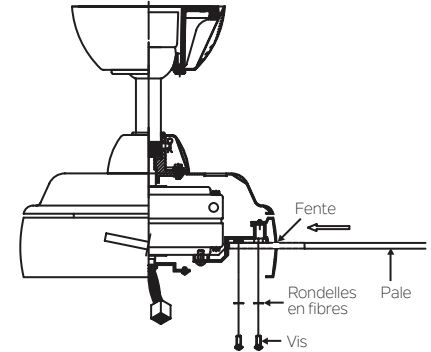


Fig. 14

INSTALLATION DE LA PLAQUE D'ÉCLAIRAGE

Étape 1. Desserrez deux des trois vis sur la bague de montage, enlevez la troisième vis (que vous mettez de côté) de la bague de montage. (Fig. 15)

Étape 2. Placer les fentes des trous en forme de serrure situés sur la plaque lumineuse sur les deux vis préalablement desserrées sur la bague de montage.

Tourner la plaque lumineuse jusqu'à ce qu'elle soit verrouillée au niveau de la section étroite des trous en forme de serrure.

Serrer les deux vis du trou en forme de serrure et remplacez la troisième vis précédemment retirée. Serrez fermement.

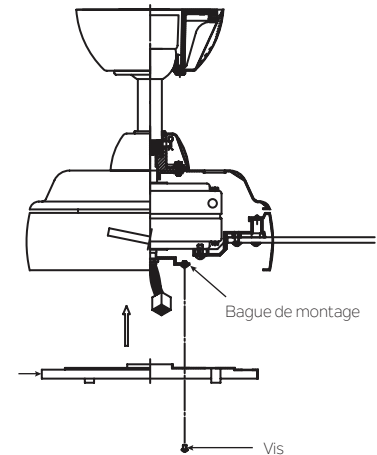


Fig. 15

INSTALLATION DU KIT D'ÉCLAIRAGE LED ET DU VERRE

Étape 1. Desserrer les trois vis de montage à l'intérieur du boîtier du commutateur/ensemble d'éclairage LED 16W. (Fig.16)

Étape 2. Tout en maintenant le boîtier de l'interrupteur sous votre ventilateur de plafond, pousser les connecteurs carrés ensemble, un du ventilateur et un du boîtier de l'interrupteur.

Étape 3. Rentrer soigneusement les connexions dans la plaque lumineuse. Placer les trous en forme de serrure sur le boîtier commutateur/ensemble d'éclairage LED 16W par-dessus les 2 vis précédemment desserrées de la plaque lumineuse, tourner l'ensemble d'éclairage/boîtier du commutateur jusqu'à ce qu'il s'enclenche dans la section étroite des trous en forme de serrure. Fixer en serrant les trois vis. (Fig.16)

Étape 4. Soulever le cache en verre contre l'ensemble d'éclairage/boîtier du commutateur LED 16W et le tourner dans le sens des aiguilles d'une montre jusqu'à ce qu'il soit bien ajusté. NE PAS SERRER EXCESSIVEMENT. (Fig. 16)

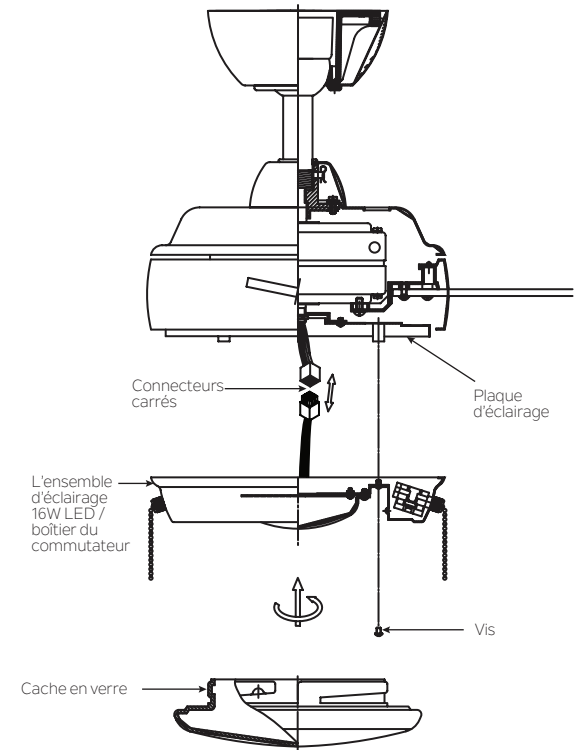


Fig. 16

INSTRUCTIONS D'UTILISATION

Remettre sous tension et vérifier le fonctionnement du ventilateur de plafond.

La chaîne de traction contrôle les trois (3) vitesses du ventilateur de plafond.

Tirer 1 fois = Vitesse élevée, Tirer 2 fois = Vitesse moyenne, Tirer 3 fois = Vitesse faible et Tirer 4 fois pour arrêter le moteur.

Le commutateur à glissière noir sur le côté du boîtier de l'interrupteur contrôle la direction des pales vers l'avant et vers l'arrière.

Par temps chaud: Avant (sens antihoraire) Un flux d'air vers le bas crée un effet de refroidissement (voir la figure 17). Cela vous permet de régler votre climatiseur sur un réglage plus chaud sans affecter votre confort général.

Par temps froid: Arrière (sens horaire). Un flux d'air vers le haut déplace l'air chaud du plafond (voir la figure 18). Cela vous permet de régler votre unité de chauffage sur un réglage plus froid sans affecter votre confort général.

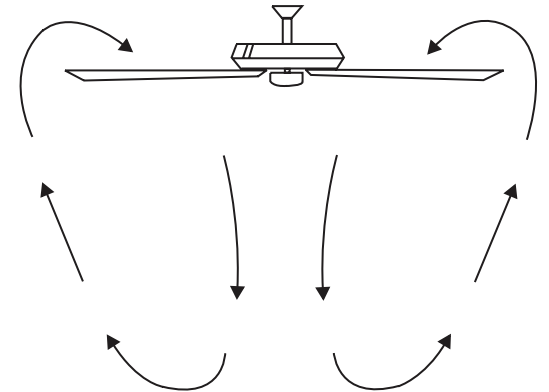


Fig. 17

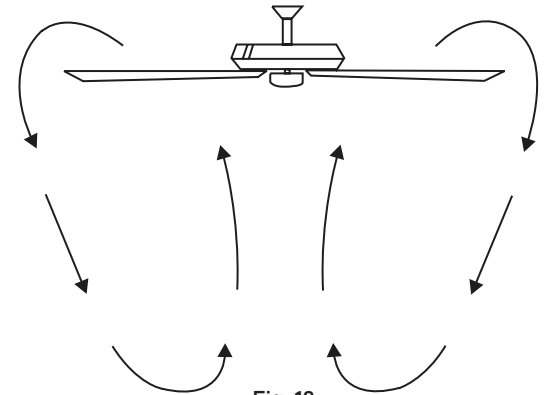


Fig. 18

DÉPANNAGE

Impossible de mettre le ventilateur en marche.

1. Vérifiez les fusibles ou disjoncteurs de circuit.
2. Vérifiez tous les raccordements électriques pour garantir un bon contact. **MISES EN GARDE :** Assurez-vous que l'alimentation principale est COUPÉE lors de la vérification des raccordements électriques.

Le ventilateur est bruyant.

1. Assurez-vous que toutes les vis du boîtier du moteur sont bien ajustées.
2. Assurez-vous que les vis qui fixent les supports des pales du ventilateur au moteur sont bien serrées.
3. Assurez-vous que les connexions des raccords filaires ne frottent pas les uns contre les autres ou contre la paroi intérieure du boîtier du commutateur. **MISES EN GARDE :** Assurez-vous que l'alimentation est COUPÉE.
4. Accordez une période de 24 heures pour le rodage. La majorité des bruits associés à un nouveau ventilateur disparaissent pendant la période de rodage.
5. Si vous utilisez un kit d'éclairage en option, assurez-vous que les vis de fixation de pièces en verre sont bien serrées. Assurez-vous que les ampoules ne touchent aucun autre élément.
6. Certains moteurs de ventilateurs sont sensibles aux signaux des commandes à vitesse variable à semi-conducteurs. Si vous avez installé ce type de contrôle, choisir et installer un autre type de contrôle.
7. Assurez-vous que la monture supérieure est à une courte distance du plafond. Il ne doit pas toucher le plafond.

Le ventilateur vacille.

1. Vérifiez que toutes les vis des pales et des bras de pales sont sécurisées.
2. La plupart des problèmes d'oscillation du ventilateur surviennent lorsque les niveaux des pales sont inégaux. Vérifiez ce niveau en sélectionnant un point sur le plafond au-dessus de l'extrémité de l'une des pales. Mesurez cette distance. Faites tourner le ventilateur jusqu'à ce que la prochaine pale soit positionnée pour la mesure. Répétez pour chaque pale. L'écart de distance doit se trouver dans les 1/8 po.
3. Utilisez le kit d'équilibrage des pales si le vacillement des pales est toujours perceptible.
4. Si le vacillement des pales est toujours perceptible, échangez deux pales adjacentes (côte à côte) pour redistribuer le poids et éventuellement permettre un fonctionnement plus équilibré.

AVERTISSEMENT : POUR RÉDUIRE LE RISQUE DE BLESSURE CORPORELLE ET GARANTIR LE BON FONCTIONNEMENT DU VENTILATEUR DE PLAFOND. NE JAMAIS FIXER LES PALES AVANT QUE LE VENTILATEUR DE PLAFOND N'AIT ÉTÉ FIXÉ AU PLAFOND. NE PAS PLIER LES BRAS DES PALES PENDANT L'INSTALLATION, L'ÉQUILIBRAGE OU LE NETTOYAGE DU VENTILATEUR. NE PAS INSÉRER D'OBJETS ÉTRANGERS ENTRE LES PLAQUES ROTATIVES DU VENTILATEUR.

SPÉCIFICATIONS

Taille	Vitesse	Volts	Amps	Watts	TR/min	CFM	CFM/W	N.W.	G.W.	C.F.
52"	Élevée	120	0.44	52.50	161	4289.90	82	11 kgs	12 kgs	1.92'
	Moyenne	120	0.31	5.30	111	2931.69	116			
	Lente	120	0.18	8.40	59	1545.35	184			

Ces mesures sont approximatives. Elles ne comprennent pas les données pour toutes les lampes ou les luminaires fixés au ventilateur de plafond.

MISE EN GARDE DE LALA FCC :

Cet appareil est conforme à la section 15 de la réglementation de la FCC. Son fonctionnement est soumis aux deux conditions suivantes : (1) cet appareil ne peut pas provoquer d'interférence nuisibles, et (2) cet appareil doit accepter toute interférence reçue, incluant une interférence qui pourrait provoquer un fonctionnement non-désiré. Tout changement ou modification n'ayant pas été expressément approuvé par la partie responsable de l'adhésion pourrait abroger l'autorisation de l'utilisateur à faire fonctionner l'appareil.

REMARQUE : Des tests ont confirmé que ce matériel respecte les limites d'un dispositif numérique de catégorie B, en vertu de la section 15 de la réglementation de la FCC. Ces limites ont été conçues pour fournir une protection raisonnable contre le brouillage nuisible d'une installation résidentielle. Cet équipement génère, utilise et peut rayonner de l'énergie radiofréquence et, s'il n'est pas installé et utilisé selon les instructions, peut causer de l'interférence nuisible aux communications de radio. Il est néanmoins possible qu'il y ait des interférences dans une installation en particulier. Si cet équipement cause du brouillage nuisible à la réception du signal de radio ou de télévision, ce qui peut être déterminé en éteignant puis en rallumant l'appareil, l'utilisateur peut essayer de corriger l'interférence en appliquant une ou plusieurs des mesures suivantes : Réorienter ou repositionner l'antenne récepteur, augmenter la distance séparant l'équipement et le récepteur, connecter l'équipement à la prise d'un circuit différent de celui du circuit auquel le ventilateur est connecté.

KICHLER®

Kichler® Lighting

7711 East Pleasant Valley Road P.O. Box 318010

Cleveland, Ohio 44131-8010 U.S.A.

SERVICE CLIENT 866.558.5706

DE 8h30 17H, HEURE DE L'EST

DU LUNDI AU VENDREDI

KICHLER®

52" Starkk™ LED

Las imágenes son de carácter ilustrativo y pueden diferir del producto real.



MANUAL DE INSTRUCCIONES

ÍNDICE

NORMAS DE SEGURIDAD	4	COLOCACIÓN DE LAS ASPAS DEL VENTILADOR ...	13
HERRAMIENTAS Y MATERIALES NECESARIOS.....	5	INSTALACIÓN DE LA PLACA DE ILUMINACIÓN	13
CONTENIDO DE LA CAJA	5	INSTALACIÓN DEL KIT LED Y DE LA PANTALLA DE VIDRIO	14
OPCIONES DE MONTAJE.....	6	INSTRUCCIONES DE USO	15
INSTALACIÓN DEL VENTILADOR.....	7	RESOLUCIÓN DE PROBLEMAS	16
INSTALACIÓN DEL SOPORTE DE SEGURIDAD	10	ESPECIFICACIONES.....	17
CONEXIONES ELÉCTRICAS.....	11	ADVERTENCIAS DE LA FCC.....	17
FINALIZACIÓN DE LA INSTALACIÓN	12		

NORMAS DE SEGURIDAD

1. Para reducir el riesgo de sufrir una descarga eléctrica, asegúrese de deshabilitar el circuito o cortar la electricidad de la caja de fusibles antes de comenzar.
2. Todos los cableados deben cumplir con el Código Nacional de Electricidad (NEC) y con los códigos de electricidad locales. Las instalaciones eléctricas deben ser realizadas por electricistas calificados con licencia.
3. **ADVERTENCIA:** Apto para usar con controles de velocidad de estado sólido.
4. **ADVERTENCIA:** Para reducir el riesgo de sufrir lesiones, use solamente los dos tornillos de acero (y arandelas de seguridad) incluidos con la caja tomacorriente para montar al tomacorriente. La mayoría de los tomacorrientes que se utilizan para colocar artefactos de iluminación no son aptos para montar ventiladores y deben ser reemplazados. Ante cualquier duda consulte a un electricista calificado.

ADVERTENCIA

PARA REDUCIR EL RIESGO DE INCENDIO, DESCARGA ELÉCTRICA O LESIONES, MONTAR EL VENTILADOR EN UN TOMACORRIENTE CERTIFICADO "PARA SOPORTE DE VENTILADORES"

5. La estructura del tomacorriente y el soporte deben estar montados de manera segura y ser capaces de soportar un mínimo de 50 libras de manera confiable. Use solo tomacorrientes certificados UL (cUL para Canadá) "PARA SOPORTE DE VENTILADORES".
6. El ventilador debe montarse a una distancia mínima de 7 pies entre la cola de las aspas y el piso.
7. No accione el comando para revertir el sentido de las aspas mientras el ventilador está en movimiento. El ventilador debe estar apagado y las aspas quietas antes de revertir la dirección de las aspas.

8. Evite colocar objetos en el camino de las aspas.
9. Para evitar lesiones o daños al ventilador u otros objetos, sea cuidadoso al trabajar cerca del ventilador o limpiarlo.
10. No usar agua o detergentes para limpiar el ventilador o las aspas. Usar un paño seco o levemente húmedo para limpiarlo.
11. Una vez identificadas las conexiones eléctricas, los conductores de empalme deben girarse hacia arriba e insertarse con cuidado dentro del tomacorriente. Los cables deben estar separados con el conductor de cable a tierra y cable a tierra del equipo de un lado del tomacorriente.
12. Los diagramas eléctricos son solo para referencia. Los kits de luz que no vengan incluidos con el ventilador deben estar certificados como aptos para usarse con el modelo de ventilador que "usted está instalando". Los interruptores deben ser de Uso General. Lea las instrucciones incluidas con el kit de luces e interruptores para su correcto ensamblaje.

ADVERTENCIA

PARA REDUCIR EL RIESGO DE LESIONES, NO DOBLAR LOS SOPORTES DE LAS ASPAS (PESTAÑAS) DURANTE EL ENSAMBLAJE O DESPUÉS DE LA INSTALACIÓN. NO COLOCAR OBJETOS EN EL CAMINO DE LAS ASPAS.

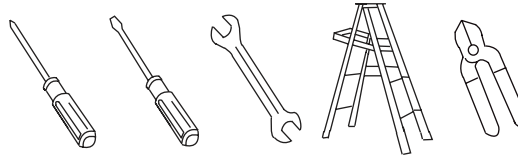
AVISO ESPECIAL

Este artefacto está equipado con un "Limitador de Vataje" según los requisitos del Departamento de Energía de los Estados Unidos. Dicho limitador ha sido instalado directo en fábrica y no puede quitarse.

La instalación de lámparas que excedan los 190 vatios en total inhabilitará el dispositivo de iluminación de la unidad. Si esto sucede, deberá reiniciar el dispositivo de iluminación apagando el ventilador de techo y/o dispositivo de iluminación para luego colocar lámparas que no excedan los 190 vatios en total, antes de volver a encenderlo.

HERRAMIENTAS Y MATERIALES NECESARIOS

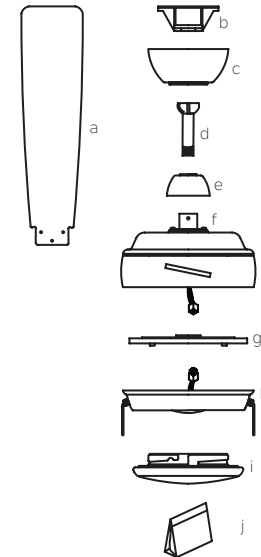
- Destornillador Phillips
- Destornillador plano
- Llave de 11 mm
- Escalera
- Tenazas



CONTENIDO DE LA CAJA

Abra la caja y verifique su contenido. Debe tener los siguientes ítems:

- | | |
|---|---|
| A. Aspas (5) | J. Partes incluidas |
| B. Soporte para montaje de techo | 1) Componentes para montaje:
arandelas de seguridad (2), tuercas para cables (3), tornillos maquinados (2), arandelas (2), tornillos (2) |
| C. Cobertor | 2) Componentes para ensamblaje de aspas:
tornillos (17), arandelas de fibra (17) |
| D. Esfera/Vara descendente de ensamblaje | 3) Componentes para ensamblaje de soportes de aspas:
tornillos (2) |
| E. Cobertor del acoplamiento | 4) Componentes para cable de seguridad:
Tornillo para madera, arandela de seguridad, arandelas planas |
| F. Ensamblaje del motor del ventilador | 5) Cadenillas y colgante (2) |
| G. Placa de iluminación | 6) Kit balanceador |
| H. Kit de luces LED de 16W /interruptores | |
| I. Pantalla de Vidrio | |



OPCIONES DE MONTAJE

Si no tiene una caja para montaje certificada por UL (cUL para Canadá) ya instalada, entonces lea las siguientes instrucciones. Desconectar la electricidad sacando los fusibles o bajando las llaves de circuitos.

Asegure la caja tomacorriente directamente sobre la estructura del edificio. Use tornillos y materiales adecuados. La caja tomacorriente y su soporte deben poder soportar el peso del ventilador en movimiento (por lo menos 50 libras). No use cajas tomacorriente de plástico.

Las figuras 1, 2 y 3 son diferentes ejemplos de cómo montar la caja tomacorriente.

NOTA: Si usted está instalando el ventilador sobre un techo inclinado (en declive), puede necesitar una vara descendente más larga para mantener la distancia adecuada entre la punta de las aspas y el techo. La distancia mínima sugerida para el funcionamiento óptimo es de 12”.

NOTA: Según la ubicación escogida para la instalación, quizás deba comprar e instalar un “colgante para viga” para colocar la caja tomacorriente. Asegúrese de que el colgante para viga que compre esté diseñado para usarse con ventiladores de techo (Fig. 4)

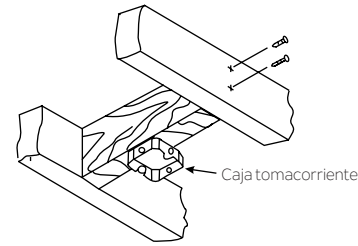


Fig. 1

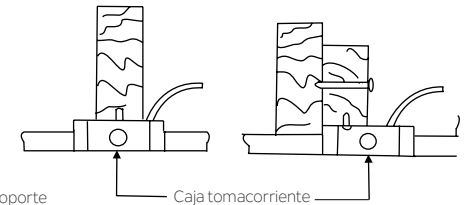


Fig. 2

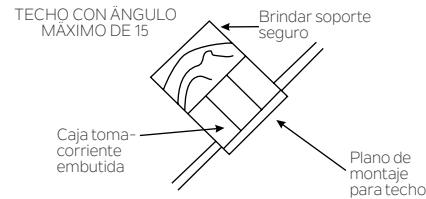


Fig. 3

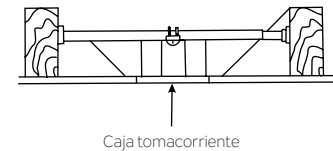


Fig. 4

INSTALACIÓN DEL VENTILADOR

RECUERDE cortar la electricidad antes de comenzar. Para instalar correctamente su ventilador de techo, siga los siguientes pasos:

Paso 1. Quite la tapa decorativa del cobertor girando el cobertor hacia la izquierda. (Fig. 5)

Paso 2. Quite el soporte para montaje de techo del cobertor quitando (y guardando) uno de los dos tornillos. Afloje el tornillo restante sin sacarlo totalmente. (Fig. 5)

Paso 3. Pase los cables de alimentación de 120 voltios del techo hacia la caja tomacorriente a través del centro del soporte para montaje de techo. (Fig.6)

Paso 4. Sujete el soporte para montaje de techo a la caja tomacorriente usando los tornillos y arandelas incluidos con la caja tomacorriente. (Fig. 6)

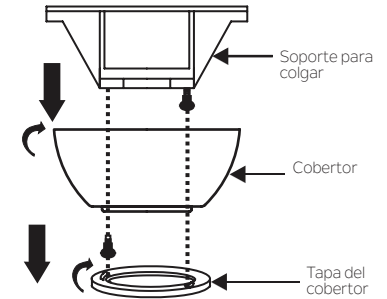


Fig. 5

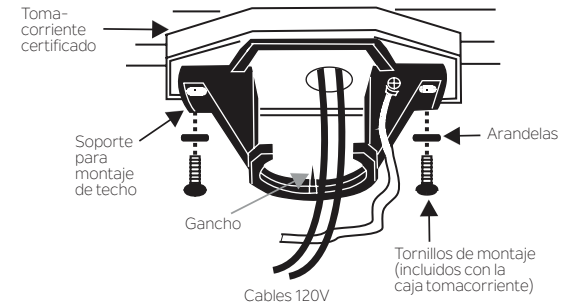


Fig. 6

INSTALACIÓN DEL VENTILADOR

Paso 5. Separe la vara descendente de ensamblaje del colgante aflojando el tornillo fijo, quitando el pin transversal y desatornillando totalmente el colgante de la vara descendente. (Fig.7)

Paso 6. Afloje los dos tornillos fijos y quite el pin de enganche y el clip de retén del acoplamiento arriba del ensamblaje del motor. (Fig. 8)

Paso 7. Con cuidado, inserte los cables eléctricos del ventilador a través de la vara descendente. Guíe la vara descendente dentro del acoplamiento hasta que los agujeros del pin de enganche estén alineados.

A continuación, vuelva a colocar el pin de enganche y el clip de retén. Ajuste ambos tornillos fijos. (Fig. 8)

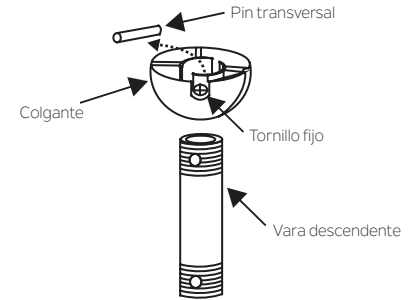


Fig. 7

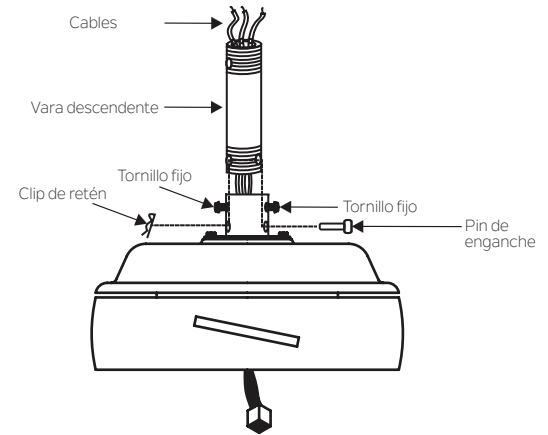


Fig. 8

INSTALACIÓN DEL VENTILADOR

Paso 8. Coloque el cobertor del acoplamiento, la tapa del cobertor y el cobertor en la vara descendente.

Una el colgante y la vara descendente, inserte el pin transversal a través de la vara descendente y ajuste. Luego ajuste los tornillos fijos. (Fig. 9)

Paso 9. Levante el ensamblaje del motor para colocar el colgante dentro del sostén de montaje de techo.

Rote todo el ensamblaje hasta que la “Pestaña de tope” (“Check Tab”) quede dentro de la “Ranura de Registro” (“Registration Slot”) y se apoye firmemente. (Fig. 10)

Todo el ensamblaje de motor no debe girar (izquierda o derecha) si está asegurado de manera adecuada.

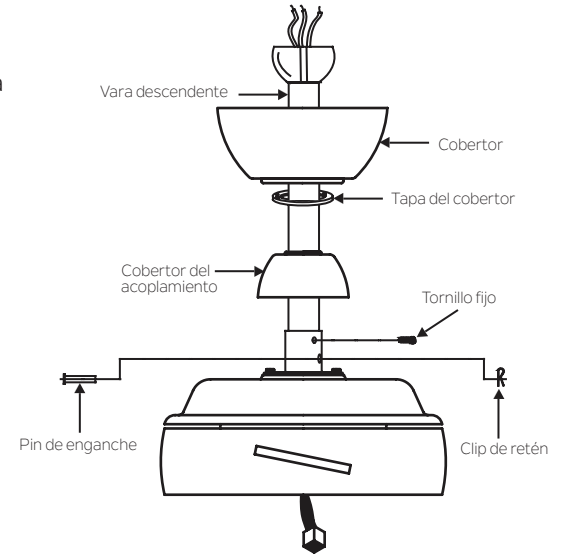


Fig. 9

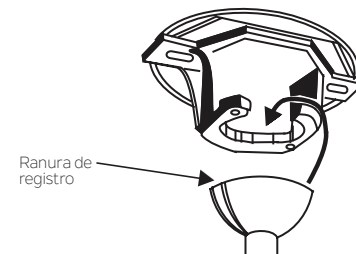


Fig. 10

ADVERTENCIA: Si no se coloca el pin transversal y se asegura la “Pestaña de Tope” correctamente, el ventilador puede desplomarse del techo mientras está en funcionamiento. Verifique atentamente que el pin esté colocado debidamente en su lugar.

INSTALACIÓN DEL SOPORTE DE SEGURIDAD (requisito sólo para instalación en Canadá)

Se incluye un cable de soporte de seguridad para evitar la caída del ventilador de techo.

Paso 1. Coloque el tornillo para madera y las arandelas en la viga del techo junto con el soporte de montaje, pero no lo ajuste. (Fig. 11)

Paso 2. Ajuste el largo del cable de seguridad para alcanzar el tornillo y las arandelas tirando el excedente de cable a través de la abrazadera hasta que el largo sea el correcto, pase la punta del cable de nuevo por la abrazadera, formando un nudo al final del cable. Ajuste la abrazadera firmemente. Luego, pase el nudo al final del cable de seguridad sobre el tornillo para madera y debajo de la arandela. Ajuste el tornillo para madera firmemente.

NOTA: A pesar de que el cable de soporte de seguridad es de uso obligatorio solo en Canadá, siempre es buena idea incluirlo en cualquier instalación.

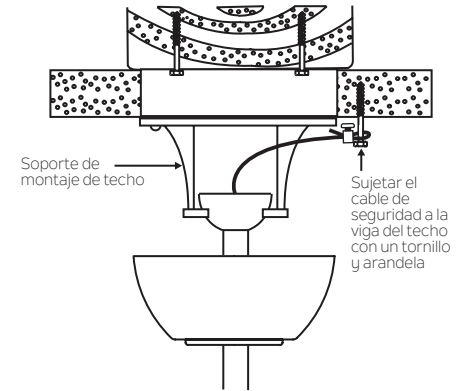


Fig. 11

CONEXIONES ELÉCTRICAS

ADVERTENCIA: Para evitar posibles descargas eléctricas, asegúrese de cortar la electricidad del panel eléctrico principal.

Siga los siguientes pasos para conectar el ventilador al cableado de su hogar. Use las tuercas para cables incluidas con su ventilador. Proteja el conector con cinta aislante. Asegúrese que no queden hebras de cable o conexiones sueltas.

Paso 1. Conecte los cables positivos (negro y azul) del ventilador al cable negro de la instalación eléctrica de su casa como lo indica la Figura 12.

Paso 2. Conecte el cable negativo (blanco) del ventilador al cable negativo de la instalación eléctrica de su casa (blanco).

Paso 3. Conecte el cable a tierra del ventilador (verde) al cable a tierra de su casa.

Paso 4. Una vez conectados los cables, sepárelos de manera que los cables verde y blanco estén de un lado de la caja tomacorriente y los cables negros del otro.

Paso 5. Enrosque las tuercas de conexión y empuje el cableado dentro de la caja tomacorriente.

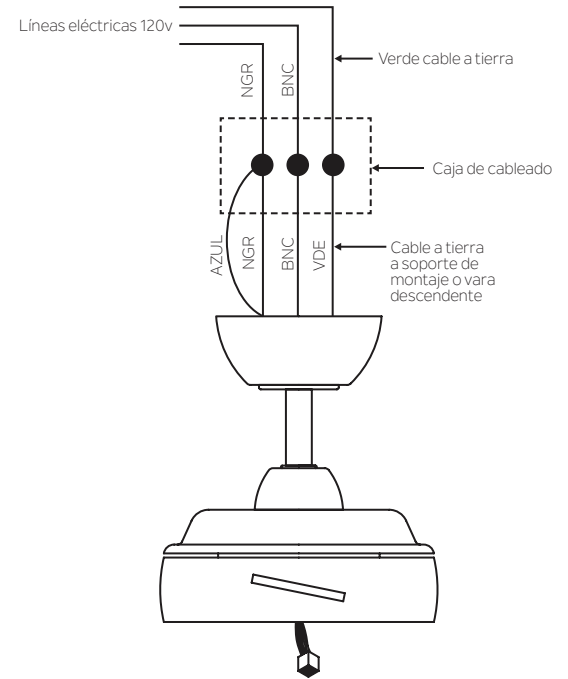


Fig. 12

FINALIZACIÓN DE LA INSTALACIÓN

Paso 1. Meta todas las conexiones de manera prolija dentro de la caja tomacorriente del techo.

Paso 2. Deslice el cobertor sobre el soporte de montaje y coloque el tornillo de montaje dentro de la ranura. Rote el cobertor hasta que la cabeza del tornillo quede asegurada en la parte angosta de la ranura. Ver figura 13.

Paso 3. Alinee el agujero circular restante del cobertor con el agujero restante del soporte de montaje de techo. Inserte y ajuste el tornillo de montaje que sacó antes y el otro tornillo de montaje del Paso 2 anterior. A continuación, sujete la tapa del cobertor a las cabezas de los tornillos de montaje insertándolas en la parte inferior de la tapa del cobertor y rotando la tapa hacia la derecha.

NOTA: Ajuste los tornillos del cobertor hasta que el cobertor y la tapa del mismo queden juntas. (Fig. 13)

Advertencia: Asegúrese de que la “Pestaña de Tope” al fondo del soporte colgante esté situada adecuadamente dentro de la “Ranura de Registro” al costado del colgante antes de sujetar el cobertor al soporte. Si no se coloca la “Pestaña de Tope” de manera adecuada se pueden dañar las conexiones eléctricas cuando se cambia la dirección de las aspas del ventilador de techo mientras este está funcionando.

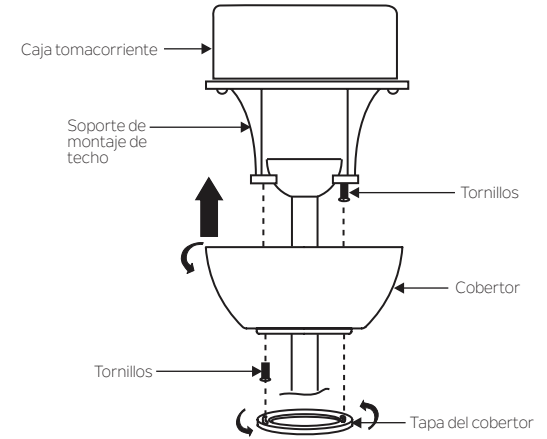


Fig. 13

COLOCACIÓN DE LAS ASPAS

Inserte el asa a través de la ranura para aspas en el armazón del motor. Alinee las perforaciones de las aspas con el soporte para aspas, asegurándose de que los agujeros también estén alineados y fíjelos con los tornillos y arandelas de fibra provistos. Repita el proceso con las otras aspas. (Fig. 14)

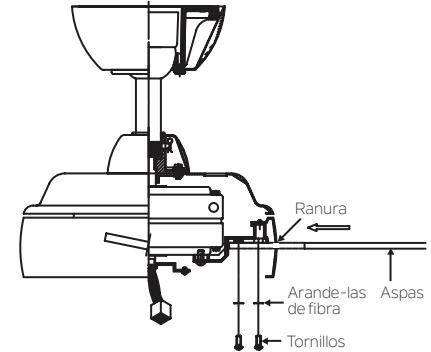


Fig. 14

INSTALACIÓN DE LA PLACA DE ILUMINACIÓN

Paso 1. Afloje los dos tornillos que están en el aro de montaje sujeto al asta del motor. "Quite" y guarde el tercer tornillo. (Fig. 15)

Paso 2. Coloque las ranuras de la placa de iluminación sobre los dos tornillos que había aflojado previamente ubicados en el aro de montaje.

Gire la placa de iluminación hasta que quede firme en la parte angosta de la ranura.

Ajuste ambos tornillos y vuelva a colocar el tercer tornillo que había quitado y guardado antes y ajústelo firmemente.

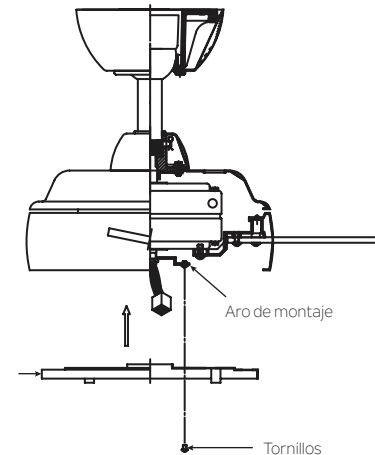


Fig. 15

INSTALACIÓN DEL KIT LED Y LA PANTALLA DE VIDRIO

Paso 1. Afloje los tres tornillos de montaje dentro del kit LED de 16W/toma de interruptores. (Fig.16)

Paso 2. Mientras sostiene la toma de interruptores debajo de su ventilador, conecte la ficha cuadrada, un cable del ventilador y el otro de la toma de interruptores.

Paso 3. Introducir las conexiones de manera prolija dentro de la placa de iluminación. Coloque las ranuras del kit LED de 16W /toma de interruptores sobre los dos tornillos de la placa de iluminación que había aflojado previamente, gire el kit LED de 16W /toma de interruptores hasta que quede trabado en la parte angosta de las ranuras. Fíjelo ajustando los tres tornillos. (Fig.16)

Paso 4. Coloque la pantalla de vidrio contra el kit LED de 16W /toma de interruptores y gire hacia la derecha hasta que queden juntos. NO LO AJUSTE DEMASIADO. (Fig. 16)

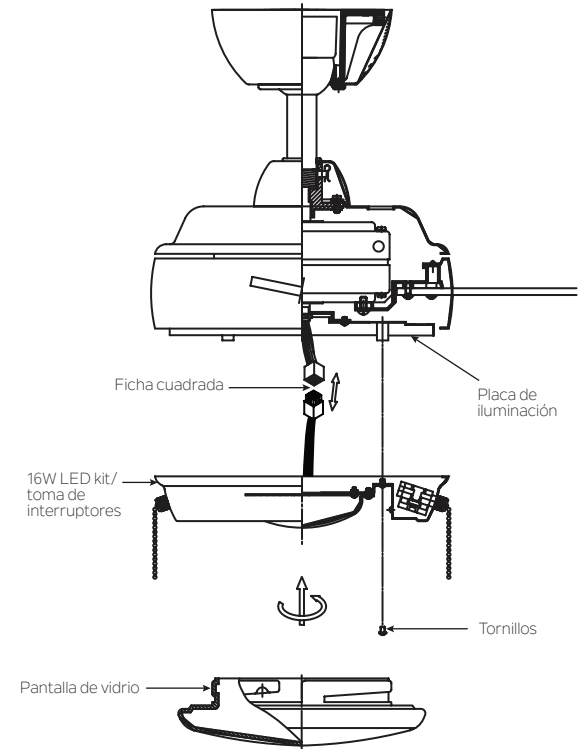


Fig. 16

INSTRUCCIONES DE USO

Conecte la electricidad y verifique el funcionamiento de su ventilador de techo.

La cadenilla controla las 3 velocidades de su ventilador de techo.

Jalar 1 vez = Máximo, jalar 2 veces = Medio, jalar 3 veces = Bajo y un 4to jalón apaga el motor.

El Interruptor Negro ubicado al costado de la toma de interruptores controla la dirección de las aspas hacia “Adelante o Reversa” (“Forward and Reverse”)

Funcionamiento en Clima Cálido: Adelante (Forward) (en sentido contrario al reloj) Una corriente de aire descendente crea un efecto refrescante como se indica en la Fig. 17. Esto le permite poner su aire acondicionado a una mayor temperatura sin afectar su bienestar general.

Funcionamiento en Clima Frío: Reversa (Reverse) (en sentido del reloj). Una corriente de aire ascendente hace fluir el aire cálido del área del techo como se indica en la Fig. 18. Esto le permite poner su calefacción a una menor temperatura sin afectar su bienestar general.

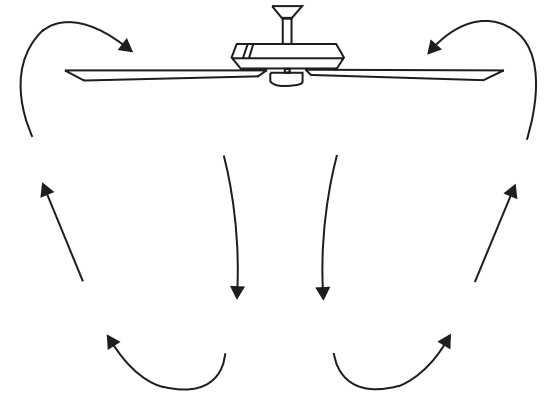


Fig. 17

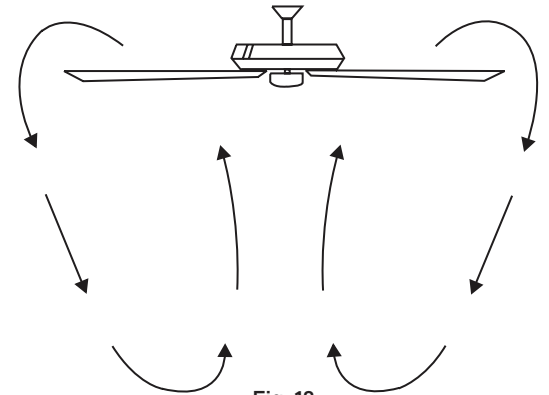


Fig. 18

RESOLUCIÓN DE PROBLEMAS

El ventilador no enciende.

1. Verifique la caja de fusibles e interruptores.
2. Verifique todas las conexiones eléctricas para asegurarse de que estén haciendo contacto correctamente.
PRECAUCIÓN: Asegúrese de que la electricidad esté CORTADA antes de revisar cualquier conexión eléctrica.

El ventilador es ruidoso.

1. Asegúrese de que todos los tornillos del armazón del motor estén bien ajustados.
2. Asegúrese de que todos los tornillos que sujetan los soportes de las aspas al motor estén bien ajustados.
3. Asegúrese de que las conexiones de las tuercas para cables no estén rozando las unas con las otras o con la pared interna de la toma de interruptores. **PRECAUCIÓN:** Asegúrese de que la electricidad esté CORTADA.
4. Espere 24 horas hasta que las partes “se acomoden”. La mayoría de los ruidos de un ventilador nuevo desaparecen después de este periodo
5. Si está usando un kit de iluminación alternativo, asegúrese de que los tornillos que sujetan el vidrio estén bien ajustados. Asegúrese de que las lámparas no estén rozando con otras partes.
6. Algunos motores de ventiladores pueden ser sensibles a las señales de los controles de velocidad variable de estado sólido. Si usted instaló este tipo de control, intente instalar otro tipo diferente.
7. Asegúrese de que el cobertor superior esté apenas distanciado del techo. No debe tocar el techo.

El ventilador se balancea.

1. Verifique que todos los tornillos de las aspas y del soporte estén ajustados.
2. La mayoría de los problemas de balanceo de los ventiladores se deben a que las aspas no están bien niveladas. Verifique este nivel seleccionando un punto en el techo arriba de la punta de una de las aspas. Mida esa distancia. Gire el ventilador hasta que la siguiente aspa esté posicionada para medir la distancia. Repetir con cada aspa. La desviación de la distancia no debe ser mayor a 1/8”.
3. Use el Kit Balanceador de Aspas incluido si continúa notando balanceo de las aspas.
4. Si continúa notando balanceo de las aspas, puede intercambiar dos aspas adyacentes (una al lado de la otra) para redistribuir el peso y así lograr un funcionamiento más regular.

ADVERTENCIA: PARA REDUCIR EL RIESGO DE LESIONES Y PARA ASEGURAR EL FUNCIONAMIENTO CORRECTO DE SU VENTILADOR DE TECHO, NUNCA COLOQUE LAS ASPAS DEL VENTILADOR HASTA QUE EL VENTILADOR HAYA SIDO MONTADO EN EL TECHO. NO DOBLE LAS ASPAS AL INSTALARLAS, BALANCEARLAS O LIMPIAR EL VENTILADOR. NO INSERTE OBJETOS EXTRAÑOS ENTRE LAS ASPAS DEL VENTILADOR MIENTRAS ESTÉN GIRANDO.

Tamaño	Velocidad	Volts	Amps	Watts	RPM	FCM	FCM/P	P.N.	P.T.	V.T.
--------	-----------	-------	------	-------	-----	-----	-------	------	------	------

ESPECIFICACIONES

52"	Alto	120	0.44	52.50	161	4289.90	82	11 kgs	12 kgs	1.92'
	Medio	120	0.31	5.30	111	2931.69	116			
	Bajo	120	0.18	8.40	59	1545.35	184			

Estas son medidas aproximadas. No incluyen datos de lámparas o artefactos adjuntados al ventilador de techo.

ADVERTENCIA DE LA FCC

Este artefacto cumple con la parte 15 de las Normas de la FCC. Su funcionamiento está sujeto a las dos siguientes condiciones:

(1) Este artefacto no puede causar interferencia dañina y (2) este artefacto debe aceptar cualquier interferencia recibida, incluso interferencia que pueda causar funcionamiento no deseado.

Cualquier cambio o modificación que no haya sido aprobado por la parte responsable del cumplimiento de las normas puede anular la autoridad del usuario para operar el equipo.

NOTA: Este equipo fue probado y cumple con los parámetros de un aparato digital Clase B, según la parte 15 de las Normas de la FCC. Estos parámetros fueron diseñados para brindar justa protección contra la interferencia dañina en una instalación residencial. Este equipo genera, usa y puede irradiar energía de radiofrecuencia y, si no se instala según las instrucciones, puede causar interferencia dañina en las radiocomunicaciones. No obstante, no se garantiza que no vaya a haber interferencia en alguna instalación en particular. Si este equipo causa interferencia dañina a la recepción de radio o televisión, lo que se puede determinar apagando y encendiendo el equipo, se aconseja al usuario tratar de corregir dicha interferencia mediante una o más de las siguientes medidas:

Reorientar o reubicar la antena receptora, incrementar la distancia entre el equipo y el receptor y conectar el equipo a una toma que sea parte de un circuito diferente al que está conectado el ventilador.

KICHLER®

KICHLER® LIGHTING

7711 EAST PLEASANT VALLEY ROAD P.O. BOX 318010

CLEVELAND, OHIO 44131-8010

ATENCIÓN AL CLIENTE 866.558.5706

8:30 AM A 5:00 PM EST, LUNES A VIERNES