

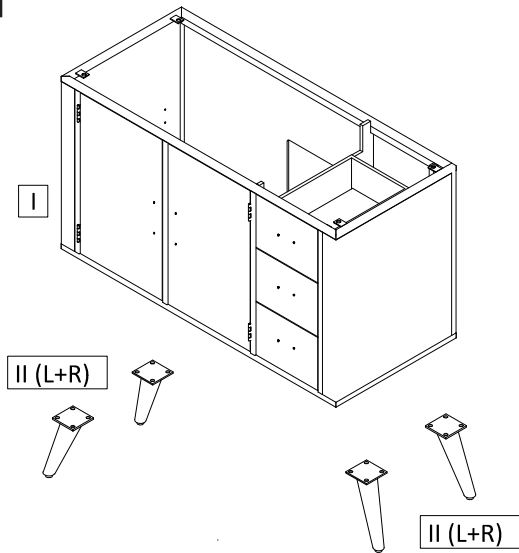
SUGGESTED TOOLS AND MATERIALS / *OUTILS ET MATÉRIAUX SUGGÉRÉ*



Tape Measure / mètre à ruban

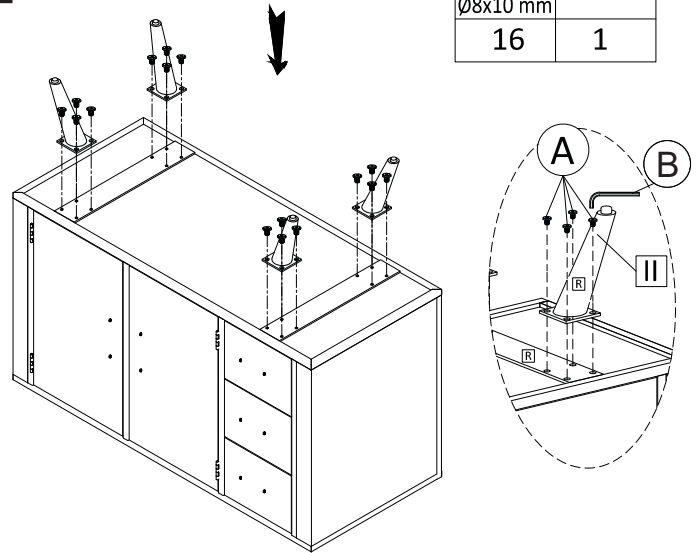
INSTALLATION INSTRUCTIONS / *LES INSTRUCTIONS D'INSTALLATION*

**1**



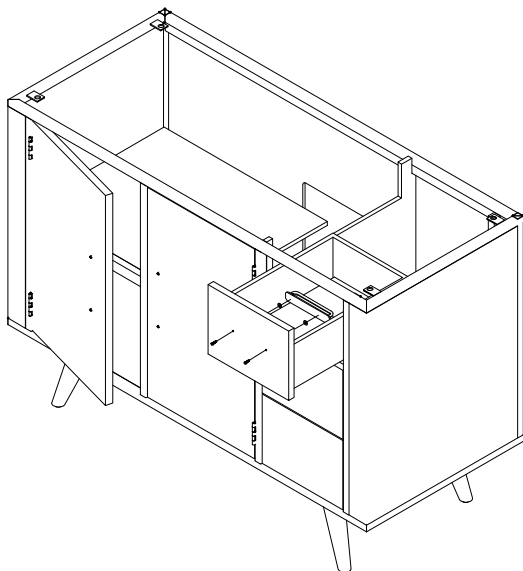
Remove vanity from box and examine vanity for any defects or damage.

**2**



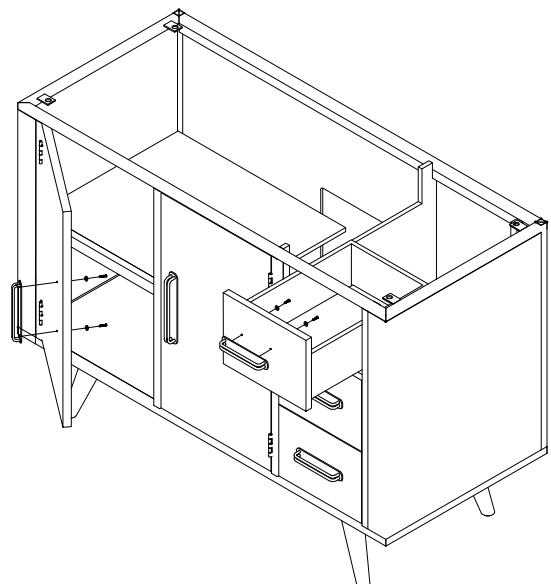
Install legs into cabinets.

**3**



Remove the hands

**4**



Install the hands

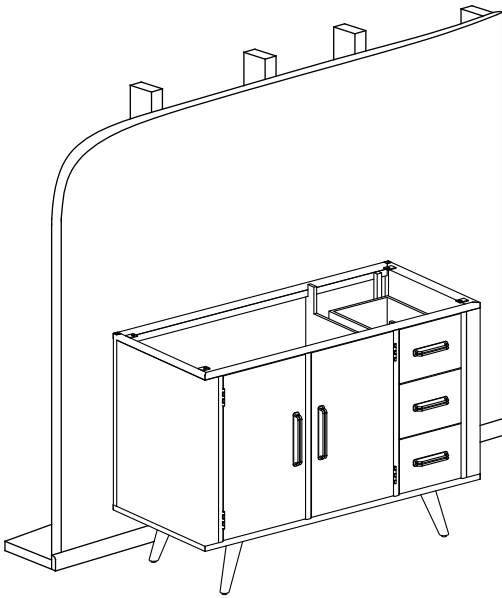
SUGGESTED TOOLS AND MATERIALS / *OUTILS ET MATÉRIAUX SUGGÉRÉ*



Tape Measure / *mètre à ruban*

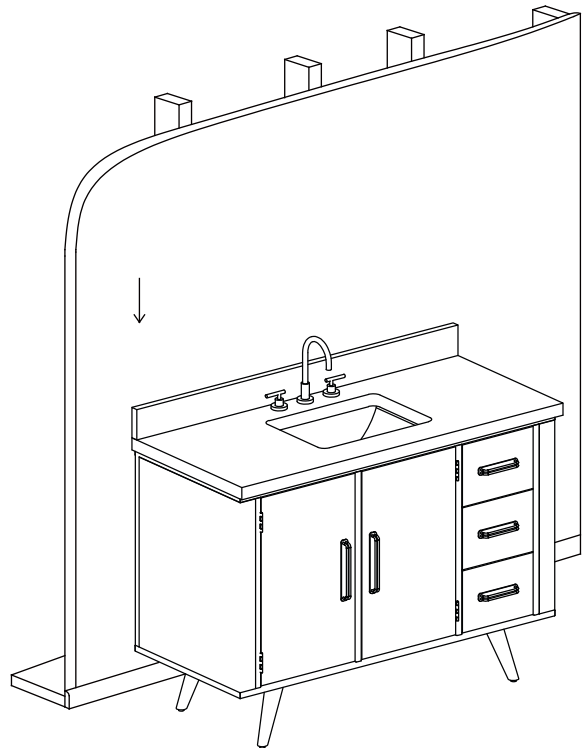
INSTALLATION INSTRUCTIONS / *LES INSTRUCTIONS D'INSTALLATION*

5



Carefully place vanity against wall.

6

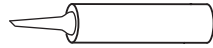


Install vanity top according to manufacturer's directions.

### SUGGESTED TOOLS AND MATERIALS



Philips Screwdriver



Sealant



Tape Measure



Safety Glasses

### PARTS / HARDWARE (INCLUDED ONLY WITH AVANITY STONE TOPS)



4x



4x



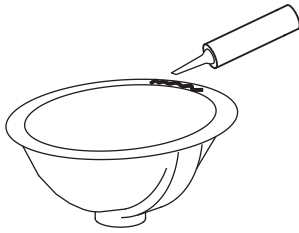
4x



4x

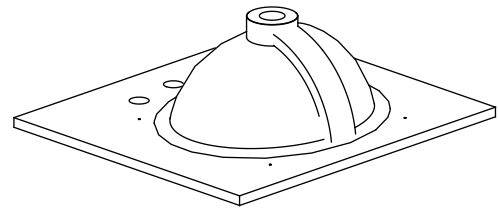
### SINK INSTALLATION

1



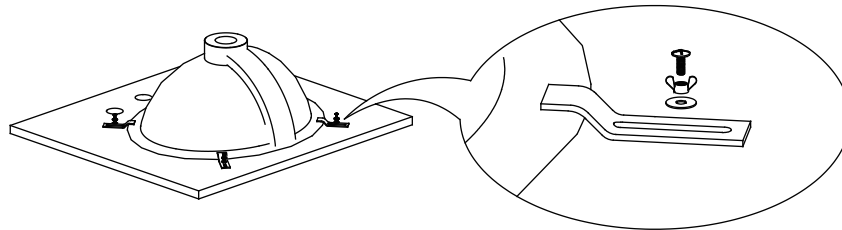
Apply a continuous bead of quality sealant to the top surface (rim) of the sink.

2



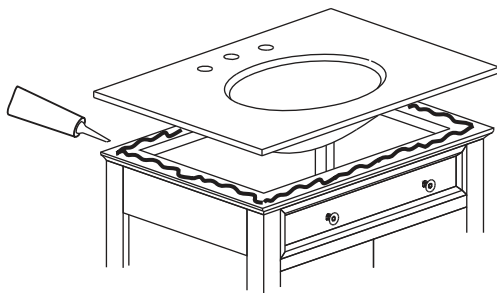
Turn the stone top upside down and place it on a clean, scratch resistant surface. Center the sink over the cutout.

3



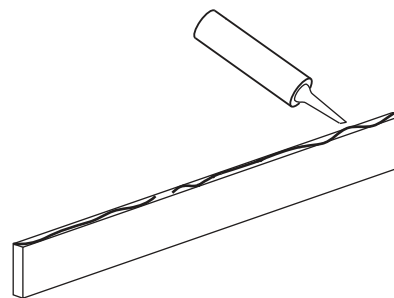
Secure the sink to the top using the mounting kit / hardware provided with the stone top, **HAND TIGHTEN ONLY.**

4



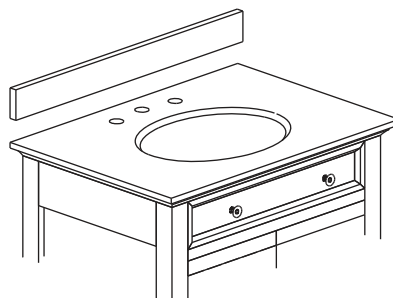
Apply bead of quality sealant evenly along the top of the vanity.

5



Apply silicone sealant evenly along the bottom of backsplash and wall.

6



Finally, place the bottom side of back splash with sealant onto the countertop and check alignment of backsplash. Adjust the leg levels as needed