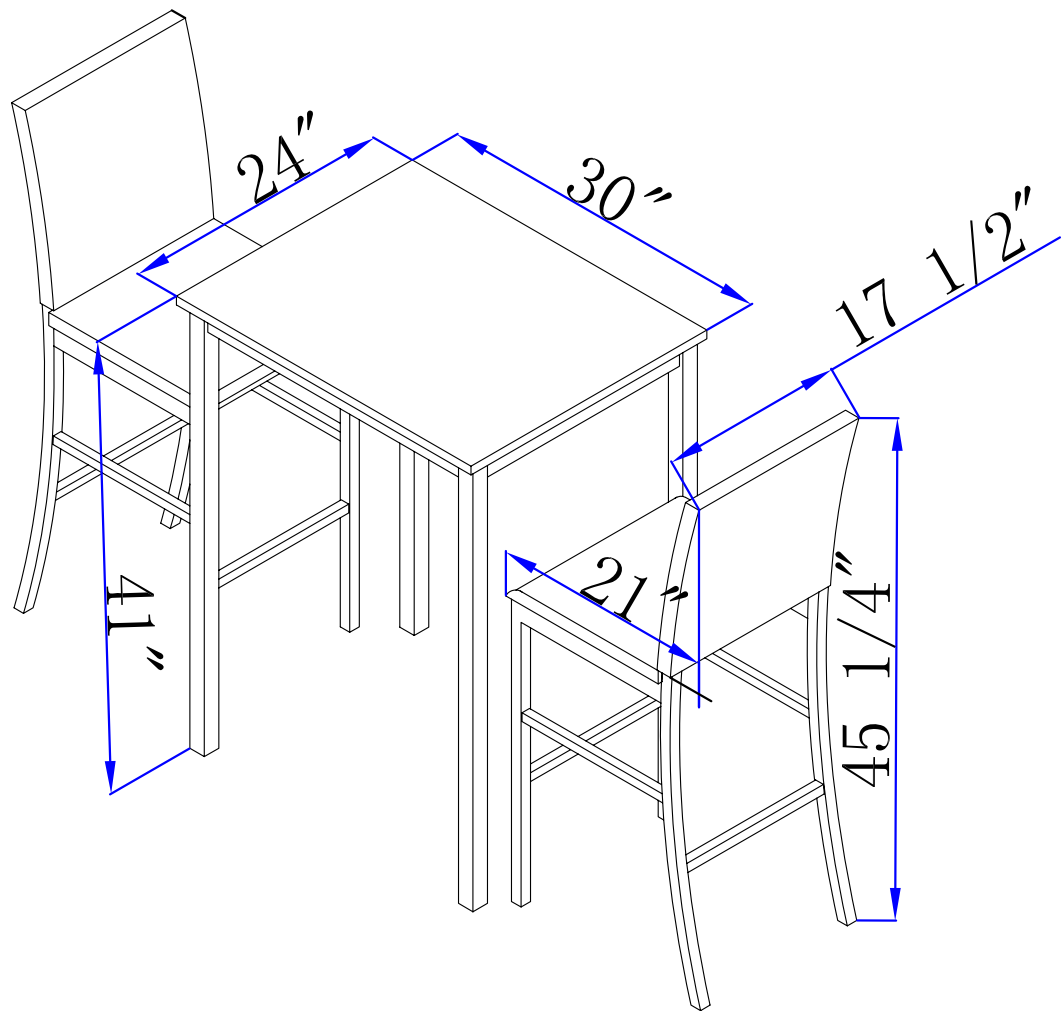


HOME SOURCE

INDUSTRIES

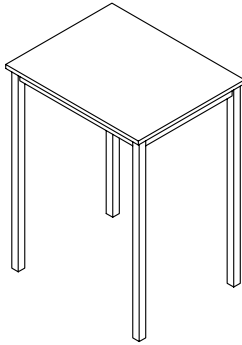
www.homesourceind.com

service@homesourceind.com



ASSEMBLY INSTRUCTION

FAUX COUNTER HEIGHT BISTRO TAB TABLE ITEM NO:12935

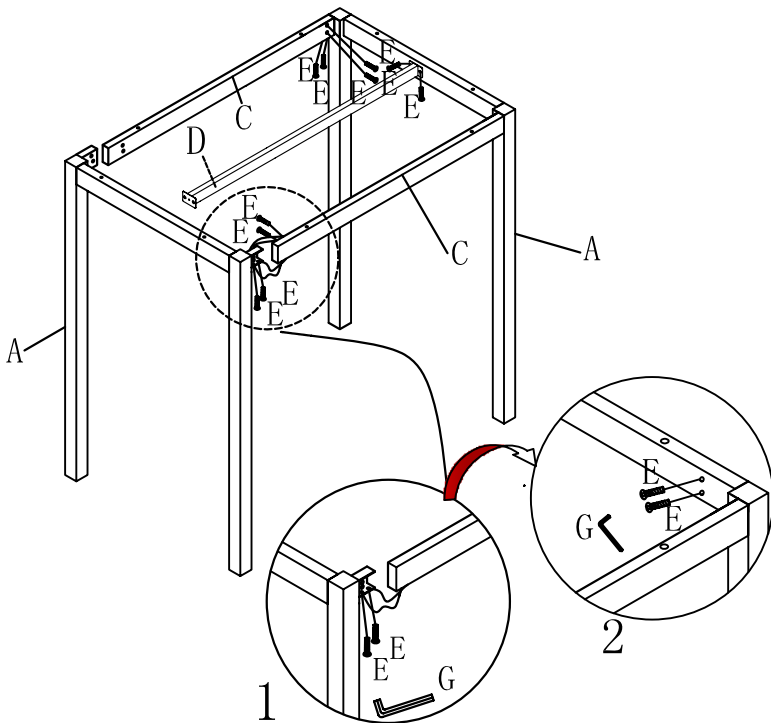


PARTS&HARDWARE LIST

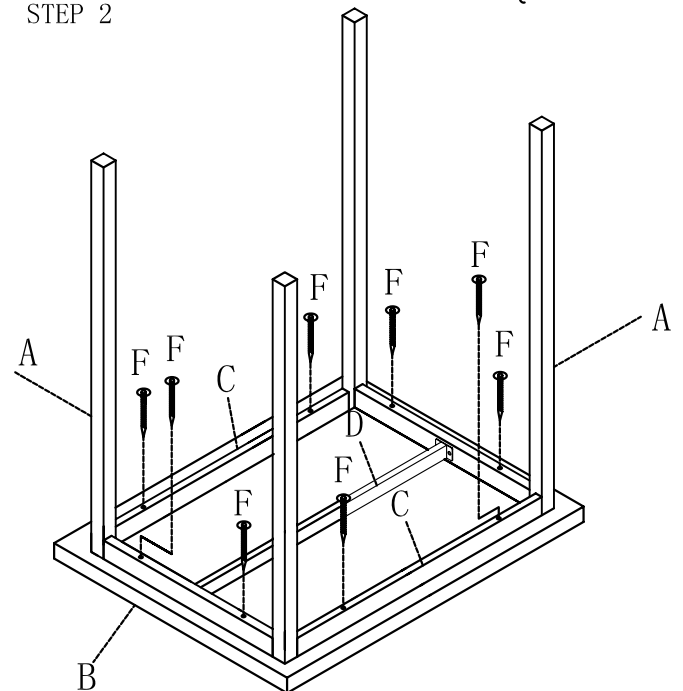
A		Table Leg Frame	2PCS
B		Table Top	1PC
C		Apron	2PCS
D		Table Top	1PC
E		6. 35mm*16mm	20PCS
F		5mm*70mm	8PCS
G		L-Allen Key	1PC

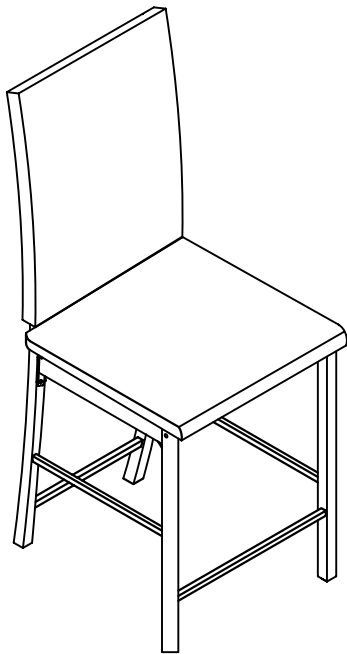
IMPORTANT NOTE:PLEASE NOT TIGHTEN ANY BOLTS UNTIL ALL OF THEM ARE PUT IN PLACES THEN TIGHTEN THE BOLTS.

STEP 1



STEP 2



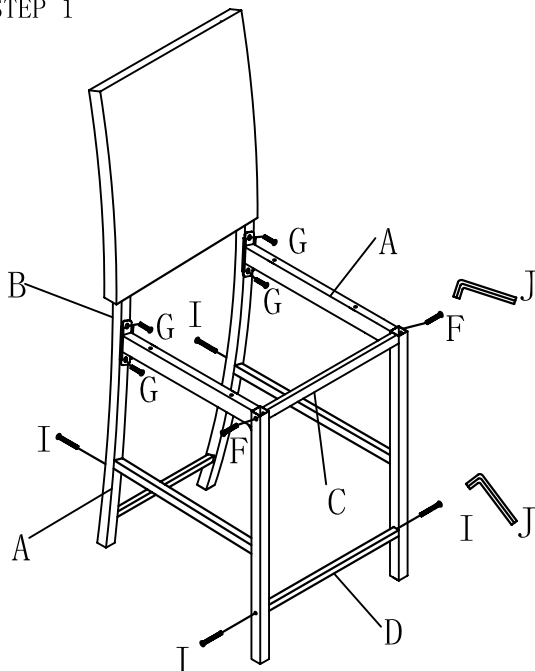


PARTS&HARDWARE LIST

A		Left&Right Side Frame	4PCS
B		Chair Back	2PCS
C		Front Top Stretcher	2PCS
D		Front Bottom Stretcher	2PCS
E		Seat Cushion	2PCS
F		1/4*43mm	4PCS
G		1/4*19mm	8PCS
H		4mm*56mm	8PCS
I		1/4*38mm	8PCS
J		L-Allen Key	1PC

IMPORTANT NOTE:PLEASE NOT TIGHTEN ANY BOLTS UNTIL ALL OF THEM ARE PUT IN PLACES THEN TIGHTEN THE BOLTS.

STEP 1



STEP 2

