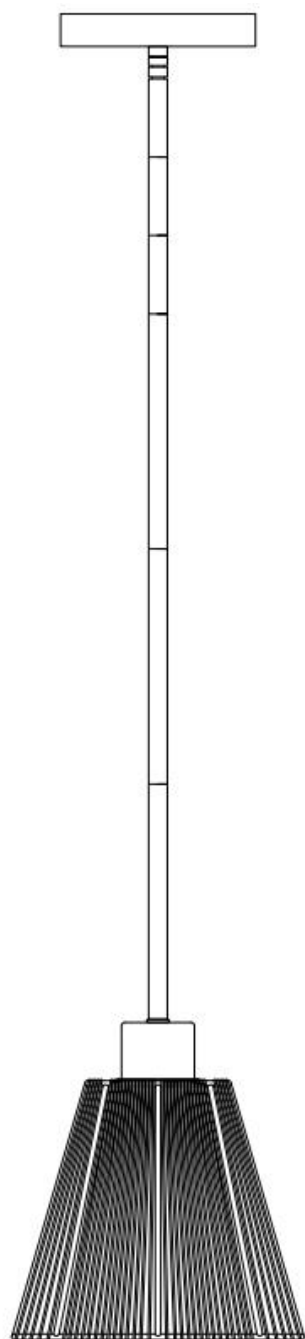




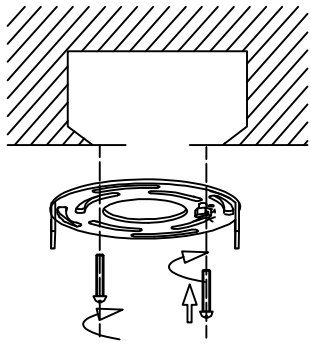
Parrot Uncle

# D3017



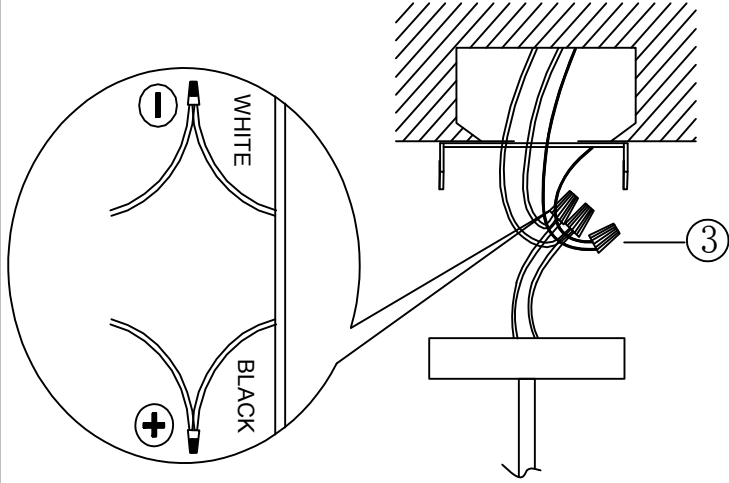
English / Español / Français

[www.parrotuncle.com](http://www.parrotuncle.com)

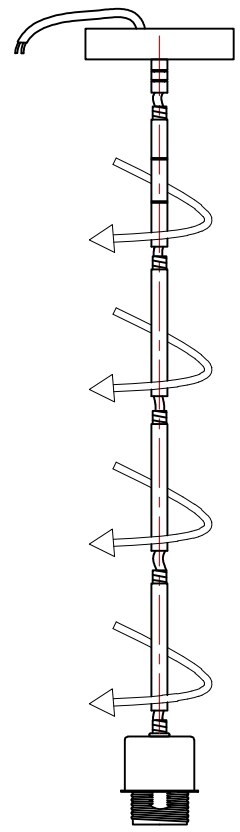


①

Install the bracket on top of the box

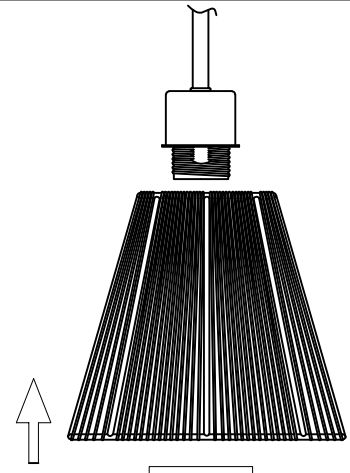


The black line is: L  
The white line is: N  
The yellow and green lines  
are: grounding wires



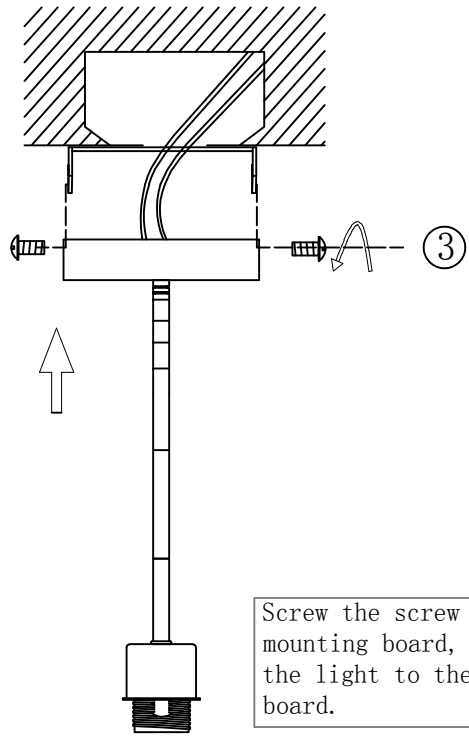
②

Fix the box and body together

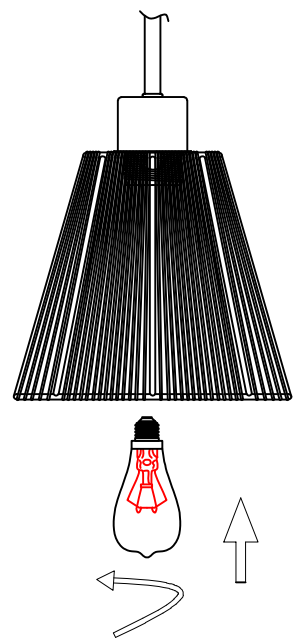


④

Install the lamp cap ring

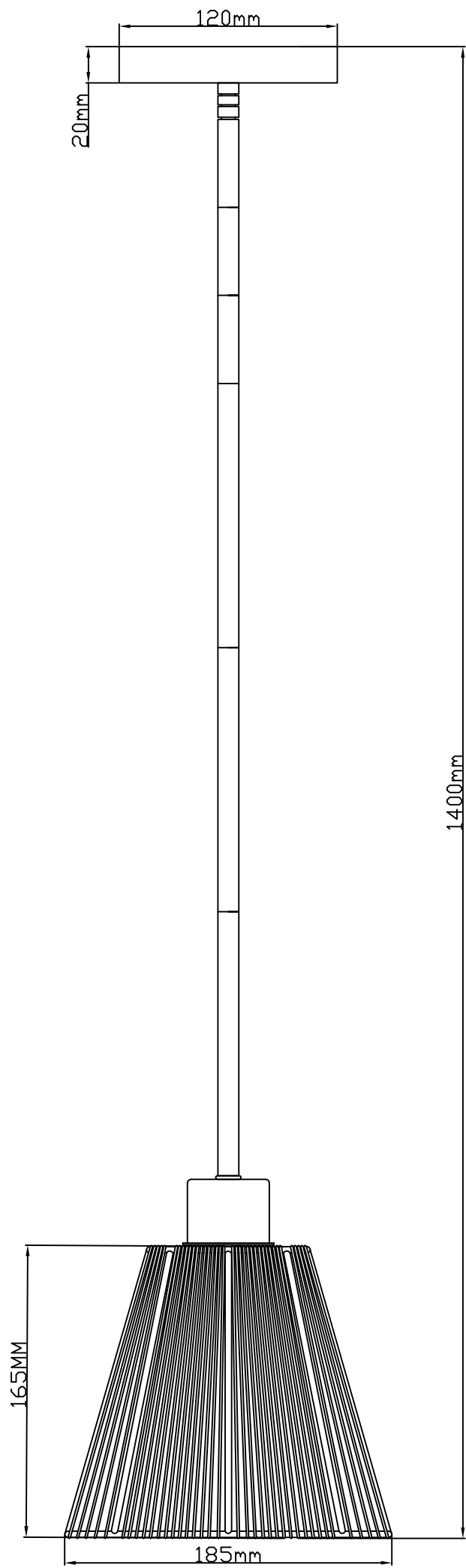


Screw the screw into the mounting board, and secure the light to the mounting board.



⑤

Installing bulb





**Parrot Uncle**

MADE IN CHINA