

WATERJET installation Guide



Easily install the WATERJET bidet by yourself!

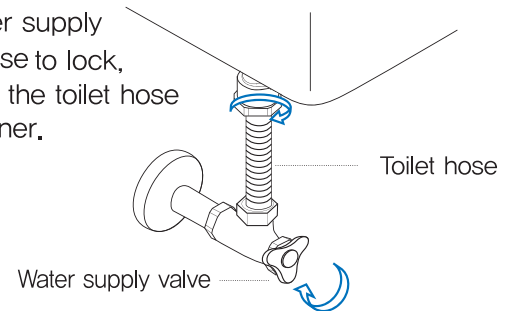
1 Remove the existing toilet seat.

- Unfasten the nut and remove the toilet seat.
- Save the old toilet seat lid and nuts for reinstallation later.



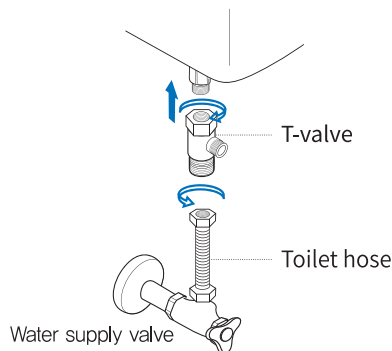
2 Separate water supply hose.

- Turn the water supply valve clockwise to lock, and separate the toilet hose using a spanner.



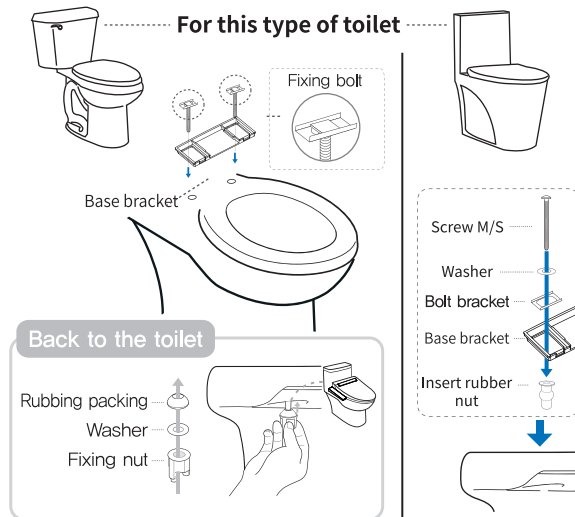
3 Connect the T-valve to the toilet and toilet hose

- Place the T-valve between the toilet and the toilet hose.



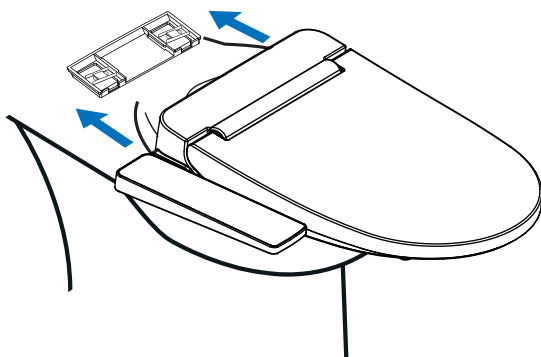
4 Install the base bracket.

- Place the fixing bolt on the base bracket.
- Align the front of the bidet body and the front of the toilet before fastening the nuts.



5 Install the bidet and secure the remote control holder

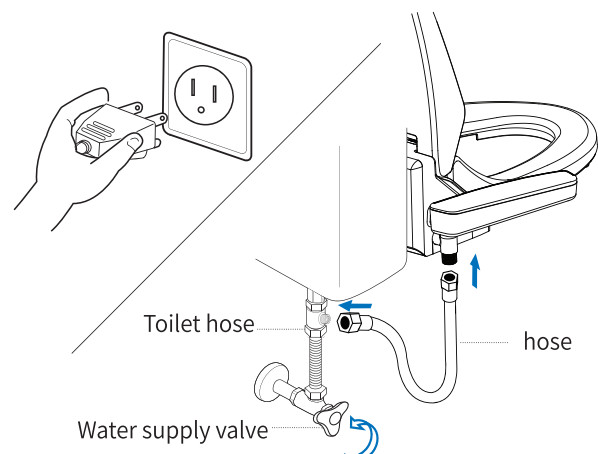
- Slide the bidet and install it



- Secure the remote control holder to the wall with screws or peel off the double-sided tape sticker on the back of the remote

6 Connect the hose and turn on the water

- Connect the hose to the T-valve and the bidet
- Turn the water supply valve counterclockwise to allow water flow
- Connect the outlet



Thank you for purchasing VOVO product.

We are here to help and improve your satisfaction.

Please allow us the opportunity to assist you to maximize your satisfaction.

Please contact us at: TEL. +1-888-601-0177 WEB. www.vovousa.com E-MAIL : support@vovousa.com

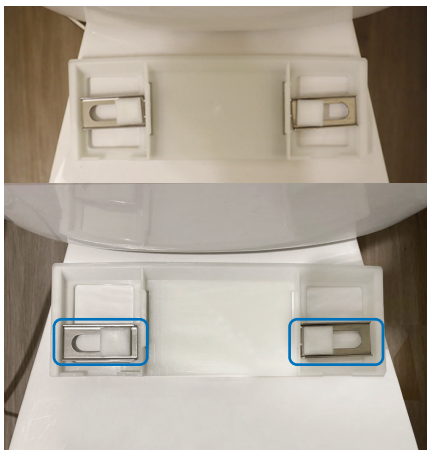
Additional installation Guide

Adjustment method using gap plate between pottery(toilet) and seat

When there is a gap between the inside of the seat and pottery(toilet)



Press this button to remove the bidet



1

Place the catch plate as shown



2

Combine the seat by pushing the plate



3

Minimize the gap between the bidet and the tank, and install the seat backward

When there is a gap between the outside of the seat and pottery(toilet)



Press this button to remove the bidet



1

Place the catch plate as shown



2

Combine the seat by pushing the plate



3

Install the seat as forward as possible