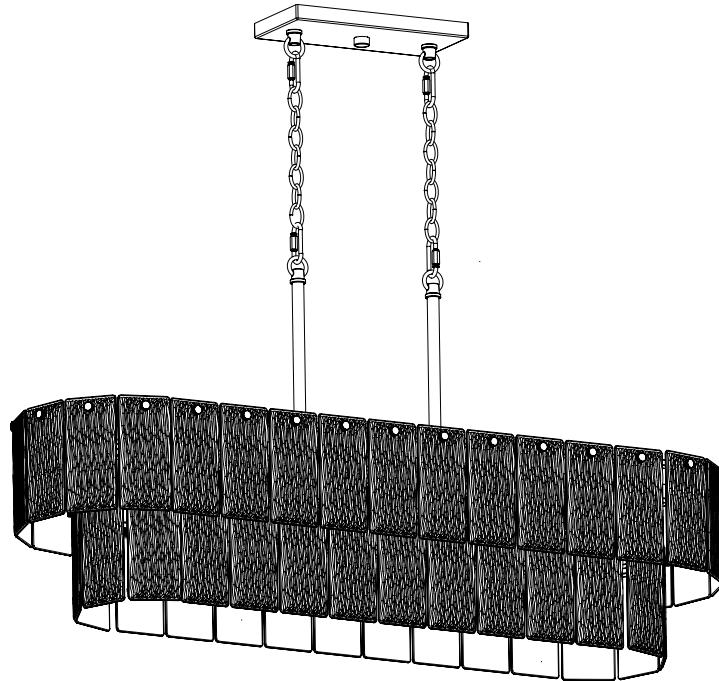



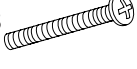
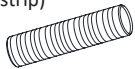

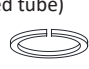
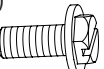


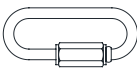
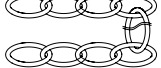

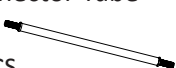

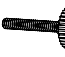



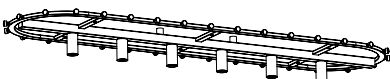
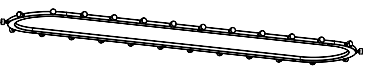
USE AND CARE MANUAL

6 LIGHT ISLAND PENDANT

Model number: 21503



Hardware (Parts are not to scale)

<p>H1 Mounting strip 1 pc</p> 	<p>H2 Outlet box screw 2 pcs</p> 	<p>H3 Threaded tube (Pre-assembled to mounting strip) 1 pc</p> 	<p>H4 Hex nut (Pre-assembled to threaded tube (one thick and one thin)) 2 pcs</p> 	<p>H5 Lock washer (Pre-assembled to threaded tube) 1 pc</p> 	<p>H6 Green ground screw (Pre-assembled to mounting strip) 1 pc</p> 
<p>H7 Wire connector 3 pcs</p> 	<p>H8 Finial (Pre-assembled to threaded tube) 1 pc</p> 	<p>H9 Quick link 4 pcs</p> 	<p>H10 Chain 2 pcs</p> 	<p>H11 Tube assembly 2 pcs</p> 	<p>H12 Double-Head Connector Tube 6 pcs</p> 
<p>H13 Cap nut (Pre-assembled to double-head connector tube) 12 pcs</p> 	<p>H14 Thumbscrew (Pre-assembled to ring) 58+2 pcs</p> 	<p>H15 Plastic washer (Pre-assembled to thumbscrew) 116+4 pcs</p> 	<p>H16 Glass plate 58+2 pcs</p> 	<p>H17 Canopy assembly 1 pc</p> 	
<p>H18 Fixture body 1 pc</p> 	<p>H19 Small ring 1 pc</p> 				

THIS MANUAL CONTAINS IMPORTANT SAFETY INFORMATION. PLEASE READ AND KEEP FOR FUTURE REFERENCE.

IMPORTANT SAFETY INFORMATION

- Please read and understand this entire manual before attempting to assemble, operate or install the product.
 - Turn off electricity at main fuse box (or circuit breaker box) before beginning installation by removing fuse (or switching off circuit breaker).
 - Be careful not to damage or cut the wire insulation (covering) during fixture installation. Do not permit wires to contact any surface having a sharp edge. To do so may damage or cut the wire insulation, which could cause serious injury or death from electric shock.
 - All electrical connections must be in agreement with local codes, ordinances or the national electric code (NEC). Contact your municipal building department to learn about your local codes, permits and/or inspections. If you do not have electrical wiring experience, refer to a do-it-yourself wiring handbook or have your fixture installed by a qualified licensed electrician.
 - Risk of fire – most dwellings built before 1985 have supply wire rated for 140°F/60°C. Consult a qualified electrician before installation.
 - Do not exceed the recommended wattage. Refer to the re-lamping label on the light socket for maximum wattage.
 - Do not replace a bulb when electrical outlet switch is turned to the “ON” position.
 - Do not immerse your lamp in water; doing so will damage the wire.
 - Keep materials that burn easily away from lighted bulbs.
 - Please make sure that the ceiling or wall can stand the weight of the lamp.
-

PREPARATION

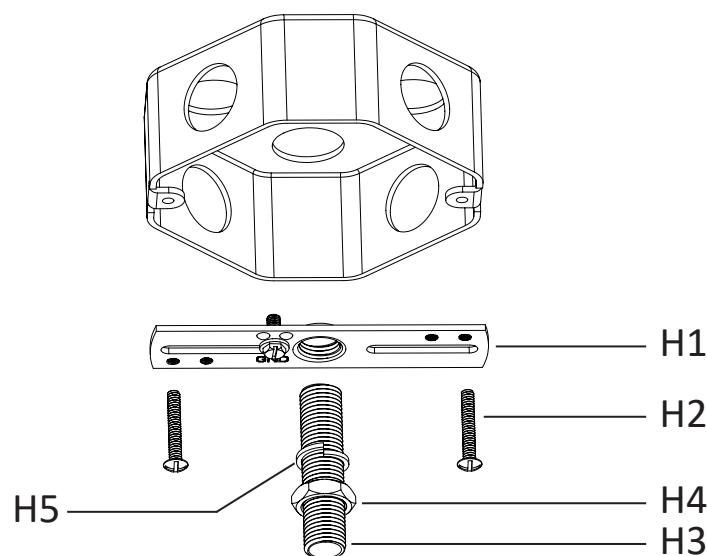
- Before beginning assembly, installation or operation of product, make sure all parts are present. Compare parts with package contents list and diagram on previous page. If any part is missing or damaged, do not attempt to assemble, install or operate the product. Contact customer service for replacement parts.
 - Tools required for assembly (not included): flathead screwdriver, phillips screwdriver, pliers, electrical tape, wire cutters, safety glasses, ladder, wire stripper.
-

INSTALLATION

1 Installing the mounting strip

- Fasten the mounting strip (H1) onto the outlet box (not provided) using two outlet box screws (H2). Screw the threaded tube (H3) into the mounting strip (H1). Using the lock washer (H5) and thick hex nut (H4), secure the threaded tube (H3) in place. Keep the thin hex nut (H4) and the finial (H8) for later use.

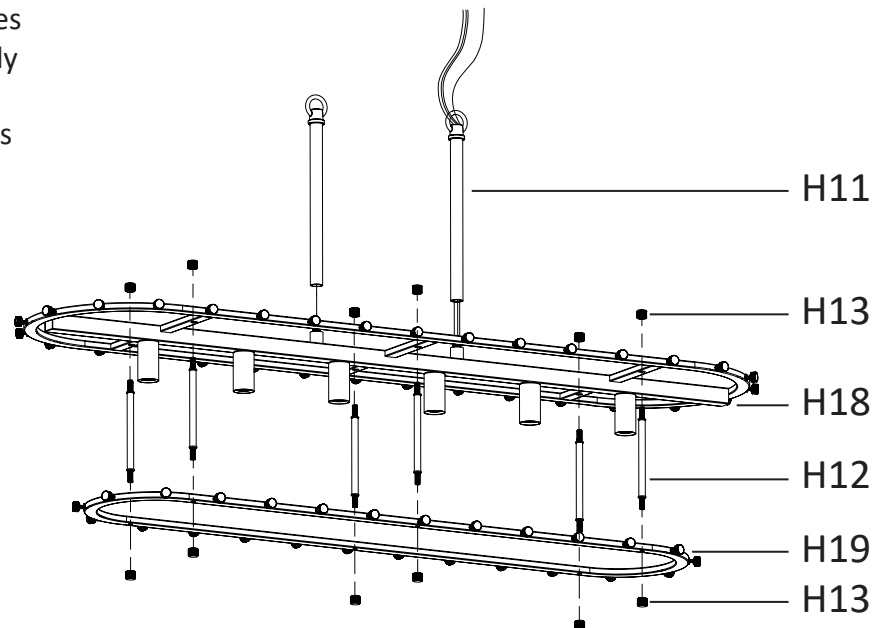
NOTE: This threaded tube (H3) should extend long enough to protrude through the canopy when it is mounted. (Adjust as needed.)



INSTALLATION (continued)

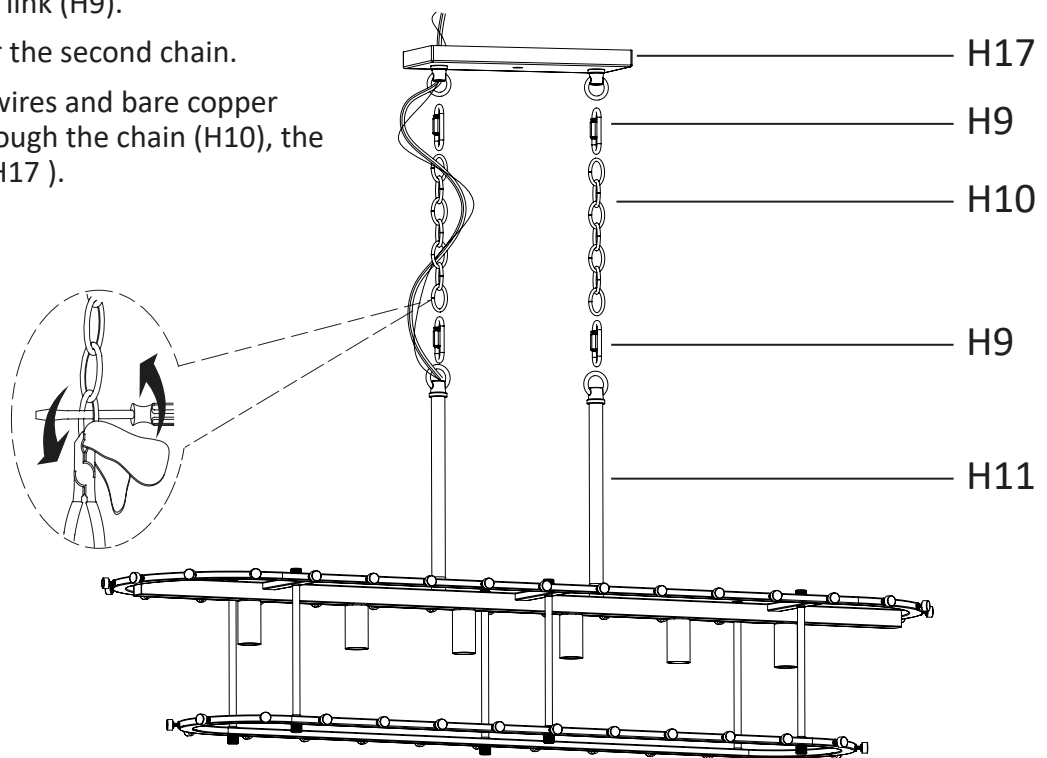
2 Assembling the fixture body

- Unscrew the cap nuts (H13) from the double-head connector tubes (H12).
- Insert the double-head connector tubes (H12) into the holes on the fixture body (H18) and the small ring (H19), then secure them with the cap nuts (H13) as shown in the diagram.
- Guide the fixture wire with the bare copper ground wire through one of the tube assembly (H11) and tighten the two tube assemblies (H11) onto the fixture body (H18) as shown in the diagram.



3 Assembling the chain and canopy assembly to the fixture body

- Adjust the chain (H10) to the desired height by spreading the end link of the chain (H10) apart. Use a pair of pliers and a screwdriver (not included). Wrap a soft cloth around the pliers to protect the chain's finish.
- Open one quick link (H9), connect chain (H10) to the loop of the tube assembly (H11) and close the quick link (H9).
- Open other quick link (H9), connect other end of chain (H10) to the loop of the canopy assembly (H17) and close the quick link (H9).
- Repeat this step for the second chain.
- Weave the fixture wires and bare copper ground wire up through the chain (H10), the canopy assembly (H17).



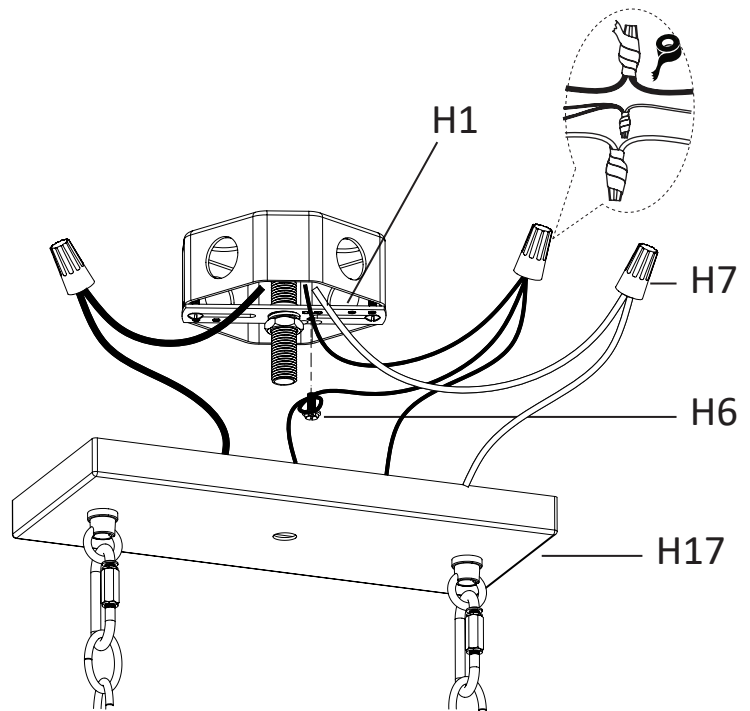
INSTALLATION (continued)

4 Making the electrical connections

- Strip 3/4 in. of insulation from the wire ends.
- Connect the glossy live wire from the fixture to the black wire from the outlet box, and the rough neutral wire from the fixture to the white wire from the outlet box.
- Connect the bare copper ground wire from the fixture to the bare copper ground wire from the canopy assembly (H17) and the ground wire from the outlet box. The bare copper ground wire from the fixture must loop one turn the head of the green screw (H6) on the mounting strip (H1) before it is connected to the ground conductor of the supply circuit.
- Cover the wires with wire connectors (H7). Tape the wire connectors (H7) and wires together, and carefully position all wires inside the outlet box.

NOTE: The glossy live wire has the text printed on it; the rough neutral wire has the ridge on it.

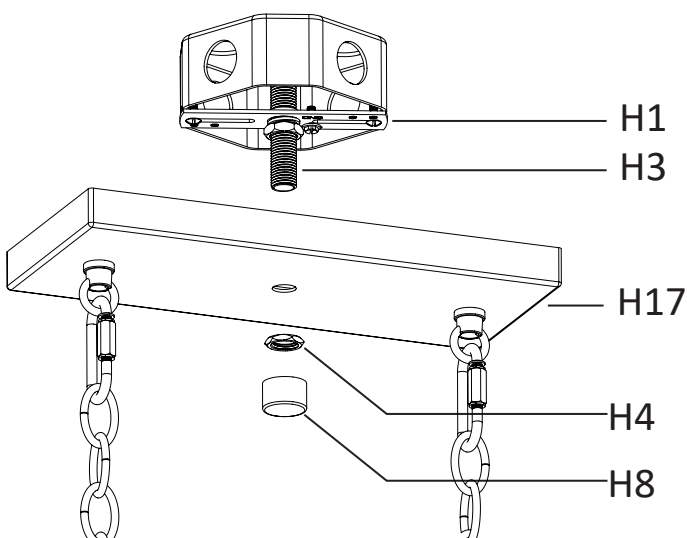
Note: Do not let go of the canopy assembly (H17) before the canopy assembly (H17) is installed on the mounting strip (H1).



5 Installing the canopy assembly to the outlet box

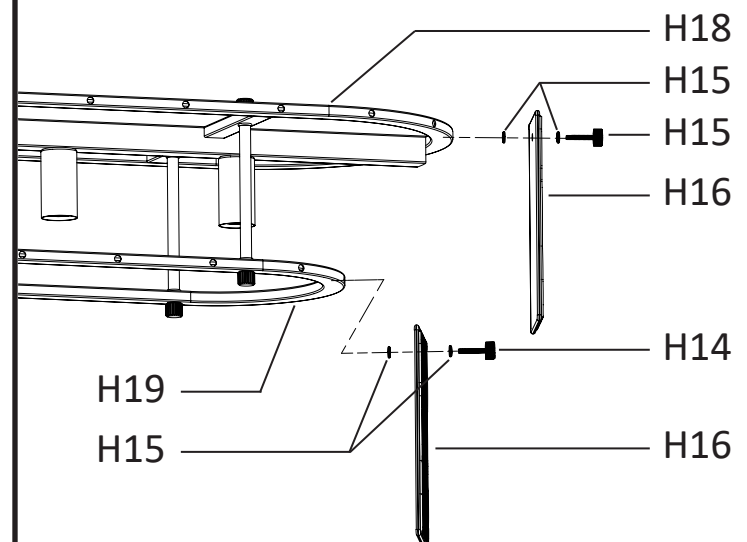
- Place the canopy assembly (H17) over the outlet box, let the threaded tube (H3) come through the holes of the canopy assembly (H17), then tighten the thin hex nut (H4) and finial (H8) to the protruding threaded tube (H3) on mounting strip (H1) until the canopy assembly (H17) is held firmly against the ceiling.

Note: Do not let go of the canopy assembly (H17) before the canopy assembly (H17) is installed on the mounting strip (H1).



6 Assembling the glass plates to lamp

- Unscrew the thumbscrews (H14) from the fixture body (H18) and the small ring (H19).
- Remove one plastic washer (H15) from the thumbscrew (H14).
- Slide the screw of the thumbscrew (H14) through the hole of the glass plate (H16) and the previously removed plastic washer (H15). Then secure the thumbscrew (H14) to the fixture body (H18) as shown.
- Repeat this step to secure the glass plates to the fixture body (H18) and the small ring (H19).

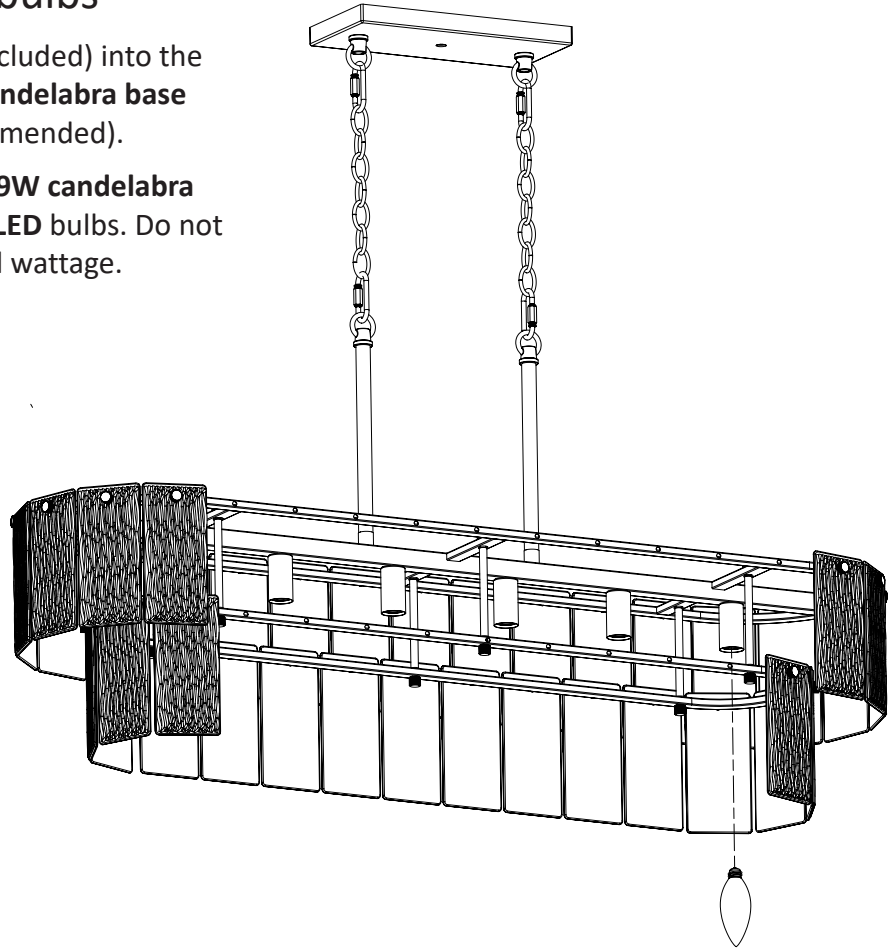


INSTALLATION (continued)

7 Installing the light bulbs

- Install the light bulbs (not included) into the socket. Use six **MAX 60W candelabra base (E12) type "B"** bulbs (recommended).

NOTE: You can also use six **MAX 9W candelabra base (E12) self-ballasted LED** bulbs. Do not exceed the recommended wattage.



CLEANING

- Do not use any cleaners with chemicals, solvents, or harsh abrasives. Use only a dry, soft cloth to dust or wipe carefully.
- To clean the fixture, disconnect the power by turning off the circuit breaker or by removing the fuse at the fuse box. Use a dry or slightly dampened, clean cloth to wipe the exterior surface of the fixture.

TROUBLESHOOTING

- The light does not come on at all:
 - a) Check whether the bulbs were burned out.
 - b) Make sure the wall switch and circuit breaker are on.
 - c) Make sure the wiring is correct.
 - d) Make sure the circuit breaker is set in the "ON" position.
- Fuse blows or circuit trips when light is turned on.
 - a) Check for crossed wires, ensure wiring is correct.