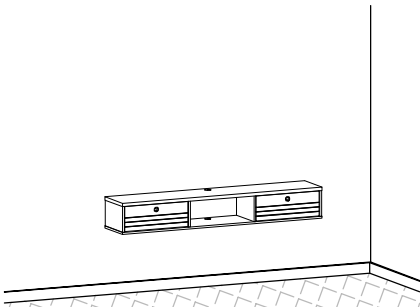




MANHATTAN  
COMFORT

888-230-2225

help@manhattancomfort.com



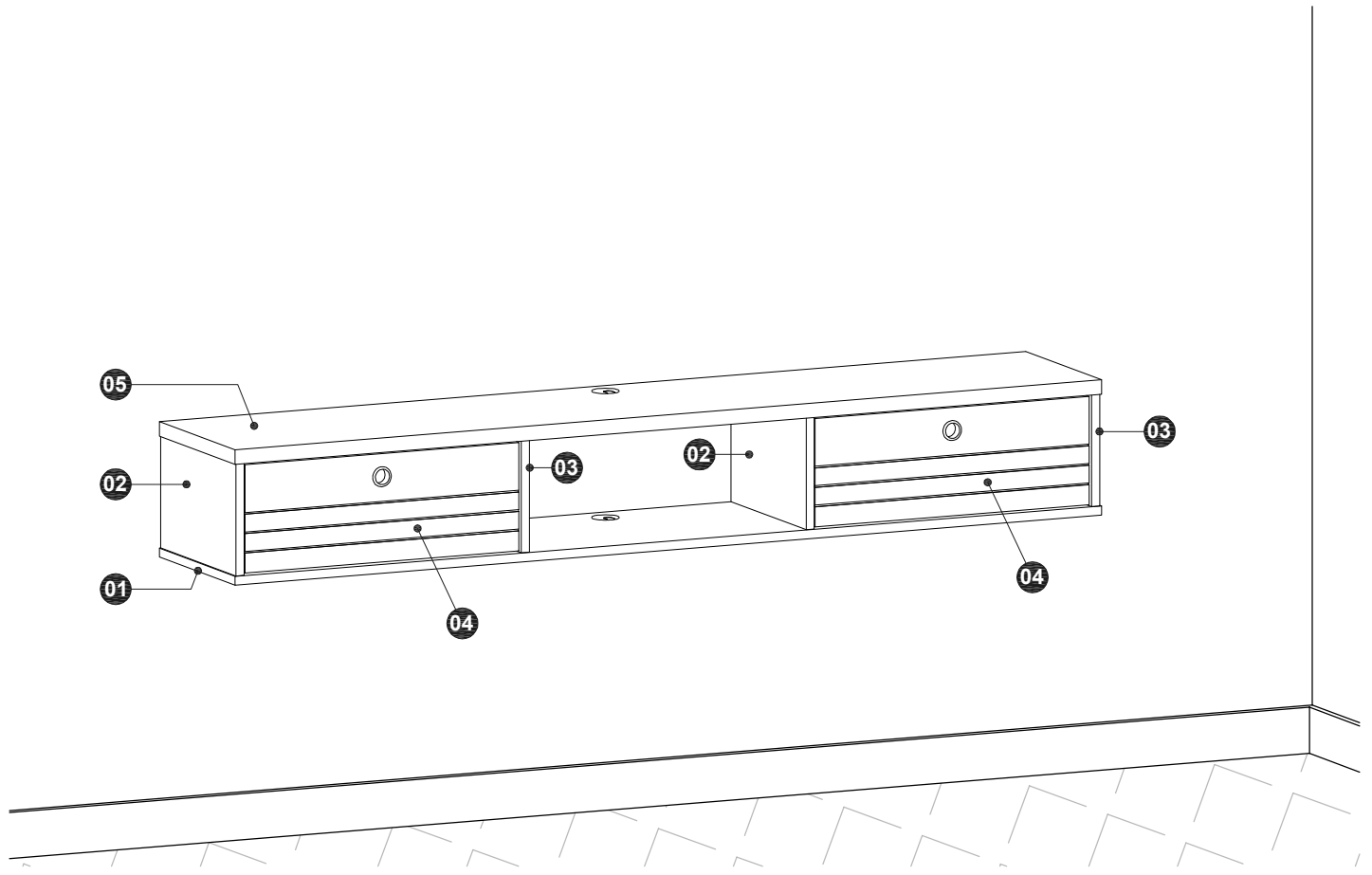
# Liberty Floating Panel

## 62.99

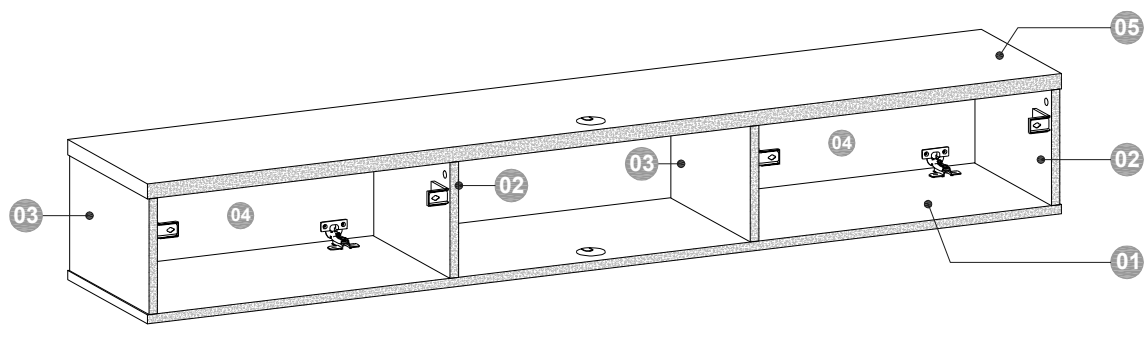
Model # 220BMC1, 220BMC12, 220BMC2, 220BMC21, 220BMC6,  
220BMC8, 220BMC9, 220BMC94



**INCLUDED IN THE PACKAGE**



**REAR VIEW**



n.° ID	Parts Identification (Description)	Quantity
01	Base	1
02	Left Side Panel	2
03	Right Side Panel	2
04	Door	2
05	Top Panel	1

## TOOLS NEEDED

Simple and phillips screwdriver.



Simple hammer.



Level indicator.



Drilling machine and electric screwdriver with drill bit Ø1/2 inch and phillips tips.



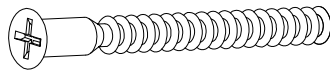
**!** **IMPORTANT!** Two people are recommended to assemble and install this product.

## INCLUDED IN THE PACKAGE

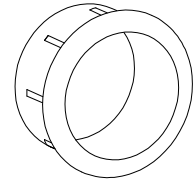
**A** 16x



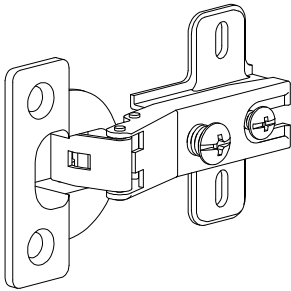
**B** 8x



**C** 2x



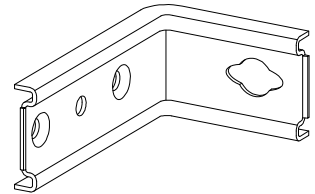
**D** 4x



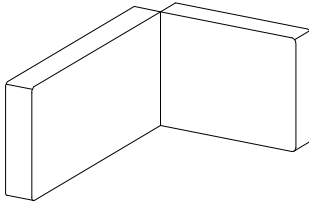
**E** 24x



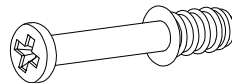
**F** 4x



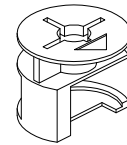
**G** 4x



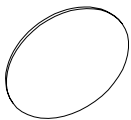
**H** 8x



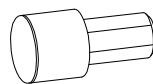
**I** 8x



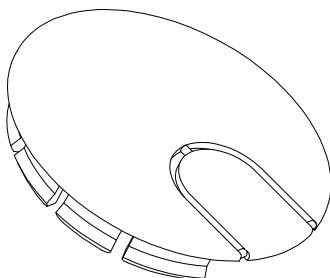
**J** 8x



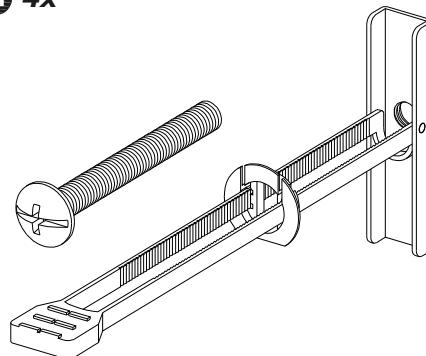
**K** 2x



**L** 2x



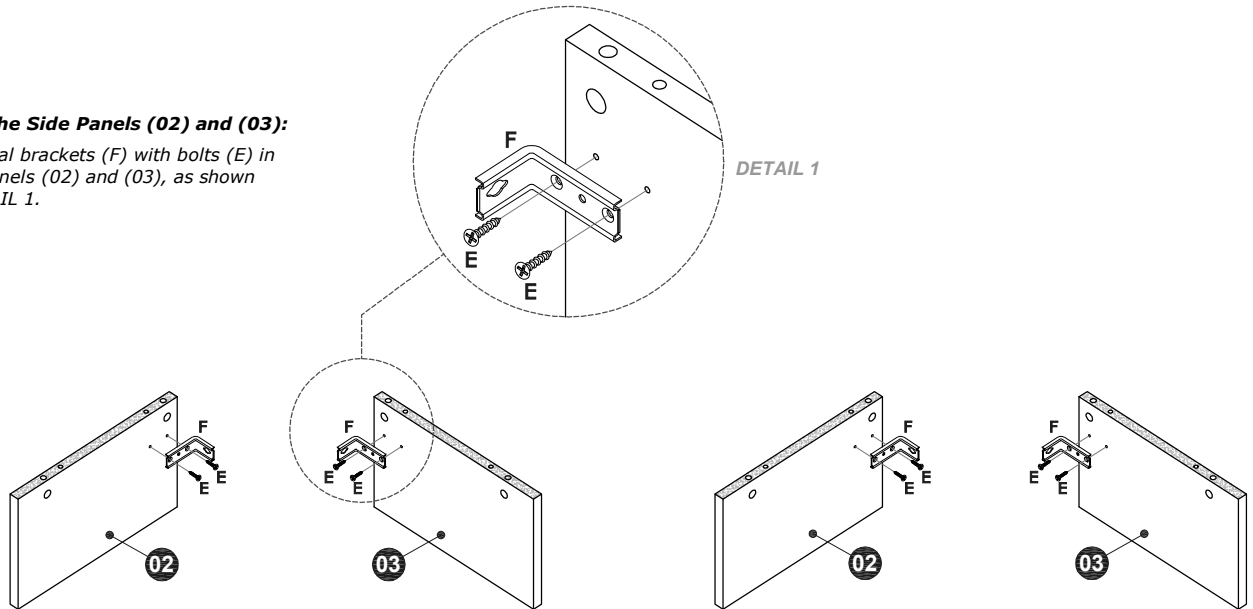
**M** 4x



## STEP 1

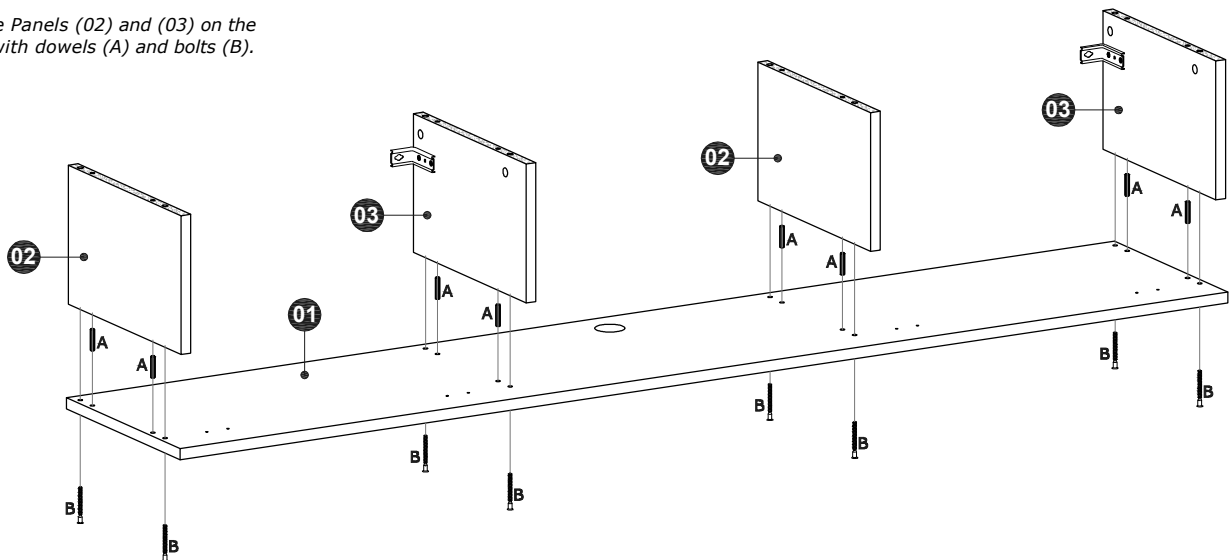
### Preparing the Side Panels (02) and (03):

- Fix the metal brackets (F) with bolts (E) in the Side Panels (02) and (03), as shown in the DETAIL 1.



## STEP 2

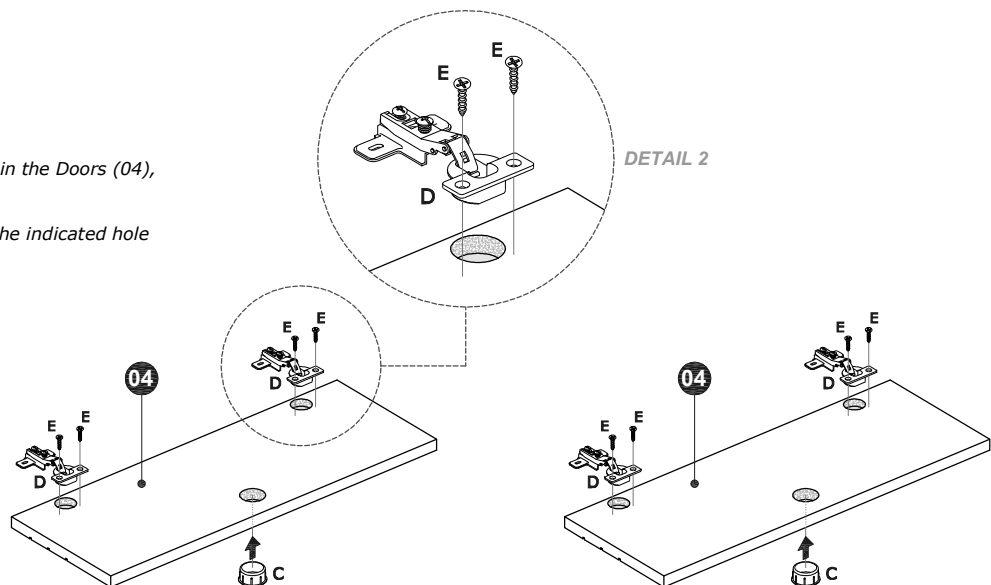
- Fix the Side Panels (02) and (03) on the Base (01) with dowels (A) and bolts (B).



## STEP 3

### Preparing the Doors (04):

- Fix the hinges (D) with bolts (E) in the Doors (04), as shown in the DETAIL 2.
- Apply the plastic ring (C) inside the indicated hole in each of the Doors (04).

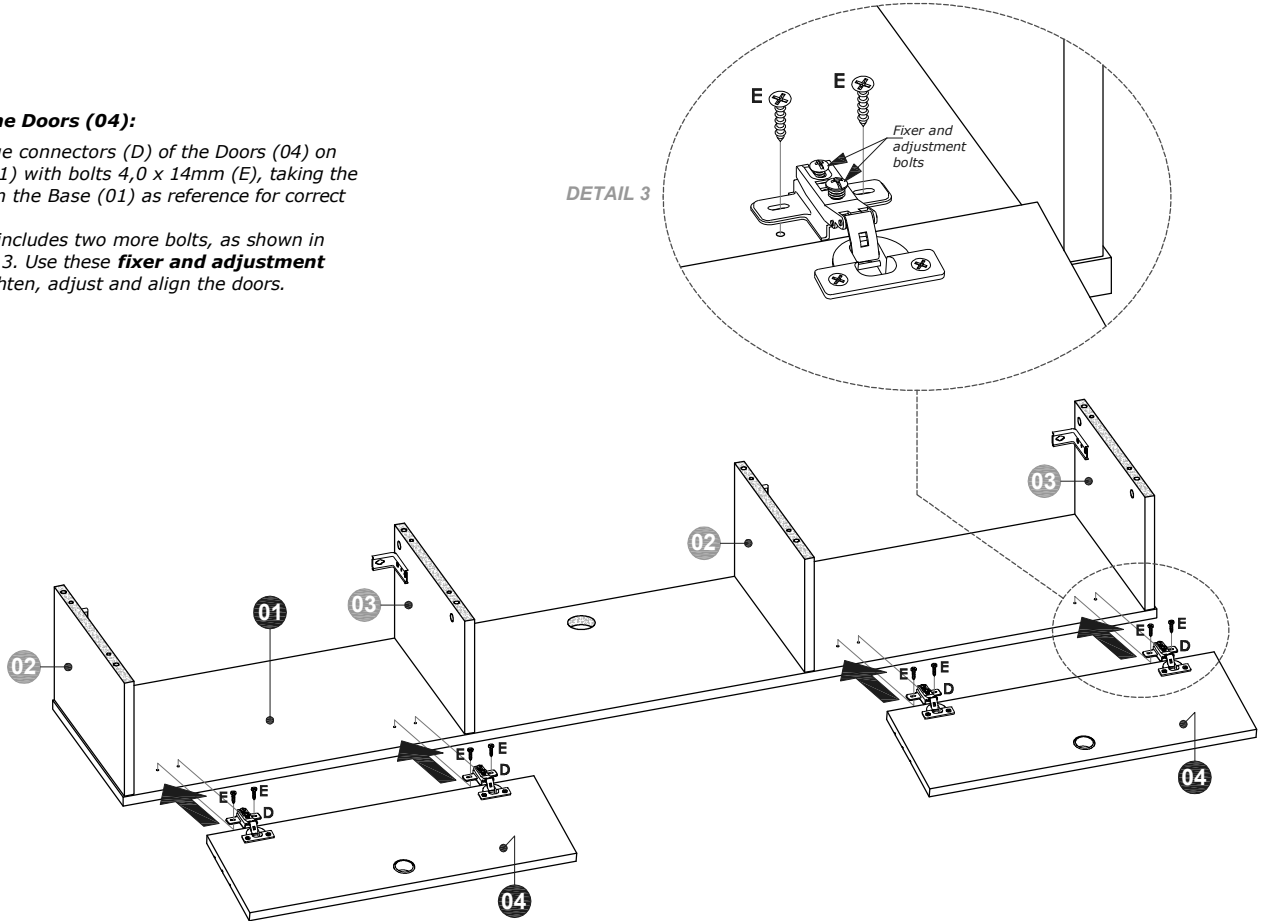


## STEP 4

### Installing the Doors (04):

- Fix the hinge connectors (D) of the Doors (04) on the Base (01) with bolts 4,0 x 14mm (E), taking the markings on the Base (01) as reference for correct positioning.

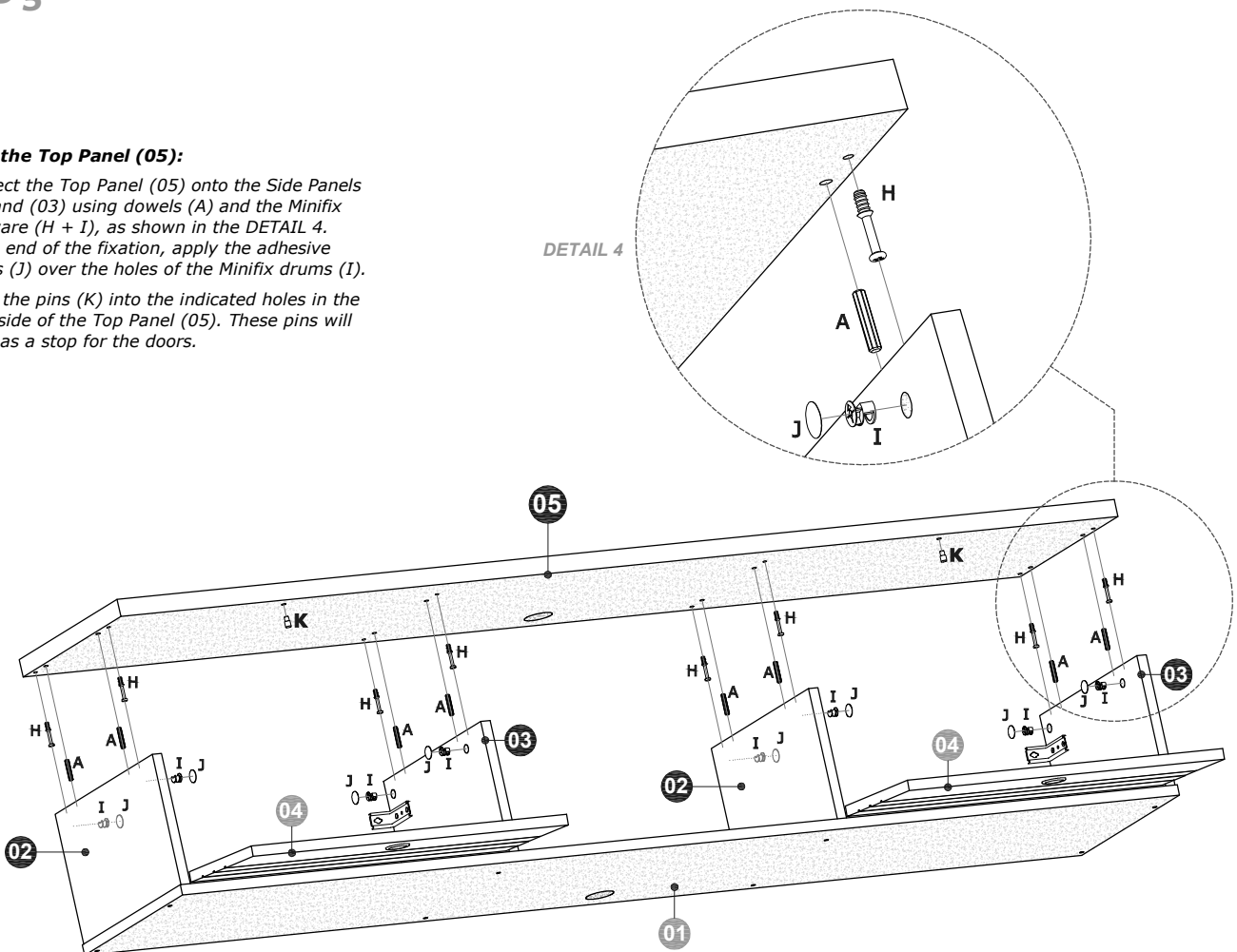
The hinges includes two more bolts, as shown in the DETAIL 3. Use these **fixer and adjustment bolts** to tighten, adjust and align the doors.



## STEP 5

### Fixing the Top Panel (05):

- Connect the Top Panel (05) onto the Side Panels (02) and (03) using dowels (A) and the Minifix hardware (H + I), as shown in the DETAIL 4. At the end of the fixation, apply the adhesive covers (J) over the holes of the Minifix drums (I).
- Apply the pins (K) into the indicated holes in the underside of the Top Panel (05). These pins will serve as a stop for the doors.



## STEP 6

### ATTENTION!

Before installing the furniture, check the conditions of the wall for strength to properly support and anchor the weight of the suspended furniture, including equipments and objects that may be installed on the shelves.

The Kap Toggle bushings (M) supplied with the product are for hollow walls or dry wall type. Check the type of the wall on which the installation will be made and, if necessary, look for more suitable bushings or devices. To mark the position and fix the furniture on the wall, check the level of the parts.

- Place the already assembled furniture on the site and at the desired height for the installation and mark the position of the holes on the wall to fixation through the four metal brackets (F), as shown in the drawing and using the brackets themselves as reference.
- With drilling machine and drill bit  $\varnothing 1/2$  inch, make the four holes in the wall.
- Apply the bushings (M) into the four holes in the wall.
- Reposition the furniture in the place and apply the bolts  $1/4 \times 2.1/4$  inches as shown in the drawing, for fixing the brackets (F) at the bushings (M) already applied on the wall.
- At the end of the fixation, apply the plastic covers (G) over the metal brackets (F).
- Insert the plastic covers (L) into the holes for pass wires in the Base (01) and in the Top Panel (05).

