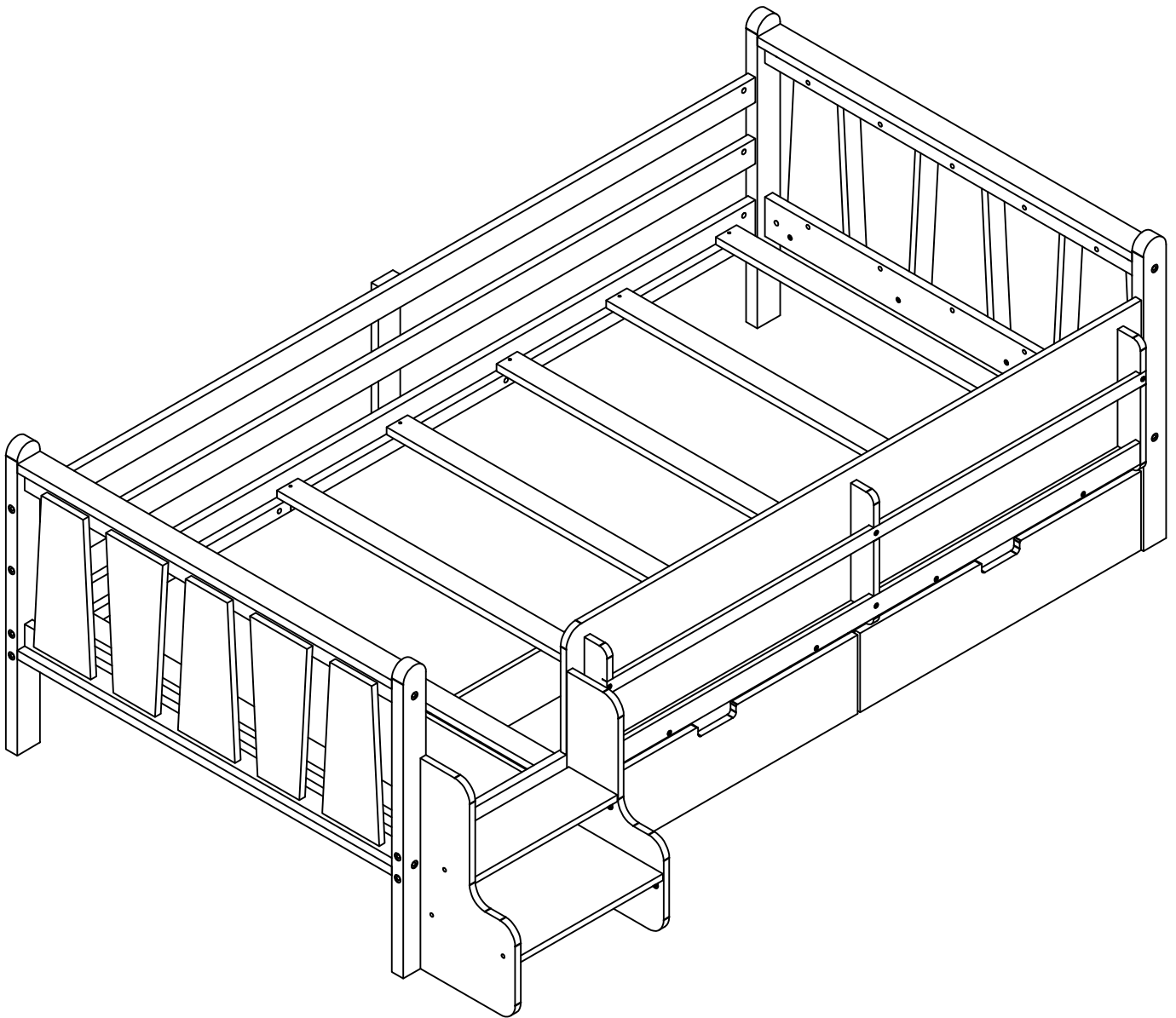


ASSEMBLY INSTRUCTION
SKU CODE: BW00478
TWIN PLATFORM BED WITH DRAWER



Bed type

Length

Width

Thickness

Twin Standard

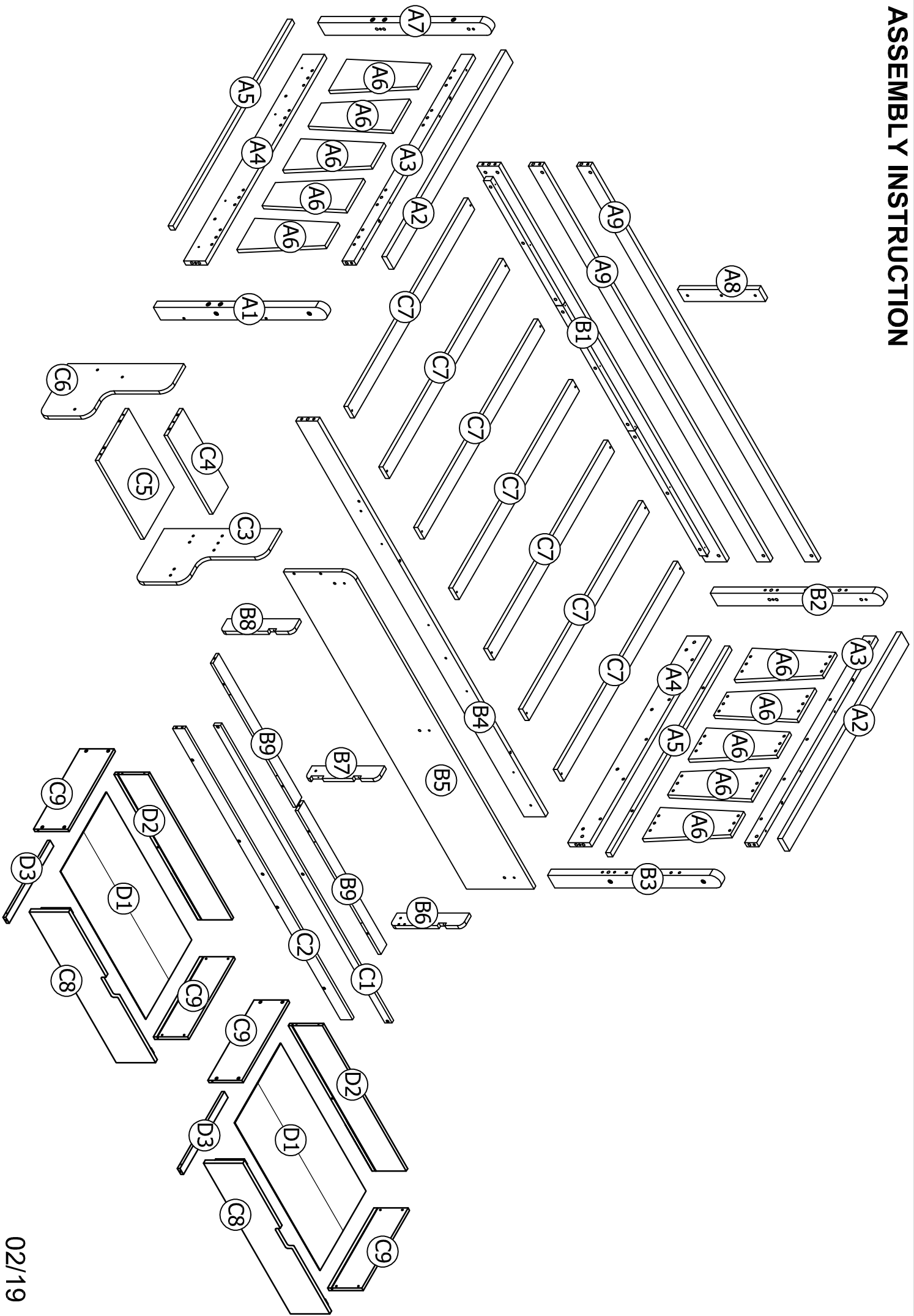
75"

38 - 38 ¹/₂"


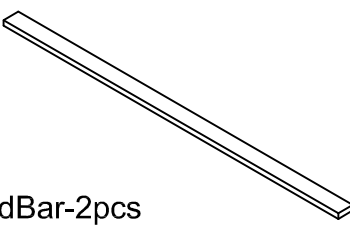
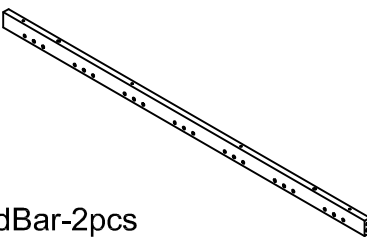
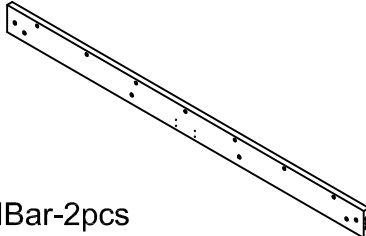
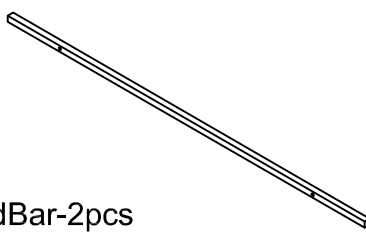



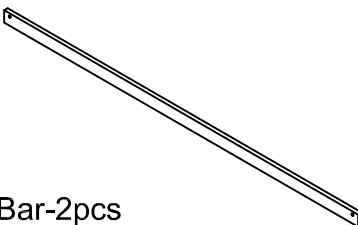
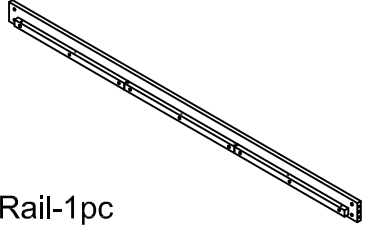


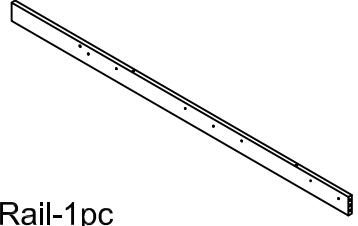
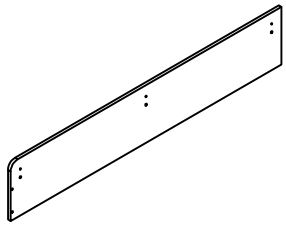



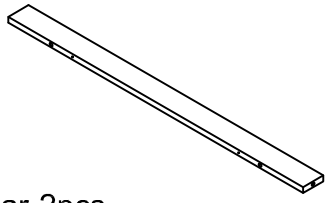
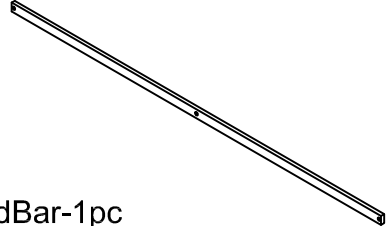
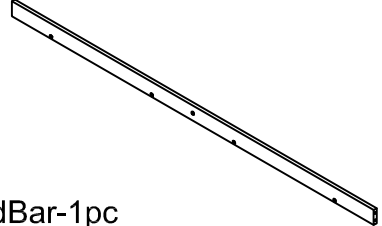
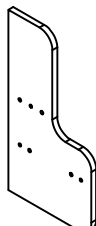
6" max

This set is included 1 boxes if don't receive full 1 boxes please contact our customer service team.

ASSEMBLY INSTRUCTION

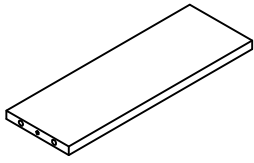


Part List (BW00478)

<p>A1</p>  <p>Leg-1pc</p>	<p>A2</p>  <p>WoodBar-2pcs</p>	<p>A3</p>  <p>WoodBar-2pcs</p>
<p>A4</p>  <p>WoodBar-2pcs</p>	<p>A5</p>  <p>WoodBar-2pcs</p>	<p>A6</p>  <p>Panel-10pcs</p>
<p>A7</p>  <p>Leg-1pc</p>	<p>A8</p>  <p>WoodBar-1pc</p>	<p>A9</p>  <p>WoodBar-2pcs</p>
<p>B1</p>  <p>Side Rail-1pc</p>	<p>B2</p>  <p>Leg-1pc</p>	<p>B3</p>  <p>Leg-1pc</p>
<p>B4</p>  <p>Side Rail-1pc</p>	<p>B5</p>  <p>Panel-1pc</p>	<p>B6</p>  <p>WoodBar-1pc</p>
<p>B7</p>  <p>WoodBar-1pc</p>	<p>B8</p>  <p>WoodBar-1pc</p>	<p>B9</p>  <p>WoodBar-2pcs</p>
<p>C1</p>  <p>WoodBar-1pc</p>	<p>C2</p>  <p>WoodBar-1pc</p>	<p>C3</p>  <p>Panel-1pc</p>

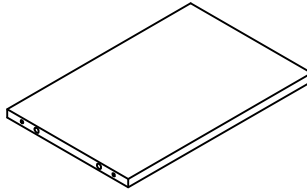
Part List (BW00478)

C4



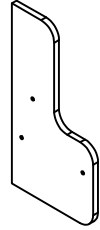
Panel-1pc

C5



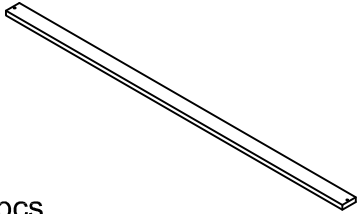
Panel-1pc

C6



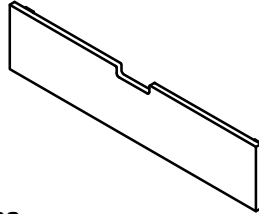
Panel-1pc

C7



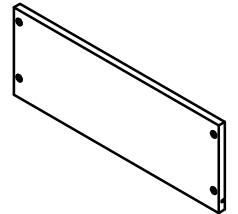
Slats-7pcs

C8



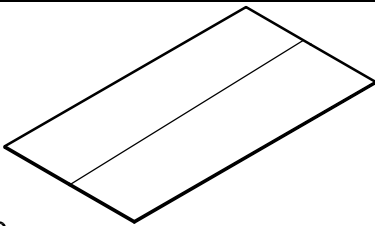
Panel-2pcs

C9



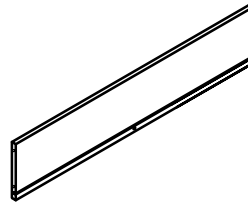
Panel-4pcs

D1



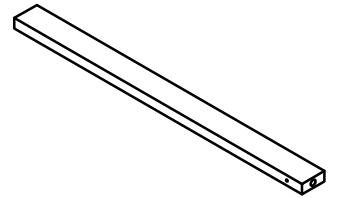
Panel-2pcs

D2



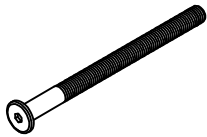
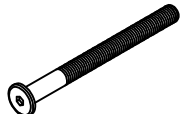


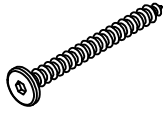
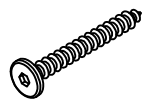
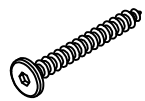
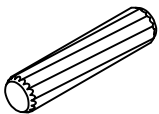
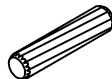

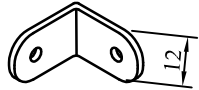

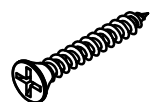

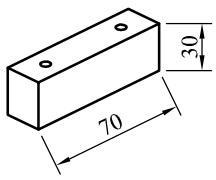
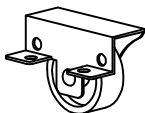

Panel-2pcs

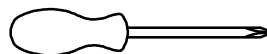
D3



WoodBar-2pcs

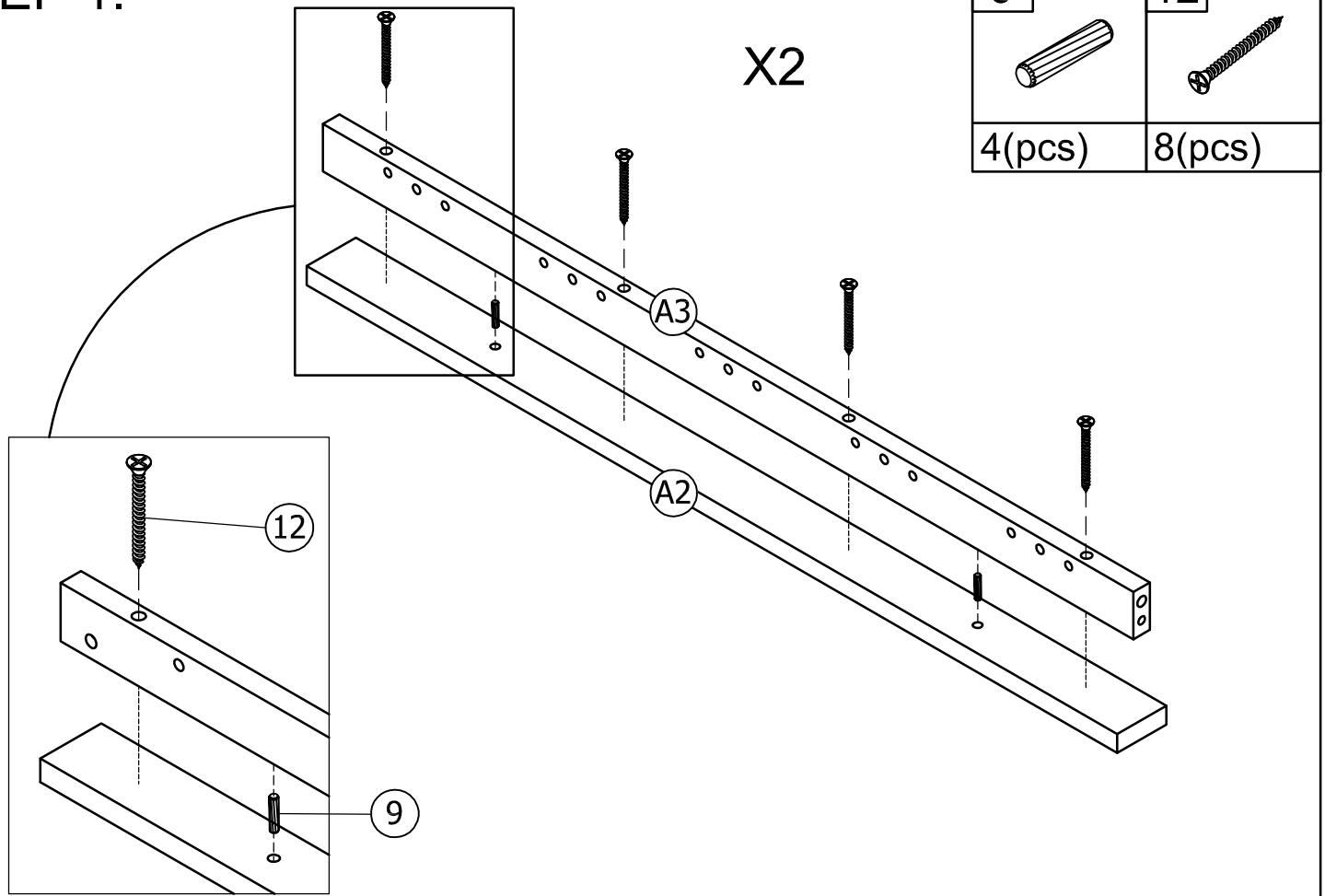
Hardware List (BW00478)

<p>1</p>  <p>Bolts Ø1/4" x 110 mm -13pcs</p>	<p>2</p>  <p>Bolts Ø1/4" x 80 mm -8pcs</p>	<p>3</p>  <p>Bolts Ø1/4" x 30 mm -23pcs</p>
<p>4</p>  <p>Ø1/4" x 13 mm Horizontal-Hole bolts -21 pcs</p>	<p>5</p>  <p>Screws 1/4" x60mm- 2pcs</p>	<p>6</p>  <p>Screws 1/4" x40mm- 9pcs</p>
<p>7</p>  <p>Screws 1/4" x30mm- 3pcs</p>	<p>8</p>  <p>Wood dowel Ø10 x 40 mm -20pcs</p>	<p>9</p>  <p>Wood dowel Ø8 x 25 mm - 60pcs</p>
<p>10</p>  <p>Wood dowel Ø6 x 30 mm - 20pcs</p>	<p>11</p>  <p>Steel Bracket - 10pcs</p>	<p>12</p>  <p>Wood Screws M4 x 50mm- 8pcs</p>
<p>13</p>  <p>Wood Screws M4 x 30mm- 58pcs</p>	<p>14</p>  <p>Wood Screws M3.5 x15mm-52pcs</p>	<p>15</p>  <p>WoodBar-3pcs</p>
<p>16</p>  <p>Wheels -8pcs</p>	<p>17</p>  <p>Allen Key - 1pc</p>	

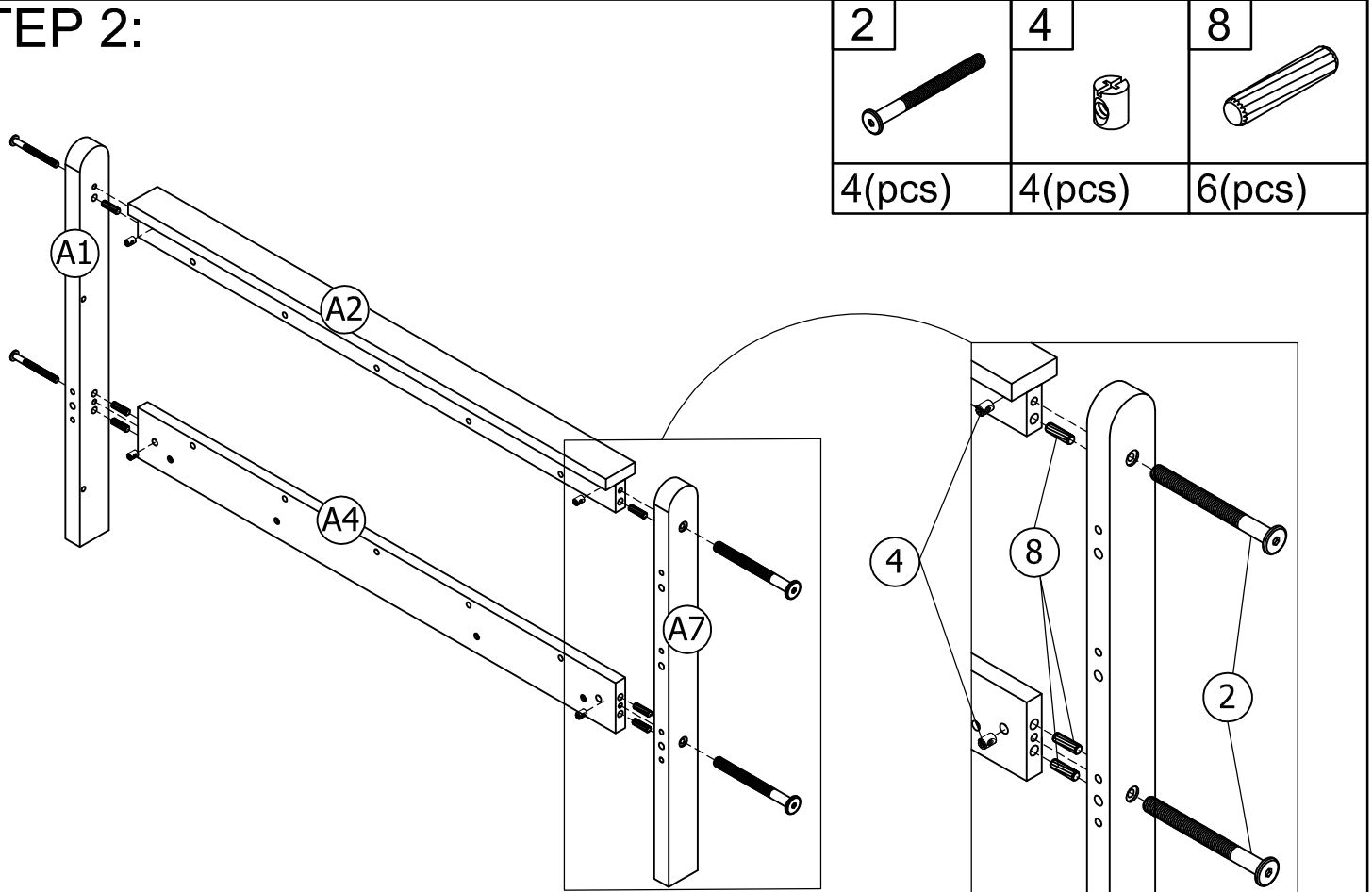


Assembly Tools Required (Not Included)

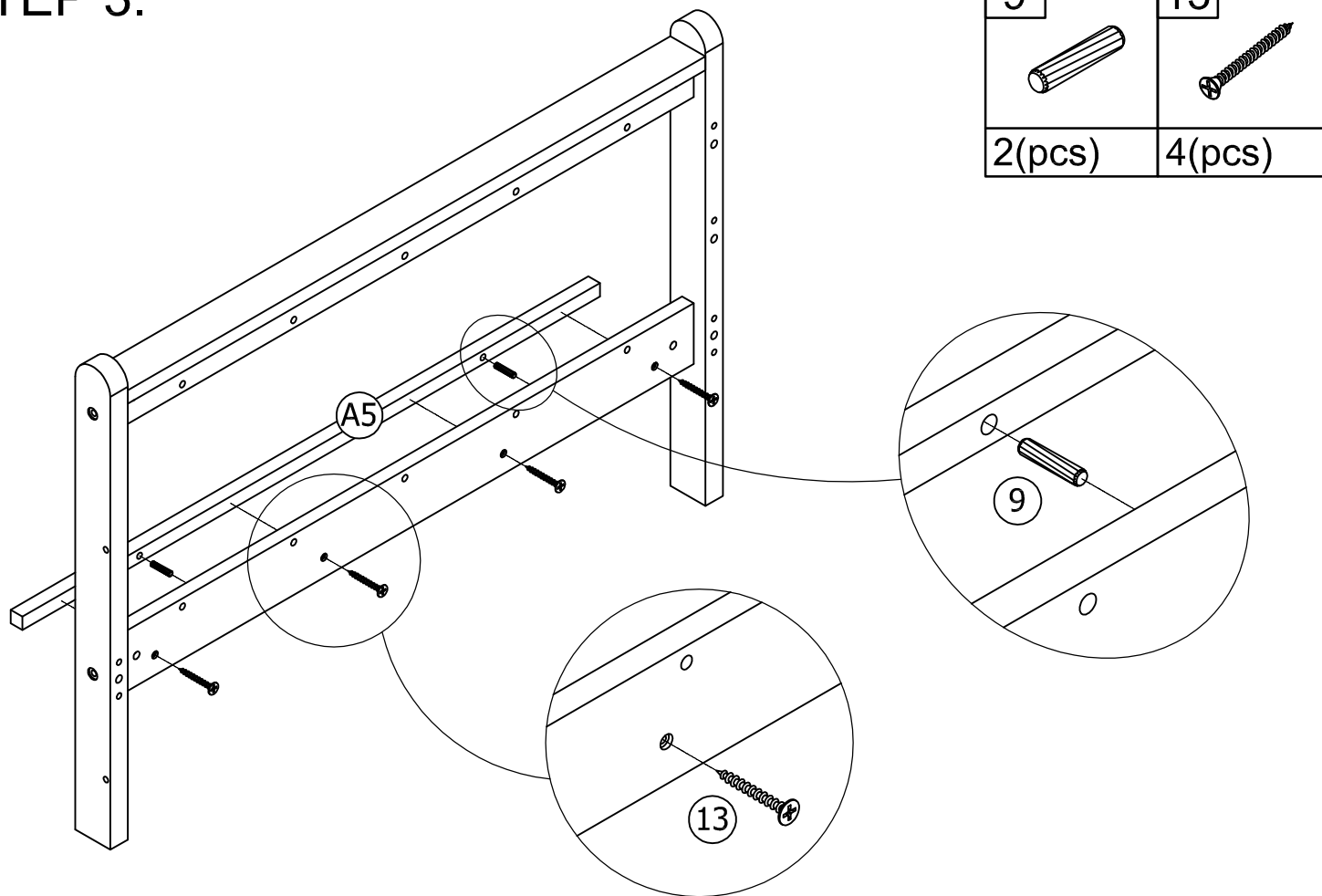
STEP 1:



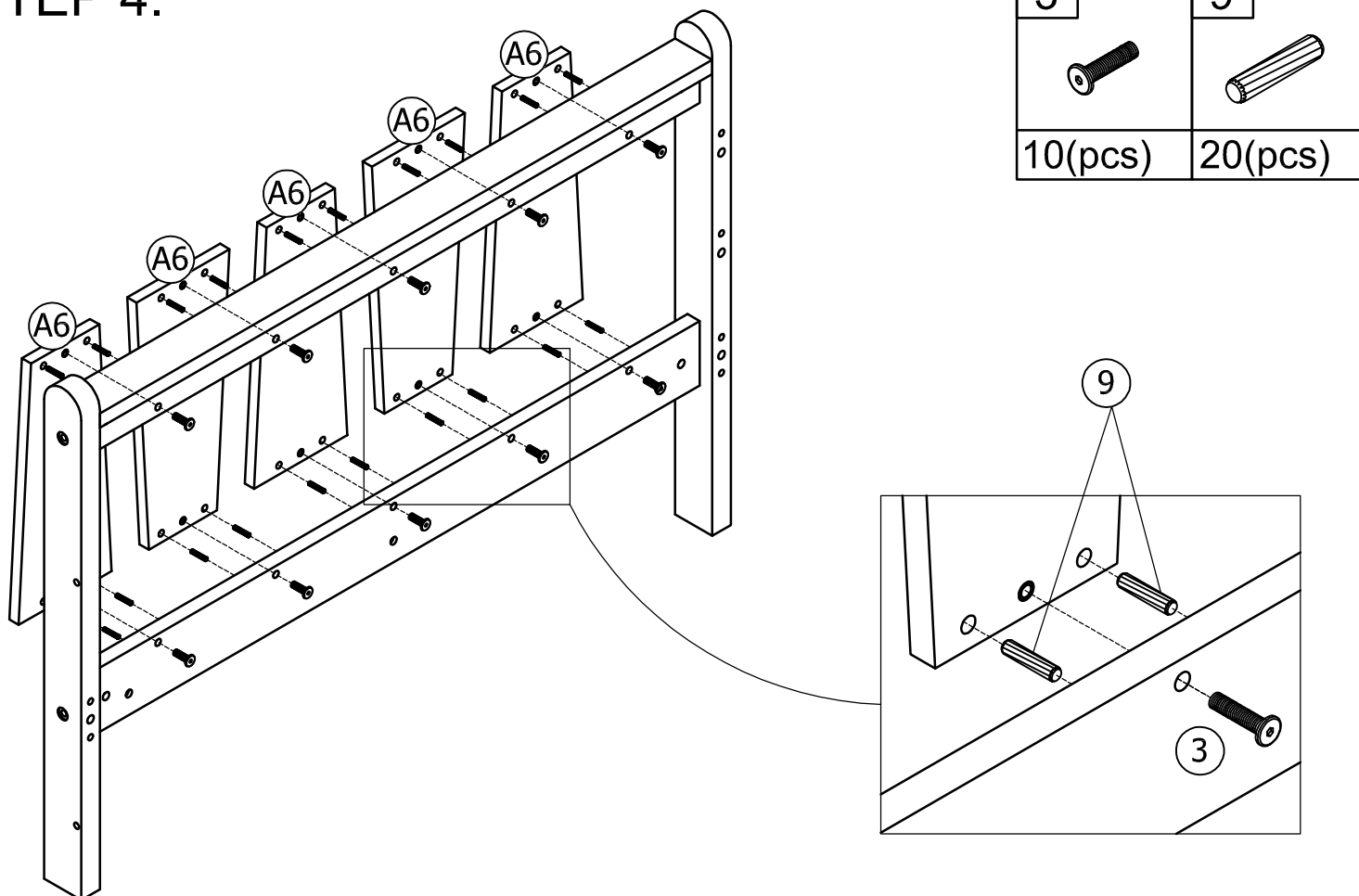
STEP 2:



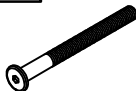

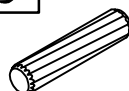
STEP 3:

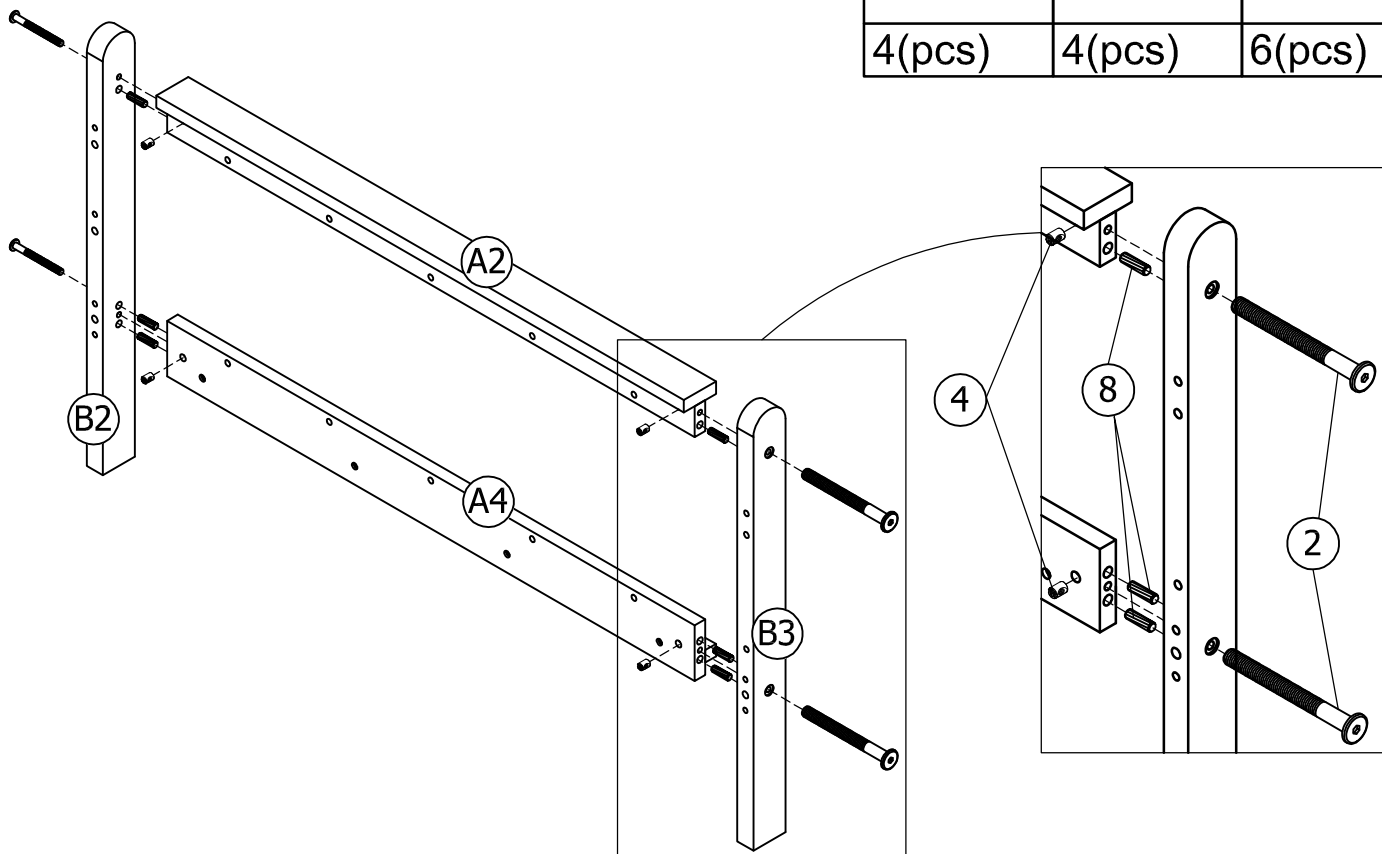


STEP 4:

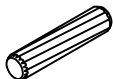



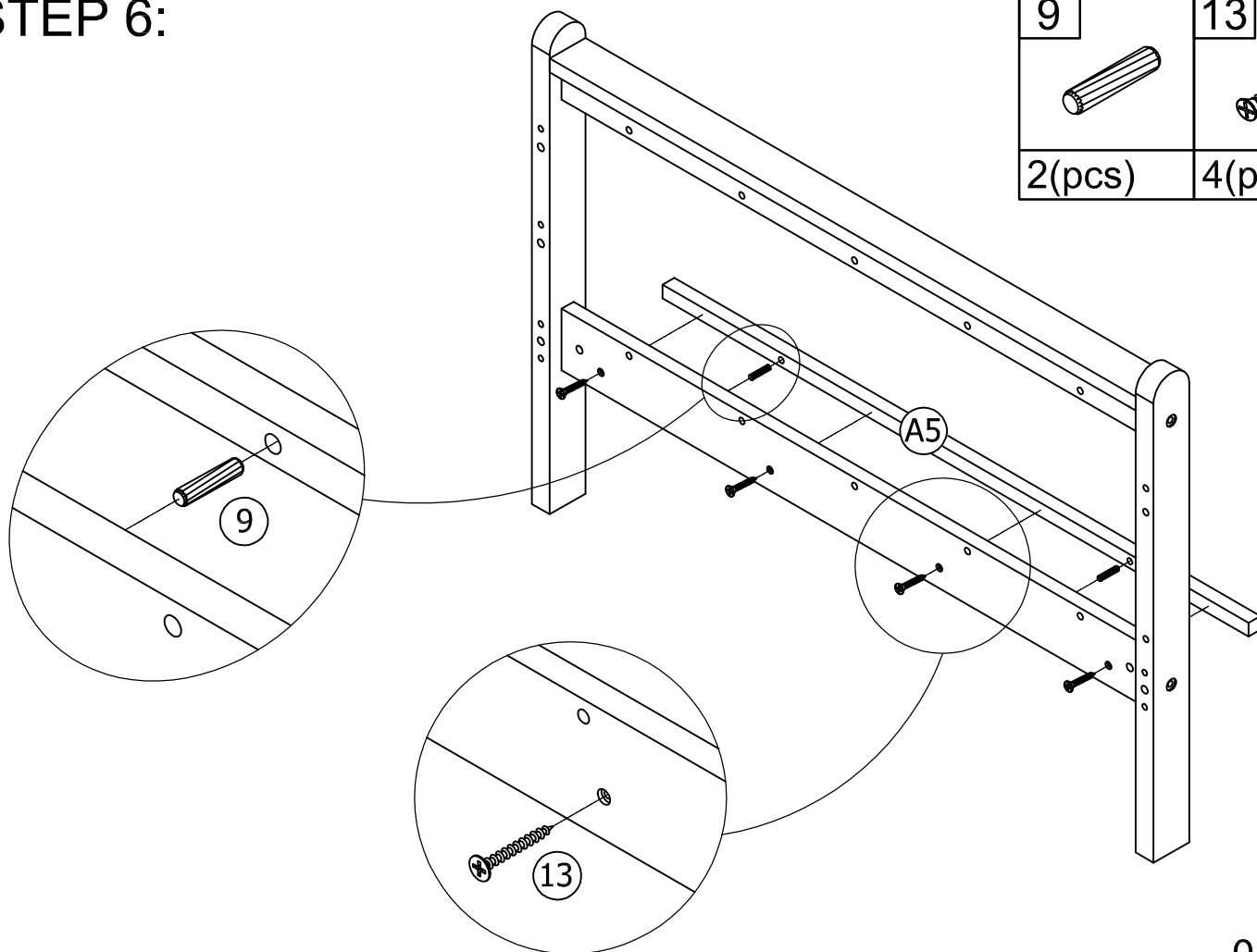
STEP 5:

2	4	8
		
4(pcs)	4(pcs)	6(pcs)

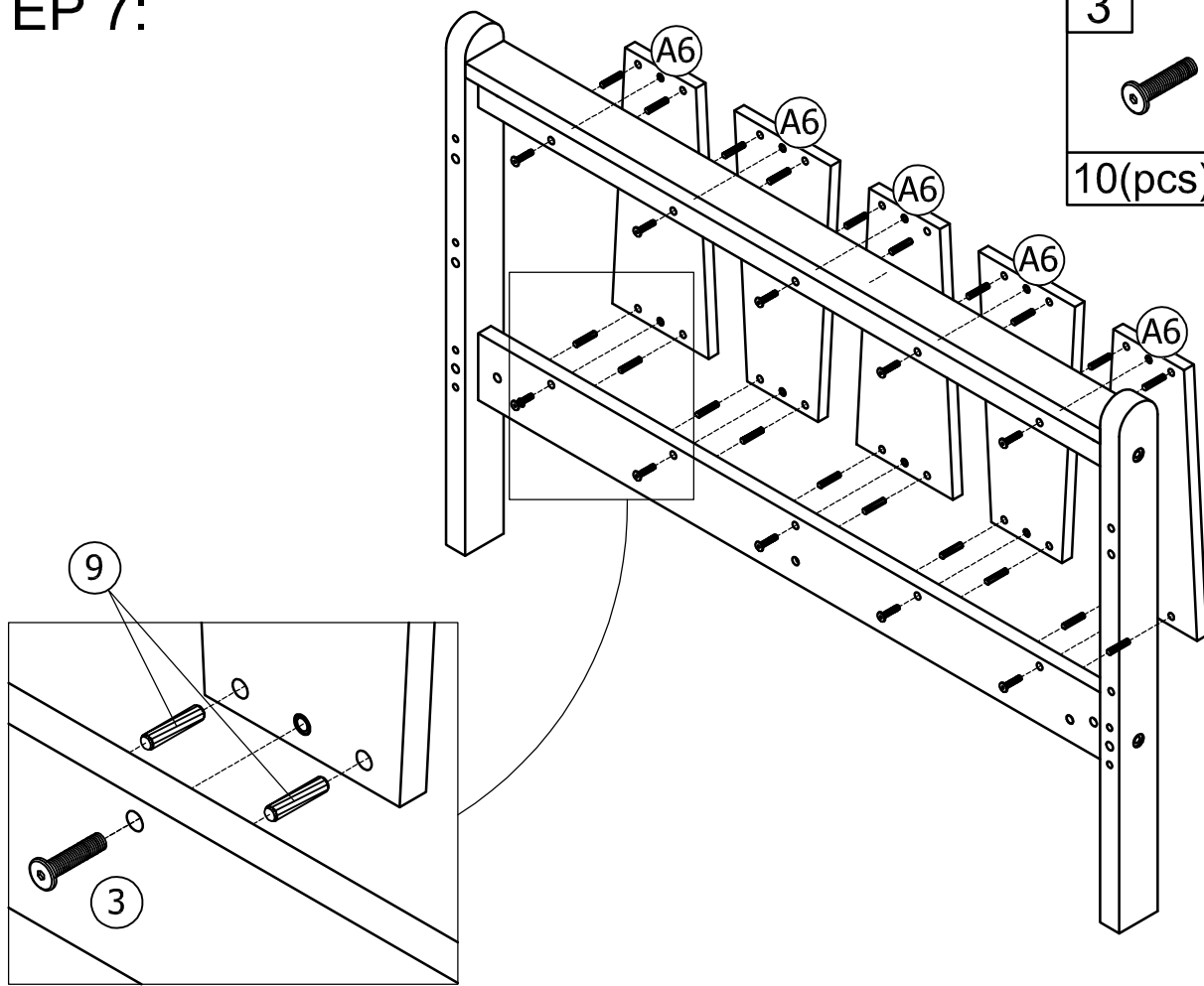



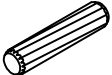
STEP 6:

9	13
	
2(pcs)	4(pcs)

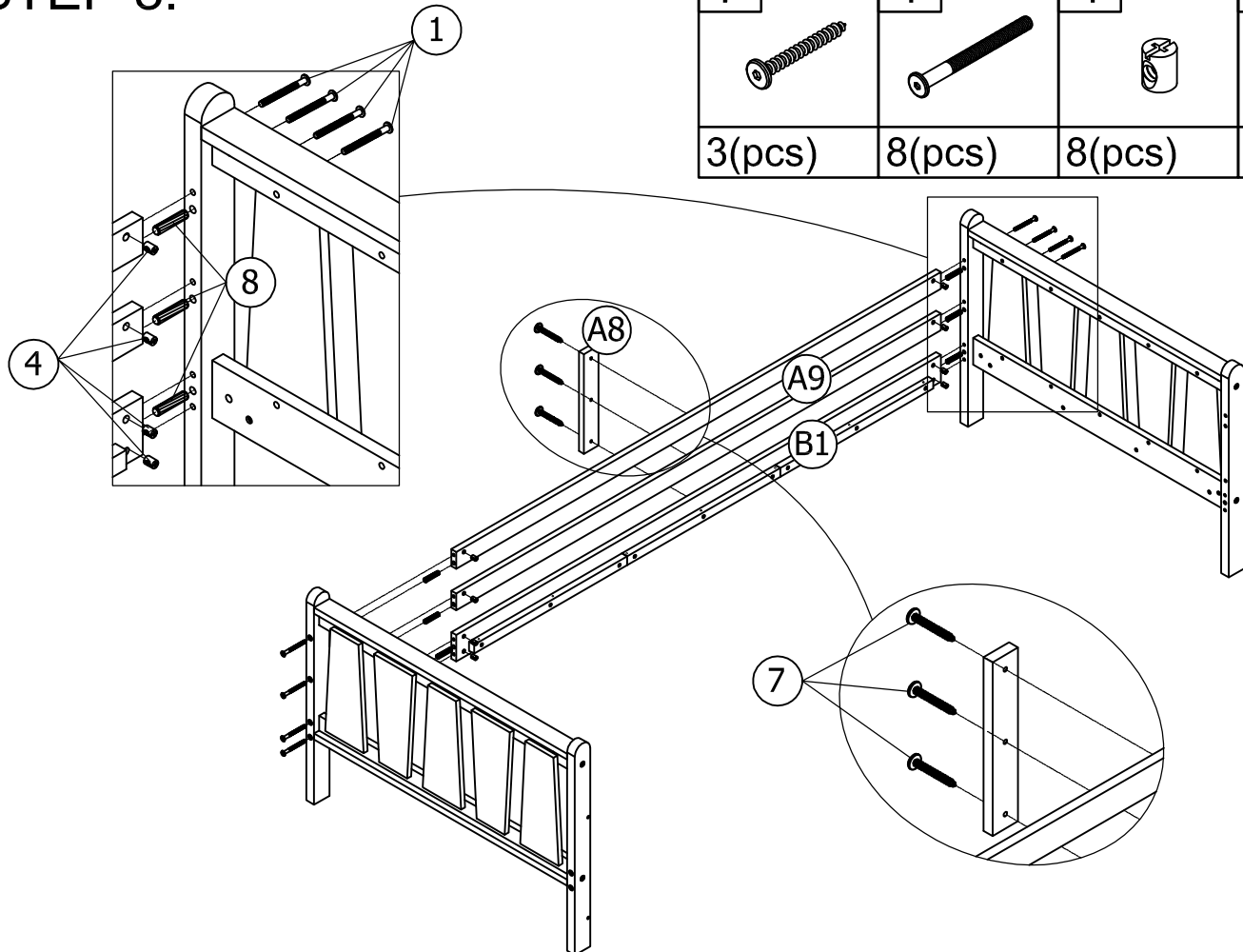


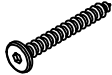


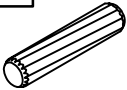
STEP 7:



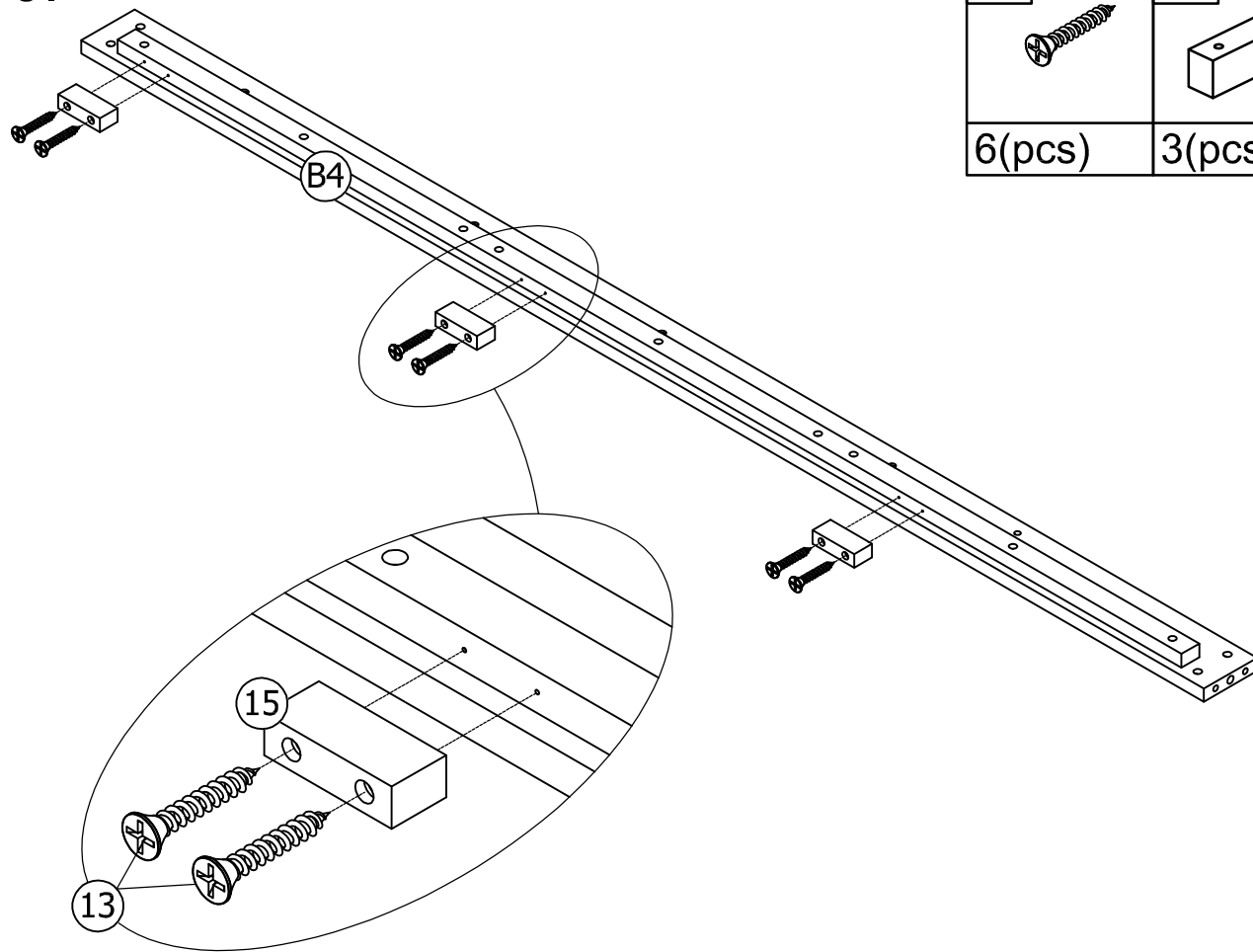
3	9
	
10(pcs)	20(pcs)

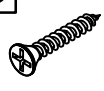
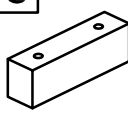
STEP 8:



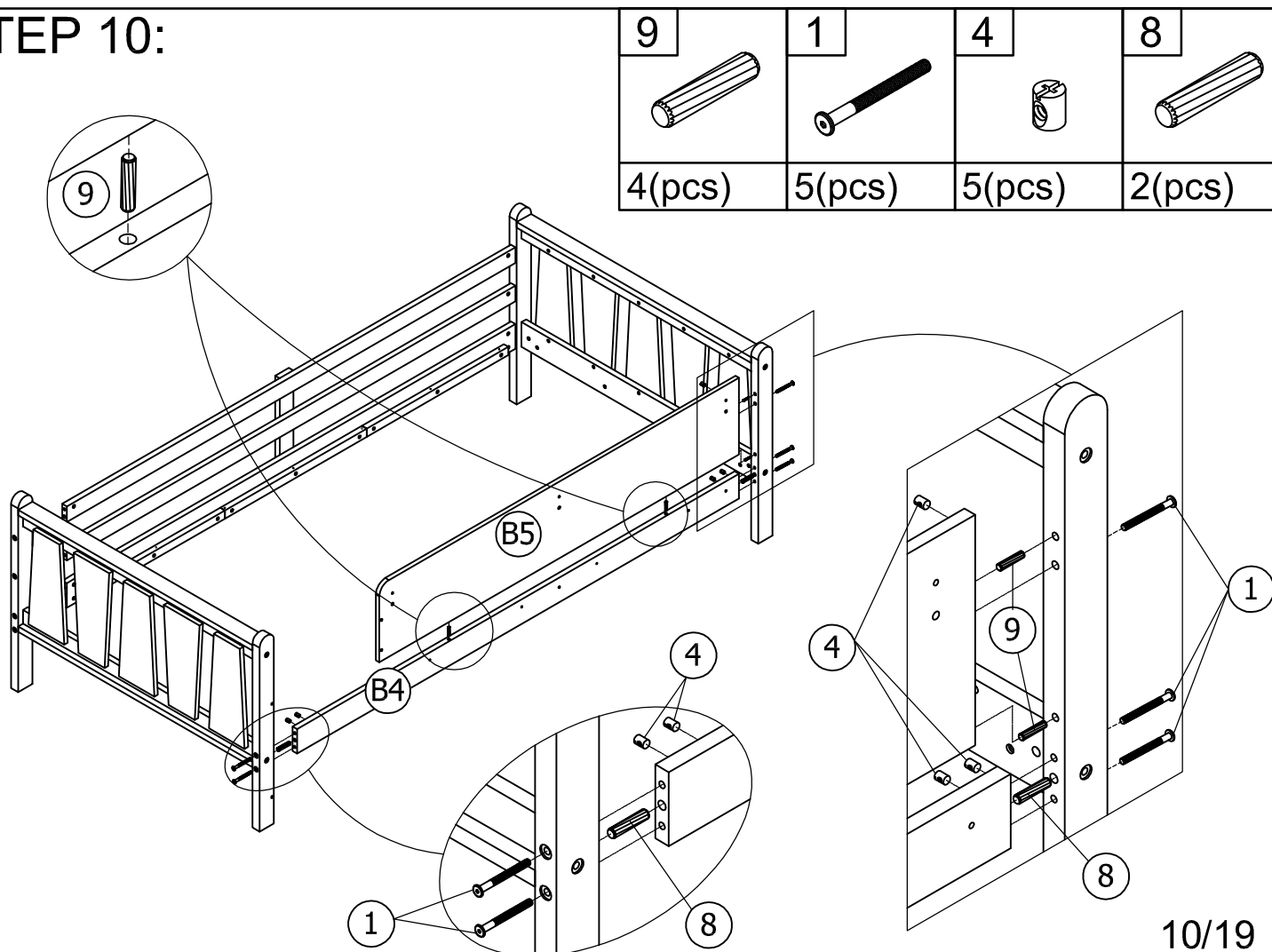
7	1	4	8
			
3(pcs)	8(pcs)	8(pcs)	6(pcs)

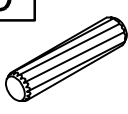
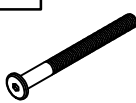

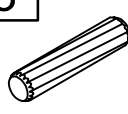
STEP 9:





13	15
	
6(pcs)	3(pcs)

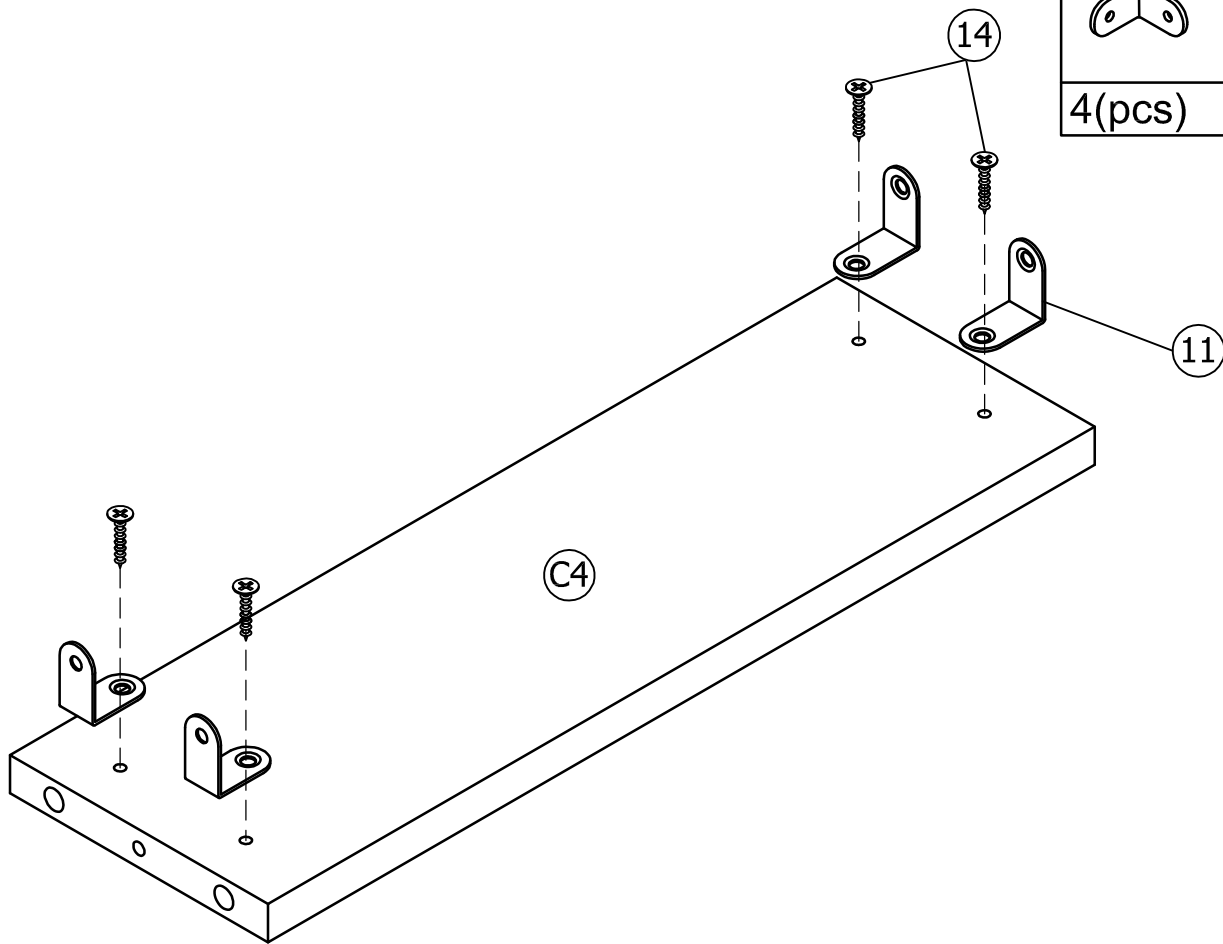
STEP 10:



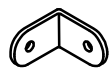

9	1	4	8
			
4(pcs)	5(pcs)	5(pcs)	2(pcs)

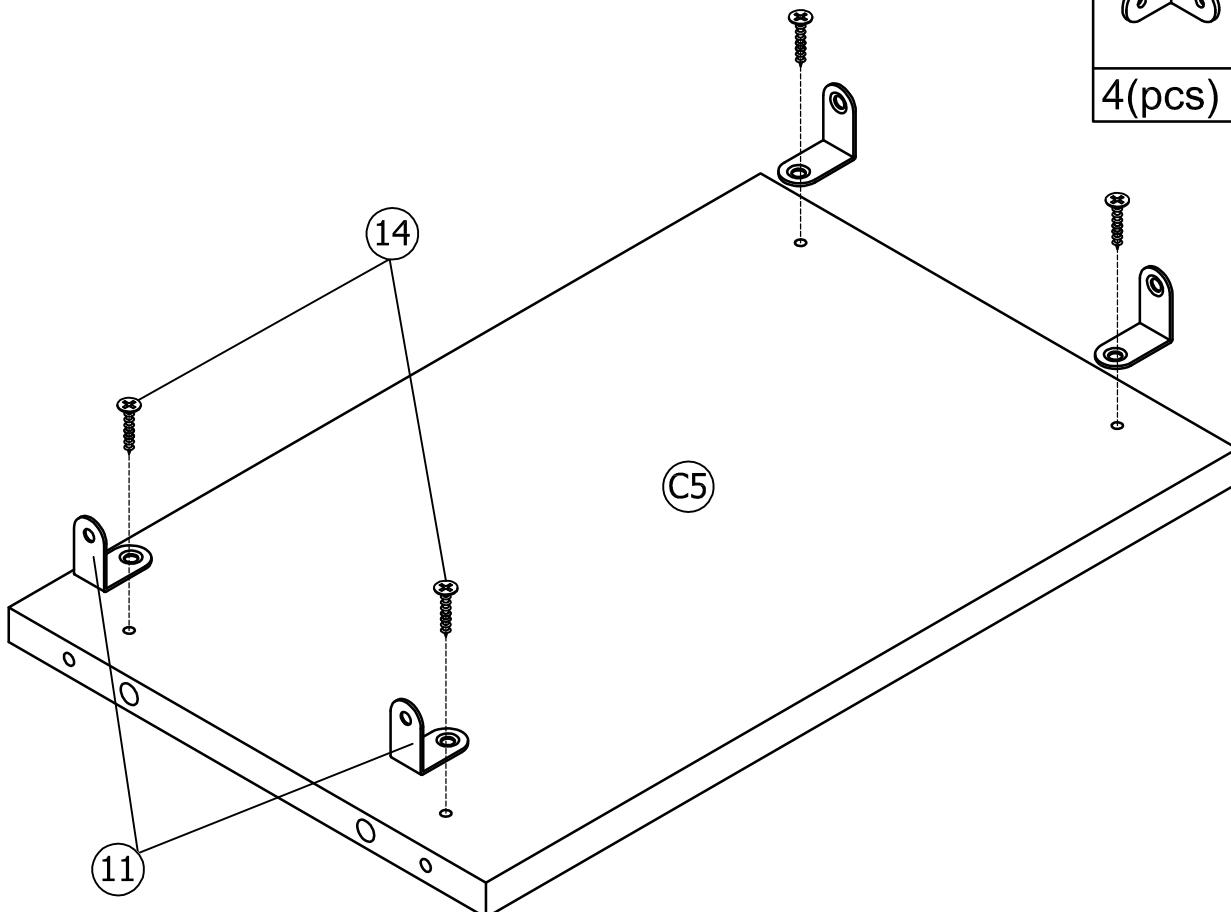
STEP 11:

11	14
	
4(pcs)	4(pcs)

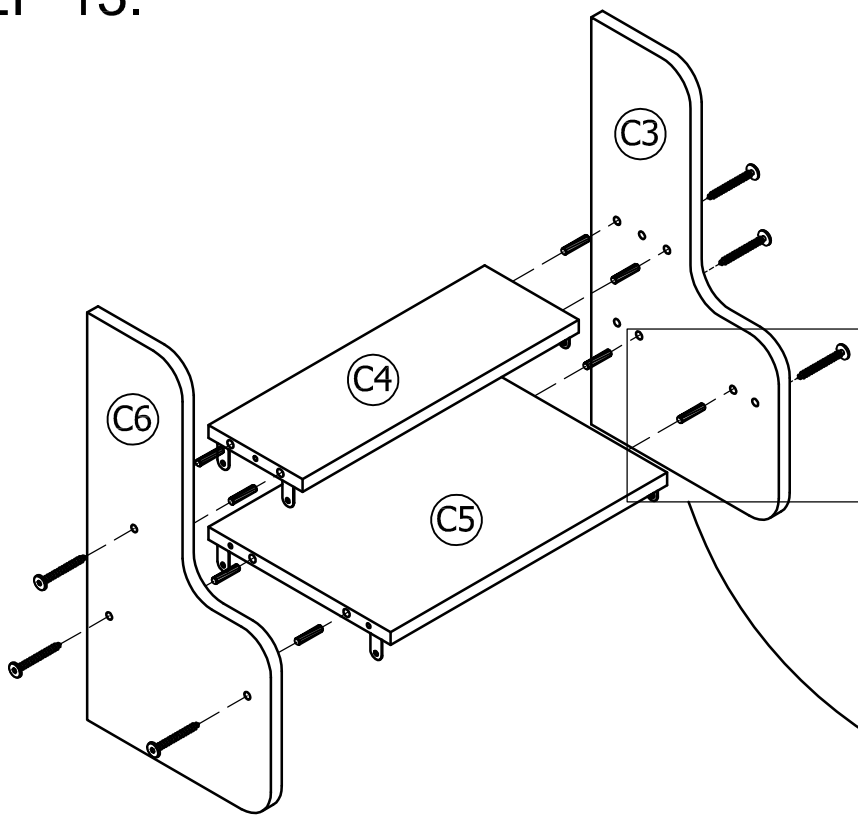


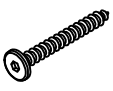
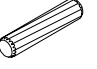
STEP 12:

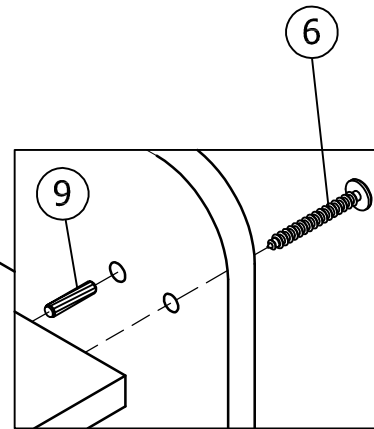
11	14
	
4(pcs)	4(pcs)



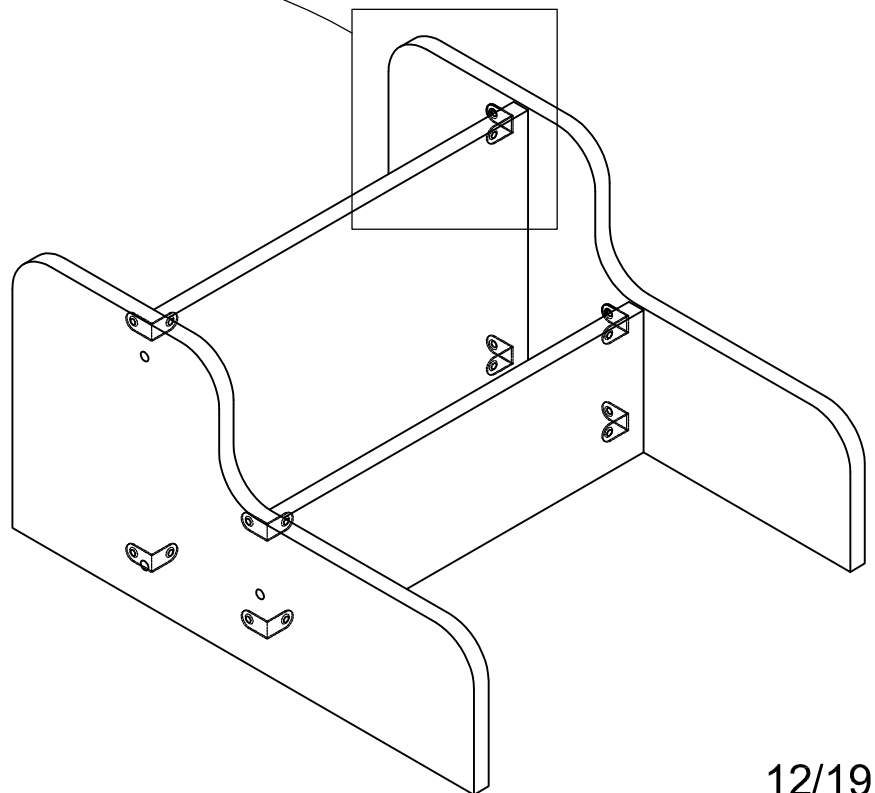
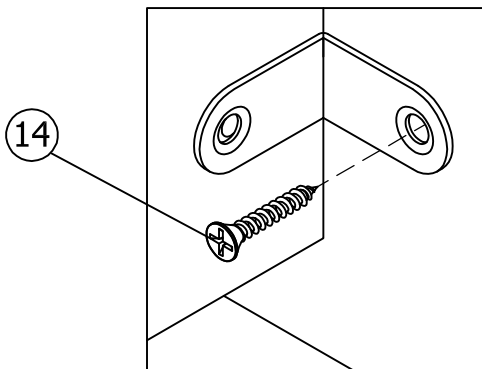
STEP 13:




6	9
	
6(pcs)	8(pcs)

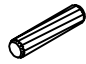



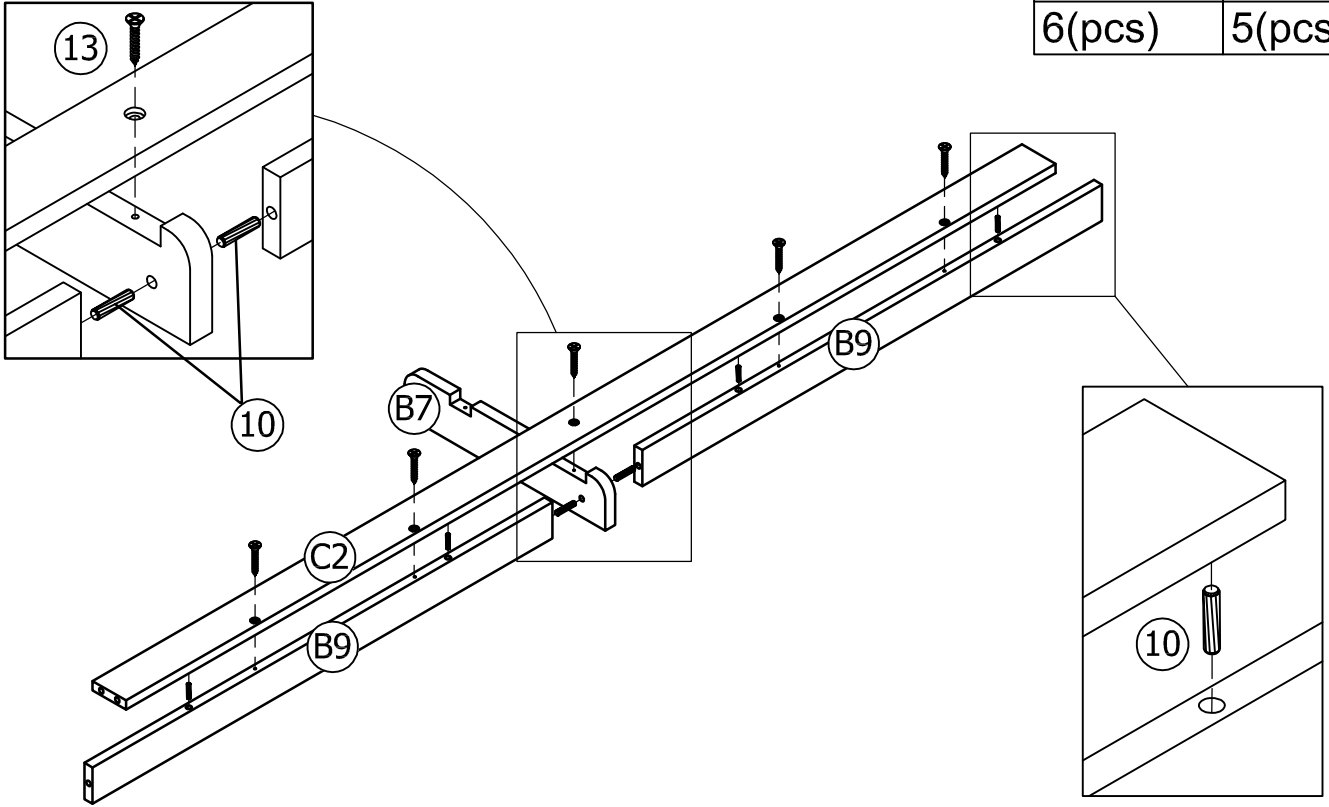
STEP 14:



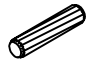

14

8(pcs)

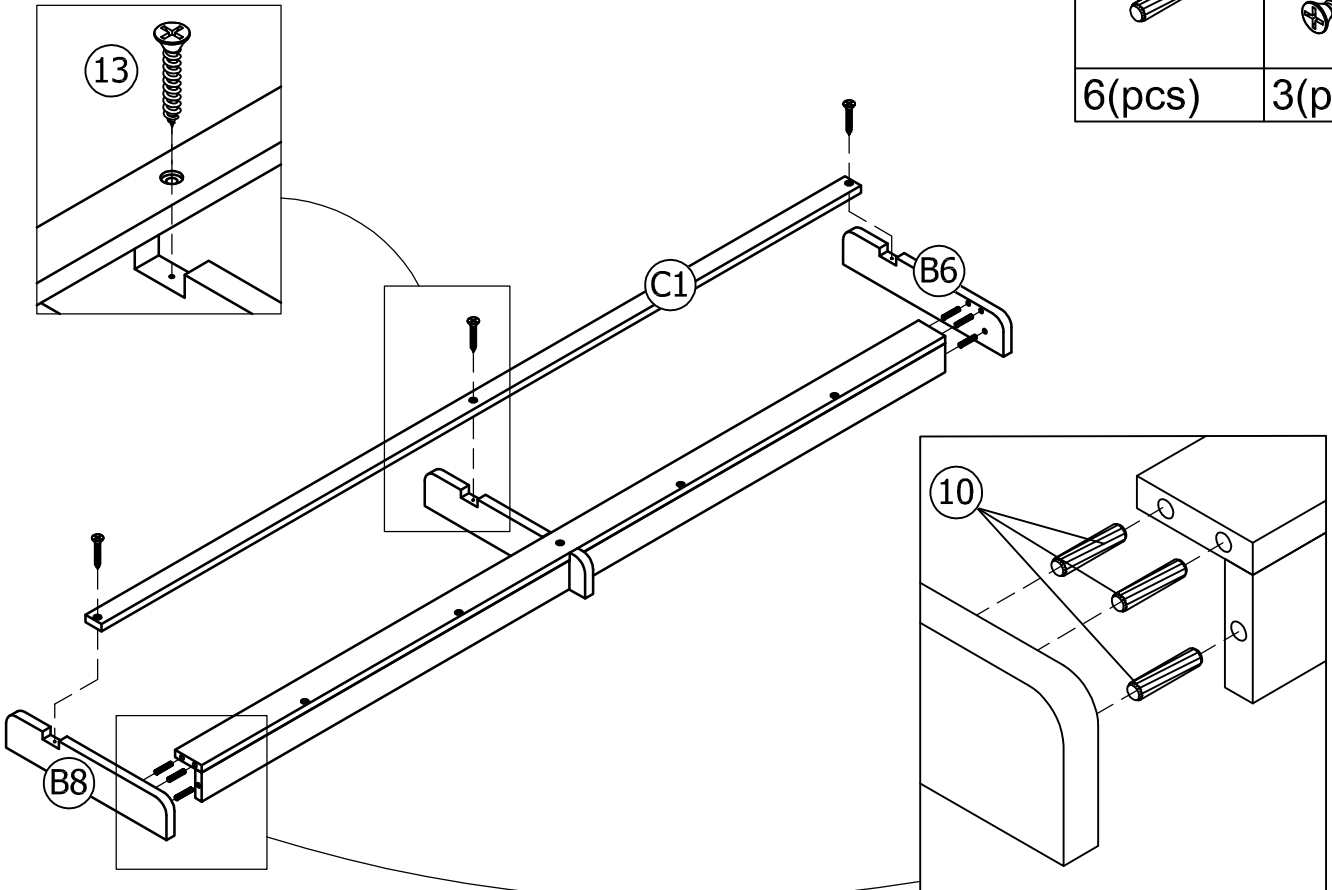
STEP 15:

10	13
	
6(pcs)	5(pcs)



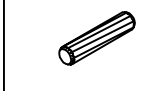
STEP 16:

10	13
	
6(pcs)	3(pcs)

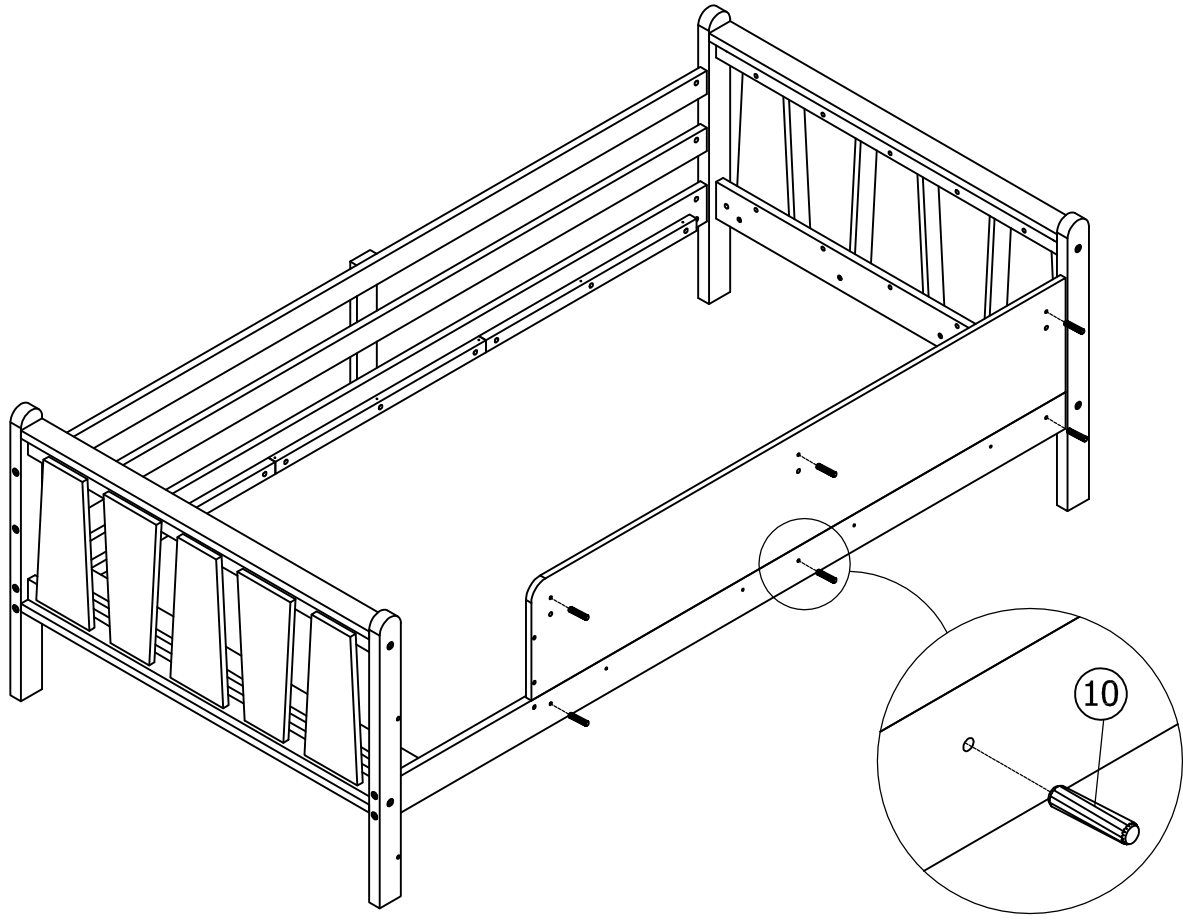


STEP 17:

10



6(pcs)

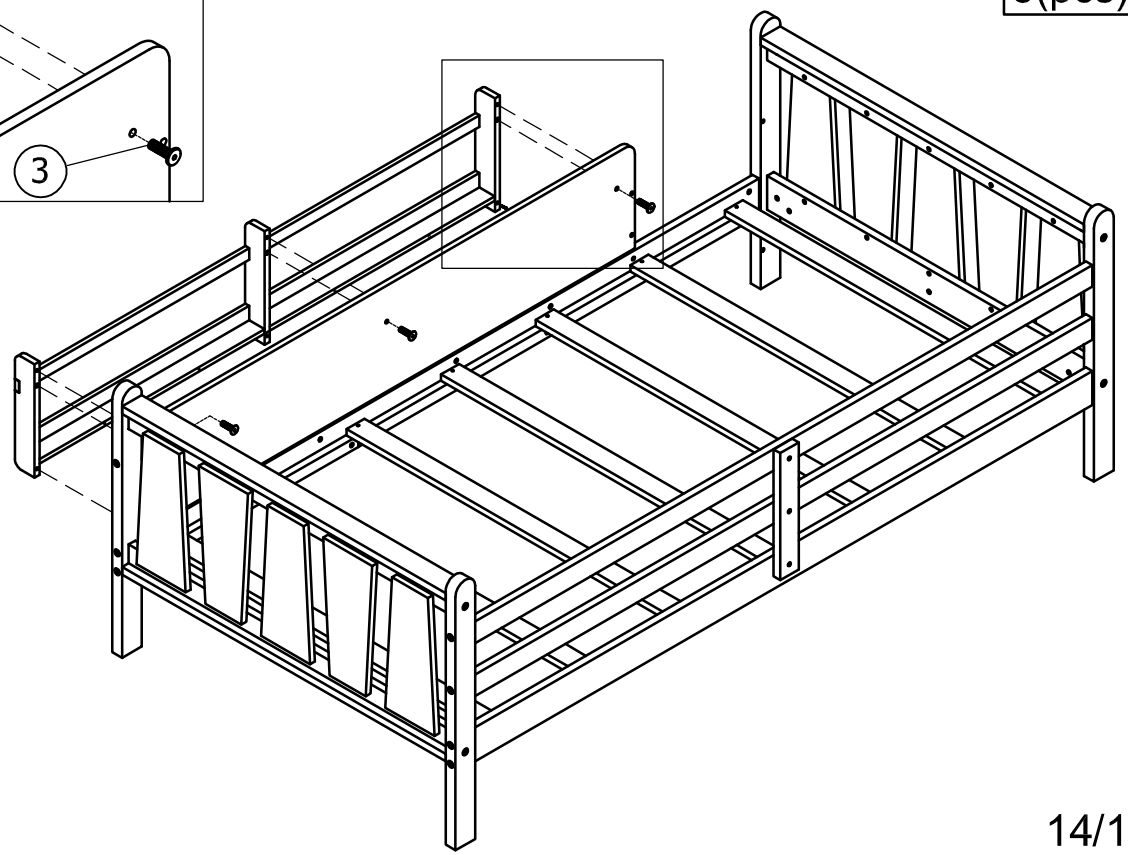
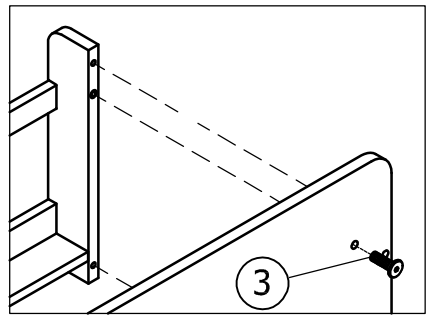


STEP 18:

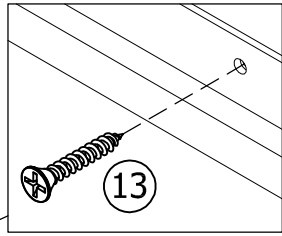
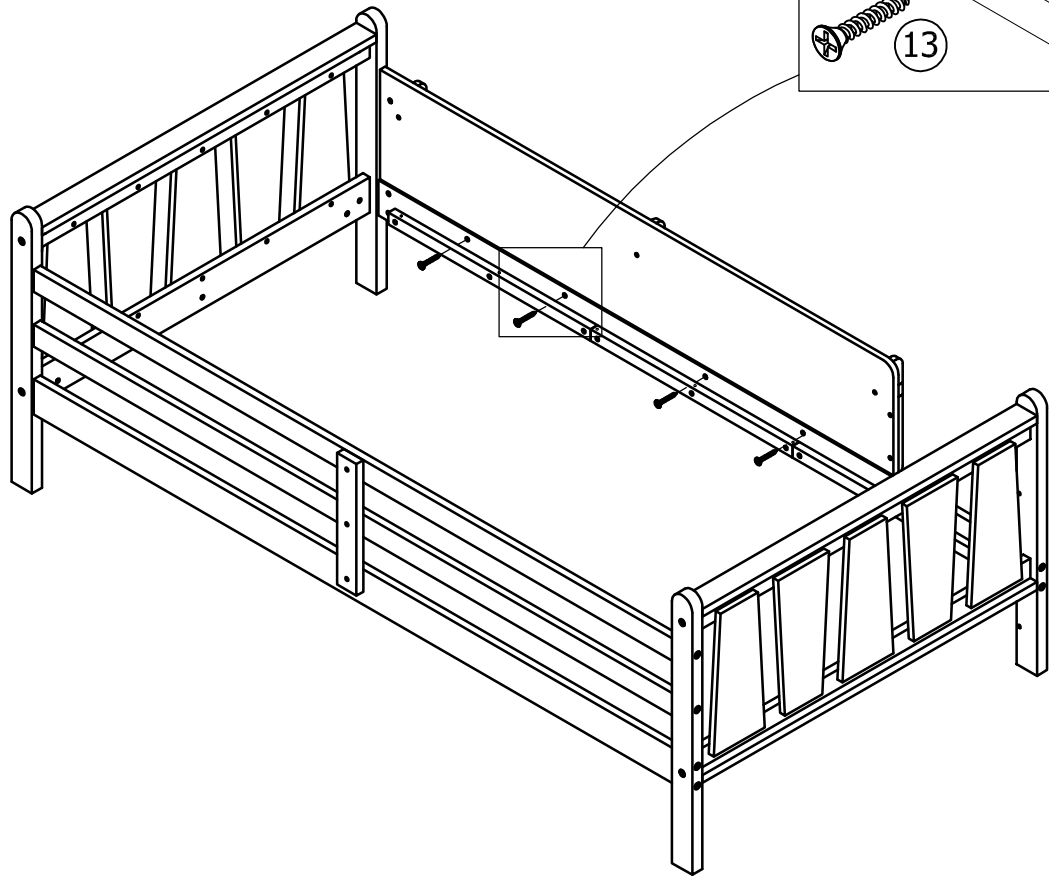
3



3(pcs)



STEP 19:

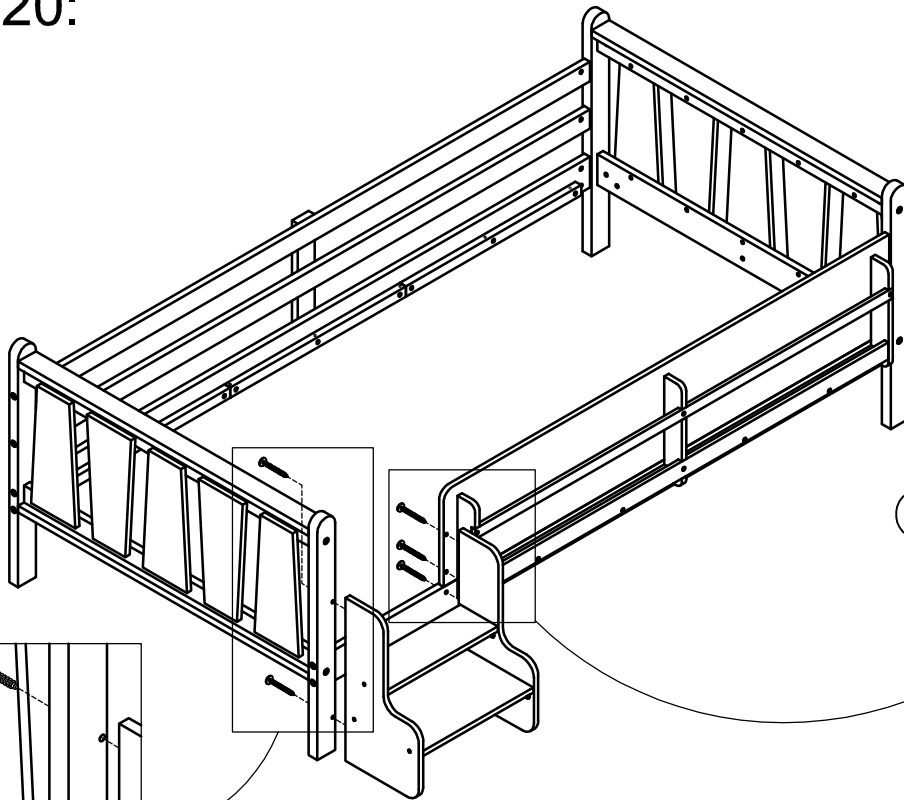


13

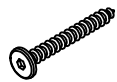


4(pcs)

STEP 20:



5



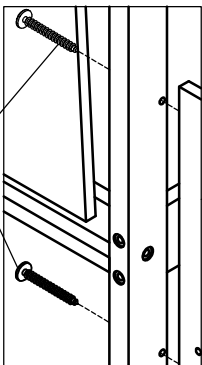
2(pcs)

6

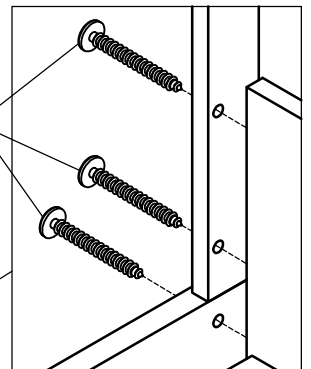


3(pcs)

5



6

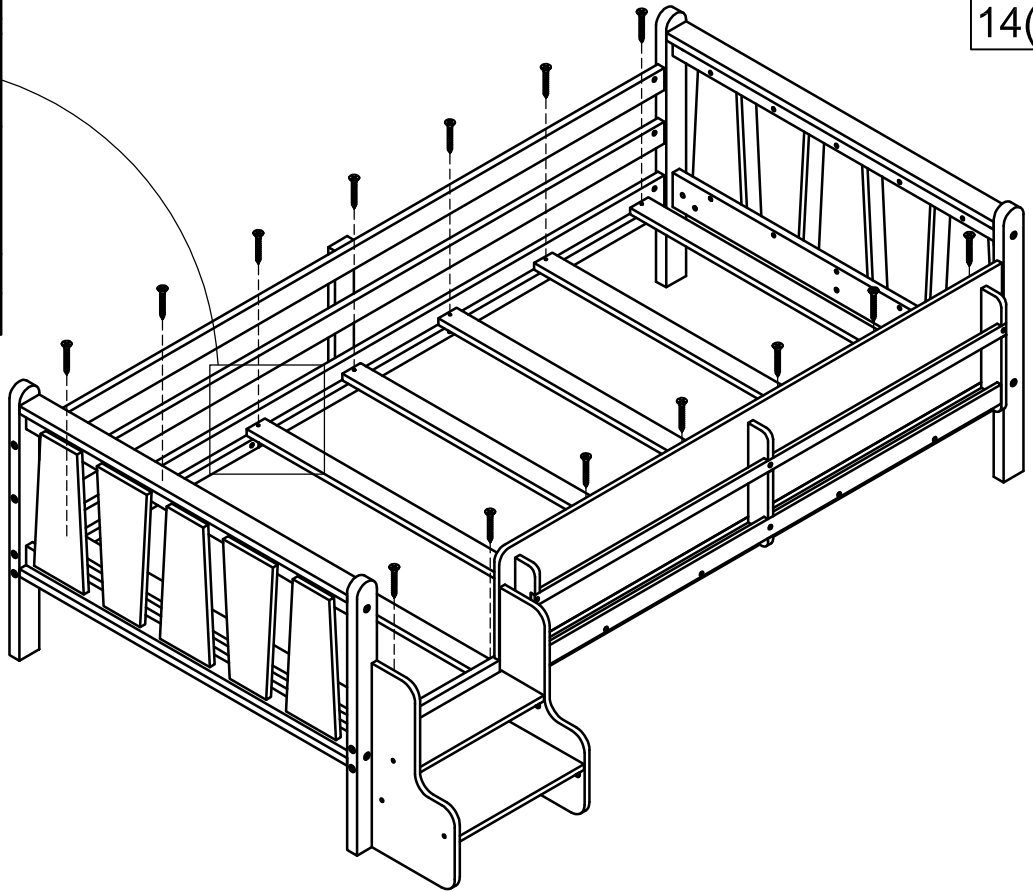
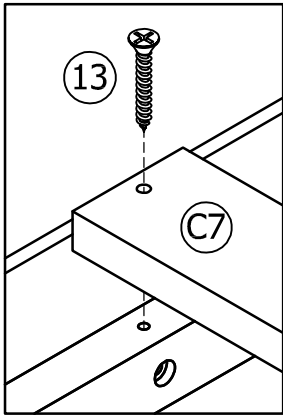


STEP 21:

13



14(pcs)

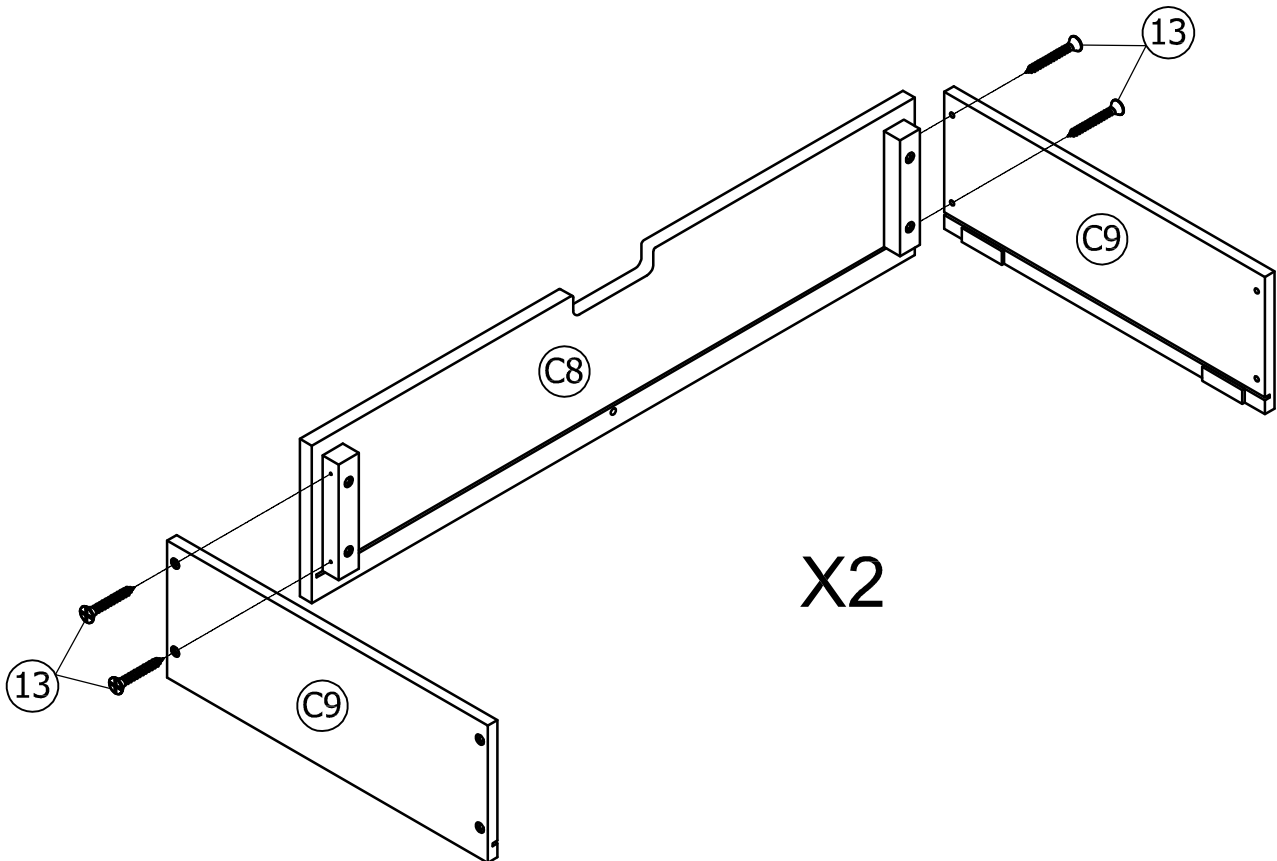


STEP 22:

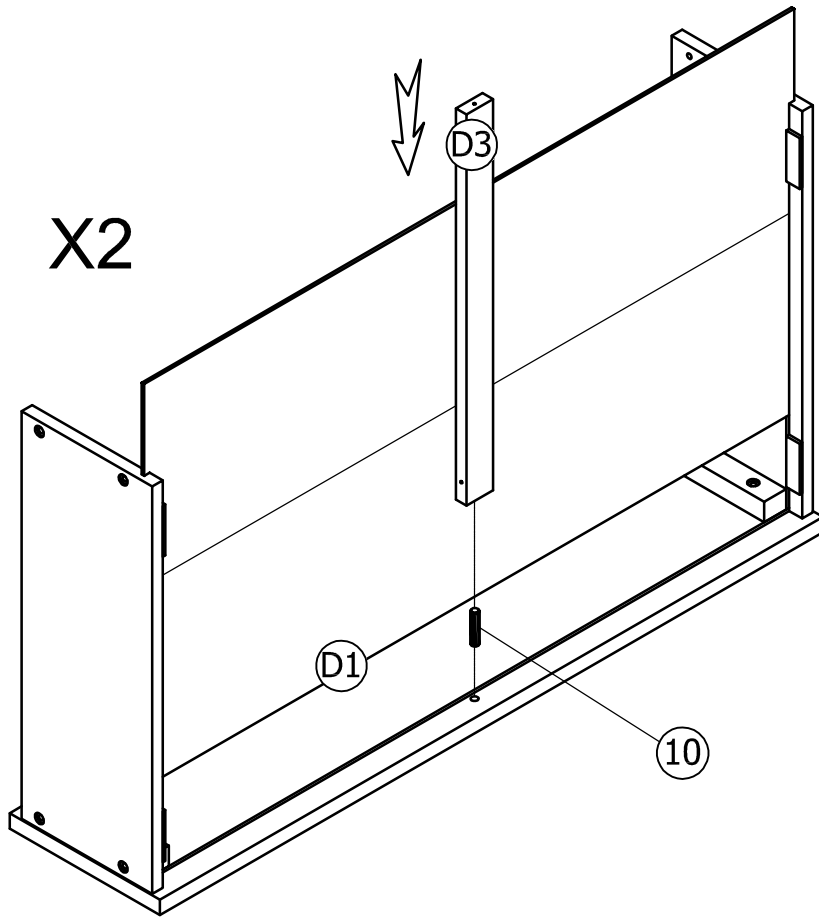
13



8(pcs)



STEP 23:

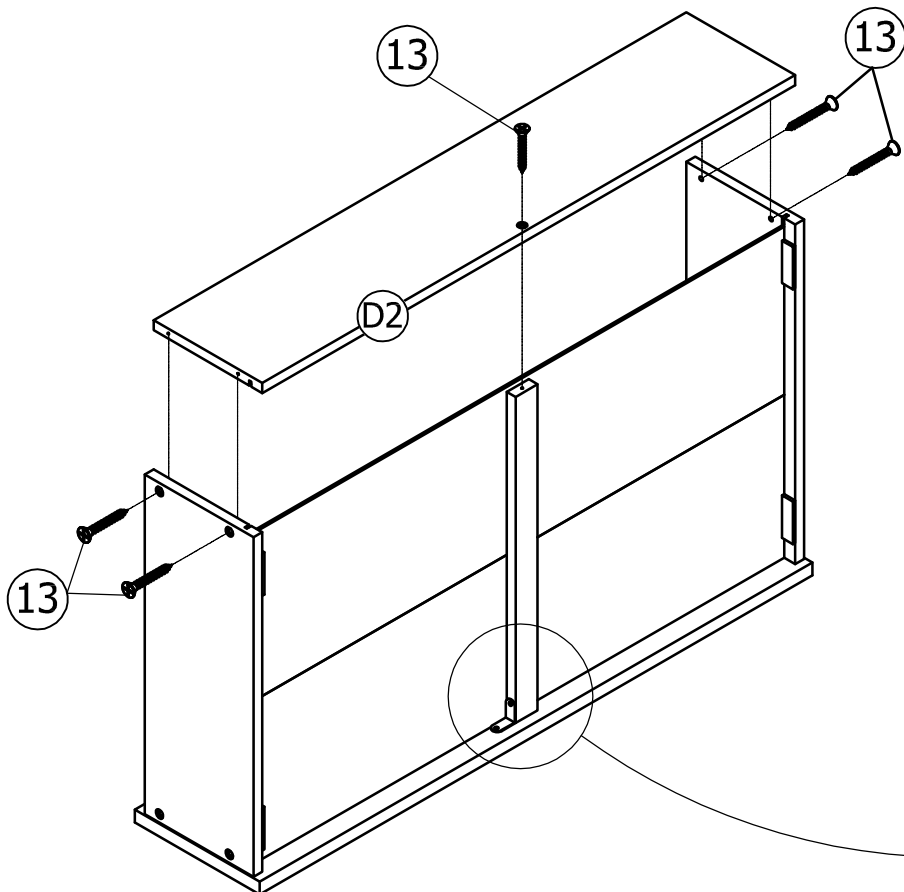


10



2(pcs)

STEP 24:

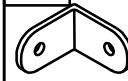


13



10(pcs)

11



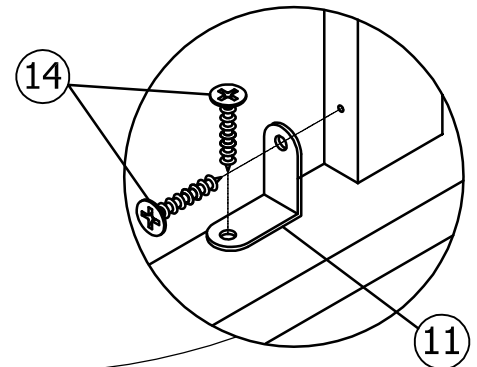
2(pcs)

14

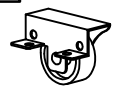
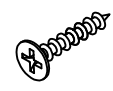


4(pcs)

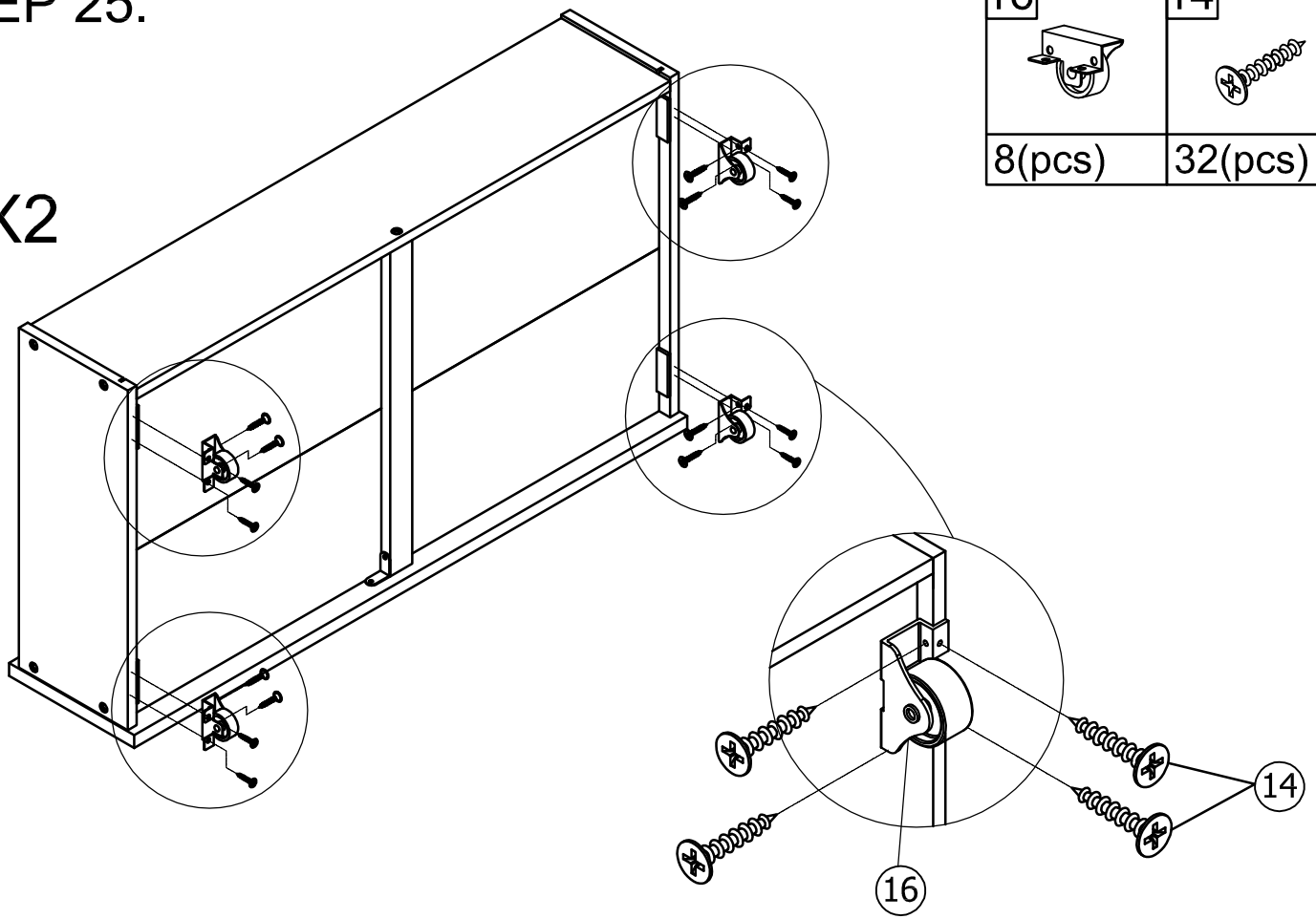
X2



STEP 25:

16	14
	
8(pcs)	32(pcs)

X2



STEP 26:

