

ETM
D

ELLEN DEGENERES

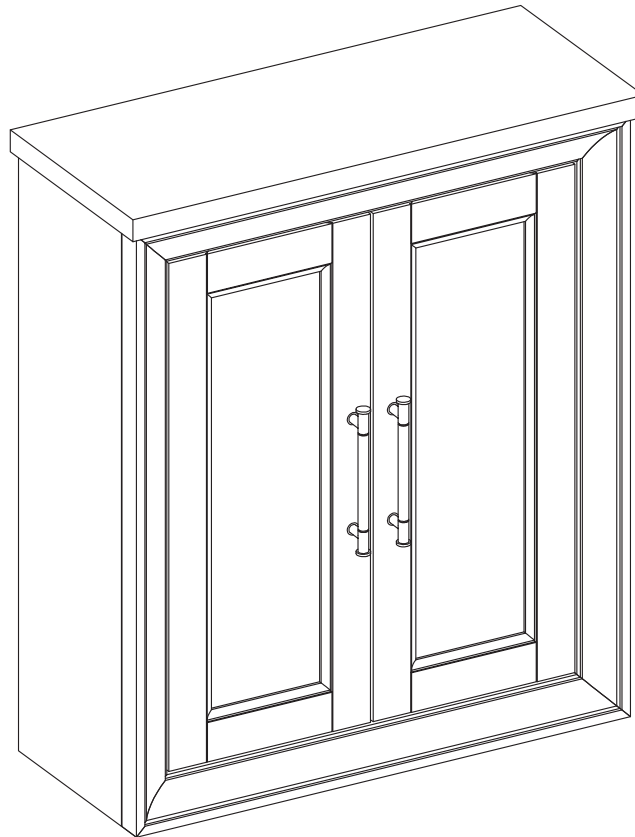
BATH.EDBYELLEN.COM

INTRODUCTION WELCOME

ED is Ellen DeGeneres' iconic style, values and personality shared through collections of beautifully designed, high-quality products for home, pets and people. All ED merchandise design and materials are approved by Ellen, ensuring it maintains her standards and upholds her promise to make each item feel like a personal connection between herself and consumers around the world.

24-IN WALL CABINET

ITEM #
3629290; 3629291
MODEL #
1580WC-24-201; 1580WC-24-242



MODEL NUMBER	DESCRIPTION
1580WC-24-201	24" White Finish Wall Cabinet
1580WC-24-242	24" Light Gray Finish Wall Cabinet

ATTACH YOUR RECEIPT HERE

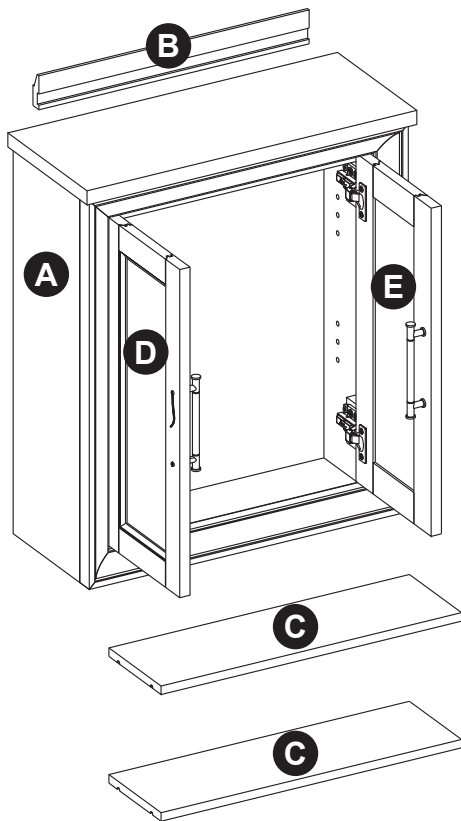
Serial Number _____ Purchase Date _____

Questions, problems, missing parts? Before returning to your retailer, call our customer service department at 1-855-571-1044, 9 a.m. - 5 p.m., EST, Monday - Friday.

TABLE OF CONTENTS

Package Contents.....	5
Hardware Contents.....	5
Safety Instructions.....	5
Preparation	6
Assembly or Installation Instructions	6
Care and Maintenance	9
Warranty	9
Replacement Parts List	10

PACKAGE CONTENTS



PART	DESCRIPTION	QUANTITY
A	Cabinet	1
B	Wall Bracket	1
C	Shelf	2
D	Left Door (preassembled to cabinet (A))	1
E	Right Door (preassembled to cabinet (A))	1

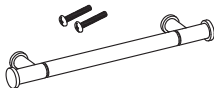
HARDWARE CONTENTS (NOT SHOWN ACTUAL SIZE)

AA



Touch Up Pen
Qty. 1

BB



Door Handle (2 Options)
Brushed Nickel (Qty. 2)
Champagne Brass (Qty. 2)

CC



Shelf Pin
Qty. 8

SAFETY INSTRUCTIONS

Please read and understand this entire manual before attempting to assemble, operate or install the product.

WARNING

- There are several assembly steps, including unpacking, that require two adults.

CAUTION

- Before installation, carefully use scissors or utility knife to cut and unwrap all parts. Make sure you DO NOT discard the hardware.
- Follow these instructions closely, take your time, and use care while assembling this wall cabinet .

KEEP THESE INSTRUCTIONS FOR FUTURE REFERENCE.

PREPARATION

Before beginning assembly of product, make sure all parts are present. Compare parts with package contents list and hardware contents list. If any part is missing or damaged, do not attempt to assemble the product.

Estimated Installation Time: 20 minutes.

Tools Required for Installation (not included): Phillips screwdriver, utility knife or scissors, power drill with drill bit.

Helpful Tools (not included): Measuring tape, level

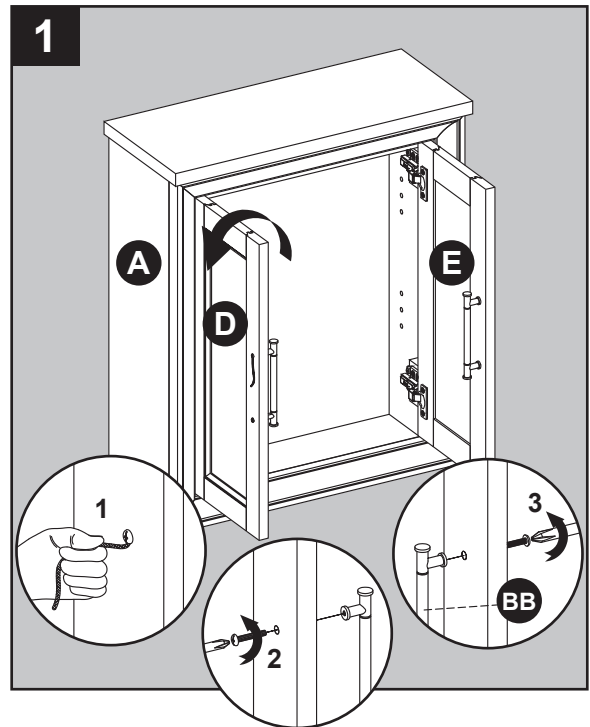
INSTALLATION INSTRUCTIONS

Note: This wall cabinet comes with two different door handle options.

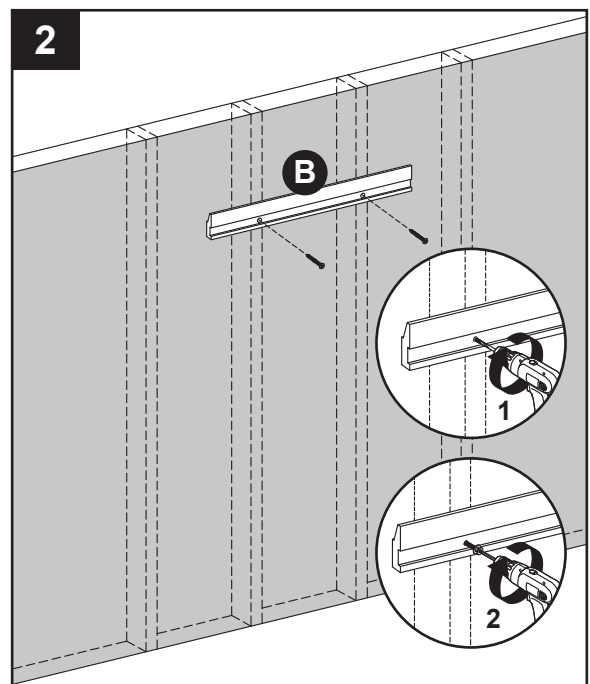
1. One set of door handles (BB) are attached to the inside of doors (D & E) and the other set is located with the hardware pack. Use the attached string to open the doors initially. Unscrew the door handles (BB) and attach your preferred handles to the outside of the doors (D & E), as illustrated in the diagram.

Hardware Used

BB Door Handle  x 2

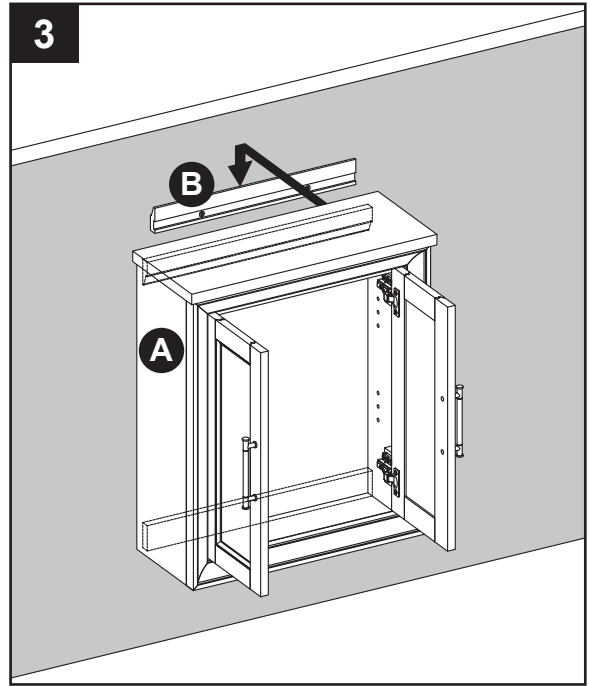


2. Locate wall bracket (B) and set aside.
Locate and mark wall stud locations where cabinet (A) will be placed. Center wall bracket (B) in desired level location off the floor and mark locations where wall bracket (B) meets the location of the wall studs.
Using hardware appropriate for your wall type (not included), secure the wall bracket (B) to the wall into preferably 2 wall studs. Use hardware such as a cabinet screw or toggle bolt depending on your wall type. Make sure the wall bracket (B) is level and centered well to the desired location of the cabinet (A). Be careful not to disturb any plumbing or electrical lines that may be concealed in the wall.
!IMPORTANT SAFETY STEP!
It is critical to have a strong secure connection to the wall before continuing to the next step.



INSTALLATION INSTRUCTIONS

3. With the help of another adult, carefully lower the cabinet (A) down onto the wall bracket (B). Be sure the cabinet (A) is secure to the wall before letting go.

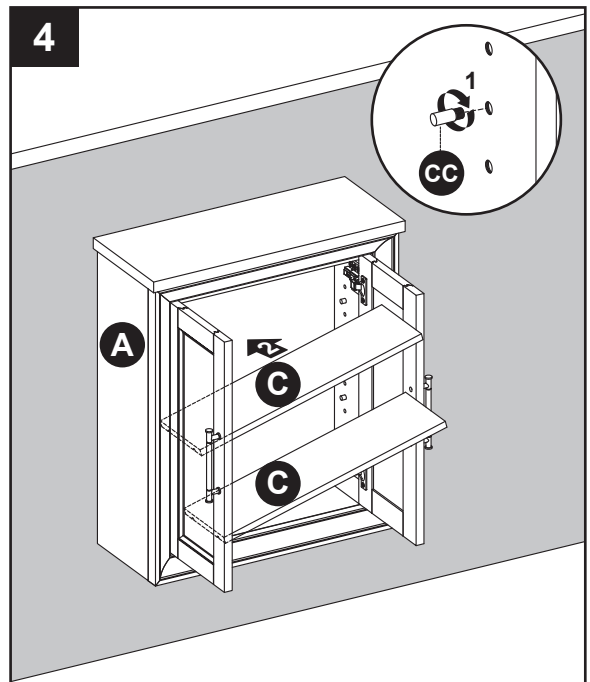


4. Screw shelf pins (CC) hand tight into the threaded holes of cabinet (A). Place shelf (C) on top of shelf pins (CC).

Repeat for the remaining shelf (C).

Hardware Used

CC Shelf Pin  x 8



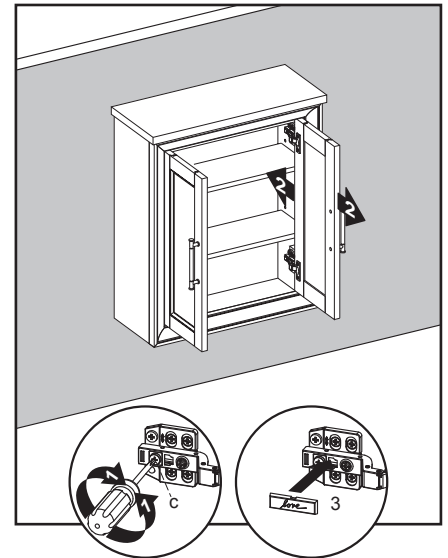
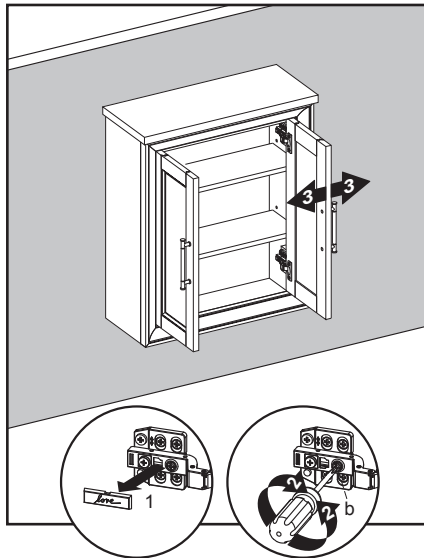
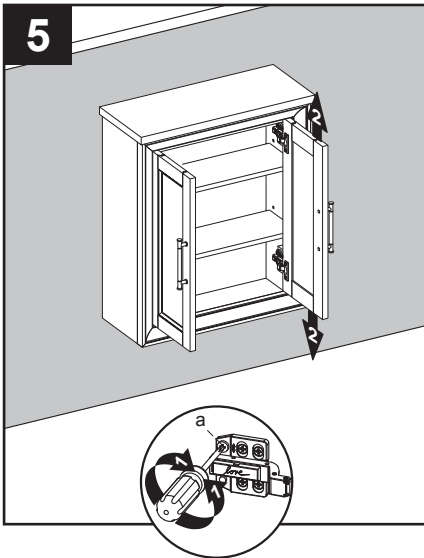
INSTALLATION INSTRUCTIONS

5. If you need to adjust the doors, do so in the following manner.

To adjust door up or down, loosen screws (a) on both hinges, adjust door, and retighten screws.

To adjust door left or right, turn screws (b) on both hinges, in and out.

To adjust door in or out, loosen screws (c) on both hinges, adjust door, and retighten screws.



CARE AND MAINTENANCE

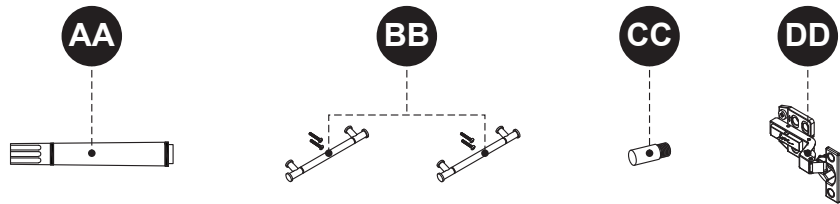
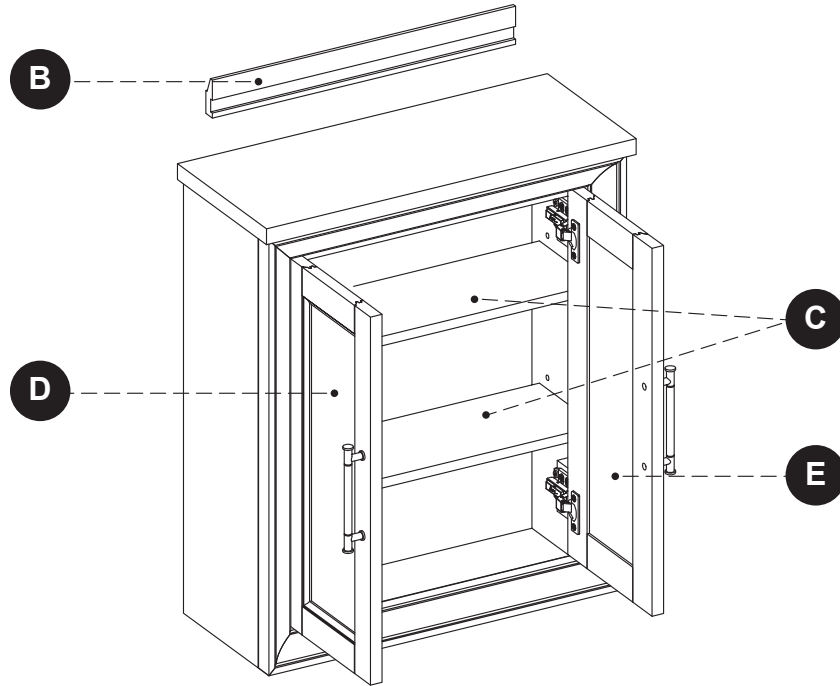
- Dust the wall cabinet regularly with a soft, non-lint producing cloth or household dusting product.
- You can clean the wall cabinet with a gentle, non-abrasive household cleaner.
- Make sure to dry the wood immediately with a soft cloth or towel.
- Tips for using touch-up pen (AA): For scratches, stroke in direction of scratch. Rub off excess colorant promptly with a soft cloth.

WARRANTY

The manufacturer warrants this item against defects in materials and workmanship for a period of one (1) year from the date of original retail purchase. This warranty applies only to the original purchaser. This warranty does not apply to any damage on the product by accident, misuse, or modified, improper installation or by affixing accessories not produced by the manufacturer. The manufacturer is not accountable whatsoever for product installation during the warranty period. There is no further expressed warranty. The manufacturer shall not be legally responsible for incidental, consequential or special damages arising at or in connection with product use or performance except as may otherwise be accorded by law. The manufacturer disclaims any and all implied warranties.

REPLACEMENT PARTS LIST FOR 1580WC-24-201

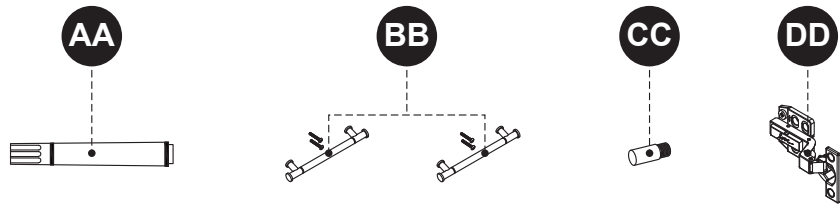
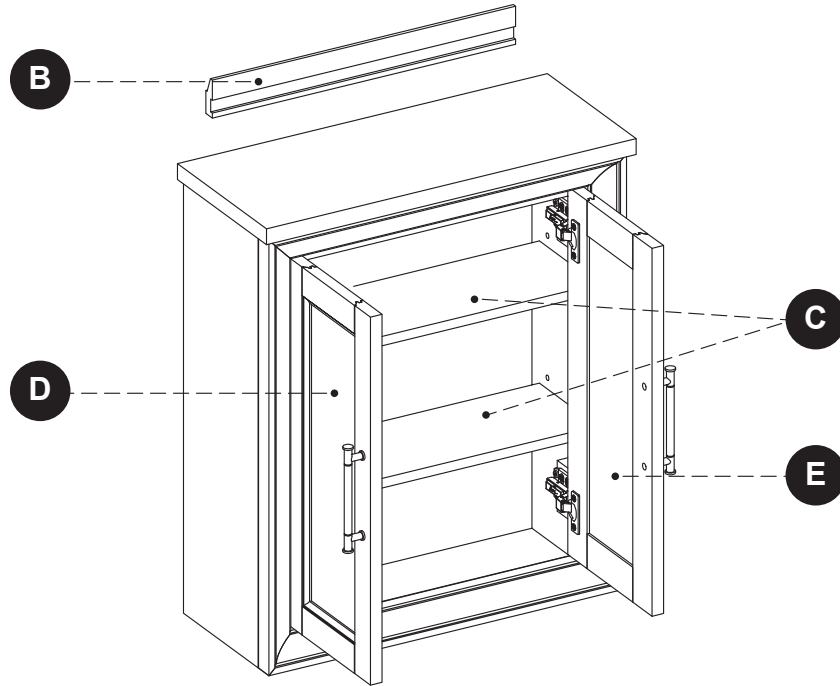
For replacement parts, call our customer service department at 1-855-571-1044, 9 a.m. - 5 p.m., EST, Monday - Friday.



PART	DESCRIPTION	PART #
B	Wall Bracket	WC-WALL BRACKET-201
C	Shelf	1580WC-24-201-SHELF
D	Left Door	1580WC-24-201 DOOR SET
E	Right Door	
AA	Touch-up Pen	OF-0010
BB	Door Handle-brushed nickel	1580-BN DOOR HARDWARE
	Door Handle-champagne brass	1580-CB DOOR HARDWARE
CC	Shelf Pin	PU17-SP-002
DD	Hinge	SH-ABC-HINGES

REPLACEMENT PARTS LIST FOR 1580WC-24-242

For replacement parts, call our customer service department at 1-855-571-1044, 9 a.m. - 5 p.m., EST, Monday - Friday.



PART	DESCRIPTION	PART #
B	Wall Bracket	WC-WALL BRACKET-242
C	Shelf	1580WC-24-242-SHELF
D	Left Door	1580WC-24-242 DOOR SET
E	Right Door	
AA	Touch-up Pen	OF-0120R
BB	Door Handle-brushed nickel	1580-BN DOOR HARDWARE
	Door Handle-champagne brass	1580-CB DOOR HARDWARE
CC	Shelf Pin	PU17-SP-002
DD	Hinge	SH-ABC-HINGES

