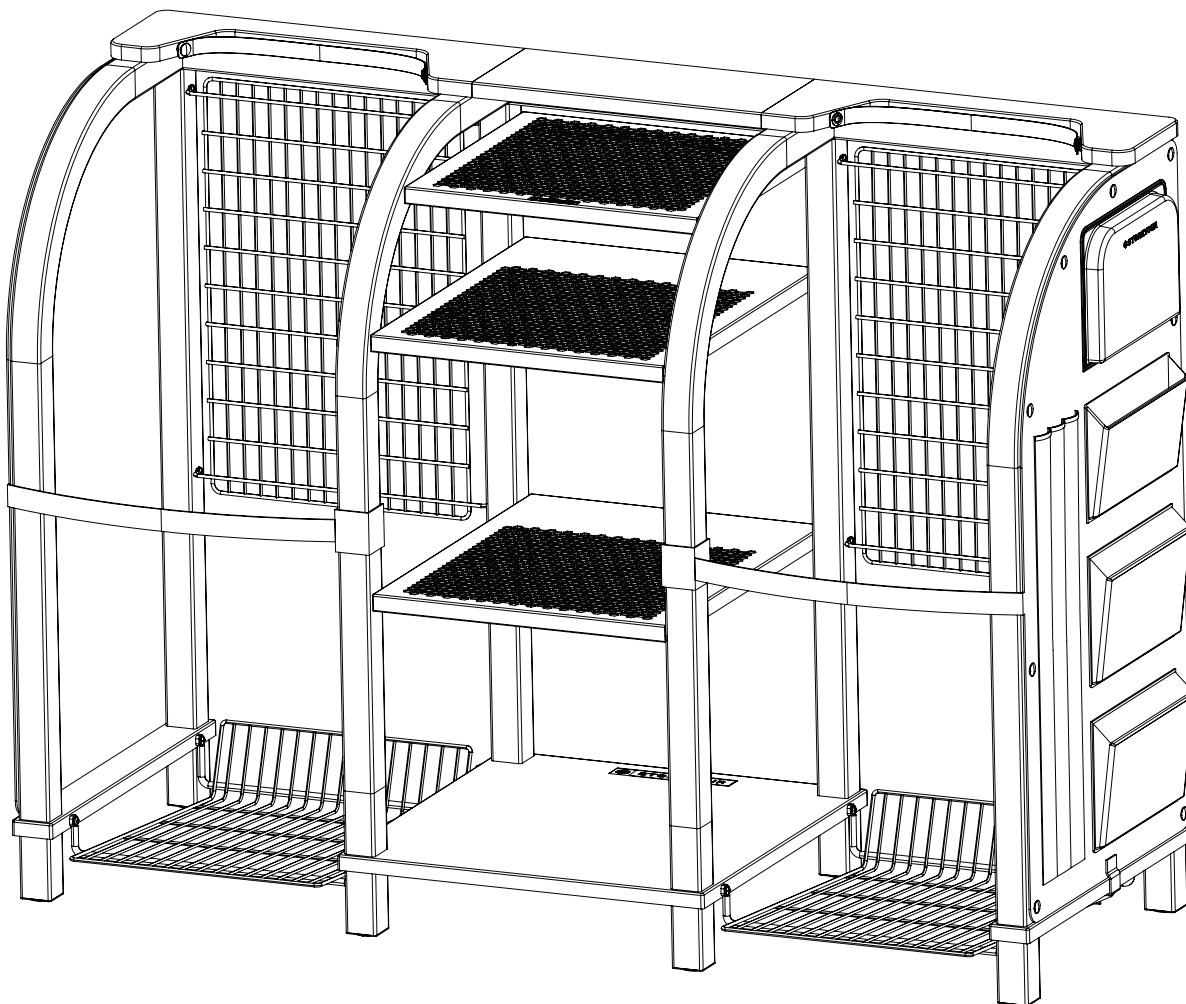




STOREYOUR




INSTALLATION GUIDE

GOLF BAG STORAGE RACK



SCAN THIS QR CODE FOR
THE FULL INSTALL VIDEO.

Questions or Concerns?

Contact us at: 

info@storeyour.com

IMPORTANT INFORMATION

GOLF BAG STORAGE RACK

Manufactured for Spire LLC in Vietnam

Quantity: 1

WARNING! The product is NOT intended for use by any person under the age of 18 years old. You must be over the age of 18 to install or use the product.

WARNING! Strictly follow all instructions to avoid an accident, damage to property, personal injury or death.

READ THE ENTIRE USER MANUAL BEFORE INSTALLATION

The User Manual you received with your product provides instructions on how to install and use your product. The instructions are written for a person with a basic understanding of tools and procedures. Read the entire manual before proceeding. If you do not understand any portion of the instructions, do not attempt installation, and email us with the information on the cover.

CORRECTLY INSTALL THE PRODUCT

Read and follow all instructions carefully.

Failure to properly install and use the product could allow the product to dismantle or fall, injuring persons or personal property in the process. Accordingly, it is critical that the product be assembled and installed correctly and according to the instructions in the User Manual.

USE TOOLS SAFELY

The procedures in the User Manual may require climbing ladders and/or operating power tools. Make sure you are familiar with these tools and their safety procedures before attempting to use such tools during installation. Always be aware of electrical wires during installation. Failure to do so could result in an electrical shock or death.

CAUTION

It is the consumer's responsibility to install this system in accordance with all codes, ordinances, and local regulations.

When installing the product, it is the consumer's responsibility to ensure the structural integrity of the structure it is being mounted to.

The product is intended for the storage of sporting equipment only. Do not use it for any other purpose.

This system has a maximum capacity stated in the following section. Overloading the system could result in damage to property or injury.

Use extreme caution when loading and unloading equipment from this system.

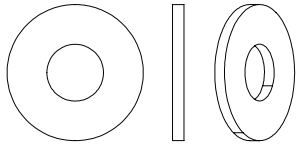
It is the consumer's responsibility to ensure that the system is in proper working condition before loading objects onto the system. Check tightness of all bolts and screws periodically. Failure to properly maintain the system could result in damage to property or injury.

WARNING AND DISCLAIMER

Spire LLC (d/b/a StoreYourBoard) expressly disclaims any and all liability for personal injury, property damage or loss, whether direct, indirect, incidental, resulting from the incorrect mounting, improper use, inadequate maintenance, or neglect of this system.

GOLF STORAGE PARTS

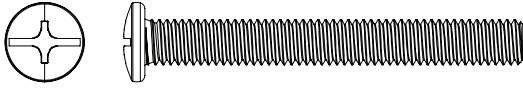
REQUIRED TOOLS:
Phillips Head Screwdriver



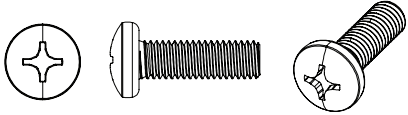
M6 Washer (5)



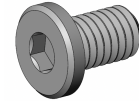
Medium Strength Steel Threaded Rod (8)
M6 x 60m



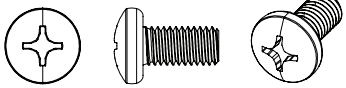
Pan Head Phillips Screws (5)
M6 x 50mm



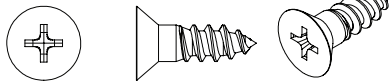
Pan Head Phillips Screws (8) M5 x 15mm



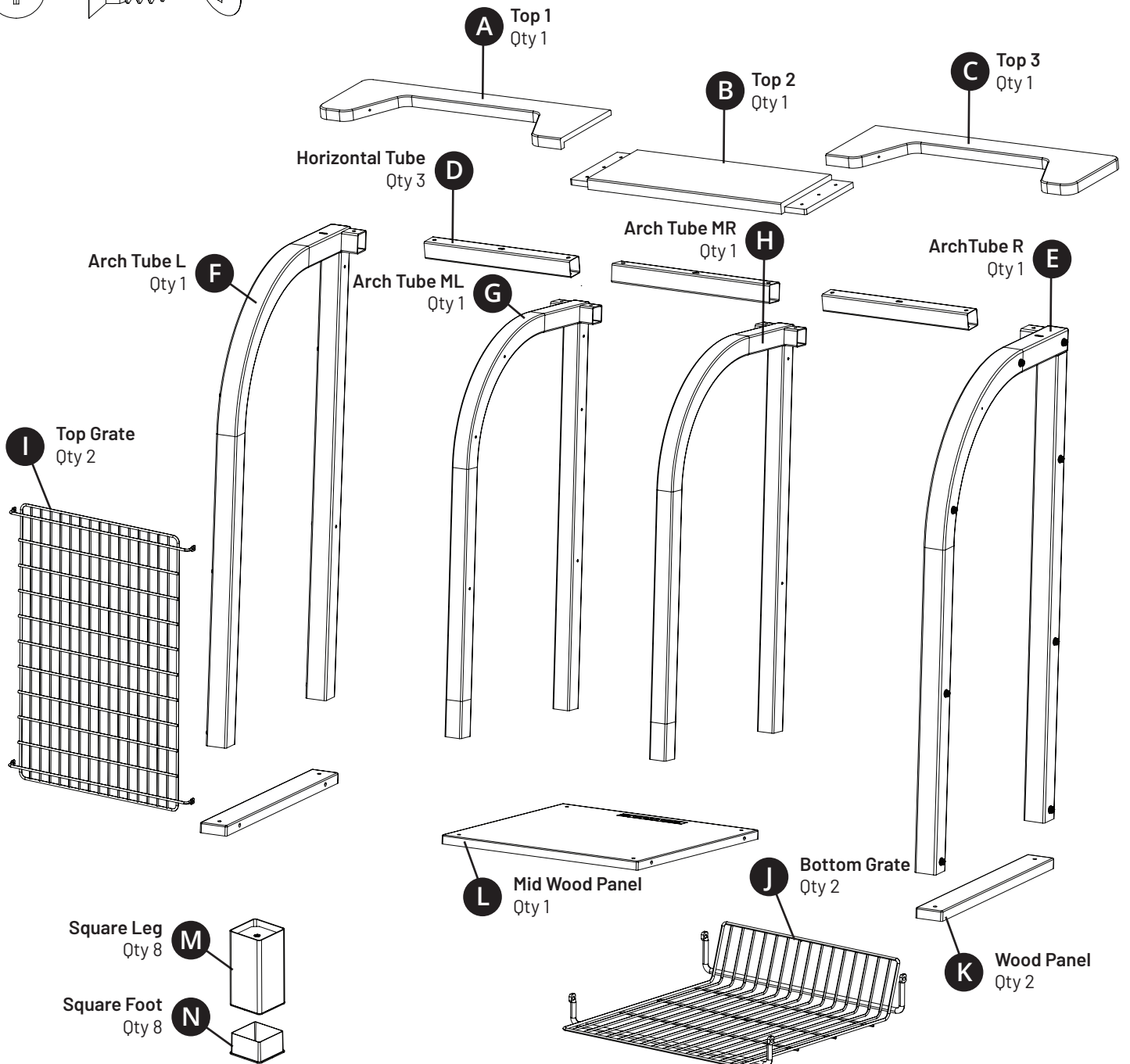
Flat Head Hex Socket
M6 x 10mm (12)



Pan Head Phillips Screws (20) M5 x 20mm

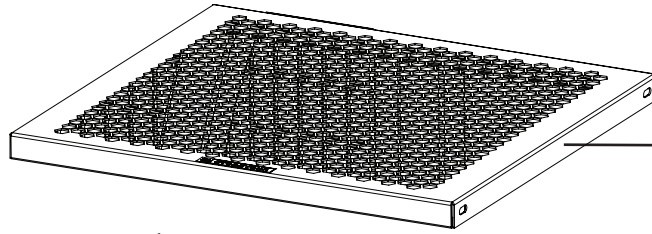


Phillips Flat Head Screws for Wood (6) M4 x 15

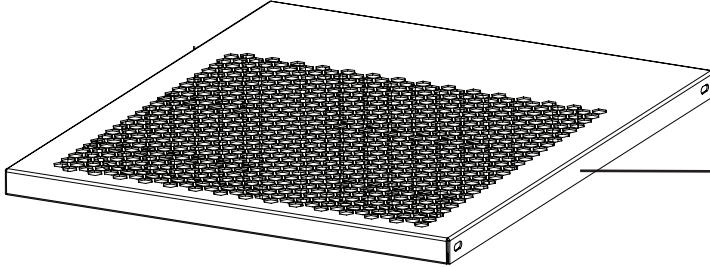


GOLF STORAGE PARTS

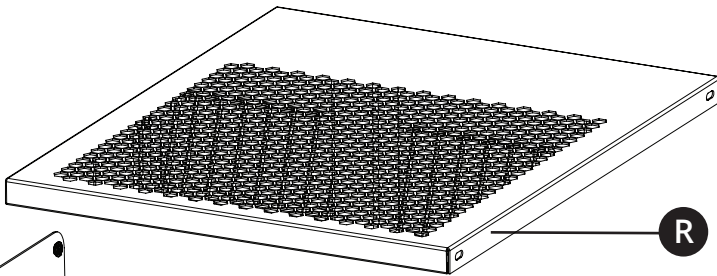
REQUIRED TOOLS:
Phillips Head Screwdriver



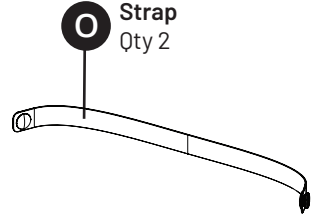
P Shelf
Qty 1



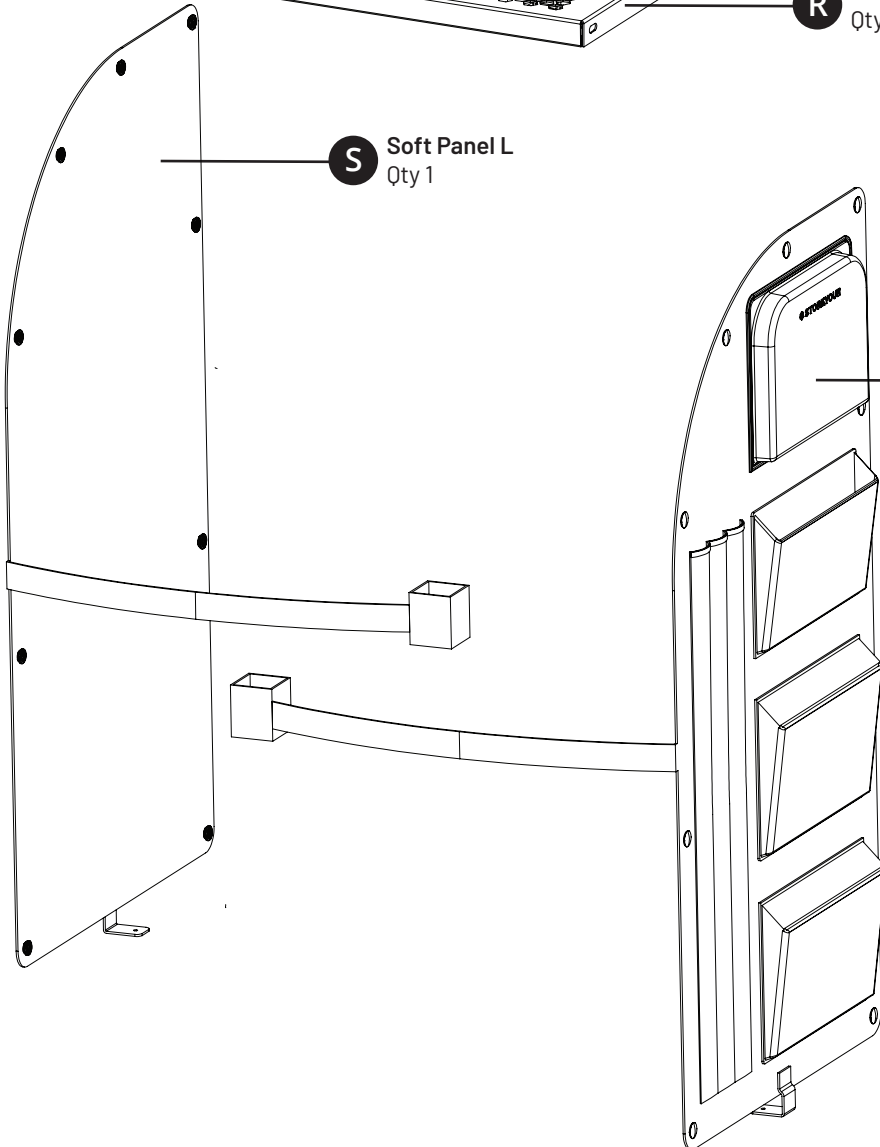
Q Shelf
Qty 1



R Shelf
Qty 1



O Strap
Qty 2



S Soft Panel L
Qty 1

T Soft Panel R
Qty 1

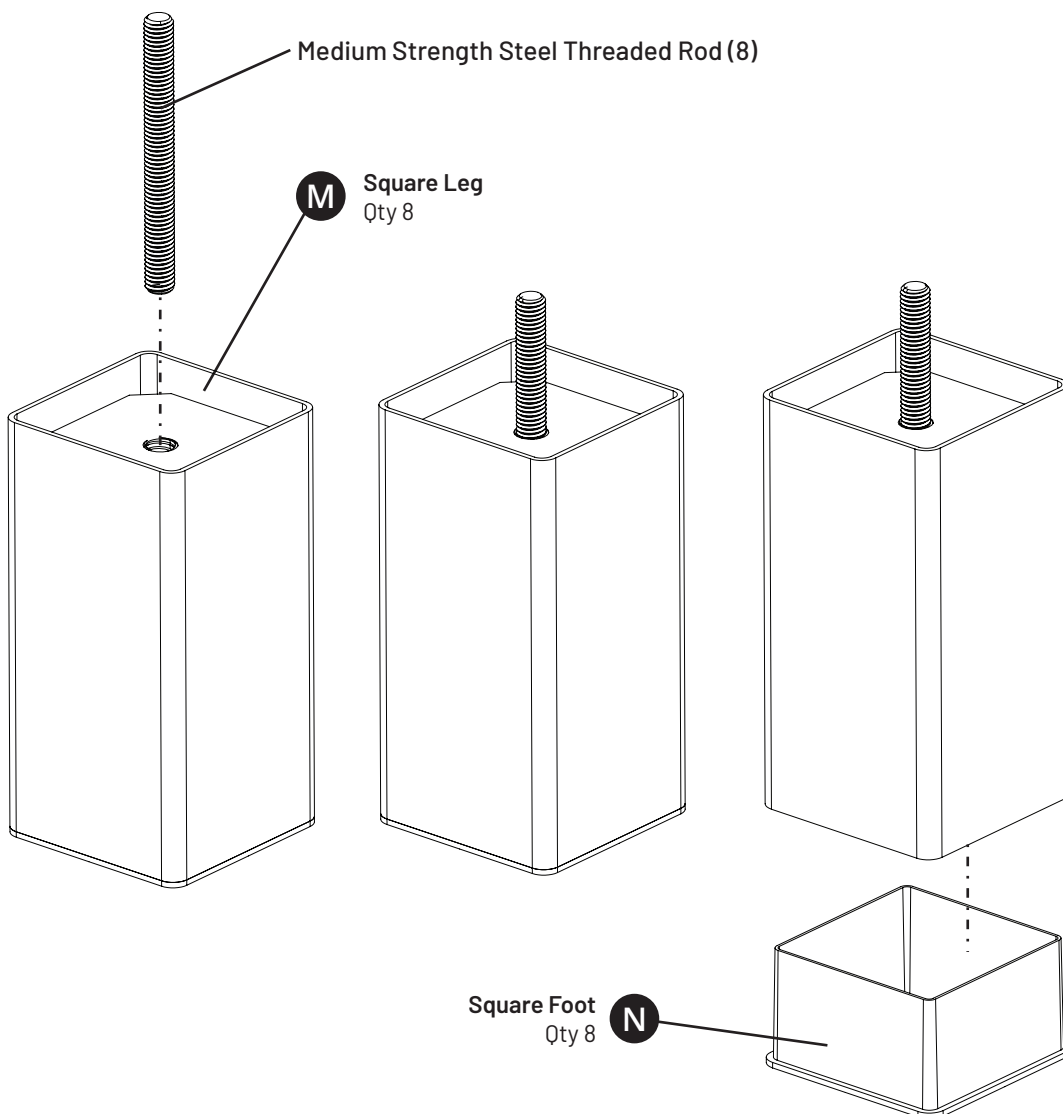
INSTALLATION STEPS

A PLAN YOUR ASSEMBLY

- Locate all of the components for assembly, make sure that you have identified the fasteners.
- It is recommended that you have a clean workspace for the assembly
- Review the assembly document to familiarize yourself to the assembly process.

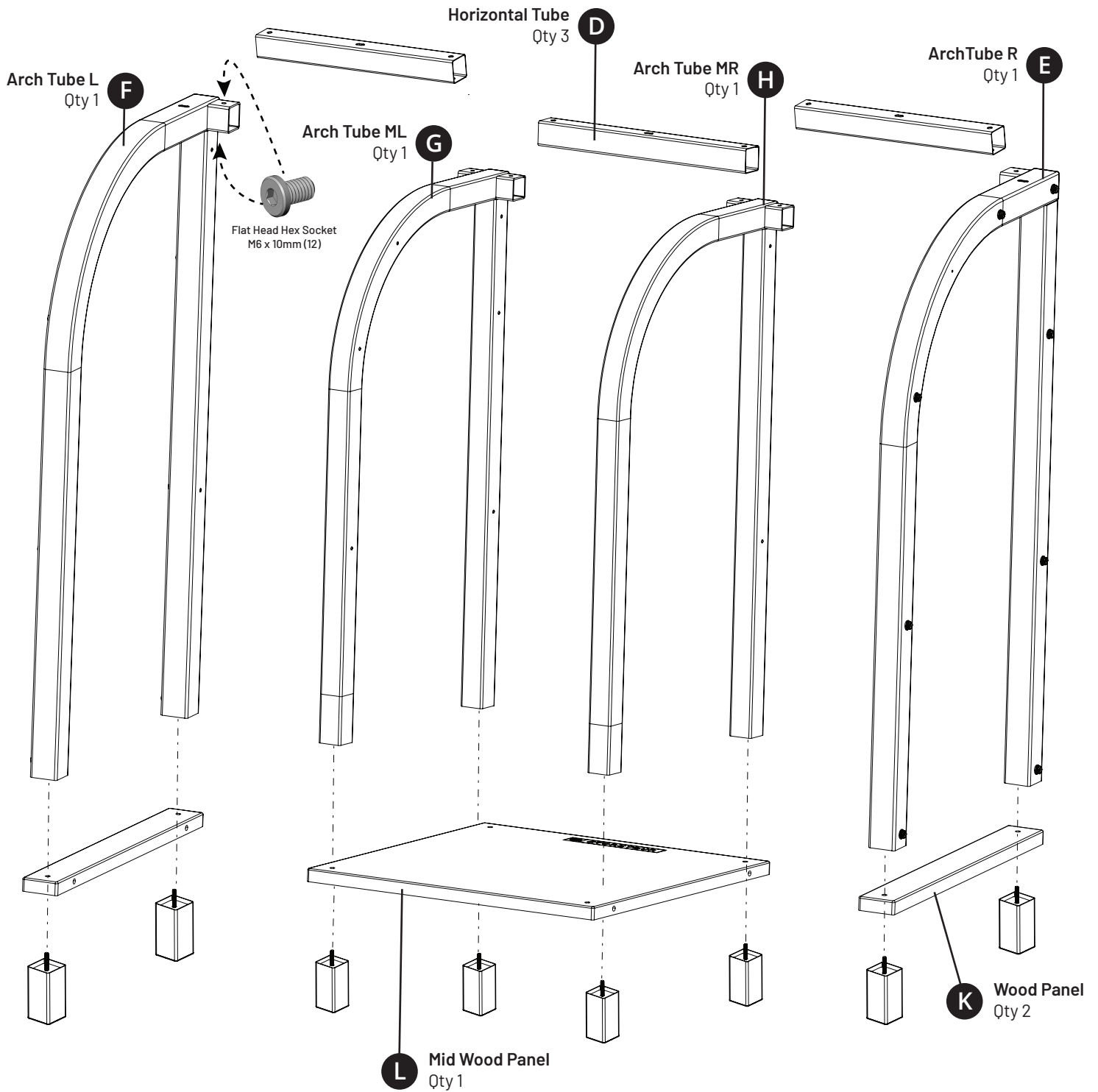
1 ASSEMBLING THE FEET

1. Locate the 8 square tubes for the legs (M), locate the 8 steel rods and the 8 square feet (N).
2. Screw the studs into the square tubes, the studs should protrude 3". Repeat 8 times
3. Press the feet into the square tubes. Repeat 8 times
4. Ready for next step.



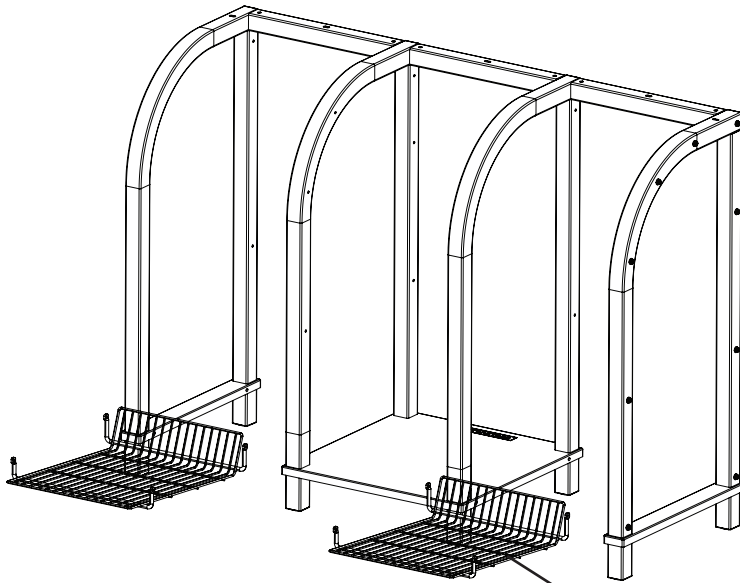
ASSEMBLING THE MAIN STRUCTURE

1. Locate the arch tubes (F,G,H,E), the mid wood panels (L) and the wood panels (K).
2. Locate the legs (M,N) and screw them into the wood panels as in the illustrations.
3. Align the legs so that they are parallel to the arch tubes. make sure they are tightened to hand tightness.
4. Install the horizontal tubes (D) onto the arch tube end caps.



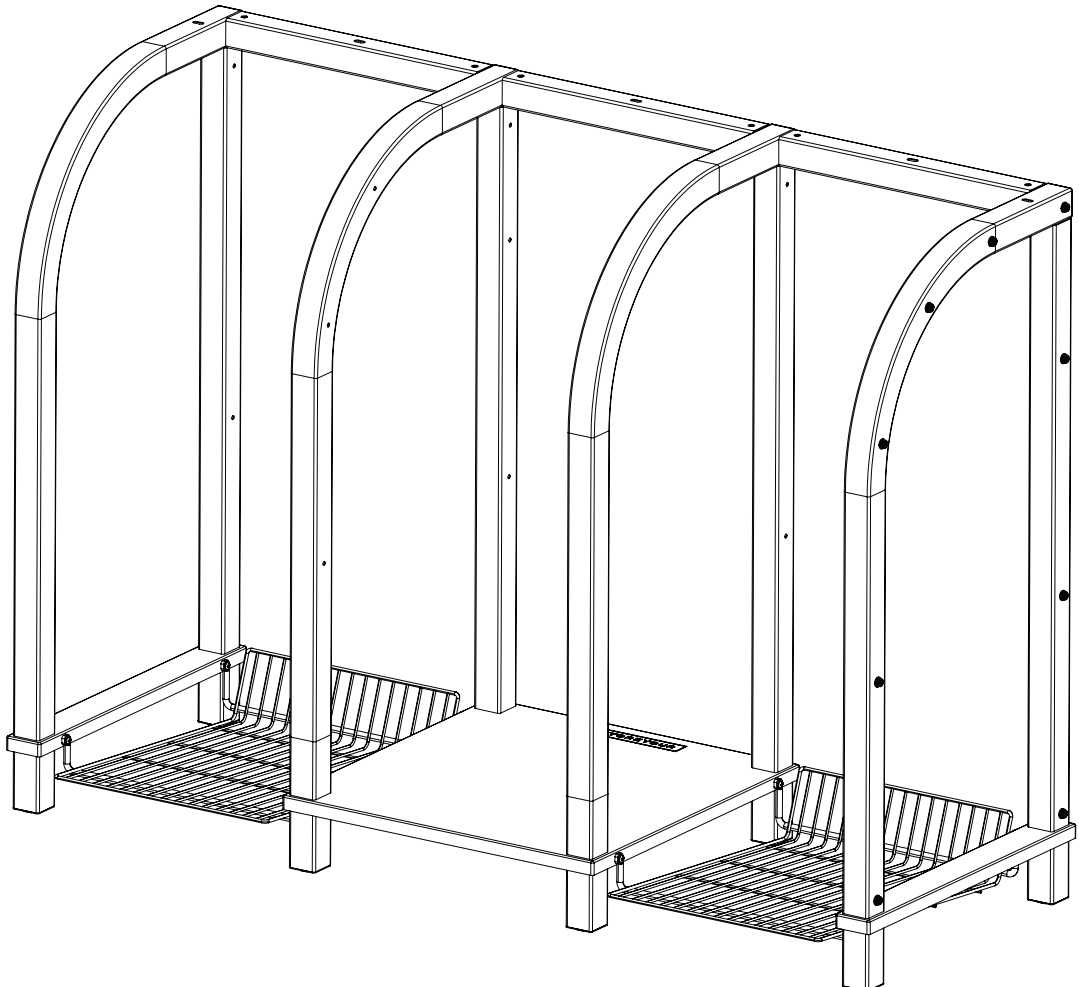
ADDING THE LOWER GRATES

1. The main structure is now assembled, however it is not yet stable.
2. locate the 2 bottom grates (L) and install them using the screws (8 times)
3. Observe the illustration and the proper length screws



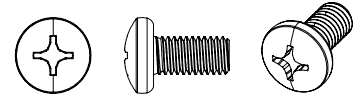
Pan Head Phillips Screws (8pcs) M5 x 18mm

J Bottom Grate
Qty 2

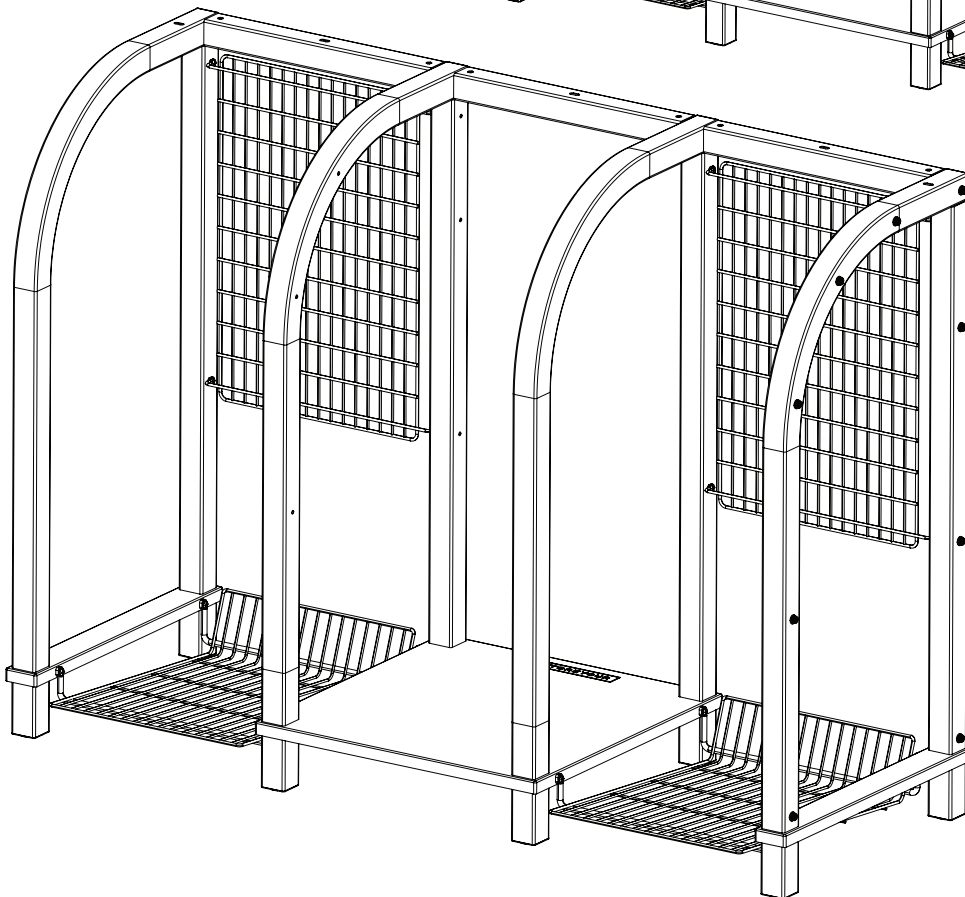
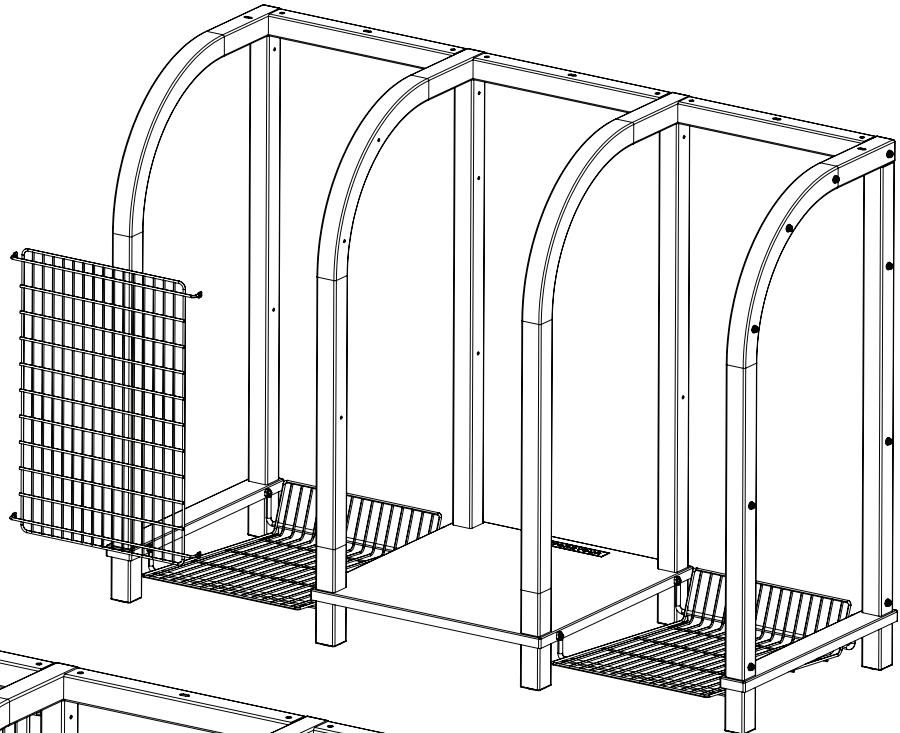
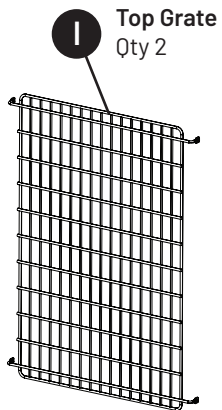


ADDING THE UPPER GRATES

1. Now that the lower grates are in place the structure is becoming more stable
2. locate the 2 top grates (I) and install them using the screws (8 times)
3. Observe the illustration and the proper length screws

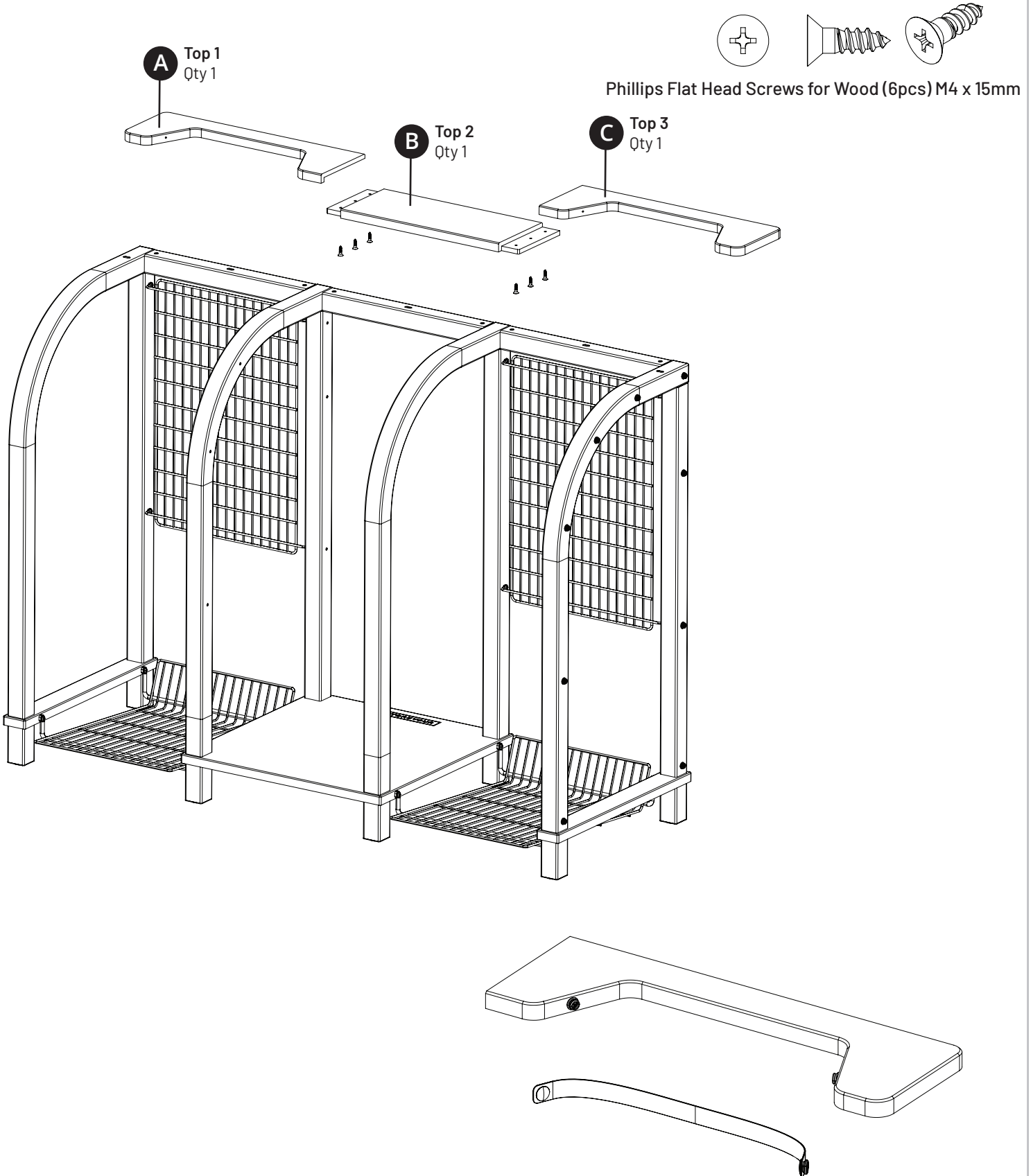


Pan Head Phillips Screws (8pcs) M5 x 10mm



ADDING THE TOP PANELS

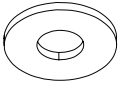
1. The main structure is now assembled with the 4 grates, it is now stable and ready to install the top panels.
2. Locate the 3 panels (A,B,C) and use the (6) wood screws to butt each side to the center section.
3. As a sub assembly, you can add the leather straps to the outer top wood panels.



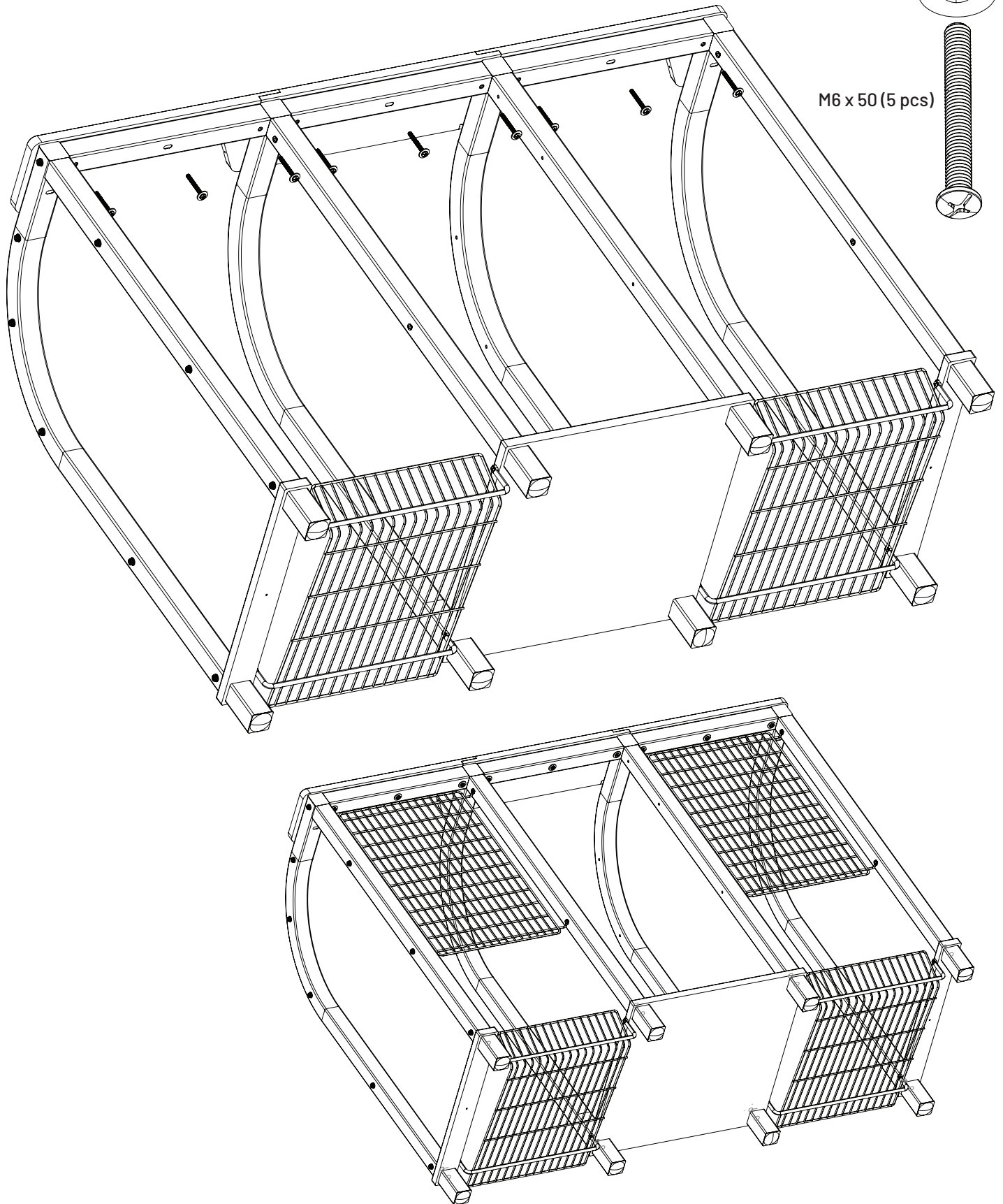
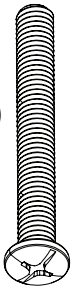
FASTEN THE TOP PANELS TO THE MAIN STRUCTURE

1. Attach the top panels to the main structure and install the 9 screws and washers into the top panel
2. The top grates are removed visually for clarity.
3. Below is what it will look like...

Washer M6 (5pcs)



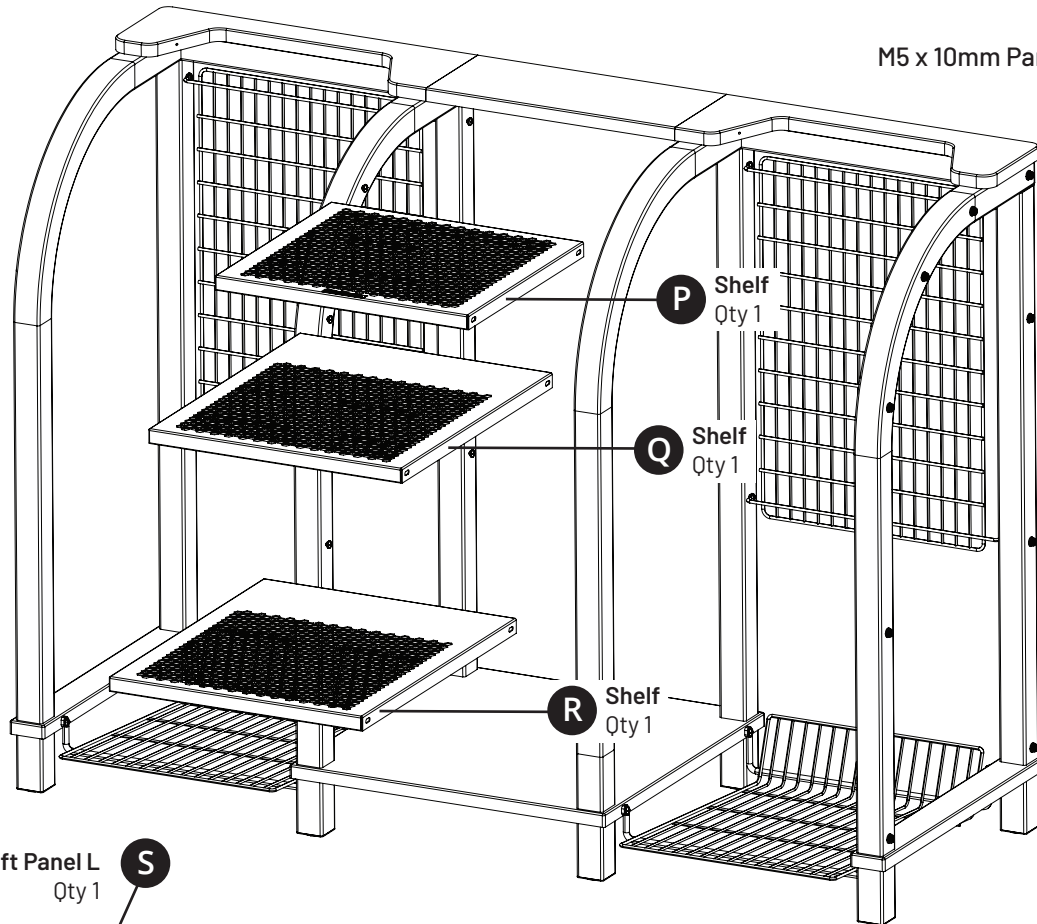
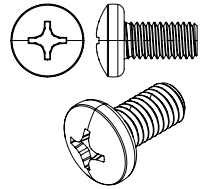
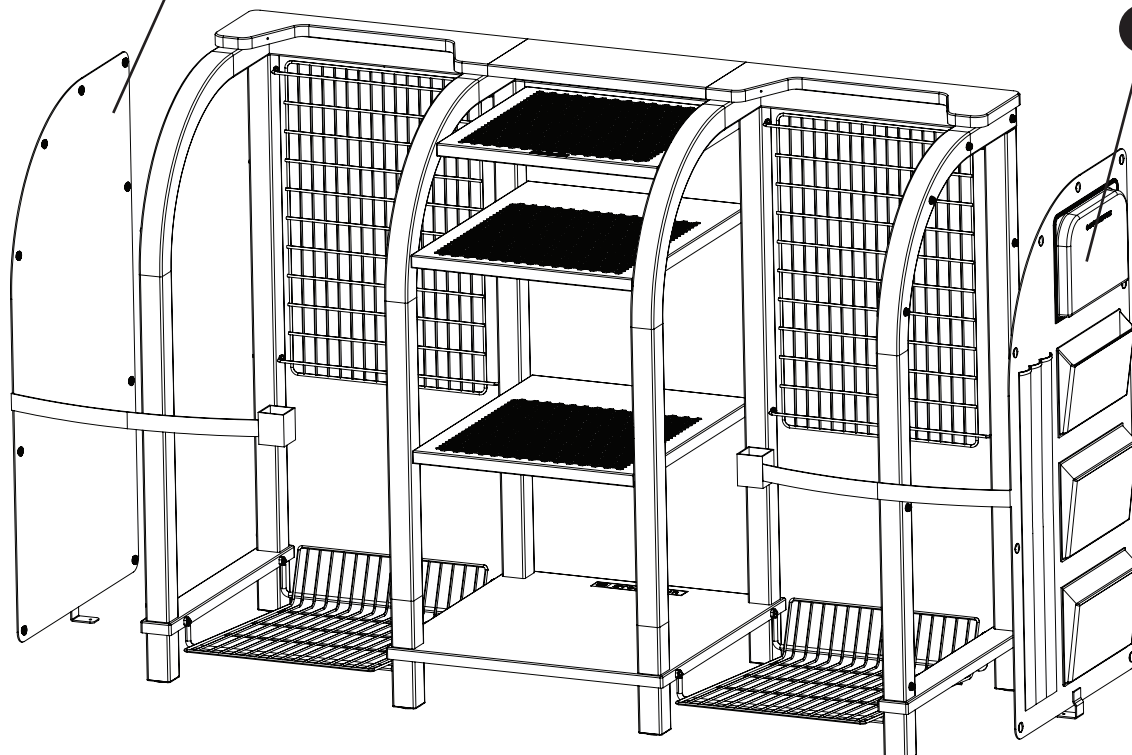
M6 x 50 (5 pcs)



INSTALL THE SHELF PANELS AND SOFT SIDE PANELS.

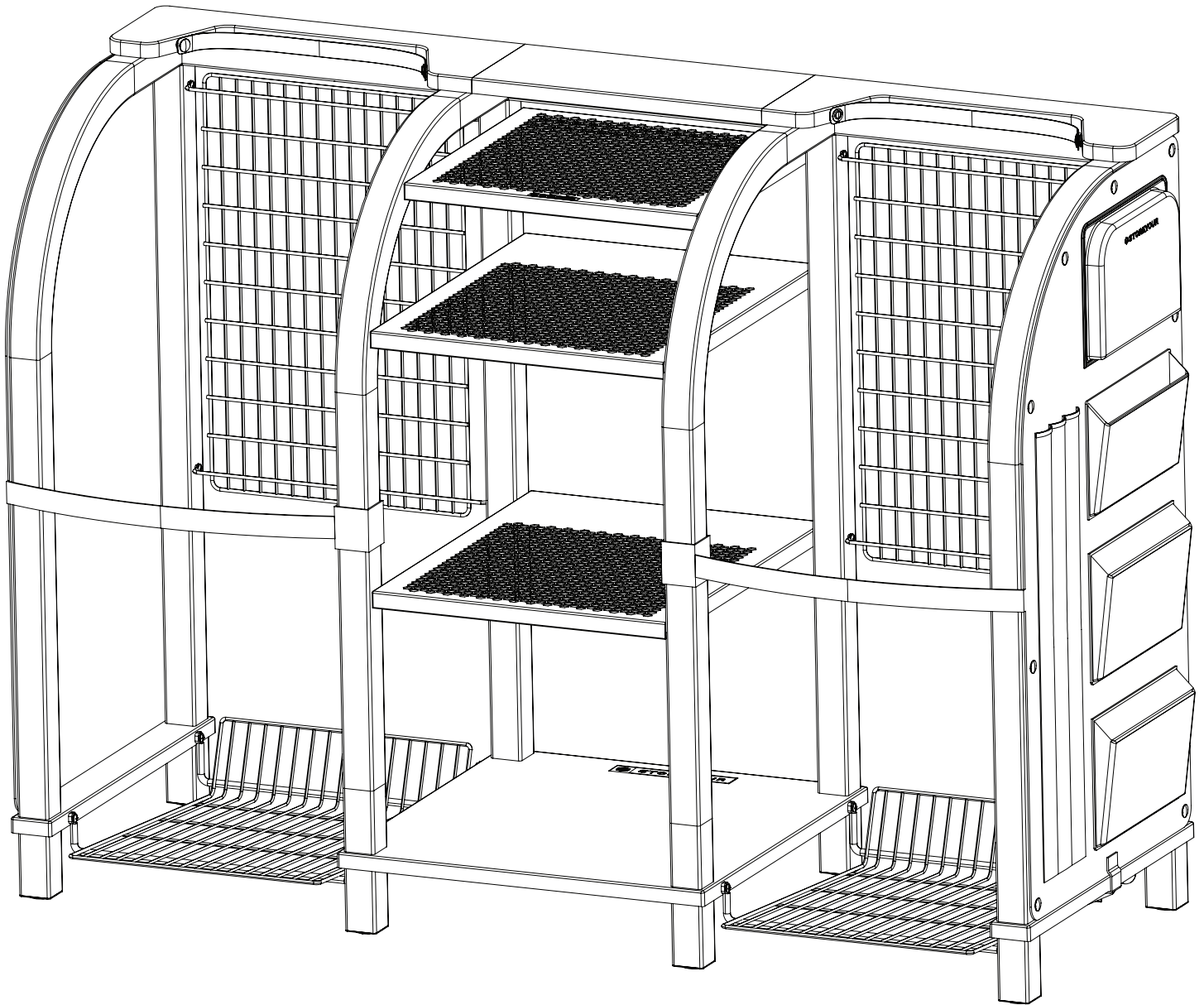
1. Now that the assembly is nearly done, you install the 3 shelf panels
2. the panels are 3 sizes (P,Q,R), smallest on top level and largest near the bottom.
3. Fasten each shelf with 4 machine screws on each shelf.
4. Next you can install the soft side panels (S,T) by snapping the side panels onto the snaps.

M5 x 10mm Pan Head Phillips Screws (8pcs)

Soft Panel L
Qty 1**S****T** Soft Panel R
Qty 1

NOW THE PRODUCT IS FULLY ASSEMBLED

1. Nice work! You're now ready to add your golf gear!



YOU ARE READY TO LOAD...

Warranty Coverage

Spire Collective warrants to the original purchaser ("owner") that all products sold under the StoreYourBoard and Teal Triangle ("Spire Collective") brands will be free from defects in material and workmanship for the applicable Warranty Period, subject to the terms and conditions outlined below. This warranty applies only if the product was purchased from an authorized Spire Collective dealer, and is valid only for the original purchaser.

Warranty Conditions

To claim warranty coverage, owner must:

Owner shall register the product for warranty coverage.

Owner shall return the product to Spire Collective for inspection.

Owner shall ensure the product has been used solely in accordance with its intended purpose and in compliance with Spire Collective's written instructions. Modifications, misuse, or improper installation will void this warranty. Spire Collective retains sole discretion to determine whether a product has been modified, misused, or improperly installed.

Warranty Coverage Details

If a defect arises due to the product's intended use and proper care within the Warranty Period, Spire Collective, at its discretion, will repair or replace the defective product. In certain circumstances, Spire Collective may repair or replace only the specific defective part (e.g., hardware, rack arm, or mounting bracket). If significant chips in powder coating or dents in materials are present upon arrival, Spire Collective may, at its discretion, replace the affected parts.

Exclusions

This warranty does not cover defects arising from conditions outside Spire Collective's control, including, but not limited to:

Misuse, overloading, or failure to assemble, mount, or use the product in accordance with Spire Collective's written instructions or guidelines.

Degradation due to neglect and/or improper care.

Damage caused by accidents, extreme weather, or acts of nature.

Warranty Period

The warranty is valid for the lifetime of the product or its parts unless otherwise specified or excluded in this warranty.

Warranty Disclaimer

The exclusive remedy for any defect under this warranty is the repair, replacement, or refund/credit issued by Spire Collective, at its discretion. Spire Collective is not liable for damage to property or injury to individuals. No warranties, either express or implied, extend beyond this written warranty. Any implied warranties, including those of merchantability or fitness for a particular purpose, are limited to the duration of this express warranty. Some jurisdictions do not allow limitations on implied warranties, so this may not apply to you.

Limitation of Liability

Under no circumstances will Spire Collective be liable for any incidental or consequential damages arising from a breach of warranty, contract, negligence, tort, or strict liability. Some jurisdictions do not allow exclusions of incidental or consequential damages, so this limitation may not apply to you.

Legal Rights

This warranty provides you with specific legal rights, and you may also have additional rights which vary by jurisdiction.

Warranty Availability

This warranty is only valid in the United States. No Spire Collective reseller, agent, or employee is authorized to modify or extend this warranty.

To receive updates on product information, warranty details, and safety instructions, please register your product with Spire Collective.

Marine Grade Lifetime Warranty:

Marine Grade Products are covered by our Lifetime Warranty if installed under saltwater conditions, provided that the product is properly maintained and cleaned according to the manufacturer's guidelines. Damage or malfunctions caused by neglect, improper care, or failure to follow maintenance recommendations will not be covered.

To ensure your product's longevity in saltwater environments, regular cleaning and maintenance is required.

For further assistance or inquiries, please contact our customer service team at info@storeyourboard.com.

Thank you for purchasing another great product by



STOREYOUR

StoreYour is headquartered at 24 Conestoga Way, Troy, VA 22974