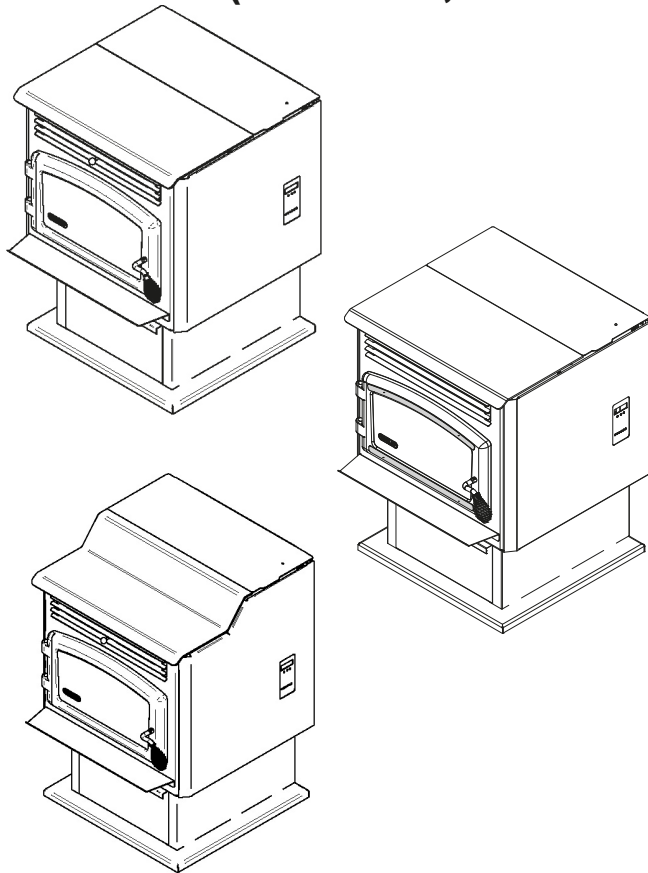




OPERATION MANUAL

ECO-55, ECO-55 CT and ECO-55 ST (DP00070, DP00072 and DP00071 models)

Safety tested according to ULC S627,
UL1482 and ASTM E1509 by
an accredited laboratory



ENGLISH
FRANÇAIS

**INSTALLATION BY A PROFESSIONAL
IS STRONGLY RECOMMENDED**

Stove Builder International inc.
250, rue de Copenhague,
St-Augustin-de-Desmaures (Québec) Canada
G3A 2H3

Customer service: 418-908-8002
E-mail: tech@sbi-international.com
www.drolet.ca

CONTACT LOCAL BUILDING OR FIRE OFFICIALS ABOUT RESTRICTIONS AND INSTALLATION INSPECTION REQUIREMENTS IN YOUR AREA.

PLEASE READ THIS ENTIRE MANUAL BEFORE INSTALLATION AND USE OF THIS PELLET FUEL-BURNING ROOM HEATER. FAILURE TO FOLLOW THESE INSTRUCTIONS COULD RESULT IN PROPERTY DAMAGE, BODILY INJURY OR EVEN DEATH.

READ AND KEEP THIS MANUAL FOR REFERENCE



This manual is available for free download on the manufacturer's website. It is a copyrighted document. Re-sale is strictly prohibited. The manufacturer may update this manual from time to time and cannot be responsible for problems, injuries, or damages arising out of the use of information contained in any manual obtained from unauthorized sources.


1. GENERAL INFORMATION

As one of North America's largest and most respected pellet stove, wood stove and fireplace manufacturers, Stove Builder International takes pride in the quality and performance of all its products. We want to help you get maximum satisfaction as you use this product.

In the pages that follow you will find general advice and guidance on how to get the best performance from this pellet heating system.

We highly recommend that our pellet burning hearth products be installed and serviced by professionals who are certified in the United States by NFI (National Fireplace Institute) or in Canada by WETT (Wood Energy Technology Transfer) or in Quebec by APC (Association des Professionnels du Chauffage).

You may need to get a building permit for the installation of this appliance and the venting system that it is connected to. Consult your municipal building department or fire department before installation. We recommend that you also inform your home insurance company.

DANGER	
	<p>HOT WHILE IN OPERATION, KEEP CHILDREN, CLOTHING AND FURNITURE AWAY. CONTACT MAY CAUSE SKIN BURNS.</p>


NOTICE
<p>This heating unit is designed to serve as a supplementary heat source. We recommend that a primary heat source also be available in the home. The manufacturer cannot be responsible for costs associated with the use of another heating system.</p>

NOTICE
<p>It is highly recommended to buy this product from a retailer who can provide installation and maintenance advice.</p>

NOTICE
<p>The information given on the certification label affixed to the appliance always overrides the information published, in any other media (owner's manual, catalogues, flyers, magazines or web sites).</p>

NOTICE
<p>Mixing of appliance components from different sources or modifying components is prohibited and will void the warranty. Any modification of the stove that has not been approved in writing by the testing authority is prohibited and violates CSA B365 (Canada) and NFPA 211 (USA).</p>

NOTICE
<p>Stove Builder International inc. (SBI) grants no warranty, implied or stated, for the poor installation or lack of maintenance of your appliance and assumes no responsibility of any consequential damages.</p>

	<p>This product can expose you to chemicals including carbon monoxide, which is known to the State of California to cause cancer, birth defects or other reproductive harm. For more information go to www.P65warnings.ca.gov/</p>
---	---

<u>REGISTER YOUR WARRANTY ONLINE</u>
<p>To receive full warranty coverage, you will need to show evidence of the date you purchased your stove. Keep your sales invoice. We also recommend that you register your warranty online at:</p> <p>https://www.drolet.ca/en/warranty/warranty-registration/</p> <p>Registering your warranty online will help us to quickly track the information we need about your stove.</p>

TABLE OF CONTENTS

1. GENERAL INFORMATION	2
2. GENERAL INFORMATION AND APPLIANCE PERFORMANCE	4
3. COMBUSTIBLE	4
3.1 RECOMMENDED PELLETS	4
3.2 PELLETS STORAGE	5
4. STOVE CONTROLS	5
5. STOVE OPERATION	6
5.1 BEFORE OPERATING THE STOVE	6
5.2 STARTUP	6
5.3 REFUELING	6
5.4 SHUT DOWN	7
5.5 SIGNS OF OVERHEATING	7
5.6 THERMOSTAT MODE	7
5.7 CONVECTION ADJUSTMENTS	8
5.8 AIR INTAKE ADJUSTMENTS	8
6. STOVE MAINTENANCE	8
6.1 MAINTENANCE SAFETY	8
6.2 RECOMMENDED TOOLS	9
6.3 ASHES REMOVAL	9
6.4 MAINTENANCE CALENDAR	10
6.5 MAINTENANCE TECHNIQUES	10
7. VENTING SYSTEM MAINTENANCE	14
7.1 SOOT AND FLY ASHES	14
8. TROUBLESHOOTING	14
8.1 PRINCIPAL ERROR CODES	14
LIFETIME WARRANTY	16

2. GENERAL INFORMATION AND APPLIANCE PERFORMANCE⁽¹⁾

Baffle material	Stainless Steel
Type of door	Single, glass with cast iron frame
Glass type	Ceramic glass
Blower	Included (up to 176 PCM)
Noise level at 6 feet	47 dBa (+/- 3 dBa) 60 dBa (+/- 3 dBa)
Fuel type	Wood Pellet (Premium grade or better)**)
Recommended heating area[*]	500 to 2,000 ft ² (46 to 186 m ²)
Hopper capacity	ECO-55/ ECO-55 CT = 60 lb (27.3 kg); ECO- 55 ST = 80lb (36.3kg)
Maximum burn time[*]	ECO-55,ECO-55 CT = 51h; ECO-55 ST = 69h
Maximum heat input rate⁽²⁾	39,260 BTU/h (11.5 kW)
Overall heat output rate (min. to max.)⁽³⁾	6,648 BTU/h to 28,540 BTU/h (1.95 kW to 8.36 kW)
Average overall efficiency⁽³⁾	70.3% (HHV ⁽⁴⁾) 75.8% (LHV ⁽⁵⁾)
Optimum efficiency⁽⁶⁾	78.4%
Burn rate	1.2 lb/h to 4.7 lb/h (0.54 kg/h to 2.14 kg/h)
Average particulate emissions rate⁽⁷⁾	0.96 g/h (EPA / CSA B415.1-10)
Average CO⁽⁸⁾	7.6 g/h
Average electrical power consumption⁽⁹⁾	1.3A (51W) min. / 2.5A (140W) max. for continuous operation

(1) Values are as measured per test method, except for the recommended heating area, hopper capacity, maximum burn time and maximum heat input rate. Results may vary depending on pellet quality, density, length, and diameter.

[*] Recommended heating area and maximum burn time may vary subject to location in home, chimney draft, heat loss factors, climate, fuel type, feed rate, fuel level, and other variables. The recommended heated area for a given appliance is defined by the

manufacturer as its capacity to maintain a minimum acceptable temperature considering that the space configuration and the presence of heat distribution systems have a significant impact in making heat circulation optimum.

(**) Grades of pellet fuel are determined by organizations such as Pellet Fuels Institute (PFI), ENplus and CANplus.

(2) Based on the maximum burn-rate and a dry energy value of pellet at 8,600 BTU/lb.

(3) As measured per CSA B415.1-10 stack loss method.

(4) Higher Heating Value of the fuel.

(5) Lower Heating Value of the fuel.

(6) Optimum overall efficiency at a specific burn rate (LHV).

(7) This appliance is officially tested and certified by an independent agency

(8) Carbon monoxide.

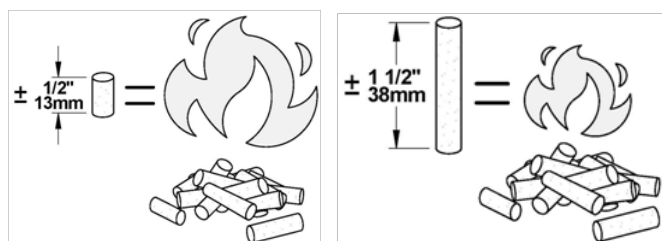
(9) Unless stated otherwise, measures were taken directly at the main power source and include all electrical components present in the appliance.

3. COMBUSTIBLE

3.1 RECOMMENDED PELLETS

Type : Wood pellet, premium grade or better, certified by PFI, ENplus or CANplus.

Size : Diameter between ¼" or 5/16" and not over 1" long. Longer or thicker pellets will affect the constancy of pellet feed.



Ash contents: Less than 1%. Ash contents more than 1% will increase maintenance frequency, combustion problems and will increase the stove emission.

Moisture content: Wet pellets will be very hard to ignite and will greatly affect the feeding process of the stove. Using dry pellets will maintain the performance of your stove.

NOTICE

Burning other types of pellets is prohibited. It violates the building codes for which the stove has been approved and will void the warranty.

3.2 PELLETS STORAGE

WARNING

**DO NOT STORE FUEL WITHIN STOVE
MINIMUM CLEARANCE TO COMBUSTIBLE.**

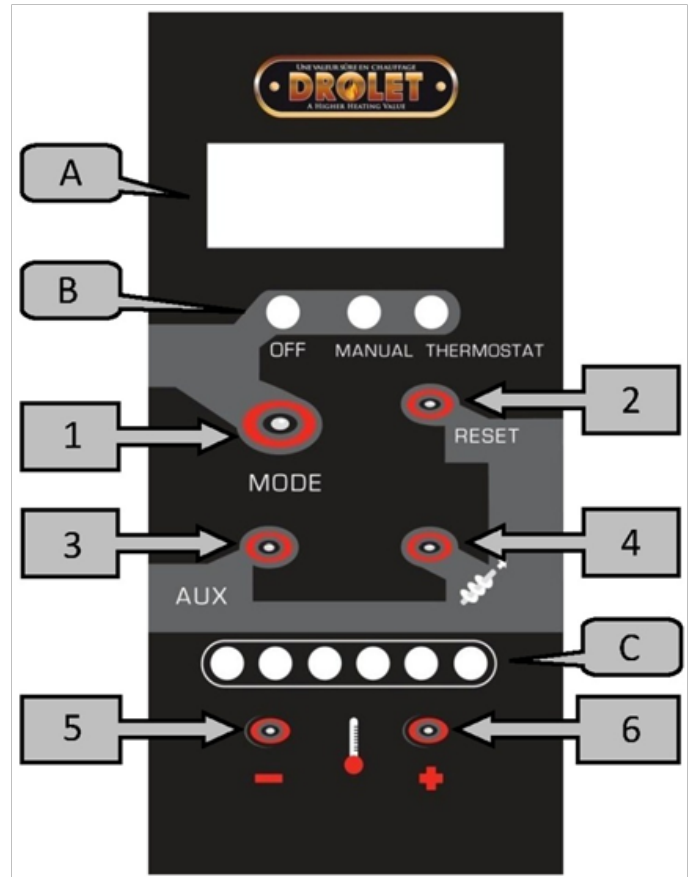
Pellets bags should be stored in a dry and well ventilated area, if possible. If they are to be stored outside, remember that pellets bags are not water tight. It is best to keep the pallet wrapper as intact as possible and cover it with a tarp.

Having a bag or two in the same room as the stove for refueling is a good idea. The minimum clearances to combustible materials and the space required for refilling and ash removal needs to be respected.

4. STOVE CONTROLS

The blowers and automatic fuel supply are controlled from a control panel on the right-hand side of the stove. The control panel buttons and display areas are as follows:

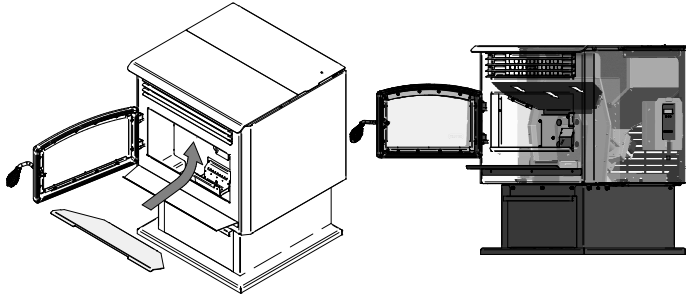
- A. Control panel display area.
- B. Stove state display area.
- C. Stove heating intensity display area, level 1 to 6.
 1. **MODE:** the «MODE» button is used to either turn off the appliance (OFF), turn it on in manual operation (MANUAL) or in thermostatic operation (THERMOSTAT).
 2. **RESET:** The «RESET» button is used to reset the stove after the appearance of most of the warning codes.
 3. **AUX:** The «AUX» button is used to adjust the convection air speed.
 4. **AUGER:** The «Auger» button is used to fill the auger with pellets.
 5. **MINUS:** The « - » button is used to reduce the pellet feeding rate thus reducing the heat output of the stove.
 6. **PLUS:** The « + » button is used to increase the pellet feeding rate thus increasing the heat output of the stove.



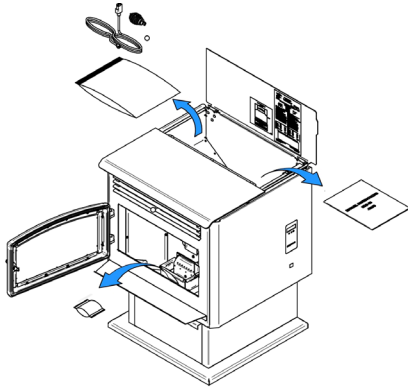
5. STOVE OPERATION

5.1 BEFORE OPERATING THE STOVE

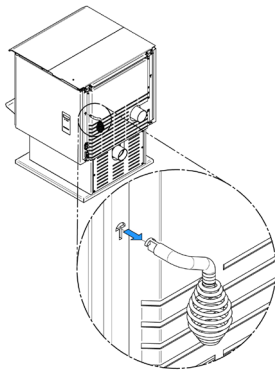
- Make sure the baffle is properly installed.



- Make sure that all tools and other accessories that have been stored in your unit for transport have been removed.



- Make sure that the burn pot is in place properly, that there is enough pellets in the hopper and that the recommended maintenance schedule has been followed
- The stove handle is removable. When the stove is in operation, it must be stored behind the stove, as shown in the image below.



5.2 STARTUP

Press the «MODE» button to turn the stove on in manual mode (MANUAL) or thermostat mode (THERMOSTAT). When the «MODE» button is

pressed, the stove will automatically ignite. No fire starter is required.

By pressing on the «+» or «-» buttons, you will be able to increase or decrease the feed rate, and thereby the intensity level of the stove. Intensity levels change, from 1 to 6, can be visualized by the red light in the heating intensity display area.

NOTICE

During the first few fires, your stove will emit an odor and a small amount of fumes as the high temperature paint cures or becomes seasoned to the metal. Maintaining smaller fires will minimize this. Avoid placing items on stovetop during this period to avoid damaging the paint surface. Make sure the room is well-ventilated. Open windows. **Odors and fumes released during this process are unpleasant but they are not toxic.**

Make two or three low intensity fires to initiate the hardening and conditioning process. Then, make high intensity fires until the stove no longer smells like paint.

CAUTION

NEVER USE A GRATE OR OTHER MEANS OF SUPPORTING THE FUEL. ONLY USE THE APPROVED STOVE BURN POT AND DO NOT MODIFY IT.

5.3 REFUELING

When the stove is running, you have 90 seconds to fill the hopper before the stove stops. You will hear a beeping sound that will intensify every 30 seconds. After 90 seconds, if the hopper lid is still open, the stove will stop and display the warning code «d». For more information, see the «Troubleshooting» section.

Note that opening the hopper lid will stop the auger from feeding the pellet stove.

When the stove is stopped, there is no time limit for filling the hopper.

Do not overload the hopper.

CAUTION

KEEP HOPPER LID CLOSED AT ALL TIMES EXCEPT WHEN REFUELING.

5.4 SHUT DOWN

To turn the stove off, press the «MODE» button until the red light is in the OFF position. The cooling cycle will take a few minutes. The blowers will continue to work while the stove is cooling down.

NOTICE

Never disconnect the power cord to turn off the stove.

5.5 SIGNS OF OVERHEATING

If the stove is overheating, it will become very hot and will shut itself down, showing an H error code. If this occurs, wait for the stove to cool down and perform the weekly maintenance of the stove suggested in the maintenance calendar. Carefully inspect the venting system. Have it swept, if necessary. Press on the «MODE» and «RESET» buttons simultaneously for 3 seconds to reset the stove.

After three H code occurrence, the stove control will be locked and it will be impossible to reset it and restart the stove. Before unlocking the stove control, perform the biannual maintenance suggested in the maintenance calendar. Carefully inspect the venting system. Have it swept, if necessary.

When maintenance is done, press the following buttons, one at a time : «RESET», «MODE», «+», «-», then press on the «AUGER» for 5 seconds.



DANGER



IF ANY EXTERNAL PART OF THE STOVE BEGINS TO GLOW RED, THE STOVE IS OVERHEATING. IMMEDIATELY TURN THE STOVE OFF. DO NOT UNPLUG IT AND DO NOT OPEN THE DOOR. UNPLUGGING THE STOVE WILL DISABLE ALL THE SAFETY FEATURES OF THE STOVE.



DANGER



AN OVERHEATING STOVE MAY LEAD TO A HOUSE FIRE. EACH H CODE SHOULD BE FOLLOWED BY A STOVE MAINTENANCE AND A VENTING SYSTEM VERIFICATION.

5.6 THERMOSTAT MODE

A thermostat may help maintaining a stable room temperature automatically. A Low voltage thermostat is required. A fixed wall mount or hand held model can be used.

To use the thermostat mode, press the «MODE» button until you reach the «THERMOSTAT» position. Then select the intensity level using the «-» or «+» buttons. In thermostatic mode, the stove will operate at the selected intensity level until the room temperature has reached the programmed level on the thermostat.

5.5.1 PILOT MODE SELECTION

The factory setting of the pilot mode is AUTO. To change it, press on the «-» and «MODE» buttons simultaneously for 3 seconds. The selected mode will appear on the control panel display area.

Pilot AUTO (Intensity level 1): When the thermostat stops requiring heat, the unit will remain at its lowest intensity level (#1) and will shut down after 15 minutes, if there is no demand for heat.

Pilot AUTO (Intensity level 2 to 6): When the thermostat stops requiring heat, the unit automatically switch to its lowest intensity level (#1) until the thermostat requires heat again. The stove will shut down after 45 minutes, if there is no demand for heat.

Pilot ON: When the thermostat stops requiring heat, the unit automatically switch to its lowest intensity level (#1) until the thermostat requires heat again. The stove will never shut down, even if there is no demand for heat.

NOTICE

To avoid premature wear of the components, it is recommended to use the «Pilot ON» mode during the coldest months and the «Pilot AUTO» mode during the warmest months.

5.7 CONVECTION ADJUSTMENTS

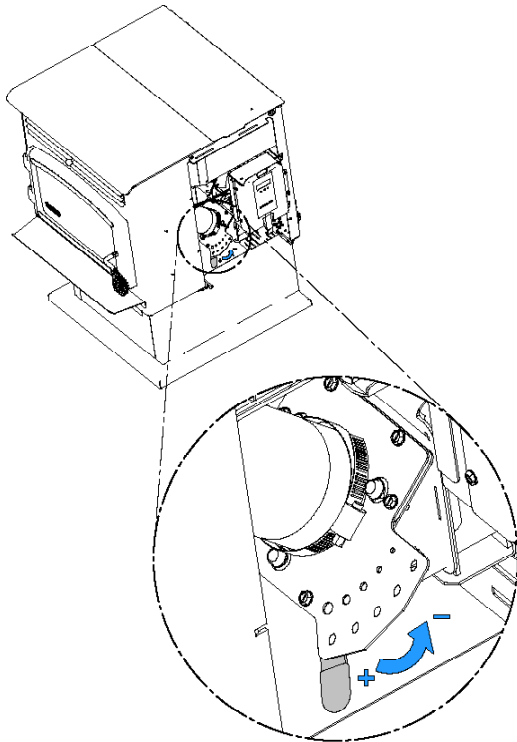
Each intensity level has been programmed with an optimum convection speed. However, it is possible to increase the convection air speed by pressing the «AUX» button. All intensity levels can be increased at the exception of the intensity level 6, which is already at its maximum speed.

5.8 AIR INTAKE ADJUSTMENTS

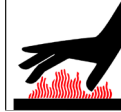
It is possible to adjust the amount of combustion air entering the stove.

Using the stove to the lowest setting will reduce missed ignition, will ignite pellets faster and will reduce the blackening of the window, when using high quality pellets. If you should find one bag of pellets harder to ignite and to burn, opening the air control will help.

To open or close the manual air control, open the right decorative panel and locate the air intake. Push down the tab and slide upwards to decrease the air supply and downwards to increase the air supply.

**6. STOVE MAINTENANCE****NOTICE**

To simplify this section, only the ECO-55 is presented. Note that all the cleaning steps are carried out the same way for the ECO-55 ST.

6.1 MAINTENANCE SAFETY**WARNING**

HOT SURFACE. ALLOW TO COOL BEFORE SERVICING.

DANGER

DISCONNECT ALL SOURCE OF POWER BEFORE SERVICING THE STOVE.

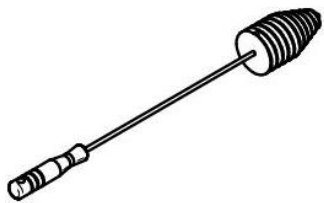
CAUTION

FAILURE TO CLEAN AND MAINTAIN THIS STOVE AS INDICATED CAN RESULT IN POOR PERFORMANCE AND SAFETY HAZARDS.

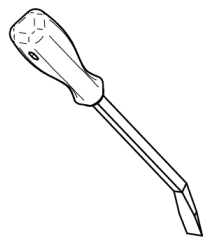
NOTICE

Cleaning the stove and the venting system is especially important at the end of the heating season to minimize corrosion during the summer months, caused by accumulated ash.

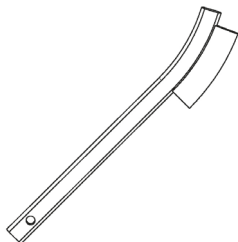
6.2 RECOMMENDED TOOLS



Universal Brush



Scraper



Steel Brush



Round Brush + Rod



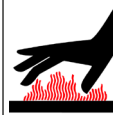
Glass Cleaner



Ash Vacuum

6.3 ASHES REMOVAL

WARNING



NEVER VACUUM ASHES WHEN HOT. ASHES MUST BE COOLED DOWN BEFORE MAINTENANCE.

WARNING

ASHES SHOULD BE PLACED IN A METAL CONTAINER WITH A TIGHT FITTING LID. THE CLOSED METAL CONTAINERS SHOULD BE PLACED ON A NONCOMBUSTIBLE SURFACE, WELL AWAY FROM ALL COMBUSTIBLE MATERIALS, PENDING FINAL DISPOSAL. IF THE ASHES ARE DISPOSED OF BY BURIAL IN SOIL OR OTHERWISE LOCALLY DISPERSED, THEY SHOULD BE RETAINED IN THE CLOSED CONTAINER UNTIL ALL CINDERS HAVE BEEN THOROUGHLY COOLED.

CAUTION

THE USE OF A DOMESTIC, CENTRAL OR COMMERCIAL VACUUM CLEANER TO PERFORM THE MAINTENANCE OF YOUR PELLET STOVE IS NOT RECOMMENDED. THE USE OF AN ASH VACCUM CLEANER IS HIGHLY RECOMMENDED.

6.4 MAINTENANCE CALENDAR

NOTICE

Cleaning frequency may vary depending on the type of fuel used. Fuel with higher ash content will increase cleaning frequency.

The cleaning frequency suggested in the following section applies to normal use of the appliance. Each step of the maintenance is illustrated in detail in the following sections.

DAILY MAINTENANCE

1. Activate the cleaning rod a few times.
2. Empty the burn pot.
3. Wipe the glass.

WEEKLY MAINTENANCE (+/- 10 BAGS)

1. Activate the cleaning rod a few times.
2. Empty and brush the baffle.
3. Empty and scrape the burn pot.
4. Vacuum cold ashes from the combustion chamber or push them in the ash drawer.
5. Clean the glass.

BIANNUEL MAINTENANCE (+/- 25 BAGS)

1. Vacuum cold ashes from the exhaust tubes and from the heat exchanger.
2. Brush the combustion chamber and vacuum the cold ashes from the combustion chamber or push them in the ash drawer.
3. Inspect the venting system.
4. Inspect all gaskets.

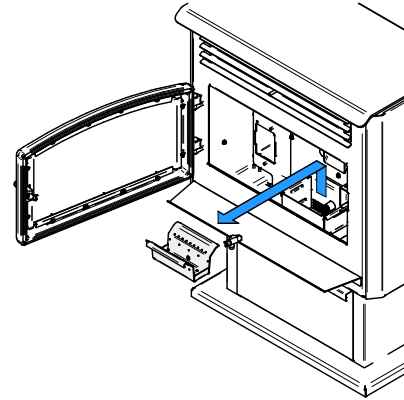
ANNUAL MAINTENANCE (+/- 1 TON)

1. Sweep venting system.
2. Empty and vacuum hopper.

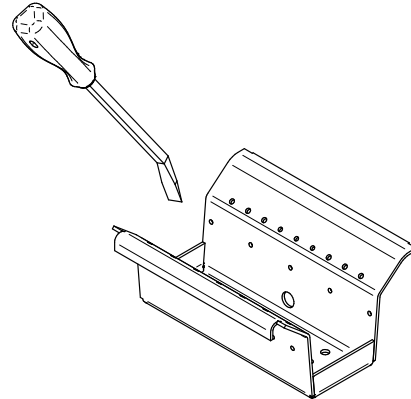
6.5 MAINTENANCE TECHNIQUES

6.5.1 BURN POT

Remove and empty burn pot.



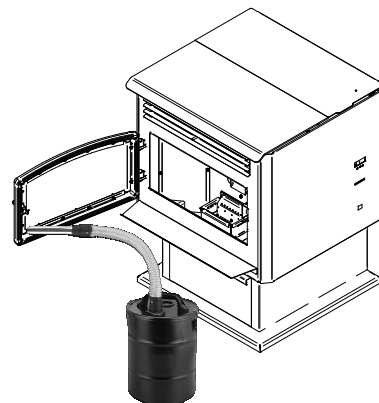
Scrape, when necessary.



6.5.2 Glass

Vacuum the ashes that may have accumulated into the airwash system inlet between the bottom glass retainer and the glass. This will allow an optimum air flow along the inside portion of the glass and prevents the glass from sooting-up.

Clean the glass when necessary. The use of a stove glass cleaner is recommended. Regular household glass cleaners will not remove creosote properly.

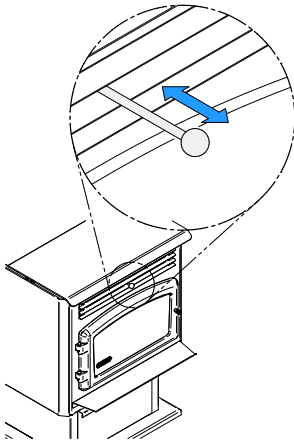


NOTICE

- Never use abrasive cleaners on the glass or on any plated part.
- Do not clean the glass while it's hot.
- Do not force, strike or adopt any behaviour that could weaken the glass door.
- Do not operate the stove with the glass removed, cracked or broken.

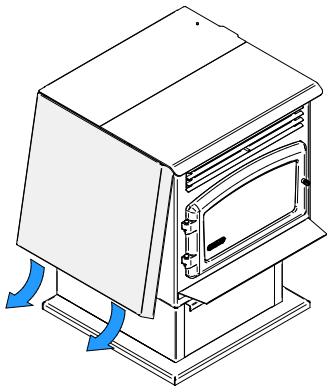
6.5.3 HEAT EXCHANGERS, EXHAUST TUBES

Activate the cleaning rod a few times.

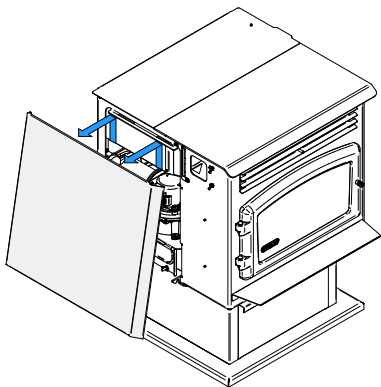


Brush and vacuum inside the heat exchanger channel, when necessary.

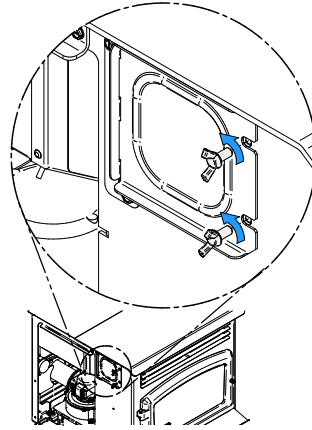
1



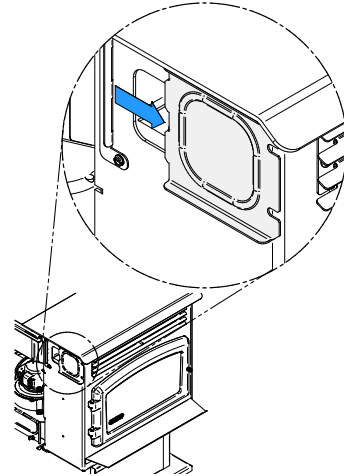
2



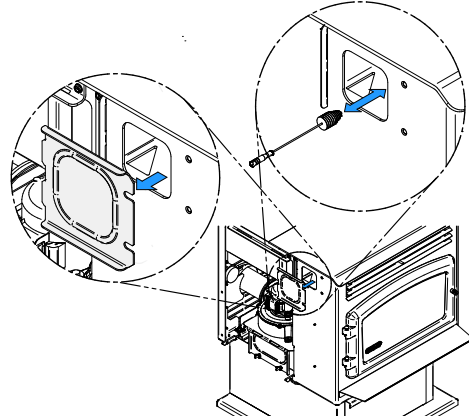
3



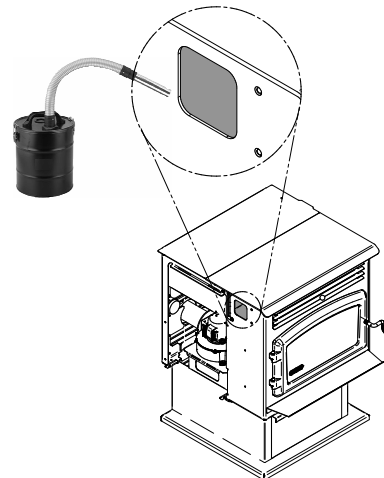
4



5

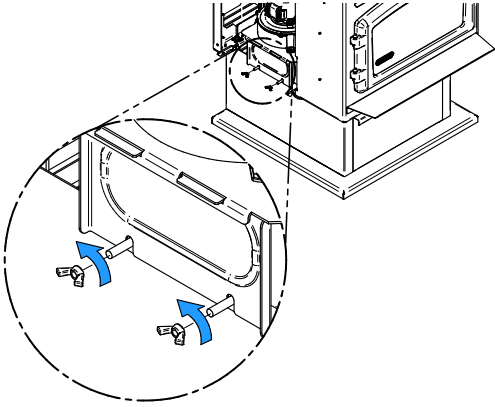


6

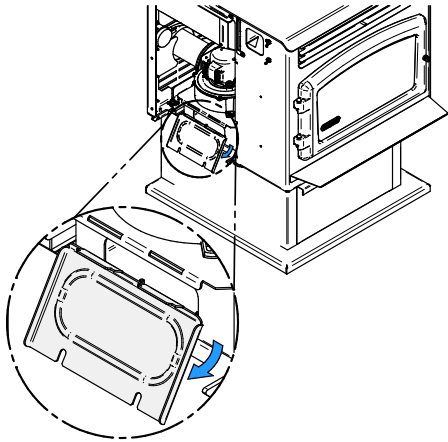


Brush and vacuum inside the exhaust channel, when necessary.

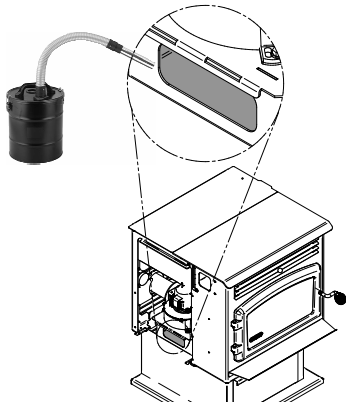
7



8

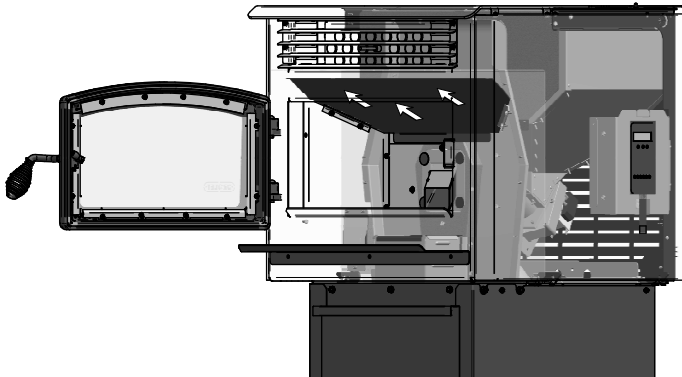


9



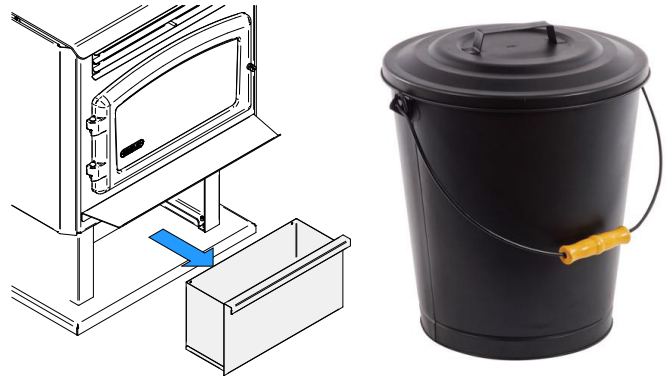
6.5.4 BAFFLE

Remove and brush the baffle. Do not forget to put it back in place.



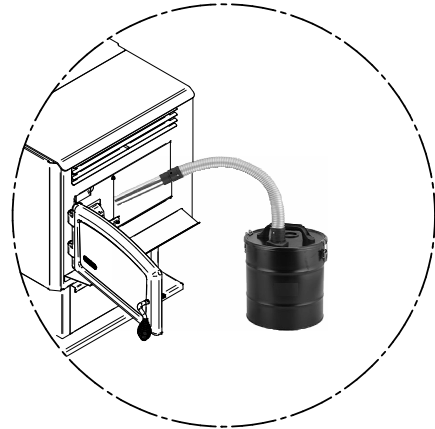
6.5.5 ASH DRAWER

Empty the ash drawer and store the ashes in a metal container with a lid.

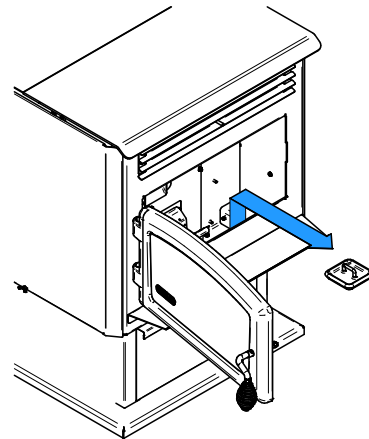


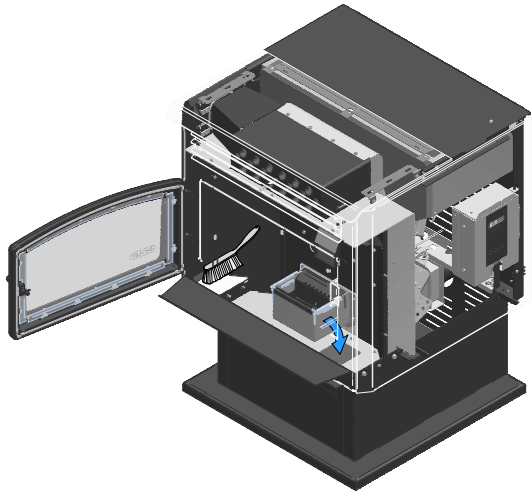
6.5.6 COMBUSTION CHAMBER

Clean the combustion chamber by vacuuming the cooled ashes. When necessary, brush the walls and vacuum the ashes afterwards.



You can also push the ashes into the ash drawer through the opening at the bottom of the firebox. In this case alone, the ashes do not have to be cold.



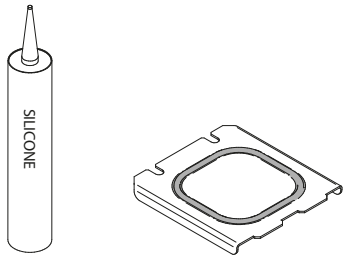


6.5.8 VENTING SYSTEM

See the following section for recommendations on maintaining the venting system.

6.5.9 GASKETS

When maintaining the heat exchanger channel and the exhaust channel, make sure the gaskets on the cleaning panels are in good condition. Replace them if necessary.



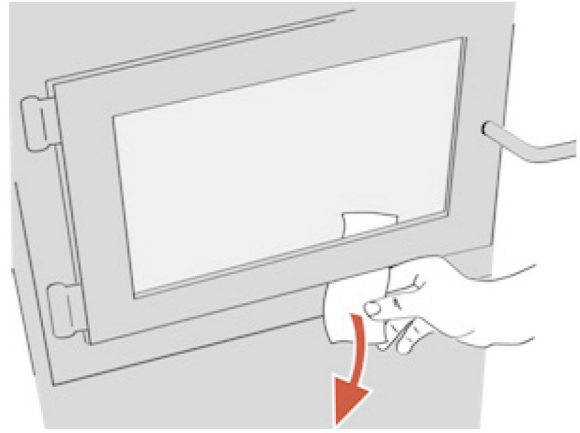
Inspect the door gasket. It is important to maintain the door gasket in good condition. After a while, the gasket will wear and compress.

If the stove door is not properly sealed, it will be difficult to keep the door glass clean and combustion gases may leak into the room.

Adjusting the door may then be required. If the door adjustment is not sufficient, replace the door gasket with a genuine part.

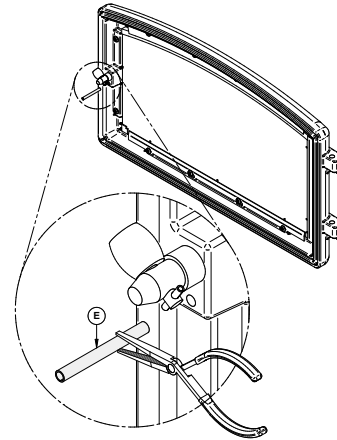
6.5.9 DOOR SEAL VERIFICATION

Check the door seal by closing and locking the door on a piece of paper. Check the entire door. Paper should not slide easily. If the paper slips easily, adjust the door.

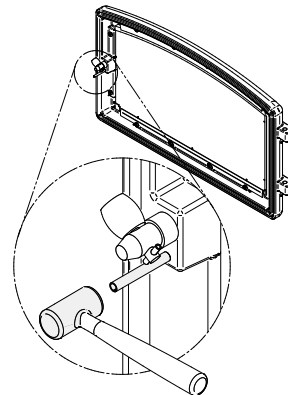


6.5.10 DOOR ADJUSTMENT

Remove the lock pin by pulling and turning with pliers. Turn the handle counter clock wise one turn to increase pressure.



Re-install the lock pin (spring pin) with a small hammer.



7. VENTING SYSTEM MAINTENANCE

CAUTION

REGULARLY EXAMINE THE VENTING SYSTEM, THE JOINTS, AND THE SEALING TRIMS TO ENSURE THAT THE SMOKE AND THE COMBUSTION GASES ARE NOT LEAKING.

Chimney cleaning can be a difficult and dangerous job. If you don't have experience cleaning chimneys, you might want to hire a professional chimney sweep to clean and inspect the system for the first time. After having seen the cleaning process, you can decide if it is a job you would like to take on.

The most effective method of sweeping the vent system is to use a 3" or 4" brush, depending on your installation. Start at the top of the vent system and brush down, so that the ash, soot and creosote residues come off the inner surface and fall into the bottom of the vent system, where they can be removed easily.

The vent system must be kept in good condition and well maintained.

CAUTION

IF A SIGNIFICANT LAYER OF CREOSOTE HAS ACCUMULATED (3 MM / 1/8" OR MORE), IT MUST BE REMOVED IMMEDIATELY TO ELIMINATE THE RISK OF A CHIMNEY FIRE.

FACING A CHIMNEY FIRE

1. Evacuate family members and animals from the building, then call the fire department.
2. Turn off the unit. **Do not unplug it!**
3. If possible, use a chemical fire extinguisher, baking soda or sand to control the fire. Do not use water, as this may cause hazardous vapor explosions.
4. Do not use the stove until the vent system and the stove have been inspected by a qualified chimney sweeper or fire inspector.

7.1 SOOT AND FLY ASHES

The combustion products contain small particles of fly ash. Fly ash can accumulate especially in horizontal sections of exhaust pipe and restrict the flow of combustion gases. Incomplete combustion,

produced when igniting, shut down or misuse of the stove will cause some soot formation which can accumulate in venting system. **The venting system must be inspected at least twice a year to determine if cleaning is necessary.**

8. TROUBLESHOOTING

NOTICE

VISIT OUR WEB SITE TO OBTAIN A DETAILED TROUBLESHOOTING DOCUMENT.

Most common problems are generally caused by the following factors:

1. Wrong operation or lack of maintenance;
2. Bad installation;
3. Poor quality combustible;
4. Component failure;

The stove is equipped with a pc board that allows the stove to diagnose itself. It is thus important not to unplug the stove if there is an issue with it. First, because unplugging the stove will disable all the security features of the stove, and second, because you will not be able to see the error code given by the stove to understand what the problem is.

8.1 PRINCIPAL ERROR CODES

Code	Description
P	Blocked flue. Make sure that the vent system is installed properly. Press the «RESET» button to reset the stove and «MODE» to restart it.
H	The stove is overheating. Service the unit and inspect the venting system. Press the «MODE» and «RESET» button simultaneously for 3 seconds to reset the stove. If more than one H code occurs, refer to section «Signs of overheating».
E	The hopper is empty. When all components are stopped, press the «RESET» button. Fill the hopper and press the «AUGER» button. Press «MODE» to restart the stove.

Code	Description
d	The hopper lid remained open for more than 90 seconds while the unit was running. Close the lid. Press the «RESET» button to reset the stove and «MODE» to restart it.
n	Reverse polarity in the socket. This error does not prevent the stove from operating normally but the polarity should be corrected by a certified electrician.
C	Power Outage occurred. The unit will shut down and restart, resetting the error code by itself.
L	Ignition failed. Make sure the pellets are of good quality and that they are dry. Clean the burn pot. Make sure the igniter is working. Adjust the air intake. Press the «RESET» button to reset the stove and «MODE» to restart it.
FE	The exhaust blower fuse is defective.
FL	The ignitor fuse is defective.
FC	The convection blower fuse is defective.
FV	The auger fuse is defective.
FB	The combustion blower fuse is defective.

For a detailed troubleshooting guide and component replacement data sheets, visit your product web page at www.drolet.ca

DROLET LIMITED LIFETIME WARRANTY

The warranty of the manufacturer extends only to the original retail purchaser and is not transferable. This warranty covers brand new products only, which have not been altered, modified nor repaired since shipment from factory. Proof of purchase (dated bill of sale), model name and serial number must be supplied when making any warranty claim to your DROLET dealer.

This warranty applies to normal residential use only. Damages caused by misuse, abuse, improper installation, lack of maintenance, over firing, negligence or accident during transportation, power failures, downdrafts, venting problems or under-estimated heating area are not covered by this warranty. The recommended heated area for a given appliance is defined by the manufacturer as its capacity to maintain a minimum acceptable temperature considering that the space configuration and the presence of heat distribution systems have a significant impact in making heat circulation optimum.

This warranty does not cover any scratch, corrosion, distortion, or discoloration. Any defect or damage caused by the use of unauthorized or other than original parts voids this warranty. An authorized qualified technician must perform the installation in accordance with the instructions supplied with this product and all local and national building codes. Any service call related to an improper installation is not covered by this warranty.

The manufacturer may require that defective products be returned or that digital pictures be provided to support the claim. Returned products are to be shipped prepaid to the manufacturer for investigation. Transportation fees to ship the product back to the purchaser will be paid by the manufacturer. Repair work covered by the warranty, executed at the purchaser's domicile by an authorized qualified technician requires the prior approval of the manufacturer. All parts and labour costs covered by this warranty are limited according to the table below.

The manufacturer, at its discretion, may decide to repair or replace any part or unit after inspection and investigation of the defect. The manufacturer may, at its discretion, fully discharge all obligations with respect to this warranty by refunding the wholesale price of any warranted but defective parts. The manufacturer shall, in no event, be responsible for any uncommon, indirect, consequential damages of any nature, which are in excess of the original purchase price of the product. A one-time replacement limit applies to all parts benefiting from lifetime coverage. This warranty applies to products purchased after March 1st, 2015.

DESCRIPTION	WARRANTY APPLICATION*	
	PARTS	LABOUR
Combustion chamber (welds only**), heat exchanger (welds only**), and cast iron door frame.	Lifetime	3 years
Surrounds, heat shields, ash drawer, legs, pedestal, trims (aluminum extrusions), and plating (defective manufacture**).	5 years	3 years
Removable stainless steel components, burn pot, deflectors, and supports.	3 years	N/A
Glass retainers, handle assembly, cleaning rod, air control mechanism, and auger.	3 years	1 year
Blowers, auger motor, PC board, igniter, heat sensors, switches, wiring, rheostat, and other controls.	1 year	1 year
Ceramic glass (thermal breakage only**), paint (peeling**), gaskets, insulation, ceramic fibre blankets, ceramic logs, masonry-like panels and other options.	1 year	N/A
All parts replaced under the warranty.	90 days	N/A

***Subject to limitations above. **Picture required.**

Labour cost and repair work to the account of the manufacturer are based on a predetermined rate schedule and must not exceed the wholesale price of the replacement part.

Shall your unit or a components be defective, contact immediately your DROLET dealer. To accelerate processing of your warranty claim, make sure to have on hand the following information when calling:

- Your name, address and telephone number;
- Bill of sale and dealer's name;
- Installation configuration;
- Serial number and model name as indicated on the nameplate fixed to the back of your unit;
- Nature of the defect and any relevant information.

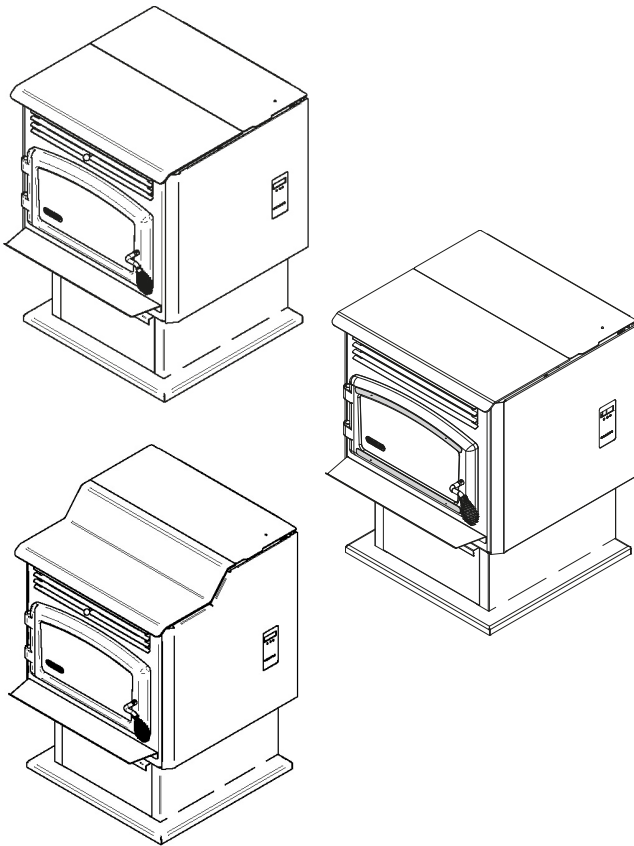
Before shipping your unit or defective component to our plant, you must obtain an Authorization Number from your DROLET dealer. Any merchandise shipped to our plant without authorization will be refused automatically and returned to sender.



MANUEL D'OPÉRATION

ECO-55, ECO-55 CT et ECO-55 ST

(modèles DP00070, DP00072 et DP00071)



Essai de sécurité fait conformément aux normes
ULC S627, UL 1482 et ASTM E1509 par un
laboratoire accrédité



FRANÇAIS

**L'INSTALLATION PAR UN
PROFESSIONNEL EST FORTEMENT
RECOMMANDÉE**

Fabricant de poêles international inc.
250, rue de Copenhague,
St-Augustin-de-Desmaures (Québec) Canada
G3A 2H3

Service aux consommateurs : 418-908-8002
Courriel : tech@sbi-international.com
www.drolet.ca

**CONTACTEZ VOTRE SERVICE MUNICIPAL DU BÂTIMENT OU DES INCENDIES POUR CONNAÎTRE
LES RESTRICTIONS ET LES EXIGENCES D'INSPECTION ET D'INSTALLATION DANS VOTRE RÉGION.**

**LISEZ CE MANUEL AU COMPLET AVANT D'INSTALLER VOTRE NOUVEAU POËLE. IL EST IMPORTANT
DE RESPECTER INTÉGRALEMENT LES DIRECTIVES D'INSTALLATION. SI LE POËLE N'EST PAS
INSTALLÉ CORRECTEMENT, IL PEUT EN RÉSULTER UN INCENDIE, DES BLESSURES CORPORELLES,
OU MÊME LE DÉCÈS.**

LIRE LE PRÉSENT MANUEL ET LE CONSERVER POUR CONSULTATION



Ce manuel peut être téléchargé gratuitement à partir du site web du fabricant. Il s'agit d'un document dont les droits d'auteur sont protégés. La revente de ce manuel est formellement interdite. Le fabricant se réserve le droit de modifier ce manuel de temps à autre et ne peut être tenu responsable de tous problèmes, blessures ou dommages subis suite à l'utilisation d'information contenue dans tout manuel obtenu de sources non autorisées.


1. INFORMATIONS GÉNÉRALES

Fabricant de poêles international inc. est l'un des plus importants et des plus réputés fabricants de poêles à bois, de foyers et de poêles à granules en Amérique du Nord et est fier de la qualité et du rendement de tous ses produits. Nous désirons que vous soyez le plus satisfait possible lors de l'usage de ce produit.

Dans les pages qui suivent, vous trouverez des conseils d'ordre général sur le chauffage aux granules et des indications sur la façon d'obtenir le meilleur rendement de ce poêle.

Nous recommandons fortement que nos produits de chauffage soient installés par des professionnels certifiés aux États-Unis par le NFI (National Fireplace Institute®) ou au Canada par WETT (Wood Energy Technology Transfer) ou au Québec par l'APC (Association des Professionnels du Chauffage).

Il se peut que vous deviez vous procurer un permis pour l'installation du poêle et du système d'évent sur lequel il est branché. Communiquez avec votre service municipal du bâtiment ou des incendies avant l'installation. Nous vous recommandons également de demander à votre compagnie d'assurance habitation si cette installation aura une incidence sur votre police d'assurance.

DANGER	
	<p>CHAUD LORSQU'EN FONCTION. TENIR LES ENFANTS, LES VÊTEMENTS ET LES MEUBLES ÉLOIGNÉS. TOUT CONTACT AVEC LA PEAU PEUT CAUSER DES BRÛLURES.</p>

REMARQUE

Une source de chauffage primaire doit être disponible dans la résidence. Cet appareil de chauffage doit être utilisé comme chauffage d'appoint. Le fabricant ne peut être tenu responsable des coûts du chauffage additionnel pouvant être engendrés par une source de chauffage alternative.

REMARQUE

Il est fortement recommandé d'acheter ce produit chez un détaillant pouvant fournir des conseils sur son installation et son entretien.

REMARQUE

Les informations inscrites sur la plaque d'homologation de l'appareil ont toujours préséance sur les informations contenues dans tout autre média publié (manuels, catalogues, circulaires, revues ou sites web).

REMARQUE

L'utilisation de composants provenant d'autres appareils, ou la modification des composants actuels du poêle sont interdites et annuleront la garantie. Toutes les modifications de l'appareil qui n'ont pas été approuvées par écrit par l'autorité d'homologation ou le fabricant est interdite et viole les normes CSA B365 (Canada) et NFPA 211 (É.- U.).

REMARQUE

SBI - Fabricant de poêles international Inc. n'assume aucune garantie, implicite ou explicite, liée à la mauvaise installation ou au manque d'entretien de l'appareil et n'assume aucune responsabilité pour tout dommage qui en résulterait.



AVERTISSEMENT: Ce produit peut vous exposer à des agents chimiques, y compris du monoxyde de carbone, identifiés par l'État de la Californie comme pouvant causer le cancer ou des malformations congénitales et autres troubles de l'appareil reproducteur. Pour de plus amples informations, prière de consulter le www.P65warnings.ca.gov

ENREGISTREZ VOTRE GARANTIE EN LIGNE

Afin d'obtenir une couverture complète en cas de réclamation sur garantie, vous devrez fournir une preuve de la date d'achat de l'appareil. Conservez votre facture. Nous vous recommandons également d'enregistrer votre garantie en ligne au

<https://www.drolet.ca/fr/garantie/enregistrement-garantie/>

L'enregistrement de votre garantie nous aidera à trouver rapidement les informations requises sur votre appareil.

TABLE DES MATIÈRES

1. INFORMATIONS GÉNÉRALES.....	2
2. INFORMATIONS GÉNÉRALES ET PERFORMANCES DE L'APPAREIL.....	4
3. COMBUSTIBLES.....	4
3.1 GRANULES RECOMMANDÉS.....	4
3.2 ENTREPOSAGE DES SACS DE GRANULES.....	5
4. CONTRÔLES DE L'APPAREIL.....	5
5. OPÉRATION DE L'APPAREIL.....	6
5.1 AVANT DE DÉMARRER L'APPAREIL.....	6
5.2 DÉMARRAGE DE L'APPAREIL.....	6
5.3 REMPLISSAGE DE L'APPAREIL.....	6
5.4 PROCÉDURE D'ARRÊT.....	7
5.5 SIGNES DE SURCHAUFFE.....	7
5.6 MODE THERMOSTAT.....	7
5.7 AJUSTEMENT DE LA VITESSE DE L'AIR DE CONVECTION.....	8
5.8 AJUSTEMENT DE L'ENTRÉE D'AIR.....	8
6. ENTRETIEN DE L'APPAREIL.....	8
6.1 SÉCURITÉ LORS DE L'ENTRETIEN.....	8
6.2 ÉQUIPEMENTS RECOMMANDÉS.....	9
6.3 ENLÈVEMENT DES CENDRES.....	9
6.4 CALENDRIER D'ENTRETIEN.....	10
6.5 TECHNIQUES D'ENTRETIEN.....	10
7. ENTRETIEN DU SYSTÈME D'ÉVENT.....	14
7.1 CENDRES VOLANTES ET SUIE.....	14
8. DÉPANNAGE.....	14
8.1 PRINCIPAUX CODES D'ERREURS.....	14
GARANTIE À VIE LIMITÉE DROLET.....	16

2. INFORMATIONS GÉNÉRALES ET PERFORMANCES DE L'APPAREIL⁽¹⁾

Matériau du coupe-feu	Acier inoxydable
Type de porte	Simple, vitrée, avec cadre en fonte
Type de vitre	Verre céramique
Ventilateur	Inclus (jusqu'à 176 PCM)
Niveau de bruit à 6 pieds	47 dBa (+/- 3 dBa) 60 dBa (+/- 3 dBa)
Combustible	Granules de bois (qualité Premium ou supérieure)**)
Superficie de chauffage recommandée[*]	500 à 2,000 pi ² (46 à 186 m ²)
Capacité de trémie	ECO-55, ECO-55CT = 60 lb (27.3kg); ECO-55 ST = 80lb (36.3kg)
Temps de combustion maximal[*]	ECO-55, ECO-55CT = 51h; ECO-55 ST = 69h
Puissance thermique d'entrée maximale⁽²⁾	39,260 BTU/h (11.5 kW)
Puissance thermique globale (min. à max.)⁽³⁾	6,648 BTU/h à 28,540 BTU/h (1.95 kW à 8.36 kW)
Rendement moyen global⁽³⁾	70.3% (PCS ⁽⁴⁾) 75.8% (PCI ⁽⁵⁾)
Rendement optimal⁽⁶⁾	78.4%
Taux de combustion	1.2 lb/h à 4.7 lb/h (0.54 kg/h à 2.14 kg/h)
Taux moyen d'émission de particules⁽⁷⁾	0.96 g/h (EPA / CSA B415.1-10)
Taux moyen de CO⁽⁸⁾	7.6 g/h
Consommation électrique moyenne⁽⁹⁾	1.3A (51W) min. 2.5A (140W) max. en opération continue

⁽¹⁾ Valeurs telles qu'obtenues en test, à l'exception de la superficie de chauffage recommandée, la capacité de trémie, le temps de combustion maximal et la puissance thermique d'entrée maximale. Les résultats peuvent varier en fonction de la qualité, la densité, la longueur et le diamètre du granule utilisée.

[*] La superficie de chauffage recommandée et le temps de combustion maximal peuvent varier selon la localisation de l'appareil dans l'habitation, la qualité du tirage de la cheminée, le

climat, les facteurs de perte de chaleur, le type de combustible utilisé, le débit d'alimentation, le niveau de granules et d'autres variables. La superficie de chauffage recommandée pour un appareil est définie par le fabricant comme sa capacité à conserver une température minimale acceptable considérant que la configuration de l'espace ou la présence de système de distribution d'air ont un impact important sur la distribution optimale de la chaleur.

(**) Niveau de qualité déterminé par des organismes tels que Pellet Fuels Institute (PFI), ENplus ou CANplus.

⁽²⁾ Basé sur le taux de combustion maximal et un pouvoir calorifique de la granule sèche de 8,600 BTU/lb.

⁽³⁾ Telle que mesurée selon la méthode CSA B415.1-10.

⁽⁴⁾ Pouvoir Calorifique Supérieur du combustible.

⁽⁵⁾ Pouvoir Calorifique Inférieur du combustible.

⁽⁶⁾ Rendement optimal à un taux de combustion donné (PCI).

⁽⁷⁾ Cet appareil est officiellement testé et certifié par un organisme indépendant.

⁽⁸⁾ Monoxyde de carbone.

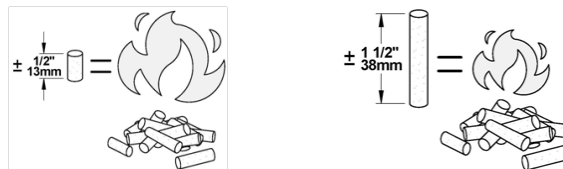
⁽⁹⁾ Sauf indication contraire, les mesures ont été prises à la source d'alimentation de courant principale et incluent toutes les composants électriques de l'appareil.

3. COMBUSTIBLES

3.1 GRANULES RECOMMANDÉS

Type : Granules de bois, qualité premium ou supérieure, certifié par PFI, ENplus ou CANplus.

Dimension : Les granules conventionnels sont ceux de 1/4" ou 5/16" de diamètre, d'une longueur maximale de 1". Des granules plus longs et plus gros peuvent affecter la constance de l'alimentation.



Taux de cendres : Moins de 1%. Plus de 1% de cendres augmentera la fréquence de nettoyage requise, créera des problèmes de combustion et augmentera le taux d'émission de l'appareil.

Taux d'humidité : Des granules humides seront difficiles à allumer et affecteront grandement l'alimentation et les performances du poêle. L'utilisation de granules secs maintiendra les performances de l'appareil.

REMARQUE

L'utilisation d'un combustible autre que celui mentionné ci-dessus n'est pas permise. Ceci constitue une violation des codes du bâtiment pour lequel ce poêle a été approuvé et annulera la garantie.

3.2 ENTREPOSAGE DES SACS DE GRANULES

ATTENTION

NE PAS ENTREPOSER DE COMBUSTIBLES EN DEÇÀ DES DÉGAGEMENTS MINIMUMS DE L'APPAREIL DE CHAUFFAGE.

Il est recommandé de remiser les sacs de granules dans un endroit sec et bien aéré. S'ils doivent être entreposés à l'extérieur, gardez l'emballage de plastique de la palette intact et couvrez celle-ci avec une bâche puisque les sacs de granules ne sont pas étanches.

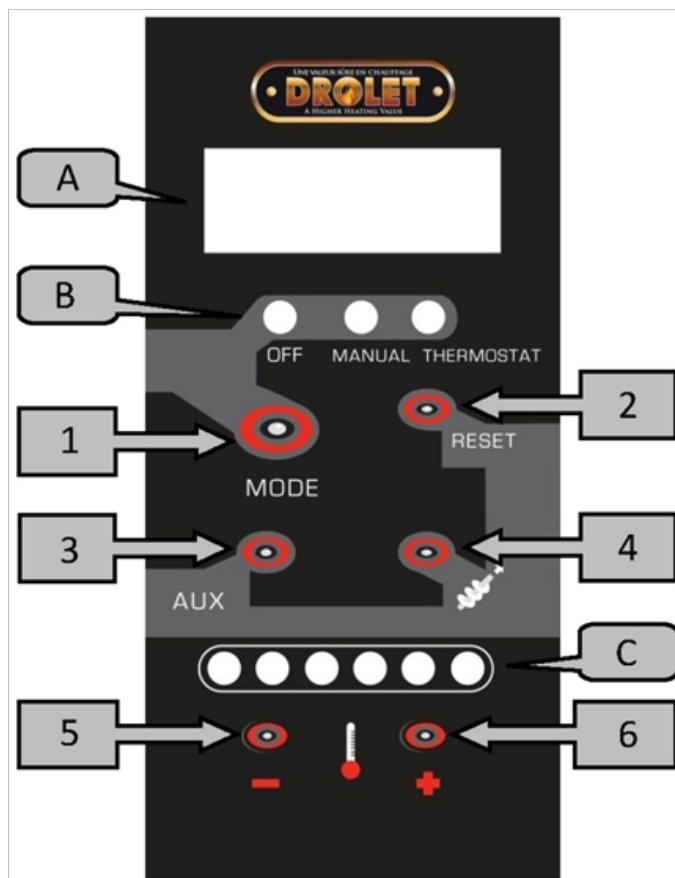
Vous voudrez peut-être entreposer un sac ou deux dans la même pièce que votre poêle pour le ravitaillement. Veillez à respecter les distances minimales des dégagements aux matériaux combustibles ainsi que l'espace requis pour remplir la trémie et l'enlèvement des cendres.

4. CONTRÔLES DE L'APPAREIL

Le système d'alimentation en granules et les ventilateurs sont contrôlés par le panneau de contrôle du poêle, situé sur le côté droit. Les divers boutons et zones de visualisations du panneau de contrôle sont les suivants :

- A. Zone de visualisation des différents messages.
- B. Zone de visualisation de l'état du poêle.
- C. Zone de visualisation de l'intensité du poêle, niveau 1 à 6.
- 1. MODE : Le bouton «MODE» est utilisé pour arrêter le poêle (OFF), le mettre en marche en opération manuelle (MANUAL) ou en mode thermostatique (THERMOSTAT).
- 2. RESET : Le bouton «RESET» est utilisé pour réinitialiser le poêle après l'apparition de la plupart des messages d'erreurs.
- 3. AUX : Le bouton «AUX» est utilisé pour ajuster la vitesse de l'air de convection.
- 4. VIS : Le bouton « vis » est utilisé pour remplir la vis sans fin de granules.
- 5. MOINS : Le bouton « - » est utilisé pour réduire la vitesse de l'alimentation en granules et de ce fait même, baisser le niveau d'intensité du poêle.

- 6. PLUS : Le bouton « + » est utilisé pour augmenter la vitesse de l'alimentation en granules et de ce fait même, augmenter le niveau d'intensité du poêle.

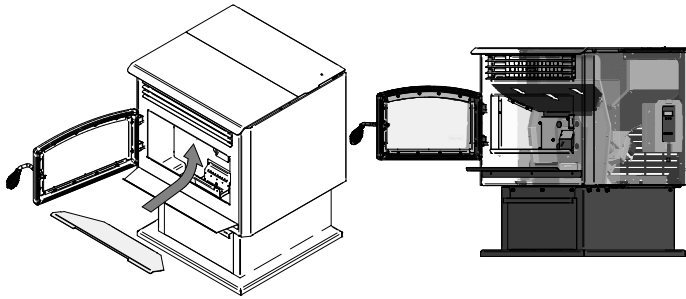


FRANÇAIS

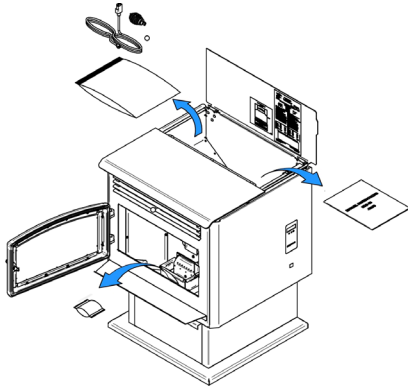
5. OPÉRATION DE L'APPAREIL

5.1 AVANT DE DÉMARRER L'APPAREIL

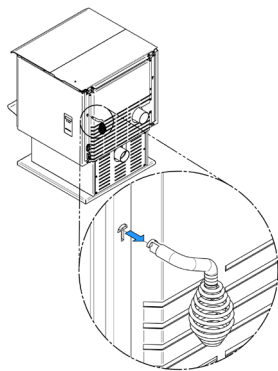
- Assurez-vous que le coupe-feu a bien été installé.



- Assurez-vous que tous les outils et autres accessoires qui ont été logés dans votre appareil pour le transport ont été retirés.



- Assurez-vous que le pot de combustion soit bien en place, qu'il y ait suffisamment de granules dans la trémie et que l'entretien recommandé selon le calendrier a été effectué.
- La poignée de l'appareil est amovible. **Lorsque le poêle est en fonction, elle doit être rangée derrière le poêle,** comme montré sur l'image ci-dessous.



5.2 DÉMARRAGE DE L'APPAREIL

Appuyez sur le bouton «MODE» pour mettre le poêle en marche en opération manuelle (MANUAL) ou thermostatique (THERMOSTAT). Lorsque vous

appuyez sur le bouton « MODE », le poêle s'allume automatiquement. Aucun allume-feu n'est nécessaire pour démarrer l'appareil.

En appuyant sur les boutons «+» ou «-», vous serez en mesure d'augmenter ou de réduire la vitesse de l'alimentation en granules, et par le fait même, le niveau d'intensité du poêle. Chaque changement du niveau d'intensité peut être visualisé grâce à la lumière rouge qui indique le niveau atteint de 1 à 6.

REMARQUE

Durant les premiers feux, votre poêle dégagera une odeur désagréable accompagnée d'une mince fumée. Ceci est lié au processus de durcissement de la peinture. La peinture chauffe, durcit et adhère au métal. Assurez-vous que la pièce soit bien ventilée. **Bien que la fumée et son odeur soient désagréables, elles ne sont pas toxiques.**

Faites deux ou trois feux à faible intensité pour amorcer le processus de durcissement et de conditionnement. Faites ensuite des feux à haute intensité jusqu'à ce que le poêle ne dégage plus d'odeur de peinture.

MISE EN GARDE

NE JAMAIS UTILISER UNE GRILLE OU TOUT AUTRE MOYEN POUR SUPPORTER LE COMBUSTIBLE. UTILISEZ UNIQUEMENT LE POT À COMBUSTION APPROUVÉ POUR CE POÊLE ET NE LE MODIFIEZ PAS.

5.3 REMPLISSAGE DE L'APPAREIL

Lorsque le poêle est en marche, vous avez 90 secondes pour remplir la trémie de granules avant que le poêle s'arrête. Un signal sonore se fera entendre et s'intensifiera chaque 30 secondes. Après 90 secondes, si le couvercle de la trémie est toujours ouvert, le poêle s'arrêtera en affichant le code d'avertissement «d». Pour plus d'informations, voir la section «Dépannage».

Notez que l'ouverture du couvercle de la trémie arrêtera la vis sans fin d'alimenter le poêle en granules.

Lorsque le poêle est à l'arrêt, il n'y a aucune limite de temps pour le remplissage de la trémie.

Ne surchargez pas la trémie.

MISE EN GARDE

GARDEZ LE COUVERCLE DE LA TRÉMIE FERMÉ EN TOUT TEMPS, SAUF LORS DU REMPLISSAGE.

5.4 PROCÉDURE D'ARRÊT

Pour éteindre votre poêle, appuyez sur le bouton «MODE» jusqu'à la position OFF. Le cycle de refroidissement s'échelonne sur quelques minutes. Les ventilateurs continueront de fonctionner pendant que le poêle se refroidit.

REMARQUE

Ne jamais débrancher le cordon d'alimentation pour éteindre le poêle.

5.5 SIGNES DE SURCHAUFFE

Si l'appareil surchauffe, il deviendra très chaud et s'arrêtera en affichant le code d'avertissement «H». Dans cette éventualité, attendez que le poêle refroidisse et faites l'entretien hebdomadaire suggéré dans le calendrier d'entretien. Inspectez minutieusement le système d'évent. Faites-le ramoner, si nécessaire. Appuyez sur le bouton «MODE» et «RESET» simultanément durant 3 secondes pour réinitialiser le poêle.

Après trois répétitions d'un code H, le contrôle de l'appareil sera verrouillé et il vous sera impossible de redémarrer l'appareil. Avant de le déverrouiller, faites l'entretien biennuel suggéré dans le calendrier d'entretien. Inspectez minutieusement le système d'évent. Faites-le ramoner, si nécessaire.

Lorsque l'entretien est complété, pour déverrouiller le contrôle, appuyez sur les boutons suivants, les uns après les autres : «RESET», «MODE», «+», «-» puis, appuyez sur le bouton «VIS» durant 5 secondes.



DANGER



SI VOUS APERCEVEZ DES LUEURS ROUGEÂTRES SUR LES COMPOSANTS EXTERNES DU POÊLE, LE POÊLE SURCHAUFFE. ÉTEIGNEZ-LE. NE LE DÉBRANCHEZ PAS ET N'OUVREZ PAS LA PORTE. DÉBRANCHER LE POÊLE DÉSACTIVERA TOUS LES ÉLÉMENTS DE SÉCURITÉ DU POÊLE.



DANGER



UN APPAREIL QUI SURCHAUFFE PEUT MENER À UN INCENDIE. CHAQUE CODE H DOIT ÊTRE SUIVI PAR UN ENTRETIEN DE L'APPAREIL ET UNE VÉRIFICATION DU SYSTÈME D'ÉVENT.

5.6 MODE THERMOSTAT

Un thermostat vous aidera à conserver une température stable de façon automatique dans la pièce. Un thermostat bas voltage est nécessaire. Une unité murale ou un contrôle à distance peuvent être utilisés.

Afin d'utiliser le mode thermostat, appuyez sur le bouton «MODE» jusqu'à la position «THERMOSTAT». Sélectionnez ensuite le niveau d'intensité en utilisant les boutons «-» ou «+». En mode thermostatique, le poêle fonctionnera au niveau d'intensité sélectionné jusqu'à ce que la température de la pièce ait atteint le niveau programmé sur le thermostat.

5.5.1 SÉLECTION DU MODE PILOT

Par défaut, le mode pilote est en mode AUTO. Pour le changer, appuyez sur le bouton «-» et le bouton «MODE» simultanément, durant 3 secondes. Le mode choisi sera alors affiché dans la zone de visualisation des différents messages.

Pilot AUTO (Niveau d'intensité 1): Lorsque la température est atteinte, le poêle restera automatiquement à son niveau d'intensité le plus faible (#1) jusqu'à ce que le thermostat exige à nouveau de la chaleur. Le poêle s'arrêtera après 15 minutes, si le thermostat ne demande pas de chaleur durant cette période.

Pilot AUTO (Niveaux d'intensité 2 à 6): Lorsque la température est atteinte, le poêle se met automatiquement à son niveau d'intensité le plus faible (#1), jusqu'à ce que le thermostat exige à nouveau de la chaleur. Le poêle s'arrêtera après 45 minutes, si le thermostat ne demande pas de chaleur durant cette période.

Pilot ON: Lorsque la température est atteinte, le poêle se met automatiquement à son niveau d'intensité le plus faible (#1), jusqu'à ce que le thermostat exige à nouveau de la chaleur. Le poêle ne s'arrêtera pas, même si le thermostat ne demande pas de chaleur à nouveau.

REMARQUE

Pour éviter l'usure prématurée des composants de l'appareil, il est recommandé d'utiliser le mode Pilot ON durant les mois les plus froids et le mode Pilot AUTO durant les mois les plus chauds.

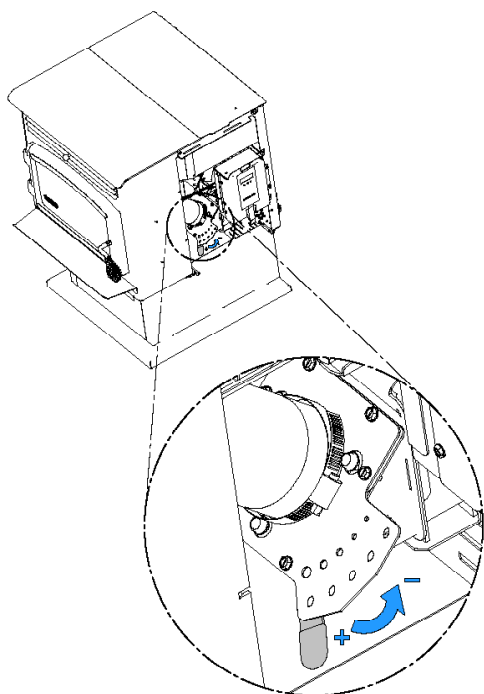
5.7 AJUSTEMENT DE LA VITESSE DE L'AIR DE CONVECTION

Chaque niveau d'intensité de combustion de l'appareil a été programmé avec une vitesse de convection optimale. Toutefois, il est possible d'augmenter la vitesse en appuyant sur le bouton «AUX». Tous les niveaux d'intensité peuvent être augmentés, sauf le niveau d'intensité 6, qui est déjà à sa vitesse maximum.

5.8 AJUSTEMENT DE L'ENTRÉE D'AIR

Il est possible d'ajuster la quantité d'air de combustion qui entre dans le poêle. L'utilisation du poêle au réglage le plus bas réduira les allumages manqués, allumera les granules plus facilement et réduira le noircissement de la vitre lorsque des granules de hautes qualité sont utilisés. Si un sac de granules devait être plus difficile à allumer et à brûler, l'ouverture du contrôle d'air aidera.

Pour ouvrir ou fermer la trappe d'air manuelle, ouvrir le panneau décoratif droit et repérer l'entrée d'air. Presser sur la languette et glisser vers le haut pour diminuer l'arrivée d'air et vers le bas pour augmenter l'arrivée d'air.



6. ENTRETIEN DE L'APPAREIL

REMARQUE

Pour alléger la présente section, seulement le ECO-55 est présenté. Notez que toutes les étapes de nettoyage sont les mêmes pour le ECO-55 ST.

6.1 SÉCURITÉ LORS DE L'ENTRETIEN

ATTENTION



NE JAMAIS FAIRE L'ENTRETIEN DE VOTRE POÊLE LORSQU'IL EST CHAUD.

DANGER



DÉBRANCHER TOUTE SOURCE D'ÉLECTRICITÉ AVANT DE FAIRE L'ENTRETIEN DE L'APPAREIL.

MISE EN GARDE

NÉGLIGER LE NETTOYAGE ET L'ENTRETIEN RECOMMANDÉ DE VOTRE POÊLE POURRAIT ENTRAÎNER DE MAUVAISES PERFORMANCES ET ÊTRE UN DANGER POUR VOTRE SÉCURITÉ.

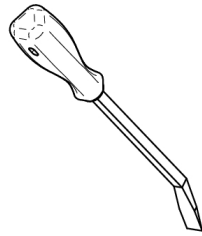
REMARQUE

Le nettoyage du poêle et du système d'évent est important, surtout à la fin de la saison de chauffage afin de minimiser la corrosion durant les mois d'été, provoquée par les cendres accumulées.

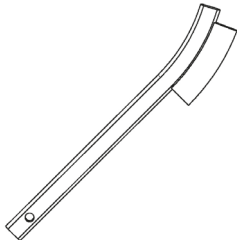
6.2 ÉQUIPEMENTS RECOMMANDÉS



Brosse universelle



Grattoir



Brosse en acier



Brosse ronde + Tige



Nettoyant à vitre



Aspirateur à cendres

6.3 ENLÈVEMENT DES CENDRES

ATTENTION



NE JAMAIS ASPIRER LES CENDRES LORSQU'ELLES SONT CHAUDES. LES CENDRES DOIVENT ÊTRE REFROIDIES AVANT DE FAIRE L'ENTRETIEN.

ATTENTION

LES CENDRES DOIVENT ÊTRE MISES DANS UN CONTENANT MÉTALLIQUE AVEC UN COUVERCLE ÉTANCHE. CE CONTENANT FERMÉ DEVRAIT ÊTRE DÉPOSÉ SUR UNE SURFACE NON COMBUSTIBLE, LOIN DE TOUT MATÉRIAU POUVANT PRENDRE FEU. SI LES CENDRES SONT DESTINÉES À ÊTRE ENTERRÉES OU LOCALEMENT DISPERSÉES, ELLES DEVRAIENT ÊTRE MAINTENUES DANS LE RÉCIPIENT FERMÉ JUSQU'À CE QU'ELLES SOIENT COMPLÈTEMENT REFROIDIES.

MISE EN GARDE

L'UTILISATION D'UN ASPIRATEUR DOMESTIQUE, CENTRAL OU COMMERCIAL POUR EFFECTUER L'ENTRETIEN DE VOTRE POÊLE EST DÉCONSEILLÉE. L'UTILISATION D'UN ASPIRATEUR À CENDRES EST FORTEMENT RECOMMANDÉE.

6.4 CALENDRIER D'ENTRETIEN

REMARQUE

La fréquence de nettoyage peut varier selon le type de combustible utilisé. Un combustible avec une teneur en cendres plus élevée augmentera la fréquence de nettoyage.

La fréquence de nettoyage suggérée dans les sections suivantes s'applique à une utilisation normale de l'appareil. Chacune des étapes de l'entretien est illustrée en détail dans les sections suivantes.

ENTRETIEN QUOTIDIEN

1. Activez la tige de nettoyage à quelques reprises.
2. Videz le pot de combustion.
3. Essuyez la vitre.

ENTRETIEN HEBDOMADAIRE (+/- 10 SACS)

1. Activez la tige de nettoyage à quelques reprises.
2. Videz et brossez le coupe-feu.
3. Videz et grattez le pot de combustion.
4. Aspirez les cendres froides de la chambre à combustion ou poussez-les dans le tiroir à cendres.
5. Videz le tiroir à cendres.
6. Nettoyez la vitre.

ENTRETIEN BI-ANNUEL (+/- 25 SACS)

1. Aspirez les cendres dans la canalisation d'évacuation et dans la canalisation de l'échangeur de chaleur.
2. Brossez et aspirez les cendres froides de la chambre à combustion ou poussez-les dans le tiroir à cendres.
3. Inspectez le système d'évent.
4. Inspectez les joints d'étanchéité.

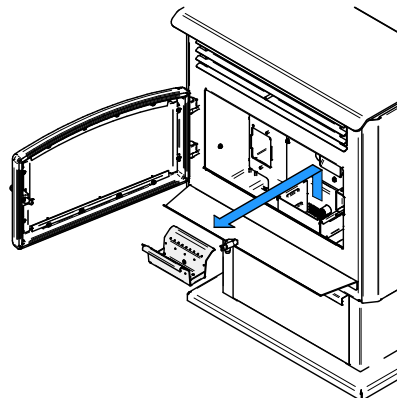
ENTRETIEN ANNUEL (+/- 1 TONNE)

1. Ramenez le système d'évent.
2. Videz et aspirez à l'intérieur de la trémie.

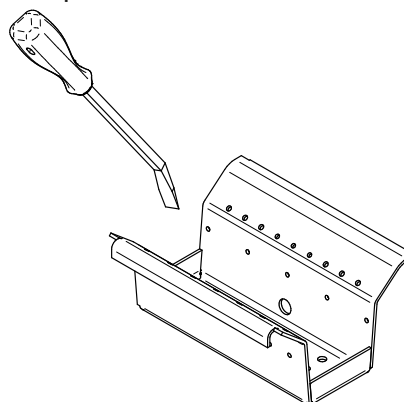
6.5 TECHNIQUES D'ENTRETIEN

6.5.1 POT DE COMBUSTION

Retirez et videz le pot de combustion.



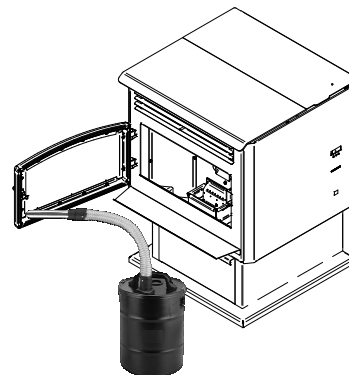
Grattez-le lorsque nécessaire.



6.5.2 VITRE

Aspirez les cendres qui se sont accumulées dans la fente d'entrée d'air du système autonettoyant entre la fixation de la vitre et la vitre. Cela permettra un écoulement d'air optimal le long de la partie intérieure de la vitre et l'empêchera de noircir.

Nettoyez la vitre de la porte au besoin. L'utilisation d'un nettoyant spécialement conçu pour les poêles à combustibles solides est recommandée. Un produit nettoyant pour les fenêtres n'enlèvera pas la suie ou le créosote.

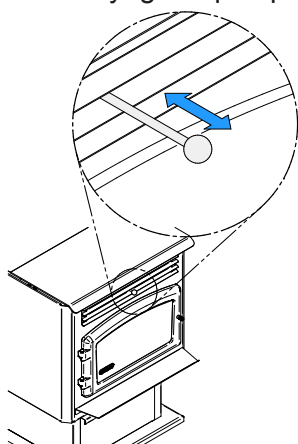


REMARQUE

- Ne jamais utiliser de nettoyeurs abrasifs sur la vitre.
- Ne pas nettoyer la vitre lorsqu'elle est chaude.
- Ne pas forcer, frapper, claquer ou adopter tout autre comportement qui pourrait fragiliser la porte vitrée.
- Ne pas utiliser le poêle si la vitre est manquante, fissurée ou cassée.

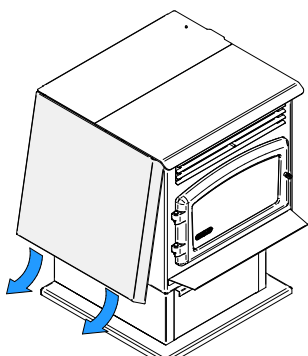
6.5.3 ÉCHANGEUR DE CHALEUR, CANALISATION D'ÉVACUATION

Activez la tige de nettoyage à quelques reprises.

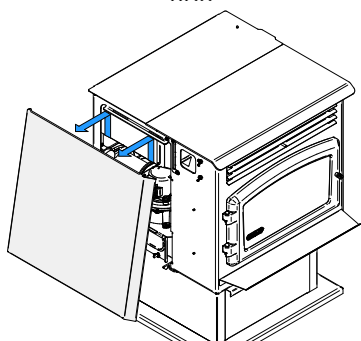


Brossez et aspirez l'intérieur de la canalisation de l'échangeur de chaleur, lorsque nécessaire.

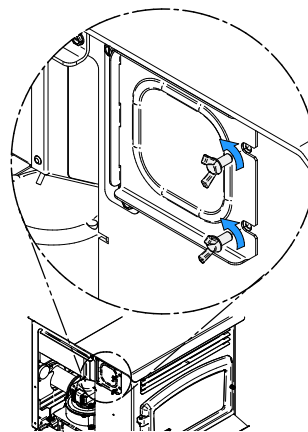
1



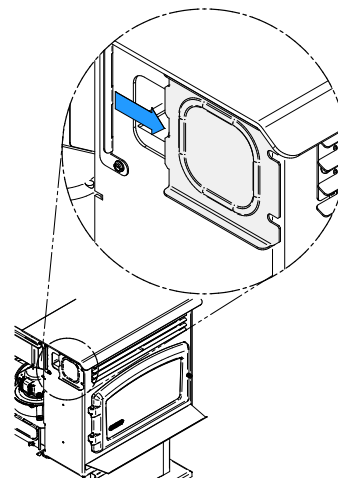
2



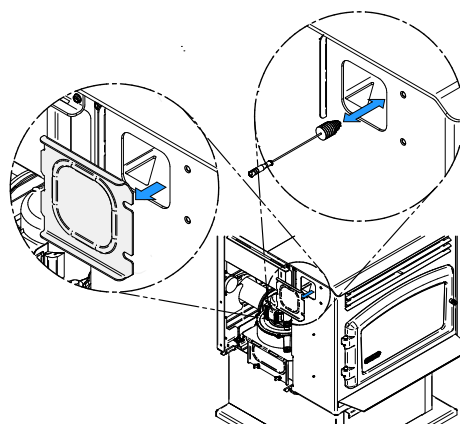
3



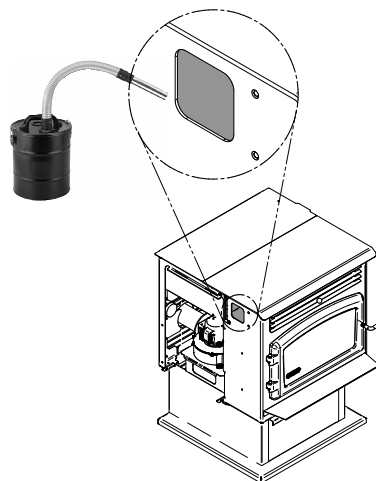
4



5

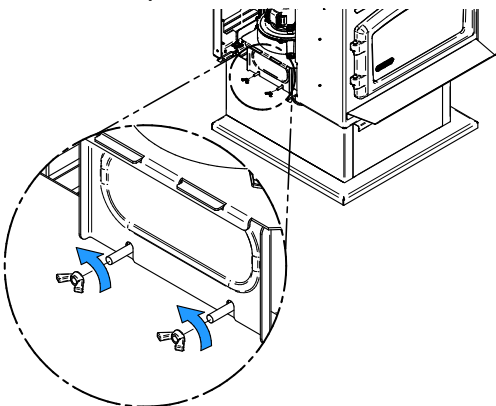


6

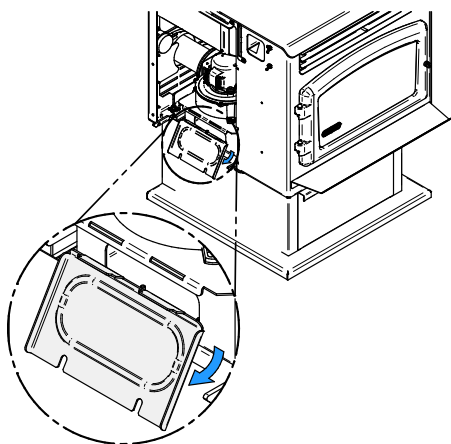


Brossez et aspirez l'intérieur de la canalisation d'évacuation, lorsque nécessaire.

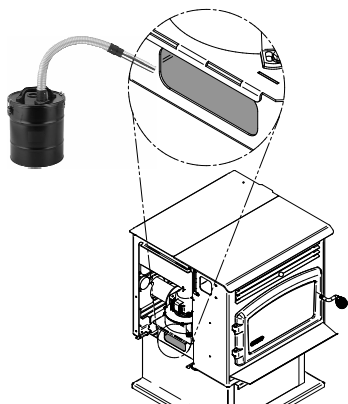
7



8

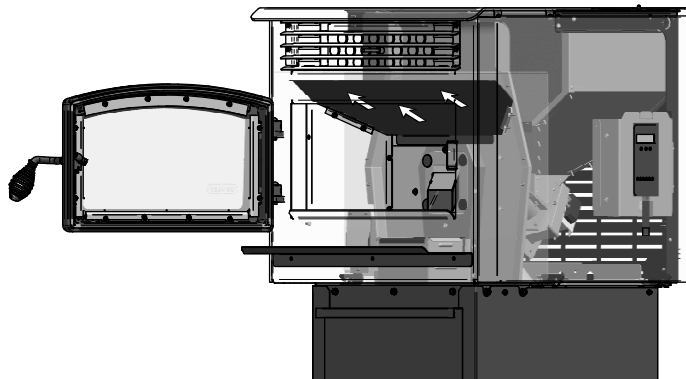


9



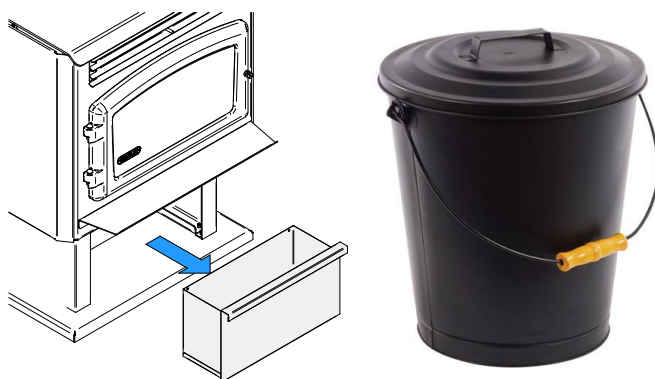
6.5.4 COUPE-FEU

Retirez et brossez le coupe-feu. Ne pas oublier de le remettre en place.



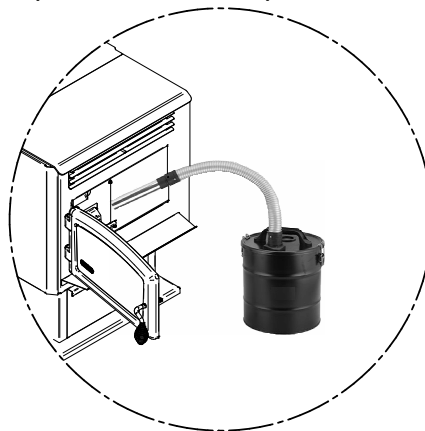
6.5.5 TIROIR À CENDRES

Videz le tiroir à cendres et entreposez les cendres dans un contenant de métal avec un couverct.

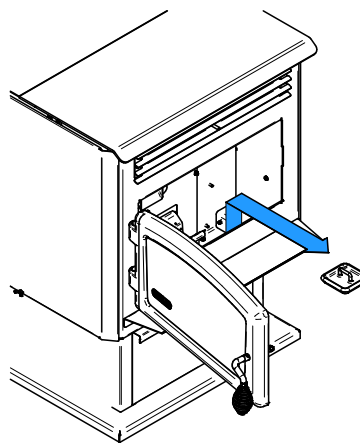


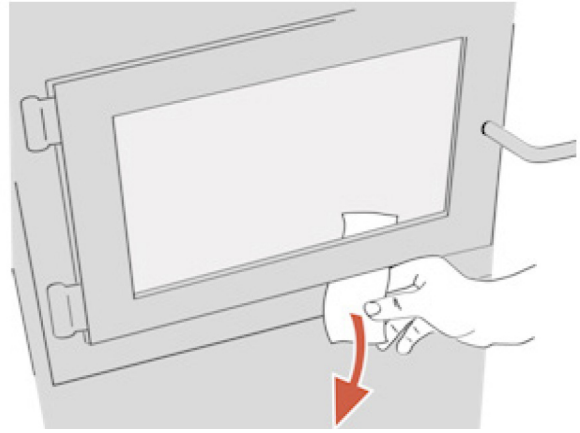
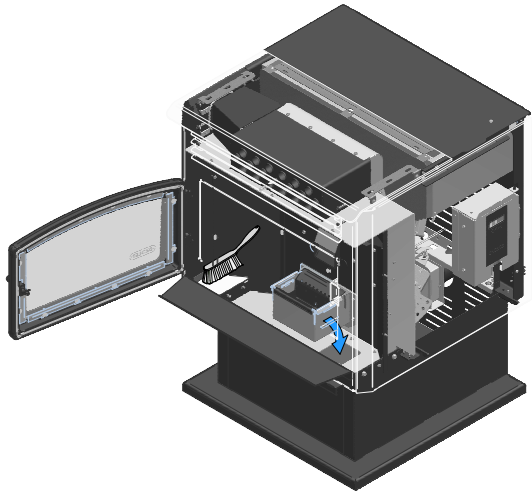
6.5.6 CHAMBRE À COMBUSTION

Nettoyez la chambre à combustion en aspirant les cendres **refroidies**. Lorsque nécessaire, brossez les parois et aspirez les cendres par la suite.



Vous pouvez aussi pousser les cendres dans le tiroir à cendres par l'ouverture au fond de la chambre à combustion. Dans ce cas-ci seulement, les cendres n'ont pas à être froides.



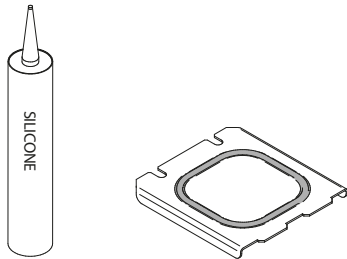


6.5.8 SYSTÈME D'ÉVENT

Voir la section suivante pour les recommandations sur l'entretien du système d'évent.

6.5.9 JOINTS D'ÉTANCHÉITÉ

Lors de l'entretien de l'échangeur de chaleur et de la canalisation d'évacuation, vérifiez que les joints d'étanchéité des panneaux de nettoyage sont en bon état. Remplacez-les au besoin.



Inspectez le joint d'étanchéité autour de la porte. Il est important de garder le cordon de la porte en bon état. Après un certain temps, le cordon s'use et se comprime.

Si la porte du poêle n'est pas scellée correctement, il sera difficile de garder la vitre de la porte propre et les gaz de combustion pourraient fuir dans la pièce.

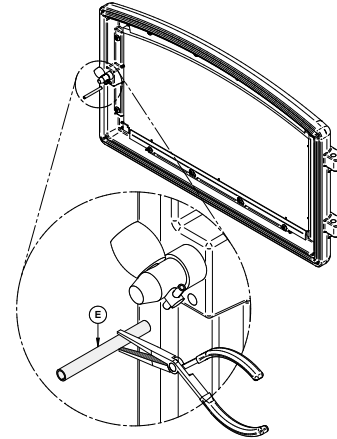
Un ajustement de la porte peut alors être nécessaire. Si l'ajustement de la porte n'est pas suffisant, remplacez le cordon de porte avec une pièce d'origine.

6.5.9 VÉRIFICATION DE L'ÉTANCHÉITÉ DE LA PORTE

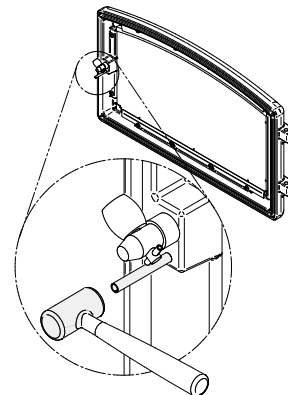
Vérifiez l'étanchéité de la porte en fermant et en verrouillant la porte sur un bout de papier. Vérifiez tout le tour de la porte. Le papier ne devrait pas glisser facilement. Si le papier glisse facilement, ajustez la porte.

6.5.10 AJUSTEMENT DE LA PORTE

Enlevez la goupille de retenue en tirant et tournant à l'aide de pince et tournez la poignée un tour dans le sens contraire des aiguilles d'une montre. Ceci augmentera la pression entre le cadre de la porte et la structure du poêle.



Réinstallez la goupille de retenue en utilisant un marteau.



7. ENTRETIEN DU SYSTÈME D'ÉVENT

MISE EN GARDE

INSPECTEZ RÉGULIÈREMENT LE SYSTÈME D'ÉVENT, LES JOINTS ET AUTRES PIÈCES D'ÉTANCHÉITÉ POUR ÉVITER QUE LA FUMÉE ET LES GAZ DE COMBUSTION NE S'ÉCHAPPENT.

Le ramonage du système d'évent peut être difficile et dangereux. Si vous n'avez pas d'expérience, il serait préférable d'engager un ramoneur professionnel pour inspecter et nettoyer le système pour la première fois. Après avoir vu comment se déroule le ramonage, vous saurez si c'est un travail que vous pouvez faire.

La méthode la plus efficace pour ramoner le système d'évent est d'utiliser une brosse de 3" ou 4", selon votre installation. Commencez dans le haut du système d'évent et brossez vers le bas, de sorte que les résidus de cendres, de suie et de créosote se détachent de la surface intérieure et tombent dans le bas du système d'évent, d'où ils peuvent être enlevés facilement. Le système d'évent doit être maintenu en bon état et bien entretenu.

MISE EN GARDE

SI UNE COUCHE IMPORTANTE DE CRÉOSOTE S'EST ACCUMULÉE (3 MM / 1/8" OU PLUS), ELLE DOIT ÊTRE ENLEVÉE IMMÉDIATEMENT POUR ÉLIMINER LES RISQUES DE FEU DE CHEMINÉE.

FAIRE FACE À UN FEU DE CHEMINÉE

1. Évacuez les membres de la famille et les animaux du bâtiment, puis, téléphonez au service d'incendie.
2. Éteignez l'appareil. **Ne le débranchez pas !**
3. Si possible, utilisez un extincteur chimique, du bicarbonate de soude ou du sable pour maîtriser l'incendie. Ne pas utiliser de l'eau, car cela pourrait provoquer des explosions de vapeur dangereuses.
4. Ne pas utiliser le poêle jusqu'à ce que le système d'évent ainsi que le poêle aient été inspectés par un ramoneur qualifié ou un inspecteur du service d'incendie.

7.1 CENDRES VOLANTES ET SUIE

Les produits de combustion contiennent de petites particules de cendres volantes. Des cendres

volantes peuvent s'accumuler particulièrement dans les sections horizontales des tuyaux d'évacuation et restreindre la circulation des gaz de combustion. La combustion incomplète produite lors du démarrage, de l'arrêt ou la mauvaise utilisation du poêle, entraînera une formation de suie qui peut s'accumuler dans le système d'évacuation. **Le système d'évent doit être inspecté au moins deux fois par an afin de déterminer si le ramonage est nécessaire.**

8. DÉPANNAGE

REMARQUE

VISITEZ NOTRE SITE WEB POUR OBTENIR UN DOCUMENT DÉTAILLÉ SUR LE DÉPANNAGE.

Les problèmes les plus courants sont généralement reliés aux causes suivantes :

1. Mauvaise utilisation ou entretien inadéquat;
2. Mauvaise installation;
3. Combustible humide ou de mauvaise qualité;
4. Composant défectueux;

Le poêle est équipé d'une carte électronique qui lui permet de fournir un diagnostic lorsque survient un problème. Il est donc important de ne pas débrancher le poêle lorsqu'il est en marche. Débrancher le poêle désactive toutes les fonctions de sécurité; vous ne serez donc pas en mesure de voir le code d'erreur nécessaire à la compréhension du problème.

8.1 PRINCIPAUX CODES D'ERREURS

Code	Correspondance
P	Évent bloqué. Assurez-vous que le système d'évent est installé correctement. Appuyez sur le bouton «Reset» pour réinitialiser le poêle et sur «Mode» pour le redémarrer.
H	Surchauffe de l'appareil. Faites l'entretien de l'appareil et inspectez le système d'évent. Appuyez sur le bouton «Mode» et «Reset» simultanément durant 3 secondes pour réinitialiser le poêle. Appuyez sur le bouton «Mode» pour le redémarrer. Si plusieurs codes de surchauffe surviennent, consultez la section «Surchauffe de l'appareil».

Code	Correspondance
E	La trémie est vide. Lorsque tous les composants sont arrêtés, appuyez sur le bouton «Reset». Remplissez la trémie et appuyez sur le bouton «Vis». Appuyez ensuite sur «Mode» pour redémarrer le poêle.
d	Le couvercle de la trémie est resté ouvert pendant plus de 90 secondes lorsque l'appareil était en marche. Fermez le couvercle. Appuyez sur le bouton «Reset» pour réinitialiser le poêle et sur «Mode» pour le redémarrer.
n	Polarité inversée dans la prise de courant. Cet erreur n'empêche pas le poêle de fonctionner normalement mais la polarité devrait être corrigée par un électricien certifié.
C	Manque de courant. L'appareil exécutera une séquence d'arrêt, puis redémarrera par lui-même en effaçant le code C.
L	Allumage raté. Assurez-vous que les granules sont de bonne qualité et qu'ils sont secs. Nettoyez le pot de combustion. Assurez-vous que l'allumeur fonctionne. Ajustez l'entrée d'air de combustion. Appuyez sur le bouton «Reset» pour réinitialiser le poêle et sur «Mode» pour le redémarrer.
FE	Le fusible du moteur d'évacuation est défectueux.
FL	Le fusible de l'allumeur est défectueux.
FC	Le fusible du moteur de convection est défectueux.
FV	Le fusible de la vis sans fin est défectueux.
FB	Le fusible du moteur de combustion est défectueux.

Pour obtenir un guide de dépannage détaillé ainsi que les fiches techniques de remplacement de composants, consultez la page web de votre produit sur notre site internet www.drolet.ca

GARANTIE À VIE LIMITÉE DROLET

La garantie du fabricant ne s'applique qu'à l'acheteur au détail original et n'est pas transférable. La présente garantie ne couvre que les produits neufs qui n'ont pas été modifiés, altérés ou réparés depuis leur expédition de l'usine. Il faut fournir une preuve d'achat (facture datée), le nom du modèle et le numéro de série au détaillant DROLET lors d'une réclamation sous garantie.

La présente garantie ne s'applique que pour un usage résidentiel normal. Les dommages provenant d'une mauvaise utilisation, d'un usage abusif, d'une mauvaise installation, d'un manque d'entretien, d'une surchauffe, d'une négligence, d'un accident pendant le transport, d'une panne de courant, d'un manque de tirage, d'un retour de fumée ou d'une sous-évaluation de la surface de chauffage ne sont pas couverts par la présente garantie. La surface de chauffage recommandée pour un appareil est définie par le manufacturier comme sa capacité à conserver une température minimale acceptable considérant que la configuration de l'espace ou la présence de système de distribution d'air ont un impact important sur la distribution optimale de la chaleur.

La présente garantie ne couvre pas les égratignures, la corrosion, la déformation ou la décoloration. Tout défaut ou dommage provenant de l'utilisation de pièces non autorisées ou autres que des pièces originales, annule la garantie. Un technicien qualifié autorisé doit procéder à l'installation en conformité avec les instructions fournies avec le produit et avec les codes du bâtiment locaux et nationaux. Tout appel de service relié à une mauvaise installation n'est pas couvert par la présente garantie.

Le fabricant peut exiger que les produits défectueux lui soient retournés ou que des photos numériques lui soient fournies pour appuyer la réclamation. Les produits retournés doivent être expédiés port payé au fabricant pour étude. Les frais de transport pour le retour du produit à l'acheteur seront payés par le manufacturier. Tout travail de réparation couvert par la garantie et fait au domicile de l'acheteur par un technicien qualifié autorisé doit d'abord être approuvé par le fabricant. Tous les frais de pièces et main-d'œuvre couverts par la présente garantie sont limités au tableau ci-dessous.

Le fabricant peut, à sa discrétion, décider de réparer ou remplacer toute pièce ou unité après inspection et étude du défaut. Le fabricant peut, à sa discrétion, se décharger de toutes ses obligations en ce qui concerne la présente garantie en remboursant le prix de gros de toute pièce défectueuse garantie. Le fabricant ne peut, en aucun cas, être tenu responsable de tout dommage extraordinaire, indirect ou consécutif, quelle qu'en soit la nature, qui dépasserait le prix d'achat original du produit. Les pièces couvertes par une garantie à vie sont sujettes à une limite d'un seul remplacement sur la durée de vie utile du produit. Cette garantie s'applique aux produits achetés après le 1er mars 2015.

DESCRIPTION	APPLICATION DE LA GARANTIE*	
	PIÈCES	MAIN D'OEUVRE
Chambre à combustion (soudures seulement**), échangeur de chaleur (soudures seulement**) et cadrage de porte en acier coulé (fonte).	À vie	3 ans
Habillage, écran coupe-chaleur, tiroir à cendres, pattes, piédestal, moulures décoratives (extrusions) et placage (défaut de fabrication**).	5 ans	3 ans
Pièces amovibles en acier inoxydable, pot de combustion**, déflecteurs et supports.	3 ans	s.o.
Moulures de vitre, ensemble de poignée, tige de nettoyage, mécanisme de contrôle d'air et vis sans fin.	3 ans	1 an
Ventilateurs, moteur de vis, carte électronique, allumeur, capteurs thermiques, interrupteurs, câblage, rhéostats et autres commandes.	1 an	1 an
Verre céramique (bris thermique seulement**), peinture (écaillage**), joints d'étanchéité, isolants, laines céramiques, bûches décoratives** panneaux d'imitation de maçonnerie** et autres options.	1 an	s.o.
Toutes les pièces remplacées au titre de la garantie.	90 jours	s.o.

***Sous réserve des limitations ci-dessus. **Photos exigées. s.o. : Sans Objet**

Les frais de main-d'œuvre et de réparation portés au compte du fabricant sont basés sur une liste de taux prédéterminés et ne doivent pas dépasser le prix de gros de la pièce de rechange.

Si votre appareil ou une pièce sont défectueux, communiquez immédiatement avec votre détaillant DROLET. Avant d'appeler, ayez en main les renseignements suivants pour le traitement de votre réclamation sous garantie :

- Votre nom, adresse et numéro de téléphone;
- La facture et le nom du détaillant;
- La configuration de l'installation;
- Le numéro de série et le nom du modèle tel qu'indiqué sur la plaque signalétique de l'appareil;
- La nature du défaut et tout renseignement important.

Avant d'expédier votre appareil ou une pièce défectueuse à notre usine, vous devez obtenir un numéro d'autorisation de votre détaillant DROLET. Toute marchandise expédiée à notre usine sans autorisation sera automatiquement refusée et retournée à l'expéditeur.