

Hartland® | K-R5818-4

33" top-mount double-bowl kitchen sink

Features

- 33" (838 mm) minimum base cabinet width
- Double-equal bowls
- 9" (229 mm) depth provides generous workspace
- Rear drain placement increases cabinet storage space underneath sink
- Three faucet holes and one accessory hole to the right



Sustainability



Available Colors/Finishes

Color tiles intended for reference only.

0	White
FF	Sea Salt
96	Biscuit
47	Almond
FD	Cane Sugar
95	Ice Grey
G9	Sandbar
33	Mexican Sand
K4	Cashmere
FT	Basalt
58	Thunder Grey
R1	Roussillon Red
KA	Black 'n Tan
7	Black Black



Codes/Standards

ASME A112.19.1/CSA B45.2

Technical Information

All product dimensions are nominal.

Number of Deck Holes:	4
Faucet Hole(s) Size:	1-3/8" (35 mm)
Center(s):	8" (203 mm)
Drain Hole Diameter:	3-7/8" (98 mm)
Basin Configuration:	Equal Bowls
Left Basin Length:	14-1/8" (359 mm)
Left Basin Width:	16-1/4" (413 mm)
Left Basin Depth:	9" (229 mm)
Right Basin Length:	14-1/8" (359 mm)
Right Basin Width:	18-2/16" (460 mm)
Right Basin Depth:	9" (229 mm)

Material

- KOHLER® enameled cast iron
-

Recommended Products/Accessories

K-23726 Drain treatment

K-23725 Cast iron cleaner

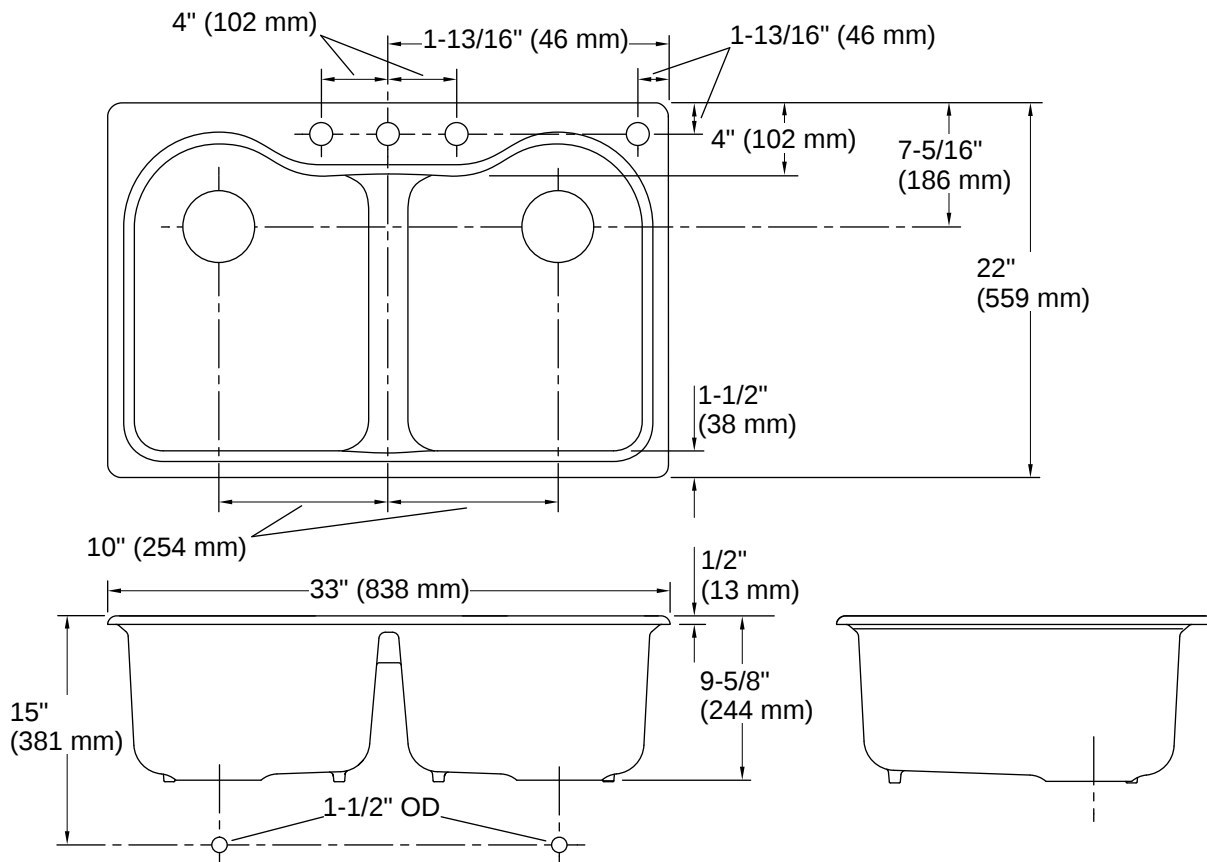
Warranty

See website for detailed warranty information.

KOHLER® Enameled Cast Iron Kitchen and Bathroom Sink Lifetime Limited Warranty



1-800-4KOHLER (1-800-456-4537)
Kohler Co. reserves the right to make revisions without notice to product specifications.
For the most current specification sheet, go to www.kohler.com USA or www.kohler.ca Canada.
3-27-2026 17:13 - US-CA



Installation

- Top-mount

Installation Notes

Install this product according to the installation instructions.

NOTICE: The countertop manufacturer or cutter must use the cut-out template provided with the product, or a current one provided by the Kohler Co. (Call 1-800-4-KOHLER.) Kohler Co. is not responsible for cut-out errors when the incorrect cut-out template is used.

