

Features

- Frameless design highlights showering area.
- Frameless, 1/4" (6 mm) thick Falling Lines tempered glass.
- Continuous guide mechanism for smooth, quiet sliding action and easy cleaning.
- Reversible top track offers multiple aesthetic options.
- Gently curved towel bars complete the look of this door.
- CleanCoat® technology creates a barrier between the water and glass to help keep your shower door looking new.

Material

- Anodized aluminum hardware prevents rusting or corrosion.
- Tempered glass ensures maximum safety and durability.

Installation

- Out-of-plumb adjustability allows for simpler installation.
- Can be installed to open to the left or right.

Components

Additional included component/s: Hardware kit.



Codes/Standards

CPSC 16CFR 1201
ANSI Z97.1 (Tempered Glass)

KOHLER® One-Year Limited Warranty

See website for detailed warranty information.

Available Color/Finishes

Color tiles intended for reference only.

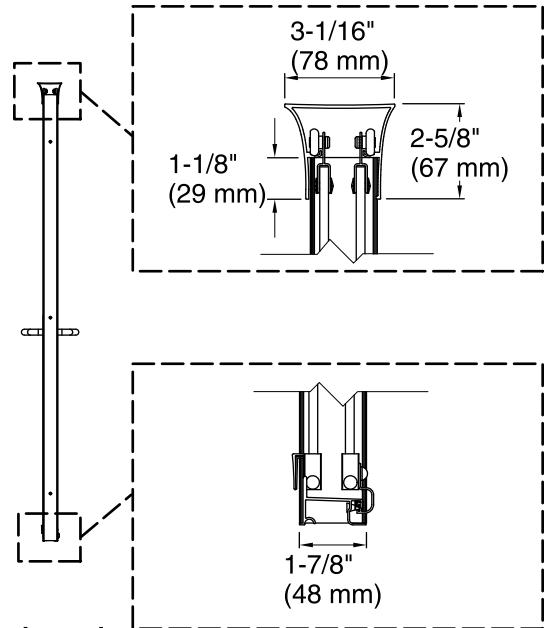
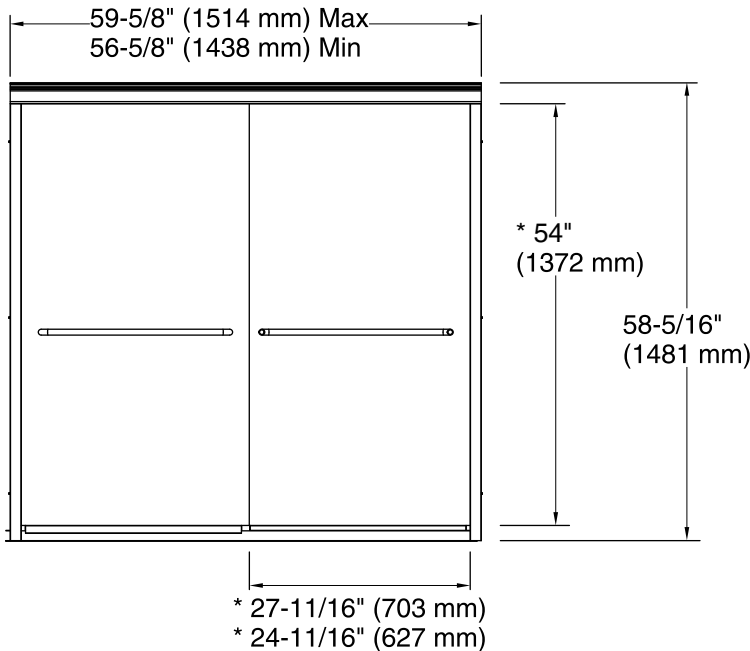
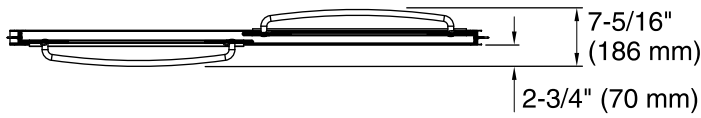
Color	Code	Description
-------	------	-------------

	SHP	Bright Polished Silver
--------------------------------------------------------------------------------------	-----	------------------------

Available Glass Options

Code	Description
------	-------------

G54	Falling Lines
-----	---------------



* Walk-through

Technical Information

All product dimensions are nominal.

Installation type:	For bath installation
Opening style:	Sliding/Bypass
Opening Width - Min:	56-5/8" (1438 mm)
Opening Width - Max:	59-5/8" (1514 mm)
Walk-through - Min:	24-7/8" (632 mm)
Walk-through - Max:	27-11/16" (703 mm)
Glass thickness:	1/4" (6 mm)
Glass coating:	CleanCoat®

Notes

Install this product according to the installation guide.

The vertical opening should be a minimum of 60-1/16" (1526 mm) to allow for installation clearance.