

Features

- Adjustable mounting brackets to fit specific installation requirements
- Elliptical shape makes the bar easier to grip
- Back wall grab bar matches the curve of Accord family products for a clean, stylish design line
- Available in finishes to coordinate with nickel and silver shower door finishes

Material

- Anodized aluminum construction with a durable rustproof and chip-resistant finish

Installation

- Installs from front side of wall

Recommended Products/Accessories

K-23723 Faucet cleaner



Codes/Standards

ASTM F446

STERLING® Grab Bars Ten-Year Limited Warranty

See website for detailed warranty information.

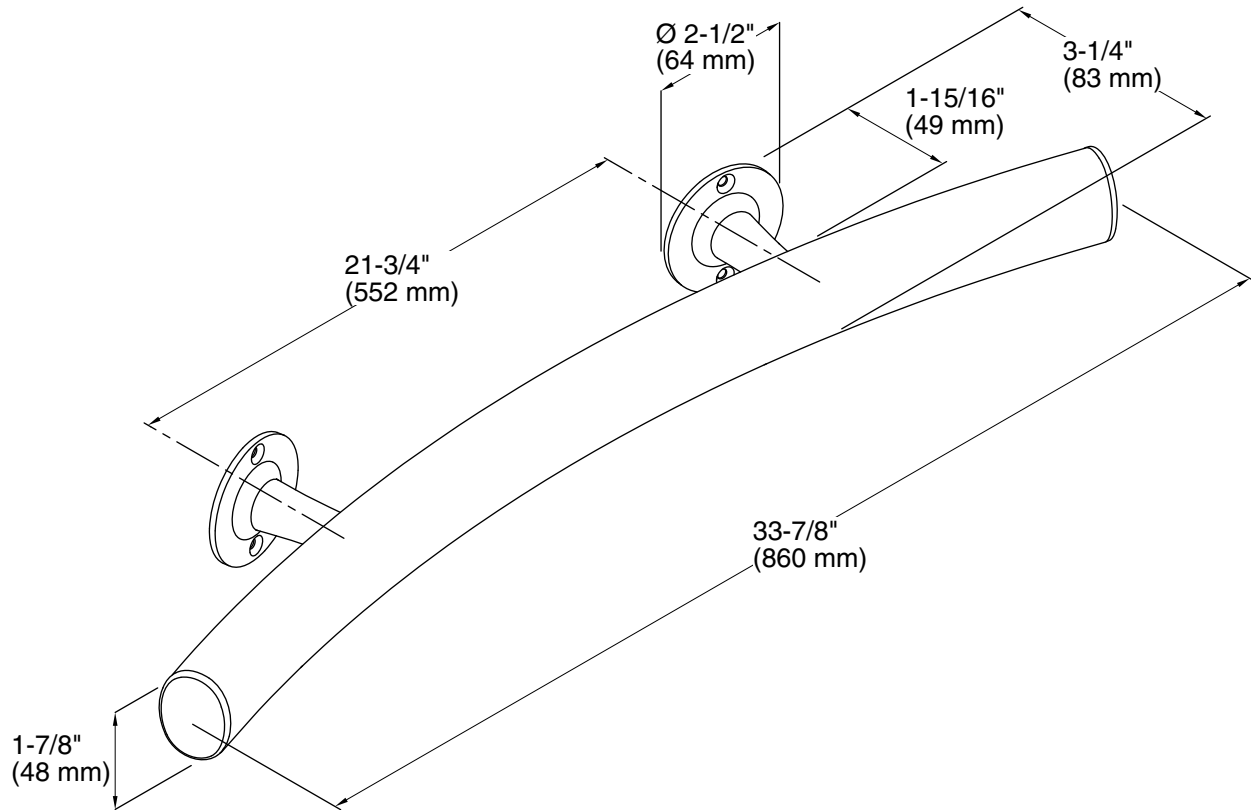
Available Colors/Finishes

Color tiles intended for reference only.

| Color | Code | Description |
|-------|------|-------------|
|-------|------|-------------|

| | | |
|---|--|--------|
| N | | Nickel |
|---|--|--------|

| | | |
|---|--|--------------|
| V | | Matte Silver |
|---|--|--------------|



Technical Information

All product dimensions are nominal.

Material: Anodized Aluminum

Notes

Install this product according to the installation guide.

WARNING: Risk of personal injury. Unless properly installed, the grab bar may not adequately support the weight of the user.

For use on Age-in-Place surrounds only. Obtain backer board locations from the specification sheet for your model.