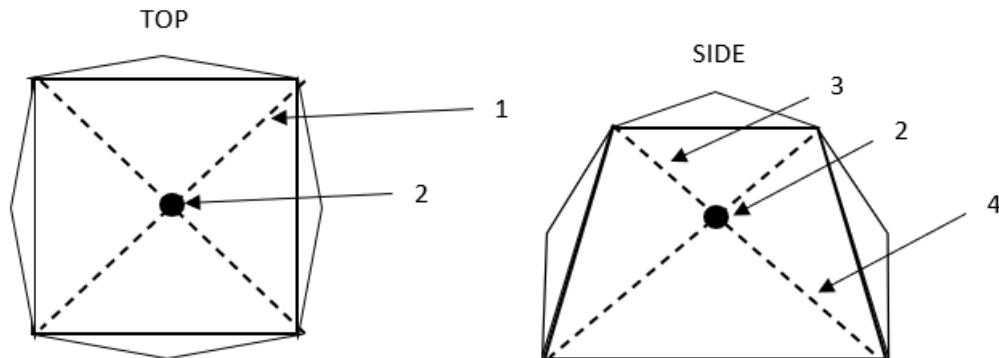




Gazelle
TENTS

ILLUSTRATED PARTS BREAKDOWN

33300 GAZELLE T3 HUB TENT ALPINE GREEN



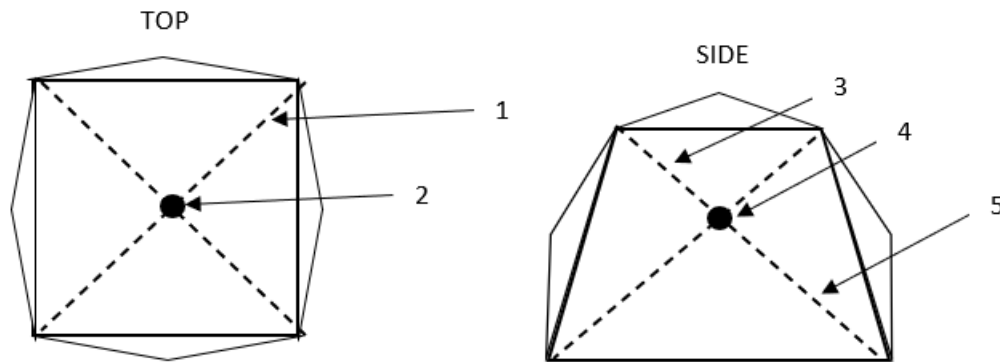
KEY #	PART #	DESCRIPTION	QTY
1	30444	POLE ROOF T3 TENT FEMALE METAL END	4
2	10091	ASSY HUB BALL AND SOCKET TYPE W/RW	5
3	12027	POLE FIBERGLASS 39.39 IN X 10 MM	8
4	12029	POLE FIBERGLASS 50.88 IN X 10 MM	8
*	30436	DUFFEL BAG GREEN 600D 54 IN GAZELLE	1
*	30417	FLOOR SEWN GAZELLE T3	1
*	23912	STAKE CAMPING TENT 2CM STEEL	1
*	30443	POLE RAINFLY CAMPING TENT 13.31 IN X 8.5MM	4
*	30388	GEAR LOFT CAMPING TENT GREEN	1
*	30435	RAINFLY SEWN WITH POLES 33300	1
*	48723	ASSY CINCHING TIE DOWN 60 INCH BLACK	1

* Not shown in diagram

Specifications

CAPACITY: Sleeps 3	HEIGHT: 68"	STAKES: 12
FLOOR SPACE: 40 ft ²	WEIGHT: 27.5 lbs	DOORS: 2
COLLAPSED: 9" x 9" x 55"	SET-UP SIZE: 76" x 76"	WARRANTY: 1-Year Limited

22272 GAZELLE T4 TENT SUNSET ORANGE



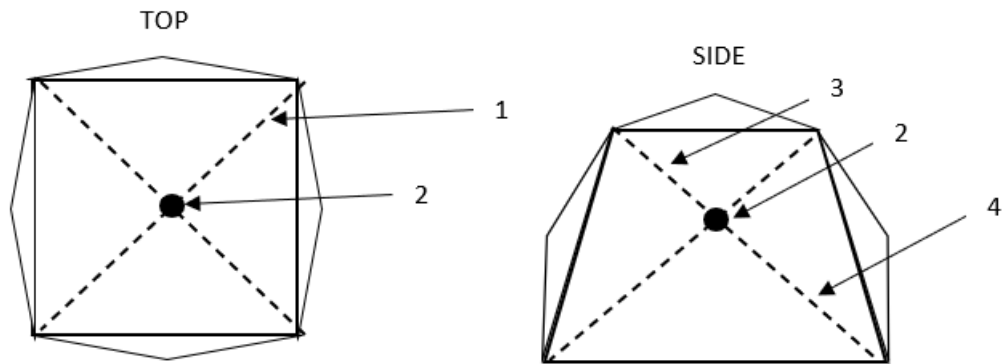
KEY #	PART #	DESCRIPTION	QTY
1	22274	POLE ROOF CAMPING TENT FEMALE METAL	4
2	36874	ASSY HUB BALL AND SOCKET TYPE W/RW	1
3	12145	POLE FIBERGLASS 46.39 IN X 10 MM	8
4	10091	ASSY HUB BALL AND SOCKET TYPE W/RW	4
5	12143	POLE FIBERGLASS 60.78 IN X 10 MM	8
*	30451	DUFFEL BAG ORANGE 600D 65 IN GAZELLE	1
*	22821	BAG GROUND STAKES AND ROPES T4 ORANGE	1
*	26734	GEAR LOFT CAMPING TENT ORANGE	1
*	22282	FLOOR SEWN GAZELLE T4	1

* Not shown in diagram

Specifications

CAPACITY: Sleeps 4	HEIGHT: 78"	STAKES: 12
FLOOR SPACE: 61 ft ²	WEIGHT: 30 lbs.	DOORS: 2
COLLAPSED: 8" x 8" x 67.5"	SET-UP SIZE: 94" x 94"	WARRANTY: 1-Year Limited

30400 GAZELLE T4 HUB TENT GREEN



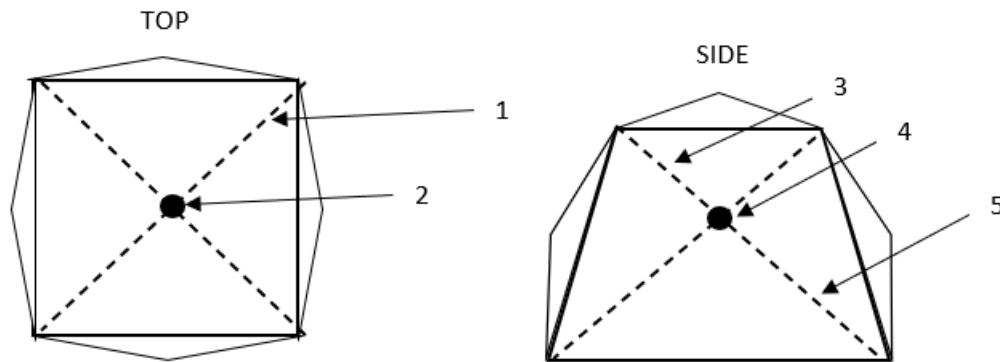
KEY #	PART #	DESCRIPTION	QTY
1	22274	POLE ROOF CAMPING TENT FEMALE METAL	4
2	10091	ASSY HUB BALL AND SOCKET TYPE W/RW	5
3	12145	POLE FIBERGLASS 46.39 IN X 10 MM	8
4	12143	POLE FIBERGLASS 60.78 IN X 10 MM	8
*	30386	DUFFEL BAG GREEN 600D 65 IN GAZELLE	1
*	30388	GEAR LOFT CAMPING TENT GREEN	1
*	22275	POLE RAINFLY CAMPING TENT 17 IN X 8.5MM	1
*	23912	STAKE CAMPING TENT 2CM STEEL	12
*	30387	GROUND STAKES AND ROPES T3 T4 GREEN	1
*	30385	RAINFLY SEWN WITH POLES 30400	1

* Not shown in diagram

Specifications

CAPACITY: Sleeps 4	HEIGHT: 78"	STAKES: 12
FLOOR SPACE: 61 ft ²	WEIGHT: 30 lbs.	DOORS: 2
COLLAPSED: 8" x 8" x 67.5"	SET-UP SIZE: 94" x 94"	WARRANTY: 1-Year Limited

GT400GR GAZELLE T4 TENT ALPINE GREEN



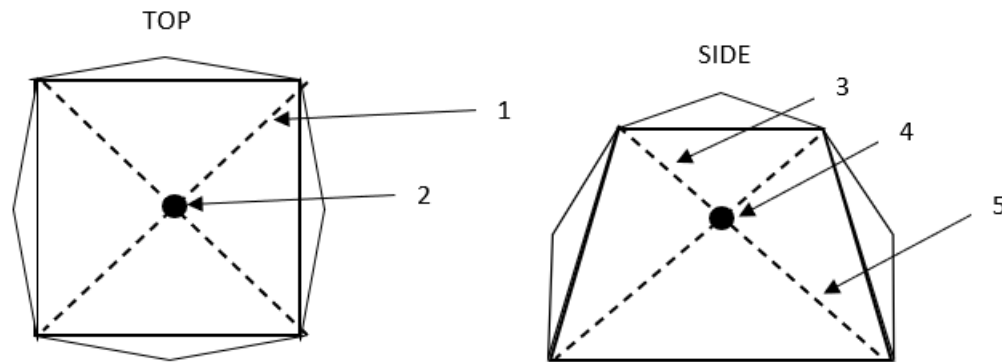
KEY #	PART #	DESCRIPTION	QTY
1	22274	POLE ROOF CAMPING TENT FEMALE METAL	4
2	36874	ASSY HUB BALL AND SOCKET TYPE W/RW	1
3	12145	POLE FIBERGLASS 46.39 IN X 10 MM	8
4	10091	ASSY HUB BALL AND SOCKET TYPE W/RW	4
5	12143	POLE FIBERGLASS 60.78 IN X 10 MM	8
*	36293	DUFFEL BAG RIFLE GREEN 600D 65 IN GAZELLE GT400GR	1
*	36292	GEAR LOFT CAMPING TENT RIFLE GREEN	1
*	36290	BAG GROUND STAKES AND ROPES T4 RIFLE GREEN	1
*	36289	RAINFLY SEWN WITH POLES GT400SS	1
*	23912	STAKE CAMPING TENT 2CM STEEL	12
*	48723	ASSY CINCHING TIE DOWN 60 INCH BLACK	4

* Not shown in diagram

Specifications

CAPACITY: Sleeps 4	HEIGHT: 78"	STAKES: 12
FLOOR SPACE: 110 ft ²	WEIGHT: 47 lbs.	DOORS: 2
COLLAPSED: 11" x 11" x 63"	SET-UP SIZE: 94" x 168"	WARRANTY: 1-Year Limited

GT401SS GAZELLE T4 TENT OVERLAND EDITION SUNSET ORANGE



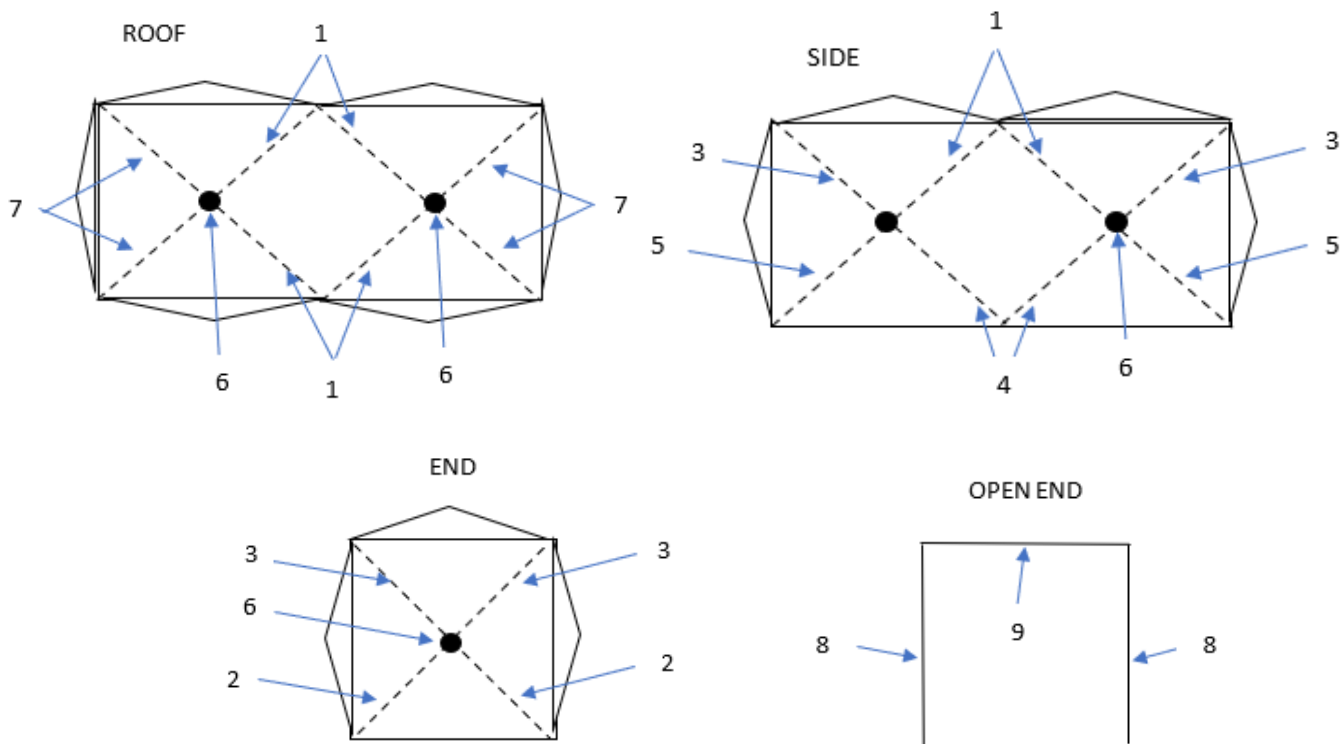
KEY #	PART #	DESCRIPTION	QTY
1	22274	POLE ROOF CAMPING TENT FEMALE METAL	4
2	36874	ASSY HUB BALL AND SOCKET TYPE W/RW	1
3	12145	POLE FIBERGLASS 46.39 IN X 10 MM	8
4	10091	ASSY HUB BALL AND SOCKET TYPE W/RW	4
5	12143	POLE FIBERGLASS 60.78 IN X 10 MM	8
*	35142	BAG DUFFLE 600D GAZELLE T4 OVERLAND EDITION	1
*	36160	RAINFLY SEWN WITH POLES GT401SS	1
*	35110	FOOTPRINT T4 GA101	1
*	26734	GEAR LOFT CAMPING TENT ORANGE	1
*	22282	FLOOR SEWN GAZELLE T4	1
*	22275	POLE RAINFLY CAMPING TENT 17 IN X 8.5MM	4
*	36700	ASSEMBLY ROD STAKES AND STAKE BAG	1

* Not shown in diagram

Specifications

CAPACITY: Sleeps 4	HEIGHT: 78"	STAKES: 12
FLOOR SPACE: 61 ft ²	WEIGHT: 30 lbs.	DOORS: 2
COLLAPSED: 8" x 8" x 67.5"	SET-UP SIZE: 94" x 94"	WARRANTY: 1-Year Limited

26800 GAZELLE T4 PLUS HUB TENT AND SCREEN SUNSET ORANGE



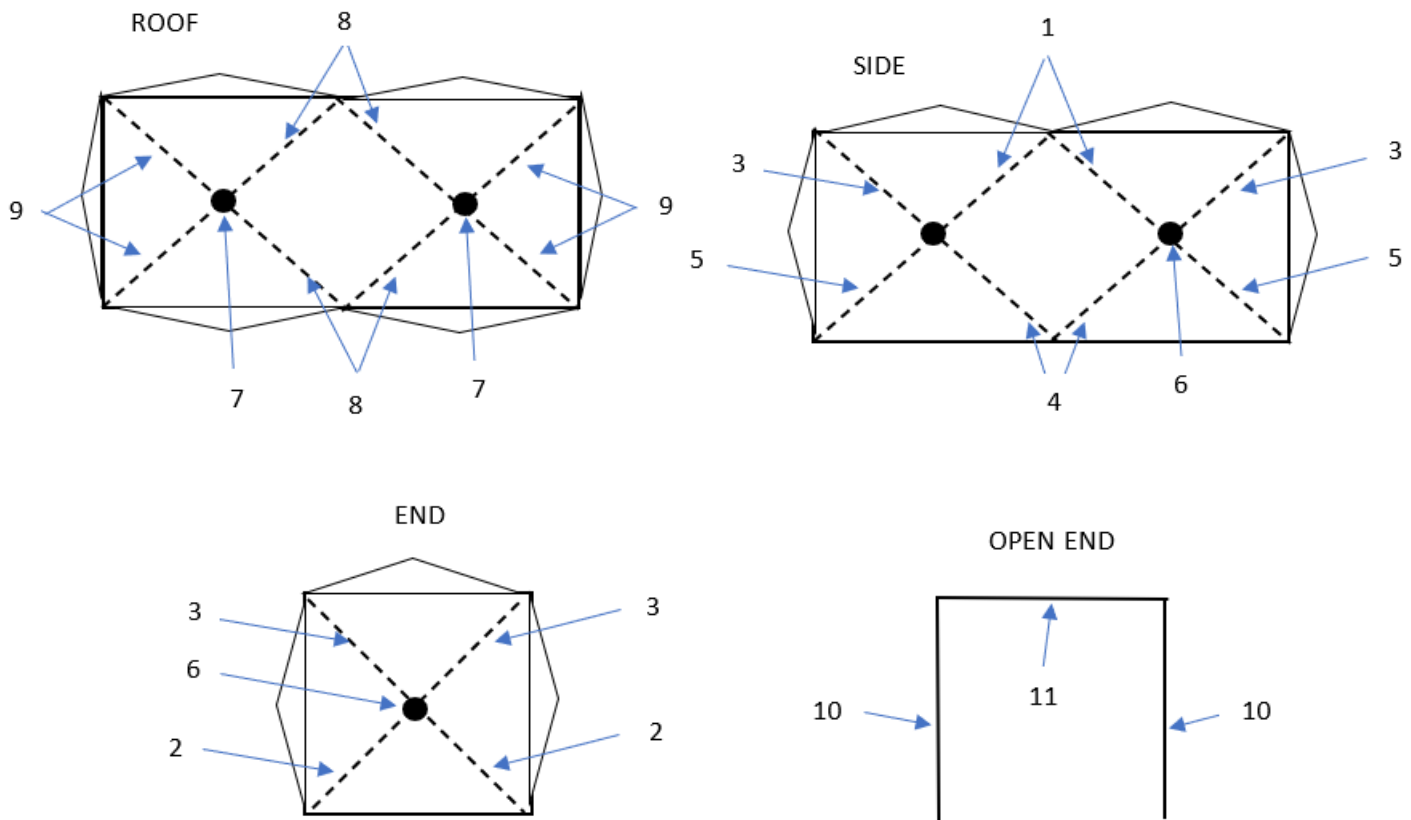
KEY #	PART #	DESCRIPTION	QTY
1	12141	POLE FIBERGLASS 49.90 IN X 10.00 MM	8
2	12143	POLE FIBERGLASS 60.78 IN X 10.00 MM	2
3	12145	POLE FIBERGLASS 46.39 IN X 10.00 MM	6
4	12159	POLE FIBERGLASS 53.13 IN X 10.00 MM	4
5	12161	POLE FIBERGLASS 57.25 IN X 10.00 MM	4
6	10091	ASSY HUB BALL AND SOCKET TYPE W/ RW	7
7	22274	POLE ROOF CAMPING TENT FEMALE METAL END	4
8	18109	ASSEMBLY POLE CORDED 69.70 IN X 11 MM	2
9	28596	POLE CORDED T4 PLUS RAINFLY OVER DOOR	1
*	26705	RAINFLY SEWN WITH POLES 26800	1
*	26706	FLOOR SEWN GAZELLE T4 PLUS AND T8	2
*	26707	DUFFEL BAG ORANGE 600D 64 IN GAZELLE	1
*	22275	POLE RAINFLY CAMPING TENT 17 IN X 8.5MM	4
*	26722	ASSY CINCHING ROPE TIE DOWN ORANGE 26800	5
*	22820	ASSY CINCHING TIE DOWN 60 INCH ORANGE	5
*	23912	STAKE CAMPING TENT 2CM STEEL	18
*	26734	GEAR LOFT CAMPING TENT ORANGE	2

* Not shown in diagram

Specifications

CAPACITY: Sleeps 4 - 8	HEIGHT: 78"	STAKES: 18
FLOOR SPACE: 110 ft ²	WEIGHT: 47 lbs.	DOORS: 2
COLLAPSED: 11" x 11" x 63"	SET-UP SIZE: 94" x 168"	WARRANTY: 1-Year Limited

GT450SS GAZELLE T4 PLUS TENT SUNSET ORANGE



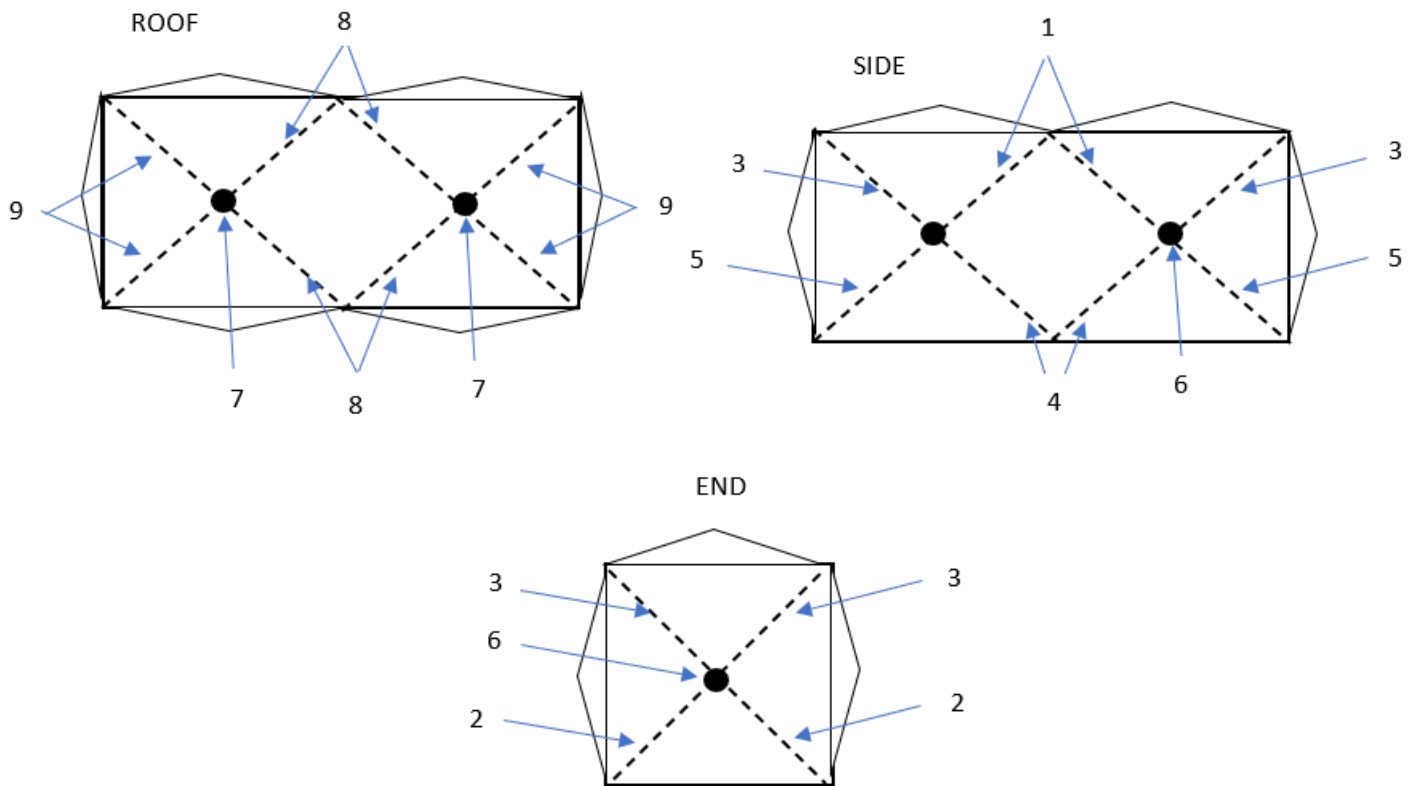
KEY #	PART #	DESCRIPTION	QTY
1	12141	POLE FIBERGLASS 49.90 IN X 10.00 MM	4
2	12143	POLE FIBERGLASS 60.78 IN X 10.00 MM	2
3	12145	POLE FIBERGLASS 46.39 IN X 10.00 MM	6
4	12159	POLE FIBERGLASS 53.13 IN X 10.00 MM	4
5	12161	POLE FIBERGLASS 57.25 IN X 10.00 MM	4
6	10091	ASSY HUB BALL AND SOCKET TYPE W/ RW	5
7	36874	ASSY HUB BALL AND SOCKET TYPE W/RW	2
8	36385	POLE FIBERGLASS 51.25 IN X 10.00 MM	4
9	22274	POLE ROOF CAMPING TENT FEMALE METAL END	4
10	18109	ASSEMBLY POLE CORDED 69.70 IN X 11 MM	2
11	37766	ASSEMBLY POLE CORDED 68.4 IN X 11 MM	1
*	26708	BAG GROUND STAKES AND ROPES T4+ T8	1
*	35326	RAINFLY SEWN WITH POLES GT450SS	1
*	26708	BAG GROUND STAKES AND ROPES T4+ T8	1
*	26734	GEAR LOFT CAMPING TENT ORANGE	2

* Not shown in diagram

Specifications

CAPACITY: Sleeps 8	HEIGHT: 78"	STAKES: 12
FLOOR SPACE: 110 ft ²	WEIGHT: 47 lbs.	DOORS: 2
COLLAPSED: 11" x 11" x 63"	SET-UP SIZE: 94" x 168"	WARRANTY: 1-Year Limited

GT800SS GAZELLE T8 TENT SUNSET ORANGE



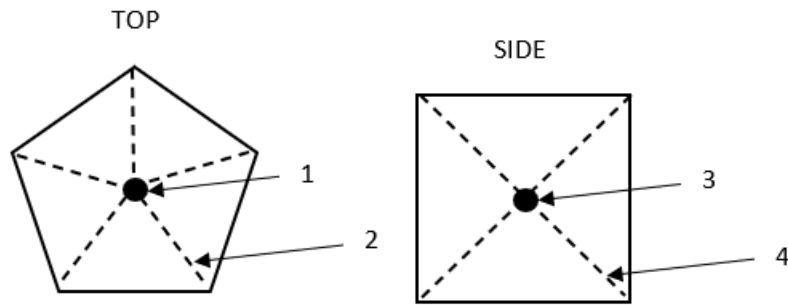
KEY #	PART #	DESCRIPTION	QTY
1	12141	POLE FIBERGLASS 49.90 IN X 10.00 MM	4
2	12143	POLE FIBERGLASS 60.78 IN X 10.00 MM	2
3	12145	POLE FIBERGLASS 46.39 IN X 10.00 MM	6
4	12159	POLE FIBERGLASS 53.13 IN X 10.00 MM	4
5	12161	POLE FIBERGLASS 57.25 IN X 10.00 MM	4
6	10091	ASSY HUB BALL AND SOCKET TYPE W/ RW	5
7	36874	ASSY HUB BALL AND SOCKET TYPE W/RW	2
8	36385	POLE FIBERGLASS 51.25 IN X 10.00 MM	4
9	22274	POLE ROOF CAMPING TENT FEMALE METAL END	4
*	26708	BAG GROUND STAKES AND ROPES T4+ T8	1
*	26734	GEAR LOFT CAMPING TENT ORANGE	2
*	30469	BAG DUFFLE T4 PLUS AND T8 SUNSET ORANGE	1
*	34117	RAINFLY SEWN WITH POLES GT800SS	1

* Not shown in diagram

Specifications

CAPACITY: Sleeps 8	HEIGHT: 78"	STAKES: 12
FLOOR SPACE: 110 ft ²	WEIGHT: 47 lbs.	DOORS: 2
COLLAPSED: 11" x 11" x 63"	SET-UP SIZE: 94" x 168"	WARRANTY: 1-Year Limited

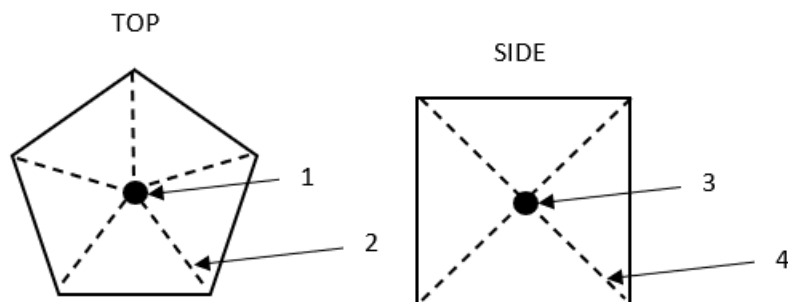
25500 GAZELLE G5 PORTABLE GAZEBO 5-SIDED DESERT SAND



KEY #	PART #	DESCRIPTION	QTY
1	21196	ASSEMBLY BALL AND SOCKET 5 SIDED	1
2	19616	POLE FIBERGLASS 60.78 IN X 11.00 MM	5
3	20377	ASSY HUB BALL AND SOCKET TYPE W/O RW	4
4	18079	POLE FIBERGLASS 50 IN X 11.00 MM	16
*	24663	CARRYING CASE SEWN G5 DESERT SAND	1
*	48722	STAKE GROUND HUB BLIND	12
*	18160	BAG SEWN GROUND STAKES GAZELLE BLACK	1
*	69745	STRAP TIE 31.5 INCH	1
*	18109	ASSEMBLY POLE CORDED 69.70 IN X 11 MM	2

* Not shown in diagram

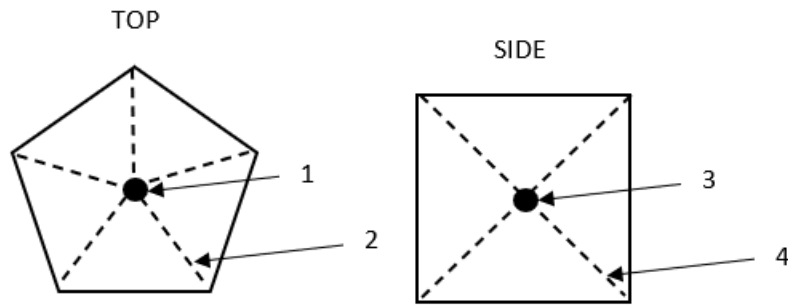
GG500GR GAZELLE G5 GAZEBO ALPINE GREEN



KEY #	PART #	DESCRIPTION	QTY
1	21196	ASSEMBLY BALL AND SOCKET 5 SIDED	1
2	19616	POLE FIBERGLASS 60.78 IN X 11.00 MM	5
3	20377	ASSY HUB BALL AND SOCKET TYPE W/O RW	4
4	18079	POLE FIBERGLASS 50 IN X 11.00 MM	16
*	34219	CARRYING CASE SEWN G5 ALPINE GREEN	1
*	48722	STAKE GROUND HUB BLIND	12
*	48723	ASSY CINCHING TIE DOWN 60 INCH BLACK	5
*	69745	STRAP TIE 31.5 INCH	1

* Not shown in diagram

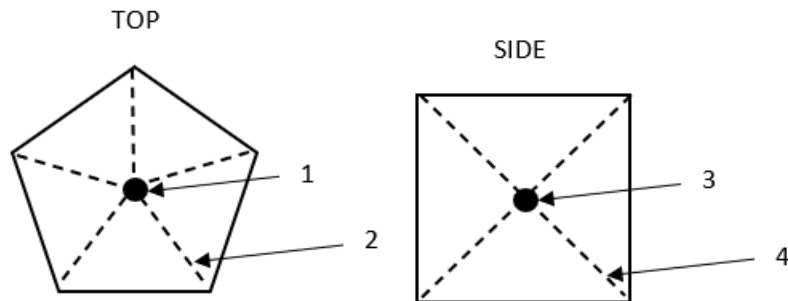
GG501DS GAZEBO GAZELLE G5 DESERT SAND



KEY #	PART #	DESCRIPTION	QTY
1	21196	ASSEMBLY BALL AND SOCKET 5 SIDED	1
2	19616	POLE FIBERGLASS 60.78 IN X 11.00 MM	5
3	20377	ASSY HUB BALL AND SOCKET TYPE W/O RW	4
4	18079	POLE FIBERGLASS 50 IN X 11.00 MM	16
*	24663	CARRYING CASE SEWN G5 DESERT SAND	1
*	37123	ASSEMBLY ROD STAKES AND STAKE BAG 12	1

* Not shown in diagram

GG501GR GAZEBO GAZELLE G5 ALPINE GREEN



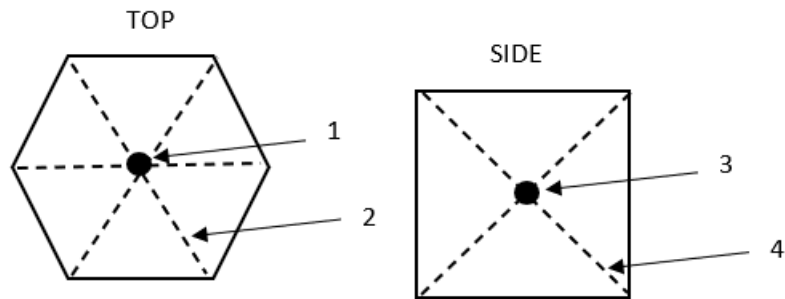
KEY #	PART #	DESCRIPTION	QTY
1	21196	ASSEMBLY BALL AND SOCKET 5 SIDED	1
2	19616	POLE FIBERGLASS 60.78 IN X 11.00 MM	5
3	20377	ASSY HUB BALL AND SOCKET TYPE W/O RW	4
4	18079	POLE FIBERGLASS 50 IN X 11.00 MM	16
*	34219	CARRYING CASE SEWN G5 ALPINE GREEN	1
*	37123	ASSEMBLY ROD STAKES AND STAKE BAG 12	1

* Not shown in diagram

Specifications (5-Sided Gazebos)

CAPACITY: 4 People	HEIGHT: 85"	STAKES: 12
FLOOR SPACE: 60 ft ²	WEIGHT: 47 lbs.	DOORS: 1
COLLAPSED: 7" x 7" x 63"	SET-UP SIZE: 115" x 106"	WARRANTY: 1-Year Limited
SUN PROTECTION: UPF 50+		

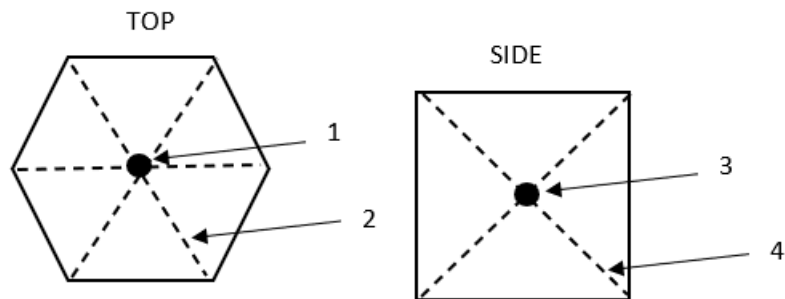
21500 GAZELLE G6 PORTABLE GAZEBO 6-SIDED DESERT SAND



KEY #	PART #	DESCRIPTION	QTY
1	14597	ASSEMBLY HUB BALL AND SOCKET 6 SIDED	1
2	18097	POLE FIBERGLASS 71.63 IN X 11 MM	6
3	10091	ASSY HUB BALL AND SOCKET TYPE W/ RW	5
4	18079	POLE FIBERGLASS 50.00 IN X 11.00 MM	20
*	21279	CARRYING CASE SEWN G6	1
*	69745	STRAP TIE 31.5 INCH	1
*	18108	ASSEMBLY GROUND STAKE BAG	1

* Not shown in diagram

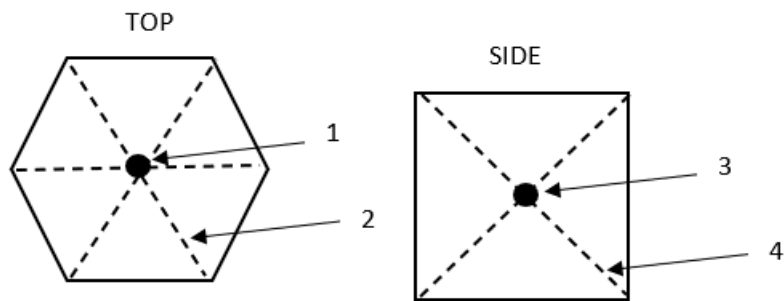
GG600GR GAZELLE G6 GAZEBO ALPINE GREEN



KEY #	PART #	DESCRIPTION	QTY
1	14597	ASSEMBLY HUB BALL AND SOCKET 6 SIDED	1
2	18097	POLE FIBERGLASS 71.63 IN X 11 MM	6
3	10091	ASSY HUB BALL AND SOCKET TYPE W/ RW	5
4	18079	POLE FIBERGLASS 50.00 IN X 11.00 MM	20
*	18109	ASSEMBLY POLE CORDED 69.70 IN X 11 MM	2
*	34220	CARRYING CASE SEWN G6 ALPINE GREEN	1
*	48722	STAKE GROUND HUB BLIND	12
*	48723	ASSY CINCHING TIE DOWN 60 INCH BLACK	6
*	69745	STRAP TIE 31.5 INCH	1

* Not shown in diagram

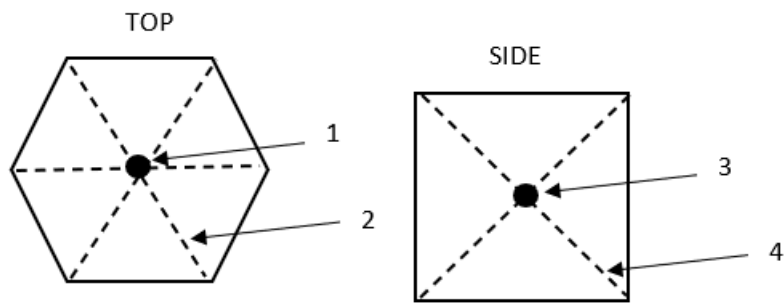
GG601DS GAZEBO GAZELLE G6 DESERT SAND



KEY #	PART #	DESCRIPTION	QTY
1	14597	ASSEMBLY HUB BALL AND SOCKET 6 SIDED	1
2	18097	POLE FIBERGLASS 71.63 IN X 11 MM	6
3	10091	ASSY HUB BALL AND SOCKET TYPE W/ RW	5
4	18079	POLE FIBERGLASS 50.00 IN X 11.00 MM	20
*	18109	ASSEMBLY POLE CORDED 69.70 IN X 11 MM	2
*	21279	CARRYING CASE SEWN G6	1
*	37123	ASSEMBLY ROD STAKES AND STAKE BAG 12	1

* Not shown in diagram

GG601GR GAZEBO GAZELLE G6 ALPINE GREEN



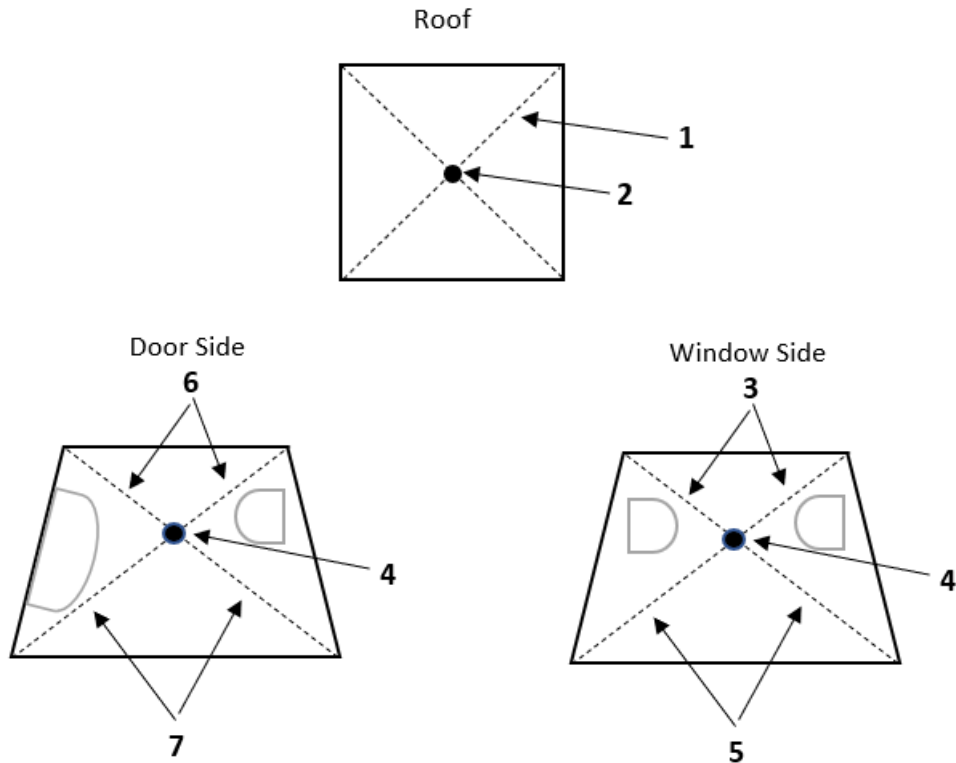
KEY #	PART #	DESCRIPTION	QTY
1	14597	ASSEMBLY HUB BALL AND SOCKET 6 SIDED	1
2	18097	POLE FIBERGLASS 71.63 IN X 11 MM	6
3	10091	ASSY HUB BALL AND SOCKET TYPE W/ RW	5
4	18079	POLE FIBERGLASS 50.00 IN X 11.00 MM	20
*	18109	ASSEMBLY POLE CORDED 69.70 IN X 11 MM	2
*	34220	CARRYING CASE SEWN G6 ALPINE GREEN	1
*	38092	ASSEMBLY ROD STAKES AND STAKE BAG 12	1

* Not shown in diagram

Specifications (6-Sided Gazebos)

CAPACITY: 8 People	HEIGHT: 86"	STAKES: 12
FLOOR SPACE: 92 ft ²	WEIGHT: 34 lbs.	DOORS: 1
COLLAPSED: 8" x 8" x 73"	SET-UP SIZE: 124" x 124"	WARRANTY: 1-Year Limited
SUN PROTECTION: UPF 50+		

GT301GR TENT GAZELLE T3X ALPINE GREEN



KEY #	PART #	DESCRIPTION	QTY
1	37466	POLE ROOF GT301 TENT FEMALE METAL END	4
2	36874	ASSY HUB BALL AND SOCKET TYPE W/RW	1
3	12027	POLE FIBERGLASS 39.39 IN X 10.00 MM	4
4	10091	ASSY HUB BALL AND SOCKET TYPE W/ RW	4
5	22970	POLE FIBERGLASS 50.56 IN X 10.00 MM	4
6	23459	POLE FIBERGLASS 41.73 IN X 10.00 MM	4
7	12159	POLE FIBERGLASS 53.13 IN X 10.00 MM	4
*	37378	DUFFEL BAG RIFLE GREEN 600D57 IN GAZELLE GT301GR	1
*	36290	BAG GROUND STAKES AND ROPES T4 RIFLE GREEN	1

* Not shown in diagram

Specifications

CAPACITY: 3 People	HEIGHT: 68"	STAKES: 12
FLOOR SPACE: 43 ft ²	WEIGHT: 28 lbs.	DOORS: 2
COLLAPSED: 10" x 10" x 57"	SET-UP SIZE: 76" x 82"	WARRANTY: 1-Year Limited