



Outdoor Cabinetry  
*Semi-Custom*

11 Colors - 4 Door Styles



Ships in 7-10 Days  
Factory Built to Order

# SPECIFICATION GUIDE

# TABLE OF CONTENTS

The WeatherStrong Difference.....	2-3
Door Styles .....	4-5
Finishes & Hardware .....	6
Construction Options .....	7
Cabinet Dimensions .....	8
Wall Cabinets .....	9-13
Base Cabinets.....	14-22
Side Burner Cabinets.....	23
Grill Cabinets.....	24
Utility Cabinets .....	26-27
Matching End Panels and Replacement Grill Drawer Fronts.....	28
Accessories.....	29-30
Ensembles .....	31-34
Decorative Hardware.....	35
Warranty .....	36

**Factory Built:** Weatherstrong outdoor cabinets are built to order and arrive ready to be installed. The cabinet boxes are constructed from a waterproof ¾" All-Weatherboard® composite material, using precision dowels and a solvent-free adhesive that provides excellent bond strength.

**Limitations:** All Designer Solid and Designer Woodgrain finishes are recommended for indoor wet or dry areas such as laundry rooms and garages or for any outdoor space where surface temperatures do not exceed 220° F.

**Salt Water Environments:** Oceanfront environments with salt air and sea spray will require regular maintenance and cleaning to prevent rust from forming on the handles, hinges and drawer runners. Clean stainless steel surfaces several times a month to keep the chemical reaction from the salt from gaining a foothold on the hardware. With regular cleaning, your cabinets will look like new for many years. To achieve maximum corrosion and stain resistance, the surface of the stainless steel must be kept clean.

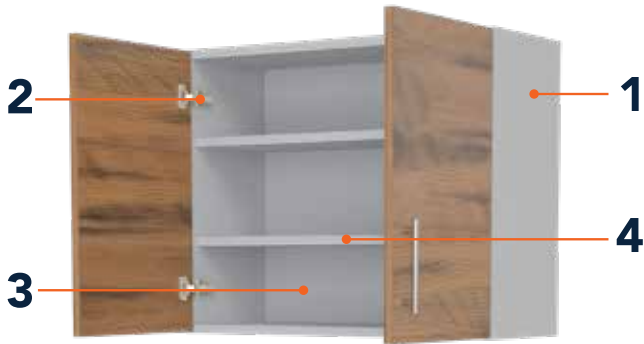
**Installation to Exterior Walls:** WeatherStrong can be installed indoors or out. To fasten cabinets to stucco, brick, or concrete block walls, stainless steel Tapcon® fasteners are recommended (3/16" x 2¾"), sold separately. For base cabinets two fasteners are recommended, and four are recommended for wall cabinet installations.

**Countertops:** Granite and other natural stone materials are ideal with WeatherStrong Cabinets. Be sure to consult the supplier's recommended maintenance practices to keep your countertop looking its best.

# THE WEATHERSTRONG DIFFERENCE

Weatherstrong Outdoor Cabinetry boxes are manufactured in the U.S.A. using a waterproof ¾" thick All-Weatherboard® composite material. Cabinet doors and drawer fronts are made from High Density Polyethylene (HDPE) in a selection

of styles and finishes. Cabinets are factory built to order in a wide variety of sizes and configurations, making Weatherstrong cabinets ideal for outdoor kitchens, wet rooms and garage applications.



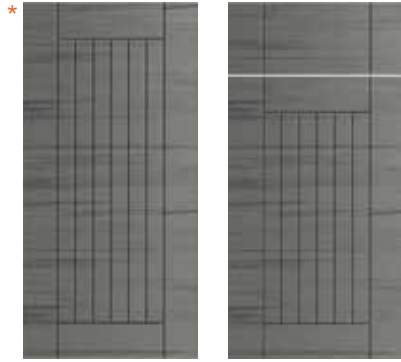
<b>1</b>	<b>Cabinets</b>	Cabinet boxes are constructed from ¾" thick All-Weatherboard® composite material. Exposed sides and island backs require matching cover panels.
<b>2</b>	<b>Hinges</b>	Soft close 6-way adjustable stainless steel hinges
<b>3</b>	<b>Back Wall Panels</b>	Wall cabinets are available with a ¾" thick Full Height Back
<b>4</b>	<b>Adjustable Shelves</b>	¾" thick All-Weatherboard® composite material. Full depth adjustable shelves in Wall & Base cabinets
<b>5</b>	<b>Back Base Panels</b>	Base cabinets are available with a ¾" thick Full/Island Back
<b>6</b>	<b>Drawer Glides</b>	Soft close, side mounted, ball bearing stainless steel drawer runners
<b>7</b>	<b>Adjustable Legs</b>	Base cabinets are shipped fully assembled, ready to be installed on 'Sure Level' adjustable polymer legs (included). Each leg rated for 330lb static load. Snap on matching toe kick is optional for on-site modification and installation. Decorative stainless steel legs also available as an accessory.
<b>8</b>	<b>Drawer Box</b>	¾" thick All-Weatherboard® composite material construction: four sides and bottom panel. 6" high top drawer front with 3" high drawer box. 11-¾" high Deep Drawer front with 7" high drawer box.

**What is All-Weatherboard® composite material?** All-Weatherboard® composite material is a strong moisture, rot and termite resistant composite material, designed for outdoor applications. Phenolic resins, zinc borate and wax are combined with wood fibers in a patented manufacturing process. The surface of All-Weatherboard® composite material is finished with a durable decorative laminate and all exposed cabinet edges are sealed with a waterproof PVC edging.

**Exposed Sides & Backs:** Cabinet sides and backs that will be exposed to direct sunlight and other weather elements MUST be covered by a matching end panel in coordinating High Density Polyethylene (HDPE). Failure to install these protective panels will void the cabinet warranty.

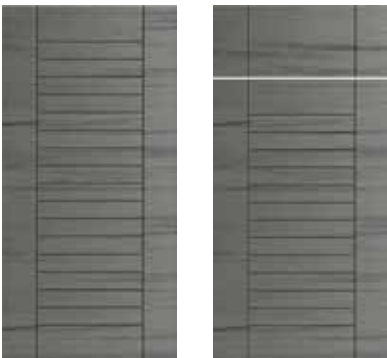
**Clean Up:** Wash WeatherStrong with water and a soft cloth or sponge. A mild dishwashing liquid can be used if needed. A soft bristle brush may be used if needed.

# DOOR STYLES



## DAYTONA\*

- 5/8" thick flat panel door with a with an extended stile cottage-inspired routed center panel design in a durable & color through High Density Polyethylene finish
- Fully concealed stainless steel hinges
- Side mounted, ball bearing stainless steel drawer runners
- Decorative hardware required and sold separately. See page 35 for details.
- Lifetime Limited Warranty



## TAMPA\*

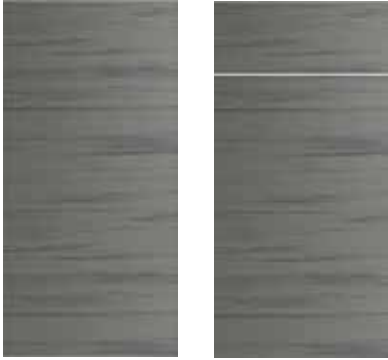
- 5/8" thick flat panel door with a with an extended stile louver-inspired routed center panel design in a durable & color through High Density Polyethylene finish
- Fully concealed stainless steel hinges
- Side mounted, ball bearing stainless steel drawer runners
- Decorative hardware required and sold separately. See page 35 for details.
- Lifetime Limited Warranty



\*Images are computer generated and should not be used for true color representation or color matching. Please order a sample to view the actual color of the door in your space and light.

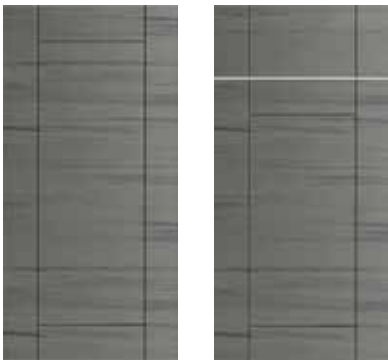


# DOOR STYLES



## MIAMI\*

- Designer Solid and Designer Woodgrain finishes have a 5/8" thick flat panel door in a durable & color through High Density Polyethylene finish
- Fully concealed stainless steel hinges
- Side mounted, ball bearing stainless steel drawer runners
- Decorative hardware required and sold separately. See page 35 for details.
- Lifetime Limited Warranty



## SANIBEL\*

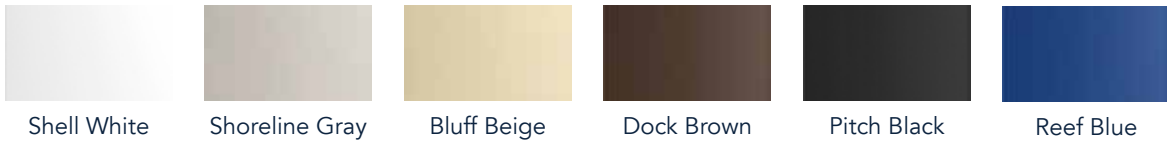
- 5/8" thick flat panel door with a with an extended stile shaker-inspired routed center panel design in a durable & color through High Density Polyethylene finish
- Fully concealed stainless steel hinges
- Side mounted, ball bearing stainless steel drawer runners
- Decorative hardware required and sold separately. See page 35 for details.
- Lifetime Limited Warranty



\*Images are computer generated and should not be used for true color representation or color matching. Please order a sample to view the actual color of the door in your space and light.

# FINISHES & HARDWARE

## DESIGNER SOLID DOOR FINISHES\* - Lifetime Limited Warranty



## DESIGNER WOODGRAIN DOOR FINISHES\* - Lifetime Limited Warranty



All Designer Solid and Designer Woodgrain finishes are recommended for indoor wet or dry areas such as laundry rooms and garages or for any outdoor space where surface temperatures do not exceed 220° F.

\*Images are computer generated and should not be used for true color representation or color matching. Please order a sample to view the actual color of the door in your space and light.

## CABINET BOXES AND DOOR FINISHES

All styles and finishes feature a gray All-Weatherboard® composite material cabinet box. Matching End Panels and Island Panels MUST be applied to any cabinet sides and backs that will be exposed to the elements and these will match the door finish.



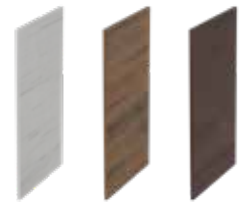
Whitewash Cabinet  
Gray All-Weatherboard®  
composite material  
Cabinet Box



Teak Cabinet  
Gray All-Weatherboard®  
composite material  
Cabinet Box



Mahogany Cabinet  
Gray All-Weatherboard®  
composite material  
Cabinet Box



Matching End Panels  
See pg 28 for available panels

## HARDWARE



Soft Close, 6-way  
adjustable Stainless  
Steel Hinges



Soft Close, Side Mount  
Ball Bearing Stainless  
Steel Runners



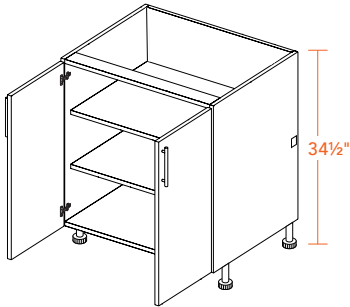
Sure Level Adjustable  
Polymer Legs



Optional Stainless Steel  
Adjustable Legs

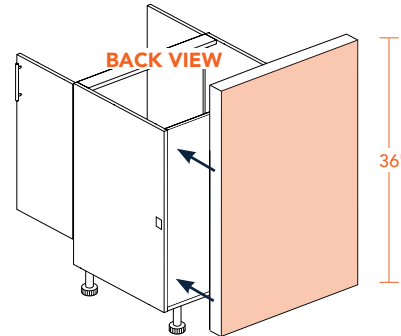
# CONSTRUCTION OPTIONS

## BASE CABINETS



Base cabinet construction features a 30" high cabinet box which must be mounted on-site on 4 1/2" high 'Sure Level' adjustable polymer legs. Legs are adjustable from 4" to 5 1/2" high. Optional stainless steel adjustable legs are available as an accessory. Optional snap on matching toe kick panels are available 6" high x 96" long, for site modification and installation.

## BAR RISER KIT



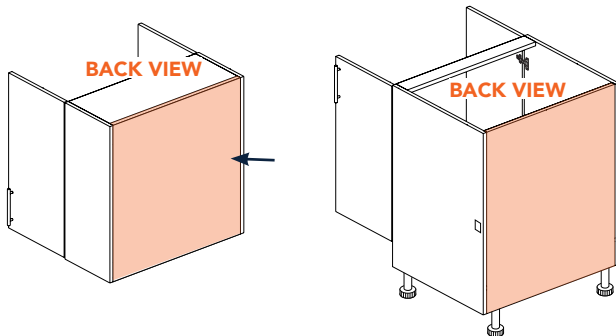
Bar Risers are 4" deep by 36" high and are available in 3" width increments from 12" to 49". When securely attached to the back of a 34 1/2" high base cabinet, the top of the riser will be approximately 40 1/2" from the floor. These field installed kits feature a full-height 3/4" thick enclosed All-Weatherboard® composite material back panel. These kits will turn almost any base cabinet into a two-level bar.

**PLEASE NOTE: Exposed cabinet sides and backs MUST be covered by a matching end/island panel**

## FULL BACK / ISLAND BACK

WALL CABINETS

BASE CABINETS



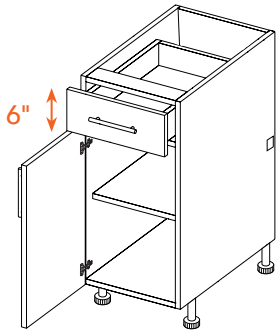
Our wall, base and tall cabinets feature a full-height 3/4" thick enclosed All-Weatherboard® composite material back panel. Base cabinets can be installed as a freestanding island, or as a peninsula extending from a wall.

**PLEASE NOTE: Freestanding Islands and peninsulas must be secured to the floor**

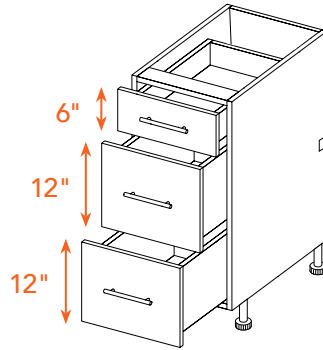
# DRAWER FRONT & DRAWER BOX DIMENSIONS

BASE CABINETS WITH DRAWERS			
Cabinet Code	Shallow Drawer 6" High Fronts	Medium Drawer 8" High Fronts	Deep Drawer 12" High Fronts
B	1	0	0
B3D	1	0	2
B4D	1	3	0

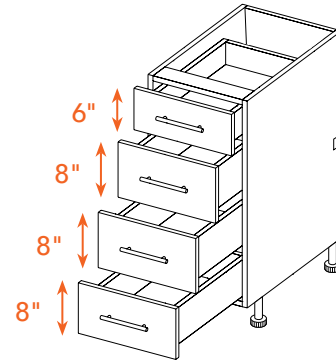
**B** Base Door & Drawer



**B3D** 3-Drawer Base



**B4D** 4-Drawer Base



## DRAWER BOX INTERIOR DIMENSIONS

Cabinet (Island Back)	Shallow Drawer			Medium Drawer			Deep Drawer		
	Height	Depth	Width	Height	Depth	Width	Height	Depth	Width
B12, B12-1T, B12-2T, B1227, B1227-1T, B1227-2T, B3D12, B3D1227, B4D12, B4D1227	3-3/4"	20-1/4"	8"	5-1/4"	20-1/4"	8"	7-1/4"	20-1/4"	8"
B15, B15-1T, B15-2T, B1527, B1527-1T, B1527-2T, B3D15, B3D1527, B4D15, B4D1527	3-3/4"	20-1/4"	11"	5-1/4"	20-1/4"	11"	7-1/4"	20-1/4"	11"
B18, B18-1T, B18-2T, B1827, B1827-1T, B1827-2T, B3D18, B3D1827, B4D18, B4D1827	3-3/4"	20-1/4"	14"	5-1/4"	20-1/4"	14"	7-1/4"	20-1/4"	14"
B21, B21-1T, B21-2T, B2127, B2127-1T, B2127-2T, B3D21, B3D2127, B4D21, B4D2127	3-3/4"	20-1/4"	17"	5-1/4"	20-1/4"	17"	7-1/4"	20-1/4"	17"
B24, B24-1T, B24-2T, B2427, B2427-1T, B2427-2T, B3D24, B3D2427, B4D24, B4D2427	3-3/4"	20-1/4"	20"	5-1/4"	20-1/4"	20"	7-1/4"	20-1/4"	20"
B27, B27-1T, B27-2T, B2727, B2727-1T, B2727-2T, B3D27, B3D2727, B4D27, B4D2727	3-3/4"	20-1/4"	23"	5-1/4"	20-1/4"	23"	7-1/4"	20-1/4"	23"
B30, B30-1T, B30-2T, B3027, B3027-1T, B3027-2T, B3D30, B3D3027, B4D30, B4D3027	3-3/4"	20-1/4"	26"	5-1/4"	20-1/4"	26"	7-1/4"	20-1/4"	26"
B33, B33-1T, B33-2T, B3327, B3327-1T, B3327-2T, B3D33, B3D3327, B4D33, B4D3327	3-3/4"	20-1/4"	29"	5-1/4"	20-1/4"	29"	7-1/4"	20-1/4"	29"
B36, B36-1T, B36-2T, B3627, B3627-1T, B3627-2T, B3D36, B3D3627, B4D36, B4D3627	3-3/4"	20-1/4"	30"	5-1/4"	20-1/4"	30"	7-1/4"	20-1/4"	30"

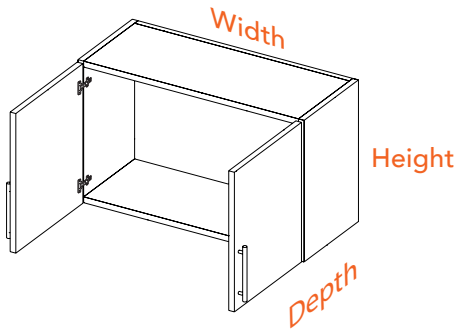


# WALL CABINETS

Island/Full Back Wall Cabinet Coding				
W 30 09 15 IB				
W	30	09	15	IB
Cabinet Code	Width	Depth	Height	Island/Full Back

## Double Door Bridge

- 3/4" All-Weatherboard® composite material cabinet construction
- No interior shelves included
- Fully integrated back panel
- Available in all door styles and finishes
- Stainless steel handles are required and sold separately. See page 35 for details.



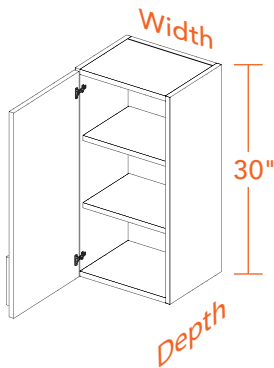
	Item Number	Width	Depth	Height	Back
15" High	W300915IB	30	9	15	Full
	W3015IB	30	12	15	Full
	W301515IB	30	15	15	Full
	W330915IB	33	9	15	Full
	W3315IB	33	12	15	Full
	W331515IB	33	15	15	Full
	W360915IB	36	9	15	Full
	W3615IB	36	12	15	Full
	W361515IB	36	15	15	Full
18" High	W300918IB	30	9	18	Full
	W3018IB	30	12	18	Full
	W301518IB	30	15	18	Full
	W330918IB	33	9	18	Full
	W3318IB	33	12	18	Full
	W331518IB	33	15	18	Full
	W360918IB	36	9	18	Full
	W3618IB	36	12	18	Full
	W361518IB	36	15	18	Full
24" High	W300924IB	30	9	24	Full
	W3024IB	30	12	24	Full
	W301524IB	30	15	24	Full
	W330924IB	33	9	24	Full
	W3324IB	33	12	24	Full
	W331524IB	33	15	24	Full
	W360924IB	36	9	24	Full
	W3624IB	36	12	24	Full
	W361524IB	36	15	24	Full

# WALL CABINETS

## 30" High Single Door

### SPECIFY RIGHT or LEFT HINGED

- 2 full depth adjustable shelves
- 3/4" All-Weatherboard® composite material cabinet construction
- Fully integrated back panel
- Available in all door styles and finishes
- Stainless steel handles are required and sold separately. See page 35 for details.

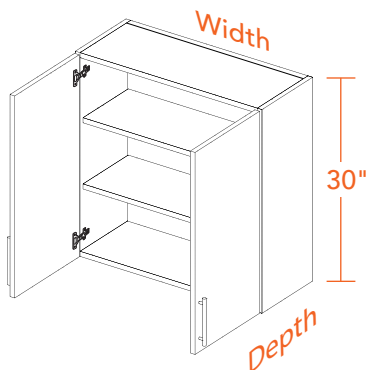


30" High

Item Number	Width	Depth	Height	Back
W120930LIB	12	9	30	Full
W120930RIB	12	9	30	Full
W1230LIB	12	12	30	Full
W1230RIB	12	12	30	Full
W121530LIB	12	15	30	Full
W121530RIB	12	15	30	Full
W150930LIB	15	9	30	Full
W150930RIB	15	9	30	Full
W1530LIB	15	12	30	Full
W1530RIB	15	12	30	Full
W151530LIB	15	15	30	Full
W151530RIB	15	15	30	Full
W180930LIB	18	9	30	Full
W180930RIB	18	9	30	Full
W1830LIB	18	12	30	Full
W1830RIB	18	12	30	Full
W181530LIB	18	15	30	Full
W181530RIB	18	15	30	Full
W210930LIB	21	9	30	Full
W210930RIB	21	9	30	Full
W2130LIB	21	12	30	Full
W2130RIB	21	12	30	Full
W211530LIB	21	15	30	Full
W211530RIB	21	15	30	Full

## 30" High Double Door

- 2 full depth adjustable shelves
- 3/4" All-Weatherboard® composite material cabinet construction
- Fully integrated back panel
- Available in all door styles and finishes
- Stainless steel handles are required and sold separately. See page 35 for details.



30" High

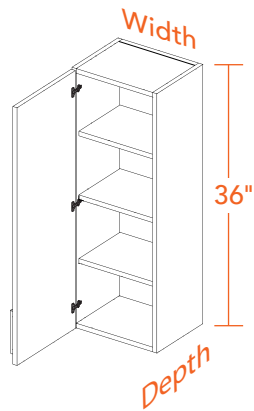
Item Number	Width	Depth	Height	Back
W240930IB	24	9	30	Full
W2430IB	24	12	30	Full
W241530IB	24	15	30	Full
W270930IB	27	9	30	Full
W2730IB	27	12	30	Full
W271530IB	27	15	30	Full
W300930IB	30	9	30	Full
W3030IB	30	12	30	Full
W301530IB	30	15	30	Full
W330930IB	33	9	30	Full
W3330IB	33	12	30	Full
W331530IB	33	15	30	Full
W360930IB	36	9	30	Full
W3630IB	36	12	30	Full
W361530IB	36	15	30	Full

# WALL CABINETS

## 36" High Single Door

### SPECIFY RIGHT or LEFT HINGED

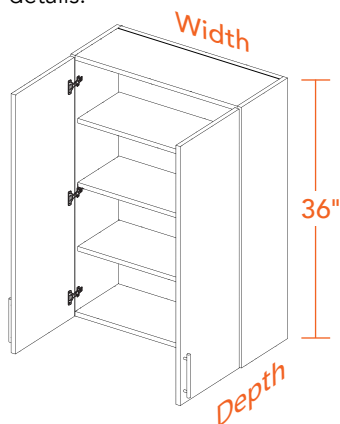
- 3 full depth adjustable shelves
- 3/4" All-Weatherboard® composite material cabinet construction
- Fully integrated back panel
- Available in all door styles and finishes
- Stainless steel handles are required and sold separately. See page 35 for details.



	Item Number	Width	Depth	Height	Back
36" High	W120936LIB	12	9	36	Full
	W120936RIB	12	9	36	Full
	W1236LIB	12	12	36	Full
	W1236RIB	12	12	36	Full
	W121536LIB	12	15	36	Full
	W121536RIB	12	15	36	Full
	W150936LIB	15	9	36	Full
	W150936RIB	15	9	36	Full
	W1536LIB	15	12	36	Full
	W1536RIB	15	12	36	Full
	W151536LIB	15	15	36	Full
	W151536RIB	15	15	36	Full
	W180936LIB	18	9	36	Full
	W180936RIB	18	9	36	Full
	W1836LIB	18	12	36	Full
	W1836RIB	18	12	36	Full
	W181536LIB	18	15	36	Full
	W181536RIB	18	15	36	Full
	W210936LIB	21	9	36	Full
	W210936RIB	21	9	36	Full
	W2136LIB	21	12	36	Full
W2136RIB	21	12	36	Full	
W211536LIB	21	15	36	Full	
W211536RIB	21	15	36	Full	

## 36" High Double Door

- 3 full depth adjustable shelves
- 3/4" All-Weatherboard® composite material cabinet construction
- Fully integrated back panel
- Available in all door styles and finishes
- Stainless steel handles are required and sold separately. See page 35 for details.



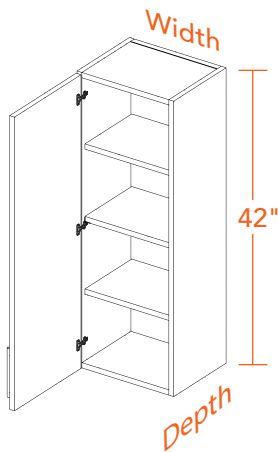
	Item Number	Width	Depth	Height	Back
36" High	W240936IB	24	9	36	Full
	W2436IB	24	12	36	Full
	W241536IB	24	15	36	Full
	W270936IB	27	9	36	Full
	W2736IB	27	12	36	Full
	W271536IB	27	15	36	Full
	W300936IB	30	9	36	Full
	W3036IB	30	12	36	Full
	W301536IB	30	15	36	Full
	W330936IB	33	9	36	Full
	W3336IB	33	12	36	Full
	W331536IB	33	15	36	Full
	W360936IB	36	9	36	Full
	W3636IB	36	12	36	Full
	W361536IB	36	15	36	Full

# WALL CABINETS

## 42" High Single Door

### SPECIFY RIGHT or LEFT HINGED

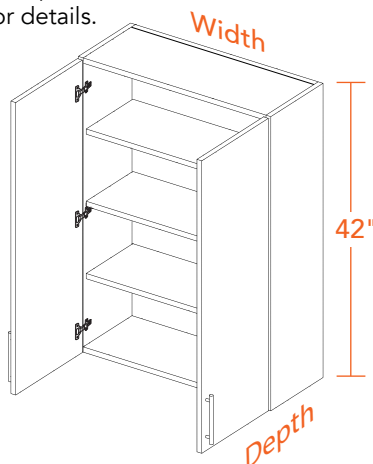
- 3 full depth adjustable shelves
- 3/4" All-Weatherboard® composite material cabinet construction
- Fully integrated back panel
- Available in all door styles and finishes
- Stainless steel handles are required and sold separately. See page 35 for details.



	Item Number	Width	Depth	Height	Back
42" High	W120942LIB	12	9	42	Full
	W120942RIB	12	9	42	Full
	W1242LIB	12	12	42	Full
	W1242RIB	12	12	42	Full
	W121542LIB	12	15	42	Full
	W121542RIB	12	15	42	Full
	W150942LIB	15	9	42	Full
	W150942RIB	15	9	42	Full
	W1542LIB	15	12	42	Full
	W1542RIB	15	12	42	Full
	W151542LIB	15	15	42	Full
	W151542RIB	15	15	42	Full
	W180942LIB	18	9	42	Full
	W180942RIB	18	9	42	Full
	W1842LIB	18	12	42	Full
	W1842RIB	18	12	42	Full
	W181542LIB	18	15	42	Full
	W181542RIB	18	15	42	Full
	W210942LIB	21	9	42	Full
	W210942RIB	21	9	42	Full
	W2142LIB	21	12	42	Full
W2142RIB	21	12	42	Full	
W211542LIB	21	15	42	Full	
W211542RIB	21	15	42	Full	

## 42" High Double Door

- 3 full depth adjustable shelves
- 3/4" All-Weatherboard® composite material cabinet construction
- Fully integrated back panel
- Available in all door styles and finishes
- Stainless steel handles are required and sold separately. See page 35 for details.



	Item Number	Width	Depth	Height	Back
42" High	W240942IB	24	9	42	Full
	W2442IB	24	12	42	Full
	W241542IB	24	15	42	Full
	W270942IB	27	9	42	Full
	W2742IB	27	12	42	Full
	W271542IB	27	15	42	Full
	W300942IB	30	9	42	Full
	W3042IB	30	12	42	Full
	W301542IB	30	15	42	Full
	W330942IB	33	9	42	Full
	W3342IB	33	12	42	Full
	W331542IB	33	15	42	Full
	W360942IB	36	9	42	Full
	W3642IB	36	12	42	Full
	W361542IB	36	15	42	Full

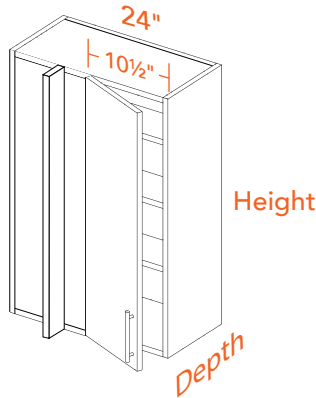


# WALL CABINETS

## Blind Wall Cabinets

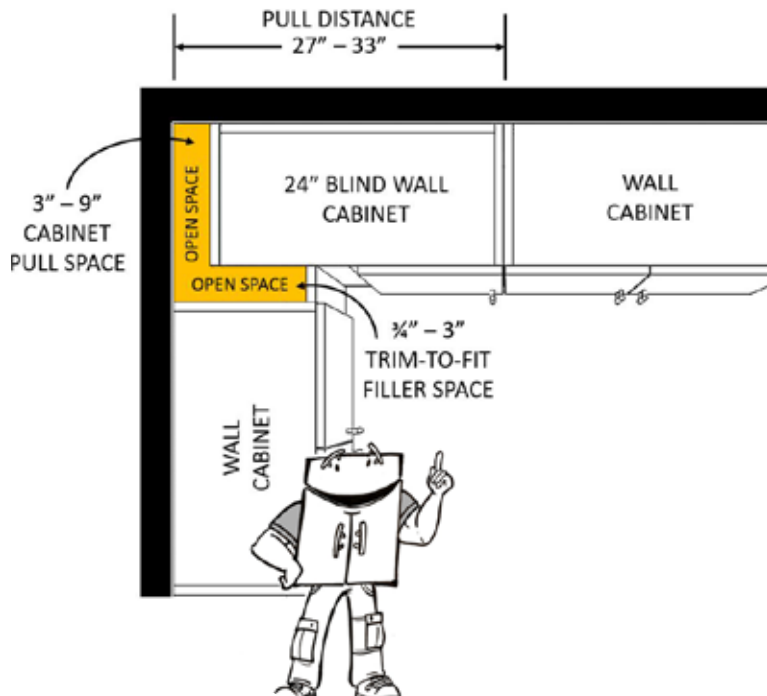
**SPECIFY RIGHT or LEFT BLIND (left shown)**

- 30" height 2 reduced depth adjustable shelves
- 36" and 42" height 3 reduced depth adjustable shelves
- 3/4" All-Weatherboard® composite material cabinet construction
- Fully integrated back panel
- Available in all door styles and finishes
- Door width is 12", opening is 10 1/2"
- Stainless steel handles are required and sold separately. See page 35 for details.



	Item Number	Width	Depth	Height	Back
30" High	WBCU270930LIB	24	9	30	Full
	WBCU270930RIB	24	9	30	Full
	WBCU2730LIB	24	12	30	Full
	WBCU2730RIB	24	12	30	Full
	WBCU271530LIB	24	15	30	Full
	WBCU271530RIB	24	15	30	Full
36" High	WBCU270936LIB	24	9	36	Full
	WBCU270936RIB	24	9	36	Full
	WBCU2736LIB	24	12	36	Full
	WBCU2736RIB	24	12	36	Full
	WBCU271536LIB	24	15	36	Full
	WBCU271536RIB	24	15	36	Full
42" High	WBCU270942LIB	24	9	42	Full
	WBCU270942RIB	24	9	42	Full
	WBCU2742LIB	24	12	42	Full
	WBCU2742RIB	24	12	42	Full
	WBCU271542LIB	24	15	42	Full
	WBCU271542RIB	24	15	42	Full

**Blind Wall Installation Tip:** The Blind Wall cabinet is 24" wide. It must be installed from 3" to 9" away from the adjacent wall. This allows the door full clearance and provides a flexible installation range. From the adjacent wall to the far edge of the cabinet, a minimum width of 27" to a maximum width of 33" is required.



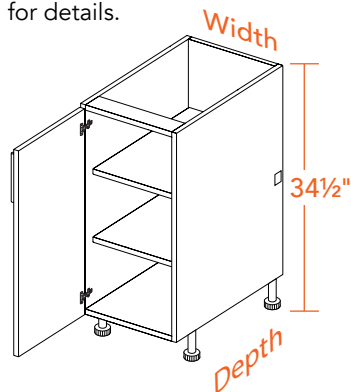
# BASE CABINETS

Island Back Base Cabinet Coding					
B 12 18 FH L IB					
B	12	18	FH	L	IB
Cabinet Code	Width	Depth	Full Height Door	Left Hinge	Island Back

## Full Height Single Door

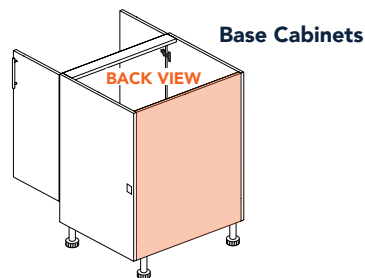
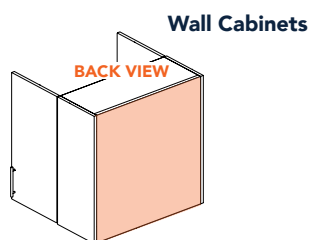
### SPECIFY RIGHT or LEFT HINGED

- 2 full depth adjustable shelves
- 3/4" All-Weatherboard® composite material cabinet construction
- Fully integrated back panel
- Includes 4 'Sure Level' polymer legs, shipped loose for field installation and leveling
- Available in all door styles and finishes
- Stainless steel handles are required and sold separately. See page 35 for details.



Item Number	Width	Depth	Height	Back
34.5" High				
B1218FHLIB	12	18	34.5	Full
B1218FHRIB	12	18	34.5	Full
B1221FHLIB	12	21	34.5	Full
B1221FHRIB	12	21	34.5	Full
B12FHLIB	12	24	34.5	Full
B12FHRIB	12	24	34.5	Full
B1227FHLIB	12	27	34.5	Full
B1227FHRIB	12	27	34.5	Full
B1518FHLIB	15	18	34.5	Full
B1518FHRIB	15	18	34.5	Full
B1521FHLIB	15	21	34.5	Full
B1521FHRIB	15	21	34.5	Full
B15FHLIB	15	24	34.5	Full
B15FHRIB	15	24	34.5	Full
B1527FHLIB	15	27	34.5	Full
B1527FHRIB	15	27	34.5	Full
B1818FHLIB	18	18	34.5	Full
B1818FHRIB	18	18	34.5	Full
B1821FHLIB	18	21	34.5	Full
B1821FHRIB	18	21	34.5	Full
B18FHLIB	18	24	34.5	Full
B18FHRIB	18	24	34.5	Full
B1827FHLIB	18	27	34.5	Full
B1827FHRIB	18	27	34.5	Full
B2118FHLIB	21	18	34.5	Full
B2118FHRIB	21	18	34.5	Full
B2121FHLIB	21	21	34.5	Full
B2121FHRIB	21	21	34.5	Full
B21FHLIB	21	24	34.5	Full
B21FHRIB	21	24	34.5	Full
B2127FHLIB	21	27	34.5	Full
B2127FHRIB	21	27	34.5	Full

**Island Back Base Tip:** Island Back (IB) cabinets are great for use as a free standing island and in wide open areas. The fully integrated back panels provide a factory built barrier against debris.

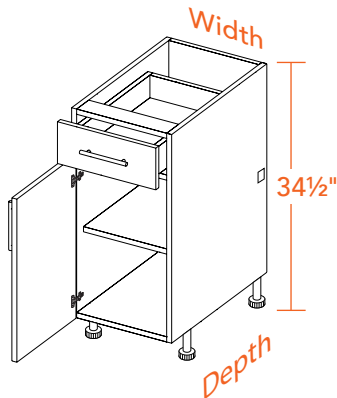


# BASE CABINETS

## Single Door & Drawer

**SPECIFY RIGHT or LEFT HINGED**

- Single full depth adjustable shelf
- 3/4" All-Weatherboard® composite material cabinet construction
- Fully integrated back panel
- Includes 4 'Sure Level' polymer legs, shipped loose for field installation and leveling
- Available in all door styles and finishes
- Stainless steel handles are required and sold separately. See page 35 for details.



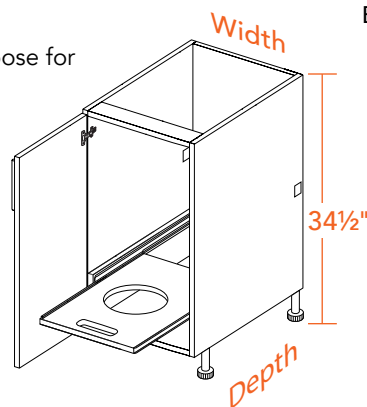
34.5" High

Item Number	Width	Depth	Height	Back
B12LIB	12	24	34.5	Full
B12RIB	12	24	34.5	Full
B1227LIB	12	27	34.5	Full
B1227RIB	12	27	34.5	Full
B15LIB	15	24	34.5	Full
B15RIB	15	24	34.5	Full
B1527LIB	15	27	34.5	Full
B1527RIB	15	27	34.5	Full
B18LIB	18	24	34.5	Full
B18RIB	18	24	34.5	Full
B1827LIB	18	27	34.5	Full
B1827RIB	18	27	34.5	Full
B21LIB	21	24	34.5	Full
B21RIB	21	24	34.5	Full
B2127LIB	21	27	34.5	Full
B2127RIB	21	27	34.5	Full

## Full Height Single Door With Propane Pull-out

**SPECIFY RIGHT or LEFT HINGED**

- Pull-out features soft close, side mounted, ball bearing stainless steel drawer glides
- Weather proof inset handle for easy grip
- Circular cut-out for up to a standard 20lb propane tank
- 3/4" All-Weatherboard® composite material cabinet construction
- Fully integrated back panel
- Includes 4 'Sure Level' polymer legs, shipped loose for field installation and leveling
- Available in all door styles and finishes
- Stainless steel handles are required and sold separately. See page 35 for details.



34.5" High

Item Number	Width	Depth	Height	Back
B18FHLIB-PP	18	24	34.5	Full
B18FHRIB-PP	18	24	34.5	Full
B1827FHLIB-PP	18	27	34.5	Full
B1827FHRIB-PP	18	27	34.5	Full
B21FHLIB-PP	21	24	34.5	Full
B21FHRIB-PP	21	24	34.5	Full
B2127FHLIB-PP	21	27	34.5	Full
B2127FHRIB-PP	21	27	34.5	Full

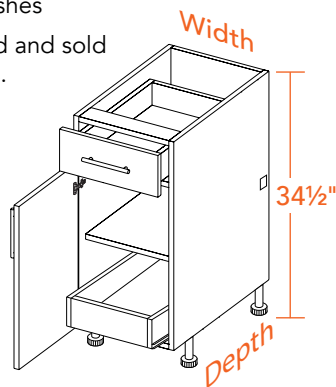
**MOST POPULAR**

# BASE CABINETS

## Single Door & Drawer With 1 Roll-Out Tray

**SPECIFY RIGHT or LEFT HINGED**

- Roll-out tray features soft close, side mounted, ball bearing stainless steel drawer glides
- Roll-out tray is 6" high by 21 ¾" deep, and is constructed of ¾" All-Weatherboard® composite material construction, sides and bottom panel
- ¾" All-Weatherboard® composite material cabinet construction
- Fully integrated back panel
- Includes 4 'Sure Level' polymer legs, shipped loose for field installation and leveling
- Available in all door styles and finishes
- Stainless steel handles are required and sold separately. See page 35 for details.



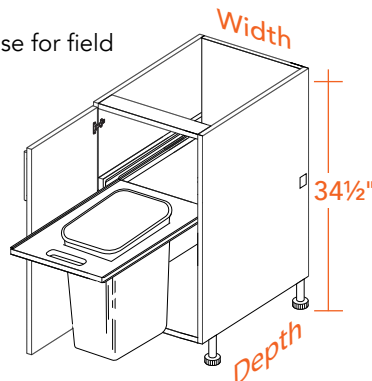
\*27" deep base cabinets have the same roll-out tray as the 24" deep cabinets

Item Number	Width	Depth	Height	Back
B12LIB-1T	12	24	34.5	Full
B12RIB-1T	12	24	34.5	Full
B1227LIB-1T*	12	27	34.5	Full
B1227RIB-1T*	12	27	34.5	Full
B15LIB-1T	15	24	34.5	Full
B15RIB-1T	15	24	34.5	Full
B1527LIB-1T*	15	27	34.5	Full
B1527RIB-1T*	15	27	34.5	Full
B18LIB-1T	18	24	34.5	Full
B18RIB-1T	18	24	34.5	Full
B1827LIB-1T*	18	27	34.5	Full
B1827RIB-1T*	18	27	34.5	Full
B21LIB-1T	21	24	34.5	Full
B21RIB-1T	21	24	34.5	Full
B2127LIB-1T*	21	27	34.5	Full
B2127RIB-1T*	21	27	34.5	Full

## Full Height Single Door With Trashcan Pull-Out

**SPECIFY RIGHT or LEFT HINGED**

- Pull-out features soft close, side mounted, ball bearing stainless steel drawer glides
- Weather proof inset handle for easy grip
- Removable 35 quart capacity plastic bin with weather proof gasket
- ¾" All-Weatherboard® composite material cabinet construction
- Fully integrated back panel
- Includes 4 'Sure Level' polymer legs, shipped loose for field installation and leveling
- Available in all door styles and finishes
- Stainless steel handles are required and sold separately. See page 35 for details.



Item Number	Width	Depth	Height	Back
B18FHLIB-TC	18	24	34.5	Full
B18FHRIB-TC	18	24	34.5	Full
B1827FHLIB-TC	18	27	34.5	Full
B1827FHRIB-TC	18	27	34.5	Full
B21FHLIB-TC	21	24	34.5	Full
B21FHRIB-TC	21	24	34.5	Full
B2127FHLIB-TC	21	27	34.5	Full
B2127FHRIB-TC	21	27	34.5	Full

**MOST POPULAR**

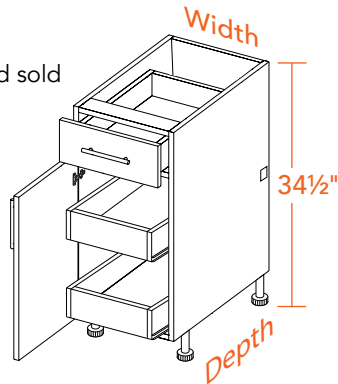


# BASE CABINETS

## Single Door & Drawer With 2 Roll-Out Trays

**SPECIFY RIGHT or LEFT HINGED**

- Roll-out trays feature soft close, side mounted, ball bearing stainless steel drawer glides
- Roll-out tray is 6" high by 21 3/4" deep, and is constructed of 3/4" All-Weatherboard® composite material construction, sides and bottom panel
- 3/4" All-Weatherboard® composite material cabinet construction
- Fully integrated back panel
- Includes 4 'Sure Level' polymer legs, shipped loose for field installation and leveling
- Available in all door styles and finishes
- Stainless steel handles are required and sold separately. See page 35 for details.

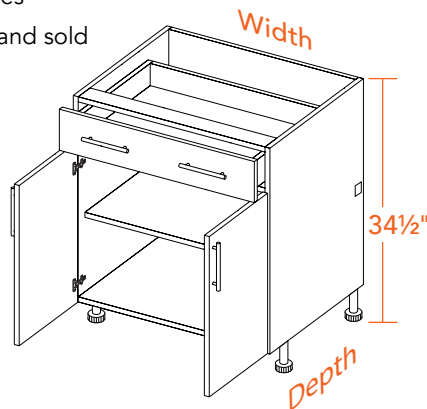


\*27" deep base cabinets have the same roll-out tray as the 24" deep cabinets

Item Number	Width	Depth	Height	Back
B12LIB-2T	12	24	34.5	Full
B12RIB-2T	12	24	34.5	Full
B1227LIB-2T*	12	27	34.5	Full
B1227RIB-2T*	12	27	34.5	Full
B15LIB-2T	15	24	34.5	Full
B15RIB-2T	15	24	34.5	Full
B1527LIB-2T*	15	27	34.5	Full
B1527RIB-2T*	15	27	34.5	Full
B18LIB-2T	18	24	34.5	Full
B18RIB-2T	18	24	34.5	Full
B1827LIB-2T*	18	27	34.5	Full
B1827RIB-2T*	18	27	34.5	Full
B21LIB-2T	21	24	34.5	Full
B21RIB-2T	21	24	34.5	Full
B2127LIB-2T*	21	27	34.5	Full
B2127RIB-2T*	21	27	34.5	Full

## Double Door & Drawer

- Single full depth adjustable shelf
- 3/4" All-Weatherboard® composite material cabinet construction
- Fully integrated back panel
- Includes 4 'Sure Level' polymer legs, shipped loose for field installation and leveling
- Available in all door styles and finishes
- Stainless steel handles are required and sold separately. See page 35 for details.



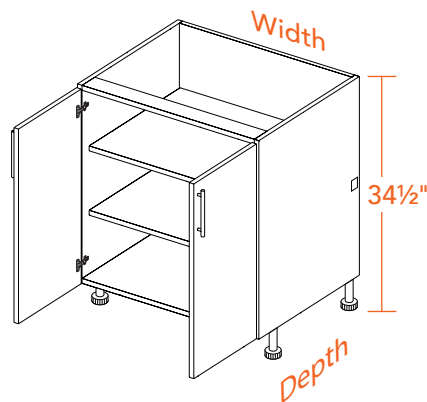
Item Number	Width	Depth	Height	Back
B24IB	24	24	34.5	Full
B2427IB	24	27	34.5	Full
B27IB	27	24	34.5	Full
B2727IB	27	27	34.5	Full
B30IB	30	24	34.5	Full
B3027IB	30	27	34.5	Full
B33IB	33	24	34.5	Full
B3327IB	33	27	34.5	Full
B36IB	36	24	34.5	Full
B3627IB	36	27	34.5	Full

# BASE CABINETS

## Full Height Double Door

- Two full-depth adjustable shelves
- 3/4" All-Weatherboard® composite material cabinet construction
- Fully integrated back panel
- Includes 4 'Sure Level' polymer legs, shipped loose for field installation and leveling
- Available in all door styles and finishes
- Stainless steel handles are required and sold separately. See page 35 for details.

34.5" High

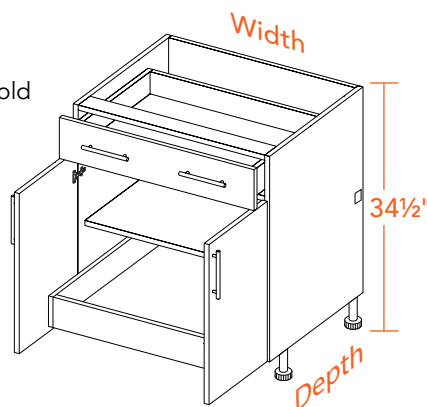


Item Number	Width	Depth	Height	Back
B2418FHIB	24	18	34.5	Full
B2421FHIB	24	21	34.5	Full
B24FHIB	24	24	34.5	Full
B2427FHIB	24	27	34.5	Full
B2718FHIB	27	18	34.5	Full
B2721FHIB	27	21	34.5	Full
B27FHIB	27	24	34.5	Full
B2727FHIB	27	27	34.5	Full
B3018FHIB	30	18	34.5	Full
B3021FHIB	30	21	34.5	Full
B30FHIB	30	24	34.5	Full
B3027FHIB	30	27	34.5	Full
B3318FHIB	33	18	34.5	Full
B3321FHIB	33	21	34.5	Full
B33FHIB	33	24	34.5	Full
B3327FHIB	33	27	34.5	Full
B3618FHIB	36	18	34.5	Full
B3621FHIB	36	21	34.5	Full
B36FHIB	36	24	34.5	Full
B3627FHIB	36	27	34.5	Full

## Double Door & Drawer With 1 Roll-Out Tray

- Roll-out tray features soft close, side mounted, ball bearing stainless steel drawer glides
- Roll-out tray is 6" high by 21 3/4" deep, and is constructed of 3/4" All-Weatherboard® composite material construction, sides and bottom panel
- 3/4" All-Weatherboard® composite material cabinet construction
- Fully integrated back panel
- Includes 4 'Sure Level' polymer legs, shipped loose for field installation and leveling
- Available in all door styles and finishes
- Stainless steel handles are required and sold separately. See page 35 for details.

34.5" High



Item Number	Width	Depth	Height	Back
B24IB-1T	24	24	34.5	Full
B2427IB-1T*	24	27	34.5	Full
B27IB-1T	27	24	34.5	Full
B2727IB-1T*	27	27	34.5	Full
B30IB-1T	30	24	34.5	Full
B3027IB-1T*	30	27	34.5	Full
B33IB-1T	33	24	34.5	Full
B3327IB-1T*	33	27	34.5	Full
B36IB-1T	36	24	34.5	Full
B3627IB-1T*	36	27	34.5	Full

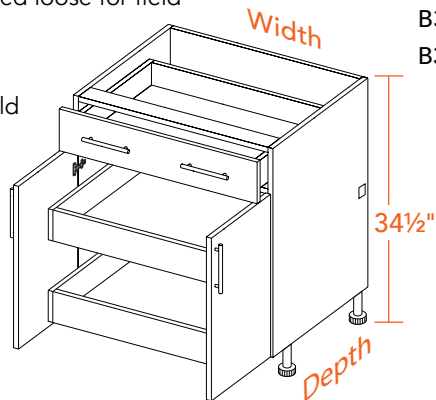
\*27" deep base cabinets have the same roll-out tray as the 24" deep cabinets

# BASE CABINETS

## Double Door & Drawer With 2 Roll-Out Trays

- Roll-out trays feature soft close, side mounted, ball bearing stainless steel drawer glides
- Roll-out tray is 6" high by 21 3/4" deep, and is constructed of 3/4" All-Weatherboard® composite material construction, sides and bottom panel
- 3/4" All-Weatherboard® composite material cabinet construction
- Fully integrated back panel
- Includes 4 'Sure Level' polymer legs, shipped loose for field installation and leveling
- Available in all door styles and finishes
- Stainless steel handles are required and sold separately. See page 35 for details.

34.5" High



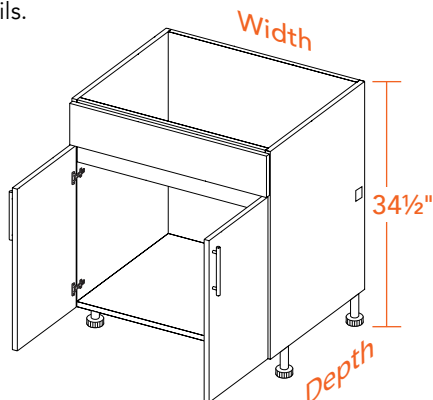
\*27" deep base cabinets have the same roll-out tray as the 24" deep cabinets

Item Number	Width	Depth	Height	Back
B24IB-2T	24	24	34.5	Full
B2427IB-2T*	24	27	34.5	Full
B27IB-2T	27	24	34.5	Full
B2727IB-2T*	27	27	34.5	Full
B30IB-2T	30	24	34.5	Full
B3027IB-2T*	30	27	34.5	Full
B33IB-2T	33	24	34.5	Full
B3327IB-2T*	33	27	34.5	Full
B36IB-2T	36	24	34.5	Full
B3627IB-2T*	36	27	34.5	Full

## Double Door Sink Base

- 3/4" All-Weatherboard® composite material cabinet construction
- False drawer front to accommodate sink
- No adjustable shelf
- Fully integrated back panel
- Includes 4 'Sure Level' polymer legs, shipped loose for field installation and leveling
- Available in all door styles and finishes
- Stainless steel handles are required and sold separately. See page 35 for details.

34.5" High



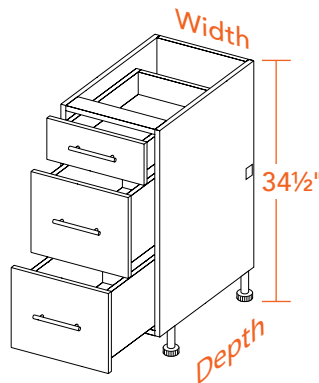
Item Number	Width	Depth	Height	Back
SB2418IB	24	18	34.5	Full
SB2421IB	24	21	34.5	Full
SB24IB	24	24	34.5	Full
SB2427IB	24	27	34.5	Full
SB2718IB	27	18	34.5	Full
SB2721IB	27	21	34.5	Full
SB27IB	27	24	34.5	Full
SB2727IB	27	27	34.5	Full
SB3018IB	30	18	34.5	Full
SB3021IB	30	21	34.5	Full
SB30IB	30	24	34.5	Full
SB3027IB	30	27	34.5	Full
SB3318IB	33	18	34.5	Full
SB3321IB	33	21	34.5	Full
SB33IB	33	24	34.5	Full
SB3327IB	33	27	34.5	Full
SB3618IB	36	18	34.5	Full
SB3621IB	36	21	34.5	Full
SB36IB	36	24	34.5	Full
SB3627IB	36	27	34.5	Full

# BASE CABINETS

Island Back Drawer Base Cabinet Coding				
B 3D 12 27 IB				
B	3D	12	27	IB
Cabinet Code	Three Drawers	Width	Depth	Island Back

## 3 Drawer Base

- 3/4" All-Weatherboard® composite material cabinet construction
- Top drawer front is 6" high
- Middle and bottom drawer fronts are 12" high
- Fully integrated back panel
- Includes 4 'Sure Level' polymer legs, shipped loose for field installation and leveling
- Available in all door styles and finishes
- Stainless steel handles are required and sold separately. See page 35 for details.

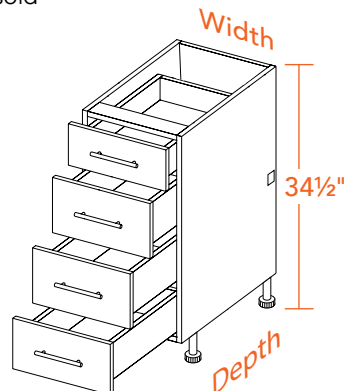


34.5" High

Item Number	Width	Depth	Height	Back
B3D12IB	12	24	34.5	Full
B3D1227IB	12	27	34.5	Full
B3D15IB	15	24	34.5	Full
B3D1527IB	15	27	34.5	Full
B3D18IB	18	24	34.5	Full
B3D1827IB	18	27	34.5	Full
B3D21IB	21	24	34.5	Full
B3D2127IB	21	27	34.5	Full
B3D24IB	24	24	34.5	Full
B3D2427IB	24	27	34.5	Full

## 4 Drawer Base

- 3/4" All-Weatherboard® composite material cabinet construction
- Top drawer front is 6" high
- Bottom three drawer fronts are 8" high
- Fully integrated back panel
- Includes 4 'Sure Level' polymer legs, shipped loose for field installation and leveling
- Available in all door styles and finishes
- Stainless steel handles are required and sold separately. See page 35 for details.



34.5" High

Item Number	Width	Depth	Height	Back
B4D12IB	12	24	34.5	Full
B4D1227IB	12	27	34.5	Full
B4D15IB	15	24	34.5	Full
B4D1527IB	15	27	34.5	Full
B4D18IB	18	24	34.5	Full
B4D1827IB	18	27	34.5	Full
B4D21IB	21	24	34.5	Full
B4D2127IB	21	27	34.5	Full
B4D24IB	24	24	34.5	Full
B4D2427IB	24	27	34.5	Full



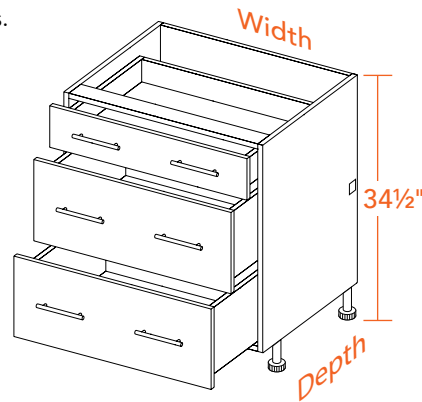
# BASE CABINETS

## Wide 3 Drawer Base

- 3/4" All-Weatherboard® composite material cabinet construction
- Top drawer front is 6" high
- Middle and bottom drawer fronts are 12" high
- Fully integrated back panel
- Includes 4 'Sure Level' polymer legs, shipped loose for field installation and leveling
- Available in all door styles and finishes
- Stainless steel handles are required and sold separately. See page 35 for details.

34.5" High

Item Number	Width	Depth	Height	Back
B3D27IB	27	24	34.5	Full
B3D2727IB	27	27	34.5	Full
B3D30IB	30	24	34.5	Full
B3D3027IB	30	27	34.5	Full
B3D33IB	33	24	34.5	Full
B3D3327IB	33	27	34.5	Full
B3D36IB	36	24	34.5	Full
B3D3627IB	36	27	34.5	Full

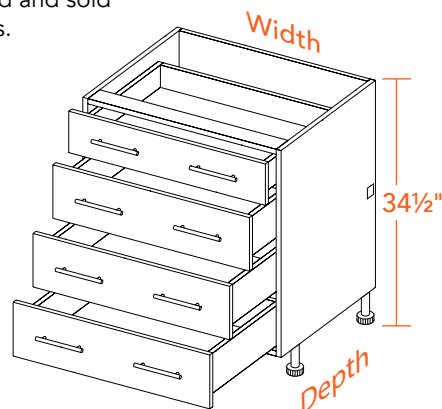


## Wide 4 Drawer Base

- 3/4" All-Weatherboard® composite material cabinet construction
- Top drawer front is 6" high
- Bottom three drawer fronts are 8" high
- Fully integrated back panel
- Includes 4 'Sure Level' polymer legs, shipped loose for field installation and leveling
- Available in all door styles and finishes
- Stainless steel handles are required and sold separately. See page 35 for details.

34.5" High

Item Number	Width	Depth	Height	Back
B4D27IB	27	24	34.5	Full
B4D2727IB	27	27	34.5	Full
B4D30IB	30	24	34.5	Full
B4D3027IB	30	27	34.5	Full
B4D33IB	33	24	34.5	Full
B4D3327IB	33	27	34.5	Full
B4D36IB	36	24	34.5	Full
B4D3627IB	36	27	34.5	Full



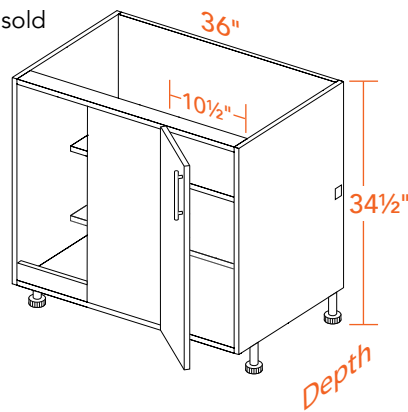
# BASE CABINETS

## Blind Base

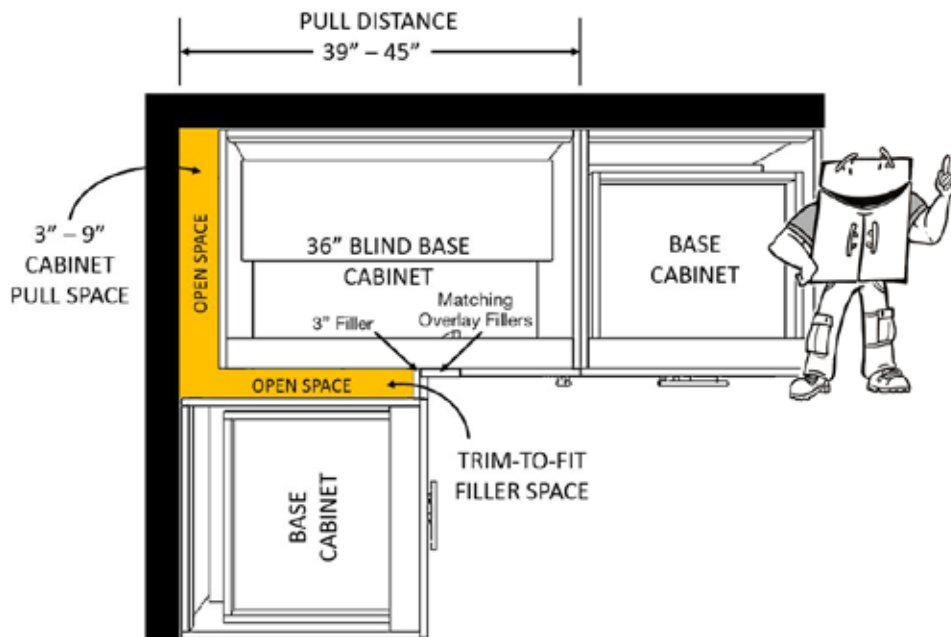
**SPECIFY RIGHT or LEFT BLIND (left shown)**

- Two reduced depth adjustable shelves
- 3" filler, 3" & 6" overlay fillers included
- 3/4" All-Weatherboard® composite material cabinet construction
- Fully integrated back panel
- Includes 4 'Sure Level' polymer legs, shipped loose for field installation and leveling
- Available in all door styles and finishes
- Door width is 12", opening is 10 1/2"
- Stainless steel handles are required and sold separately. See page 35 for details.

Item Number	Width	Depth	Height	Back
34.5" High BBCU3918FHLIB	36	18	34.5	Full
BBCU3918FHRIB	36	18	34.5	Full
BBCU3921FHLIB	36	21	34.5	Full
BBCU3921FHRIB	36	21	34.5	Full
BBCU39FHLIB	36	24	34.5	Full
BBCU39FHRIB	36	24	34.5	Full
BBCU3927FHLIB	36	27	34.5	Full
BBCU3927FHRIB	36	27	34.5	Full



**Blind Base Tip:** The Blind Base cabinet is 36" wide. It must be installed from 3" to 9" away from the adjacent wall. This allows the door full clearance and provides a flexible installation range. From the adjacent wall to the far edge of the cabinet, a minimum width of 39" to a maximum width of 45" is required.



# SIDE BURNER CABINETS

## IMPORTANT INFORMATION

Side Burner and Grill Base cabinets include pre-cut ventilation outlets.

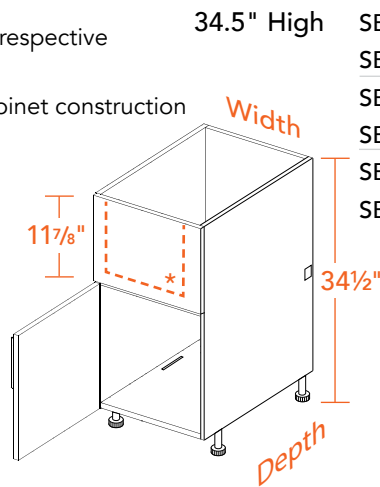
- 3 in the floor of the cabinet
- 1 3/4" x 1 3/4" square hole in each side of the cabinet.
- All will also include a toe kick with 3 pre-cut ventilation outlets.  
These ventilation outlets allow the release of possible heat or gas build up.

**Please Note:** Heat Liner must be used with all Side Burner and Grill Cabinets

### Side Burner Single Door Base

- The face plate is modified in field to accept the respective heat liner used with the side burner
- 3/4" All-Weatherboard® composite material cabinet construction
- Fully integrated back panel
- Includes 4 'Sure Level' polymer legs, shipped loose for field installation and leveling
- Available in all door styles and finishes
- Separate toe kick with venting included
- Stainless steel handles are required and sold separately. See page 35 for details.

**Please Note:** All built in side burners require an insulated jacket. Please consult your side burner manufacturer for the appropriate model.

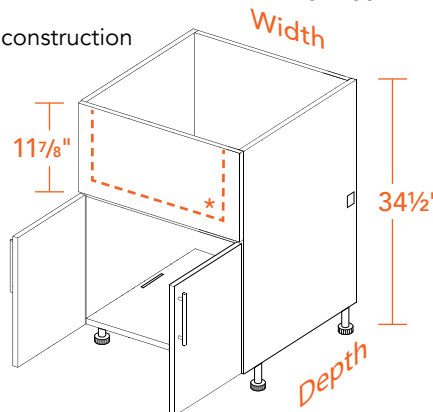


Item Number	Width	Depth	Height	Back
SBB15LIB	15	27	34.5	Full
SBB15RIB	15	27	34.5	Full
SBB18LIB	18	27	34.5	Full
SBB18RIB	18	27	34.5	Full
SBB21LIB	21	27	34.5	Full
SBB21RIB	21	27	34.5	Full

### Side Burner Double Door Base

- The face plate is modified in field to accept the respective heat liner used with the side burner
- 3/4" All-Weatherboard® composite material cabinet construction
- Fully integrated back panel
- Includes 4 'Sure Level' polymer legs, shipped loose for field installation and leveling
- Available in all door styles and finishes
- Separate toe kick with venting included
- Stainless steel handles are required and sold separately. See page 35 for details.

**Please Note:** All built in side burners require an insulated jacket. Please consult your side burner manufacturer for the appropriate model.



Item Number	Width	Depth	Height	Back
SBB24IB	24	27	34.5	Full
SBB30IB	30	27	34.5	Full

\*Grill and side burner cabinets are manufactured with two full upper face plates that will need to be field modified to accept the respective heat liner used with the gas grill or side burner.

The second matching panel will be shipped loose for ease of modification and installation. It can be attached with stainless steel screws or a suitable construction grade adhesive. Under no circumstance should a grill or side burner be installed without the appropriate heat liner specified by the manufacturer of the appliance.



# GRILL CABINETS

## Grill Double Door Base

- The face plate is modified in field to accept the respective heat liner used with the gas grill
- 3/4" All-Weatherboard® composite material cabinet construction
- Fully integrated back panel
- Includes 4 'Sure Level' polymer legs, shipped loose for field installation and leveling
- Available in all door styles and finishes
- Separate toe kick with vent included
- Stainless steel handles are required and sold separately. See page 35 for details.

34.5" High

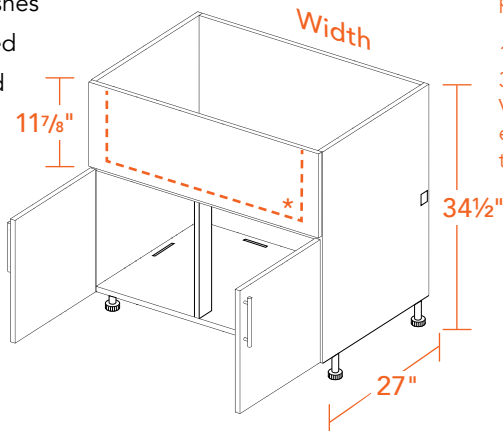
Item Number	Width	Depth	Height	Back
GB361B	36	27	34.5	Full
GB421B	42	27	34.5	Full

### Please Note

All built in grill heads require an insulated jacket. Please consult your grill manufacturer for the appropriate model.

4 ventilation outlets included to allow the release of possible heat or gas build-up.

1 in the toe kick panel  
3 in the floor of the cabinet  
Venting will still need to be cut on the job site at the end of a cabinet run. Venting will need to be cut into the decorative end panel.



## Grill Three Door Base

- The face plate is modified in field to accept the respective heat liner used with the gas grill
- 3/4" All-Weatherboard® composite material cabinet construction
- Fully integrated back panel
- Includes 4 'Sure Level' polymer legs, shipped loose for field installation and leveling
- Available in all door styles and finishes
- Separate toe kick with vent included
- Stainless steel handles are required and sold separately. See page 35 for details.

34.5" High

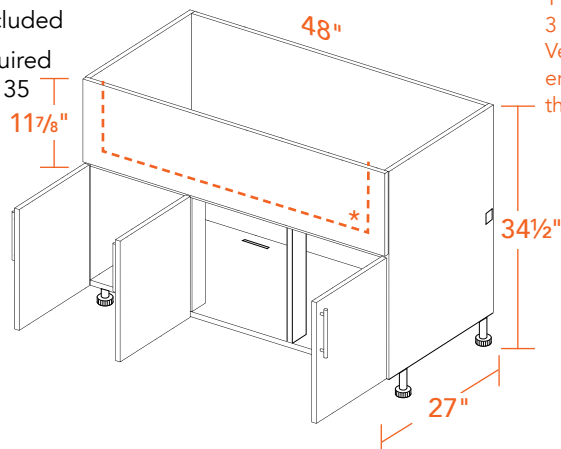
Item Number	Width	Depth	Height	Back
GB481B	48	27	34.5	Full

### Please Note

All built in grill heads require an insulated jacket. Please consult your grill manufacturer for the appropriate model.

4 ventilation outlets included to allow the release of possible heat or gas build-up.

1 in the toe kick panel  
3 in the floor of the cabinet  
Venting will still need to be cut on the job site at the end of a cabinet run. Venting will need to be cut into the decorative end panel.

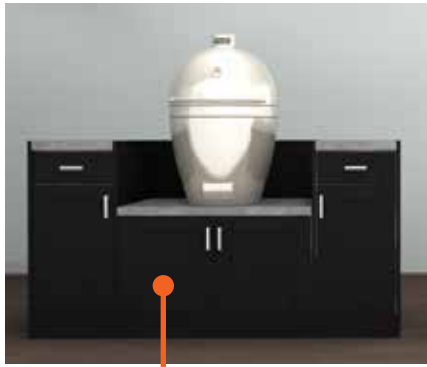


\*Grill cabinets are manufactured with two full upper face plates that will need to be field modified to accept the heat liner used with the gas grill. The second matching panel will be shipped loose for ease of modification and installation. It can be attached with stainless steel screws or a suitable construction grade adhesive. Under no circumstance should a grill be installed without the appropriate heat liner specified by the manufacturer of the appliance or warranty is invalid.

# DESIGN TIPS – KAMADO STYLE GRILLS

## Design Tips and Tricks: WeatherStrong Cabinetry – Kamado style grills

Kamado style grills come in various brands and sizes. With that in mind, here are a couple options to accommodate these grills. Please keep in mind that they are achieved through field modification and construction. Using a wall bridge cabinet (15" or 18" tall), some matching base ends and a pack of legs, you can achieve a solution for these types of grills.



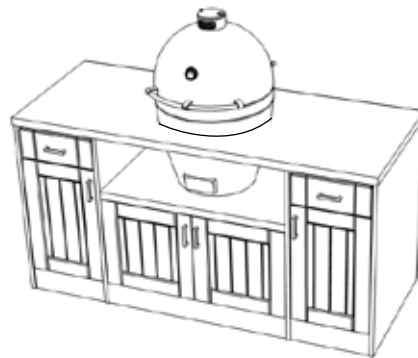
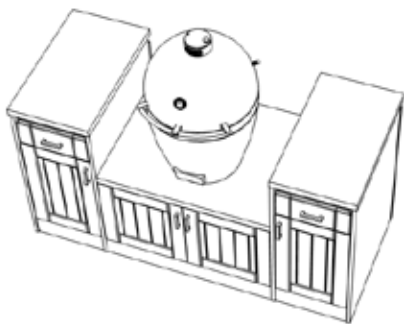
W361518IB pulled forward to meet 27" deep cabinets on each side. Depending on the height of your grill, you may need to use a 15" high.



W361518IB pulled forward to meet 24" deep cabinets on the right side. The panels on each side are cut to fit the height of the cabinets to create an open look.

Each of the above methods will require a support brace to be built, behind the wall cabinet, to support the rear of the countertop and the grill. This can be done using treated lumber secured to the wall, or to the floor. Be sure to reference the grill Manufacturer's recommendations for heat clearances around the grill.

If desired, the countertop can be installed around the grill (see below). However the homeowner or installer will need to review this with their countertop fabricator before the template



If there will be a wall, directly behind the Kamado grill, make sure to refer to the manufacturer's recommendations for clearances, to ensure that the lid can be opened.

# UTILITY CABINETS

Utility Cabinet Coding				
U 18 18 84 L				
U	18	18	84	L
Cabinet Code	Width	Depth	Height	Left Hinge

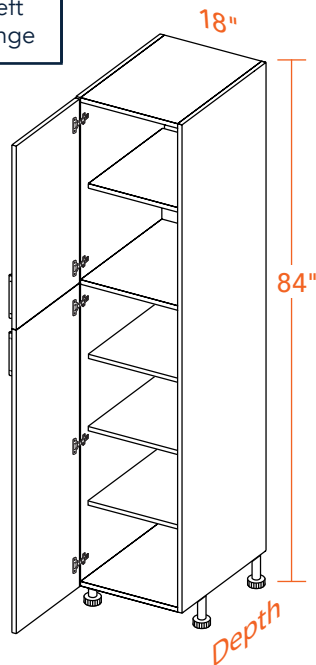
84" High

Item Number	Width	Depth	Height	Back
U181884L	18	18	84	Island
U181884R	18	18	84	Island
U182184L	18	21	84	Island
U182184R	18	21	84	Island
U1884L	18	24	84	Island
U1884R	18	24	84	Island

## Utility Cabinet

### SPECIFY RIGHT or LEFT HINGED

- 4 full depth adjustable shelves
- 3/4" All-Weatherboard® composite material cabinet construction
- Includes 4 'Sure Level' polymer legs, shipped loose for field installation and leveling
- Available in all door styles and finishes
- Stainless steel handles are required and sold separately. See page 35 for details.



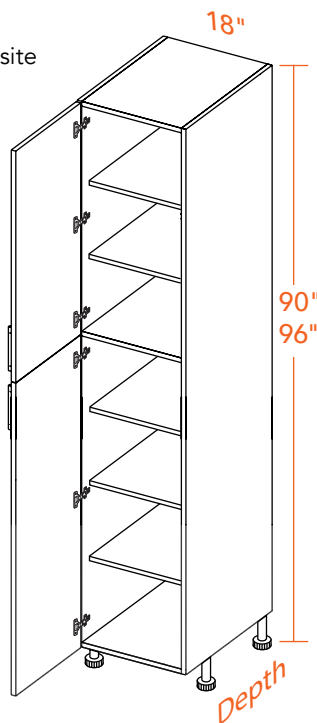
## Utility Cabinet

### SPECIFY RIGHT or LEFT HINGED

- 5 full depth adjustable shelves
- 3/4" All-Weatherboard® composite material cabinet construction
- Includes 4 'Sure Level' polymer legs, shipped loose for field installation and leveling
- Available in all door styles and finishes
- Stainless steel handles are required and sold separately. See page 35 for details.

90" High

Item Number	Width	Depth	Height	Back
U181890L	18	18	90	Island
U181890R	18	18	90	Island
U182190L	18	21	90	Island
U182190R	18	21	90	Island
U1890L	18	24	90	Island
U1890R	18	24	90	Island
U181896L	18	18	96	Island
U181896R	18	18	96	Island
U182196L	18	21	96	Island
U182196R	18	21	96	Island
U1896L	18	24	96	Island
U1896R	18	24	96	Island



96" High

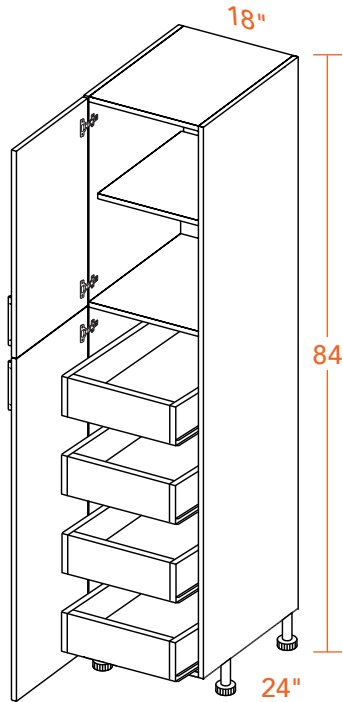


# UTILITY CABINETS

## Utility Cabinet With 4 Roll-Out Trays

**SPECIFY RIGHT or LEFT HINGED**

- 1 full depth adjustable shelves and 4 roll-out trays
- Roll-out trays feature soft close, side mounted, ball bearing stainless steel drawer glides
- Roll-out Tray is 3/4" All-Weatherboard® composite material construction, sides and bottom panel
- 3/4" All-Weatherboard® composite material cabinet construction
- Includes 4 'Sure Level' polymer legs, shipped loose for field installation and leveling
- Available in all door styles and finishes
- Stainless steel handles are required and sold separately. See page 35 for details.

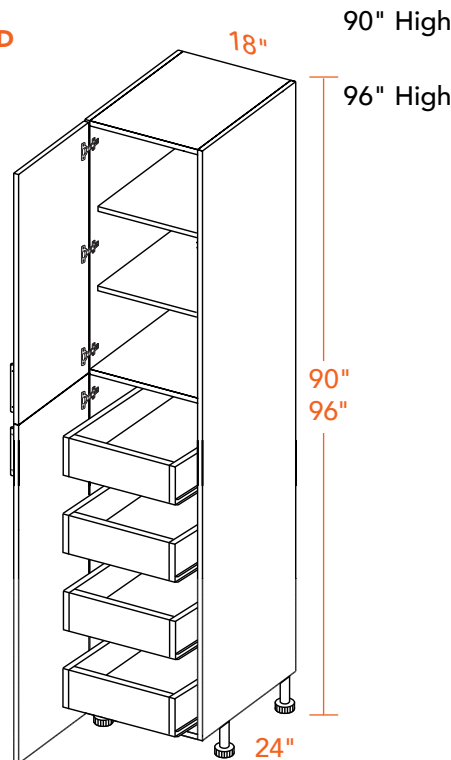


Item Number	Width	Depth	Height	Back
U1884L-4T	18	24	84	Island
U1884R-4T	18	24	84	Island

## Utility Cabinet With 4 Roll-Out Trays

**SPECIFY RIGHT or LEFT HINGED**

- 2 full depth adjustable shelves and 4 roll-out trays
- Roll-out trays feature soft close, side mounted, ball bearing stainless steel drawer glides
- Roll-out Tray is 3/4" All-Weatherboard® composite material construction, sides and bottom panel
- 3/4" All-Weatherboard® composite material cabinet construction
- Includes 4 'Sure Level' polymer legs, shipped loose for field installation and leveling
- Available in all door styles and finishes
- Stainless steel handles are required and sold separately. See page 35 for details.



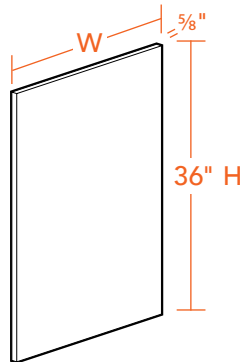
Item Number	Width	Depth	Height	Back
U1890L-4T	18	24	90	Island
U1890R-4T	18	24	90	Island
U1896L-4T	18	24	96	Island
U1896R-4T	18	24	96	Island

# MATCHING END PANELS AND DRAWER FRONTS

## Matching Base End Panel

- Panels designed to be flush with door. Field trim for desired size.
- Use to cover cabinet sides that are exposed to sunlight and other weather elements.

**BEP18**  
**BEP21**  
**BEP24**  
**BEP27**

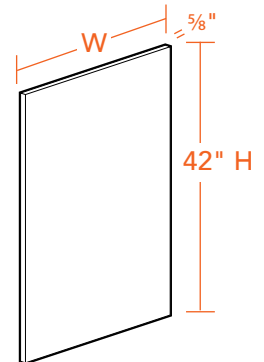


18 7/8" W, 21 7/8" W, 24 7/8" W, 27 7/8" W

## Matching Base Tall End Panel

- Panels designed to be flush with door. Field trim for desired size.
- Use to cover cabinet sides that are exposed to sunlight and other weather elements.

**BTP23**  
**BTP26**  
**BTP29**  
**BTP32**

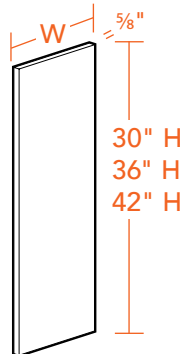


23 1/2" W, 26 1/2" W, 29 1/2" W, 32 1/2" W

## Matching Wall End Panels

- Panels designed to be flush with door. Field trim for desired size.
- Use to cover cabinet sides that are exposed to sunlight and other weather elements.

**WEP0930A**  
**WEP0936A**  
**WEP0942A**  
**WEP1230A**  
**WEP1236A**  
**WEP1242A**  
**WEP1530A**  
**WEP1536A**  
**WEP1542A**

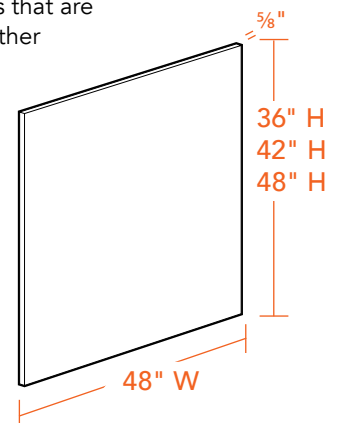


9 7/8" W, 12 7/8" W, 15 7/8" W

## Island Panel

- Panels designed to be flush with door. Field trim for desired size.
- Use to cover cabinet backs that are exposed to sunlight and other weather elements.

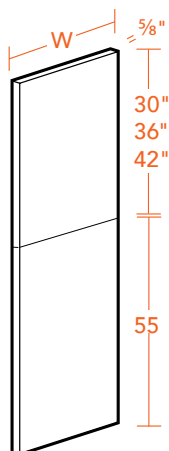
**IPL4836**  
**IPL4842**  
**IPL4848**



## Matching Tall End Panels

- Panels designed to be flush with door. Field trim for desired size.
- Two separate panels included.
- Use to cover cabinet sides that are exposed to sunlight and other weather elements.

**TEP1885**  
**TEP1891**  
**TEP1897**  
**TEP2185**  
**TEP2191**  
**TEP2197**  
**TEP2485**  
**TEP2491**  
**TEP2497**



18 7/8", 21 7/8", 24 7/8"

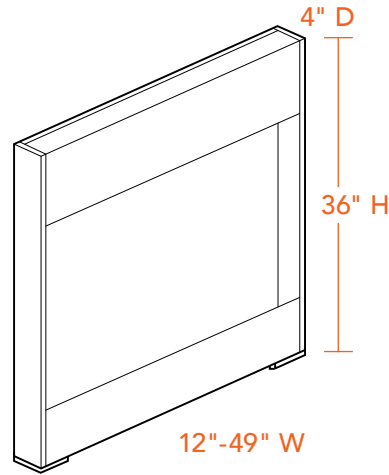
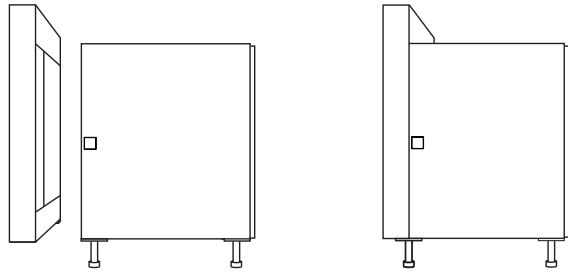
## Replacement Grill Drawer Front

Item Number	Description
RPGDF1512	Replacement Grill Drawer Front 14.9X11.9
RPGDF1812	Replacement Grill Drawer Front 17.9X11.9
RPGDF2112	Replacement Grill Drawer Front 20.9X11.9
RPGDF2412	Replacement Grill Drawer Front 23.9X11.9
RPGDF3012	Replacement Grill Drawer Front 29.9X11.9
RPGDF3612	Replacement Grill Drawer Front 35.9X11.9
RPGDF4212	Replacement Grill Drawer Front 41.9X11.9
RPGDF4812	Replacement Grill Drawer Front 47.9X11.9

# ACCESSORIES

## Bar Riser Kits

- 3/4" All-Weatherboard® composite material cabinet construction
- 4" deep by 36" high
- Requires BTP for field installation to match the cabinet doors



- |              |              |
|--------------|--------------|
| <b>BRK12</b> | <b>BRK36</b> |
| <b>BRK15</b> | <b>BRK39</b> |
| <b>BRK18</b> | <b>BRK42</b> |
| <b>BRK21</b> | <b>BRK45</b> |
| <b>BRK24</b> | <b>BRK46</b> |
| <b>BRK27</b> | <b>BRK47</b> |
| <b>BRK30</b> | <b>BRK48</b> |
| <b>BRK33</b> | <b>BRK49</b> |

## 3" Wide Fillers

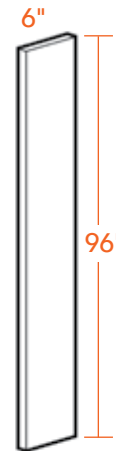
- Available in all finishes



- 30" Tall**  
**FS330A**
- 36" Tall**  
**FS336A**
- 42" Tall**  
**FS342A**
- 84" Tall**  
**FS384A**
- 90" Tall**  
**FS390A**
- 96" Tall**  
**FS396A**

## 6" Wide Filler/Toe Kick

- Available in all finishes

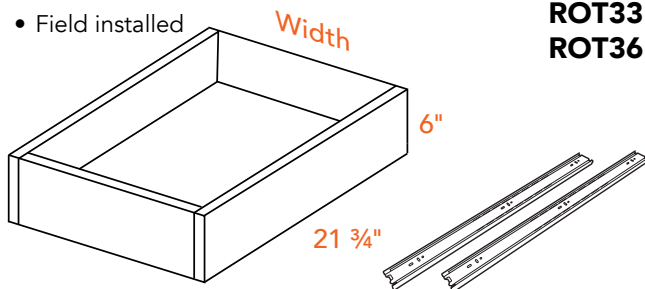


**PLEASE NOTE**  
6"X96" FILLER CAN ALSO BE MODIFIED ON SITE TO BE USED AS A MATCHING TOE KICK ONCE CABINETS ARE INSTALLED ON LEGS

- 30" Tall**  
**FS630A**
- 36" Tall**  
**FS636A**
- 42" Tall**  
**FS642A**
- 96" Tall**  
**FS696A**

## Roll-Out Tray Kits

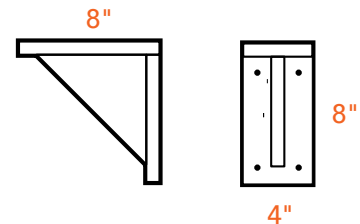
- 3/4" All-Weatherboard® composite material construction, 4-sides and bottom panel
- Soft close, side mounted, ball bearing stainless steel runners and screws
- ROT12 fits 12" wide cabinet, etc.
- Field installed



- ROT12**
- ROT15**
- ROT18**
- ROT21**
- ROT24**
- ROT27**
- ROT30**
- ROT33**
- ROT36**

## Corbel/Countertop Support

- Available in all finishes
- Requires stainless steel installation screws, sold separately



**SIDE VIEW**      **FRONT VIEW**

**CBL8**

# ACCESSORIES

## 1 ¼" Stainless Steel Cabinet Joining Screws (30 Pack)

**30 Pack**  
**WSSS1.25-SCREW KIT**



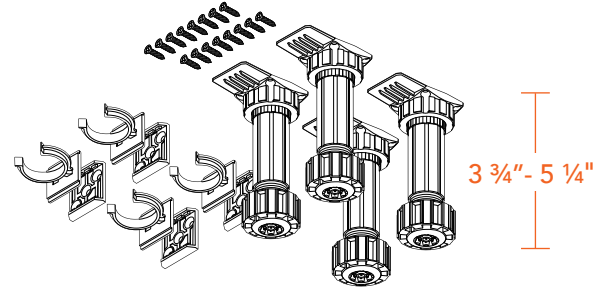
- Square Head Drill Bit included
- Used for joining cabinets together and for installing Matching Panels and Corbels
- Required for installation

CABINET TYPE	QTY.	LOCATION
Bases	2	Front Edge
Island Base	4	Front & Back Edges
Bar Base	4	Front & Back Edges
Walls up to 30" H	2	Front Edge
Walls 36 & 42" H	3	Front Edge

## Sure Level Legs (4 Pack)

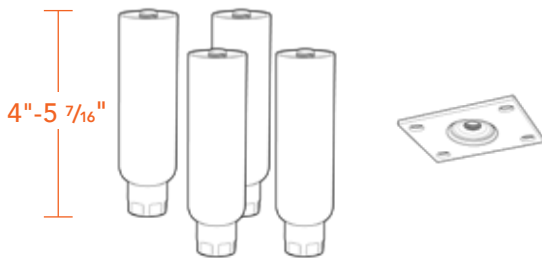
**WS-PLASTIC-LEGS**

- Includes 4 adjustable legs, 4 mounting plates, 4 toe kick clips and stainless steel screws
- Height adjustment from 3 ¾" to 5 ¼"
- Each leg rated for 330lb static load



## Stainless Steel Legs STAINLESS-LEGS-4PK (4 Pack)

- Includes 4 stainless steel legs, 4 mounting plates, and stainless steel screws
- Height adjustment from 4" to 5 7/16"
- Each leg rated for 2,000lb static load



# MOST POPULAR

## Full Height Single Door With Propane Pull-out



Featured on pages 15 and 30

Propane Tank Not Included

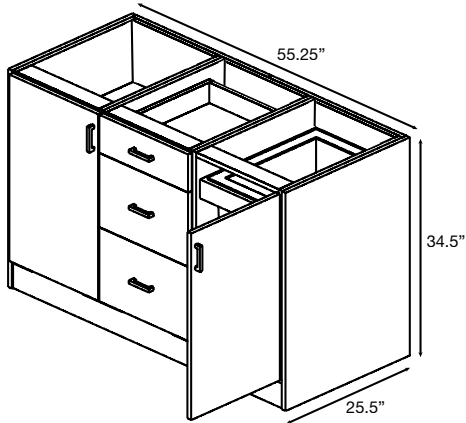
## Full Height Single Door With Trashcan Pull-Out



Featured on pages 16 and 30

# ENSEMBLES

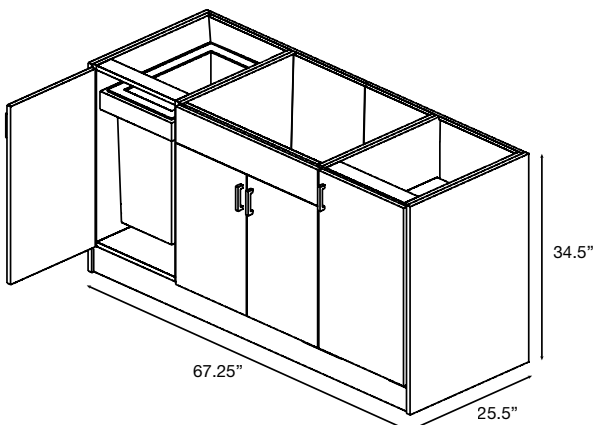
## WSE54WC Freestanding Grill Island V2 with Trash



Qty	Item Number	Description
2	BEP24	24-7/8" x 36" Base End Panel
2	BEP27	27-7/8" x 36" Base End Panel (for back)
1	B18FHLIB	18" x 24" Island Back Base Full Hgt
1	B3D18IB	18" x 24" 3-Drawer Island Back Base
1	B18FHRIB-TC	18" x 24" Island Back Base Trash Pullout
5	DH-21021	7-9/32" Stainless Steel Euro Bar Pull
1	FS696A	6" x 96" Toe Kick/Filler
1	WSSS1.25-Screw Kit	1-1/4" Stainless Steel Screws - 30 Pk



## WSE66SB 66" Sink Island with Trash

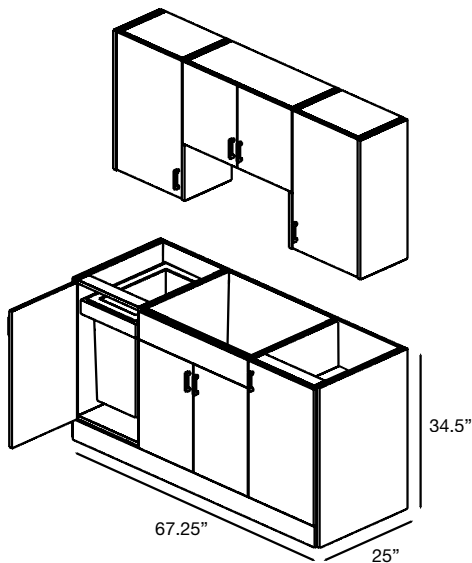


Qty	Item Number	Description
2	BEP24	24-7/8" x 36" Base End Panel
2	IPL4836	48" x 36" Island Panel (for back)
1	B18FHLIB-TC	18" x 24" Island Back Base Trash Pullout
1	SB30IB	30" x 24" Island Back Sink Base
1	B18FHRIB	18" x 24" Island Back Base Full Hgt
4	DH-21021	7-9/32" Stainless Steel Euro Bar Pull
1	FS696A	6" x 96" Toe Kick/Filler
1	WSSS1.25-Screw Kit	1-1/4" Stainless Steel Screws - 30 Pk



# ENSEMBLES

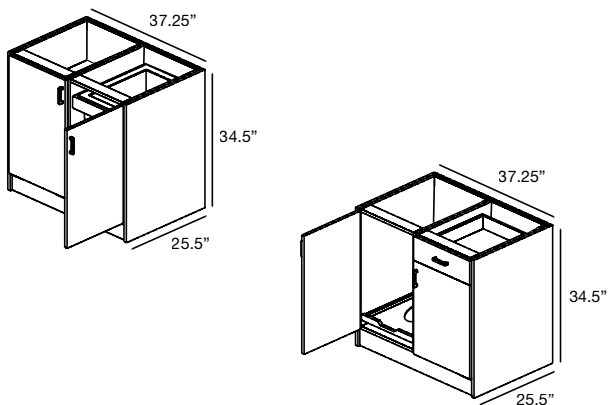
## WSE66WMK 66" Unit with Sink Cab, Trash, & Wall Cabs



Qty	Item Number	Description
2	BEP24	24-7/8" x 36" Base End Panel
1	B18FHLIB-TC	18" x 24" Island Back Base Trash Pullout
1	SB30IB	30" x 24" Island Back Sink Base
1	B18FHRIB	18" x 24" Island Back Base Full Hgt
4	WEP1230A	12-7/8" x 30" Wall End Panel
1	W1830LIB	18" x 30" Island Back Wall
1	W3018IB	30" x 18" Island Back Wall
1	W1830RIB	18" x 30" Island Back Wall
8	DH-21021	7-9/32" Stainless Steel Euro Bar Pull
1	FS696A	6" x 96" Toe Kick/Filler
1	WSSS1.25-Screw Kit	1-1/4" Stainless Steel Screws - 30 Pk



## WSE72WC Freestanding Grill Island V1 with Trash



Qty	Item Number	Description
4	BEP24	24-7/8" x 36" Base End Panel
2	IPL4836	48" x 36" Island Panel (for backs)
1	B18FHLIB	18" x 24" Island Back Base Full Hgt
1	B18FHRIB-TC	18" x 24" Island Back Base Trash Pullout
1	B18FHLIB-PP	18" x 24" Island Back Base Propane Pullout
1	B18FHRIB	18" x 24" Island Back Base Full Hgt
4	DH-21021	7-9/32" Stainless Steel Euro Bar Pull
1	FS696A	6" x 96" Toe Kick/Filler
1	WSSS1.25-Screw Kit	1-1/4" Stainless Steel Screws - 30 Pk

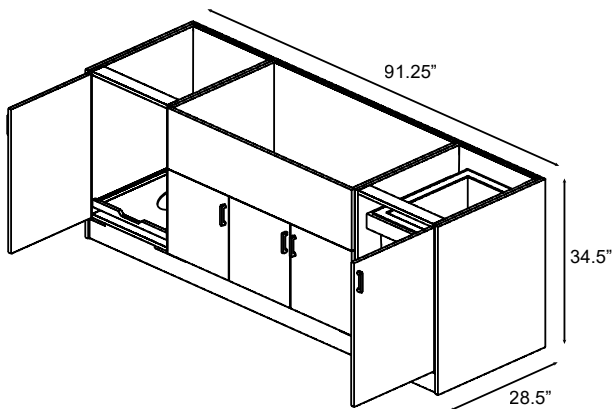




# ENSEMBLES

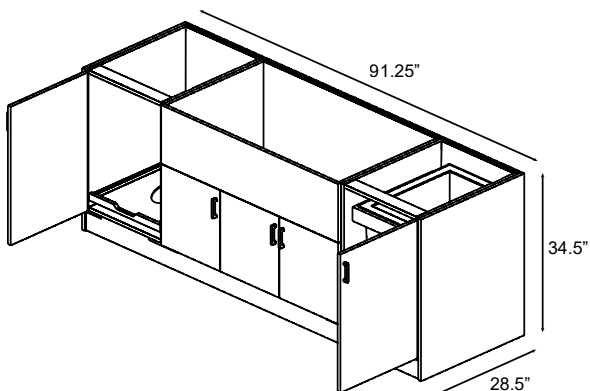
## WSE90I 90" Island with Grill Cab & Accessory Cabs

Qty	Item Number	Description
1	B2127FHLIB-PP	21" x 27" Island Back Base Propane Pullout
1	GB48IB	48" x 27" Island Back Grill Base
1	B2127FHRIB-TC	21" x 27" Island Back Base Trash Pullout
2	BEP27	27-7/8" x 36" Base End Panel
2	IPL4836	48" x 36" Island Panel (for back)
5	DH-21021	7-9/32" Stainless Steel Euro Bar Pull
1	FS696A	6" x 96" Toe Kick/Filler
1	WSSS1.25-Screw Kit	1-1/4" Stainless Steel Screws - 30 Pk



## WSE90WM 90" with Grill Cab & Accessory Cabs

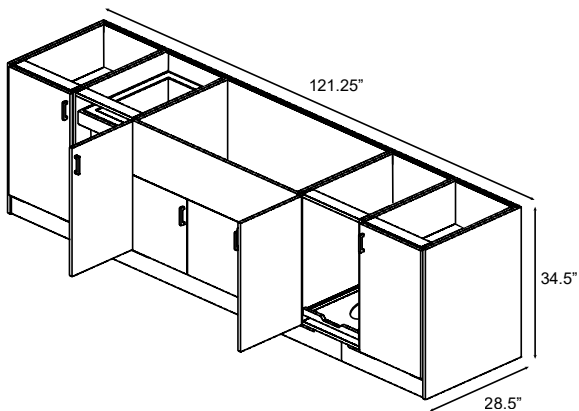
Qty	Item Number	Description
1	B2127FHLIB-PP	21" x 27" Island Back Base Propane Pullout
1	GB48IB	48" x 27" Island Back Grill Base
1	B2127FHRIB-TC	21" x 27" Island Back Base Trash Pullout
2	BEP27	27-7/8" x 36" Base End Panel
5	DH-21021	7-9/32" Stainless Steel Euro Bar Pull
1	FS696A	6" x 96" Toe Kick/Filler
1	WSSS1.25-Screw Kit	1-1/4" Stainless Steel Screws - 30 Pk



# ENSEMBLES

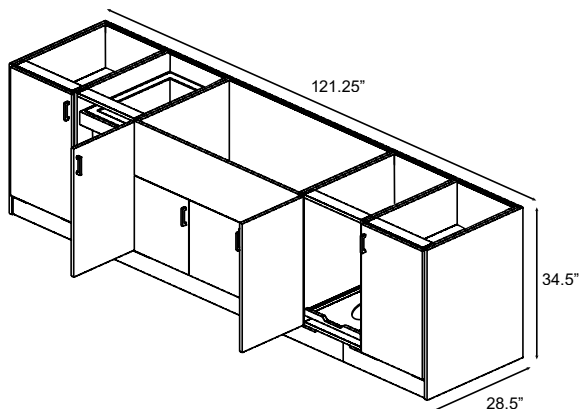
## WSE120I 120" Island with Grill Cab & Accessory Cabs

Qty	Item Number	Description
2	BEP27	24-7/8" x 36" Base End Panel
3	IPL4836	48" x 36" Island Panel (for back)
1	B1827FHLIB	18" x 27" Island Back Base Full Hgt
1	B1827FHRIB-TC	18" x 27" Island Back Base Trash Pullout
1	GB48IB	48" x 27" Island Back Grill Base
1	B1827FHLIB-PP	18" x 27" Island Back Base Propane Pullout
1	B1827FHRIB	18" x 27" Island Back Base Full Hgt
7	DH-21021	7-9/32" Stainless Steel Euro Bar Pull
2	FS696A	6" x 96" Toe Kick/Filler
1	WSSS1.25-Screw Kit	1-1/4" Stainless Steel Screws - 30 Pk



## WSE120WM 120" with Grill Cab & Accessory Cabs

Qty	Item Number	Description
2	BEP27	24-7/8" x 36" Base End Panel
1	B1827FHLIB	18" x 27" Island Back Base Full Hgt
1	B1827FHRIB-TC	18" x 27" Island Back Base Trash Pullout
1	GB48IB	48" x 27" Island Back Grill Base
1	B1827FHLIB-PP	18" x 27" Island Back Base Propane Pullout
1	B1827FHRIB	18" x 27" Island Back Base Full Hgt
7	DH-21021	7-9/32" Stainless Steel Euro Bar Pull
2	FS696A	6" x 96" Toe Kick/Filler
1	WSSS1.25-Screw Kit	1-1/4" Stainless Steel Screws - 30 Pk



# DECORATIVE HARDWARE

## Contoured Polished C-Pull

- Stainless steel handle with screws
- 4 1/4" overall length
- 3 15/16" center to center

**DH-00171**



## Euro Bar Pull

- Stainless steel handle with screws
- 7 9/32" overall length
- 5 1/32" center to center

**DH-21021**



## Wide Brushed C-Pull

- Stainless steel handle with screws
- 4 1/8" overall length
- 3 3/4" center to center

**DH-45170**



## Professional Bar Pull

- Stainless steel handle with screws
- 8 3/4" overall length
- 7 1/2" center to center

**DH-92170**

Please make sure to check the width of your drawer front. The handle fits drawer fronts of 18" wide or more.  
\*\*Fits all Miami drawer fronts\*\*





# Outdoor Cabinetry

## Limited Warranty

Ideal Cabinetry® (warrantor) warrants to the original consumer purchaser, that the WeatherStrong® branded outdoor cabinets will be free from defects in material and workmanship under normal residential use. The warranty for the Designer Series is for your lifetime as long as you own the cabinetry, and is not transferable. The warranty for the Standard Series is for a period of five years as long as you own the cabinetry and is not transferable. Both warranties are expressly limited to the cabinet carcass, doors, drawers, and shelves. Proof of purchase is required. Items not listed in this warranty are not covered by this warranty. No other warranty express or implied, is applicable to this product. Separate components not produced by Ideal Cabinetry such as countertops, grills, appliances, stainless steel handles, hinges and drawer glides are not covered by this warranty.

This warranty does not cover damage resulting from normal wear, natural aging, accident, misuse, excessive heat, or lack of reasonable and necessary maintenance and service; nor does it warranty the improper installation or unauthorized repair, alteration, modification or defects in the product when the product is installed. For Designer Series cabinetry, excessive heat is a surface temp  $>265^{\circ}$ , for Standard Series cabinets, excessive heat is a surface temp  $>140^{\circ}$ . This warranty is limited to the repair or replacement of the defective part at the sole discretion of warrantor.

Although Ideal Cabinetry uses the best available materials and does extensive testing for finish endurance, some fading may occur and is considered normal. For coastal locations, some deterioration is considered normal wear in this environment.

It is our option to provide repair parts or replace with functionally equivalent product. Return of product may be required for replacements. Such repair parts or replacement shall be at warrantor's expense, but customer shall bear all other expenses, including, but not limited to, cost of removal, transportation, re-installation, communication and any special service required by customer such as, overtime labor, etc. Ideal Cabinetry shall not be liable for the loss of use of the product, inconvenience, loss or any other damages, direct or consequential, arising out of the use of or inability to use the product. Due to the nature of the product, replacement product may vary from original purchased product.

In the event of a WeatherStrong brand warranted product performance issue, submit request including proof of purchase documentation, specific description of warranty issue (include photos) in writing to:

Warranty Department  
210 Century Boulevard  
Bartow, FL 33830

Ideal Cabinetry reserves the right to alter design, specifications and material without obligation to make changes to product previously manufactured.

EXCEPT TO THE EXTENT PROVIDED BY APPLICABLE LAW, ALL IMPLIED WARRANTIES, INCLUDING WARRANTIES OF MERCHANTABILITY AND FITNESS FOR A PARTICULAR PURPOSE, ARE LIMITED IN DURATION TO THE SHORTER OF THE PERIOD PROVIDED BY LAW OR THE PERIOD OF THIS WARRANTY, AND UNDER NO CIRCUMSTANCE SHALL IDEAL CABINETRY BE LIABLE FOR INCIDENTAL OR CONSEQUENTIAL DAMAGES SUSTAINED IN CONNECTION WITH THE PRODUCT. THE EXPRESS WARRANTY ABOVE CONSTITUTES THE ENTIRE WARRANTY AND IS IN LIEU OF ALL OTHERS EXPRESSED OR IMPLIED.

Some states do not allow the exclusion or limitation of incidental or consequential damages, or limitation on how long an implied warranty lasts, therefore, the above limitations or exclusions may not apply to you. This warranty gives you specific legal rights, and you may also have other rights, which vary from state to state.

### INDEMNITY

Ideal Cabinetry shall not be liable for either its failure to perform or its delays in performance hereunder arising out of or resulting from causes beyond its control, including but not limited to, acts of God, acts of Representation, acts of Government, wars, fires, floods, epidemics, quarantine, strike, freight embargoes, weather, or default by suppliers due to any such causes.





**weatherstrong**<sup>®</sup>  
Outdoor Cabinetry

---

[weatherstrong.com](http://weatherstrong.com)

888-745-0004



**LIFETIME  
LIMITED  
WARRANTY**

