












Assembly Instructions

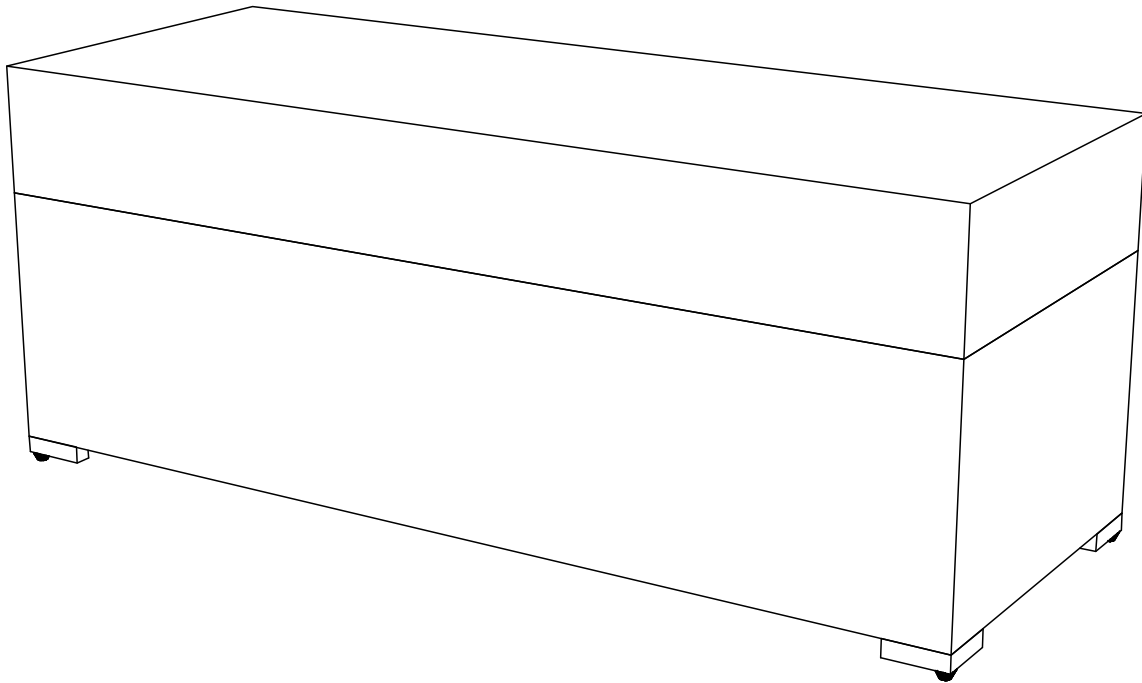
Caution: You must read these Assembly Instructions before you proceed

Care & Maintenance

-  Not for commercial use. For residential use only.
-  Prolonged exposure to rain may cause rusting which can stain floors.
-  Do not put hot items directly on furniture surface.
-  Do not clean furniture with harsh cleansers or polish
-  To obtain the longest lifespan of your outdoor products, minimizing exposure to direct sunlight is recommended.
-  Children should not climb or jump on the furniture.
-  Do not write on furniture without a padded barrier to protect the surface.
-  To obtain the longest lifespan of your outdoor products, avoid extended and lengthy exposure to rain, snow, and direct sunshine. Whenever possible cover the product and /or place under patio or awnings.
-  Stains may be removed with mild soap solution and damp cloth.
-  Keep away from sources of ignition.
-  Dust and pick-up spills using a clean, non-colored, lint-free cloth.

Please look into the stool panel for hardware packs

Rectangular Stool

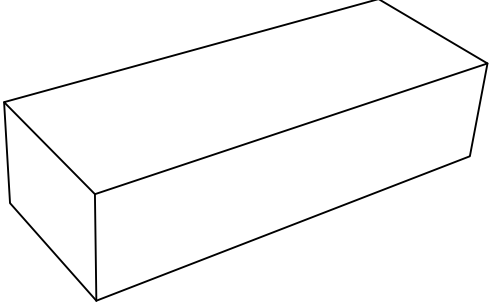
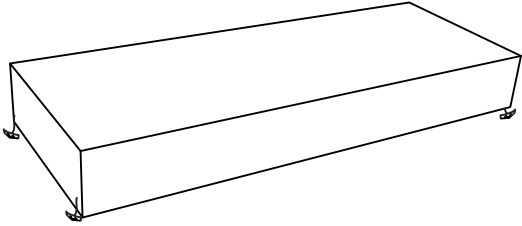


Caution: This Stool is NOT a TOY




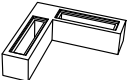
Keep your child/children at bay during the assembly process.

Whenever lifting or moving the stool and to prevent damage to the stool, two adults may be needed to execute these actions.

Part List

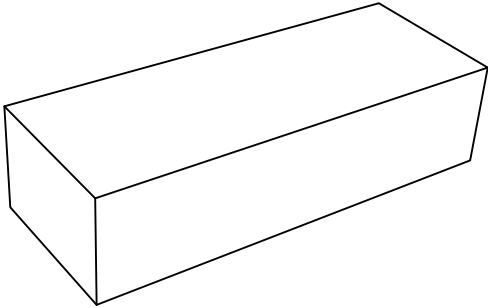
Label	Picture	Description	Qty
A		Stool	1
B		Cushion	1

Hardware

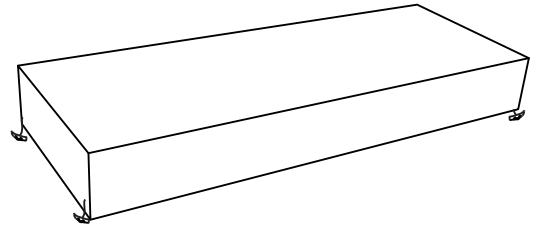
No.	Picture	Description	Qty
①		Bolt M6x30	9
②		Allen Wrench	1
③		Adjustable Feet	5
④		Plastic foot	4

Assembly Preparation




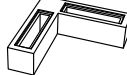
Before Beginning Assembly:



A x1



B x1

1		9
2		1
3		5
4		4



- Read instructions, cover to cover-



- Have 2 adults on hand for assembly-



- Do not assemble on flooring or carpet-



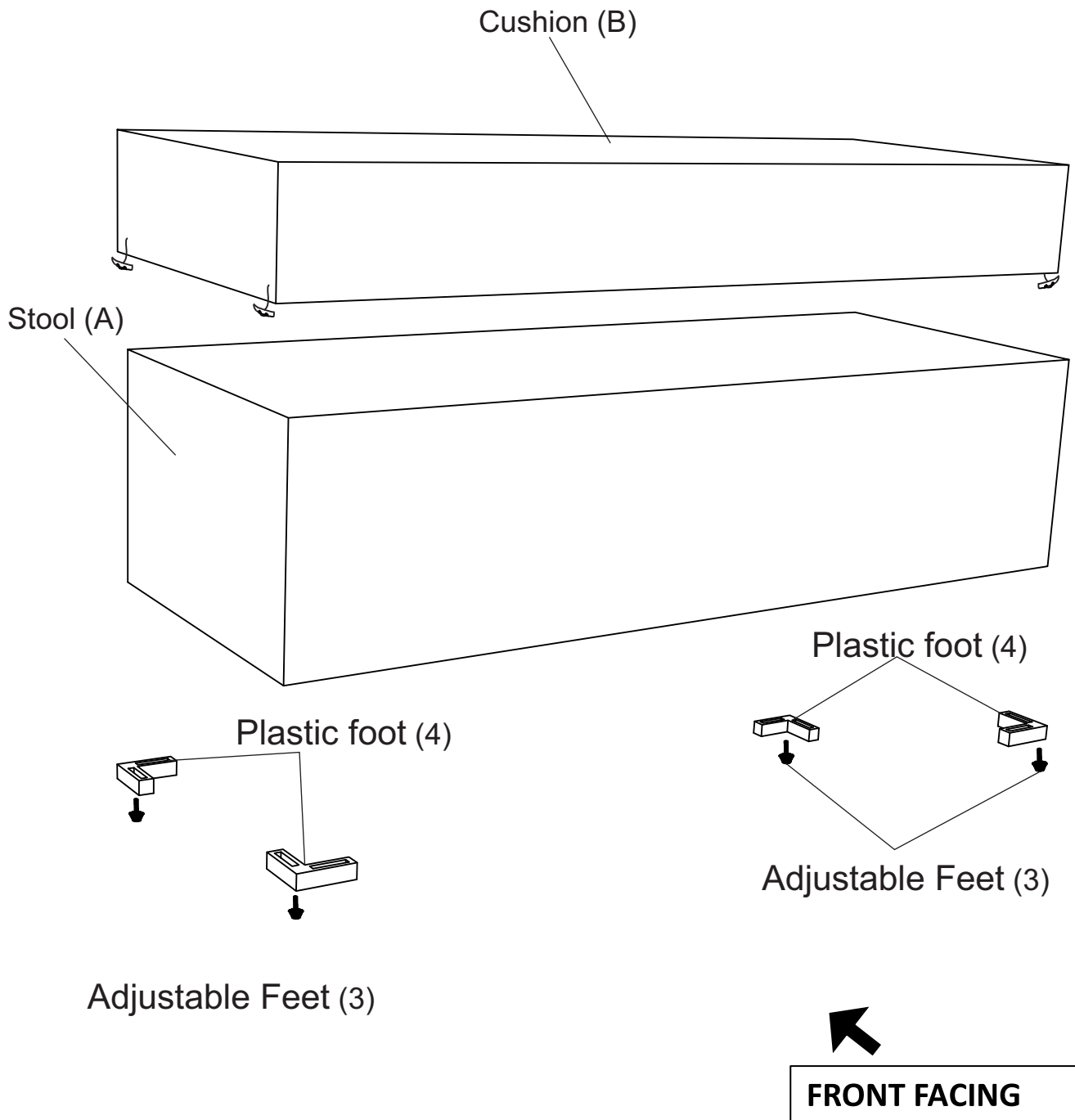
- Assemble on a clean non-marring surface (packing foam)-



- Save all packaging until finished-

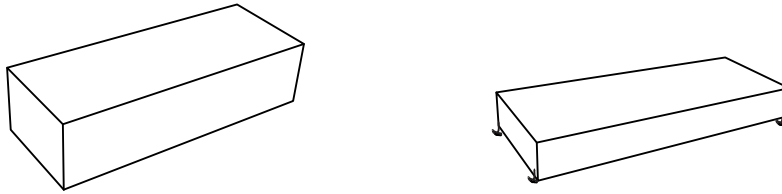
Assembly Steps

Overview



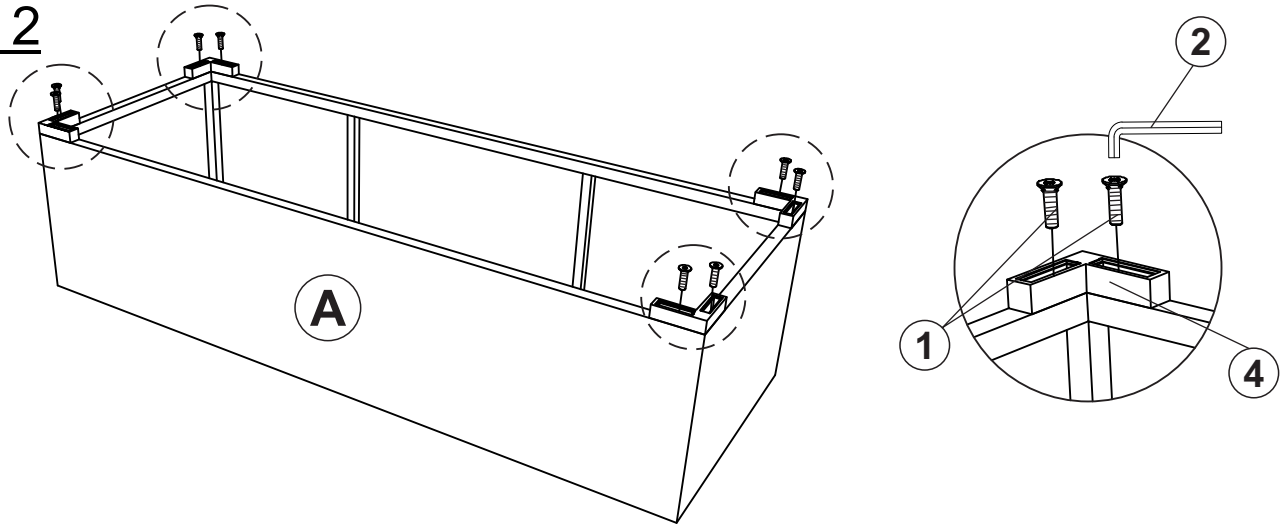
This stool has multiple parts and may require up to 30 minutes to assemble. To give you an overview of the stool parts, the above picture is to help you put the various parts into perspective. Please read through the instructions below to familiarise yourself with the parts and steps before assembly.

Step 1



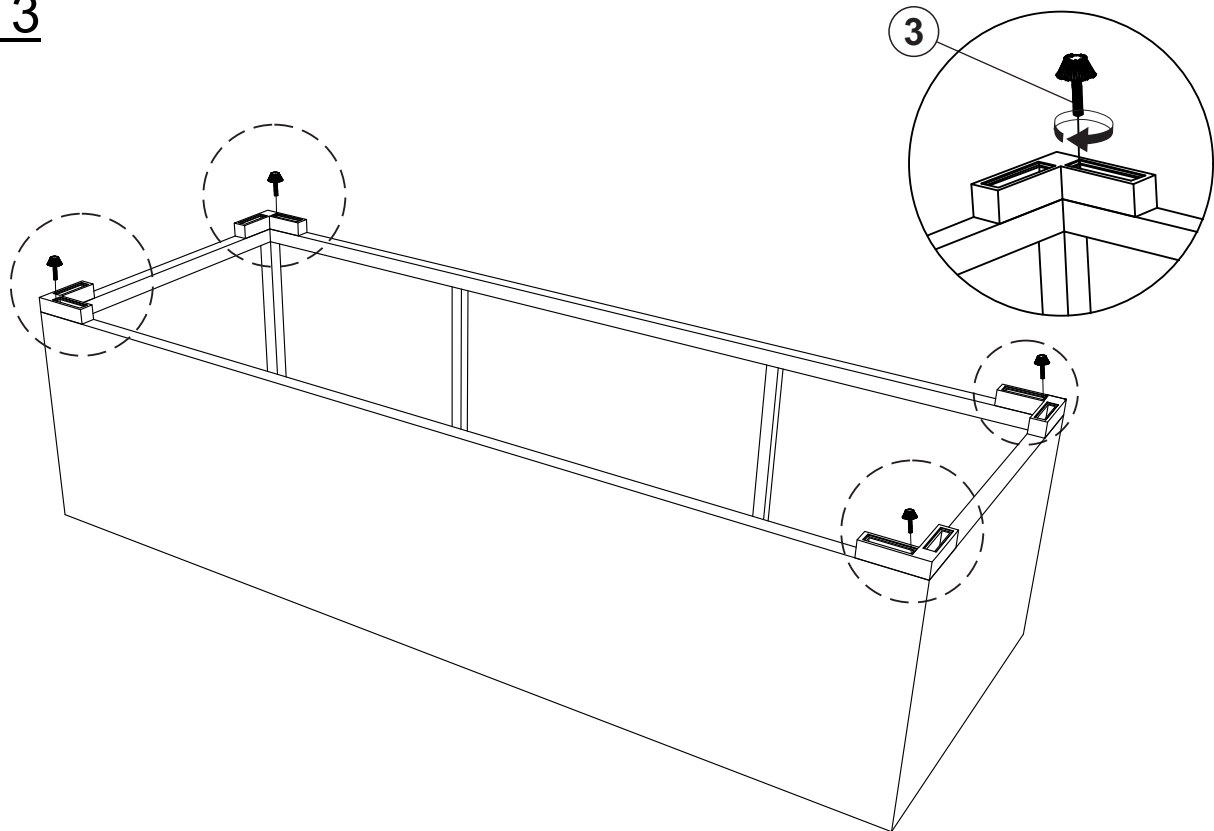
Unpack and place all parts on a clean, non-marring surface.

Step 2



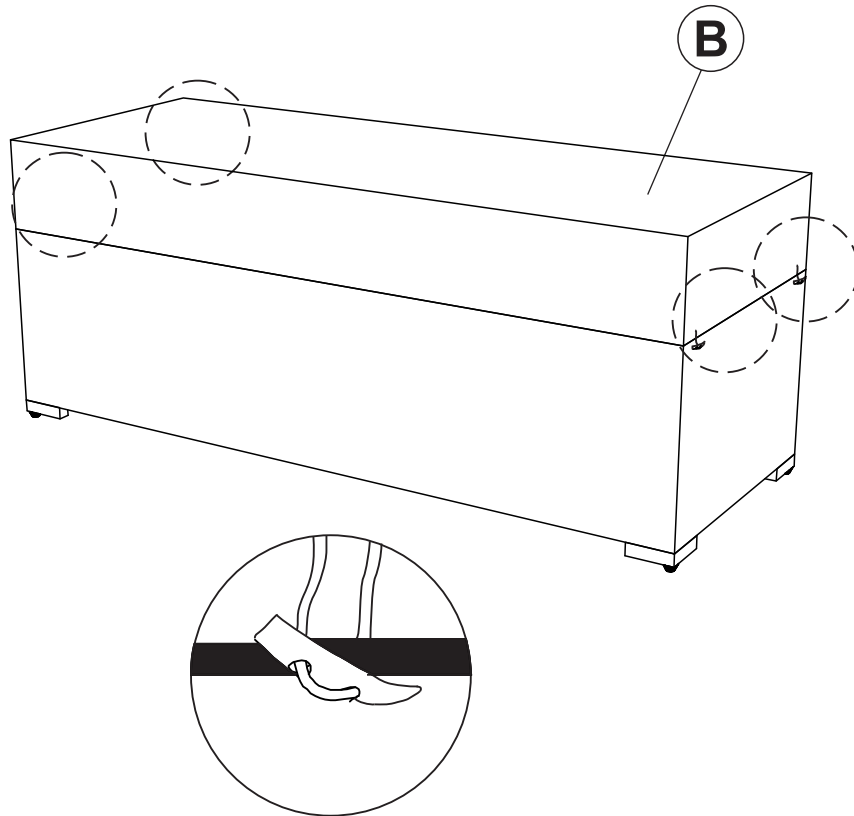
2. Connect Plastic foot (4) to Stool (A) using Bolt M6x30 (1) And Allen wrench (2). TIGHTEN ALL BOLTS 100%

Step 3



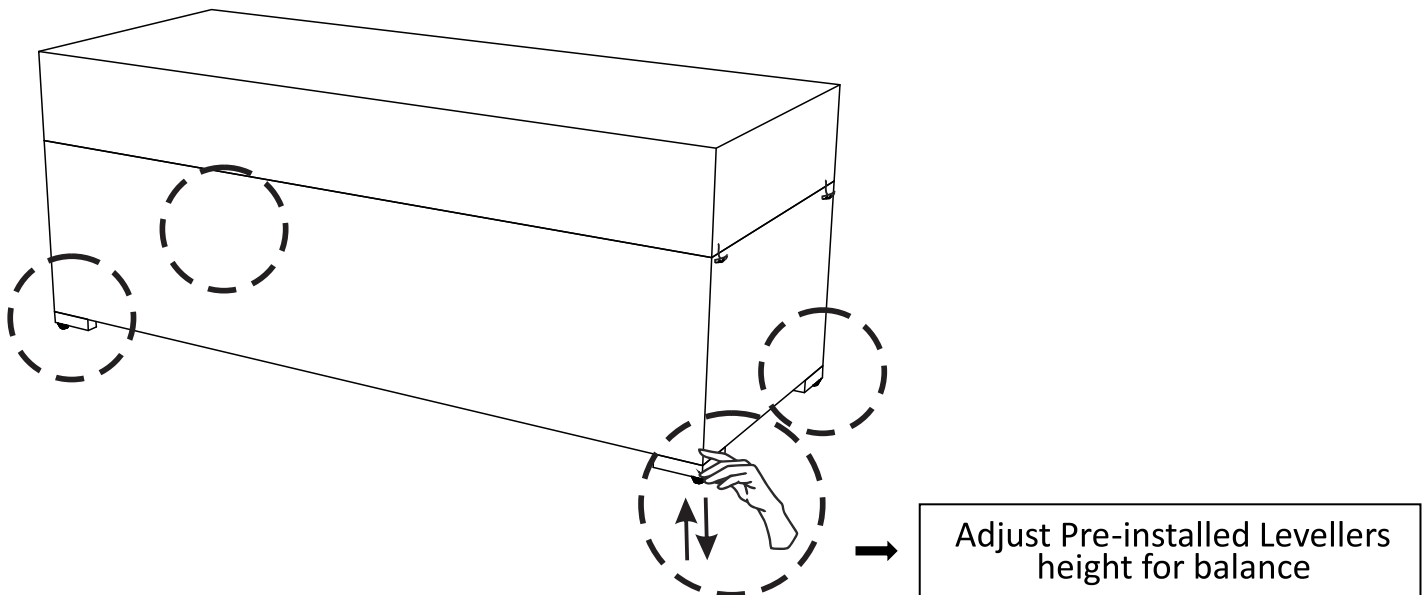
3. Install the Adjustable Feet (3) into the plastic foot (4)

Step 4



4. Place the cushion (B) on the stool, Put the knots into the rattans to keep the cushion tight

Step 5



inspect the stool and make sure all parts are adequately connected. Then EXERT pressure, floorwards onto the stool with both hand This pressure will help align all parts at all joint.

Adjust the Levellers until the stool is level with the ground.

To adjust the Levellers, get assistance from an adult partner to lift/lean and hold the stool while you are working