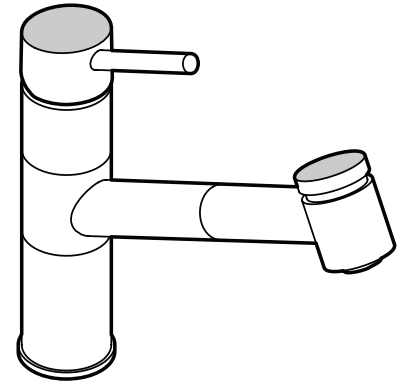


VIGO Branson Pull-out Spray Kitchen Faucet VG02021



PRODUCT FEATURES

- 180° swivel spout
- 1.8 gpm flow rate
- Single-hole installation
- Designed in NYC
- Water pressure tested for industry standard
- Dual-action, pull-out sprayer delivers aerated flow or powerful spray
- Extendable pull-out sprayer up to 30 in. with 180° swivel spout
- Spray face resists mineral buildup and easy to clean
- All mounting hardware and hot/cold waterlines included
- EZInstall™ makes installing the single-hole kitchen faucet easy
- EternalSeal™ is an expertly tested ceramic cartridge that prevents leaks and dripping
- Solid brass construction makes this faucet durable and easy-to-clean
- Smart handle lever design allows for tighter space installation

CODES / STANDARDS



- CEC (Title 20) flow rate compliant (A 1.8GPM flow rate stays within the CEC (Title 20) compliancy.)
- cUPC, NSF-61, NSF-372, CALGreen and AB1953 certified by IAPMO
- ADA compliant
- All VIGO Kitchen Faucets have a Limited Lifetime Warranty*

PACKING LIST

- Faucet Assembly
- Sprayer
- Allen Key
- Two Metal Braided
- Counterweight
- Plastic Holder

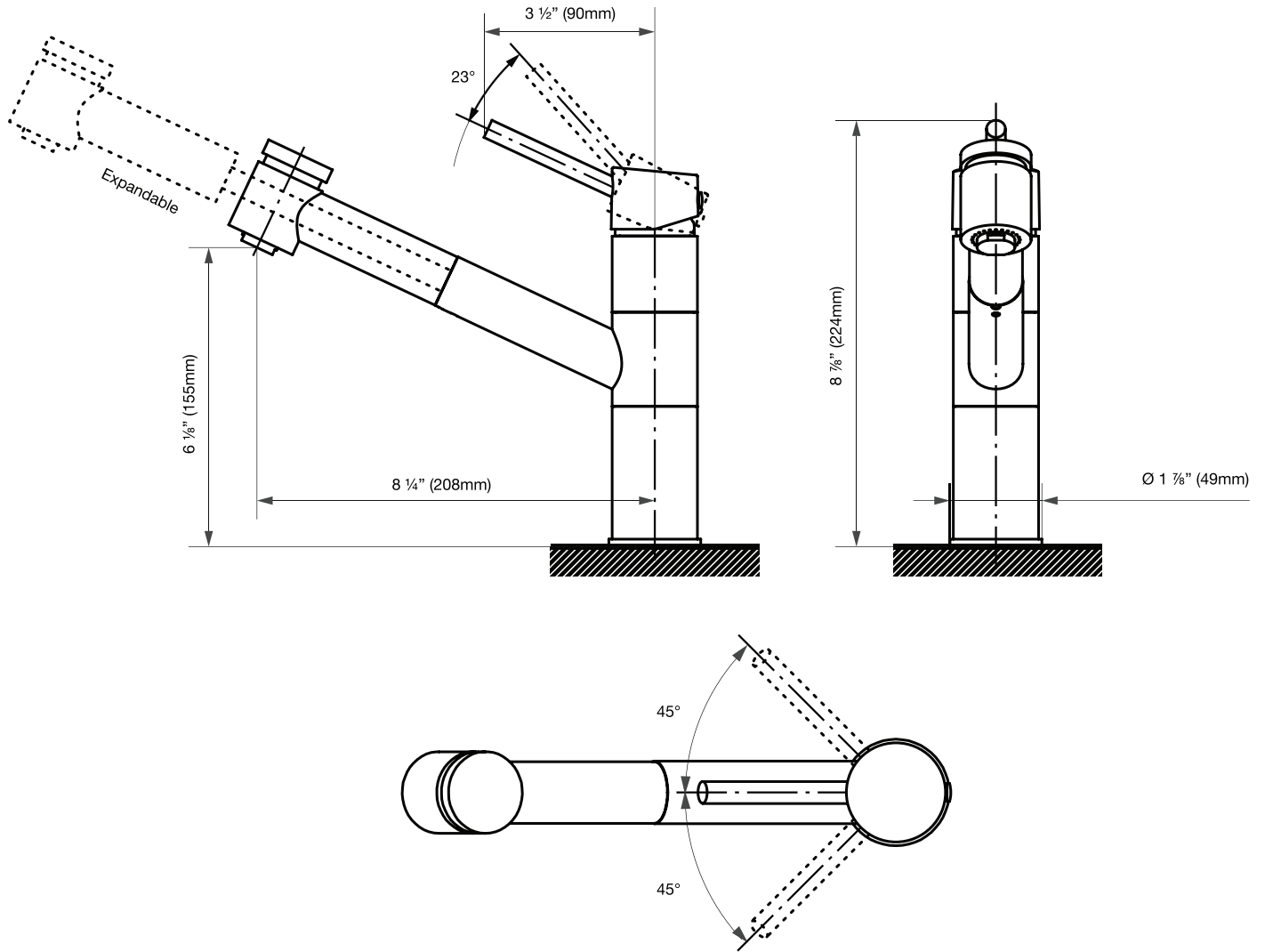
MATERIAL

- Housing material: Brass
- Valve material: Ceramic
- VIGO 7-layer coated finish resists corrosion and tarnish, maintaining a pristine look for years to come.

* See website for detailed warranty information.

**Color swatches intended for reference only.

VIGO Branson Pull-out Spray Kitchen Faucet
VG02021



DIMENSIONS			
Faucet height	8 7/8" (224mm)	Pressure	60 psi
Spout reach	8 1/4" (208mm)	Spout Type	Pull-out
Hose length	19 3/4" (500mm)	Spray mode	Spray & Stream
Spout swivel	180°	Water supply connection	Standard US plumbing 3/8" connections
Flow rate	1.8 gal/min	Installation compatibility	1-, 2-, 3- and 4-hole sink
Valve body	Brass		

NOTE

Install this product according to the installation instructions.

VIGO reserves the right to make revisions without prior notice.

For the most updated specifications, please go to:

www.vigoindustries.com

or email us at:


support@vigoindustries.com


QUESTIONS?

For installation help, missing or replacement parts, please contact our product specialist for consultation.

☎ +1 866-591-7792 (Option 2) (9:30 am - 5:30pm EST) ✉ techmail@vigoindustries.com

CONNECT WITH US



vigoindustries