

INSTALLATION

Product Manual

Version: 330172US-01-25A-XD



IMPORTANT INFORMATION!

please read the entire manual before starting to assemble and/or using this product. follow the manual thoroughly and keep it for further reference.



AVOID SCRATCHES!

In order to avoid scratching this furniture should be assembled on a soft layer- could be a rug.



IMPROVE EFFICIENCY !

Try to find a partner to install with you, which can speed up the installation efficiency and shorten the time.



ANTI-TOPPLE WARNING !

Overturnd furniture can cause serious or fatal crush injuries. To prevent tipping over, be sure to use the wall attachment, if not included with this product. Please purchase the wall attachment that fit your wall. If unsure, seek professional advice. Please read and follow each step of the instructions carefully.

IMPORTANT !

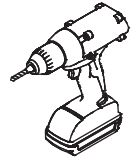
It is important that any product which is assembled using any kind of screw is re-tightened 2 weeks after assembly, and once every 3 months - in order to assure stability through-out the lifespan of the product.

For regular maintenance and cleaning of the product, for the frame, please use a rag dipped in neutral detergent to fully wipe it, and then dry it with a clean rag. For glass materials, wipe with a rag dampened with water glass cleaner, and then dry with a dry rag.

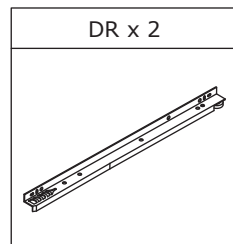
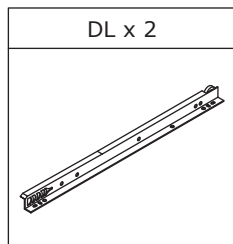
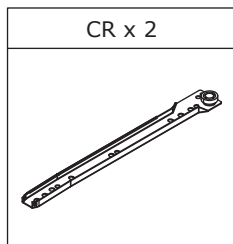
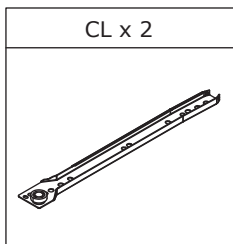
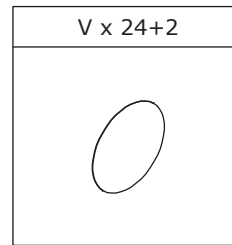
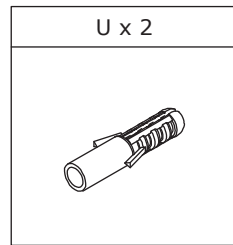
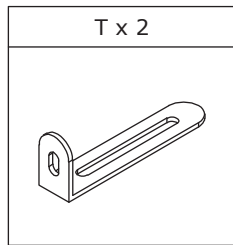
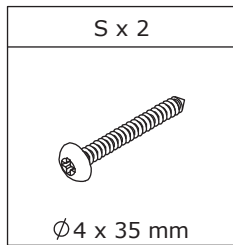
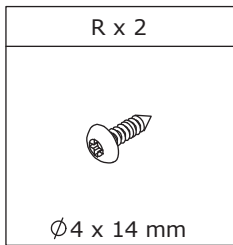
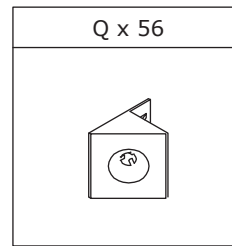
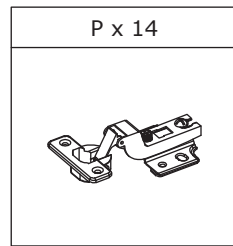
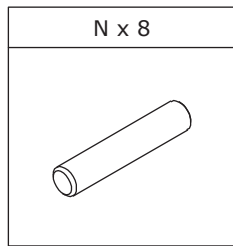
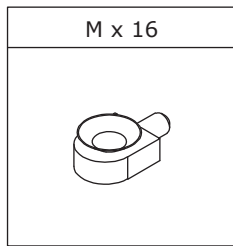
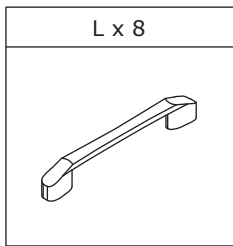
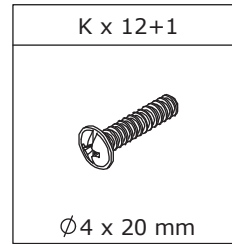
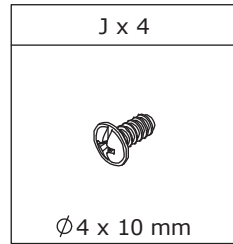
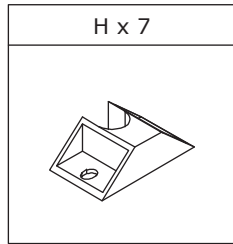
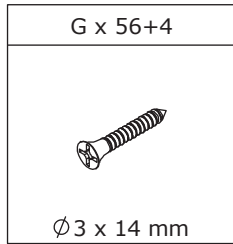
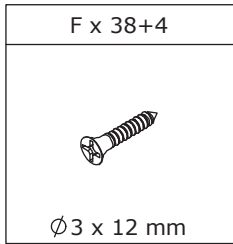
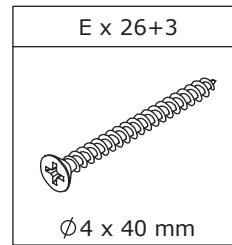
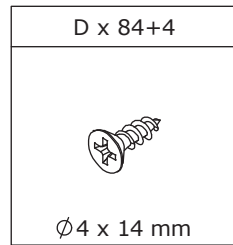
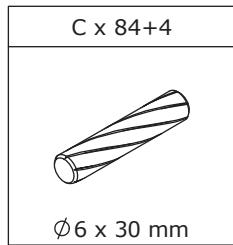
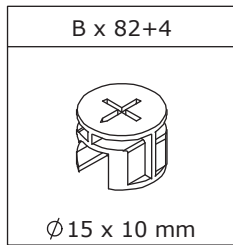
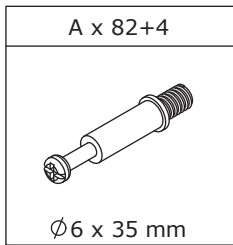
Do not use an electric screwdriver, and do not use too much force when installing, because the board is easy to break.

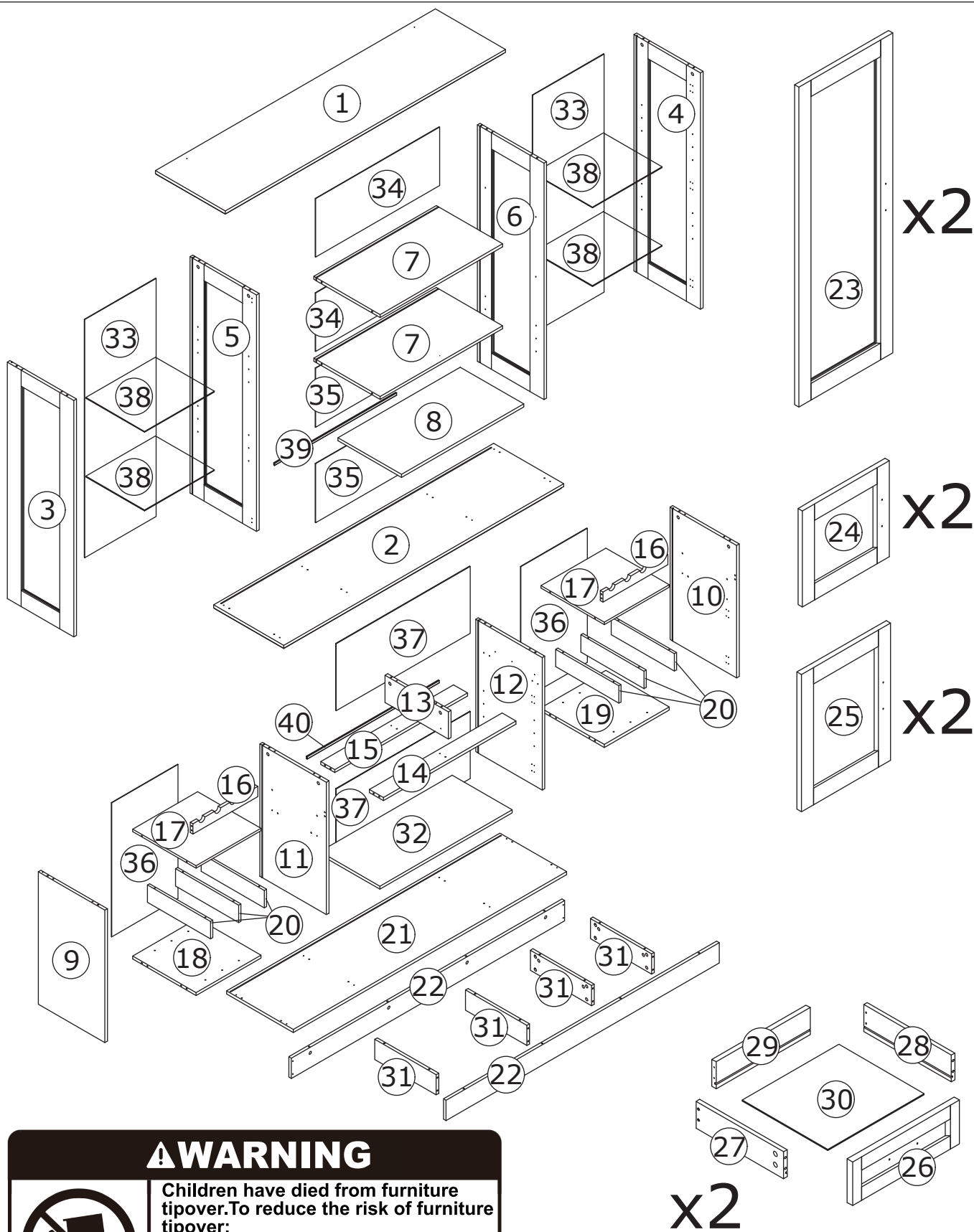


Please prepare the following tools



When installing, please carefully confirm whether each screw corresponds to the manual, accessories with similar shapes can be distinguished by size





⚠ WARNING



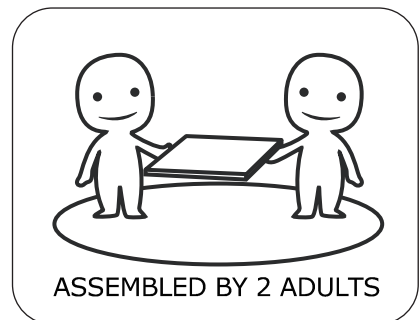
Children have died from furniture tipover. To reduce the risk of furniture tipover:

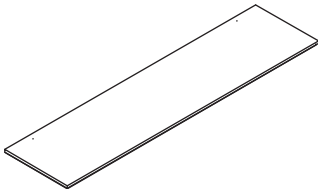
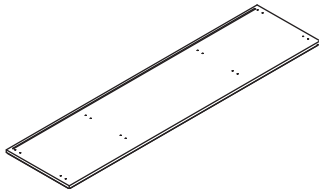

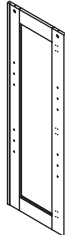


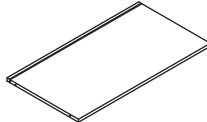
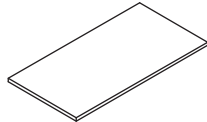



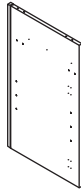
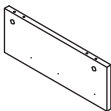
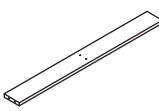
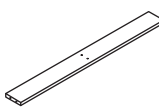
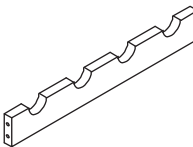
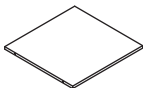
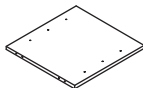
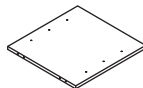
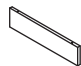
- ALWAYS install Anti-tip device provided.
- NEVER put a TV on this product.
- NEVER allow children to stand, climb or hang on drawers, doors, or shelves.
- NEVER open more than one drawer at a time.
- Place heaviest items in the lowest drawers.

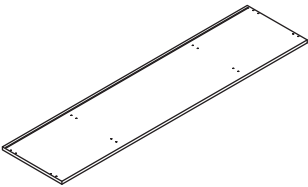
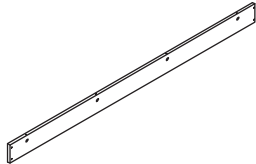
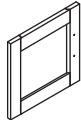

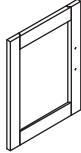
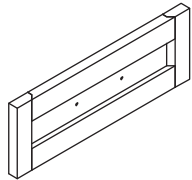
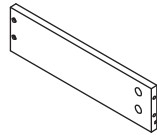
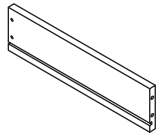
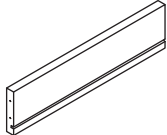
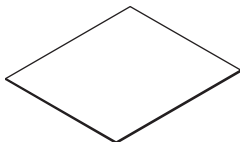
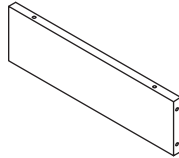
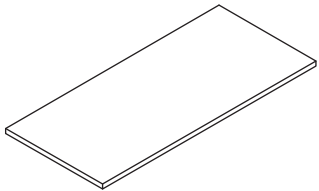

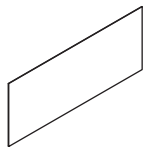
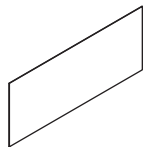
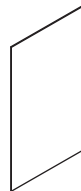
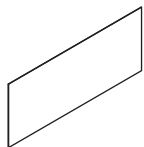
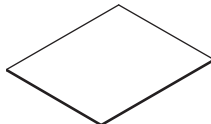




*This is a permanent label.
Do not remove!*

x2

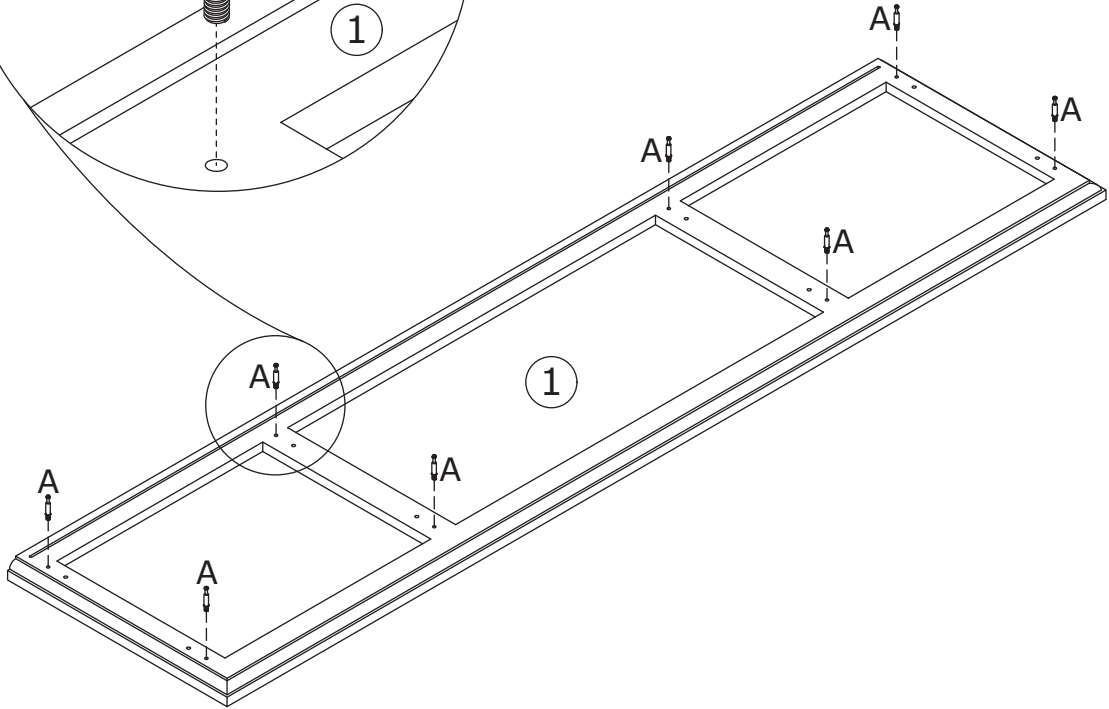
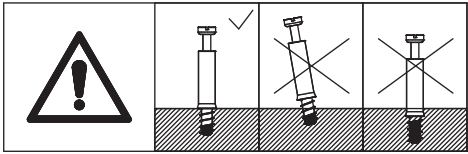
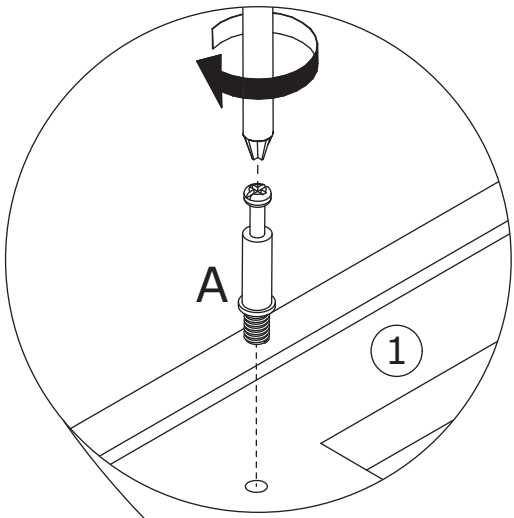


<p>① x1</p> 	<p>② x1</p> 	<p>③ x1</p> 	<p>④ x1</p> 
<p>⑤ x1</p> 	<p>⑥ x1</p> 	<p>⑦ x2</p> 	<p>⑧ x1</p> 
<p>⑨ x1</p> 	<p>⑩ x1</p> 	<p>⑪ x1</p> 	<p>⑫ x1</p> 
<p>⑬ x1</p> 	<p>⑭ x1</p> 	<p>⑮ x1</p> 	<p>⑯ x2</p> 
<p>⑰ x2</p> 	<p>⑱ x1</p> 	<p>⑲ x1</p> 	<p>⑳ x6</p> 

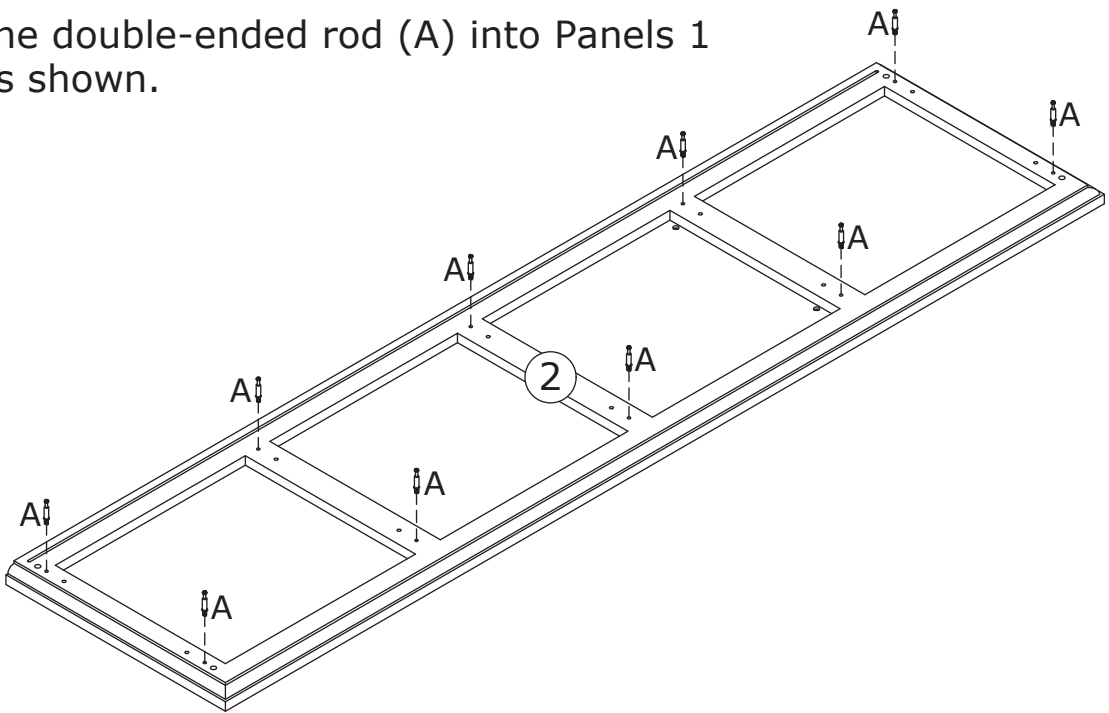
<p>21 x1</p> 	<p>22 x2</p> 	<p>23 x2</p> 	<p>24 x2</p> 
<p>25 x2</p> 	<p>26 x2</p> 	<p>27 x2</p> 	<p>28 x2</p> 
<p>29 x2</p> 	<p>30 x2</p> 	<p>31 x2</p> 	<p>32 x1</p> 
<p>33 x2</p> 	<p>34 x2</p> 	<p>35 x2</p> 	<p>36 x2</p> 
<p>37 x2</p> 	<p>38 x4</p> 	<p>39 x1</p> 	<p>40 x1</p> 

1

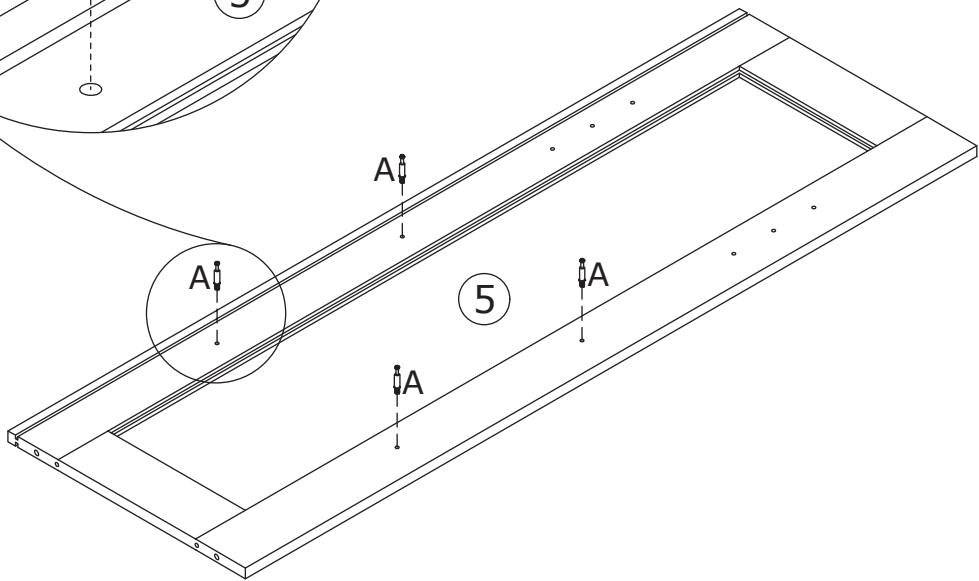
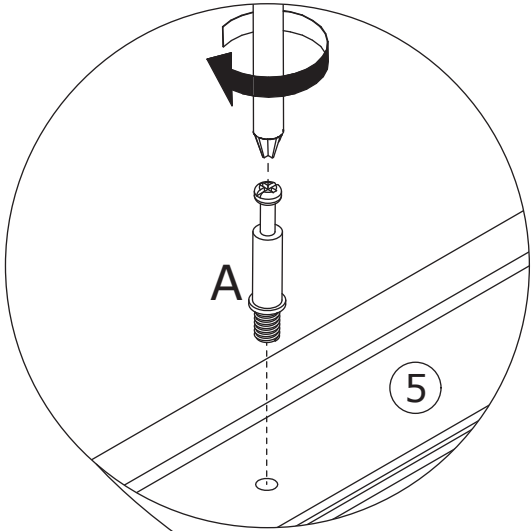
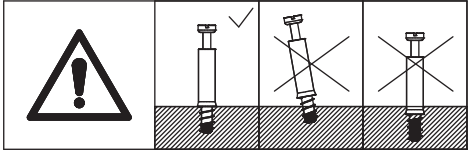
A x 18
Ø6 x 35 mm



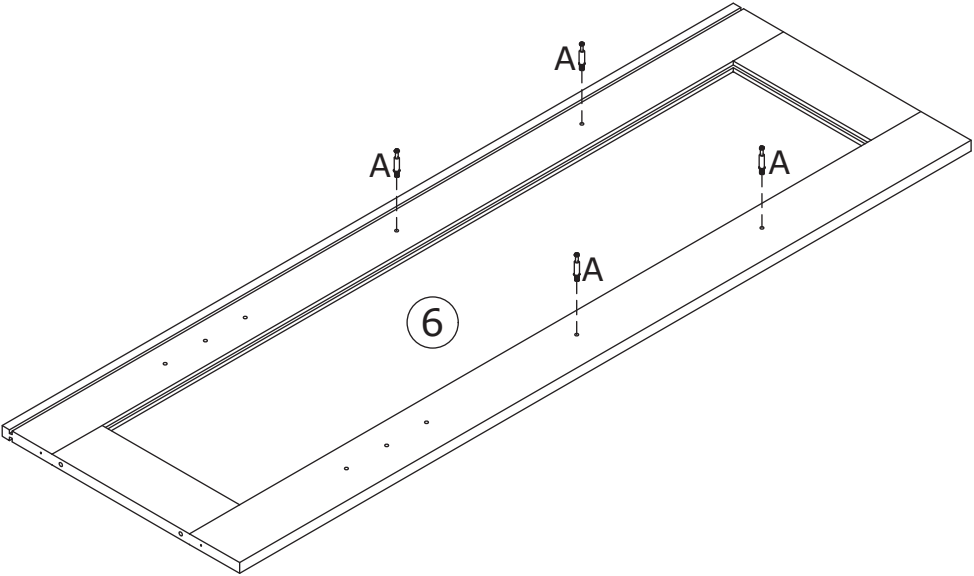
Insert the double-ended rod (A) into Panels 1 and 2 as shown.



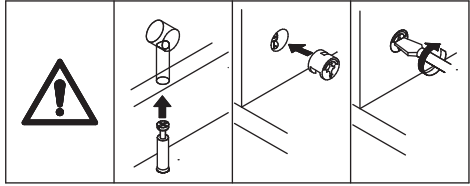
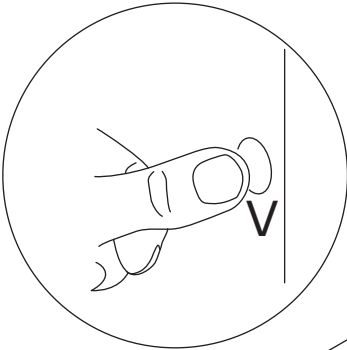
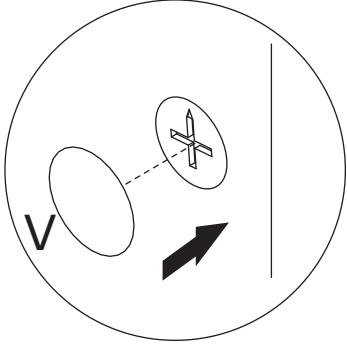
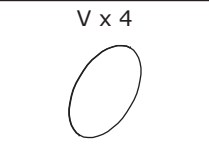
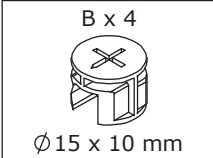
2



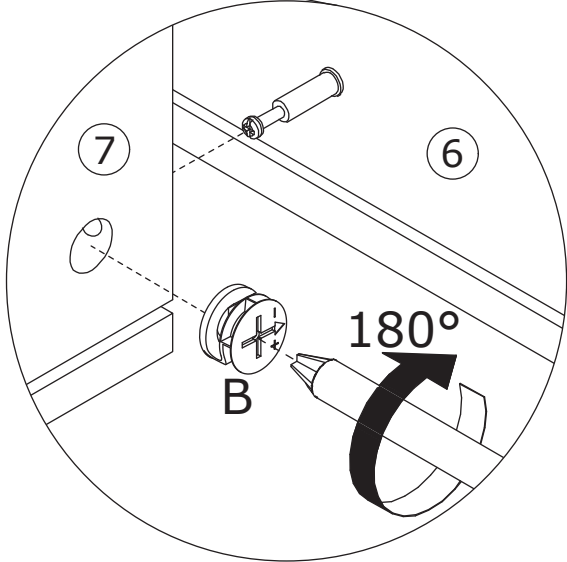
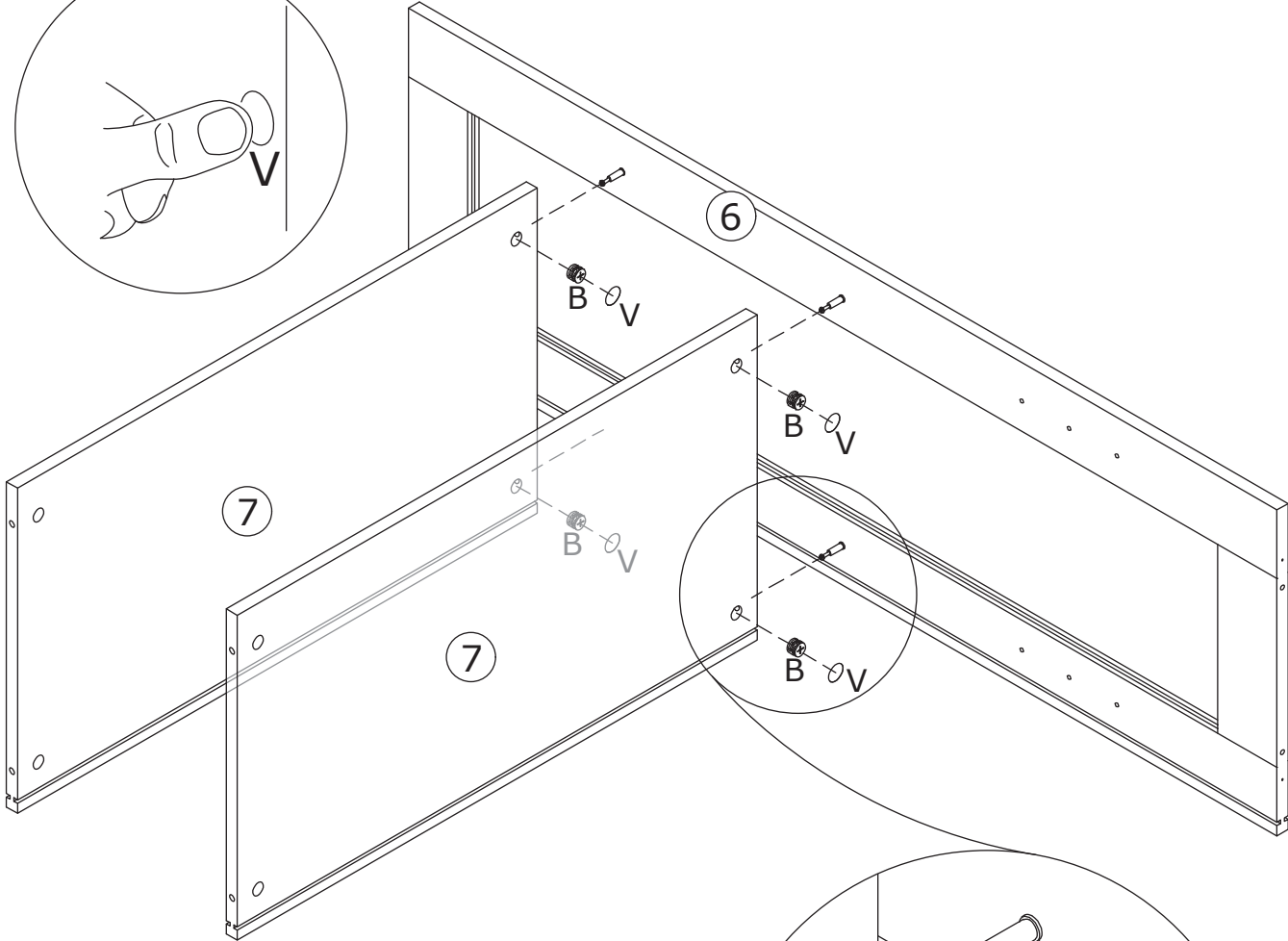
Insert the double-ended rod (A) into Panels 5 and 6 as shown.



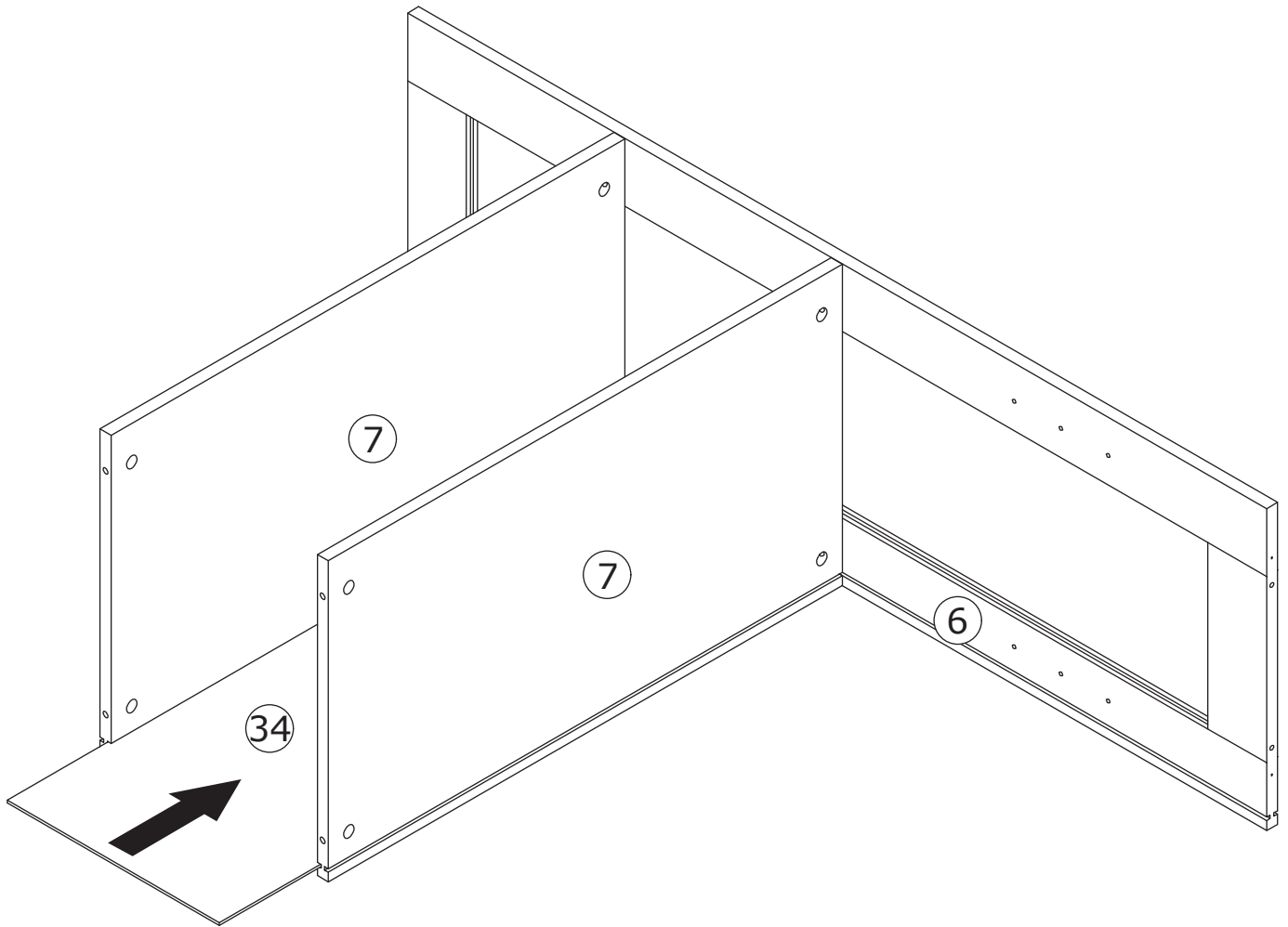
3



Connect Panels 6 and 7, then insert the cam lock (B) into holeS of Panel 7 and tighten by rotating clockwise as shown.

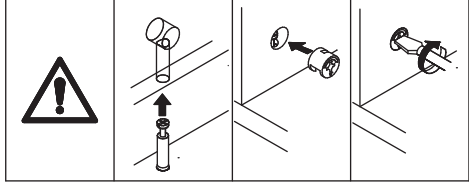
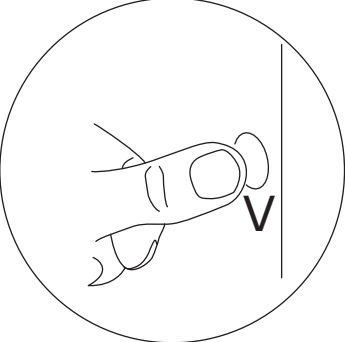
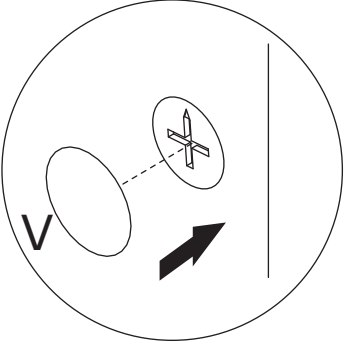
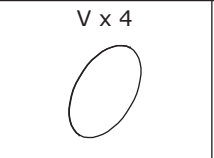
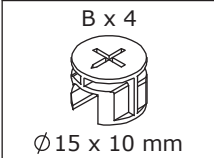


4

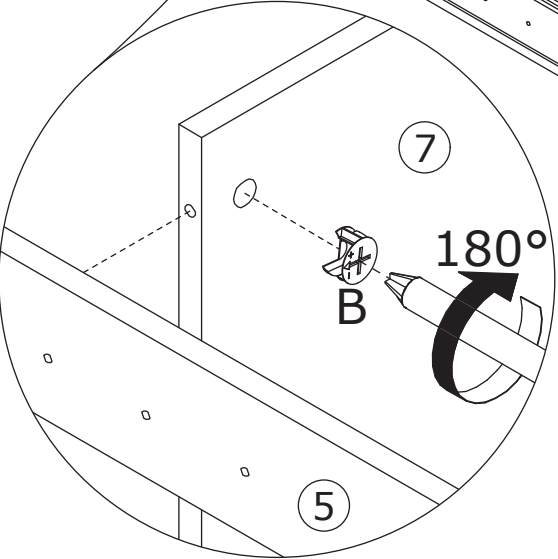
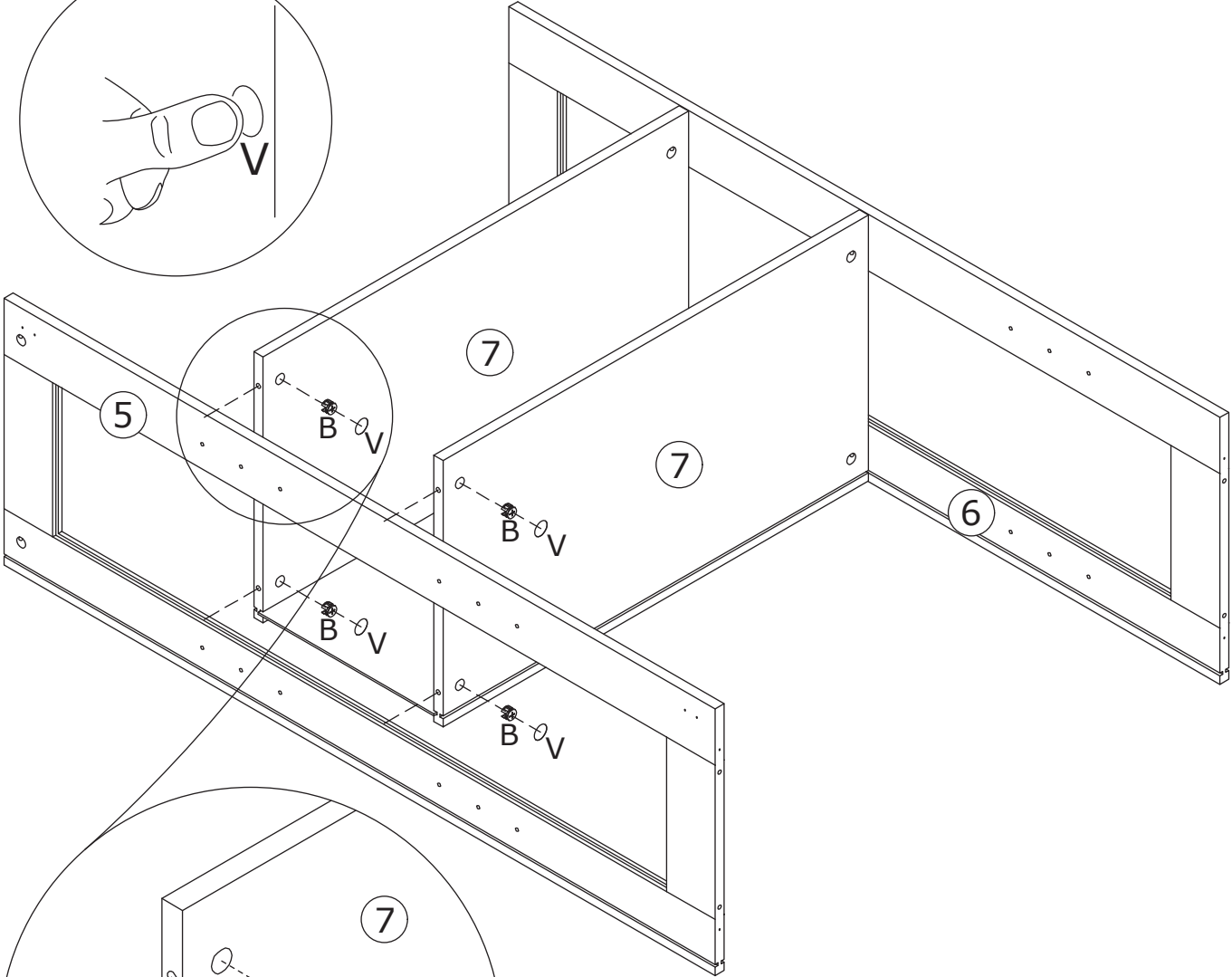


Insert back Panel 34 along available slots as shown.

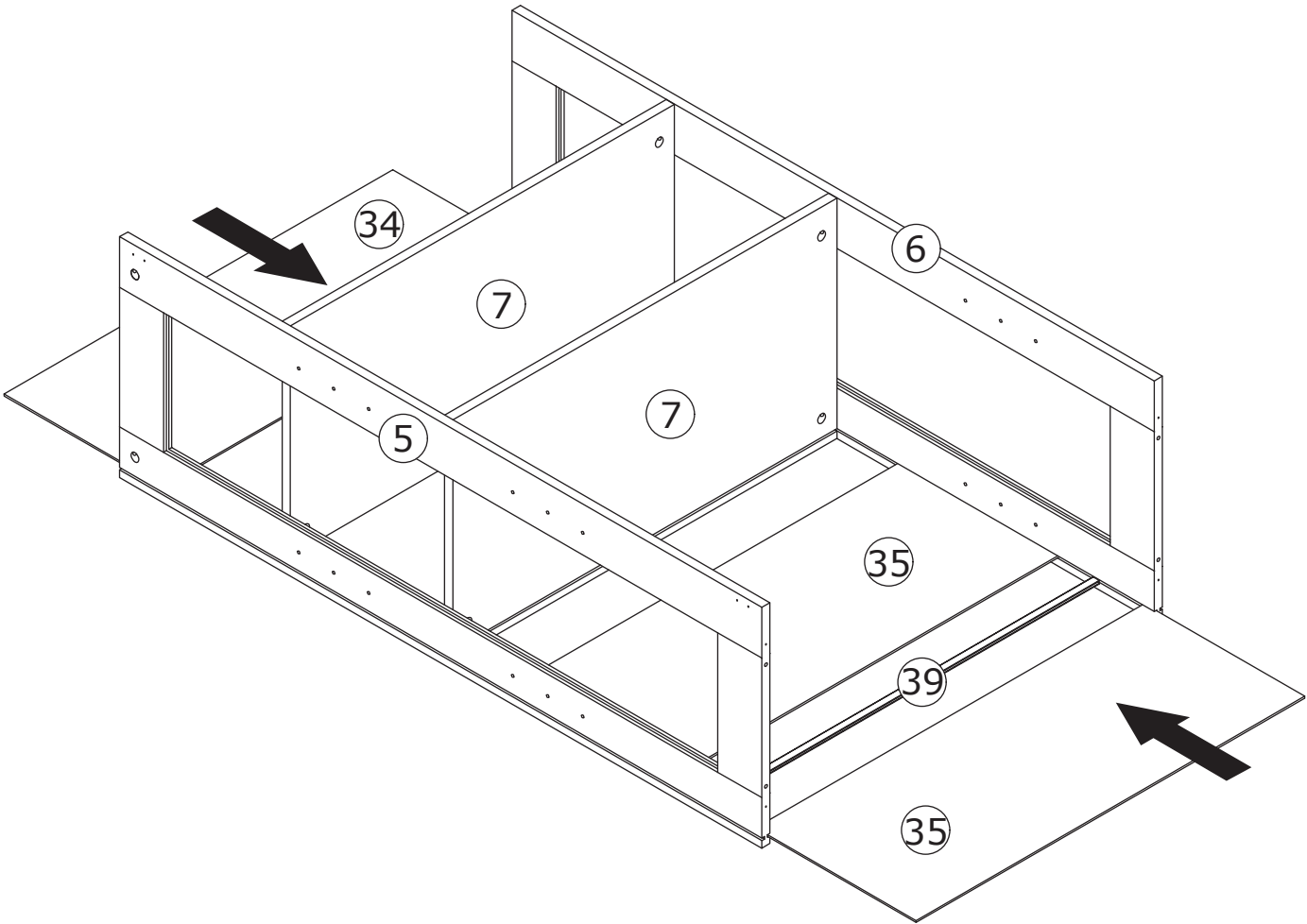
5



Connect Panels 5 and 7, then insert the cam lock (B) into holes of Panel 7 and tighten by rotating clockwise as shown.

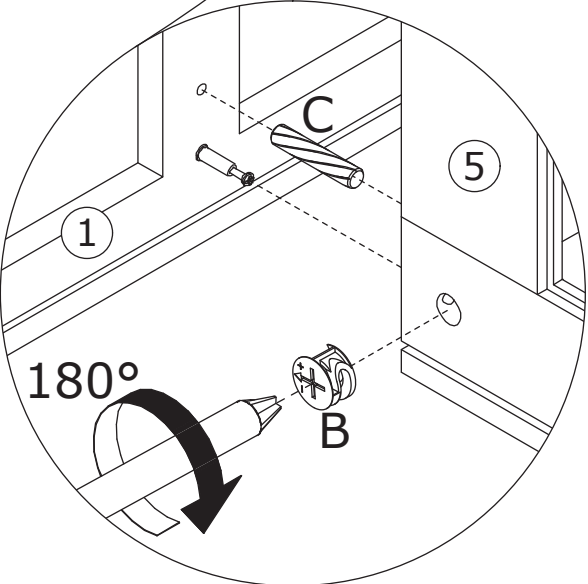
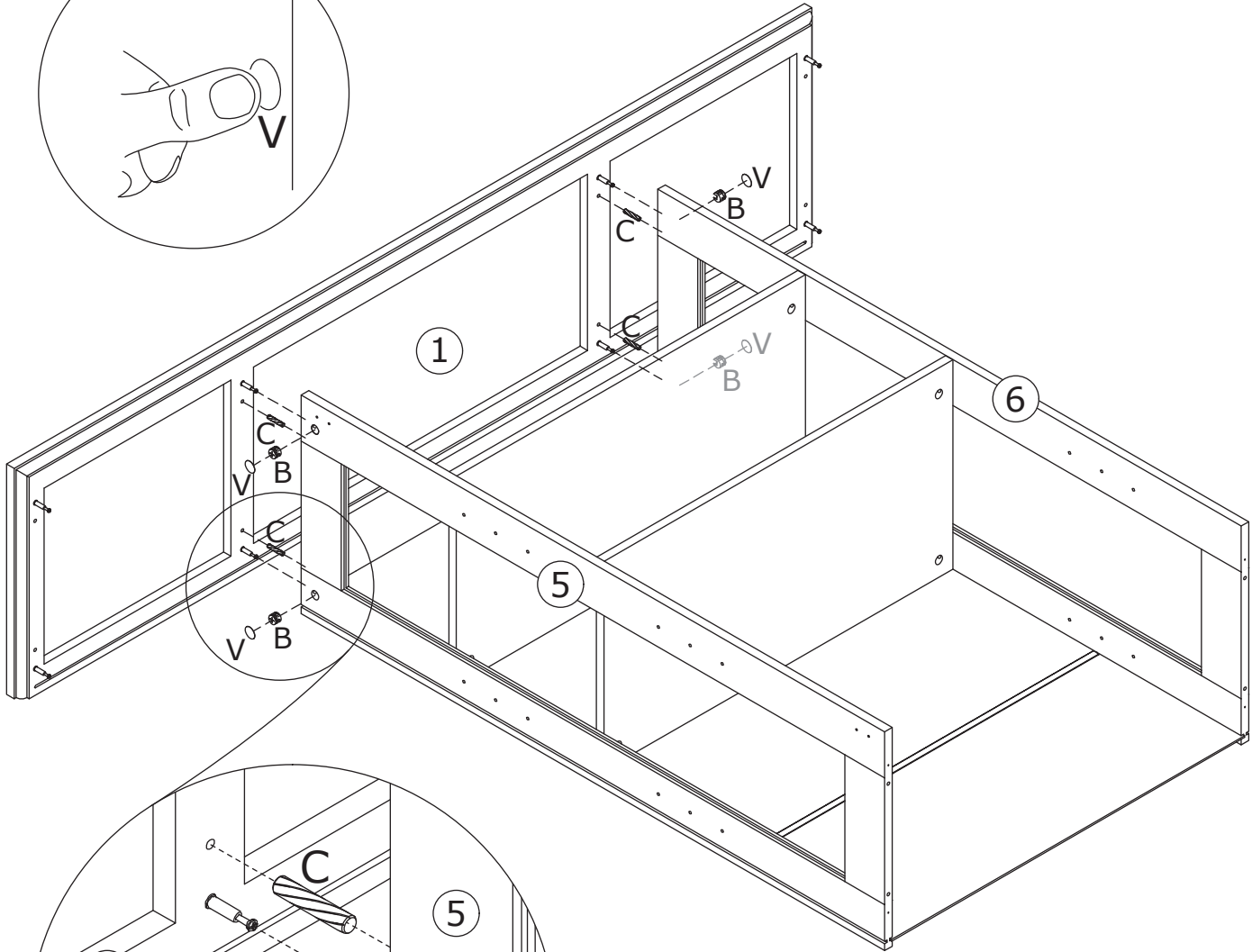
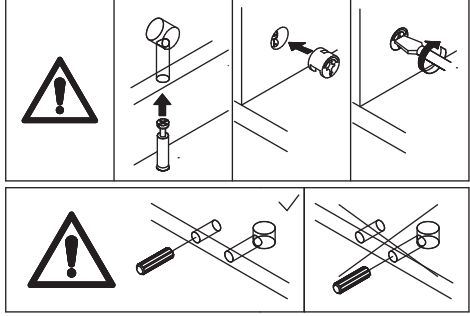
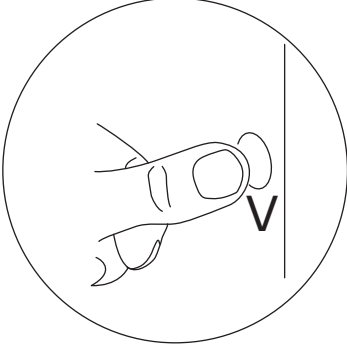
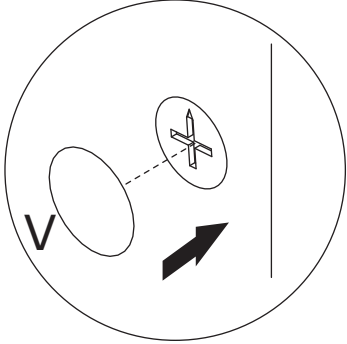
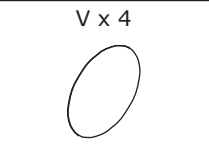
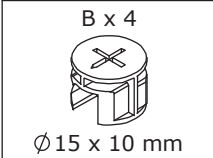


6



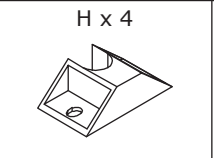
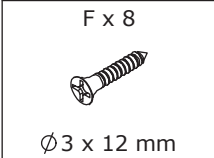
Insert back Panels 34 and 35 along available slots as shown.

7

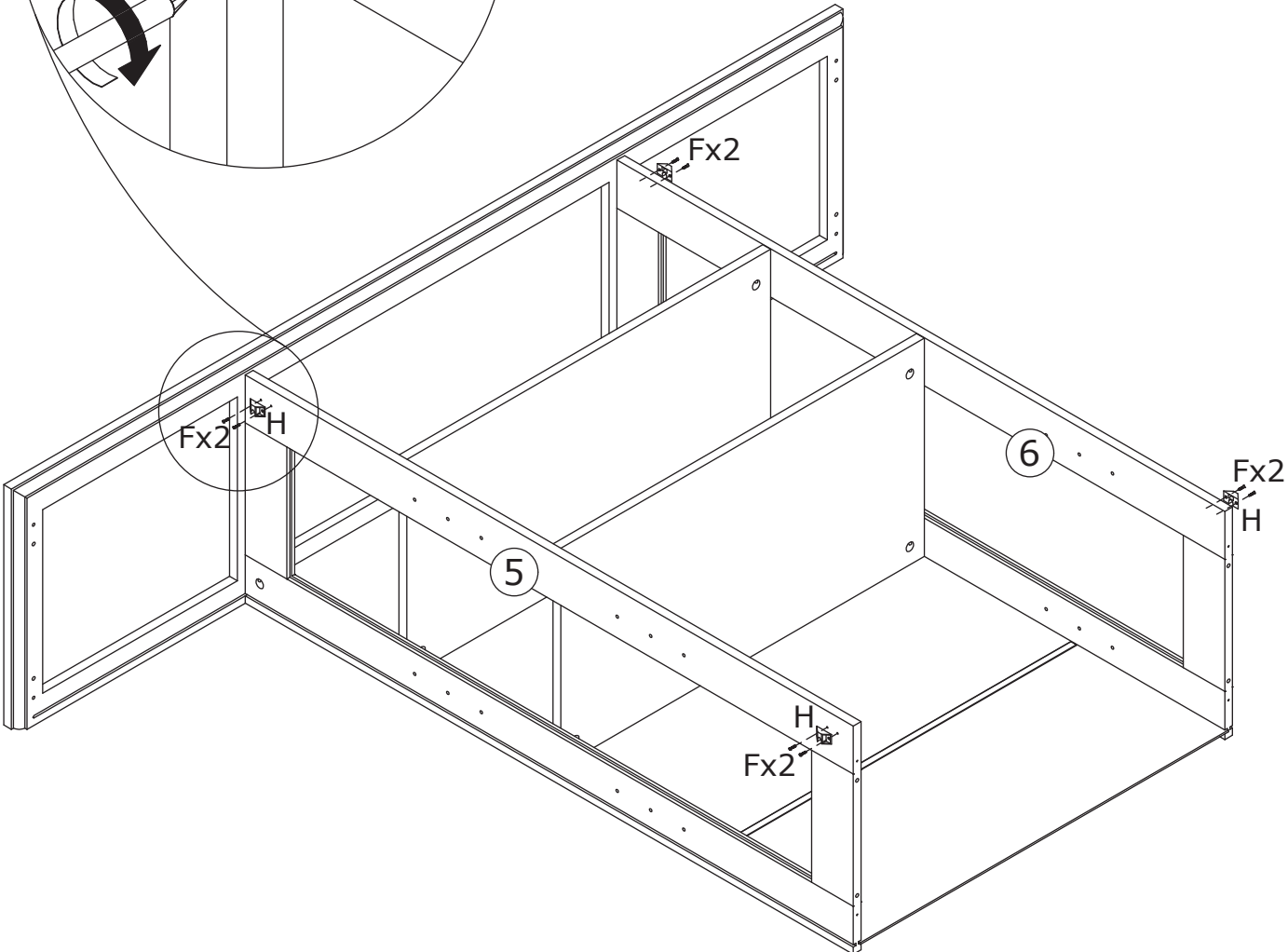
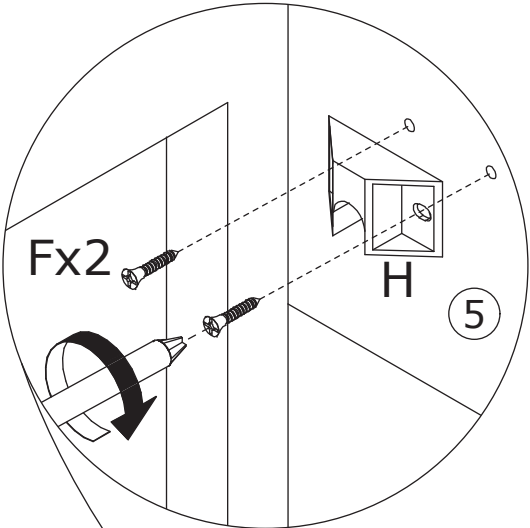


Connect Panels 1, 5, and 6 using dowels (C), then insert the cam lock (B) into holes of Panels 5 and 6 and tighten by rotating clockwise. Cover the corresponding holes with hole covers (V) as shown.

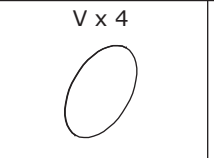
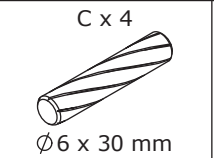
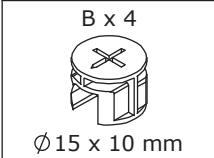
8



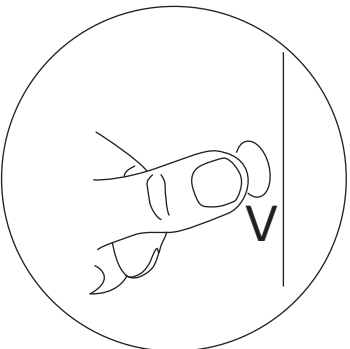
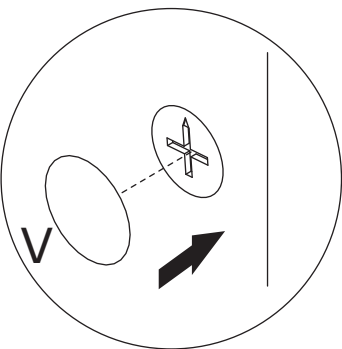
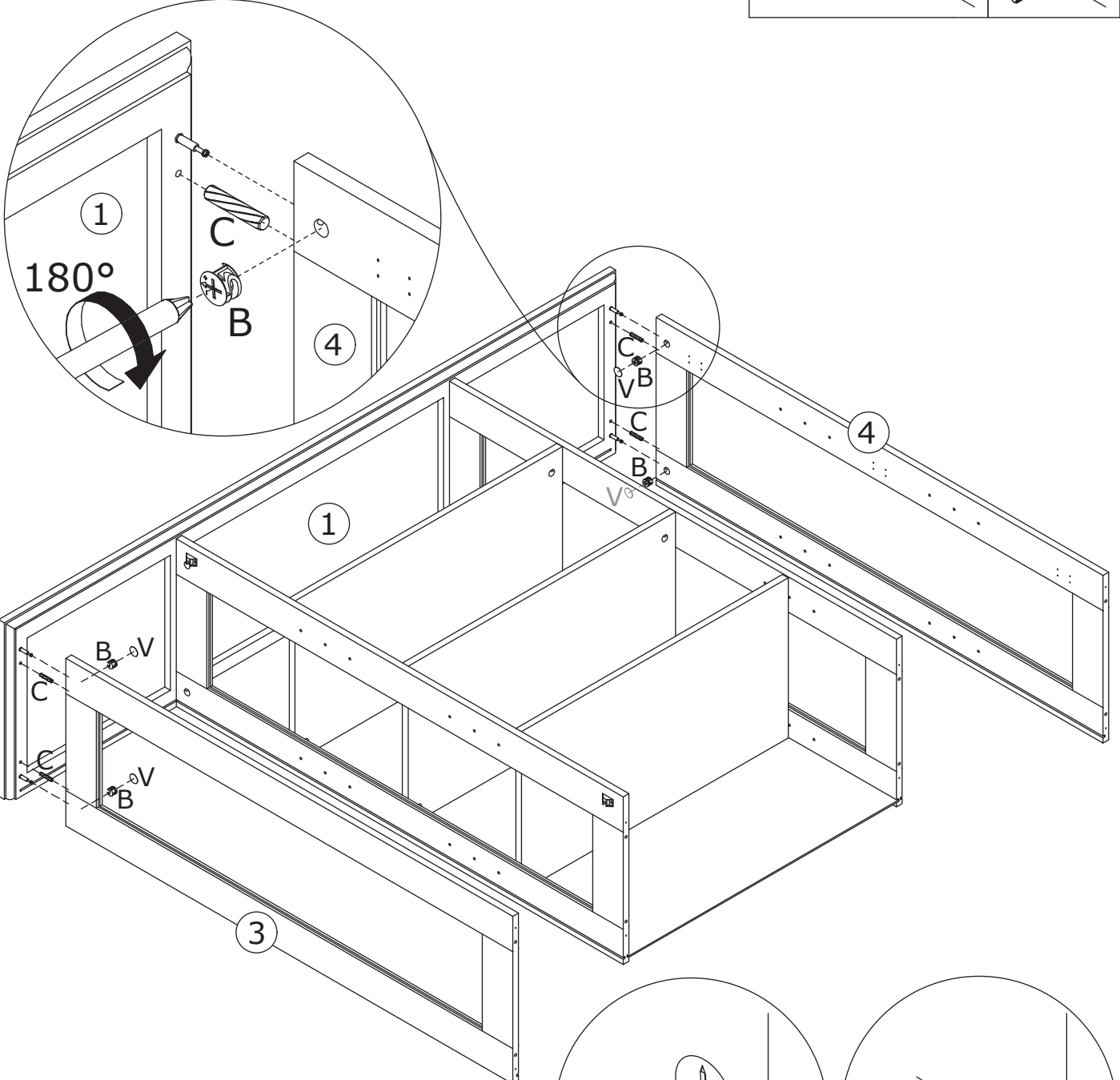
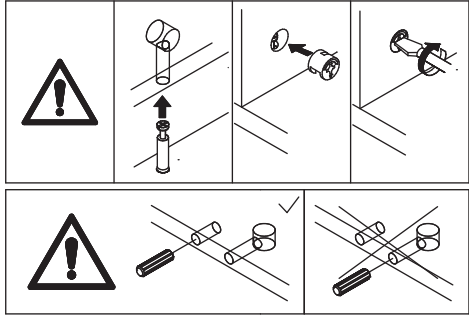
Secure part (H) to Panels 5 and 6 using screws (F) as shown.



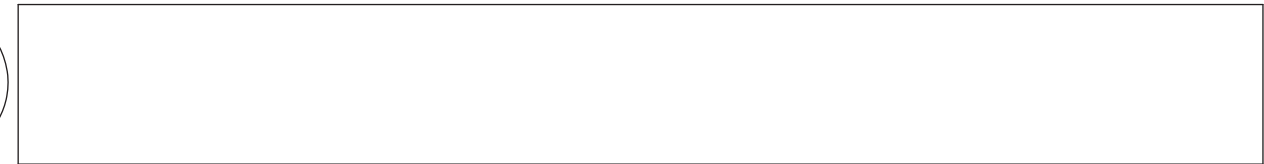
9



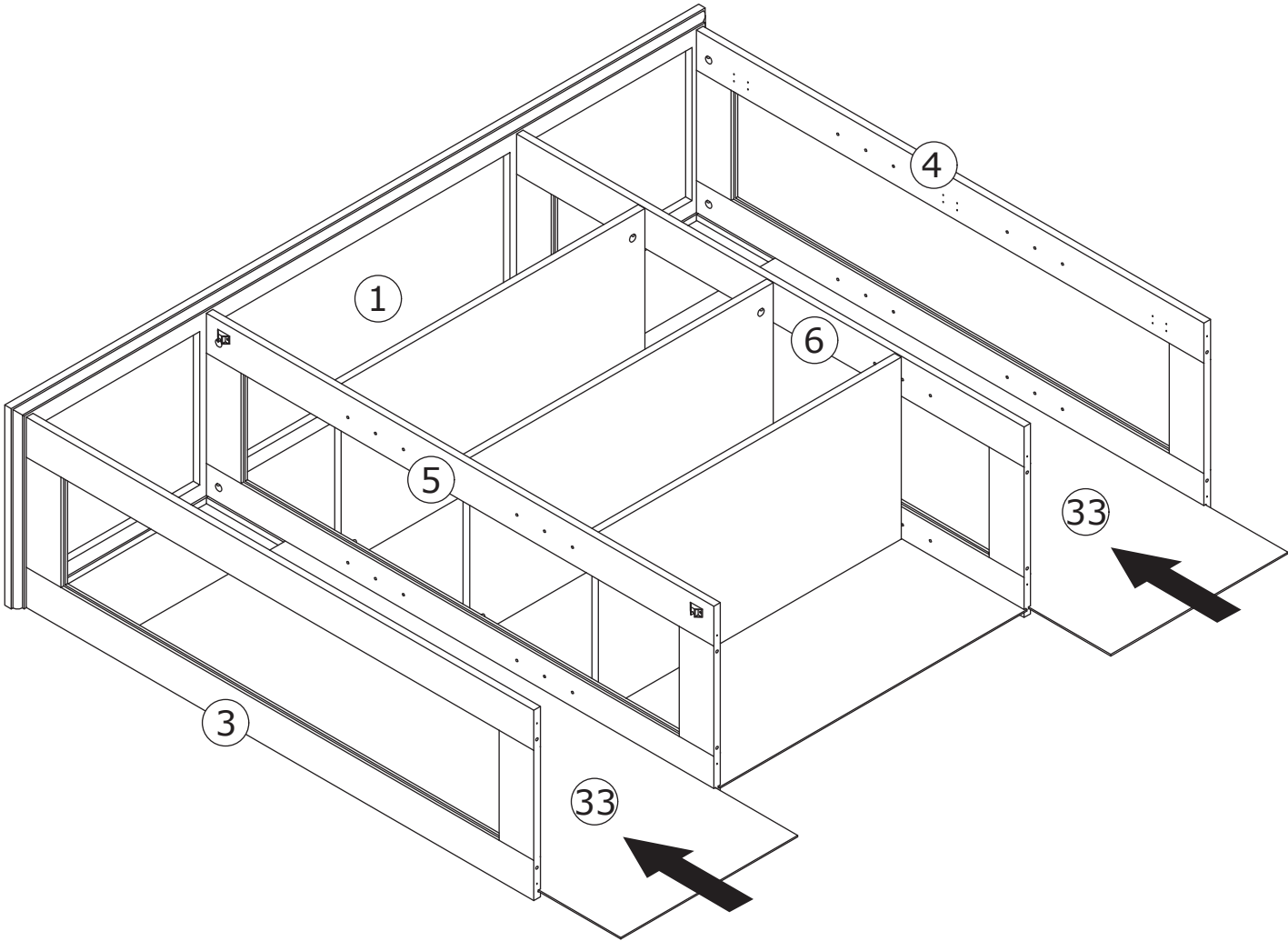
Connect Panels 1, 3, and 4 using dowels (C), then insert the cam lock (B) into and tighten by rotating clockwise. Cover the corresponding holes with hole covers (V) as shown.



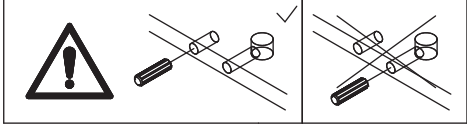
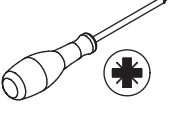
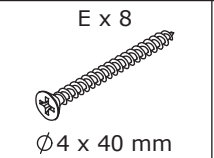
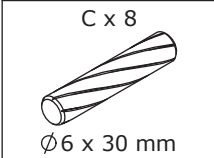
10



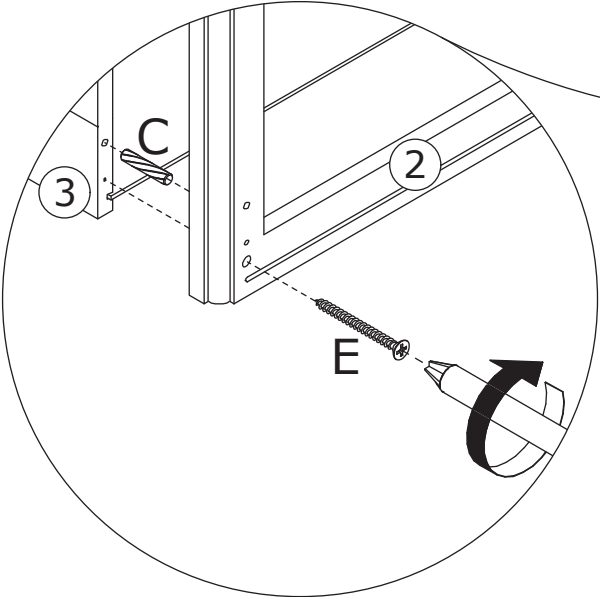
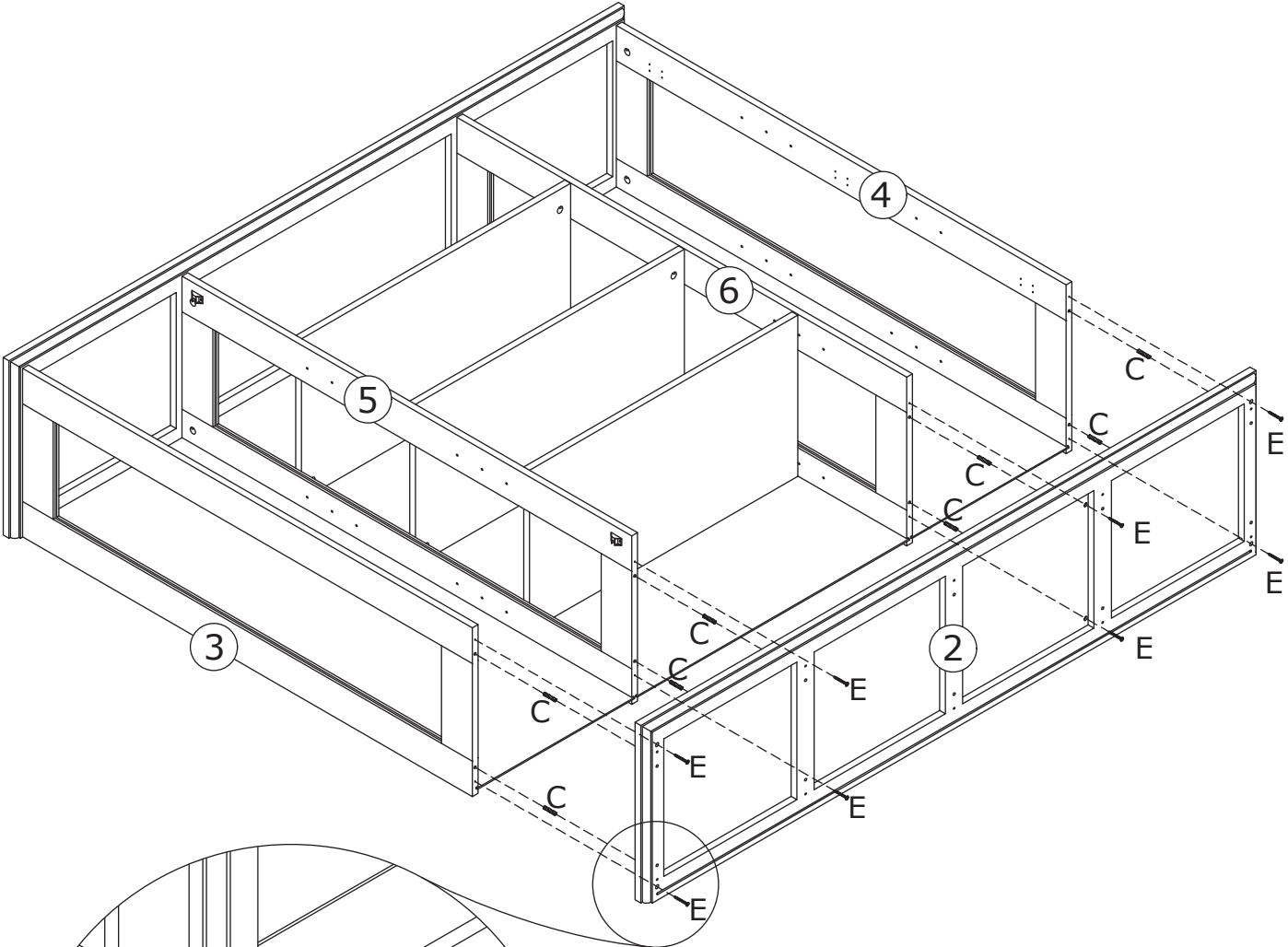
Insert back Panel 33 along available slots as shown.



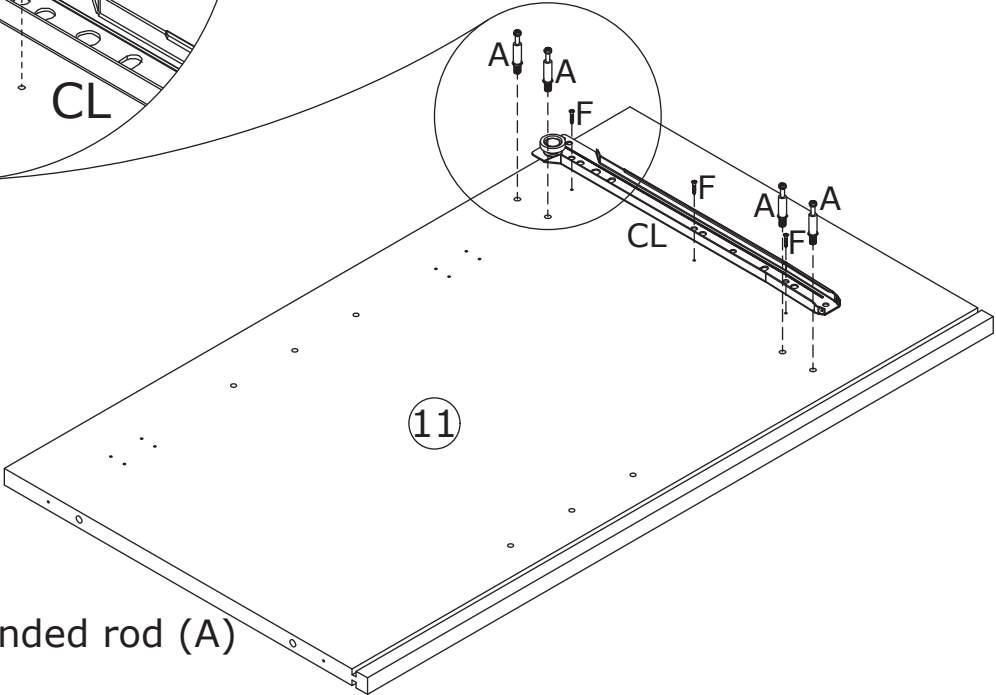
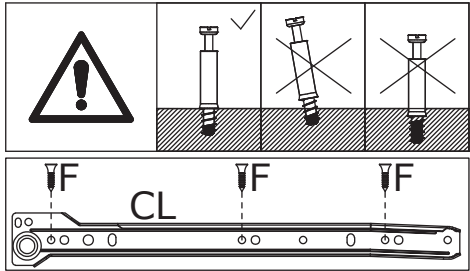
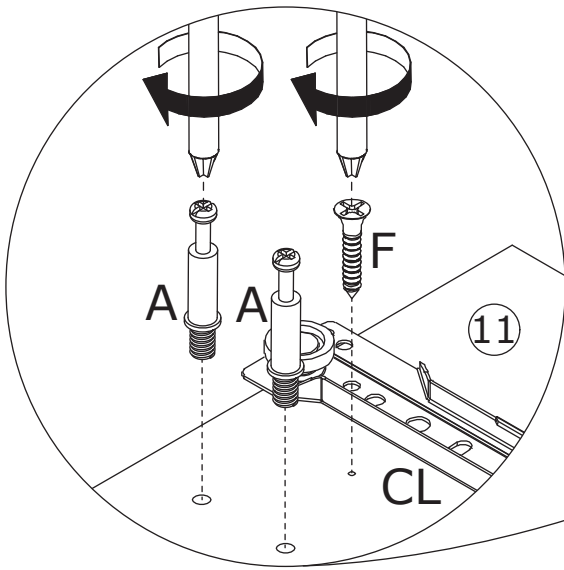
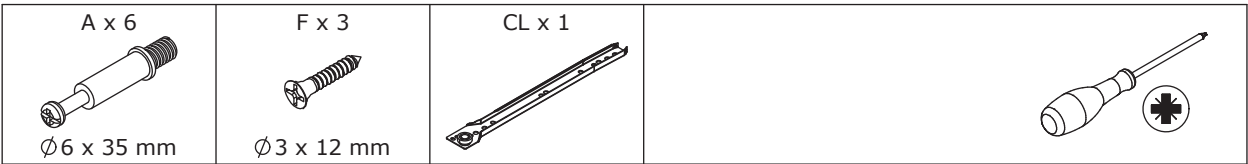
11



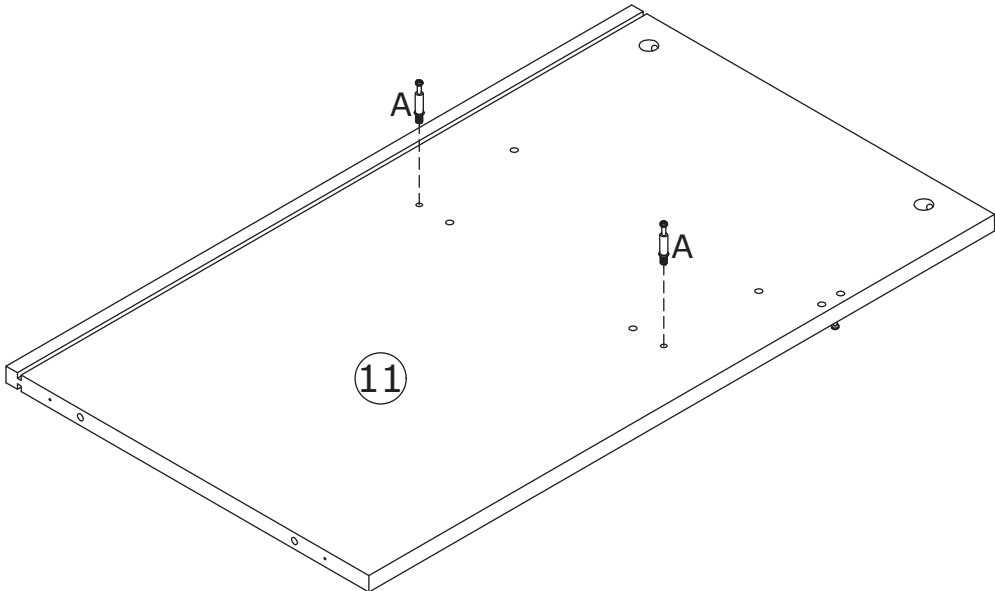
Connect Panels 2 and 3, 4, 5, 6 using dowels (C), then secure with screws (E) as shown.



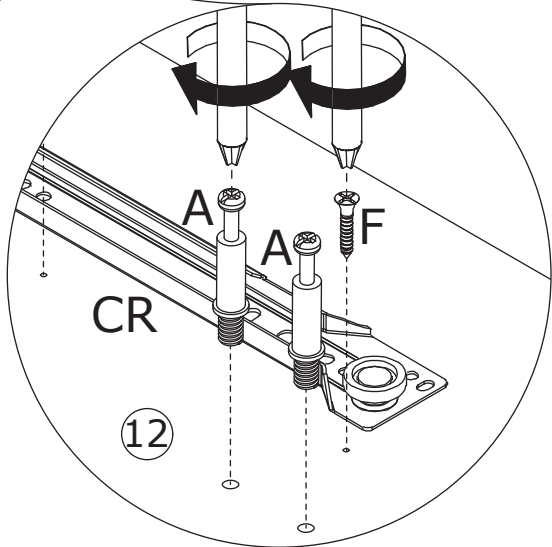
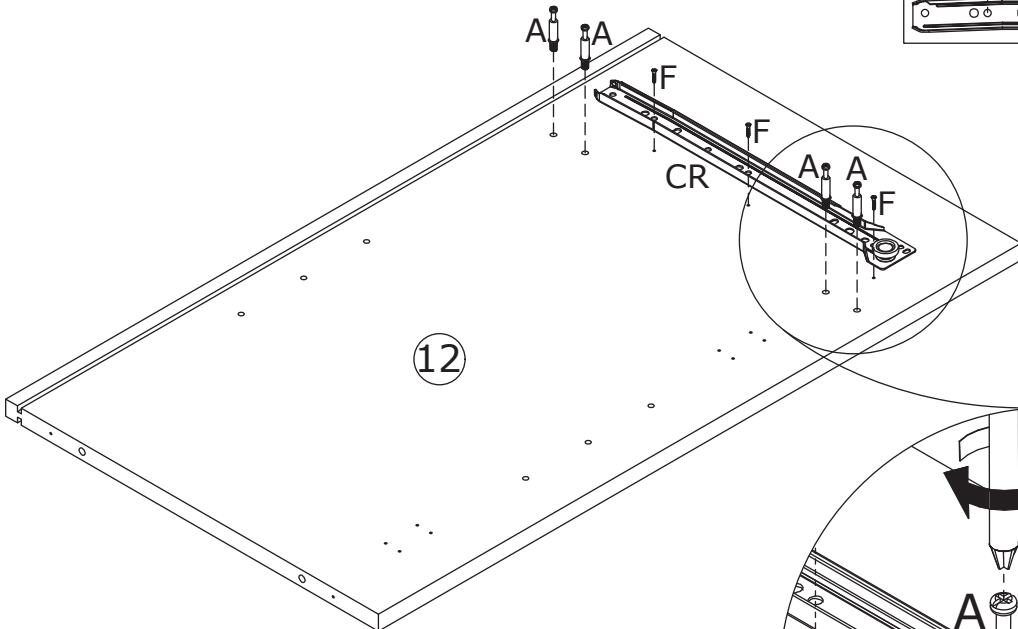
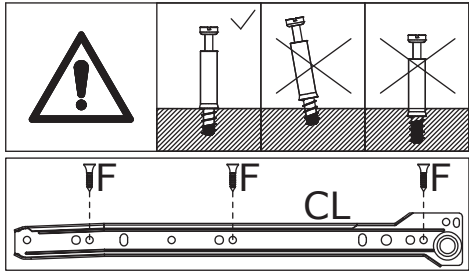
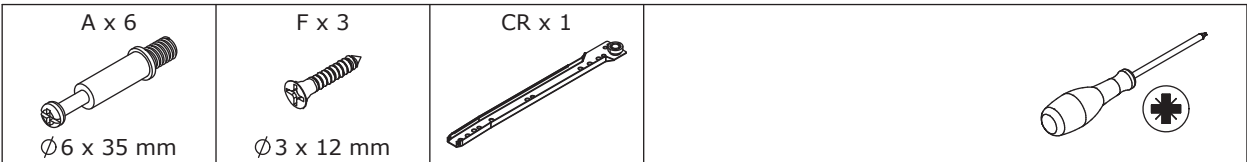
12



Insert the double-ended rod (A) into Panel 11. Then, **flip to back**, secure (CL) using screws (F) as shown.

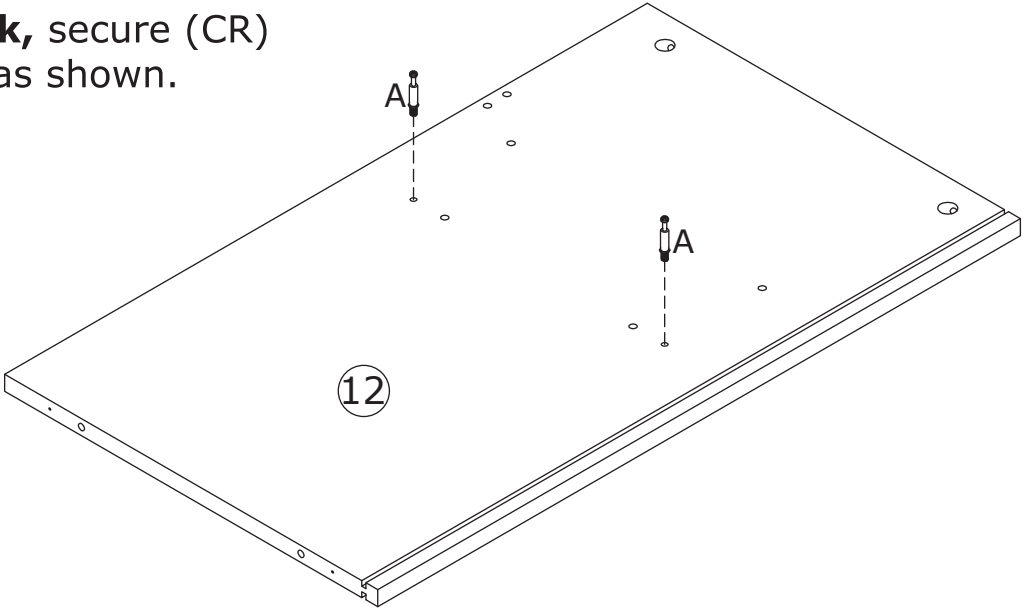


13

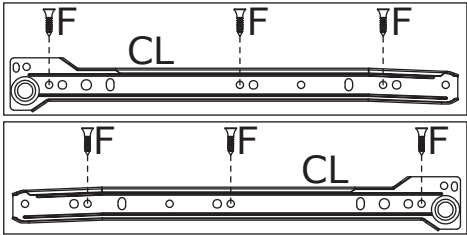
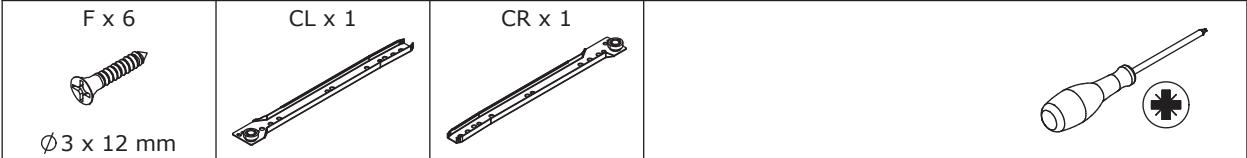


180°

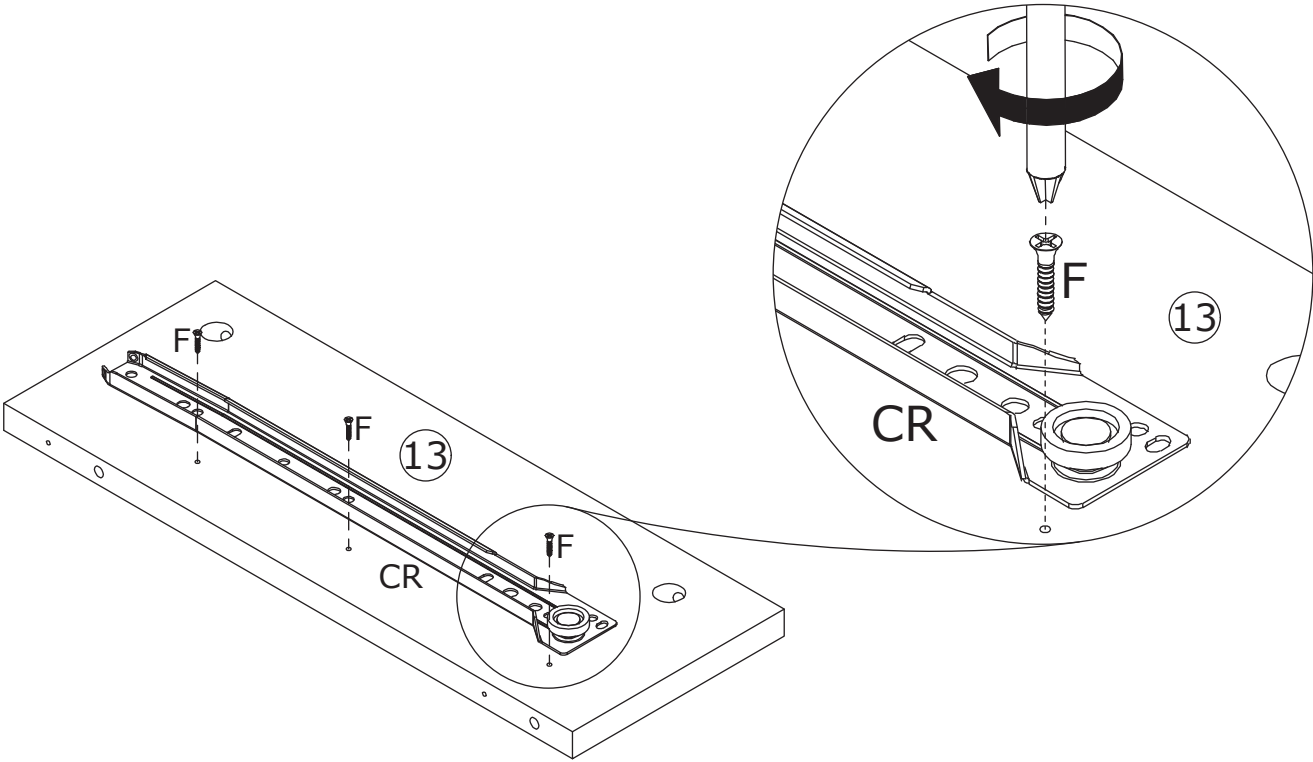
Insert the double-ended rod (A) into Panel 12.
Then, **flip to back**, secure (CR) using screws (F) as shown.



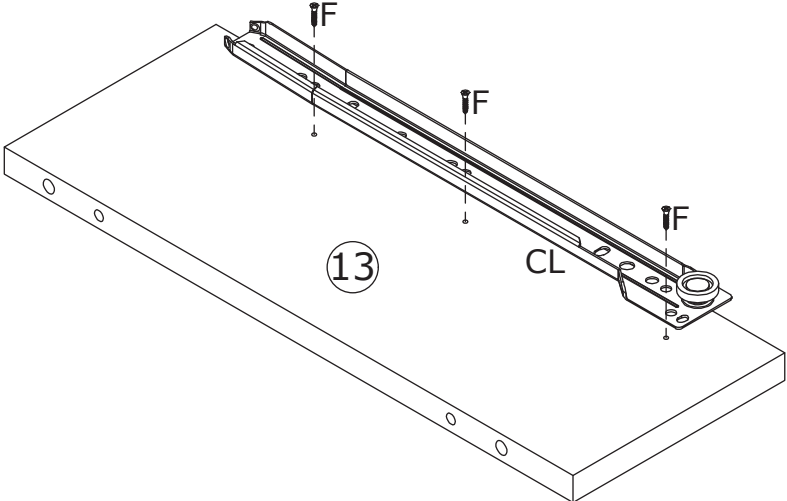
14



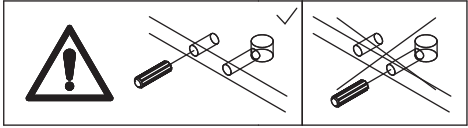
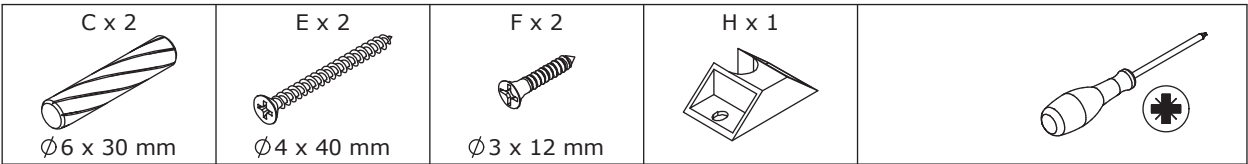
Secure (CL) and (CR) to **the same Panel 13** using screws (F) as shown.



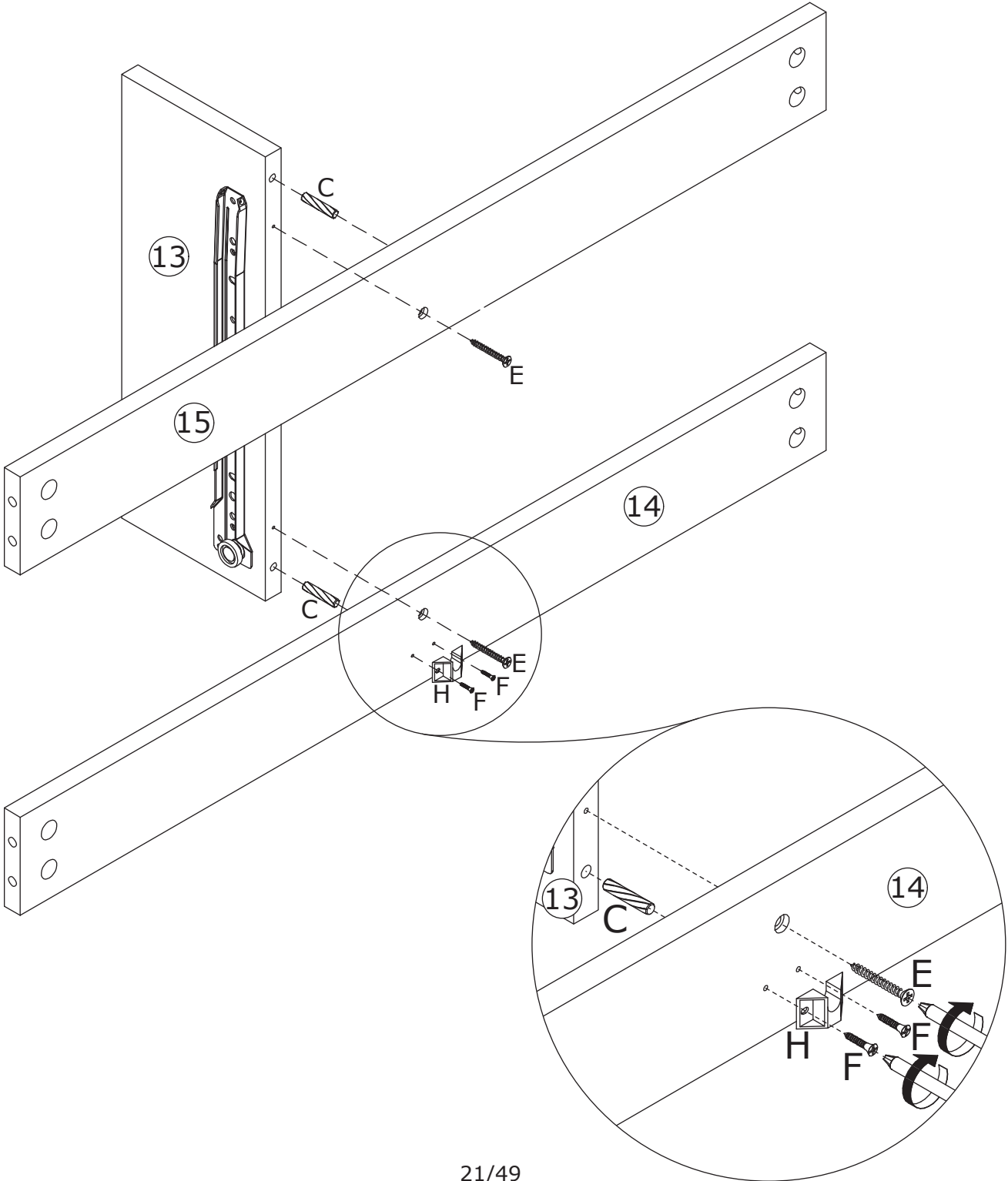
 **Flip to back**



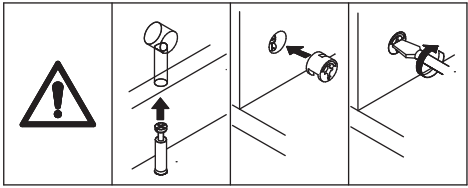
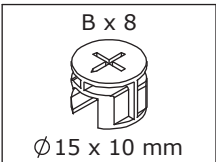
15



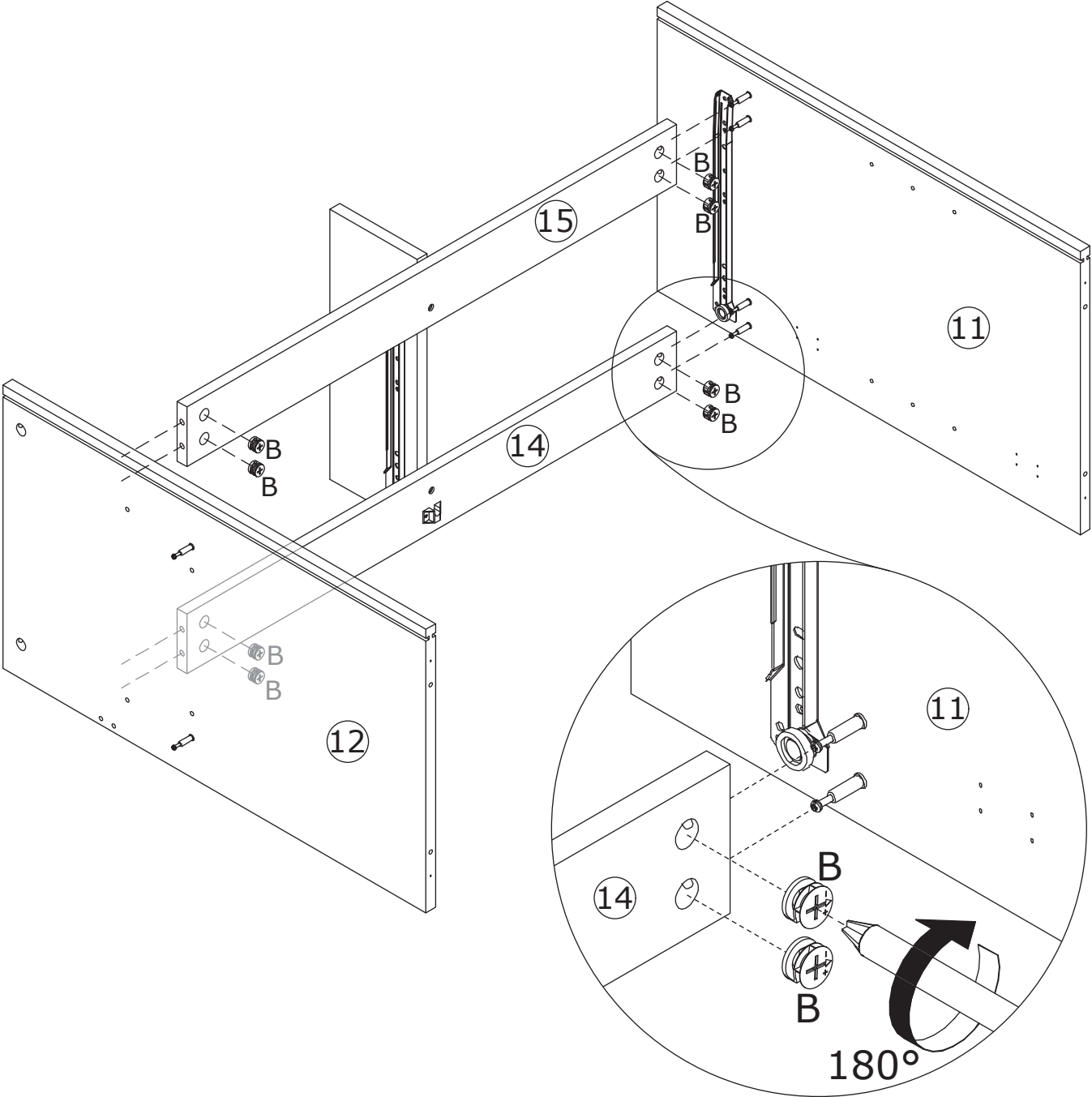
Connect Panels 13, 14, and 15 using dowels (C), then secure with screws (E).
Next, secure part (H) to Panel 14 using screws (F) as shown.



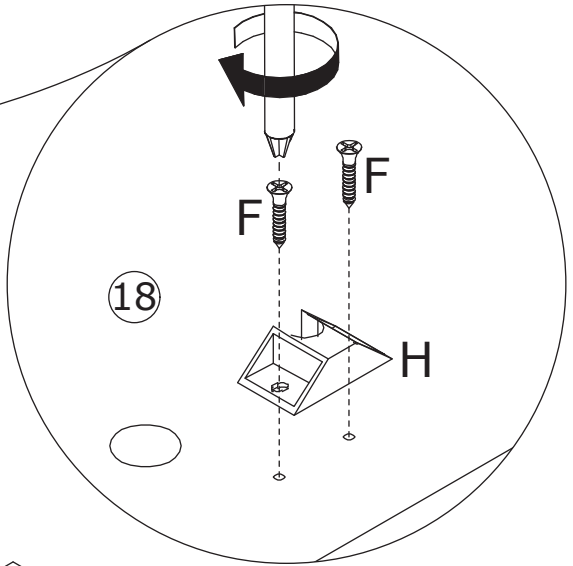
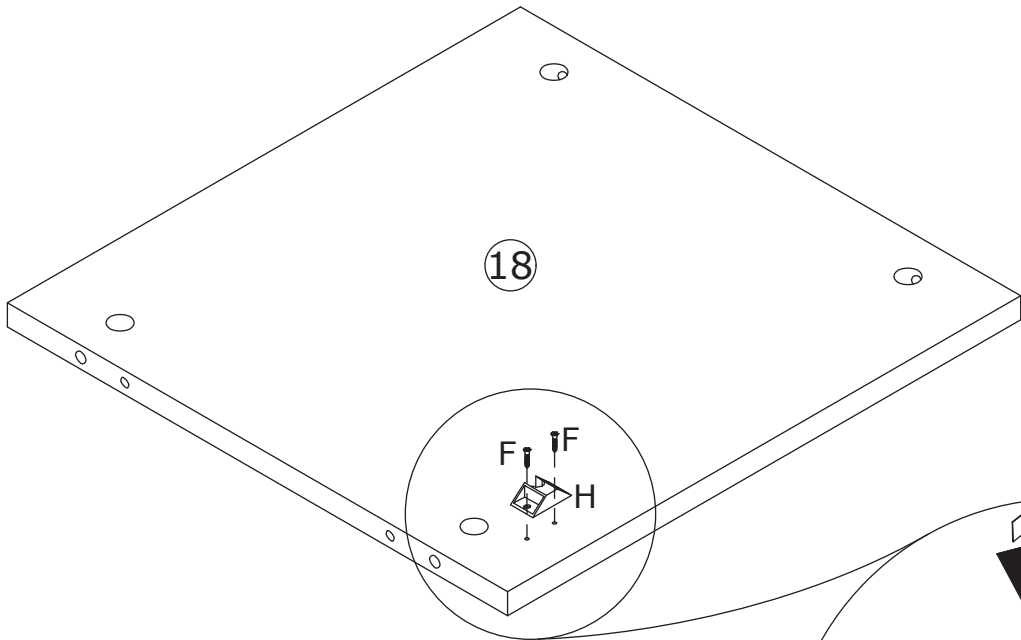
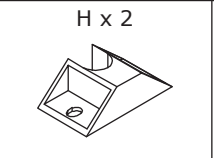
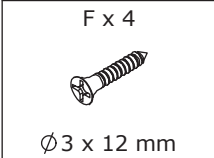
16



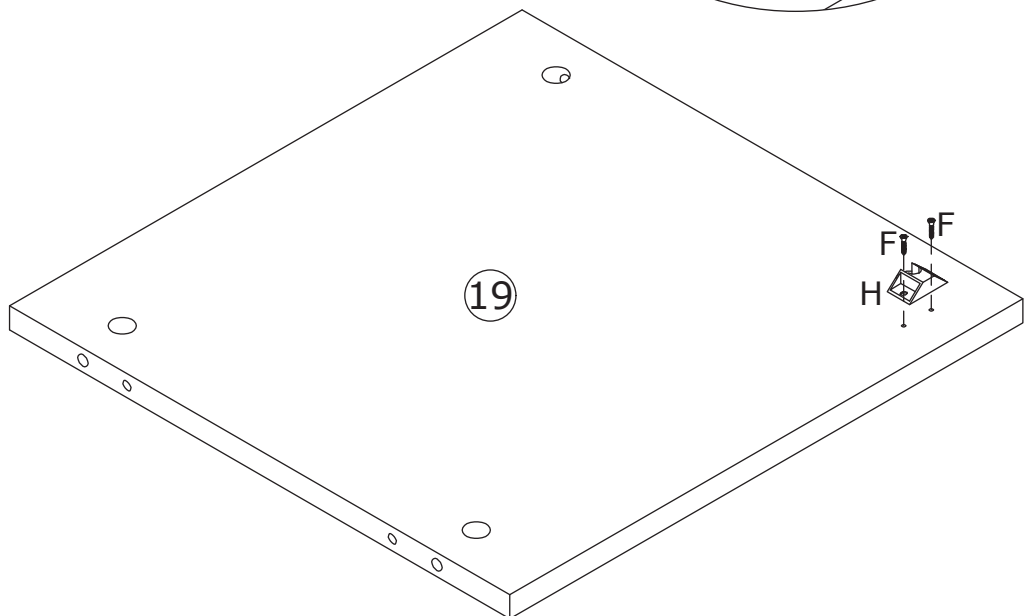
Connect Panels 14 and 15 to Panels 11 and 12, then insert the cam lock (B) and tighten by rotating clockwise as shown.



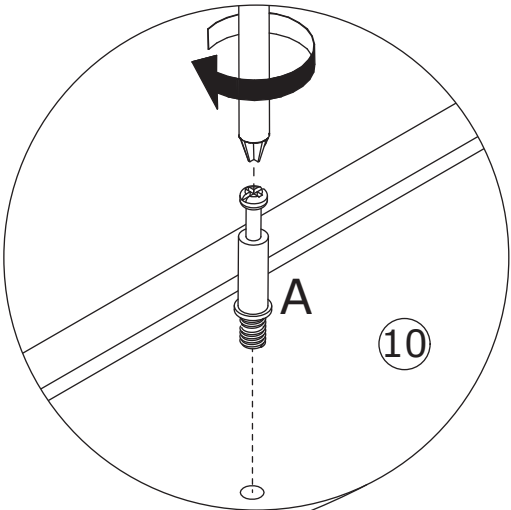
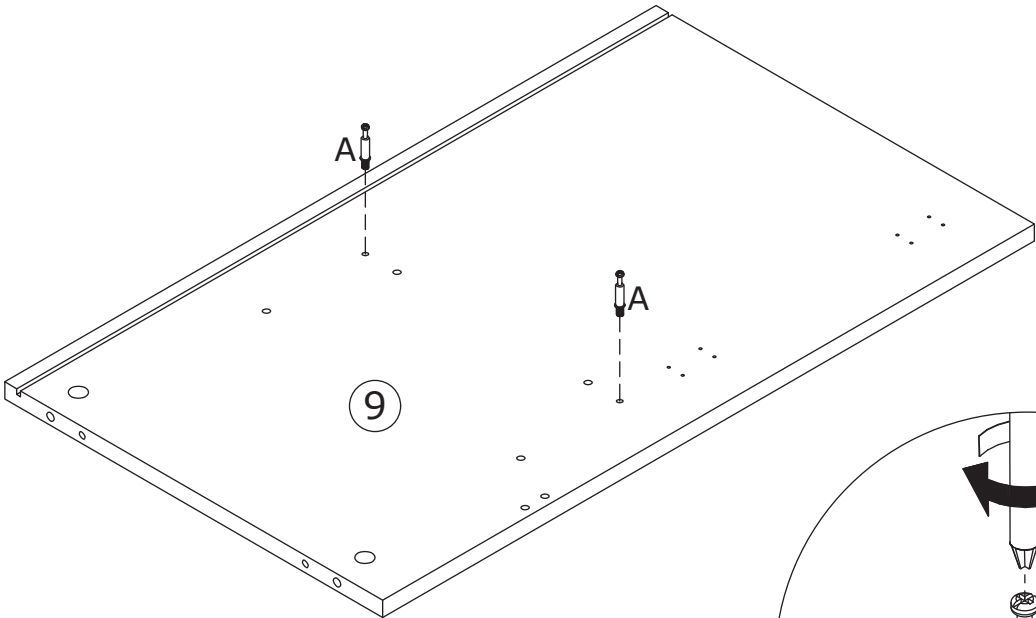
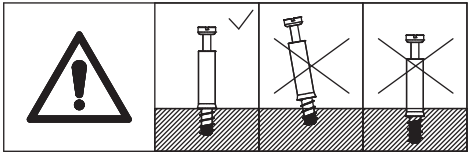
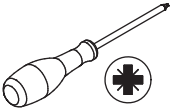
17



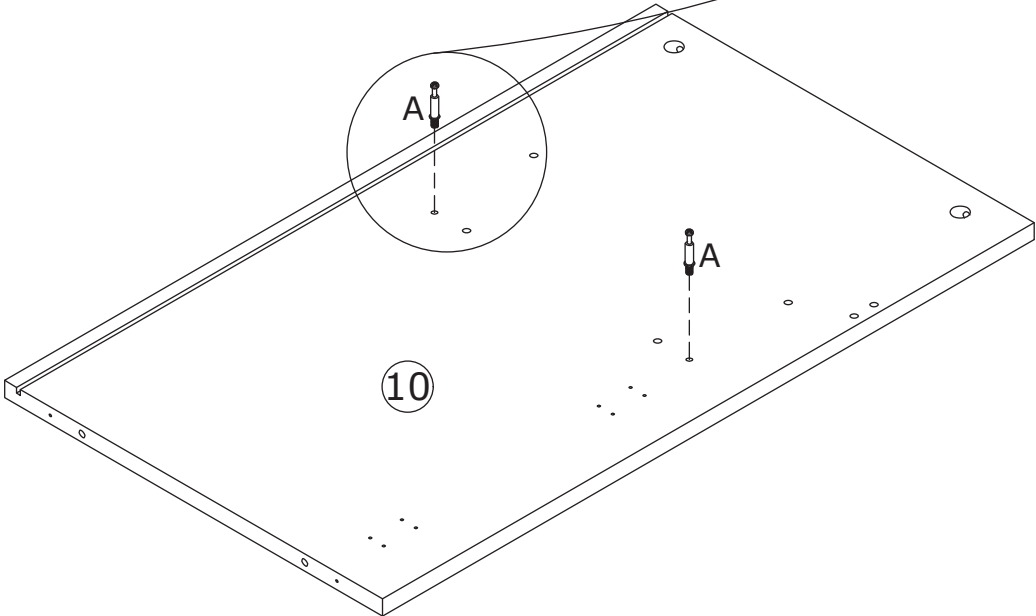
Secure part (H) to Panels 18 and 19 using screws (F) as shown.



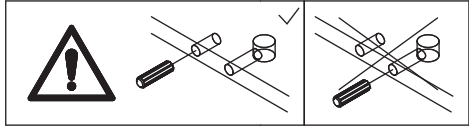
18



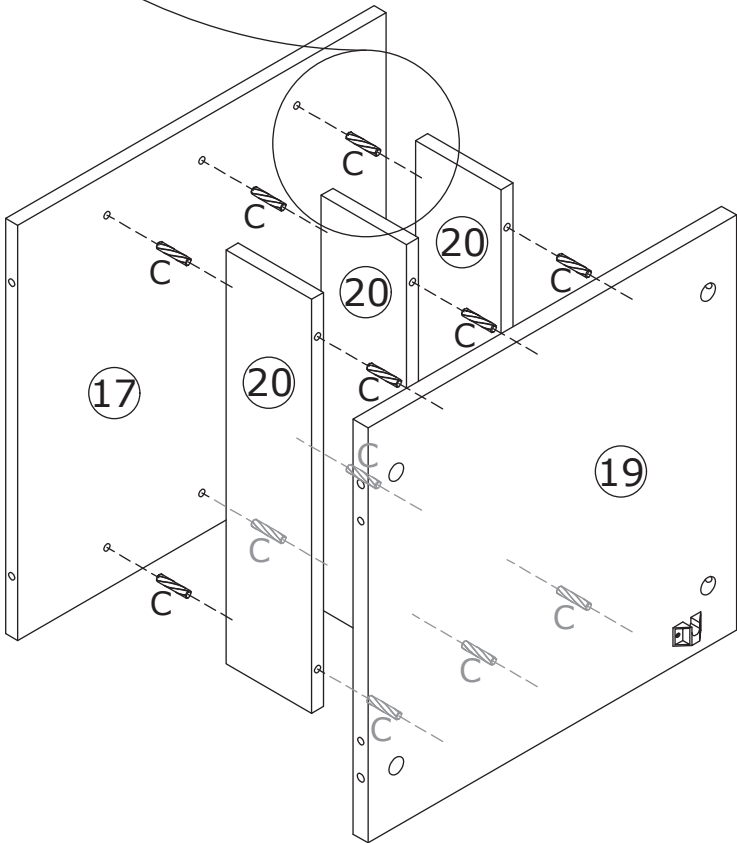
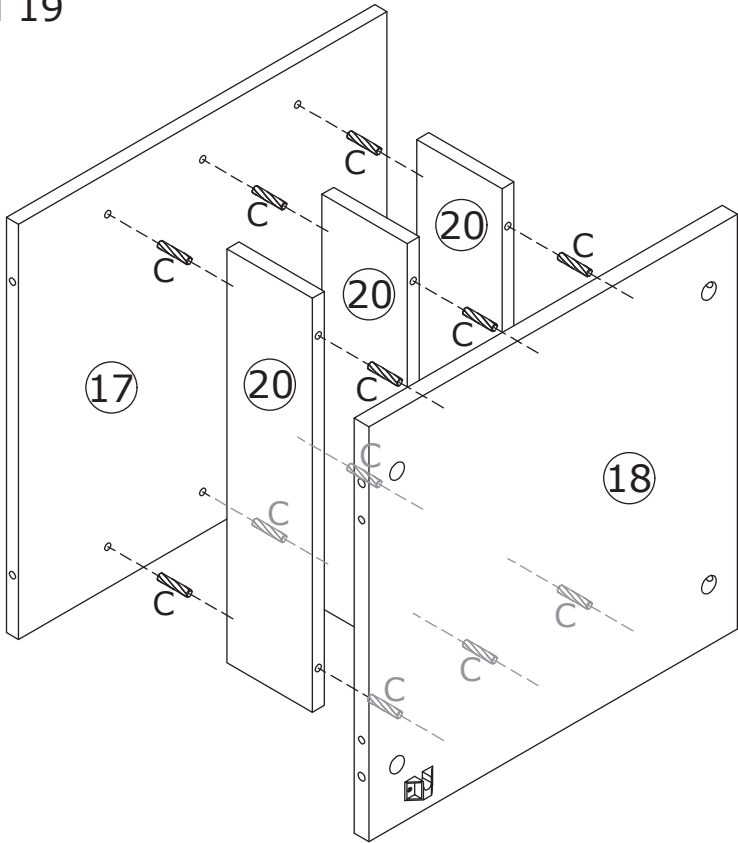
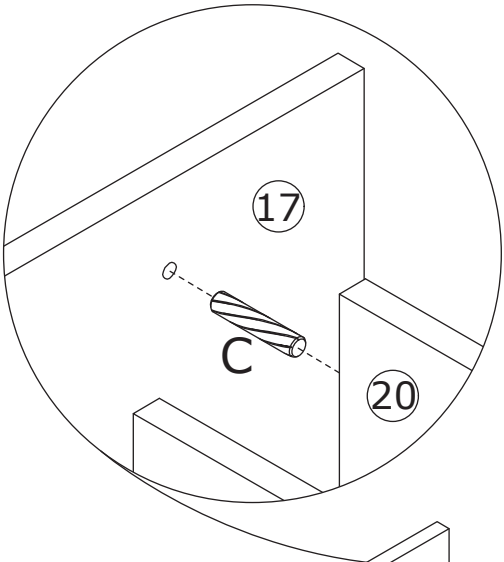
Insert the double-ended rod (A) into Panels 9 and 10 as shown.



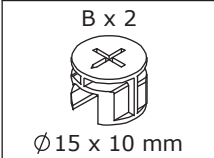
19



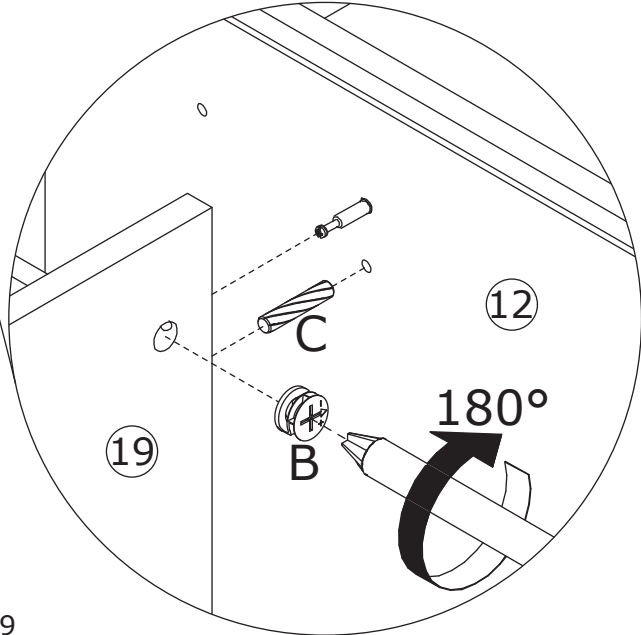
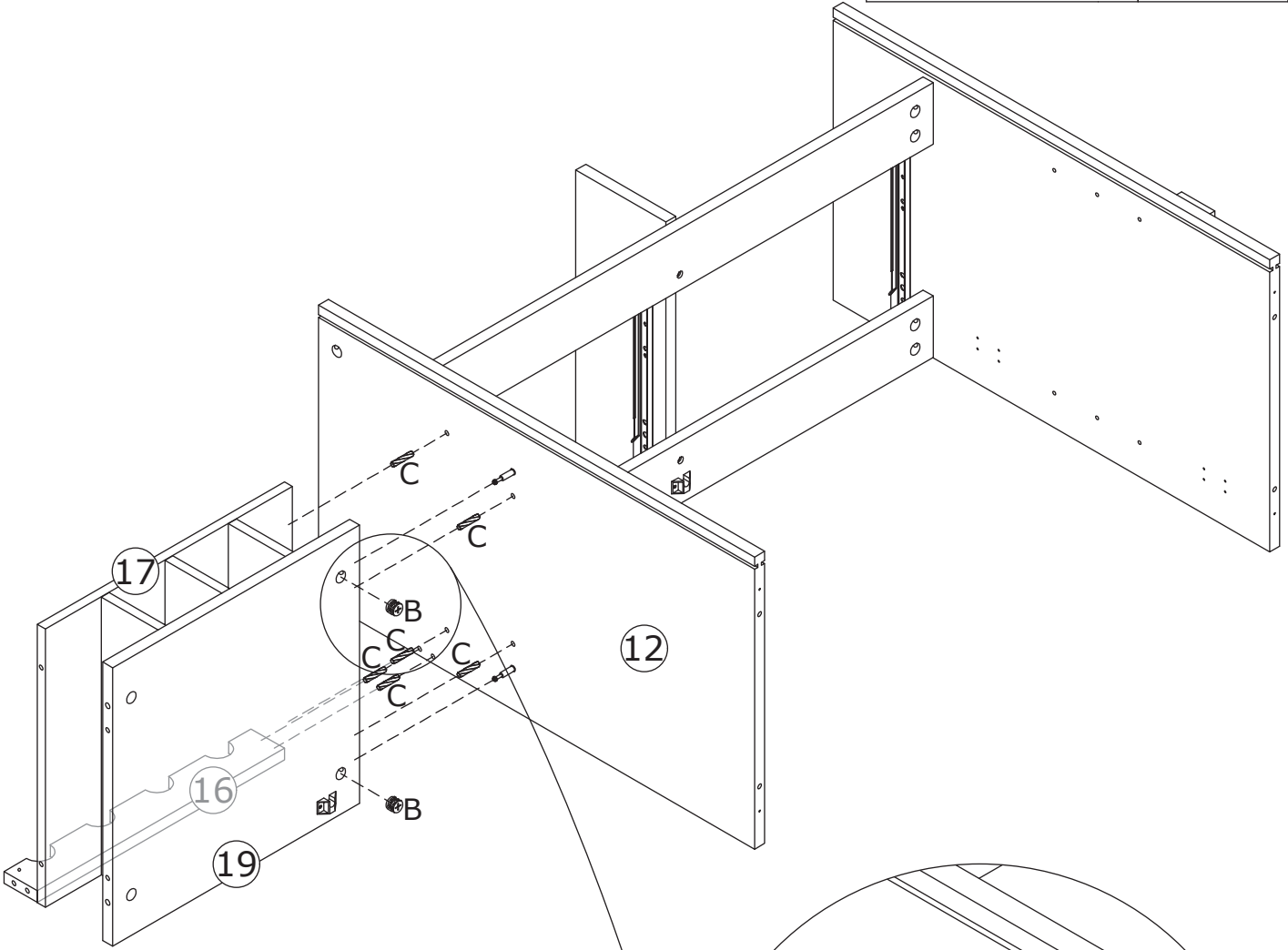
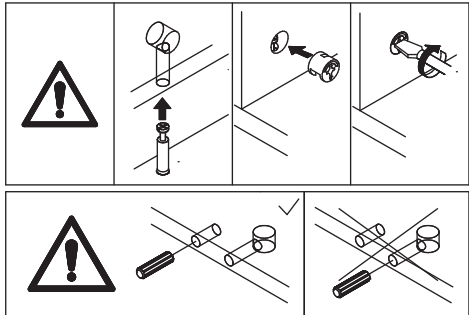
Connect Panels 20, 17, and 18 using dowels (C) as shown.
Connect Panels 20, 17, and 19 using dowels (C) as shown.



20



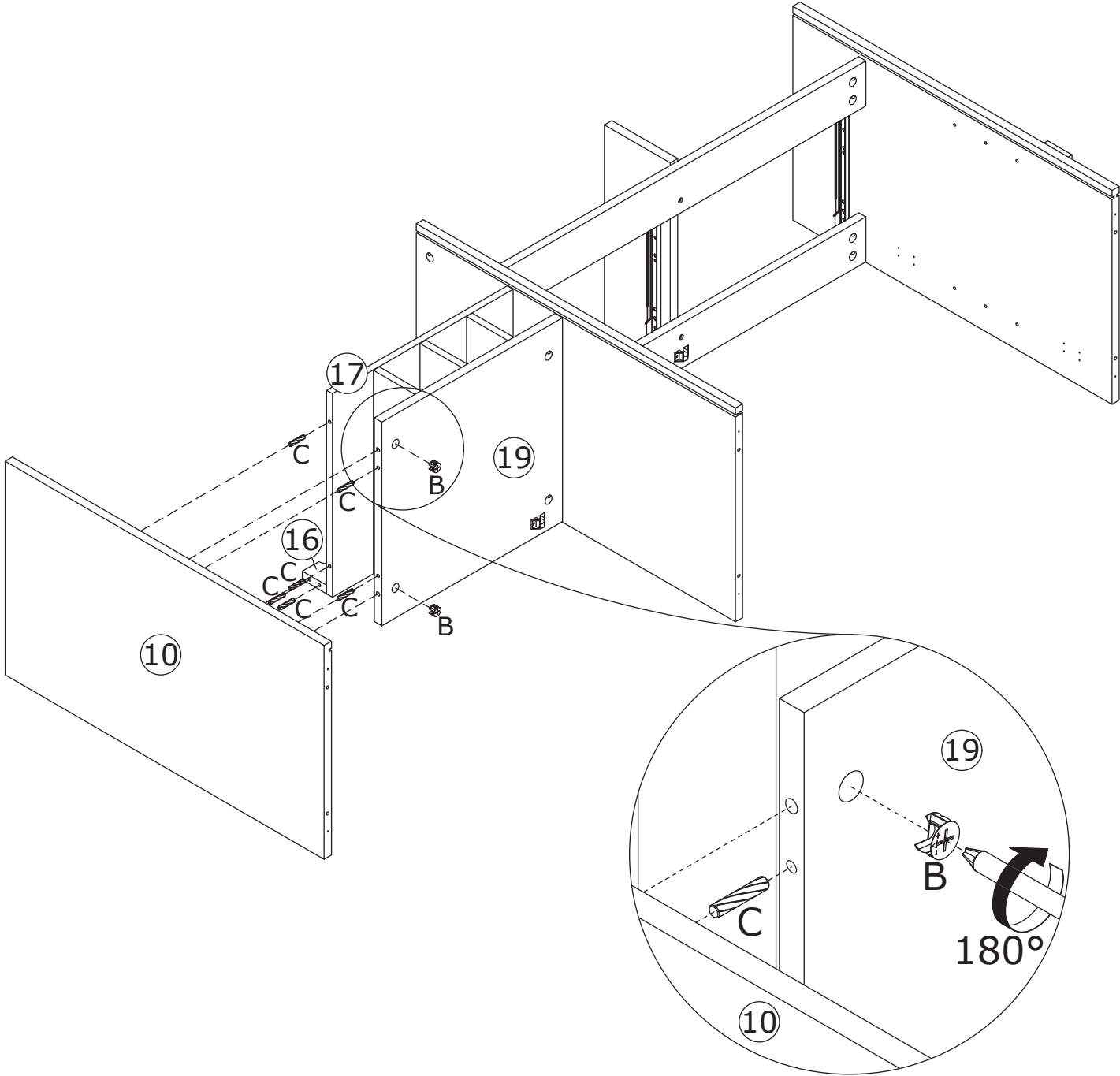
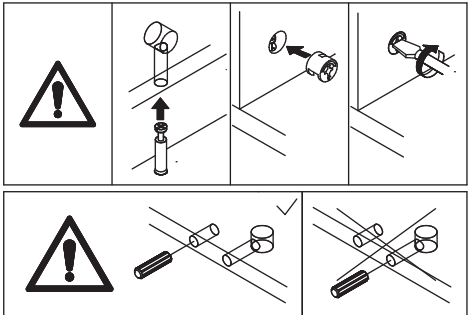
Connect Panels 12, 16, 17, and 19 using dowels (C), then insert the cam lock (B) into and tighten by rotating clockwise as shown.



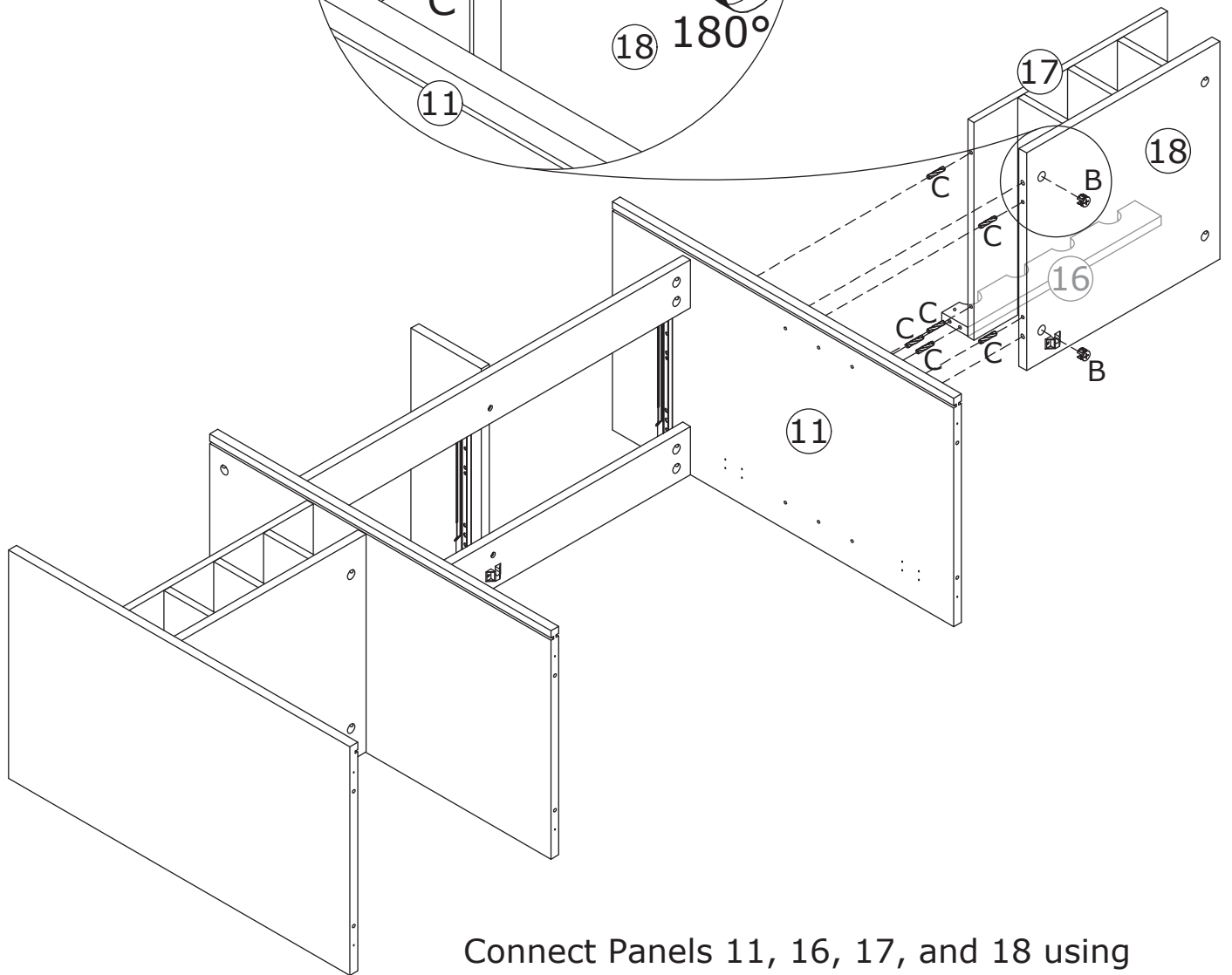
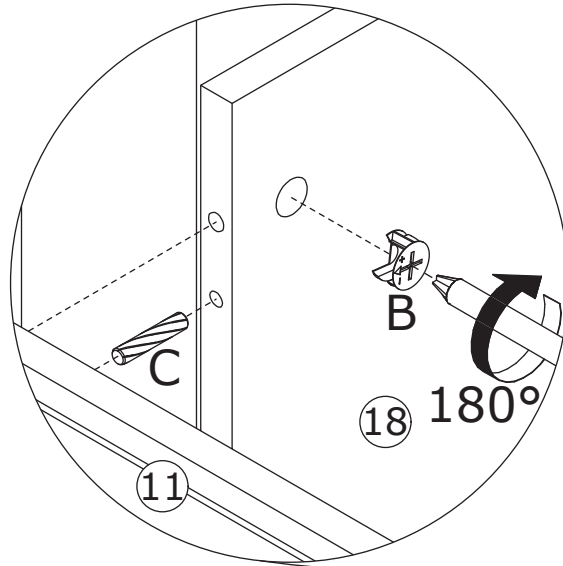
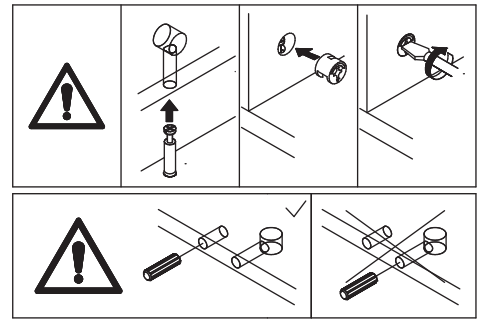
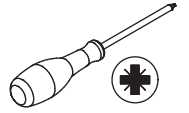
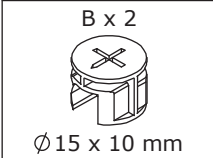
21



Connect Panels 10, 16, 17, and 19 using dowels (C), then insert the cam lock (B) into and tighten by rotating clockwise as shown.

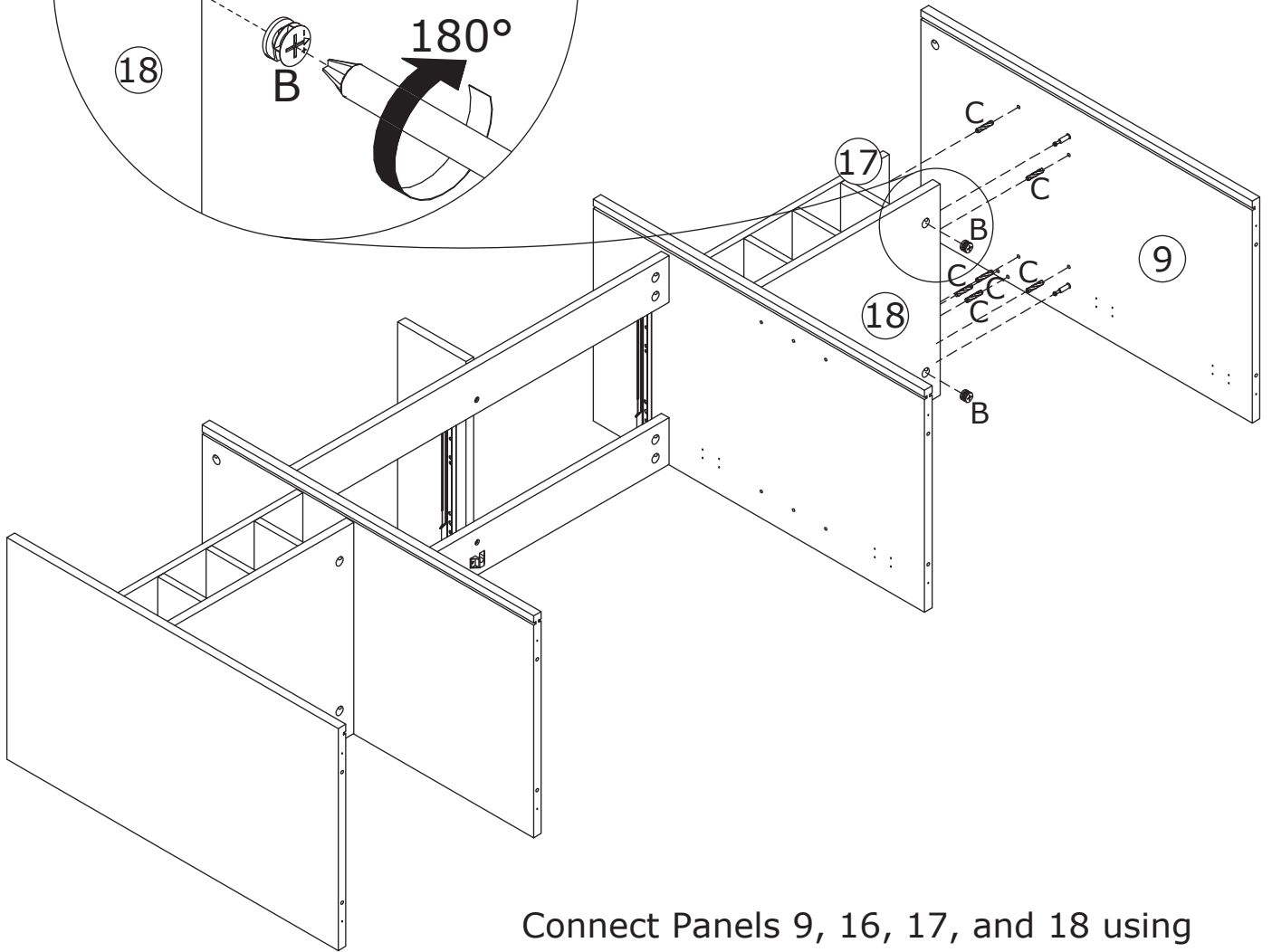
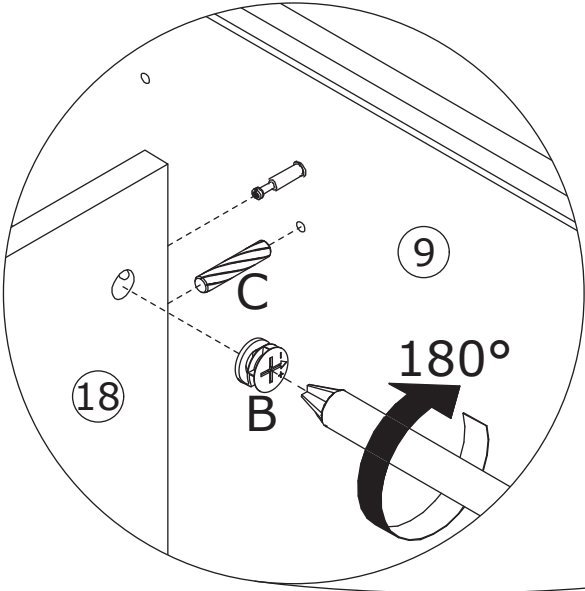
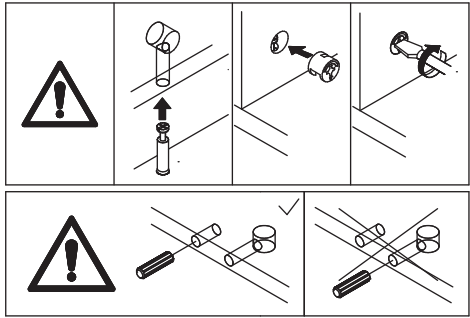
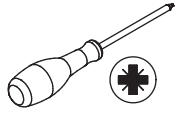
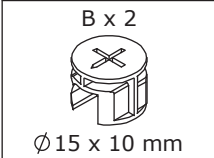


22



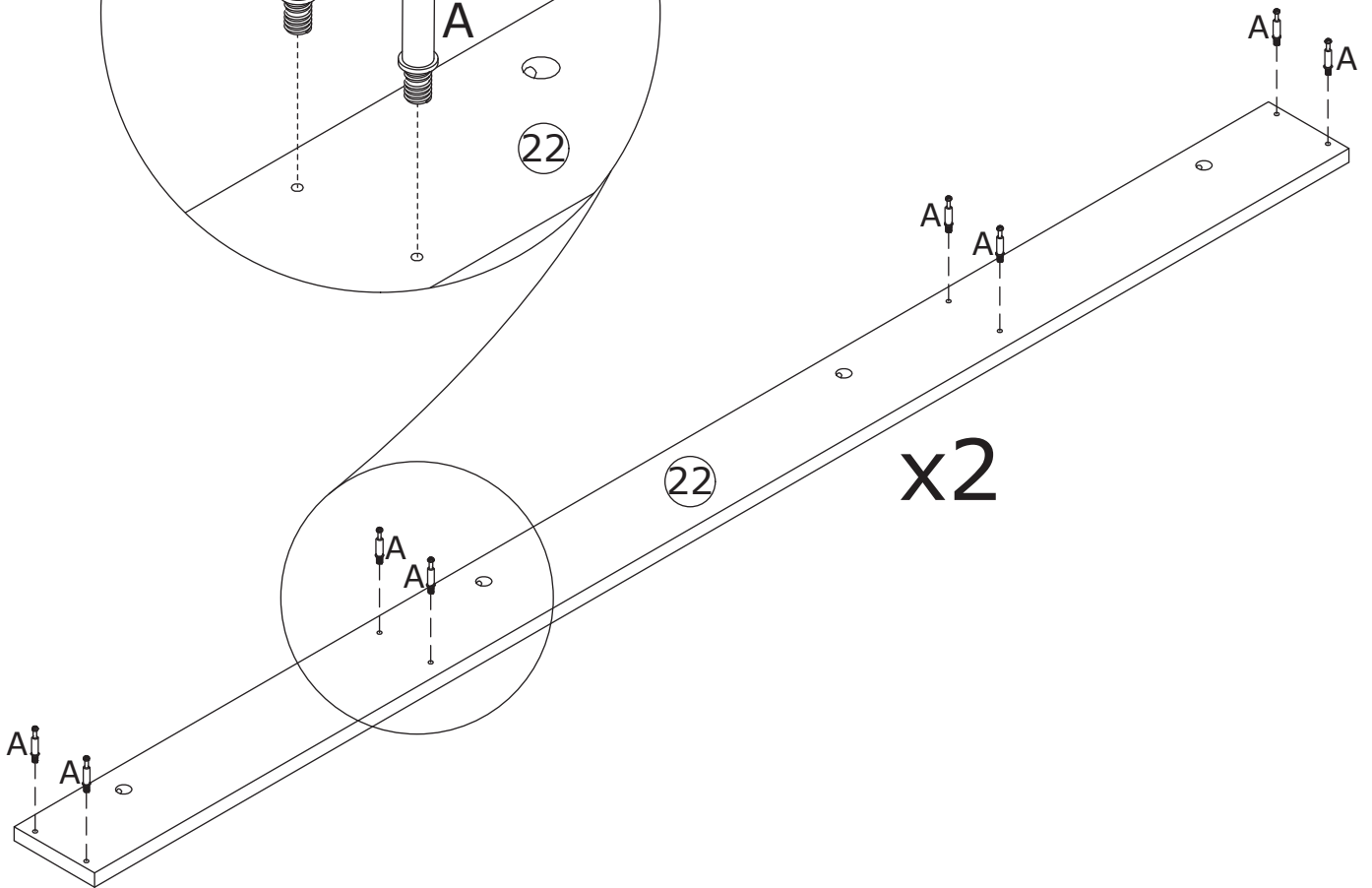
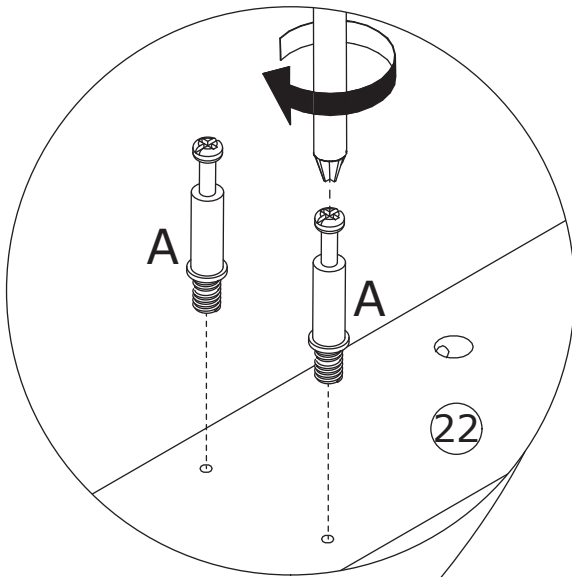
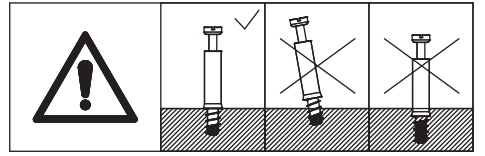
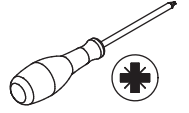
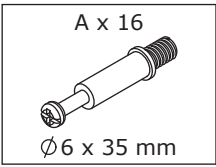
Connect Panels 11, 16, 17, and 18 using dowels (C), then insert the cam lock (B) into and tighten by rotating clockwise as shown.

23



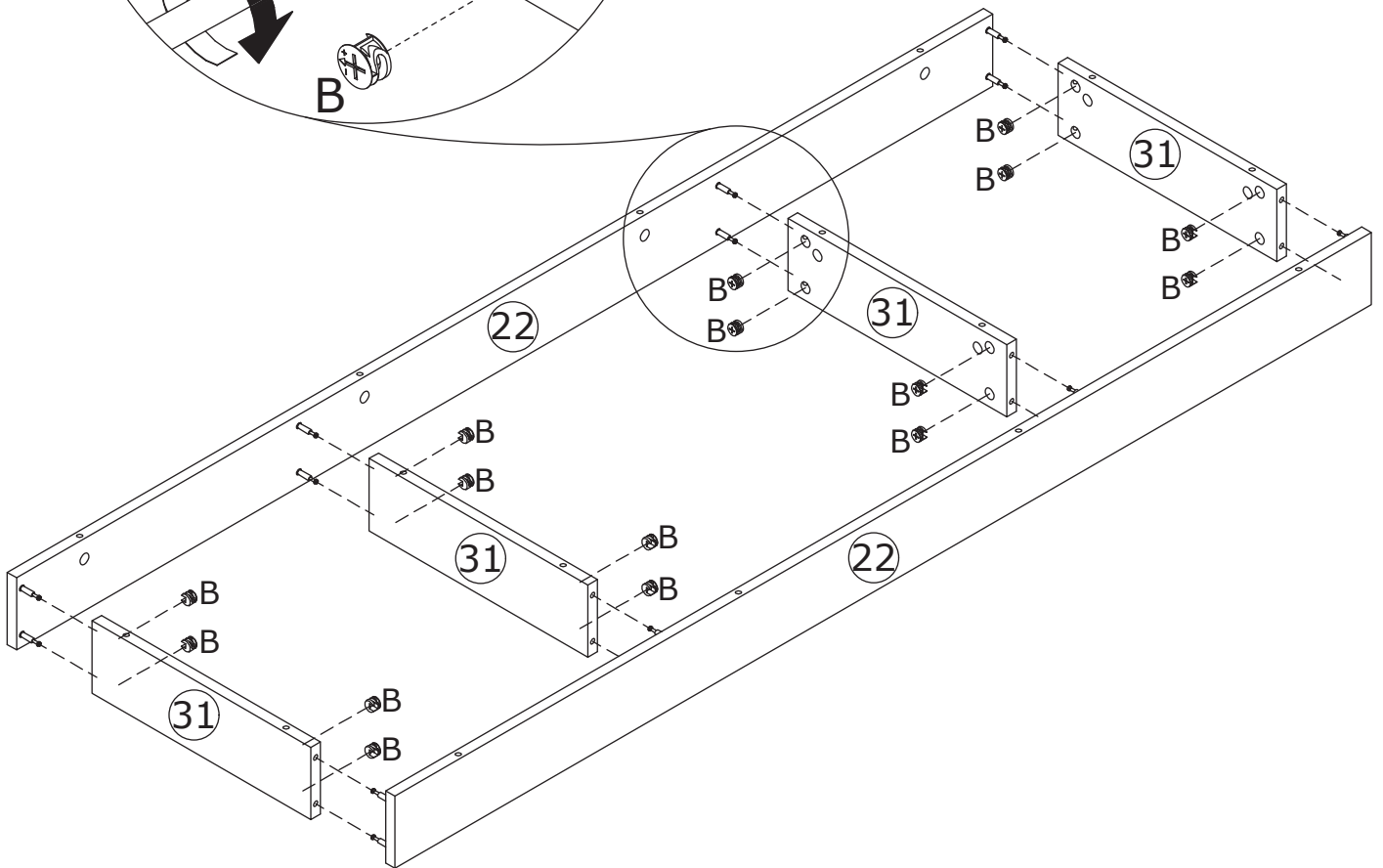
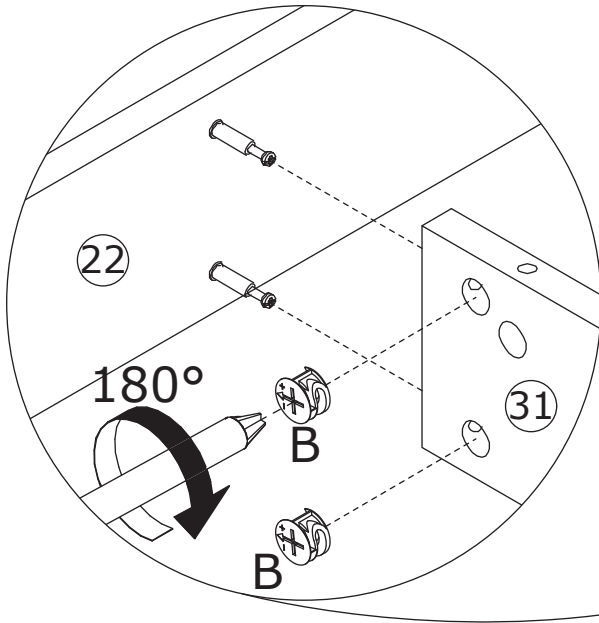
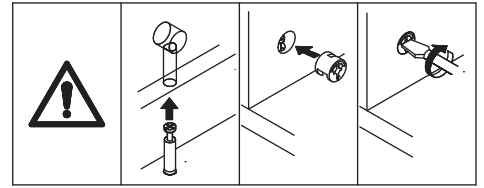
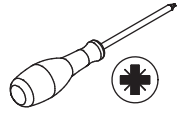
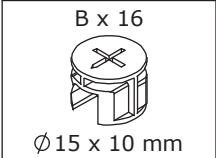
Connect Panels 9, 16, 17, and 18 using dowels (C), then insert the cam lock (B) into and tighten by rotating clockwise as shown.

24



Insert the double-ended rod (A) into Panel 22 as shown.

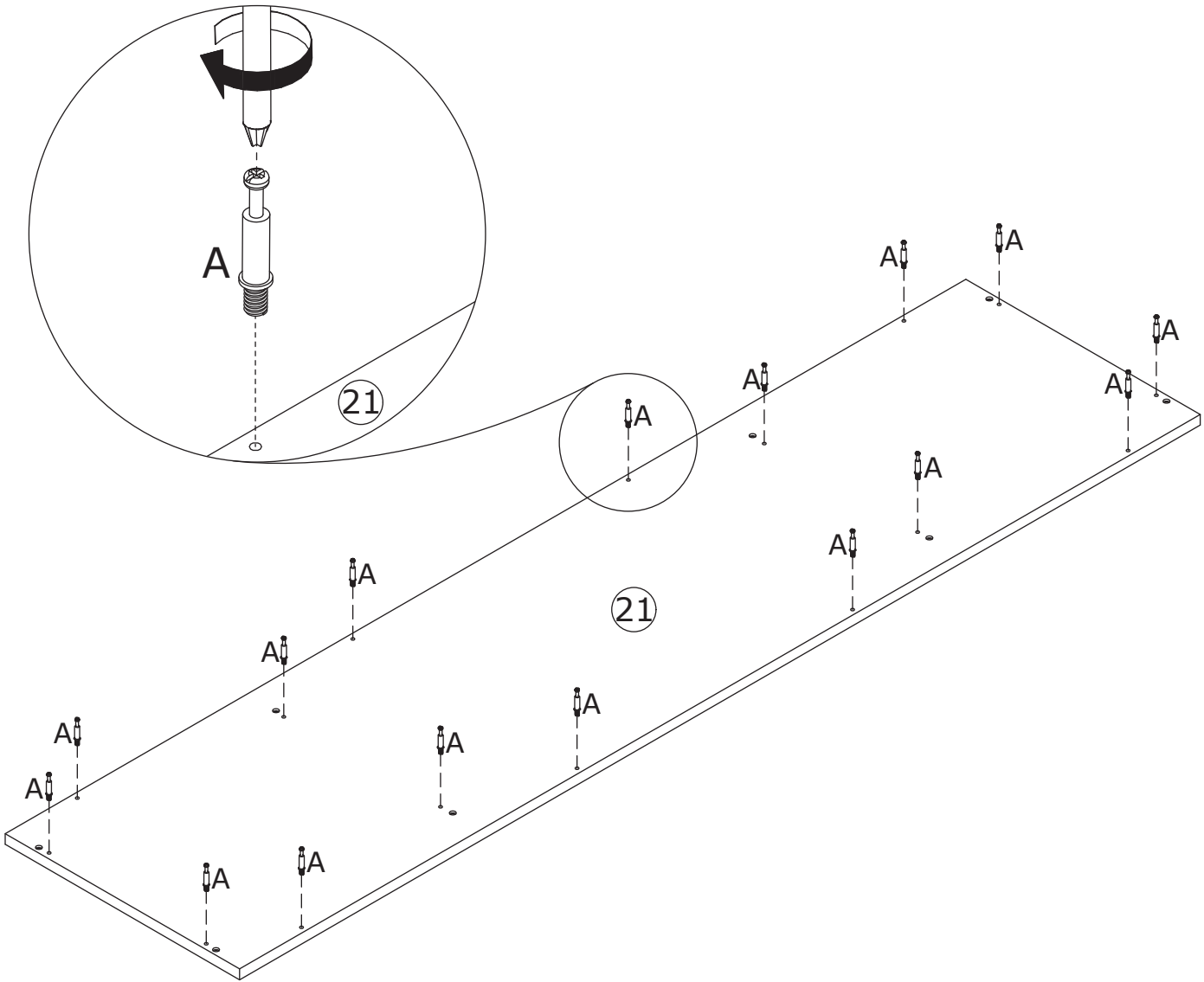
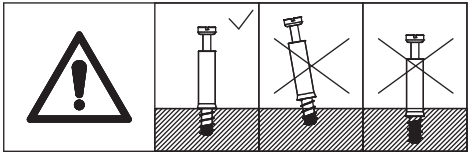
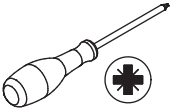
25



Connect Panels 22 and 31, then insert the cam lock (B) into and tighten by rotating clockwise as shown.

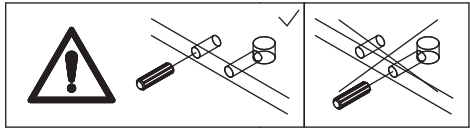
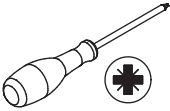
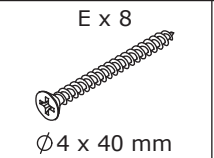
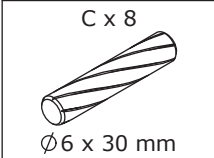
26

A x 16
Ø6 x 35 mm

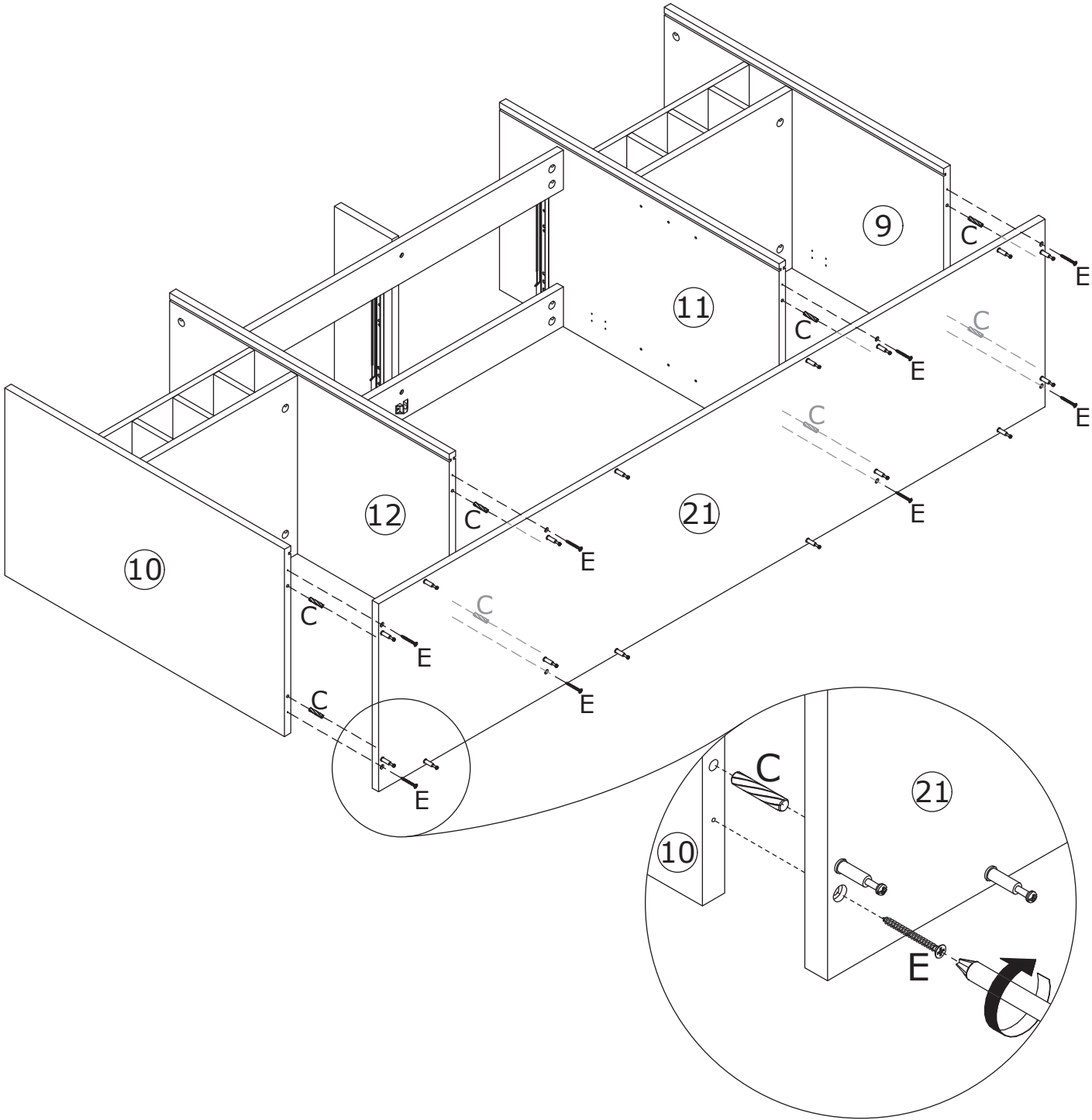


Insert the double-ended rod (A) into the corresponding holes of Panel 21 as shown.

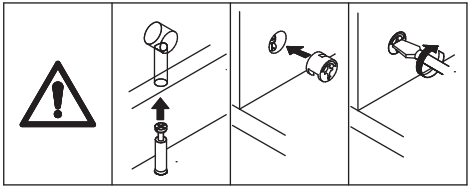
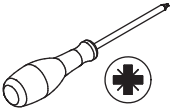
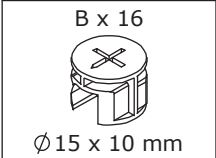
27



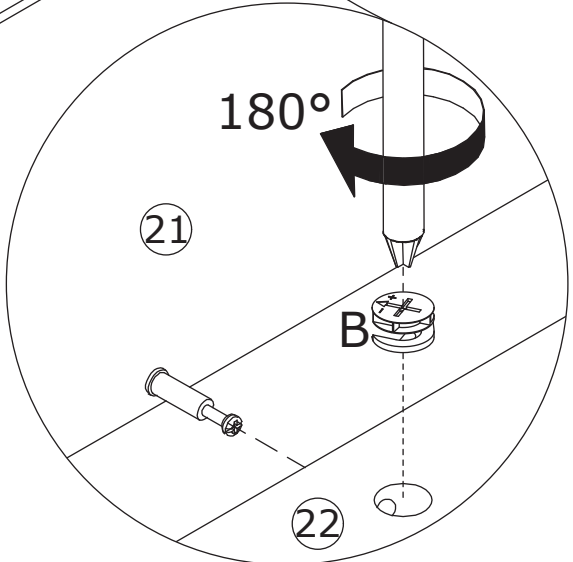
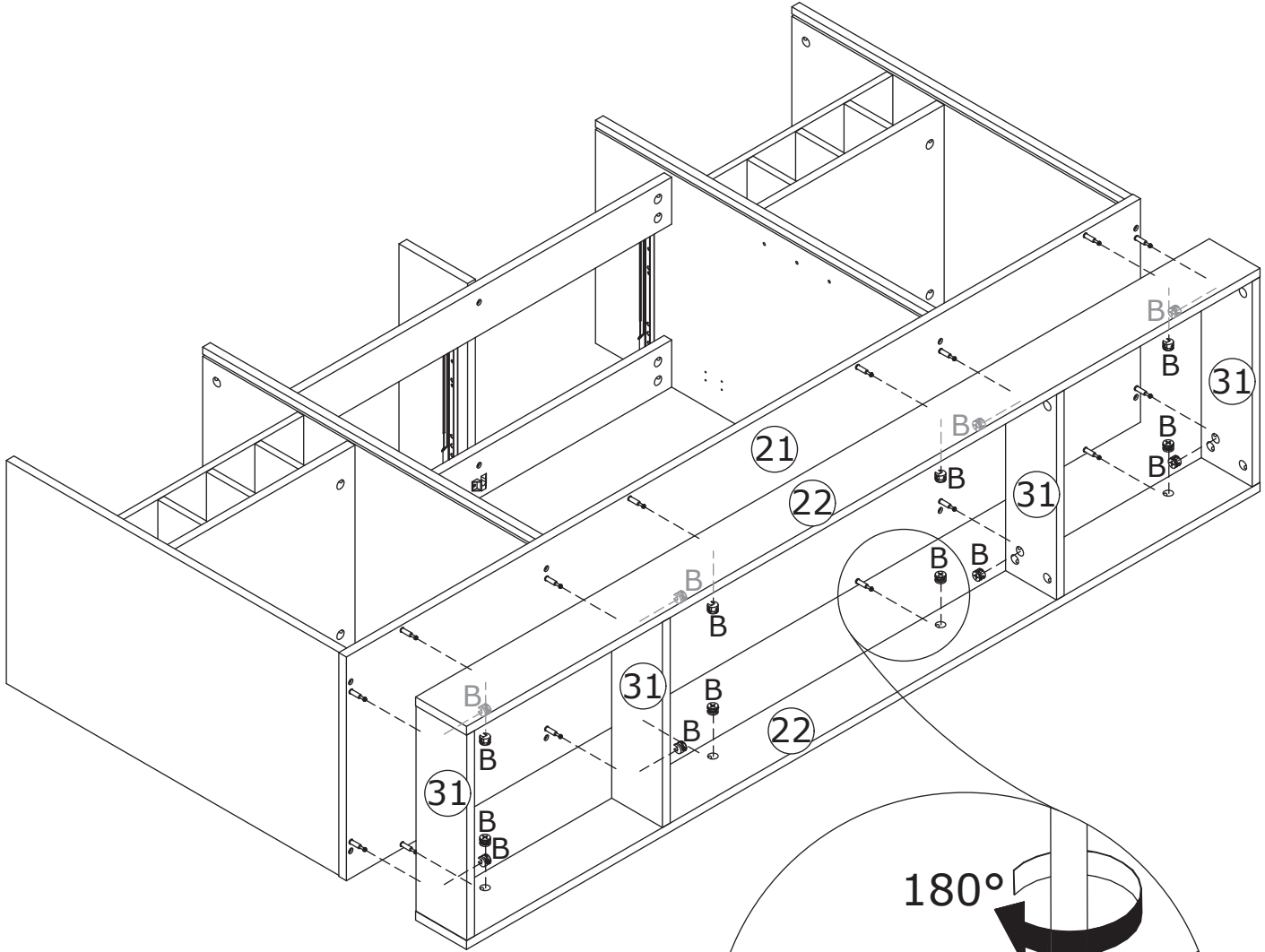
Connect Panels 21, 9, 10, 11, and 12 using dowels (C), then secure with screws (E) as shown.



28

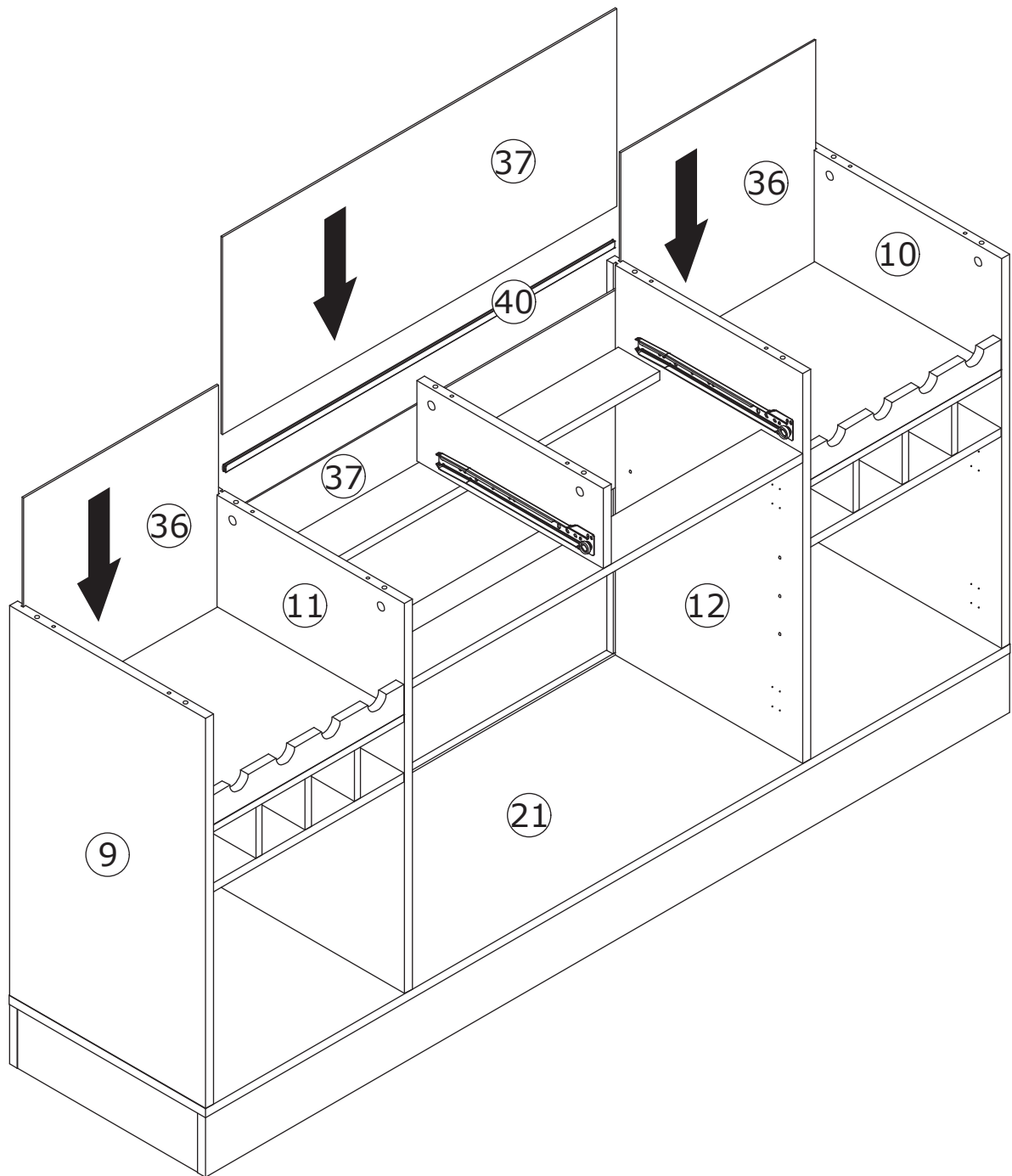


Connect Panels 21, 22, and 31, then insert the cam lock (B) into and tighten by rotating clockwise as shown.

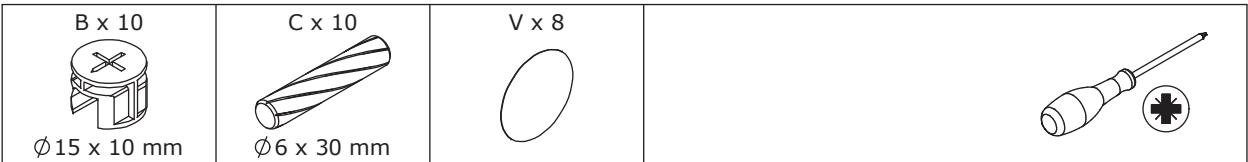


29

Insert back Panels 36 and 37 and plank 40 along the available grooves.

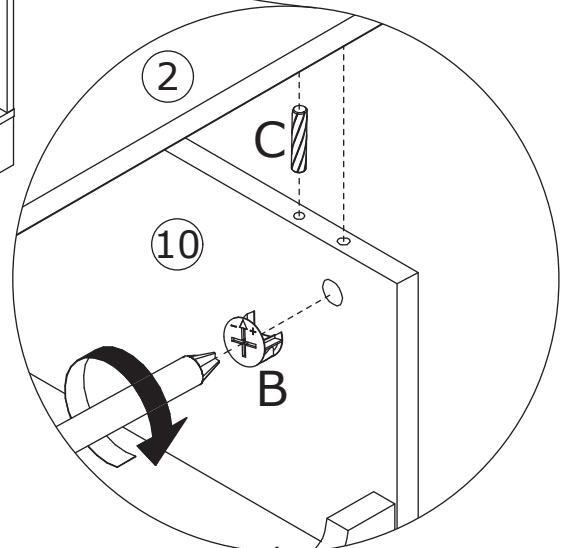
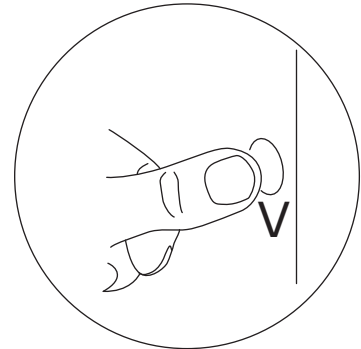
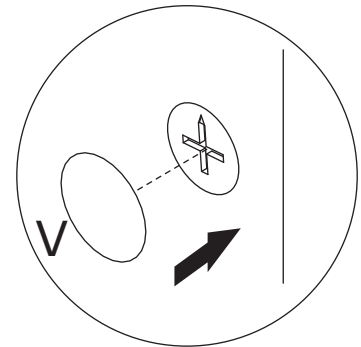
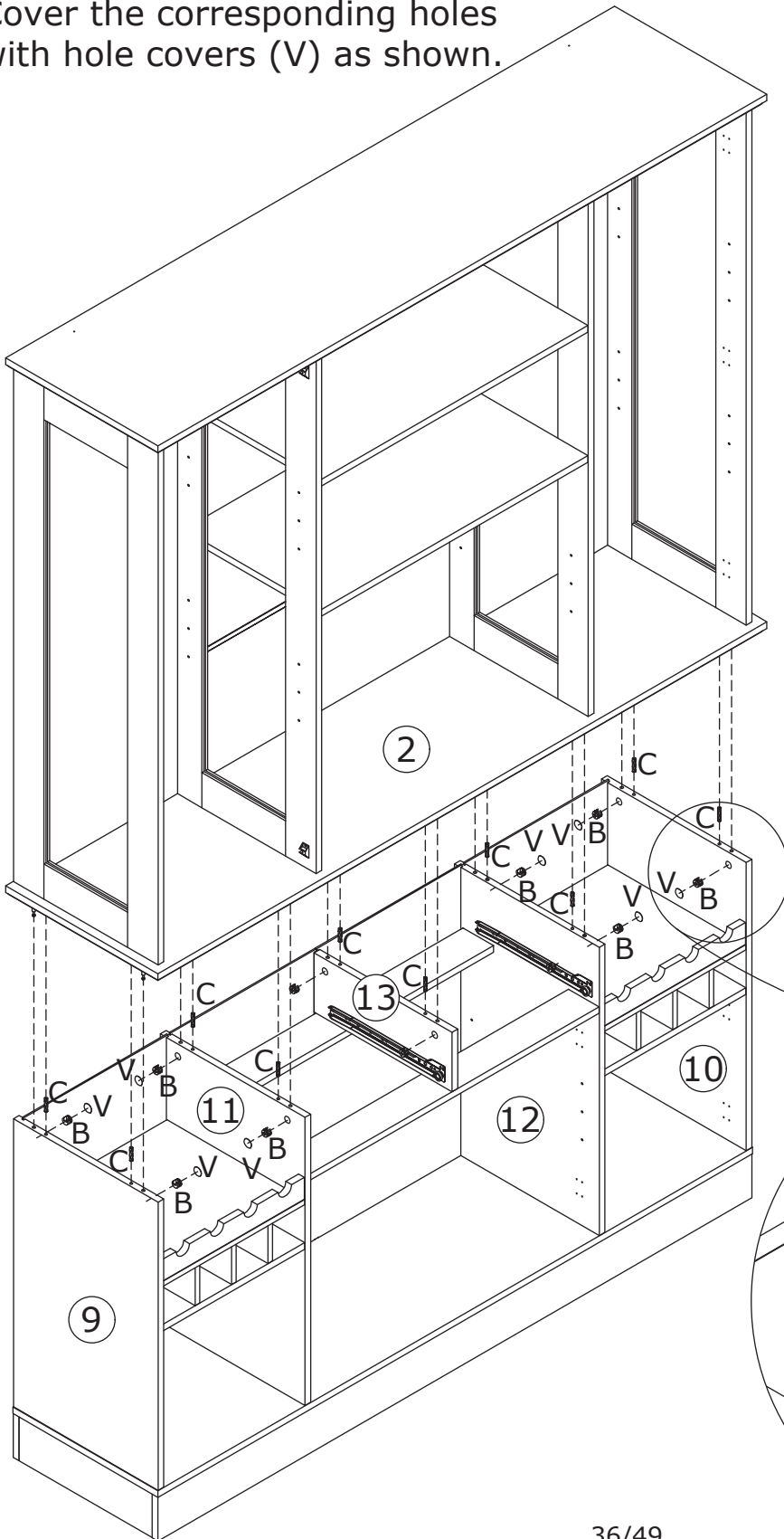
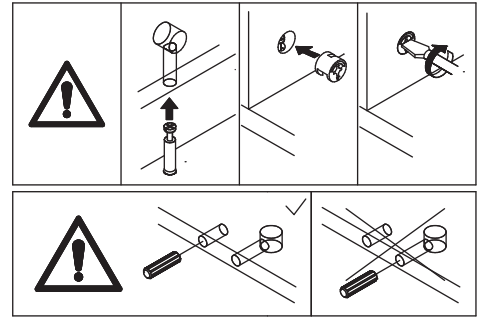


30

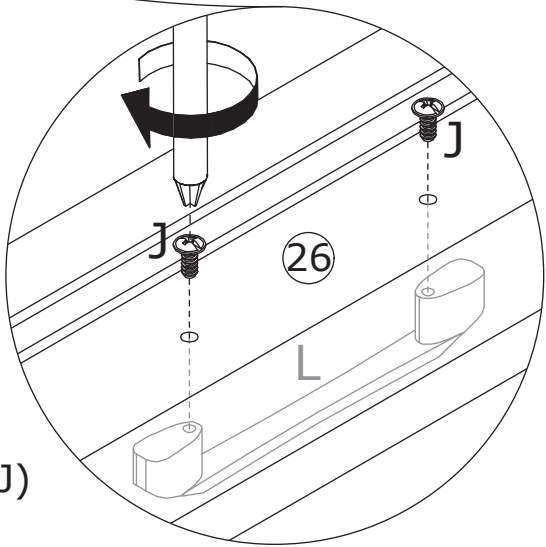
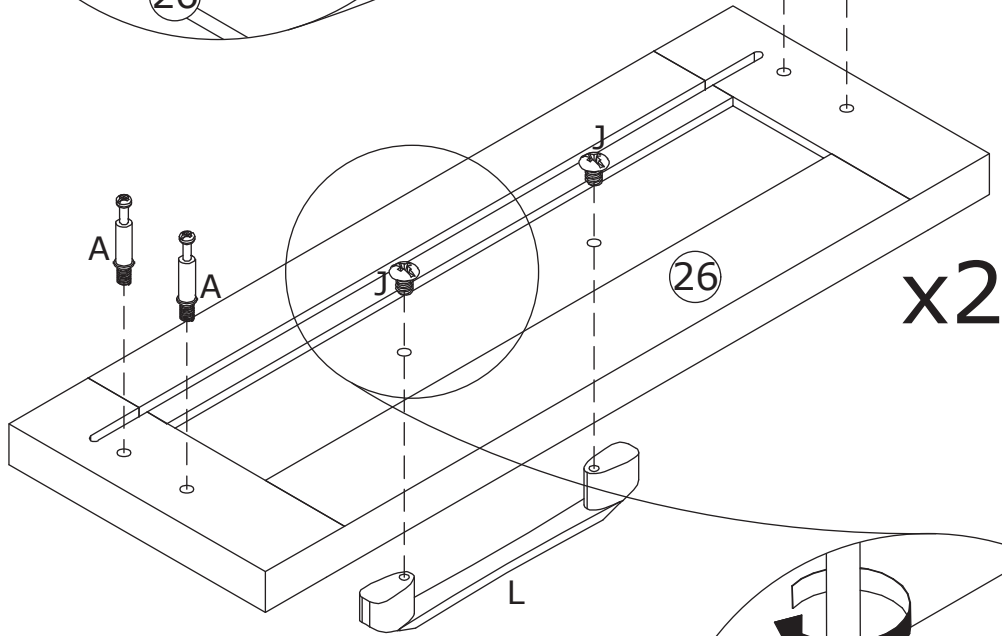
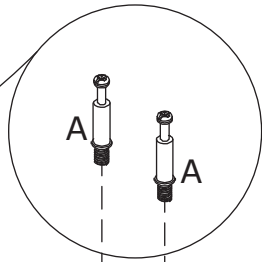
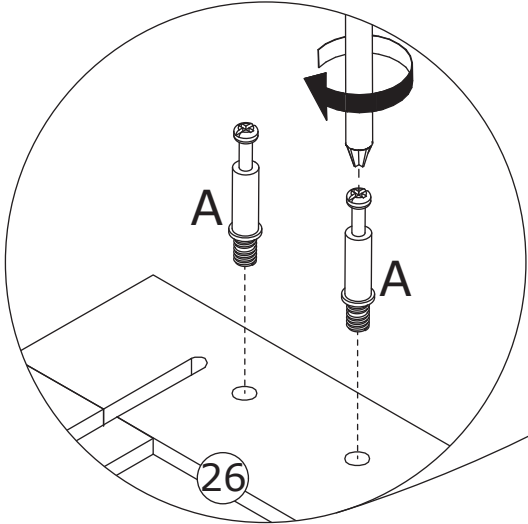
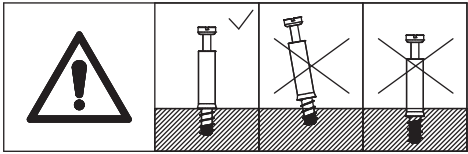
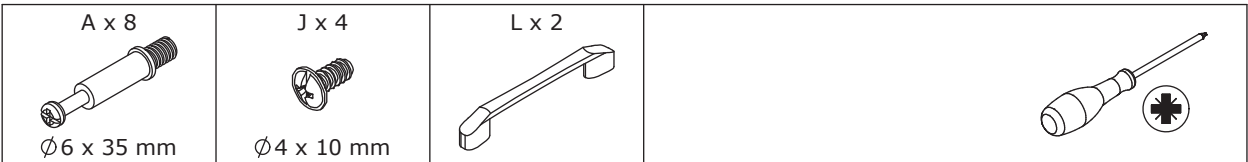


Connect Panels 2, 9, 10, 11, 12, and 13 using dowels (C), then insert the cam lock (B) into Panels 9, 10, 11, 12, and 13 and tighten by rotating clockwise.

Cover the corresponding holes with hole covers (V) as shown.

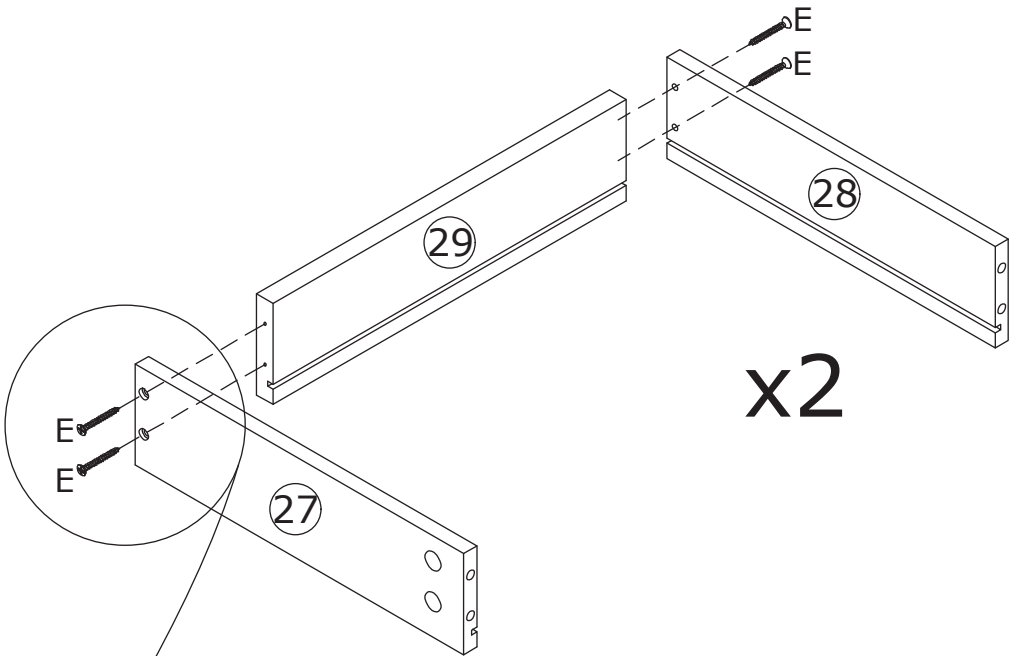
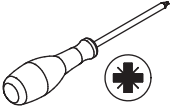


31



Insert the double-ended rod (A) into Panel 26.
Then, secure handle (L) using screws (J) as shown.

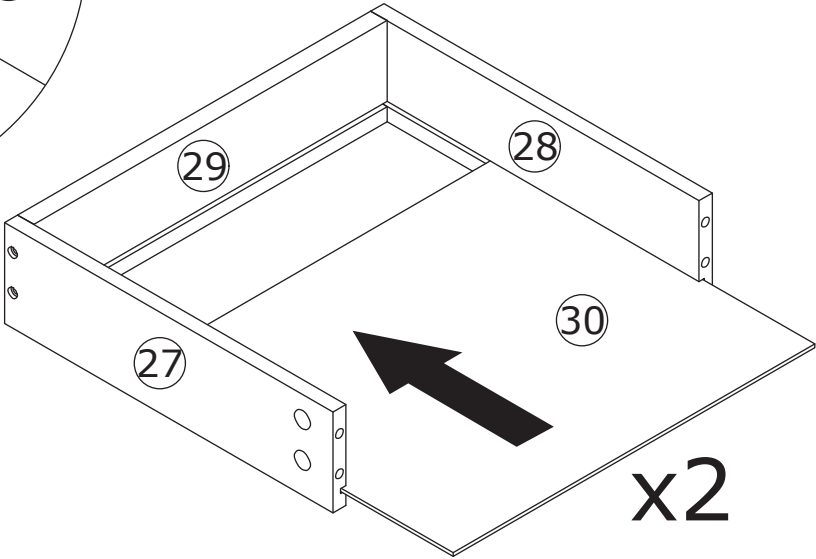
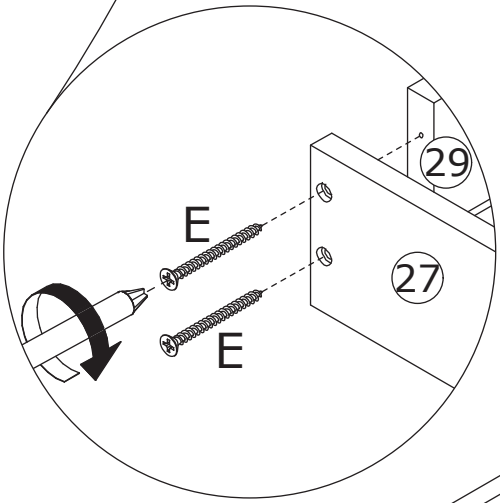
32



x2

Connect Panels 29, 27, and 28, then secure with screws (E) as shown.

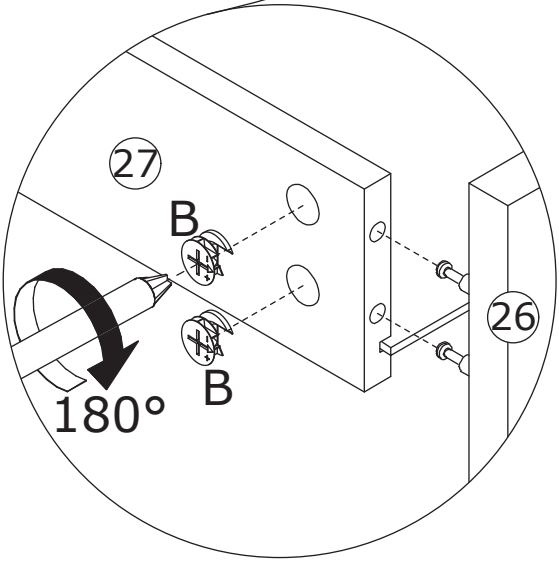
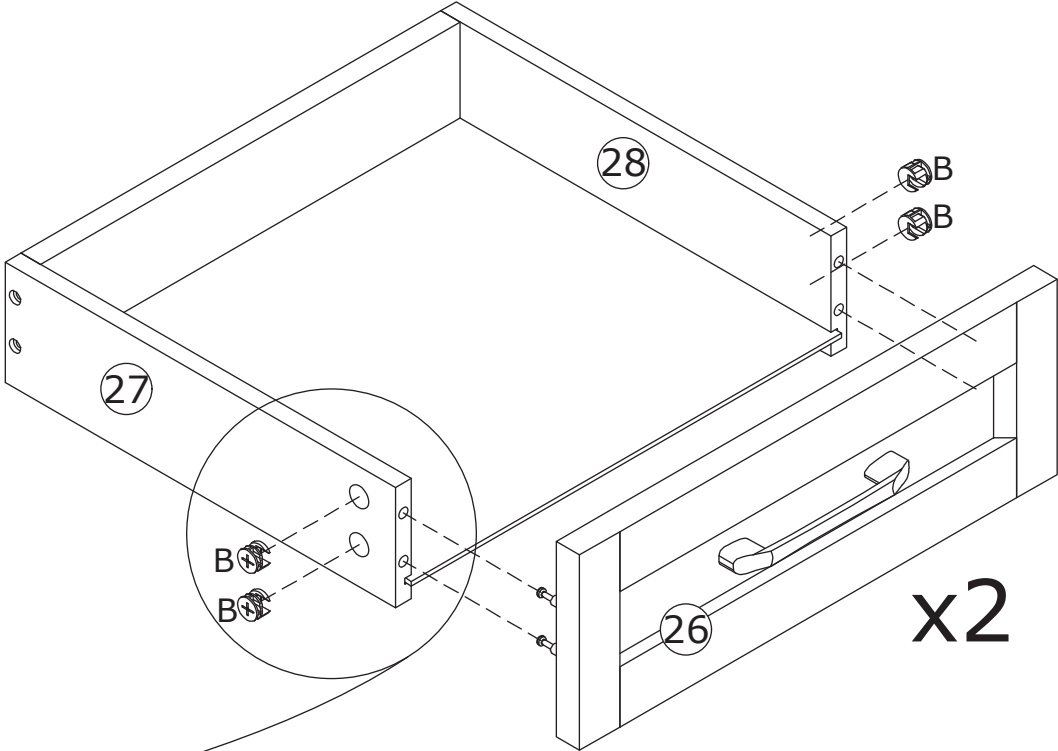
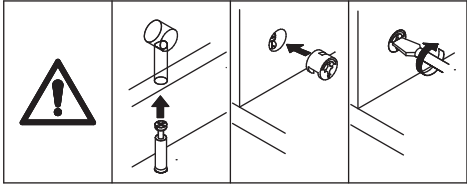
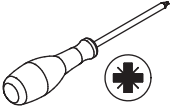
Insert bottom Panel 30 along available grooves as shown.



x2

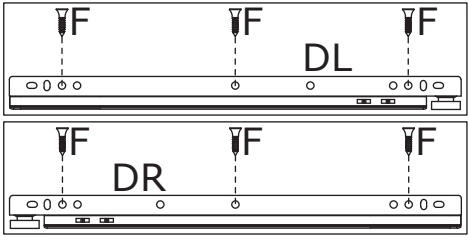
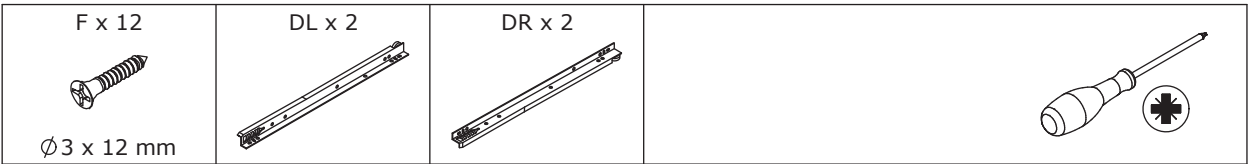
33

B x 8
Ø 15 x 10 mm

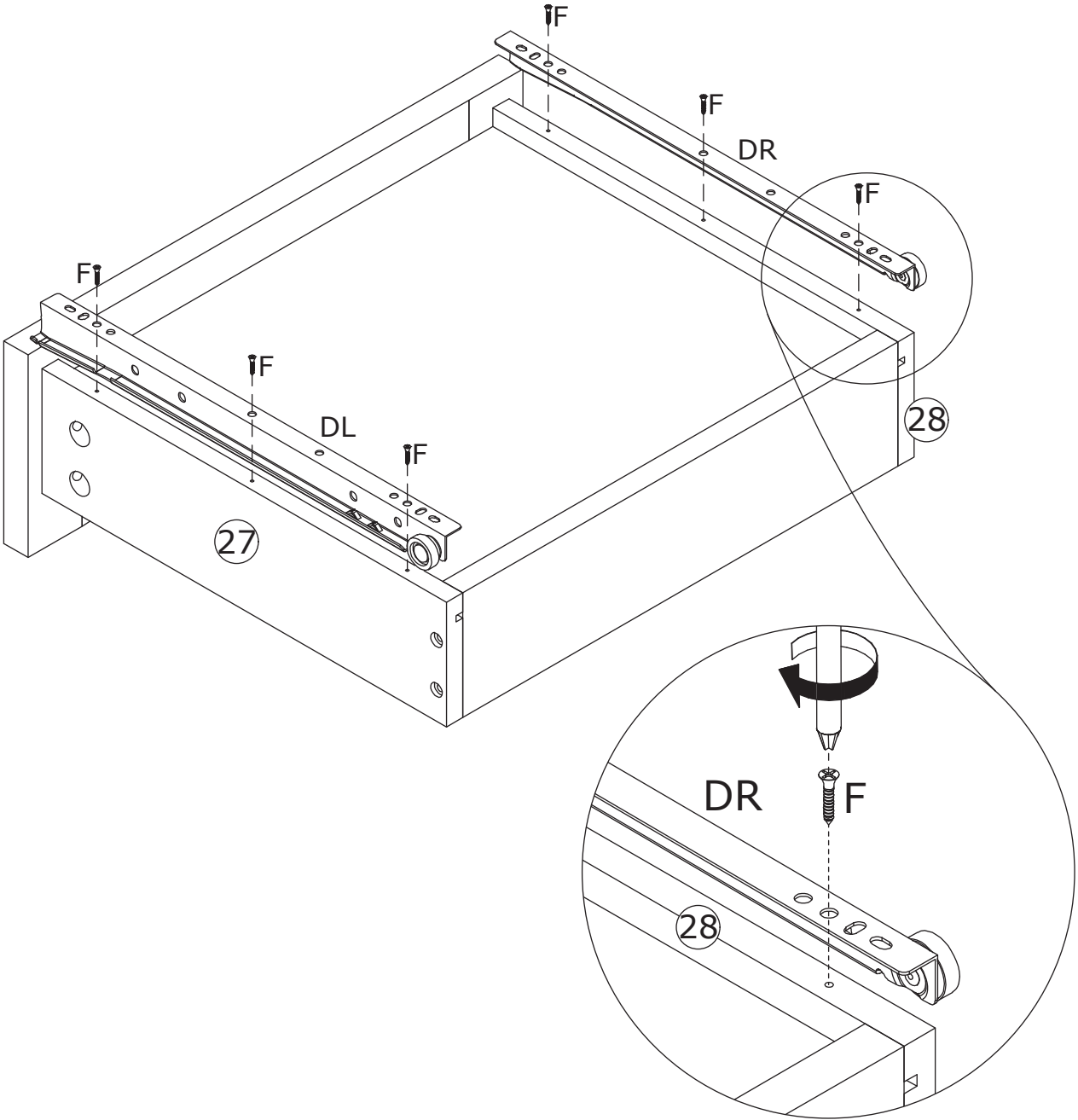


Connect Panels 26, 27, and 28, then insert the cam lock (B) into and tighten by rotating clockwise as shown.

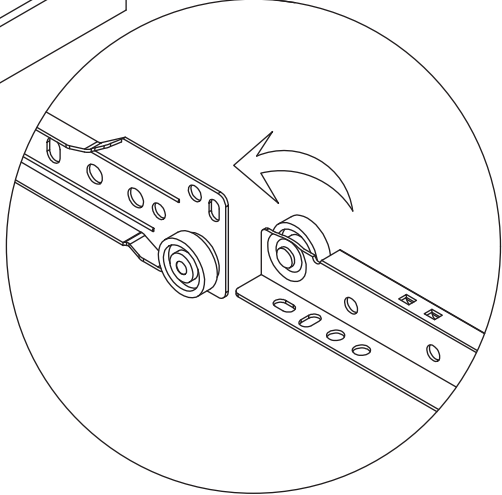
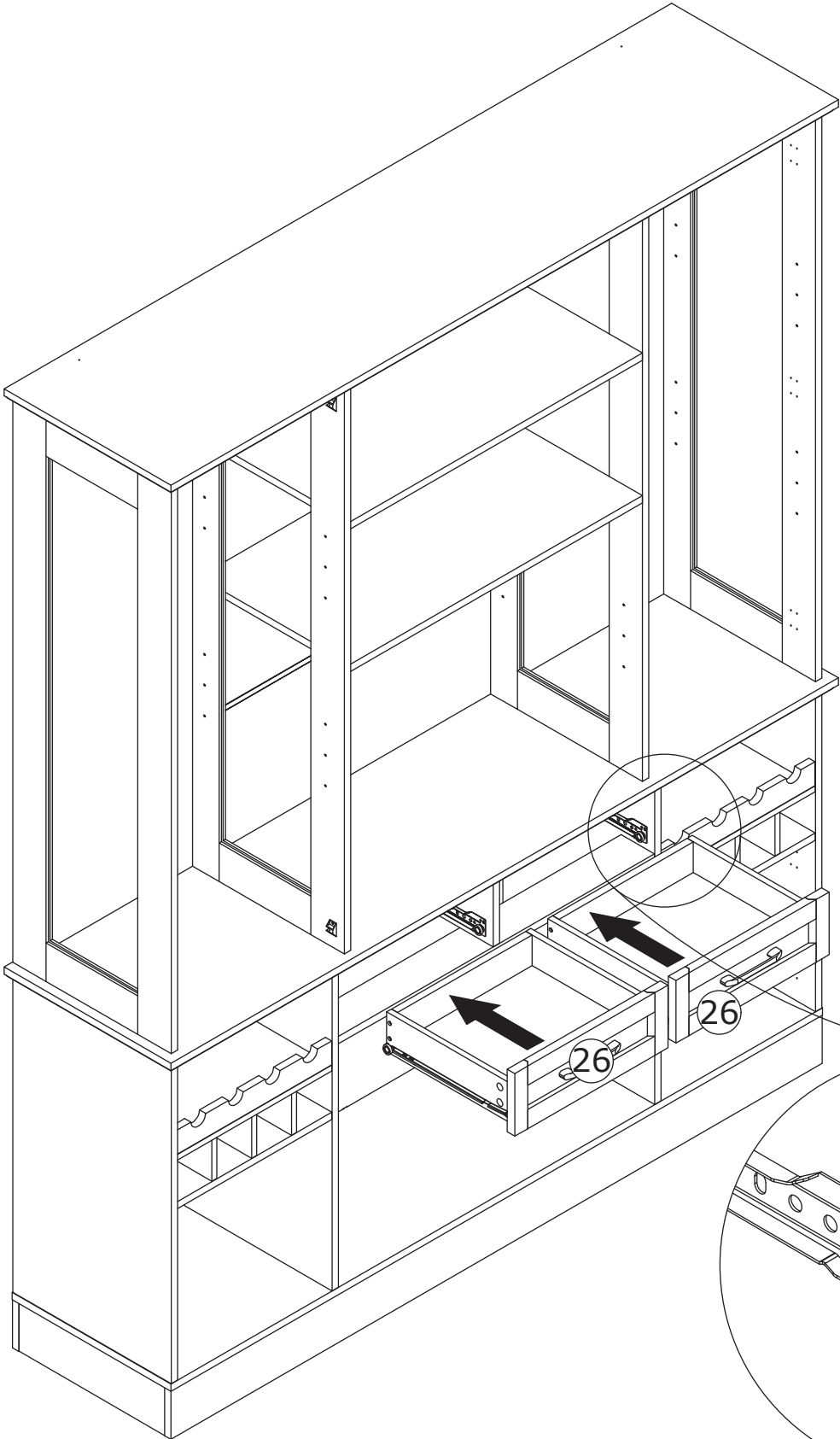
34



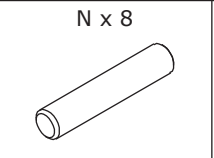
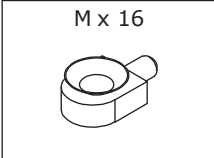
Secure track (DL) and (DR) to Panels 27 and 28 using screws (F) as shown.



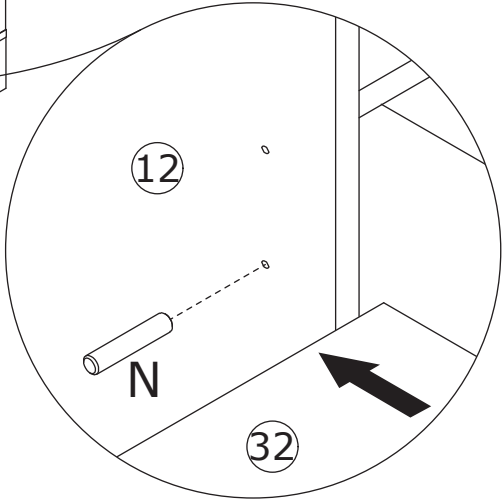
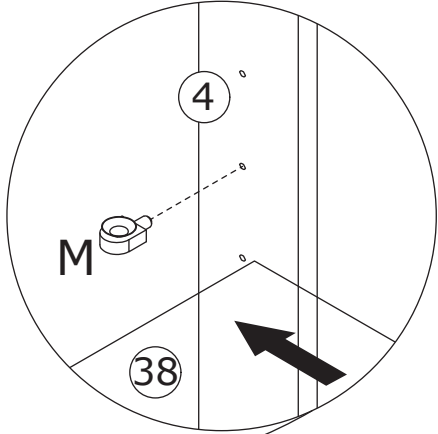
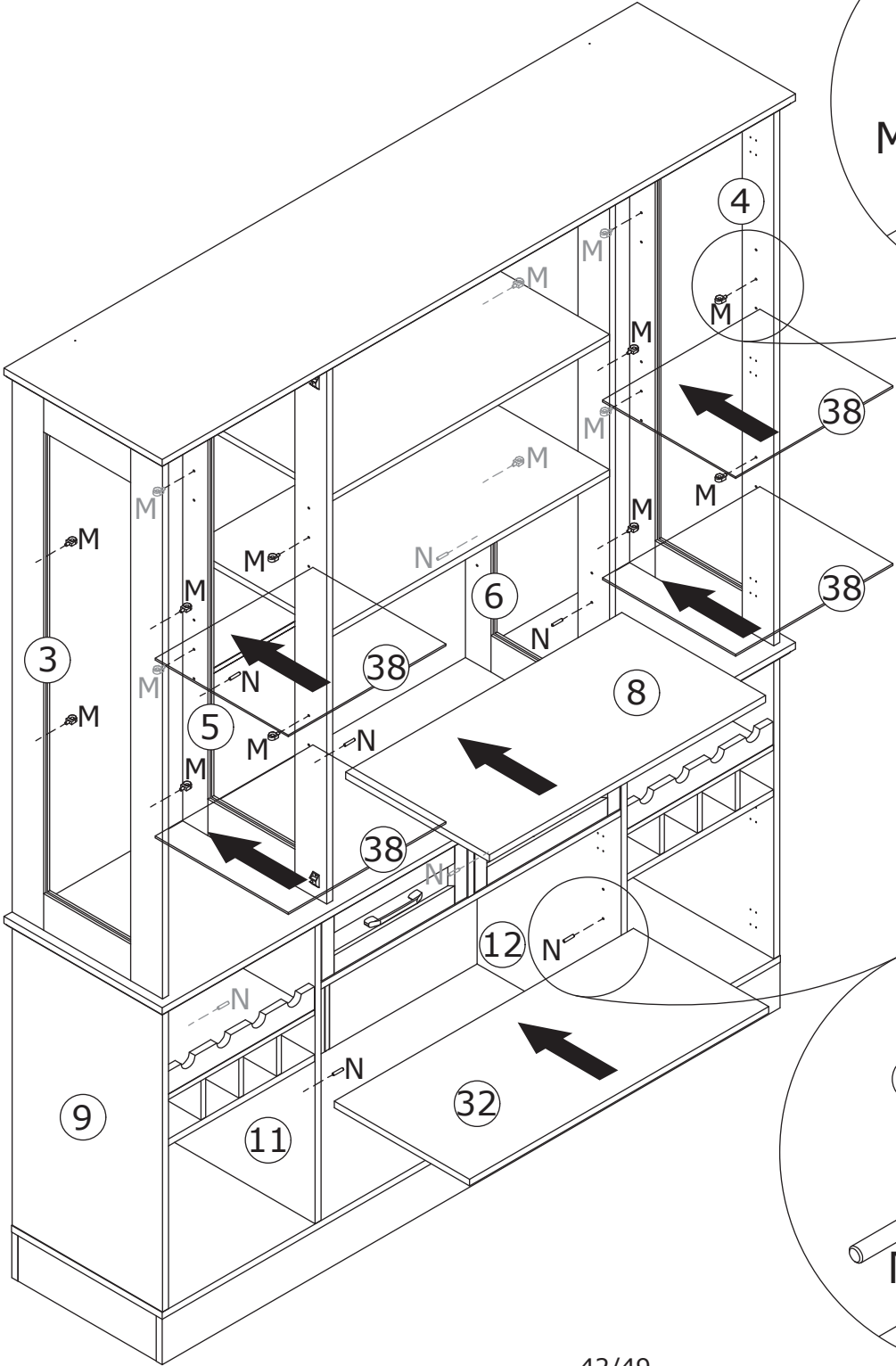
35




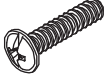
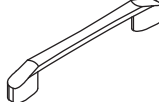

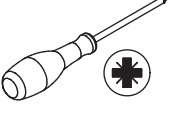
36

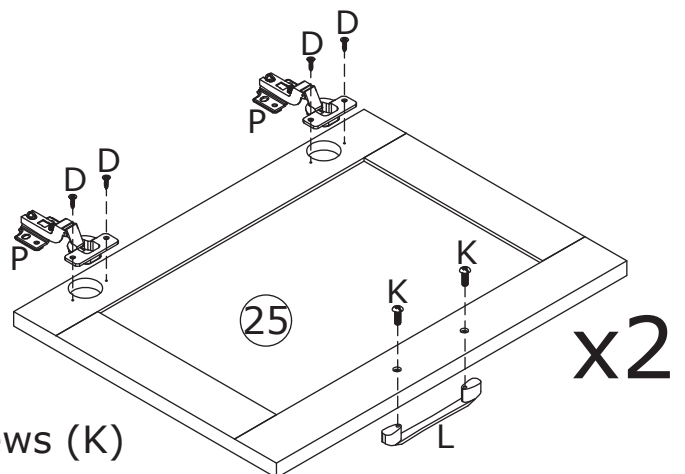
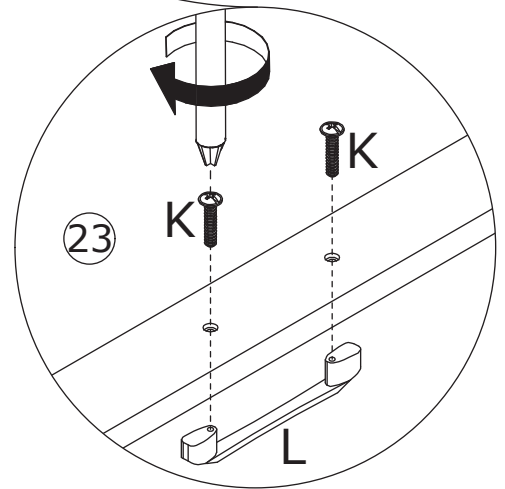
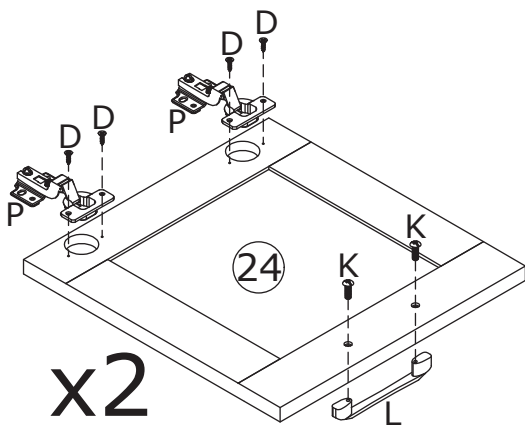
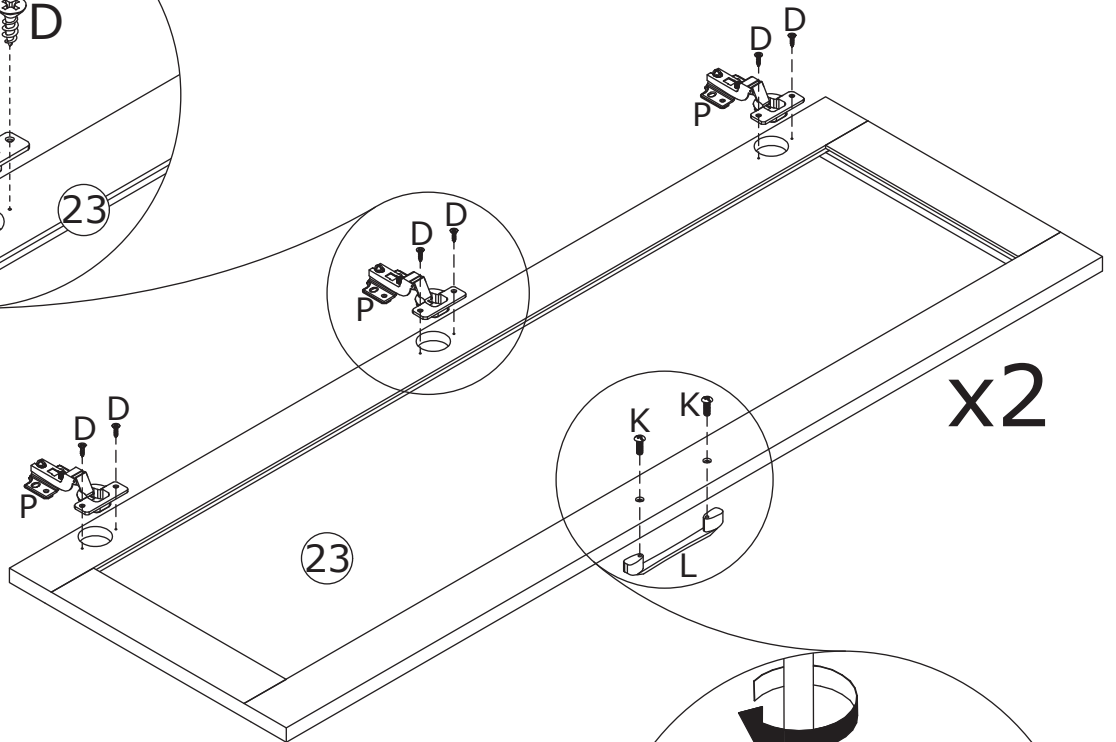
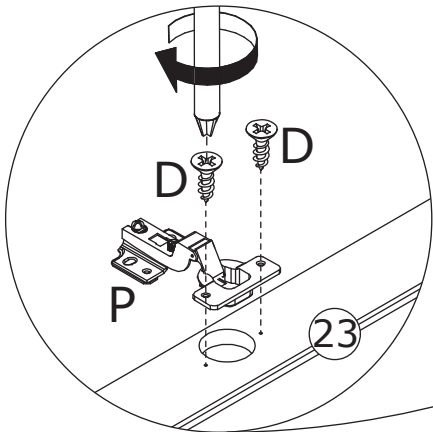


Insert shelf supports (M) into the corresponding holes of Panels 3, 4, 5, and 6.
Then, insert shelf supports (N) into the corresponding holes of Panels 5, 6, 11, and 12.
Finally, place shelves 8, 32, and 38 inside the cabinet as shown.



37

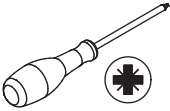
D x 28  Ø4 x 14 mm	K x 12  Ø4 x 20 mm	L x 6 	P x 14 	
-----------------------------------------------------------------------------------------------------------	-----------------------------------------------------------------------------------------------------------	--------------------------------------------------------------------------------------------	----------------------------------------------------------------------------------------------	-------------------------------------------------------------------------------------



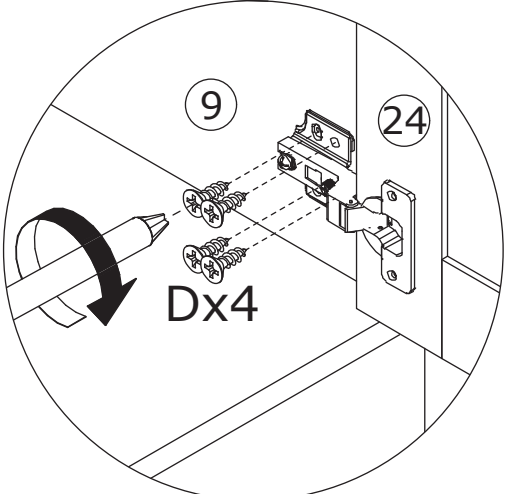
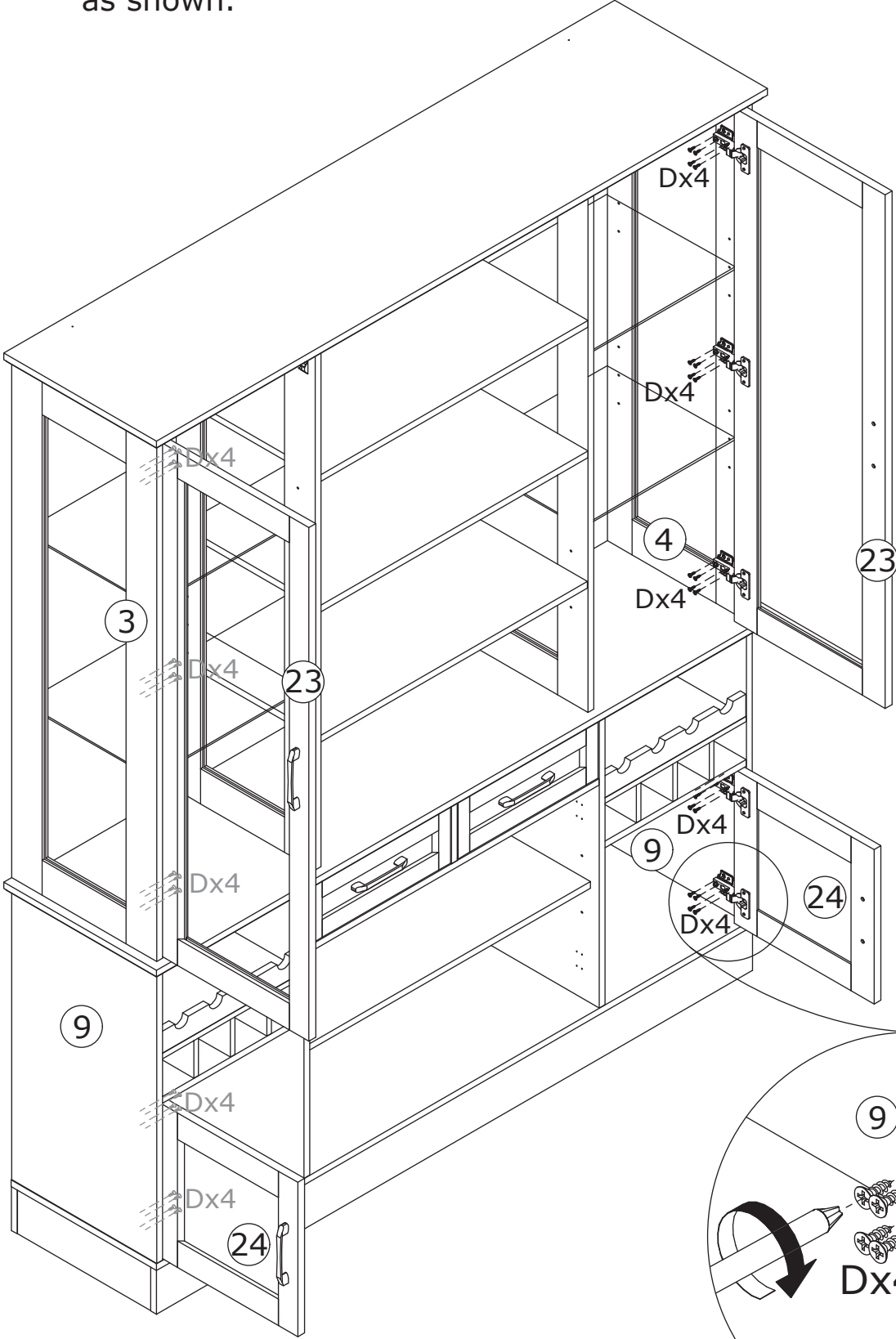
Secure hinges (P) to Panels 23, 24, and 25 using screws (D).
Then, attach handles (L) using screws (K) as shown.

38

D x 40
Ø4 x 14 mm

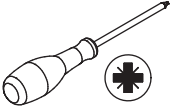


Secure Panel 23 to Panels 3 and 4 using screws (D).
Secure Panel 24 to Panels 9 and 10 using screws (D)
as shown.

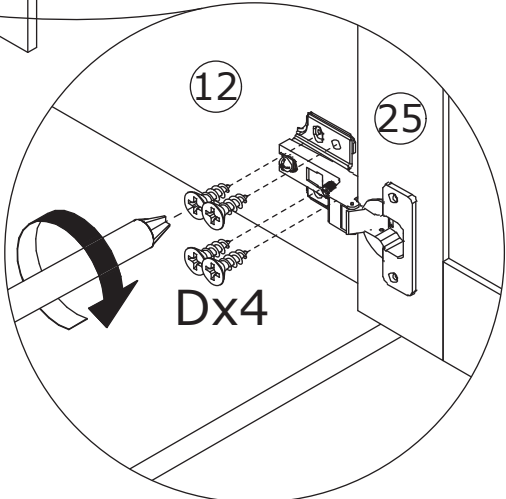
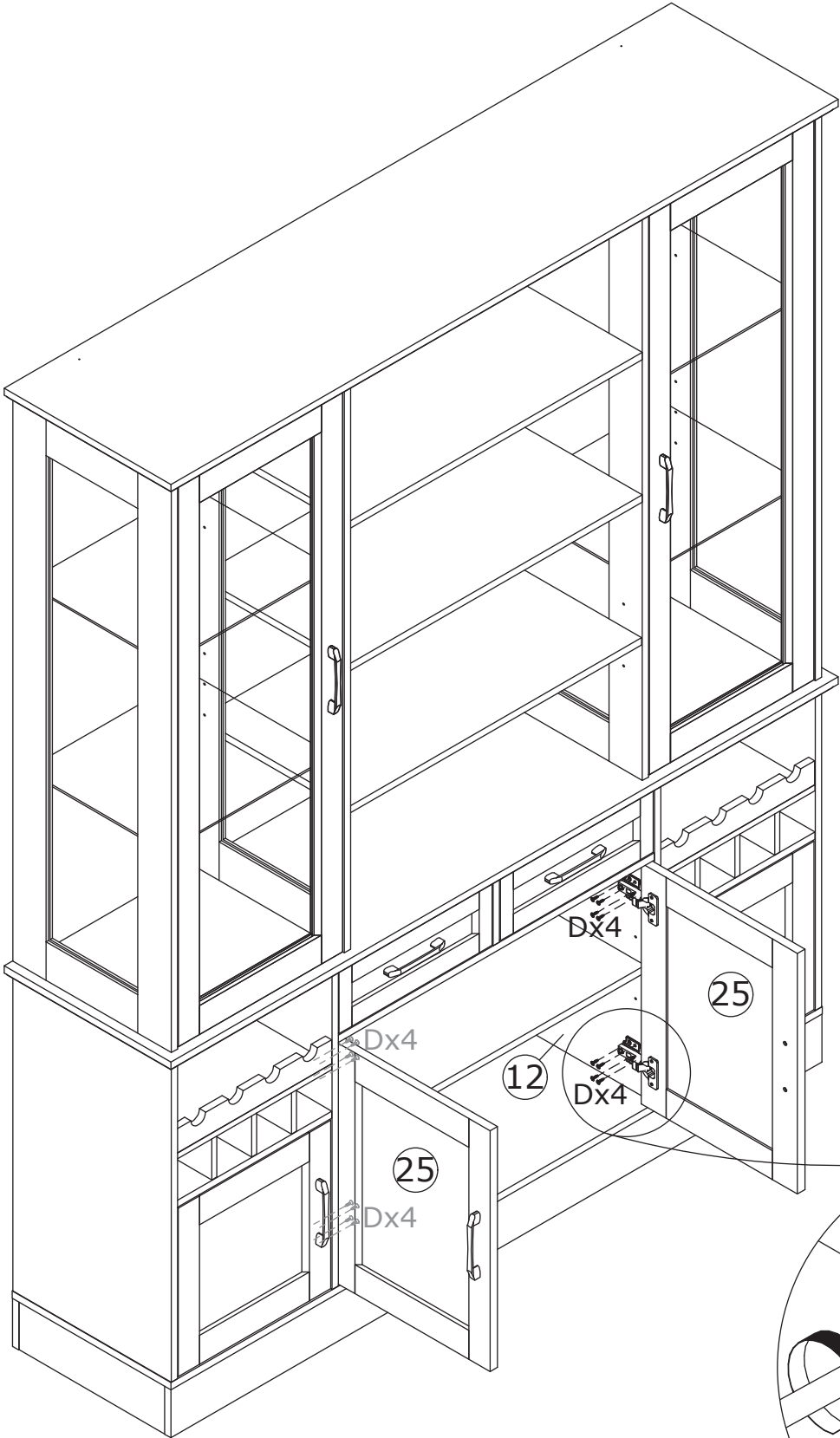


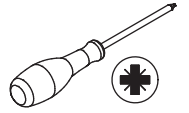
39

D x 16
Ø4 x 14 mm



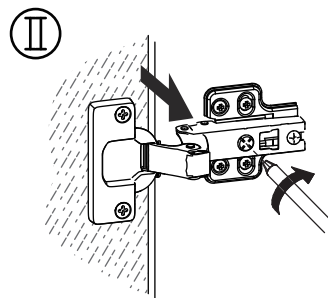
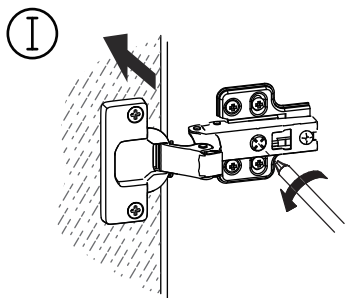
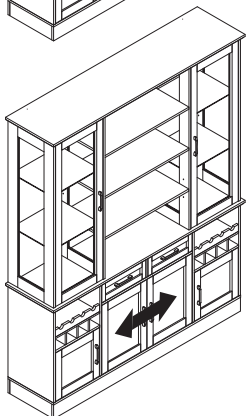
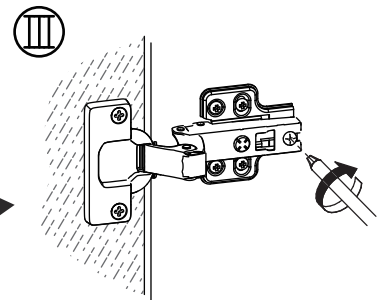
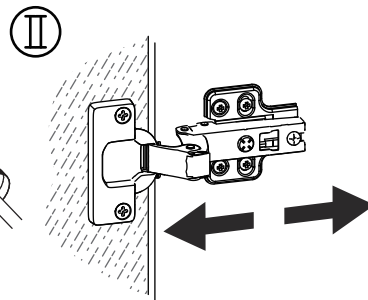
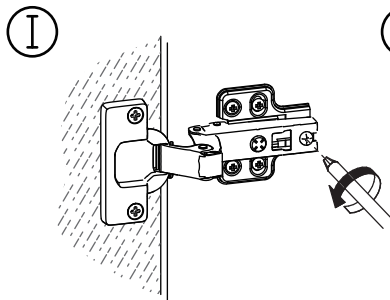
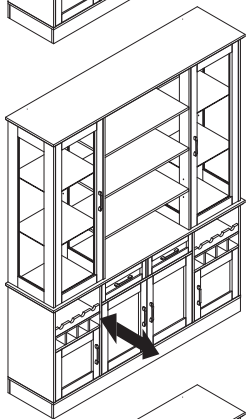
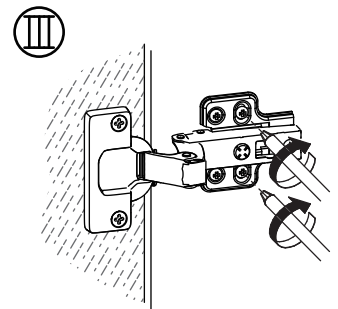
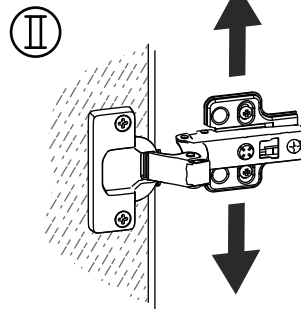
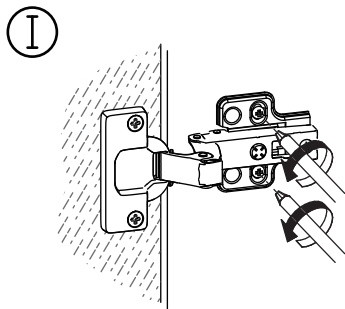
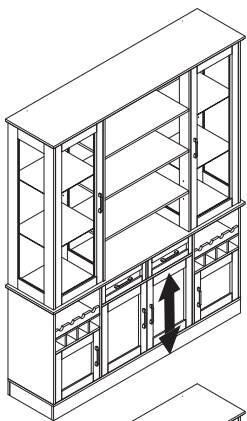
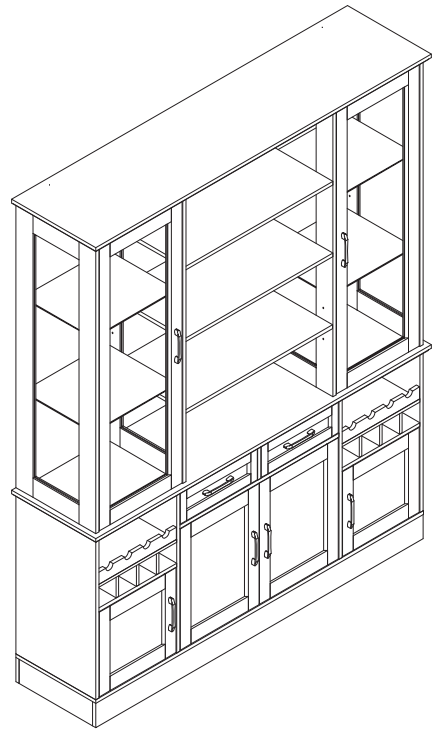
Secure Panel 25 to Panels 11 and 12 using screws (D) as shown.



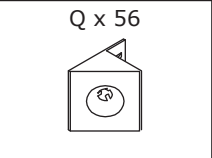
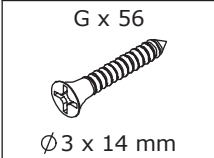


If doors are still not aligned if the hinges are properly correctly, please watch the video.

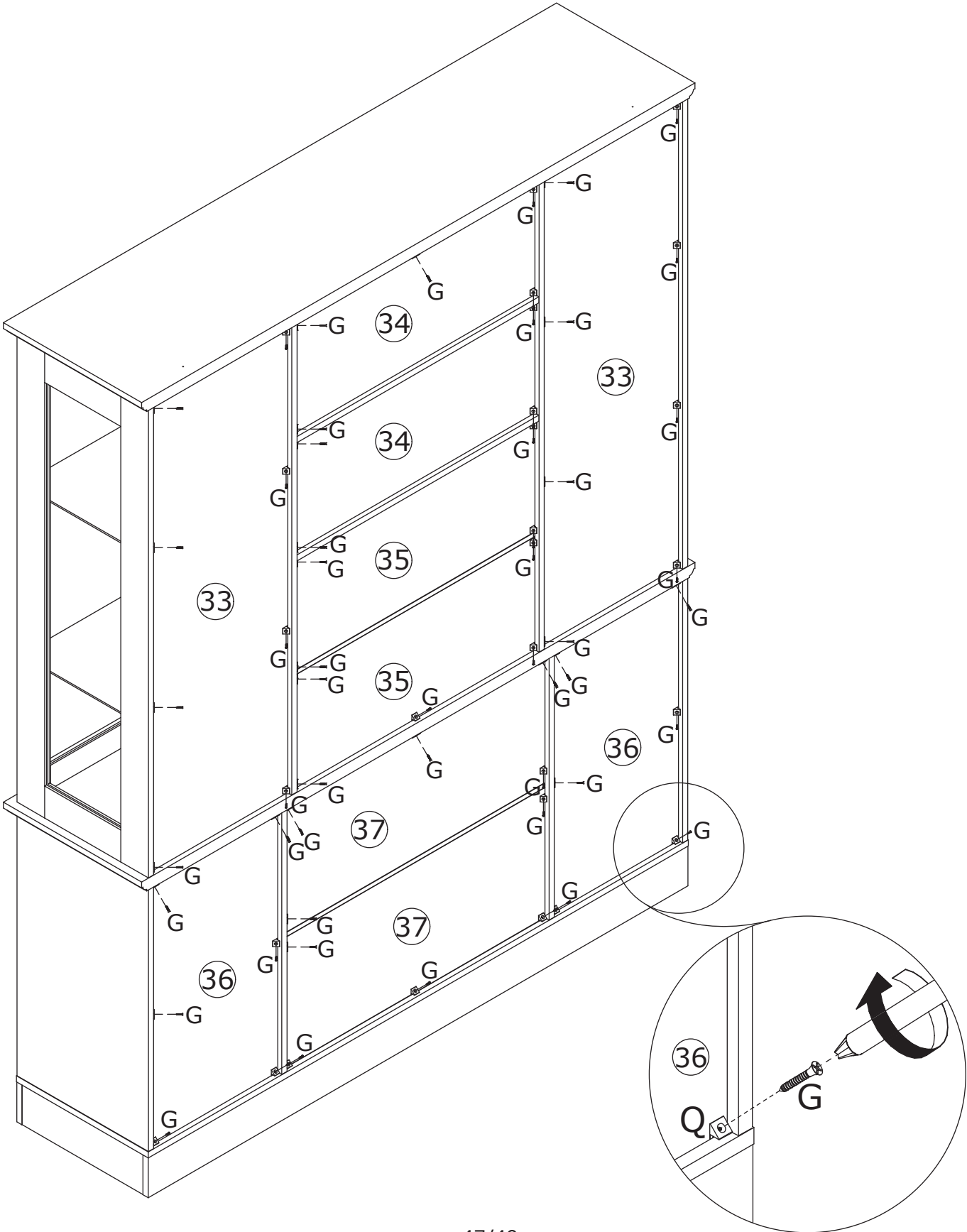
<https://youtu.be/n0Lb36SoODM>



41



Secure part (Q) into back slots and fix using screws (G) as shown.



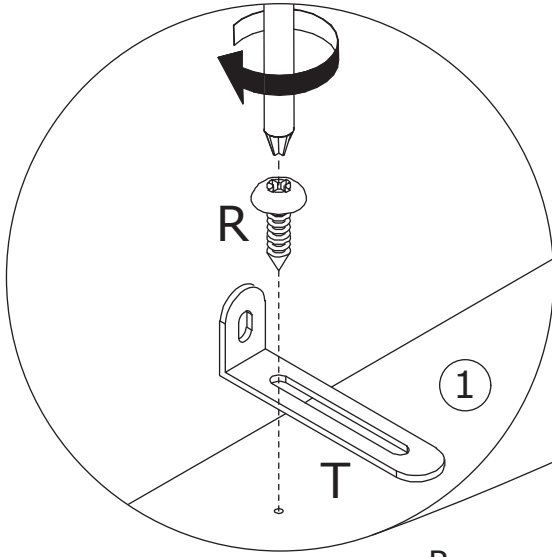
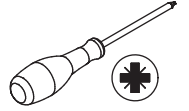
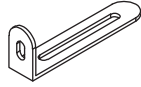
42

R x 2

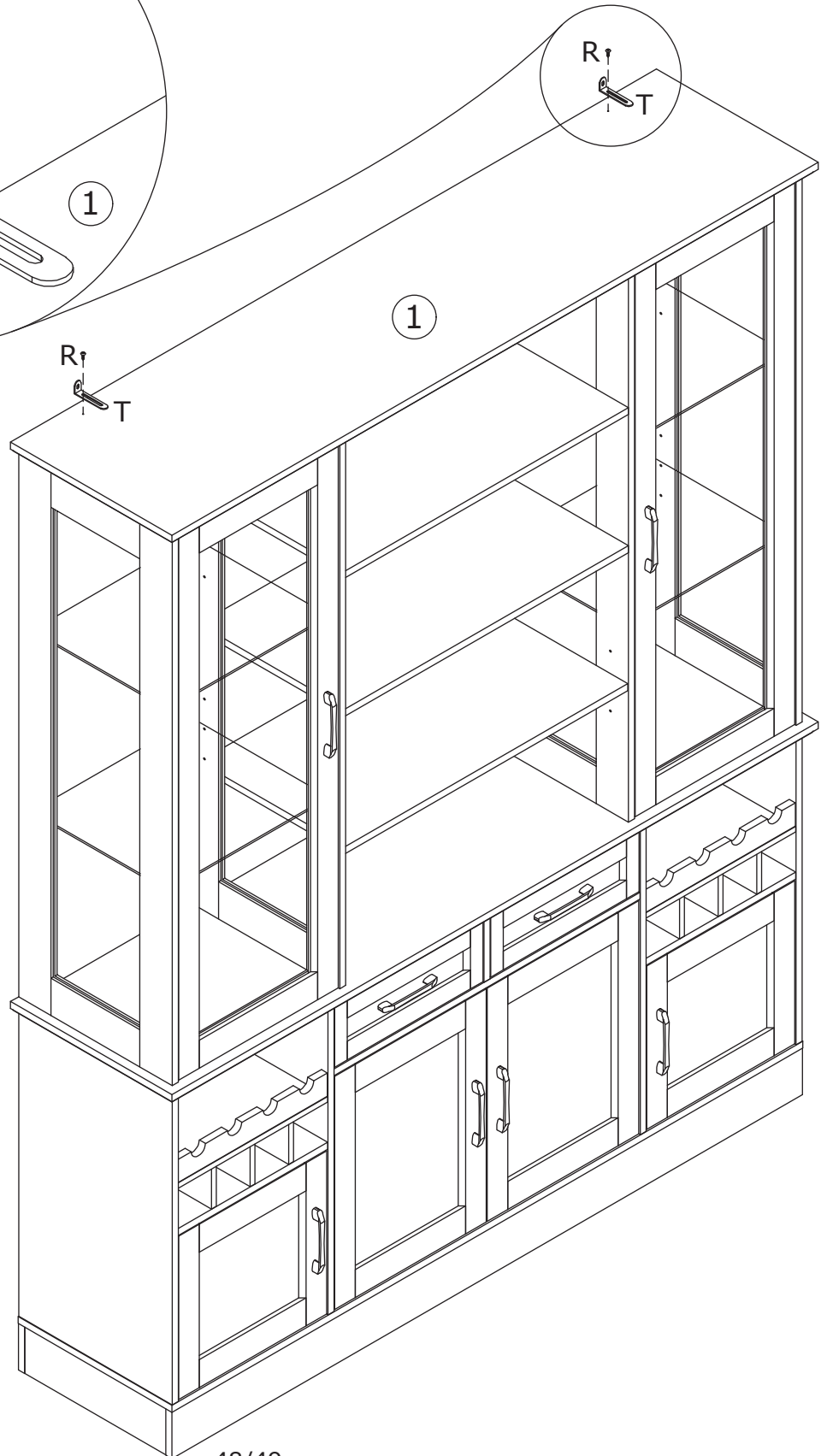


Ø4 x 14 mm

T x 2

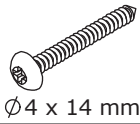


Secure (T) to Panel 1 using screws (R) as shown.

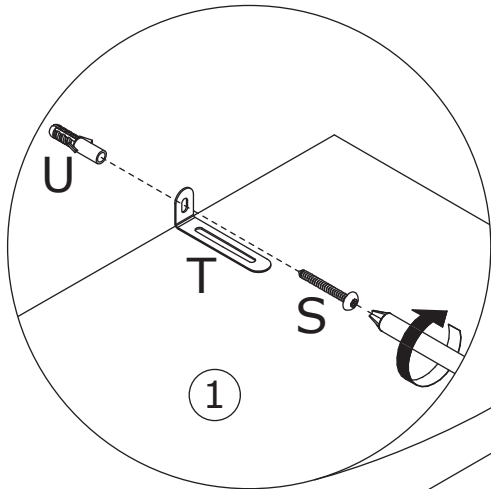
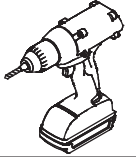
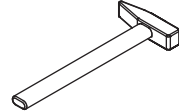
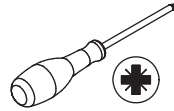
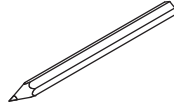
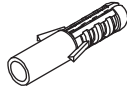


43

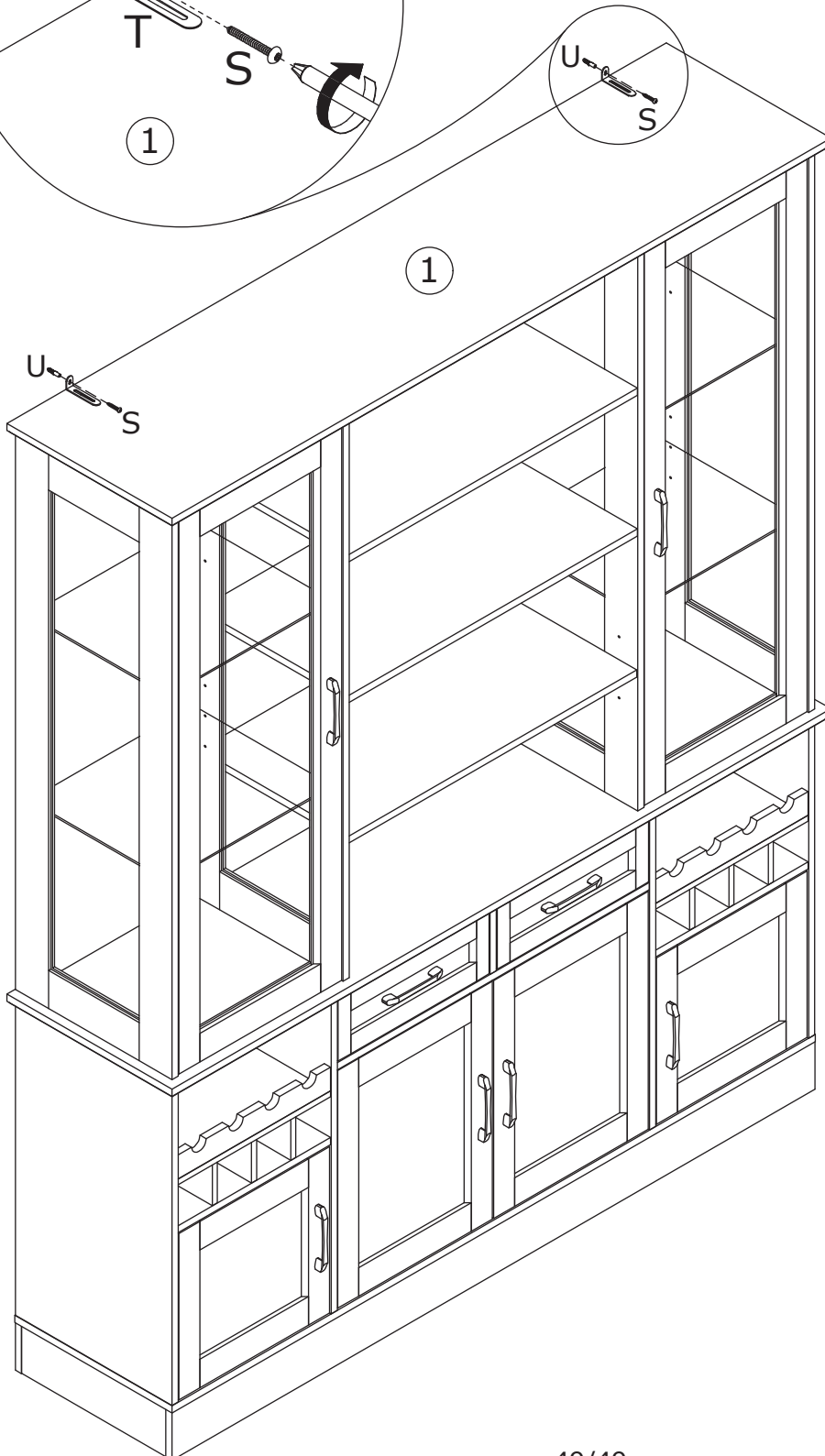
S x 2



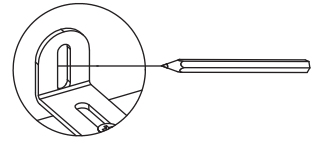
U x 2



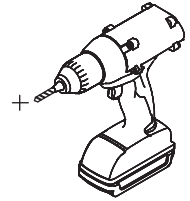
Mount the product to the wall using screws (S) and (U) as shown.



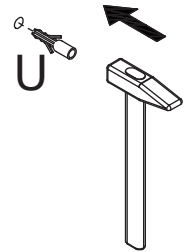
1.



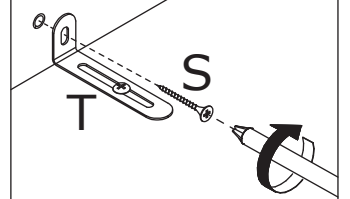
2.



3.



4.



WARRANTY

WARRANTY CLAIMS

- There is a 30-day warranty for broken furniture or any other problems that do not work properly. The warranty will start from the date of purchase which must be verified by proof of purchase.
- Before making a claim, we may be able to answer your query, simply call us. Please leave your purchase order number, along with some details of the problem, if you want a replacement part. We will arrange within 48 hours. If there is out of stock, we will reply with a shipping date.
- The product must be used in accordance with the instructions provided. For health reasons.
- For other reasons, if the furniture needs to be returned, it must be cleaned and dried and operated within 30 days of receipt.

Type of Warranty Claim

- Failure to follow the furniture instructions will invalidate the warranty. Attention please.
- Does not include damage during installation, but includes damage during transportation.

Scope of responsibility

- Shall not bear any responsibility for misuse or user damage and / or loss of parts during the installation of furniture.
- After using, the damage and scratches of the furniture are not covered by the warranty.

The Warranty Relates to All Bought in The Us and Covers The Following Areas

- Sheet parts: 1 month from the date of purchase.
- Electrical parts: 1 month from the date of purchase.

RETURNS

CHANGED YOUR MIND AND NEED TO RETURN YOU ITEM?

PLEASE FOLLOW THE BELOW INSTRUCTIONS:

- If you have purchased and have simply changed your mind, follow the retailer's instructions for returns.

DEFECTIVE ITEMS

- If your item is defective in any way, i.e. it doesn't work but you can't identify why, in the first instance, please call us.

DAMAGED ITEMS

- If you receive an order with obvious shipping damage from the retailer, then we suggest the delivery is refused. If the delivery has been accepted and then shipping damage is found, please follow the specific instructions advised by the retailer.
In all circumstances please save all packaging material and paperwork for the order. Please be aware that if you dispose of packaging material or attempt to return the merchandise without contacting the fulfiller, you jeopardise your chances of making a claim, and you may not receive a credit for the return.

AFTER-SALES CONTACT



adelahu@fufugaga.com



208-820-0068