



## Available Finishes



BISCUIT



WHITE

(MNO3260VASLBS) (MNO3260VASLWH)

## Features

- 42 gallon capacity
- Cast from high-gloss acrylic
- Reinforced fiberglass backing
- Pre-leveled self-leveling base
- Textured slip-resistant floor
- Integrated water barrier
- Integrated skirt
- Left-hand drain location
- Includes overflow drain trim kit
- Made in the USA

## Codes & Standards

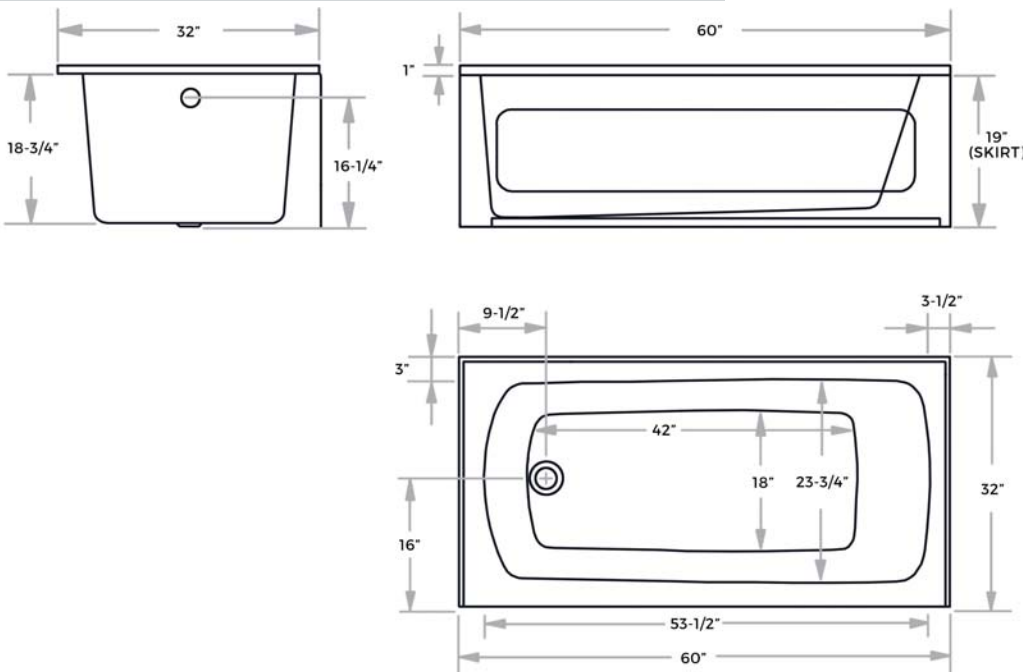
Specified to meet or exceed:  
- IAPMO & ETL



MADE IN  
 THE USA

**NOTICE:** MISENO TUBS ARE MADE TO ORDER. PLEASE ALLOW 2-4 WEEKS LEAD TIME.

## DIMENSIONS & MEASUREMENTS



## Specifications

- Overall Length: 60"
- Overall Width: 32"
- Overall Height: 19"
- Tub length: 42"
- Tub width: 18"
- Tub depth (to overflow): 16-1/4"
- Material: Cast acrylic
- Five year warranty
- Maximum capacity: 42 gallons
- Drain location: Left

## Installation Notes

- All dimensions and specifications are nominal and may vary +/- 1/4". Use actual products for accuracy in critical situations.

- Tub must be supported from the tub bottom and not the tub lip or stringers. Failure to do so will void warranty.