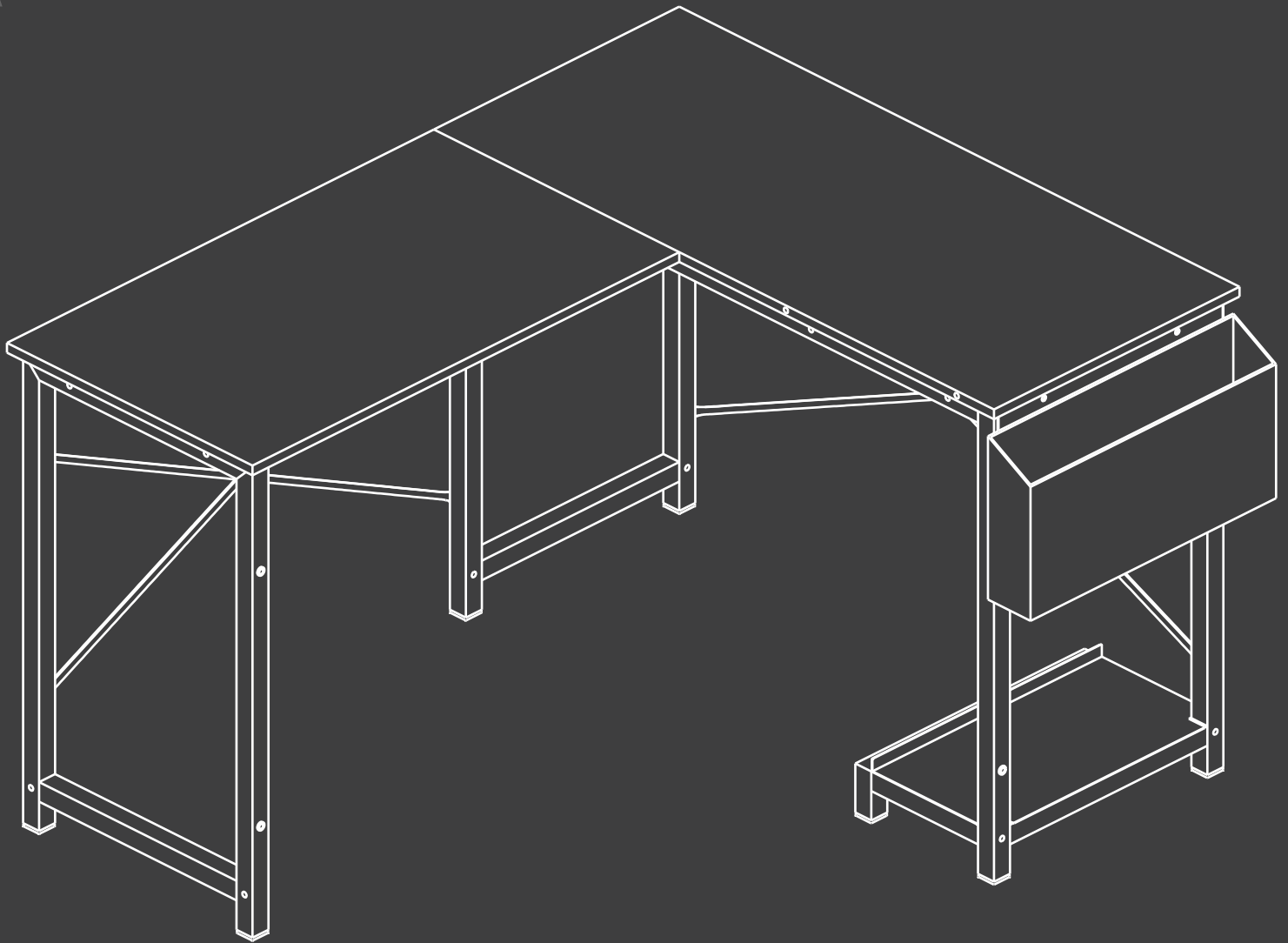


L Shaped Computer Desk

Instruction Manual

D-L01-49IN



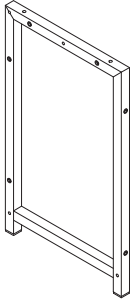
 EST 9:00AM--17:00PM

 HJ-Customer-Service@outlook.com

 (909)637-7665 | (909)637-7593

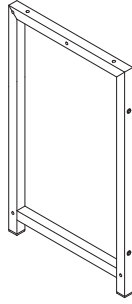
1 Package List

A



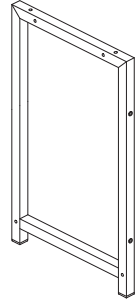
Leg

B



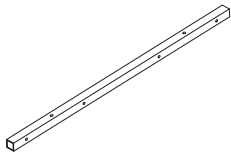
Leg

C



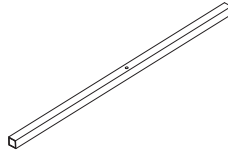
Leg

D



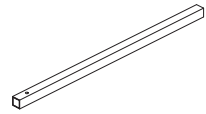
Crossbar

E



Crossbar

Fx2



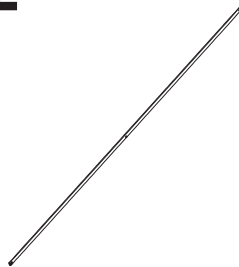
Crossbar

Gx2



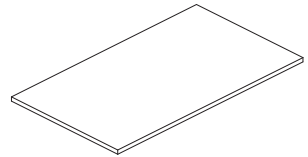
Bar

Hx2



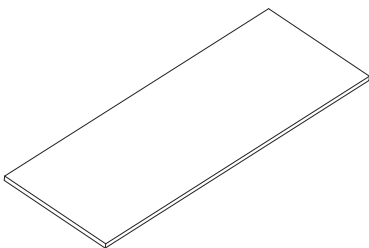
Bar

I



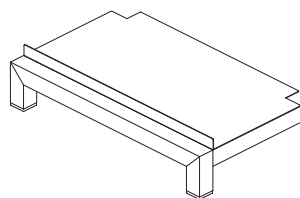
Board

J



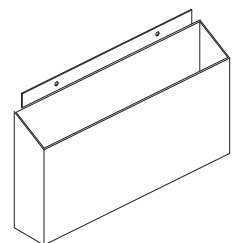
Board

K



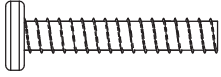
Stand

L



Felt Bag

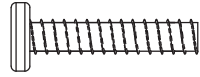
1x10



M6x45mm

Screws

2x11



M6x40mm

Screws

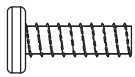
3x10



M6x12mm

Screws

4x2



M6x25mm

Screws

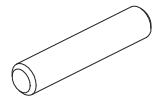
5x2



M6

Nut

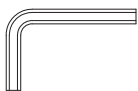
6x2



8x40

Wooden Dowel

7



M4

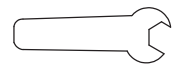
Wrench

8x2



Cover-up Sticker

9

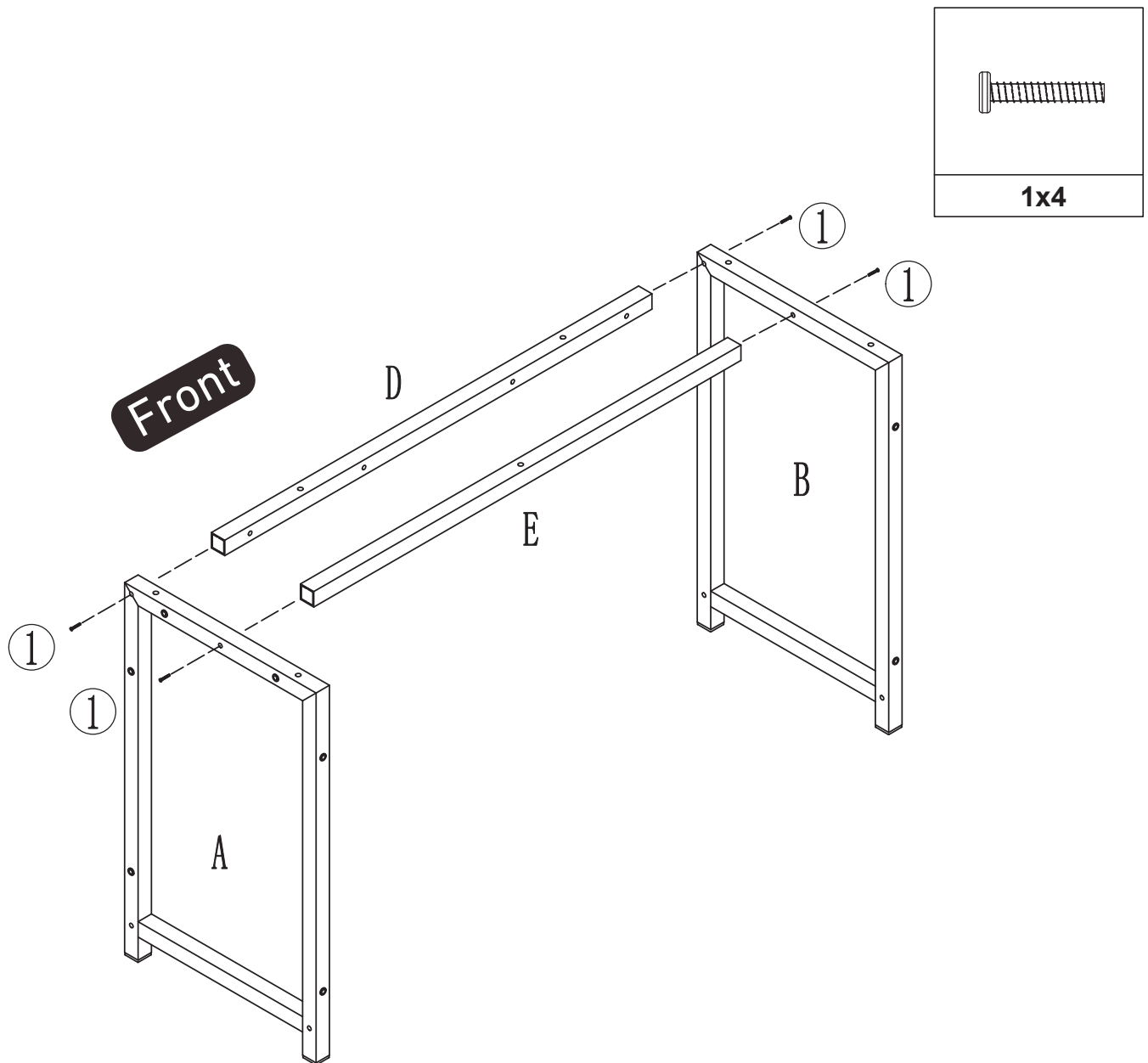


Wrench

ATTENTION:

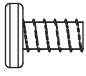
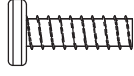

1. Please do not wipe the desk with corrosive liquids.
2. Please take good care of the parts to avoid children's contact and accidental eat in.
3. Please do not place overheated kitchenware and tableware to avoid damaging the desk.

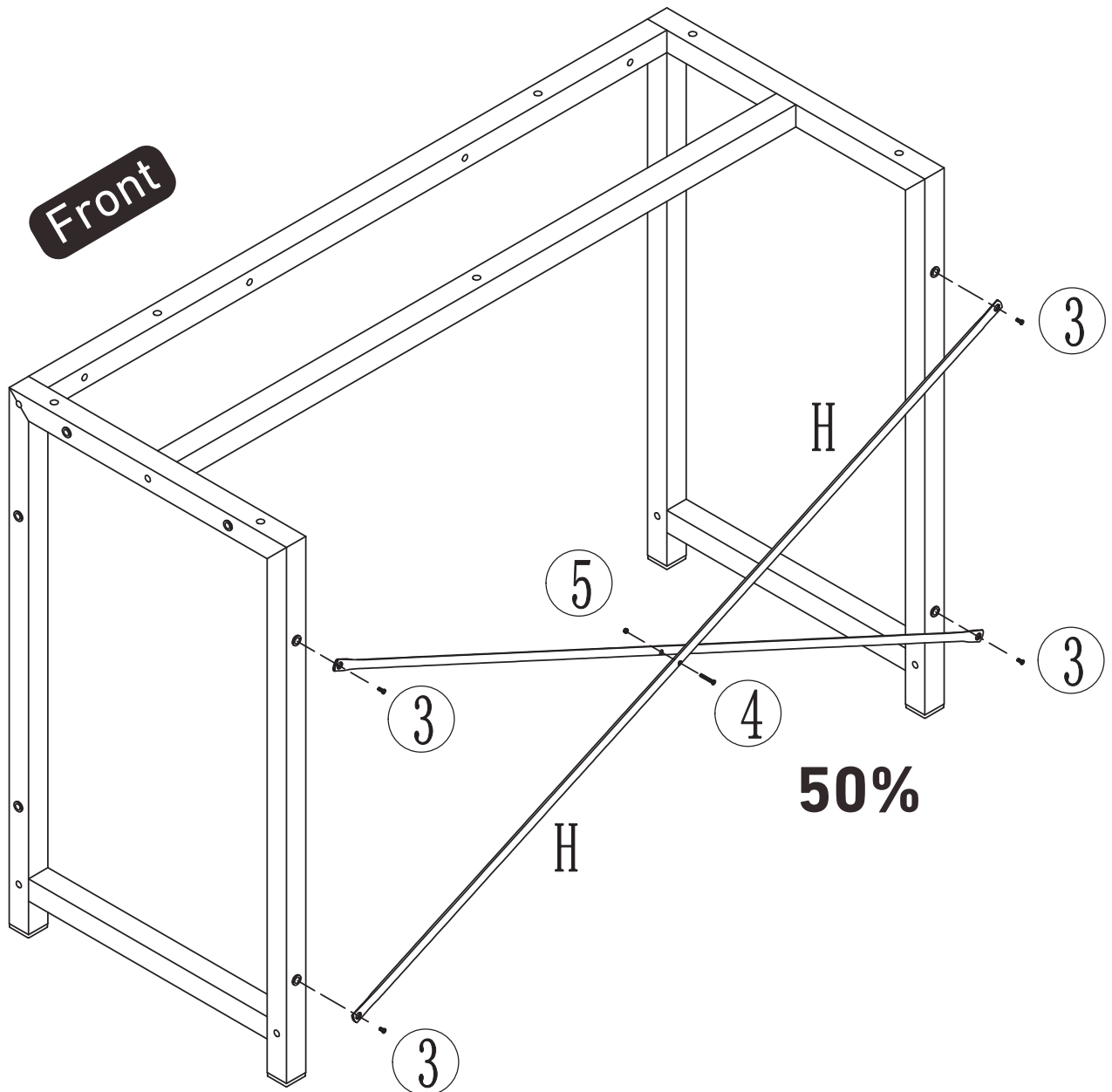
Step 1



Attach Crossbars (**D&E**) to the **front** and **middle** of the Legs (**A&B**) with Screws (**1**)***4**.

Step 2

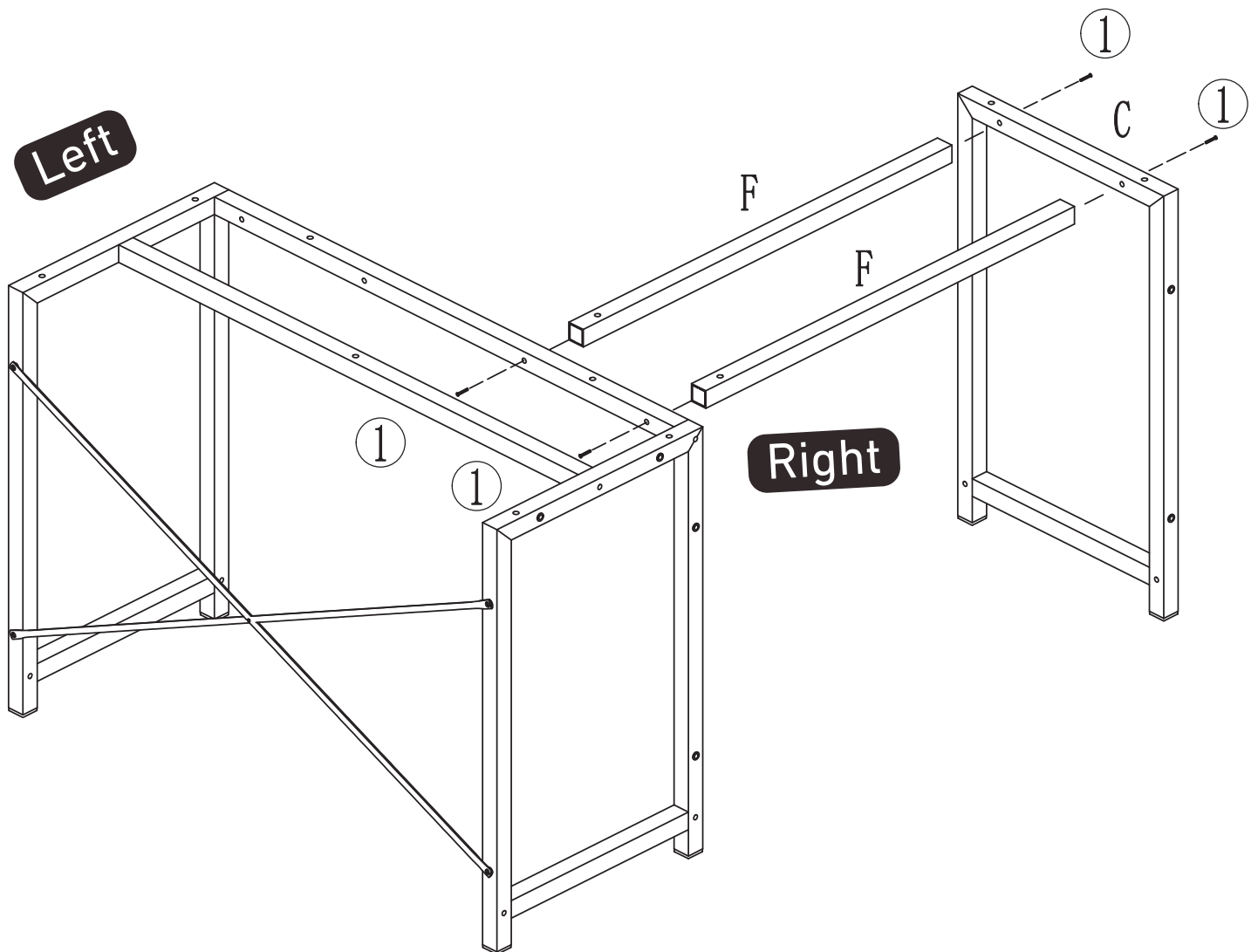
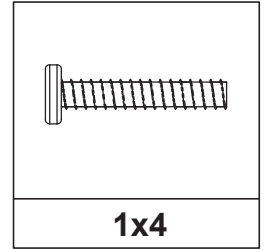
		
3x4	4x1	5x1



Fix the screw hole in the middle of the Bar **(H)*2** with Screw **(4)*1** and Nut **(5)*1**. Fix the crossed Bar **(H)*2** to the Legs **(A&B)** with Screws **(3)*4**.

Note: Screw **(4)** and Nut **(5)** are only tightened **50%**.

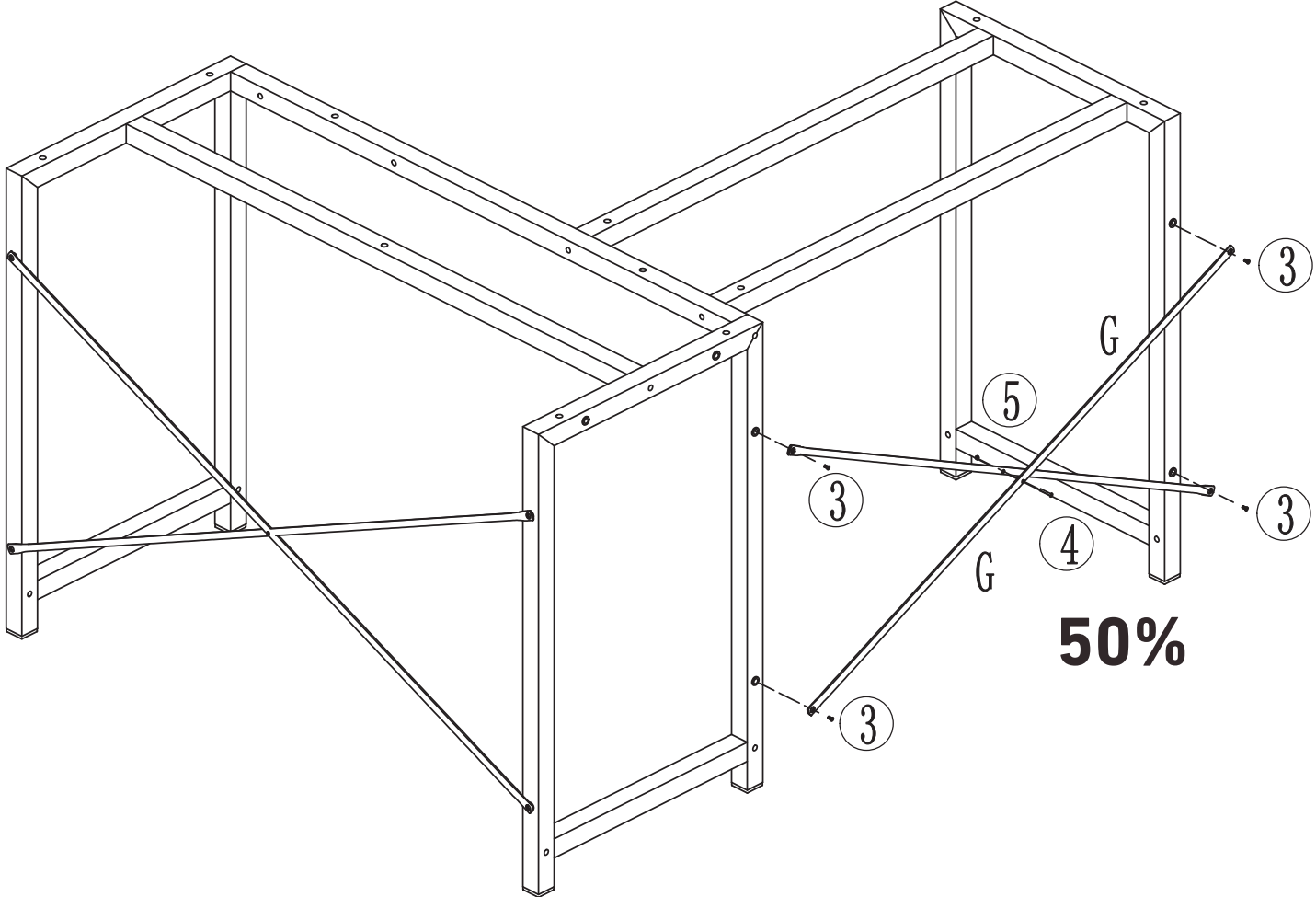
Step 3



Attach one side of the Crossbar (**F**)***2** to the Leg (**C**) and the other side to the **RIGHT** side of the installed Desk Frame with Screws (**1**)***4**.

Step 4

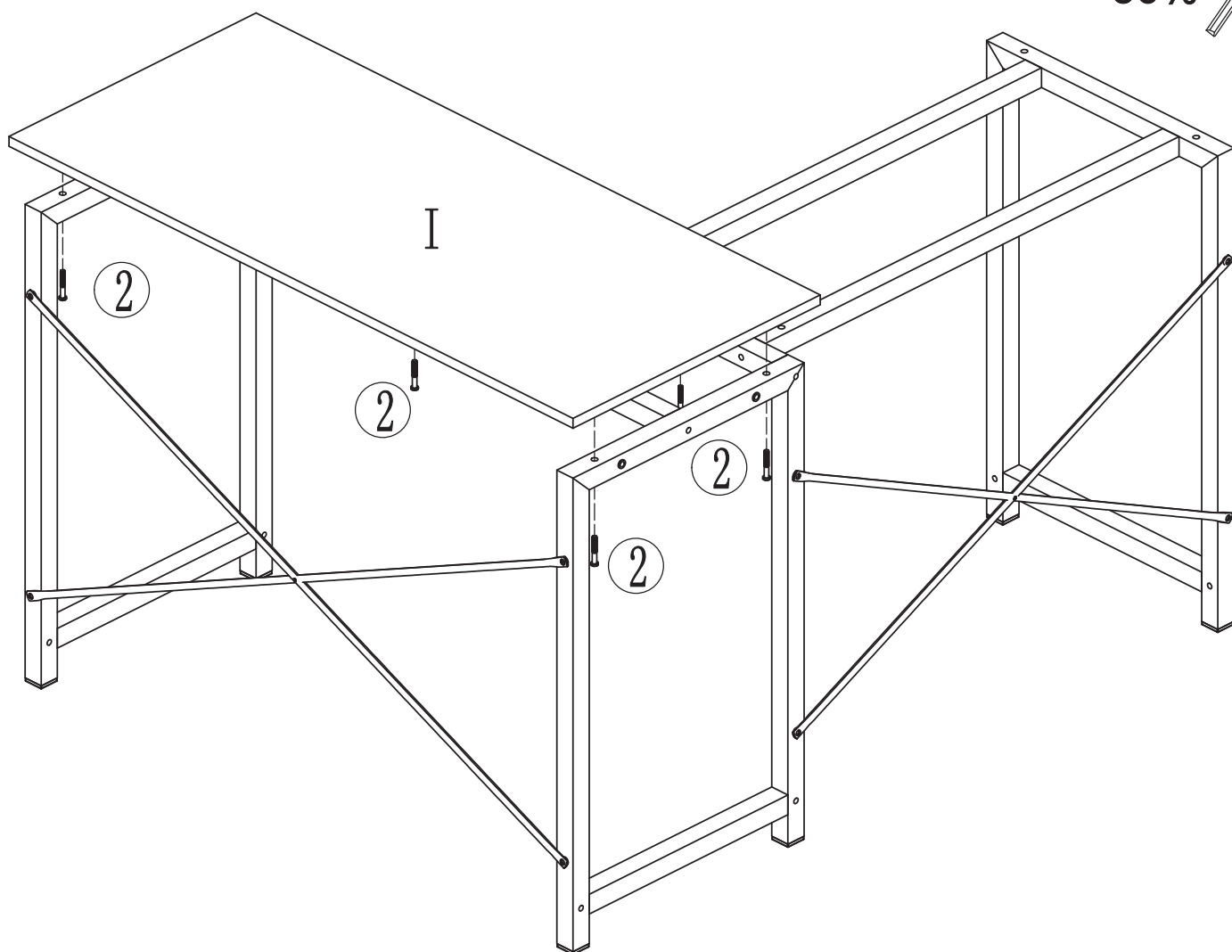
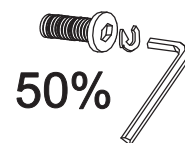
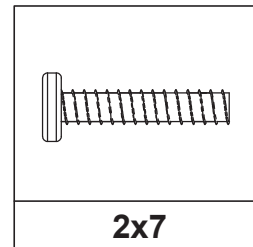
3x4	4x1	5x1



Fix the screw hole in the middle of the Bar **(G)*2** with Screw **(4)*1** and Nut **(5)*1**. Attach the crossed Bar **(G)*2** to the Legs **(B&C)** with Screws **(3)*4**.

Note: Screw **(4)** and Nut **(5)** are only tightened **50%**.

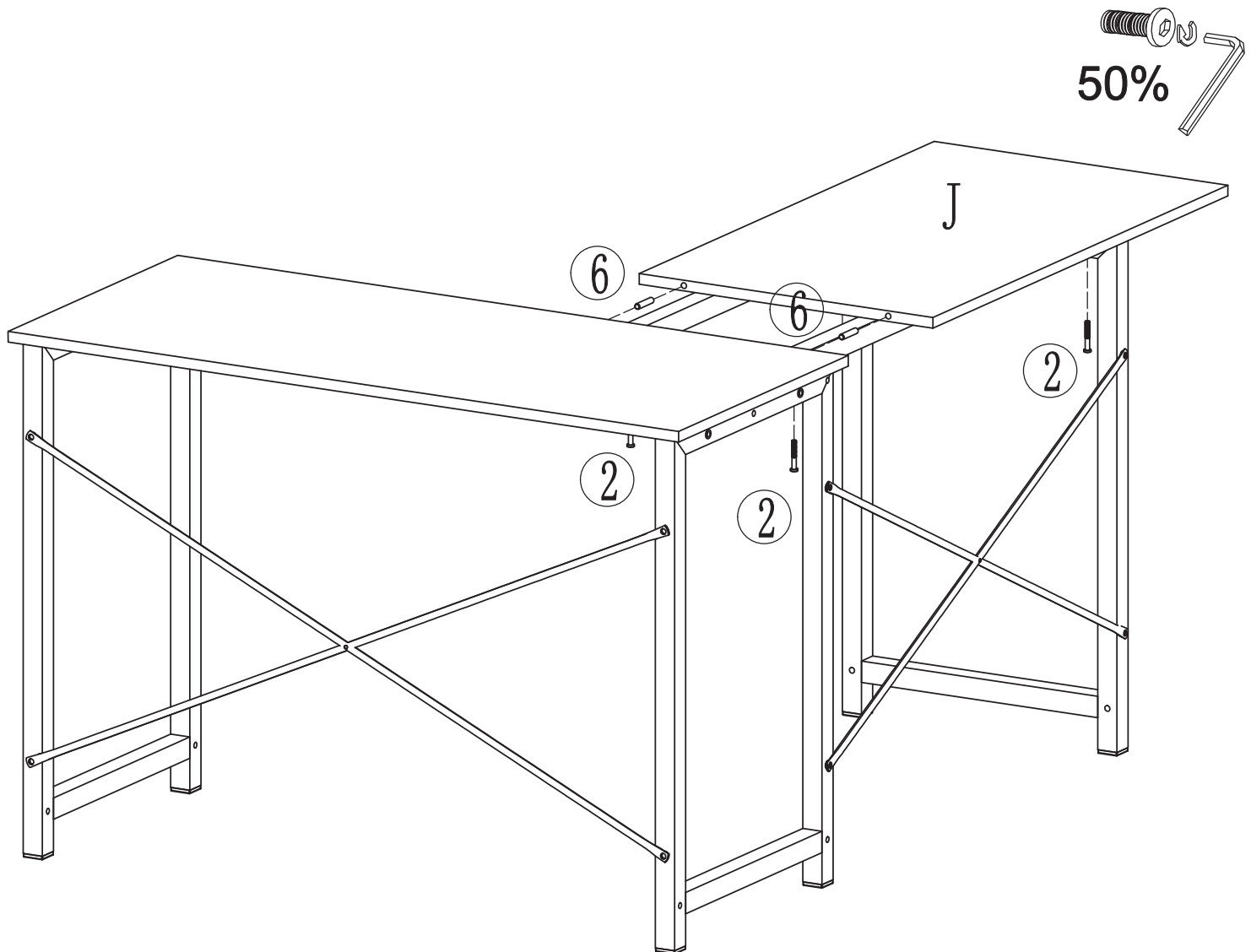
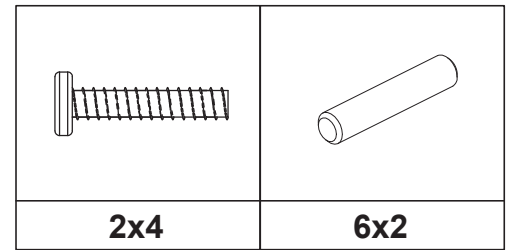
Step 5



Install Board (I) to one side Desk Frame with Screws (2)*7.

Note: Screws are only tightened **50%**

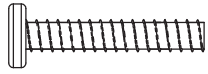
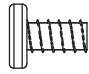
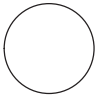
Step 6

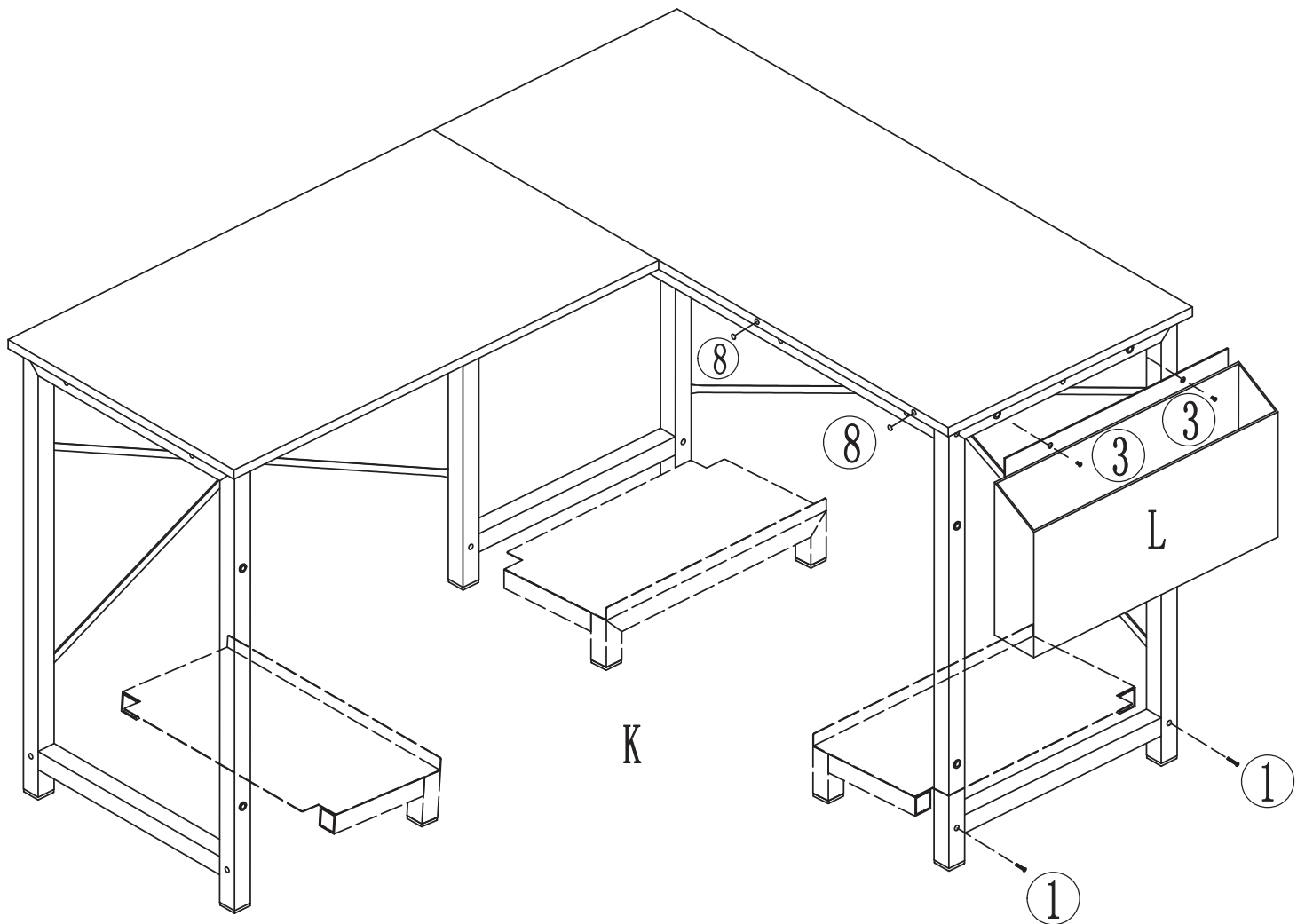


Fix Boards **(I&J)** with Wooden Dowel **(6)*2** so that the two match perfectly. Then attach Board **(J)** to the Desk Frame with Screws **(2)*4**.

Note: Screws are only tightened **50%**.

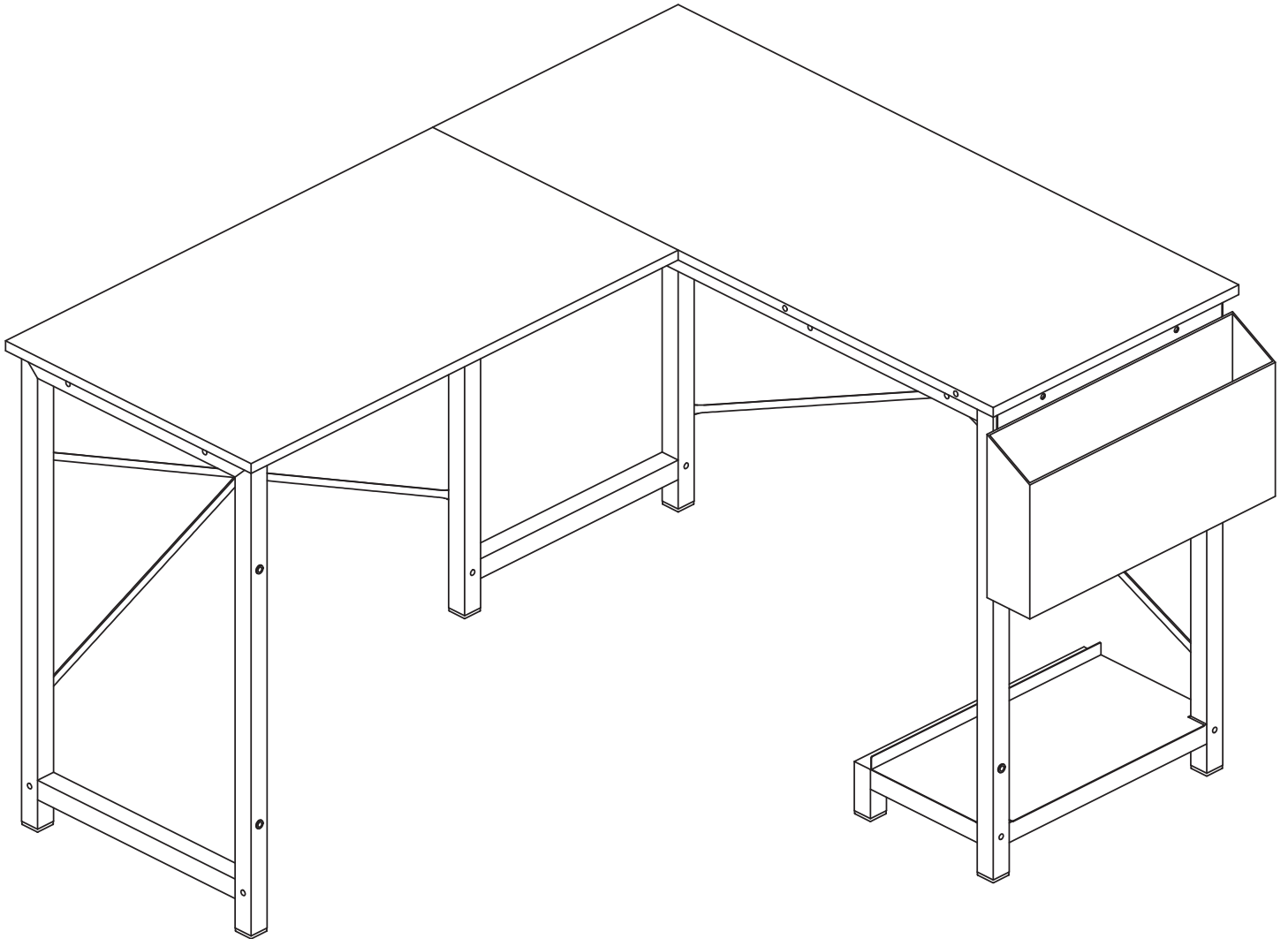
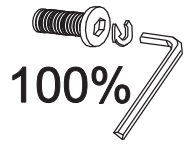
Step 7

		
1x2	3x2	8x2



Attach Felt Bag (**L**) to the Leg (**A**) with Screws (**3**)***2**. Attach Stand (**K**) to one of the three Legs (**A&B&C**) with Screws (**1**)***2**. Then use Cover-up Sticker (**8**)***2** to cover the exposed screw holes on the Board.

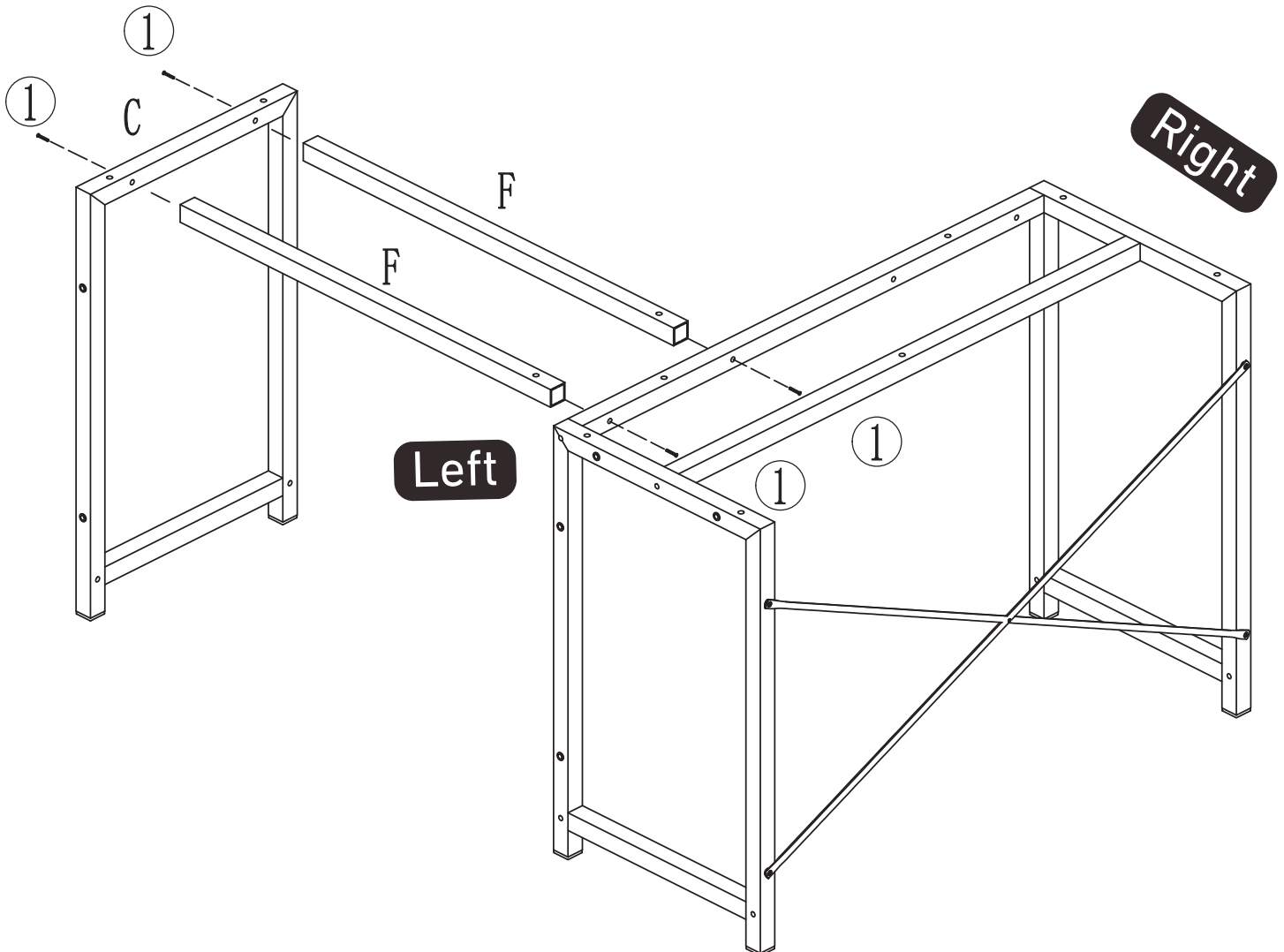
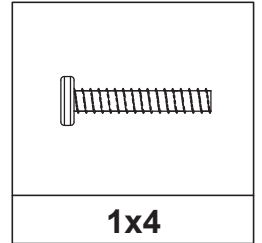
Step 8



100% Tighten all screws before using the Desk, including Screws **(4)*2**, Nuts **(5)*2** and Screws **(2)*11**.

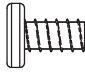
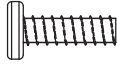
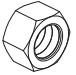
You can choose another installation method,
customize the placement as your habit.

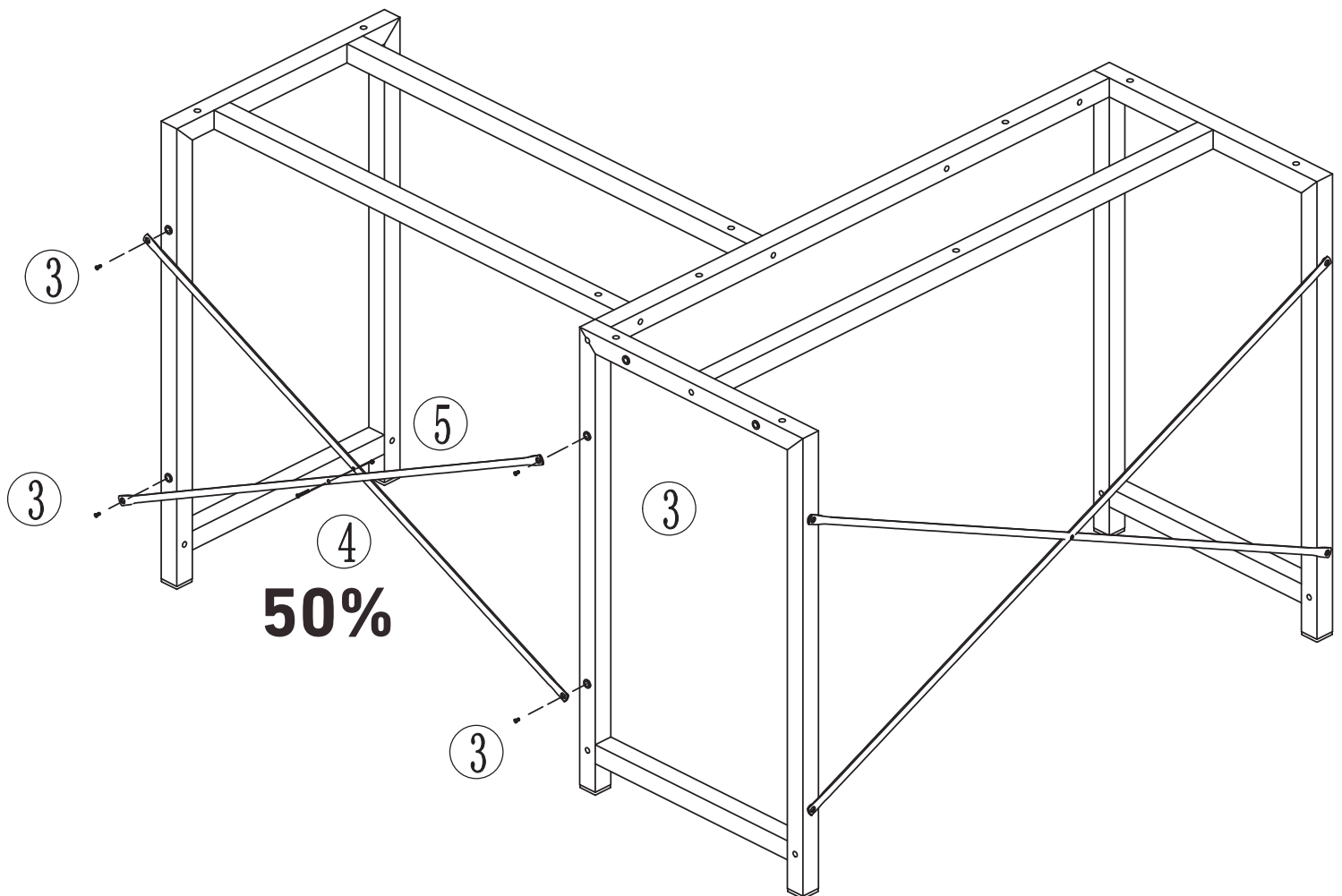
Step 9



Attach Crossbar **(F)*2** to the Leg **(C)** and the **LEFT** side of the Desk Frame with Screws **(1)*4**.

Step 10

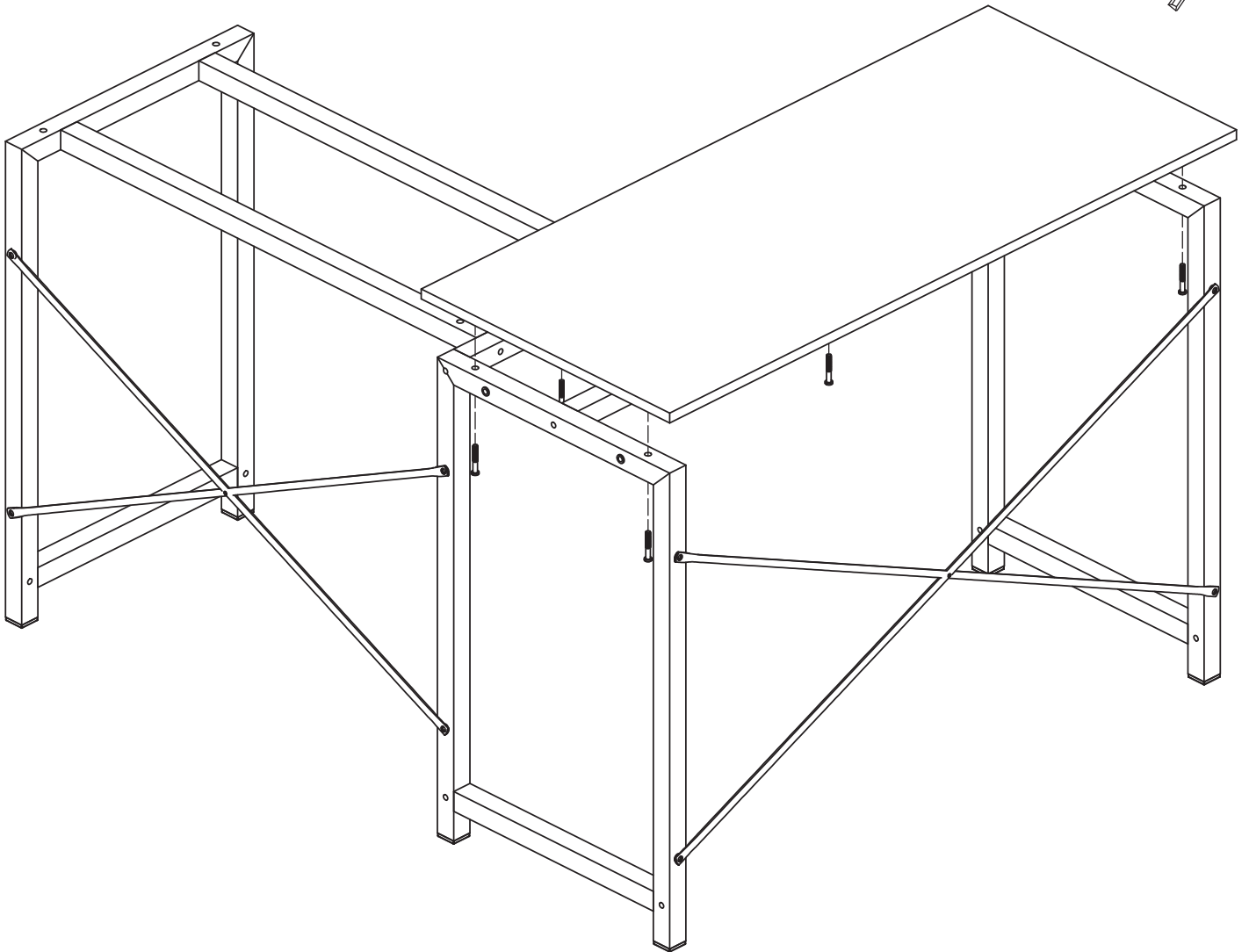
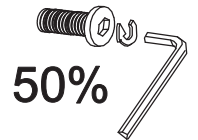
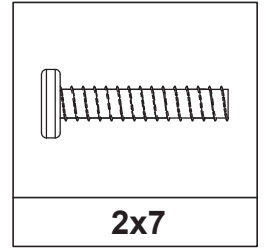
		
3x4	4x1	5x1



Fix Bar **(G)*2** with Screw **(4)*1** and Nut **(5)*1**. Attach the crossed Bar to the Legs **(B&C)** with Screws **(3)*4**.

Note: Screw **(4)** and Nut **(5)** are only tightened **50%**.

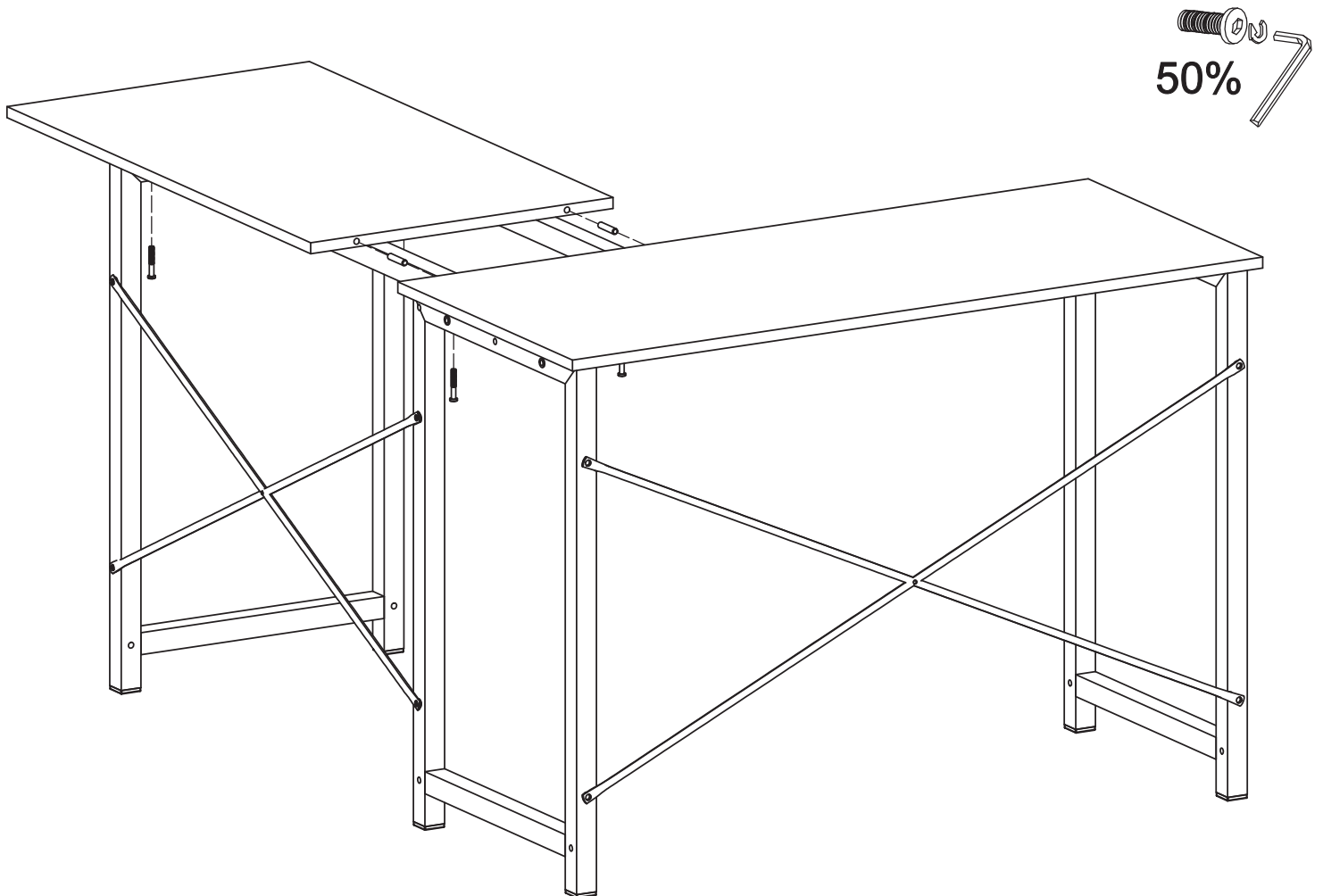
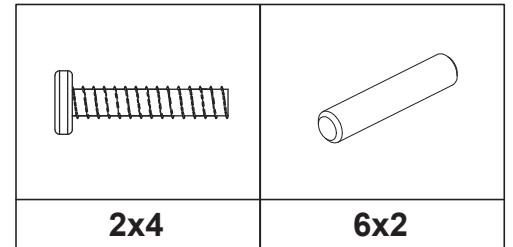
Step 11



Install Board (1) to one side Desk Frame with Screws (2)*7.

Note: Screws are only tightened **50%**.

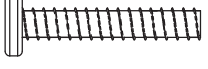
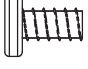
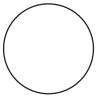
Step 12

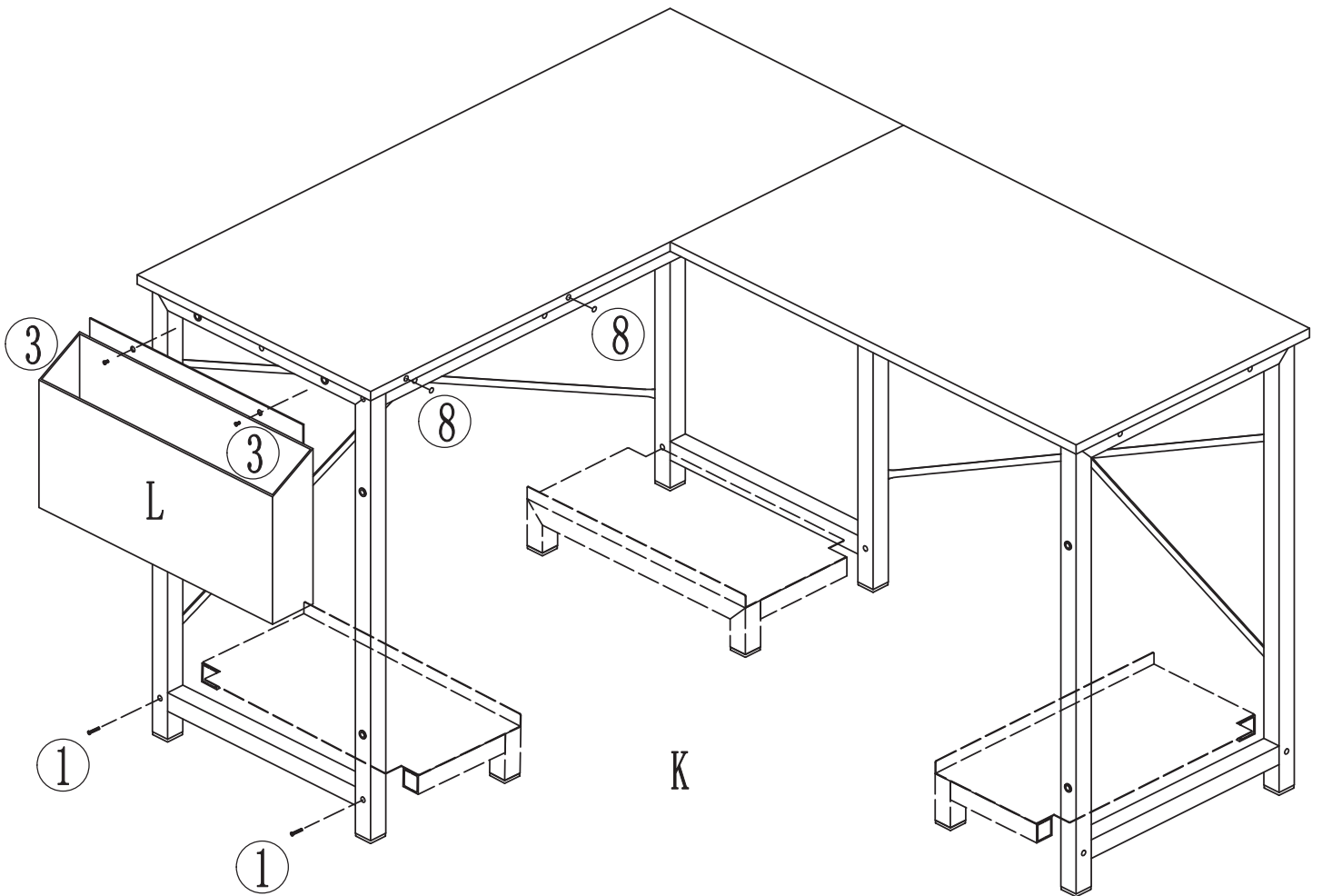


Fix Boards **(I&J)** with Wooden Dowel **(6)*2** so that the two match perfectly. Then attach Board **(J)** to the Desk Frame with Screws **(2)*4**.

Note: Screws are only tightened **50%**.

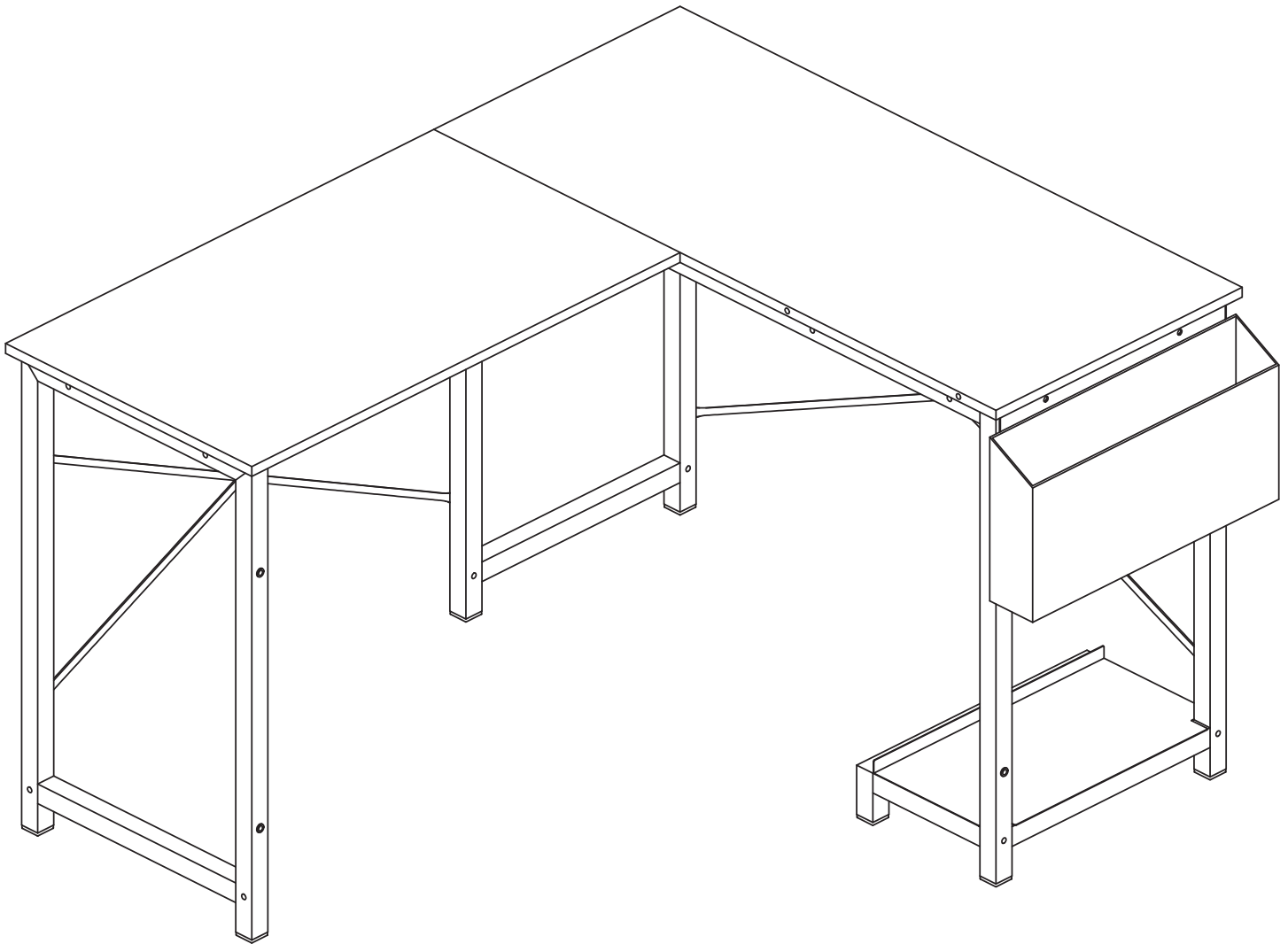
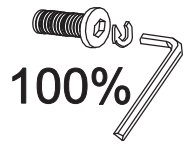
Step 13

		
1x2	3x2	8x2

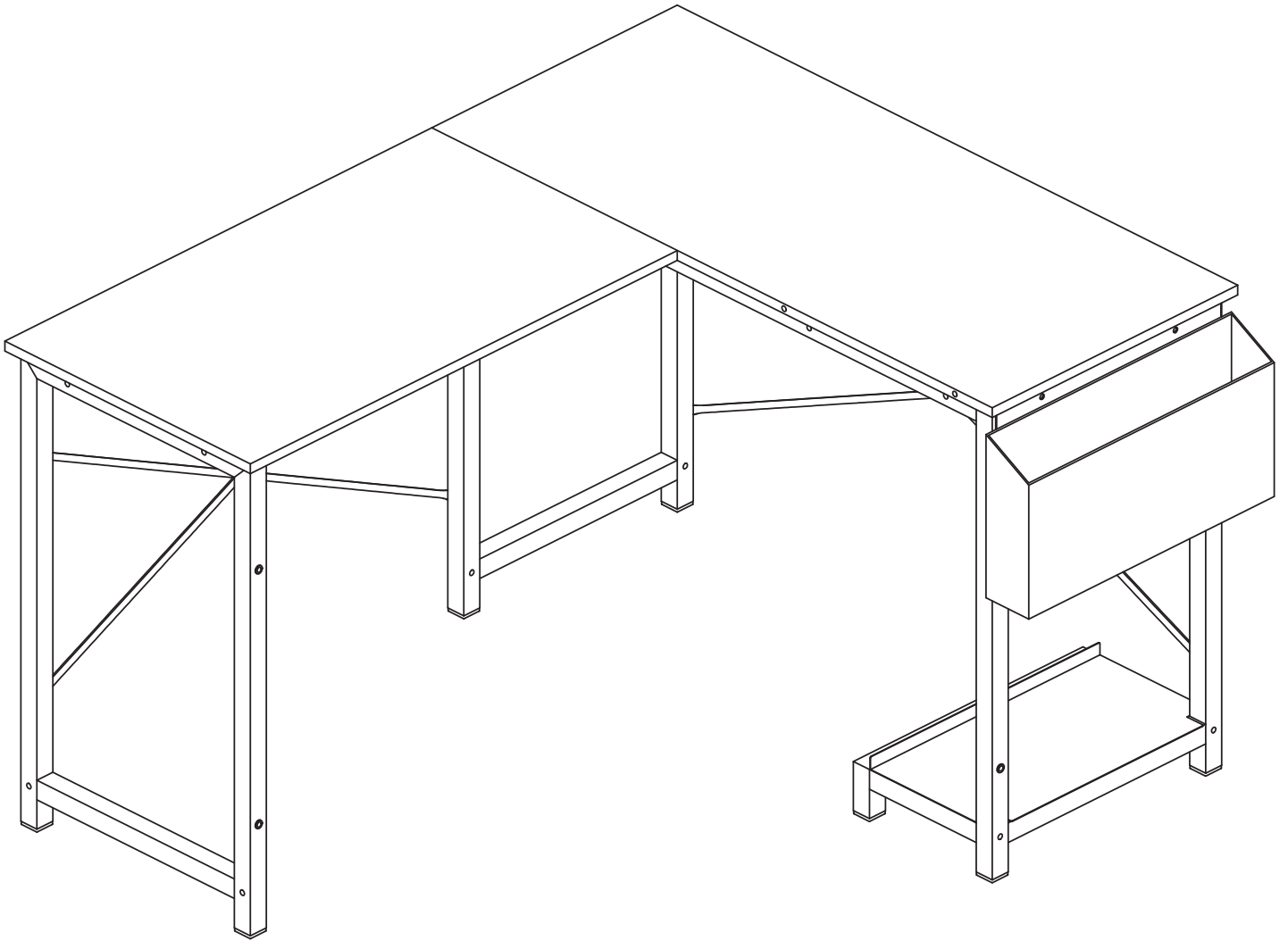


Attach Felt Bag (**L**) to the Leg (**A**) with Screws (**3**)*2.
Attach Stand (**K**) to one of the three Legs (**A&B&C**) with
Screws (**1**)*2. Then use Cover-up Sticker (**8**)*2 to cover
the exposed screw holes on the Board.

Step 14



100% Tighten all screws before using the Desk, including Screws **(4)*2**, Nuts **(5)*2** and Screws **(2)*11**.



Technical Support

(909)637-7665 | (909)637-7593

Other Info

HJ-Customer-Service@outlook.com

Thank you for choosing this product. We strive to provide you with the best quality products and service in the industry. Should you have any issues, please don't hesitate to contact us.