

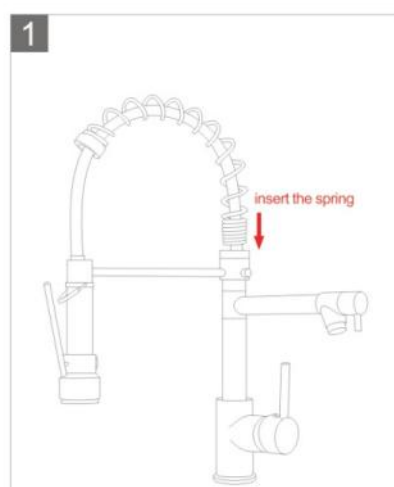
NO.	PART NAME
1	Faucet
2	Mounting shank
3	Rubber washer
4	Metal washer
5	Mounting nut
6	Screw
7	Deck plate
8	Supply lines
CFLT-2020-DP	

Read all instructions prior to installation.

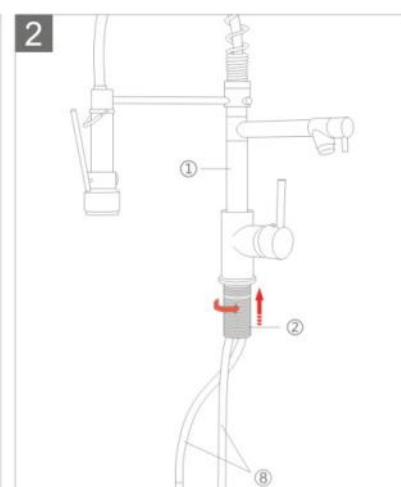
**CAUTION**

Failure to read these instructions prior to installation may result in personal injury, property damage, or product failure. Manufacturer assumes no responsibility for product failure due to improper installation.

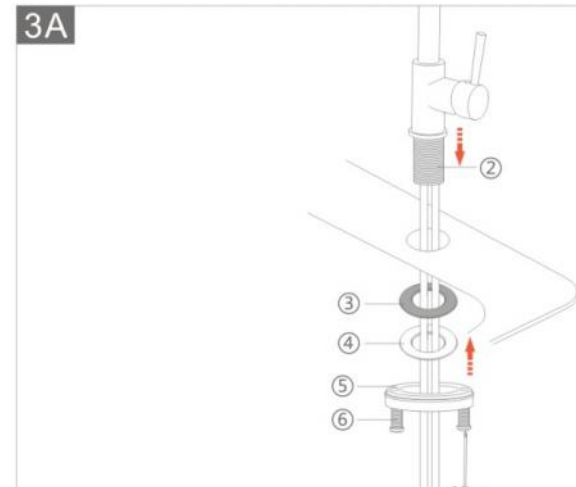
You may need:



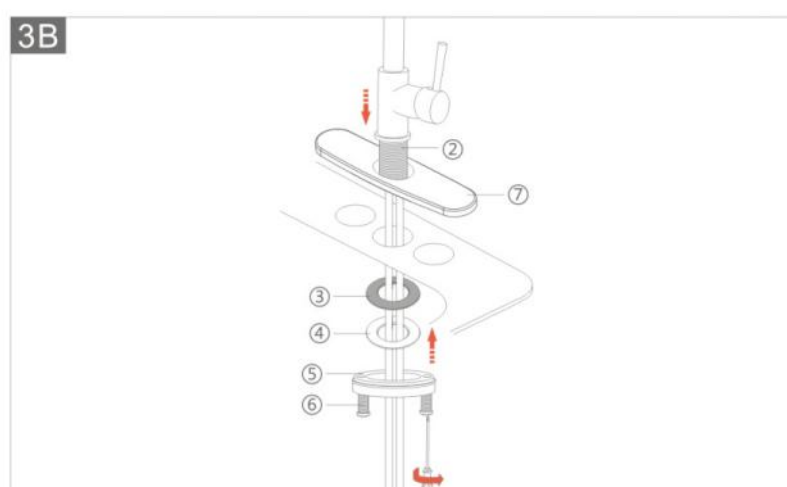
Insert the spring



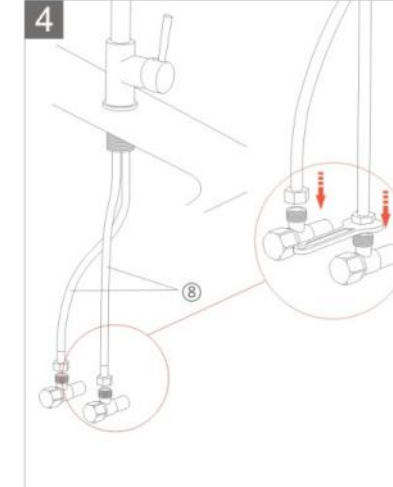
Insert Supply lines (8) through the Mounting shank (2) then thread the Mounting shank (2) onto the bottom of the Faucet (1).



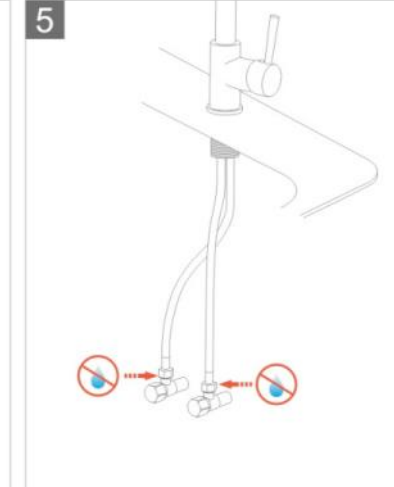
Slide Mounting shank (2) through sink from above, then slide the Mounting shank (2) through the Rubber washer (3), then through the Metal washer (4). Ensure base is aligned with sink, fully tightening Mounting nut (5), tightening the Screw (6).



If the sink has three holes, Slide Mounting shank (2) through Deck plate (7) and sink from above, then slide the Mounting shank (2) through the Rubber washer (3), then through the Metal washer (4). Ensure base is aligned with sink, fully tightening Mounting nut (5), tightening the Screw (6).



Thread hot and cold Supply lines (8) to angle valves using wrench.



Turn on both water supplies at angle stops and faucet handle, check for leaks at all connections made during this installation. Refer back to the appropriate installation instructions and retighten if necessary.

- Thank you for purchasing our kitchen faucet
- Please read this manual carefully before you install it
- Please keep this manual properly for the reference in the future



**USER MANUAL**