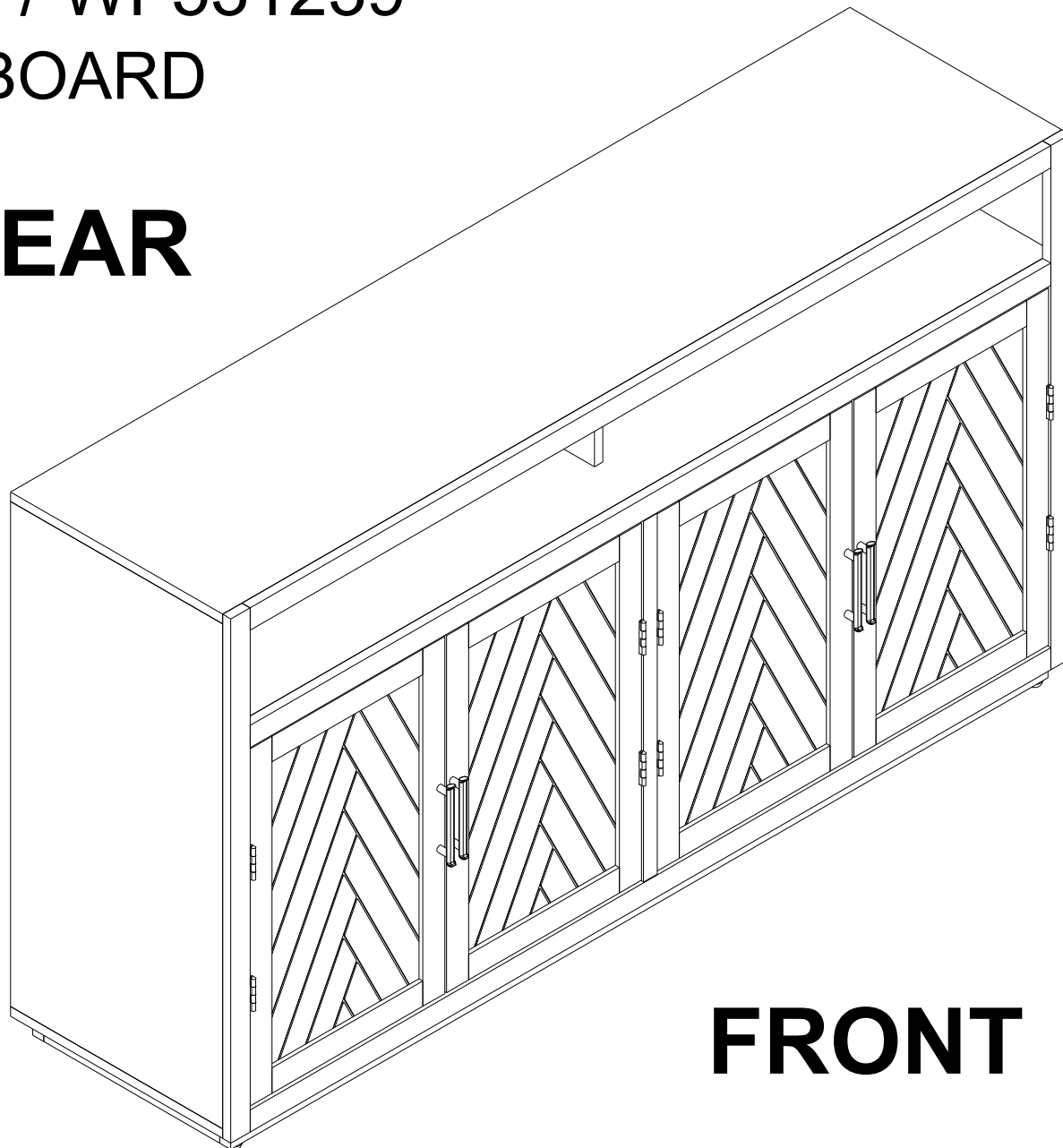


# ASSEMBLY INSTRUCTION

## WF531238 / WF531239

### ITEM: SIDEBOARD

# REAR



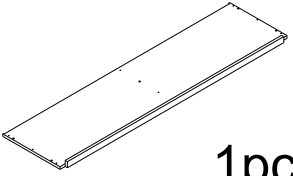
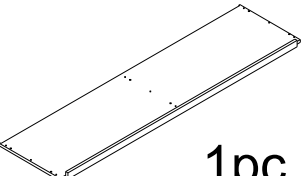
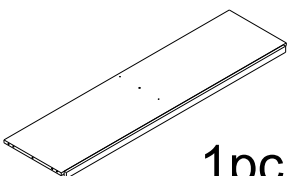
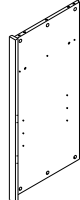
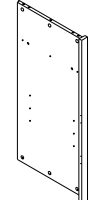
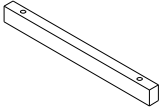
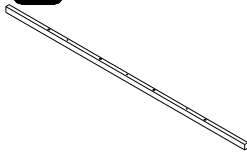
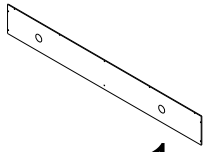
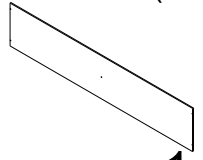
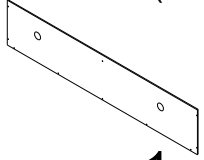
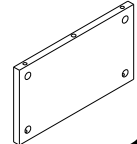
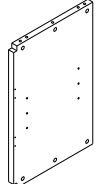
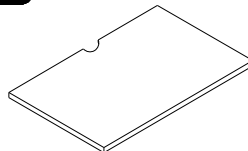
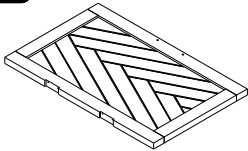
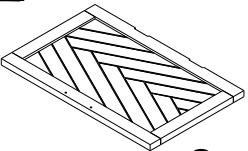
# FRONT

If you have any questions, please feel free to contact us.  
Email: [lowes.team@qualfurn.net](mailto:lowes.team@qualfurn.net)

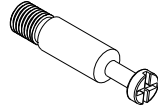
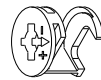



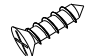

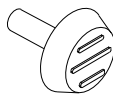
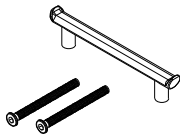
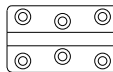
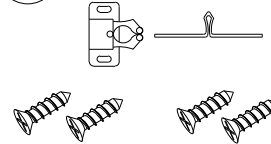
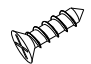


REV\_23/04/2024

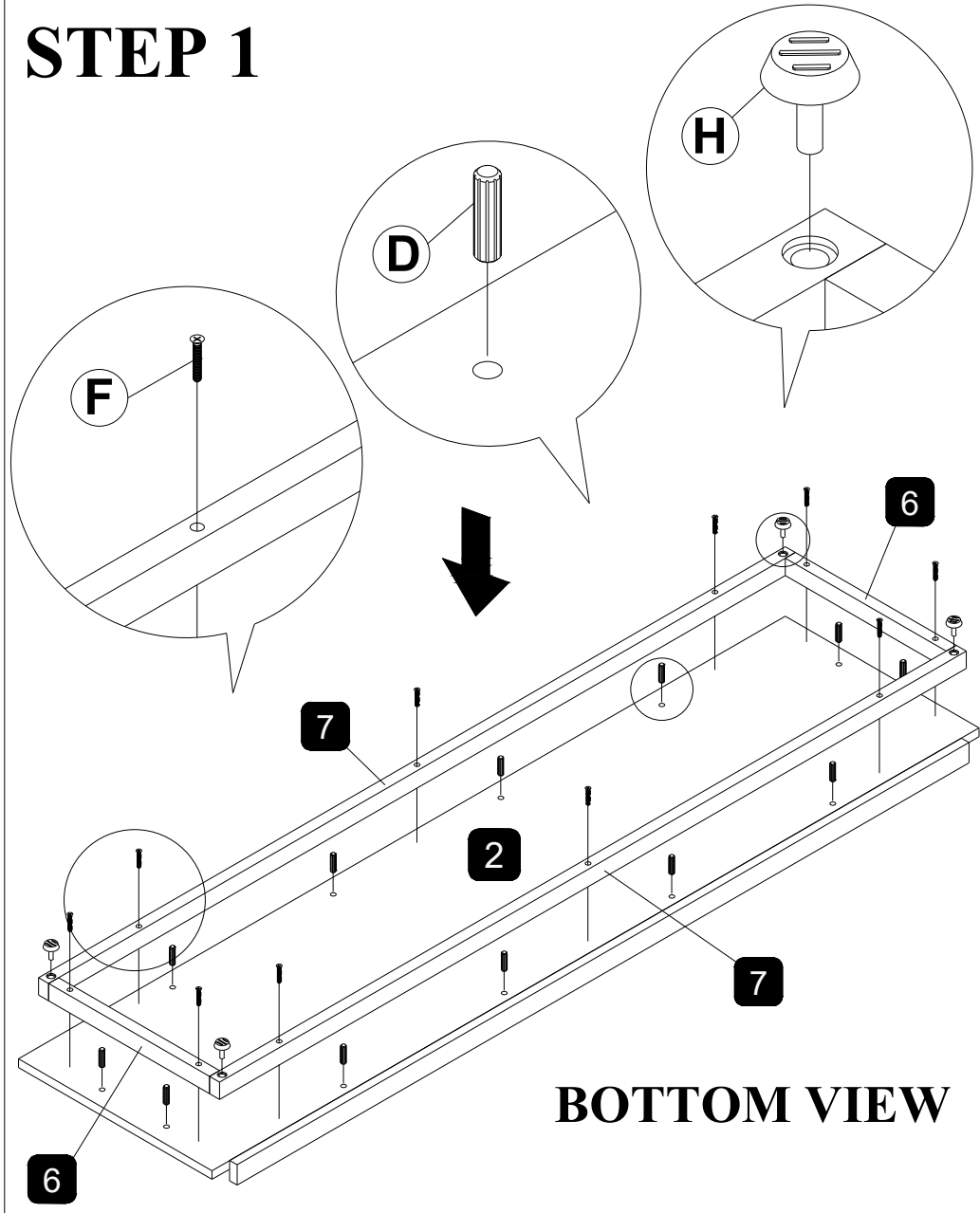
# PART LIST

<b>1</b> Top Panel  1pc	<b>2</b> Bottom Panel  1pc	<b>3</b> Center Panel  1pc	<b>4</b> Side Panel(L)  1pc	<b>5</b> Side Panel(R)  1pc	<b>6</b> Bottom Side Rail  2pcs
<b>7</b> Bottom Front&Rear Rail  2pcs	<b>8</b> Back Panel(upper)  1pc	<b>9</b> Back Panel(center)  1pc	<b>10</b> Back Panel(lower)  1pc	<b>11</b> Division(upper)  1pc	<b>12</b> Division(lower)  1pc
<b>13</b> Shelf Panel  2pcs	<b>14</b> Door (L)  2pcs	<b>15</b> Door (R)  2pcs			

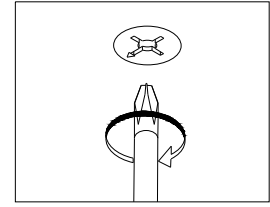
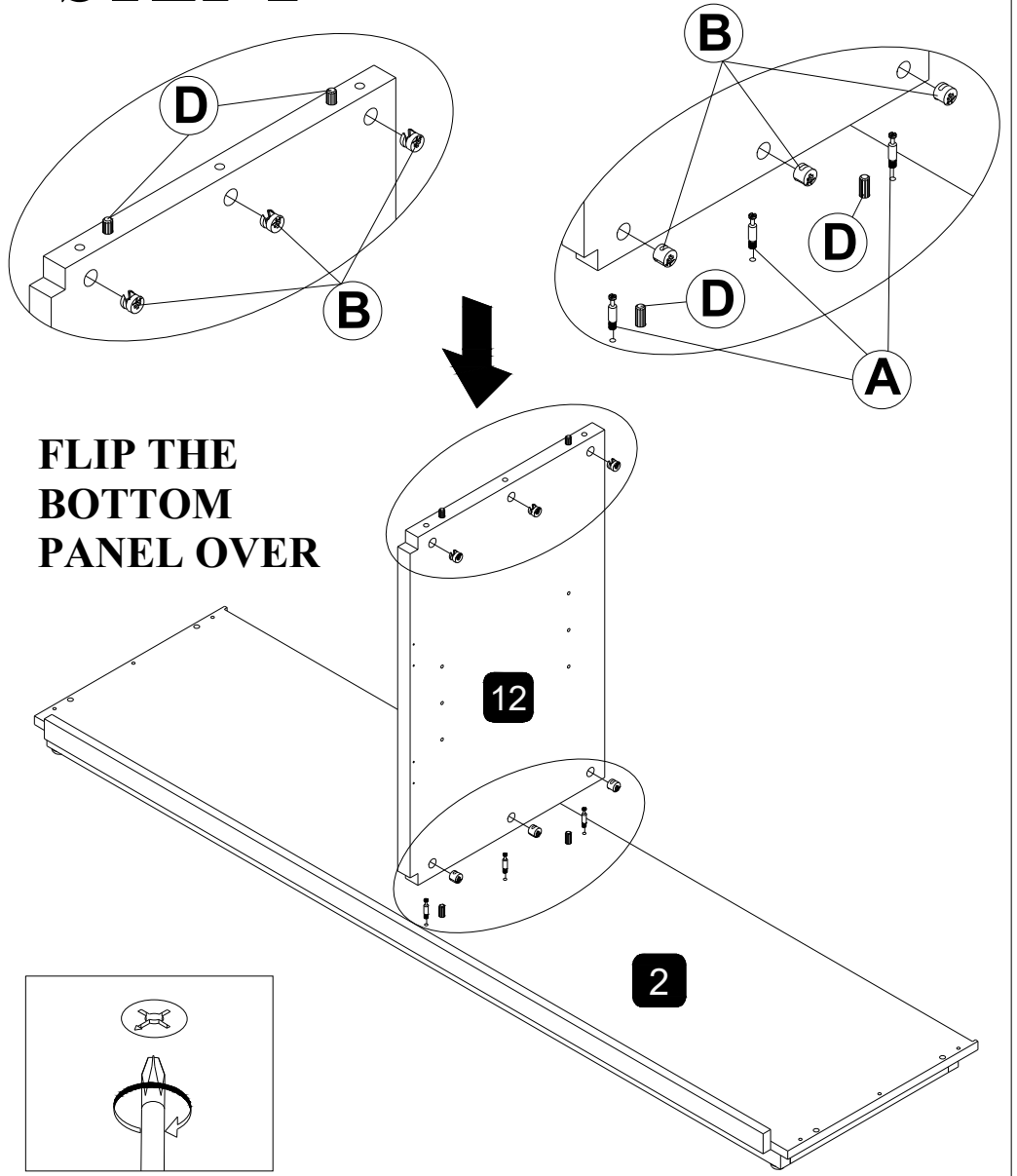
# HARDWARE LIST


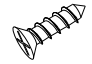

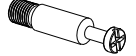



<b>A</b> MINI FIX SPREADING BOLT 24MM  28pcs	<b>B</b> MINIFIX HOUSING Ø15*12MM  6pcs	<b>C</b> MINIFIX HOUSING Ø15*10MM  22pcs	<b>D</b> WOOD DOWEL M8*30MM  30pcs	<b>E</b> PAN HEAD M3.5*16MM  25pcs	<b>F</b> CSK SCREW M4*30MM  10pcs
<b>G</b> SHELF SUPPORT  8pcs	<b>H</b> ADJUSTABLE  4pcs	<b>I</b> HANDLE  4sets	<b>J</b> HINGES  8pcs	<b>K</b> DOUBLE ROLLER CATCH  4sets	<b>L</b> CSK SCREW M3.5*16MM  32pcs

# STEP 1

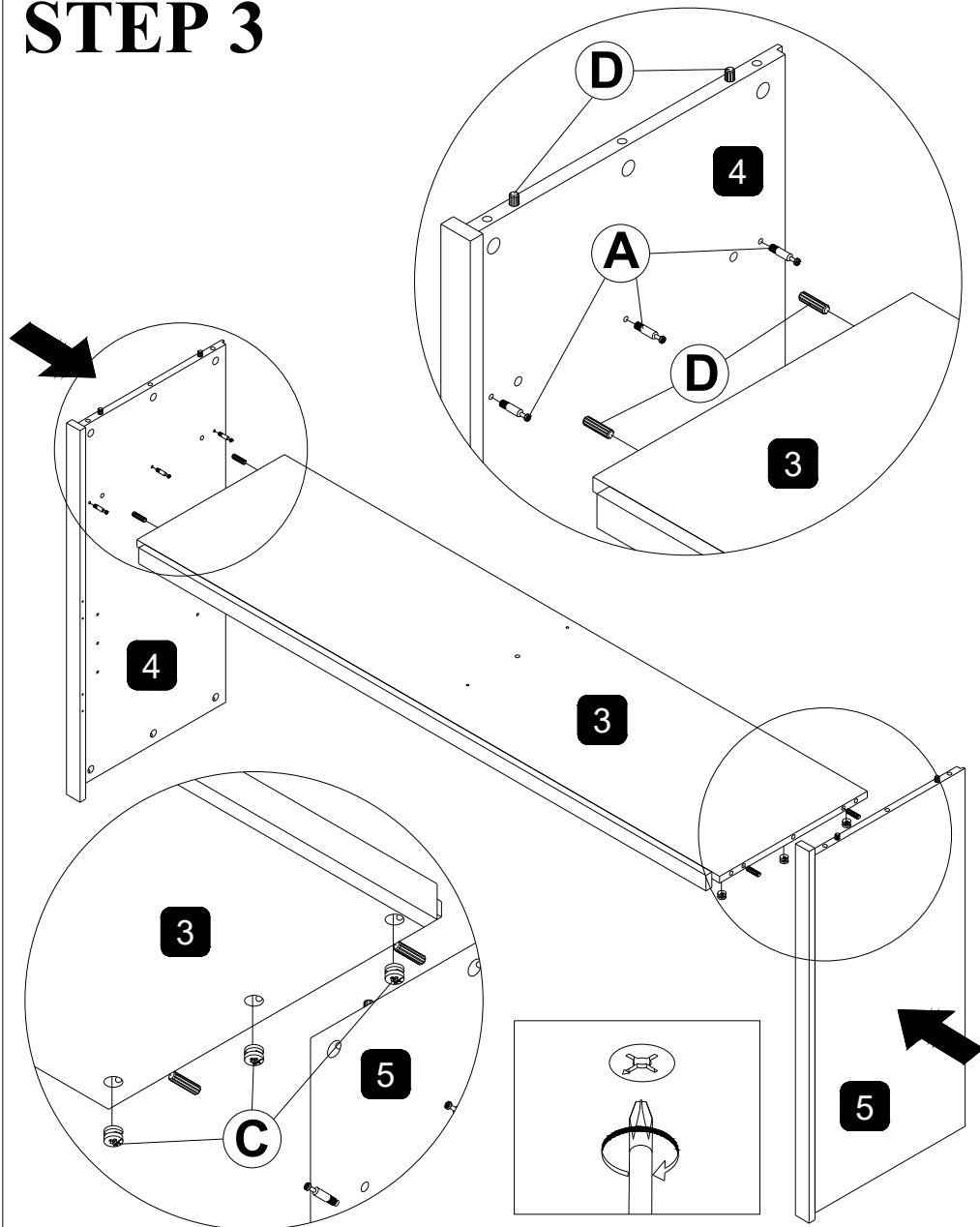


# STEP 2

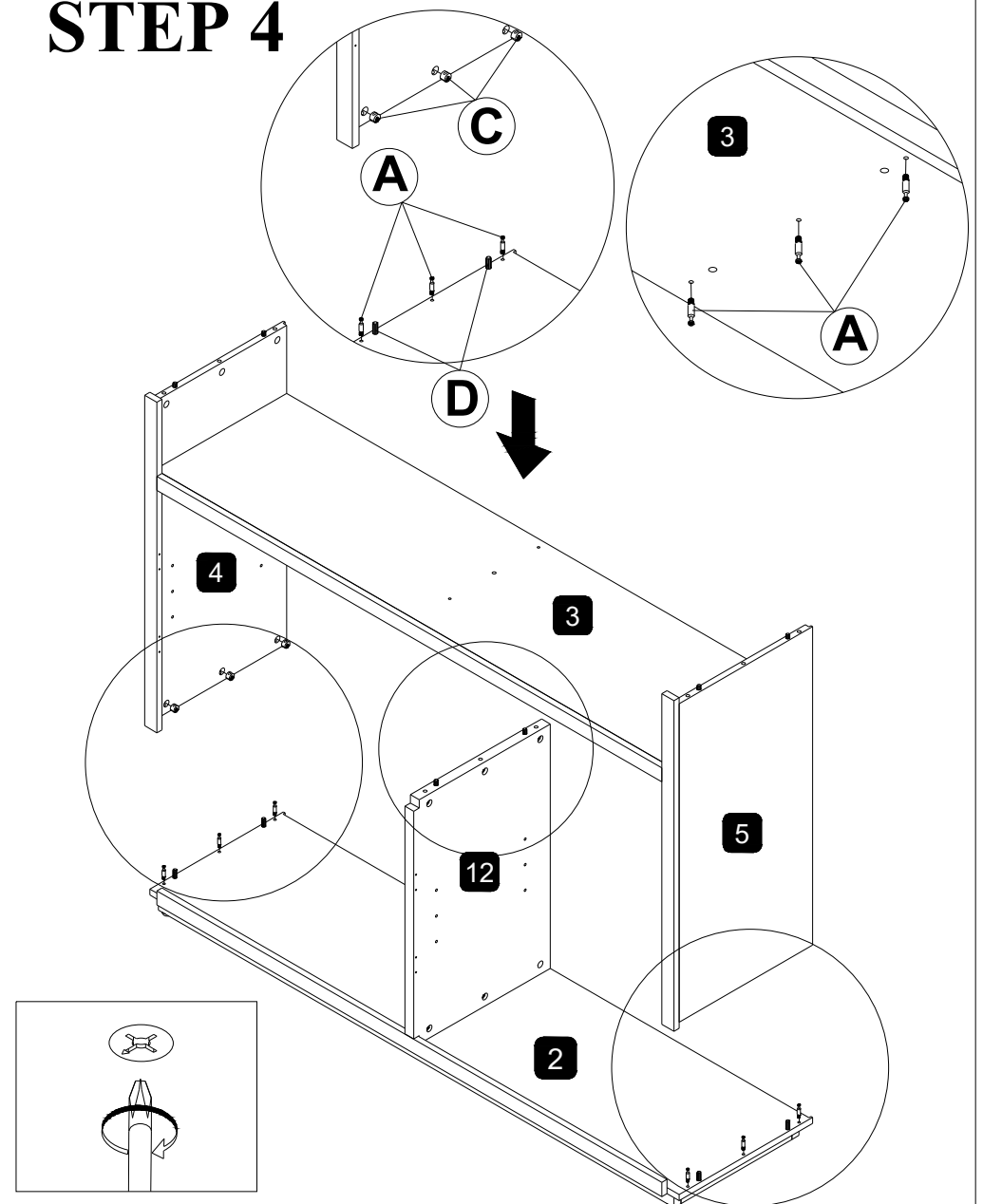


 <b>D X 12pcs</b>	 <b>F X 10pcs</b>	 <b>H X 4pcs</b>		 <b>A X 3pcs</b>	 <b>B X 6pcs</b>	 <b>D X 4pcs</b>	
---	---	--	--	--	--	--	---

# STEP 3




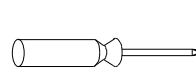
# STEP 4



 A X 6pcs


 C X 6pcs

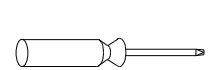
 D X 8pcs



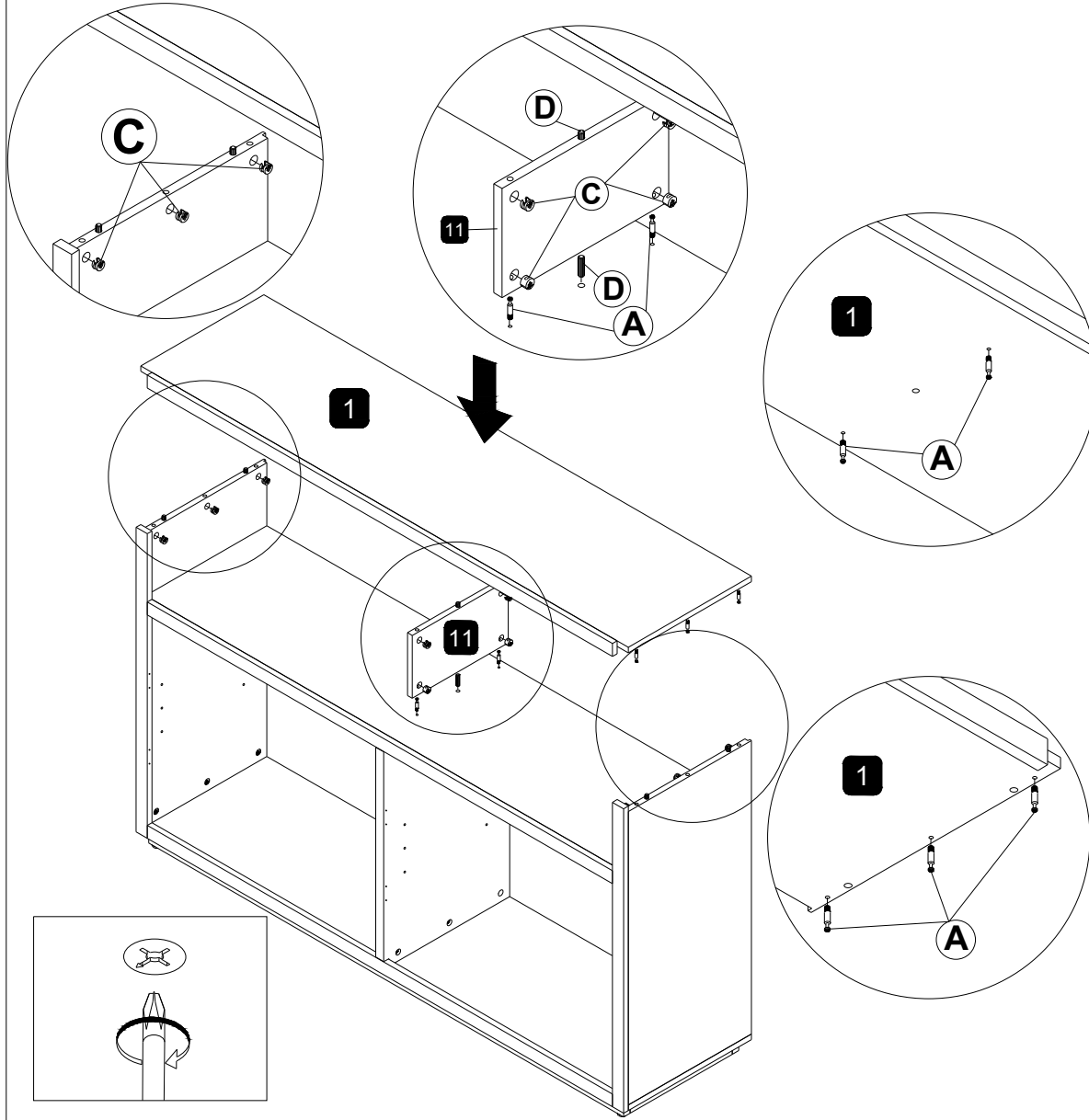
 A X 9pcs

 C X 6pcs

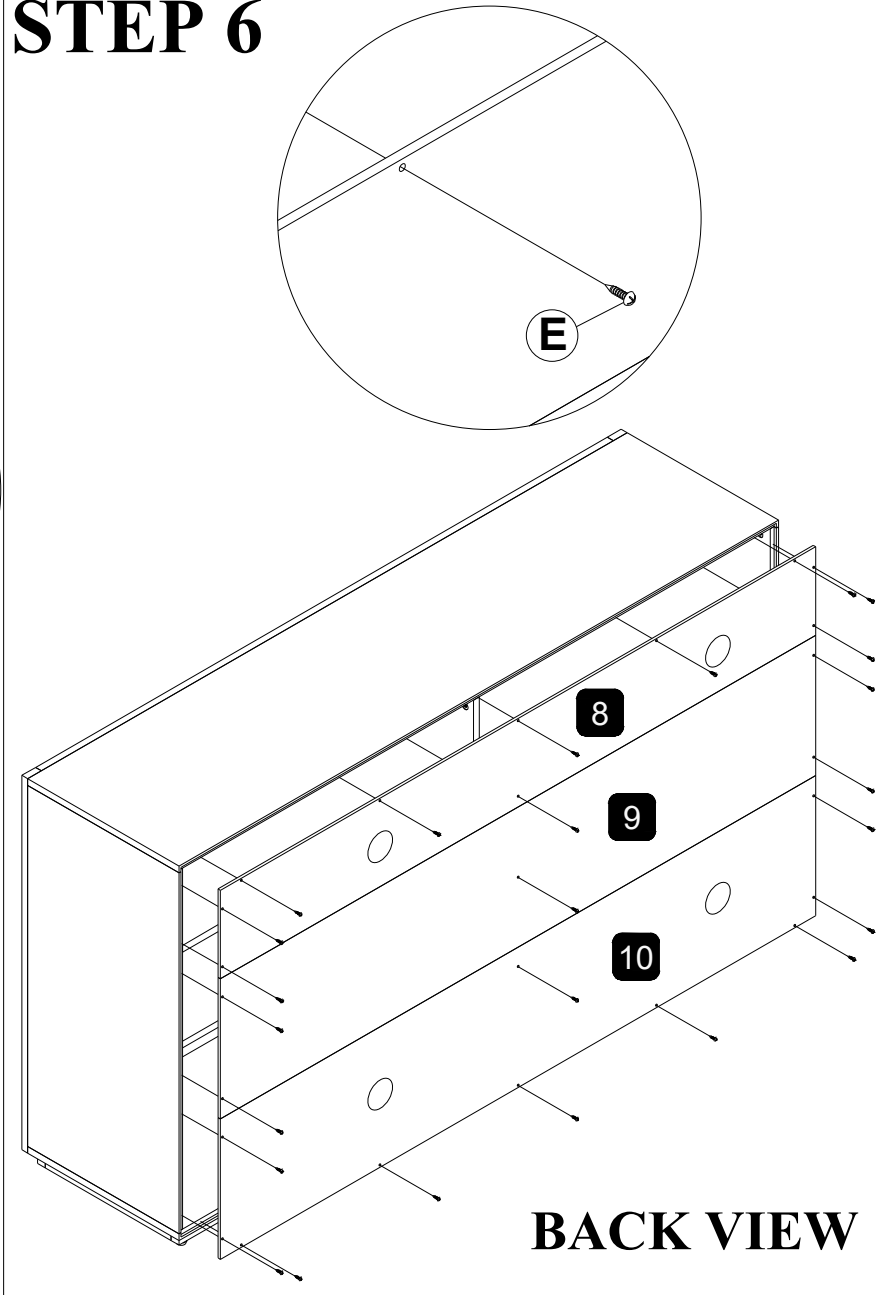
 D X 4pcs

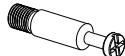


# STEP 5




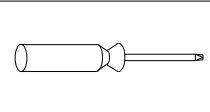
# STEP 6



  
A X 10pcs

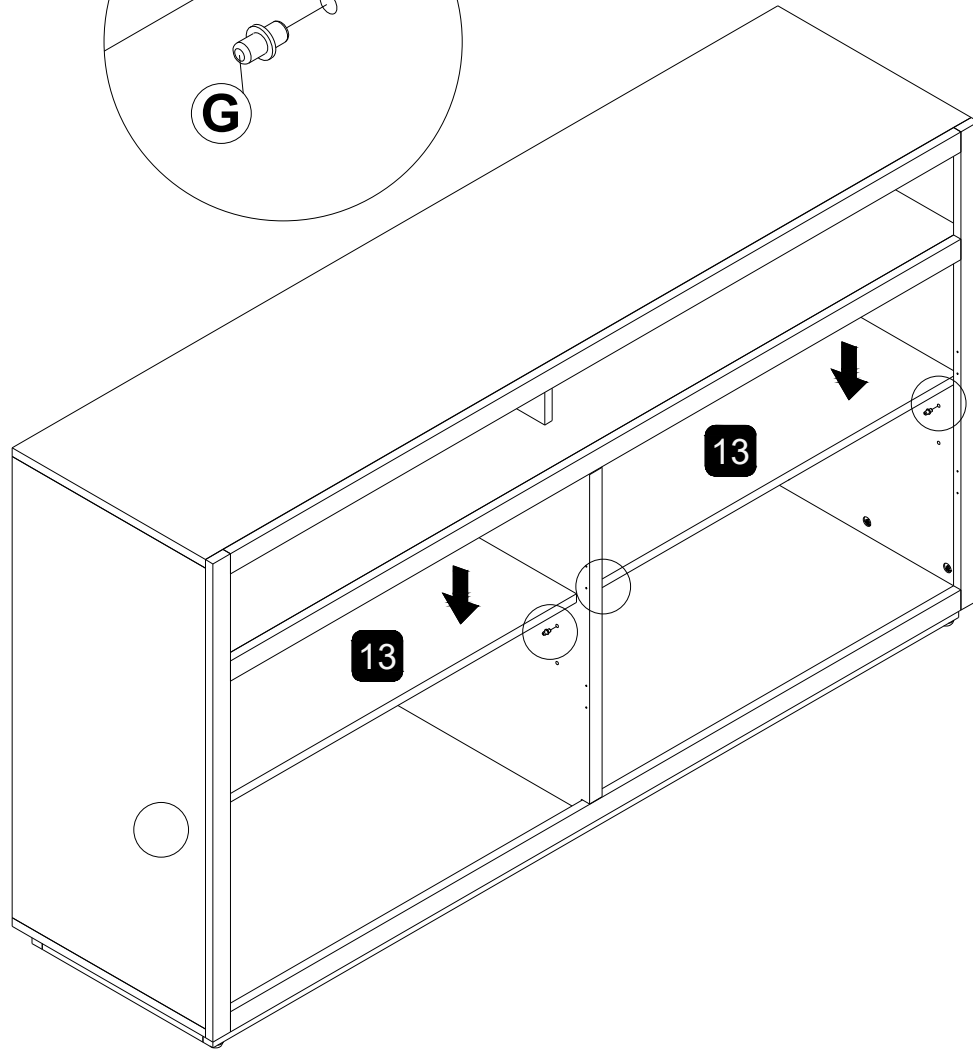
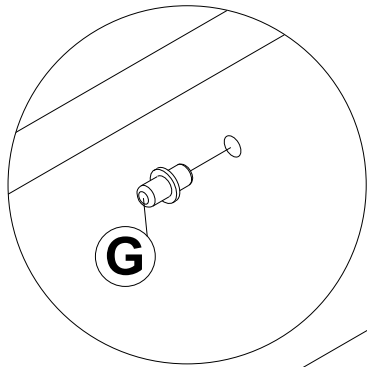
  
C X 10pcs

  
D X 2pcs

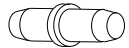
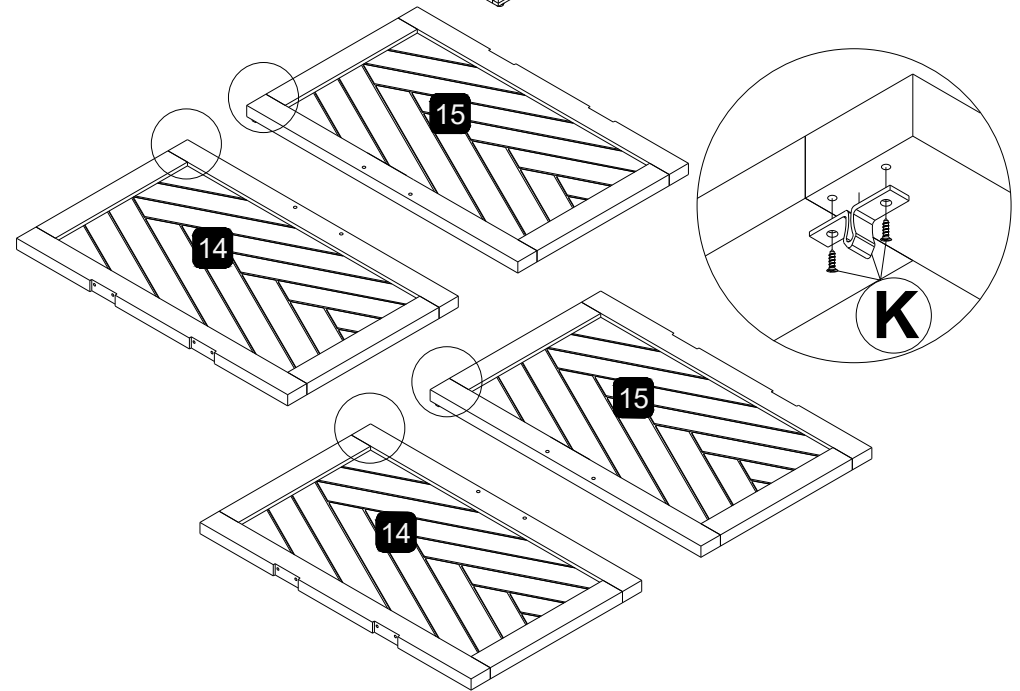
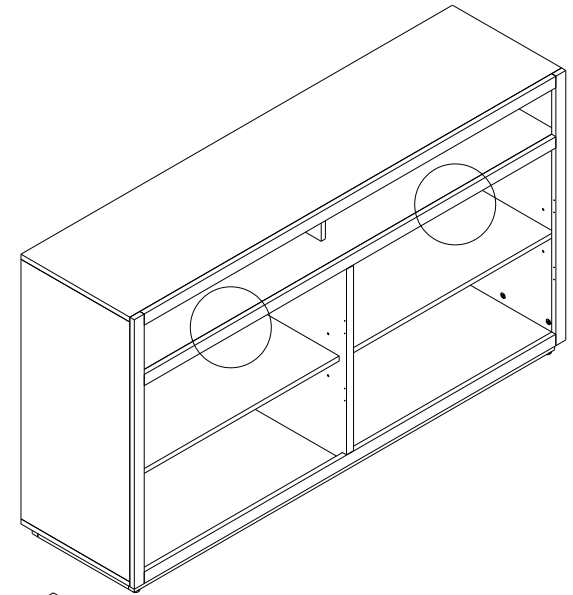
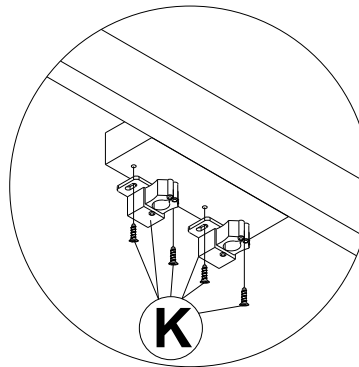


  
E X 25pcs

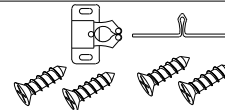
# STEP 7



# STEP 8

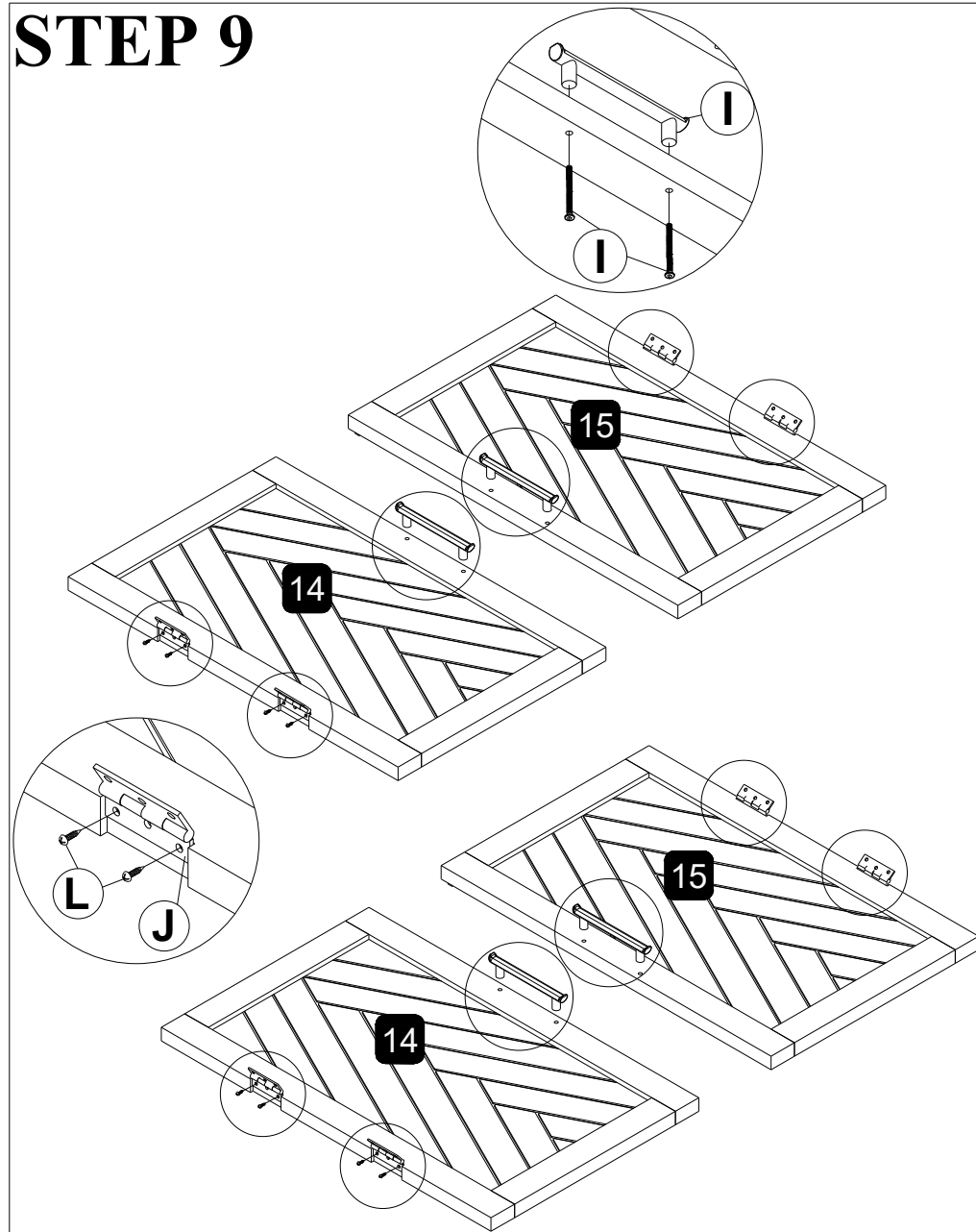


G X 8pcs

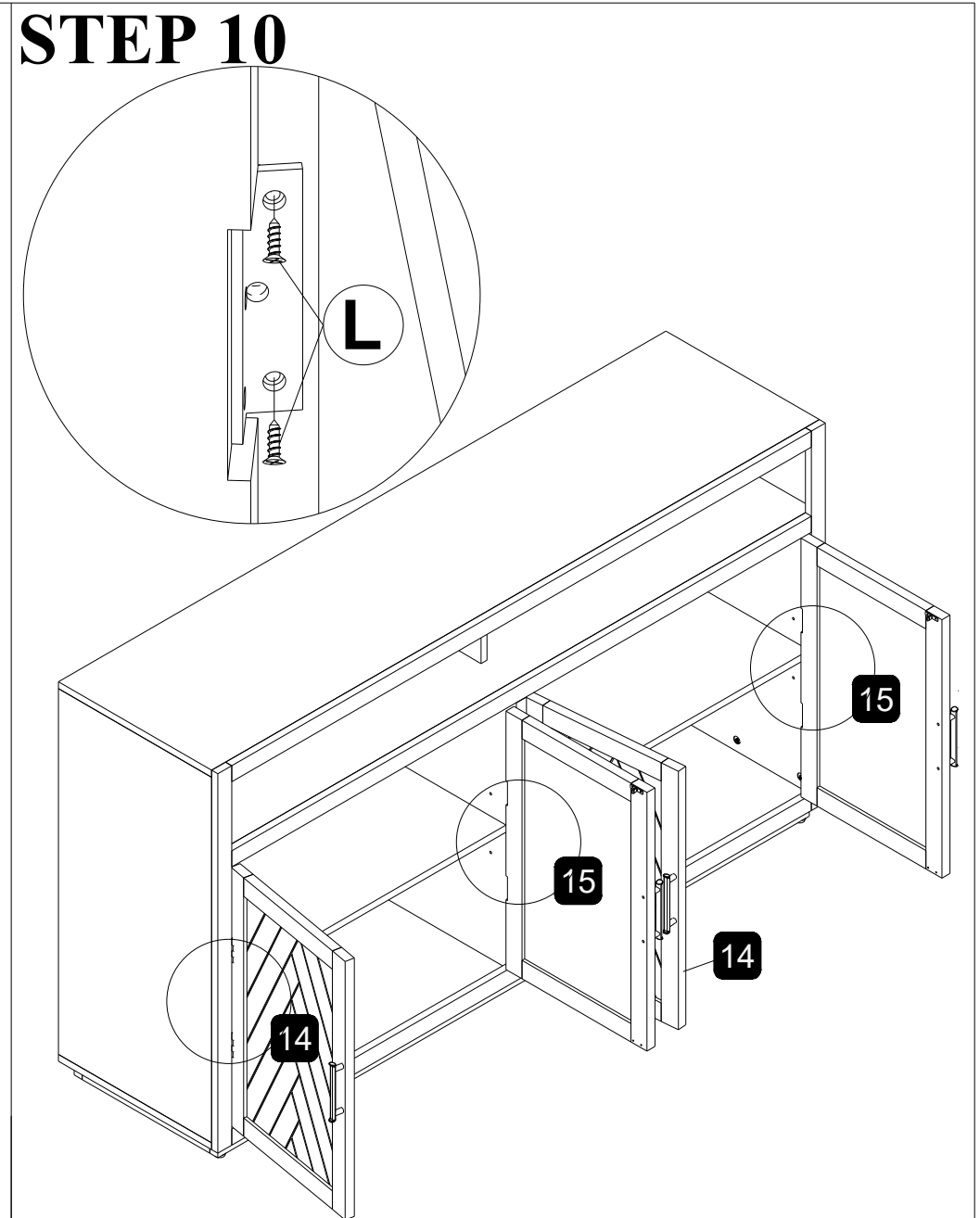


K X 4sets

# STEP 9



# STEP 10



I X 4sets

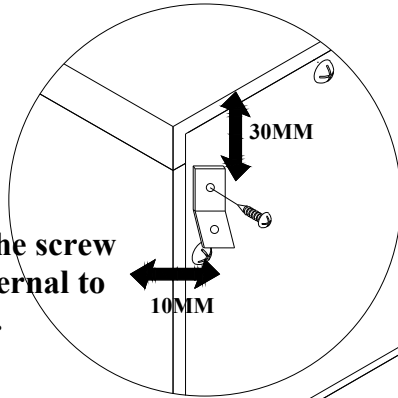
J X 8pcs

L X 16pcs

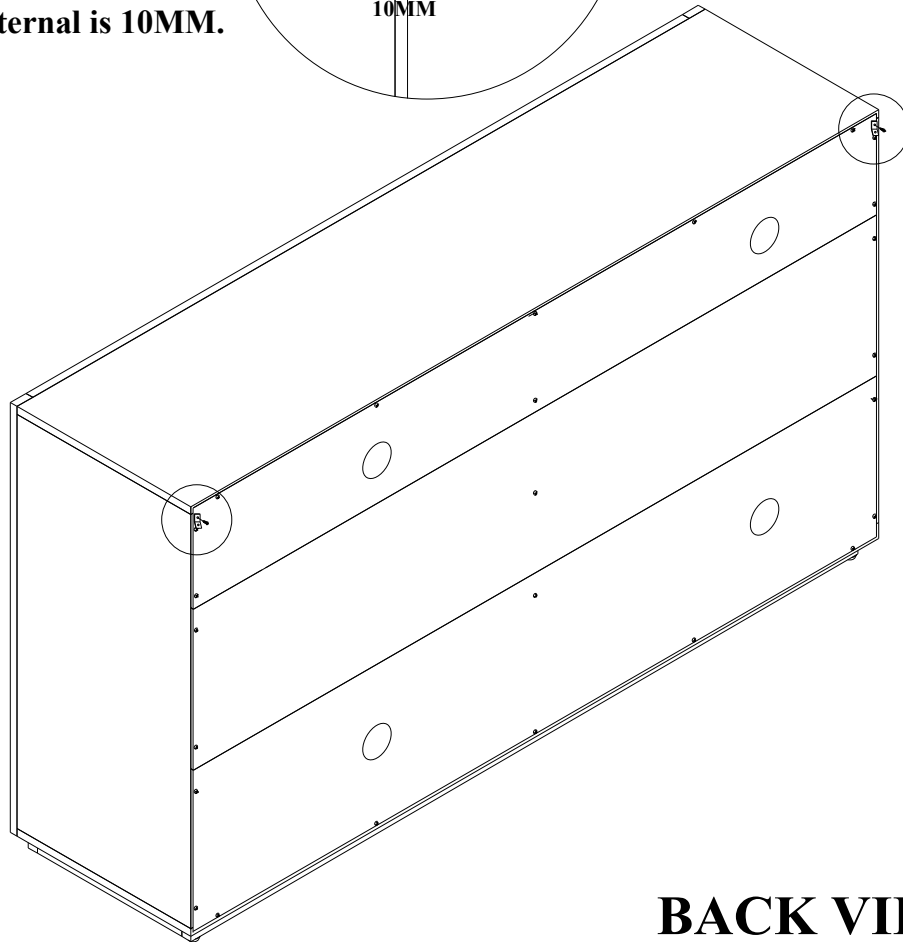
L X 16pcs

**Anti Tipping Kits was provided along with the hardware. Carefully assembly if required.**

**Distance to drill the screw measure from external to internal is 10MM.**



**Distance to drill the screw measure from upper to lower is 30MM.**



**BACK VIEW**

# **ASSEMBLY COMPLETE**

