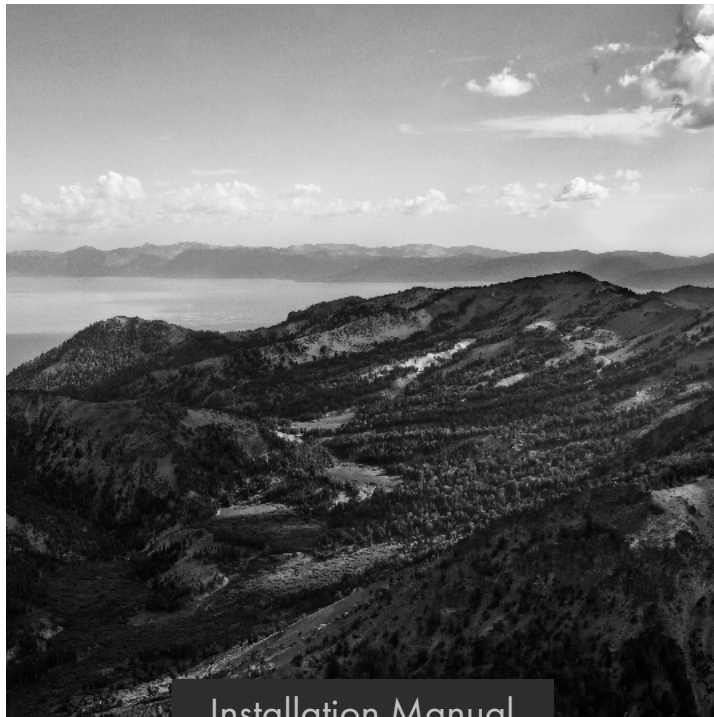


ZLINE

ATTAINABLE LUXURY[®]



Installation Manual

BUILT-IN REFRIGERATORS

www.zlinekitchen.com



ZLINE Kitchen and Bath provides Attainable Luxury, where the kitchen and bath of your dreams is never out of reach. Through our unique designs and unparalleled quality, we're dedicated to providing you an elevated experience in the heart of your home. With an endless selection of features and finishes, our inspiration is your reality.

ZLINE
ATTAINABLE LUXURY®



ZLINE is fueled by a passion for innovation; A relentless pursuit of bringing the highest end luxury designs and professional features into everyone's homes.

Because we continually strive to improve our products, we may change specifications and designs without prior notice.

⚠ WARNING: This product can expose you to chemicals including nickel, which is known to the State of California to cause cancer. For more information, go to www.P65Warnings.ca.gov.

TABLE OF CONTENTS

IMPORTANT SAFETY INSTRUCTIONS	1
BEFORE INSTALLATION	9
Location Of The Electrical Wiring	12
Location Of The Water System	13
Product Dimensions	15
Parts Provided	27
INSTALLATION	30
Removing The Freezer Door	31
Preparing For Placing The Refrigerator Into The Cabinet	40
Door Panel Preparation	51
Reinstalling The Freezer Door	70
Hinge Adjustment	74
Changing The Direction Of The Refrigerator Door	75
WARRANTY	88

IMPORTANT SAFETY INSTRUCTIONS

PLEASE READ THIS MANUAL BEFORE INSTALLING AND USING THE PRODUCT

- Always follow the applicable safety instructions.
- The installer should leave these instructions with the consumer who should retain for local inspectors' use and for future reference.
- Please read all other documents provided with this product.
- Please keep in mind this manual may apply to several product models.
- This manual expressly indicates the differences between various models.
- **IMPORTANT:** This is a complex installation procedure that should only be performed by qualified professionals and technicians.
- The manufacturer will not be responsible for any damage to property or to persons caused by incorrect installation, improper use of the appliance, or failure to heed the warnings listed.

Symbols used in the installation manual are as follows.



Important information and useful hints.



Conditions that may damage the product or its operating functions.



Conditions containing serious injury risk.



Conditions containing electric shock risk.

IMPORTANT SAFETY INSTRUCTIONS



WARNING

R600A REFRIGERANT

This product contains R600a isobutane refrigerant, which is a very eco-friendly natural gas. However, it is also flammable. Please follow the warnings and installation instructions below:

- If the product has been transported horizontally, you must wait a minimum of 4 hours after standing it upright before plugging it in.
- Cut-out dimensions of the installation area must be suitable to safely fit the product for full installation.
- Dimensions, features, and position of objects used to support and affix the product to this area must be suitable.
- Minimum clearances between product parts and surrounding structures must be suitable.
- Minimum dimensions and proper organization of ventilation holes must be observed.
- The product must be connected to the main power outlet, and corresponding connections of other components must be suitable.
- The product must be able to be disconnected from the power supply if needed after installation.
- The outlet or fuse must be accessible to disconnect the product.
- Extension cables or ungrounded (two-terminal) adapters must not be used with this unit.



ATTENTION

You must wear gloves and eye protectors when installing the product. You must also take measures against high noise levels when using a drill to drill into the floor or wall.



ATTENTION

Make sure that your product is suitable for your local codes.



ATTENTION

The product must be installed by a qualified technician according to the installation instructions.



WARNING

The product may tip over since it is quite heavy. For this reason, safety precautions must be taken. The doors of the product must be kept closed until it reaches the final install destination, and it must be transported in accordance with the installation instructions.

IMPORTANT SAFETY INSTRUCTIONS

DISPOSING OF THE PACKAGING MATERIALS

- The package has been designed to protect the product during transport and shipping. The packaging materials used are designed to not harm the environment and should be recycled after the appliance is installed.
- All plastic packaging materials, bags, etc., must be disposed of safely and kept out of the reach of children.



This Installation Manual has been prepared to help qualified professionals with installation of the appliance. The User Manual provided with the product must also be taken into consideration, as it contains important information about operation and safety. You may get seriously injured and your product may get damaged if you ignore the warnings given in this manual. Please read the following carefully.

COMPLIANCE WITH THE WEEE DIRECTIVE AND DISPOSING OF E-WASTE:

- This product conforms to the EU WEEE Directive (2012/19 EU).
- This product bears a classification symbol for "waste electrical and electronic equipment," otherwise known as WEEE.
- This product has been manufactured from high-quality parts and materials that can be reused and are suitable for recycling.
- Therefore, do not dispose of the product with normal domestic waste or other waste at the end of its service life.
- Take it to a collection center for recycling electrical and electronic equipment.
- Please consult your local government authority to learn about appropriate collection center location.



IMPORTANT SAFETY INSTRUCTIONS

CLIMATE CLASS

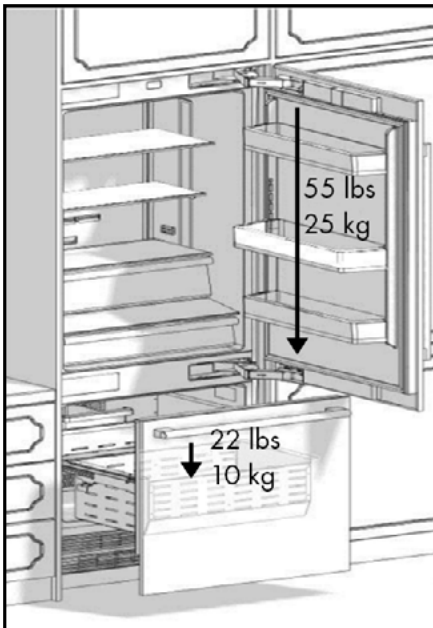
CLIMATE RANGE	AMBIENT TEMPERATURE OF THE ROOM	This appliance has been designed to be used in certain climate ranges (ambient temperatures). It must not be used out of this range.
Northern Hemisphere	Between 61 °F (16 °C) and 90 °F (32 °C)	
Southern Hemisphere	Between 61 °F (16 °C) and 100 °F (38 °C)	

PRODUCT WEIGHT

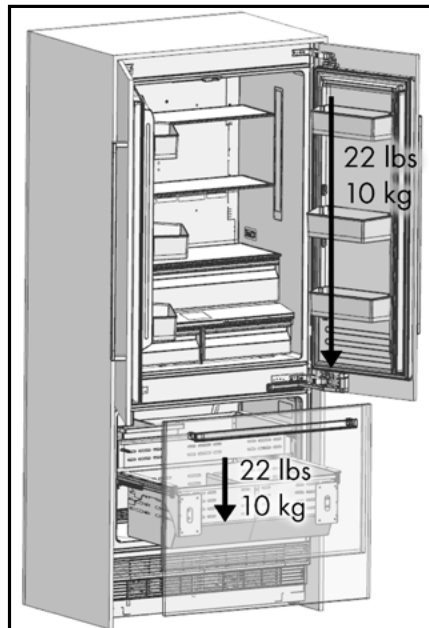
CATEGORY	RBIV-30	RBIV-36
Product Weight	342 lbs (155 kg)	355 lbs (161 kg)

LOAD BEARING CAPACITY OF THE DOORS

MAX LOAD	RBIV-30	RBIV-36
Refrigerator Door	55 lbs (25 kg)	22 lbs (10 kg)
Freezer Door	22 lbs (10 kg)	22 lbs (10 kg)



RBIV-30



RBIV-36

IMPORTANT SAFETY INSTRUCTIONS

INSTALLATION ENCLOSURE

You must follow the instructions below:

- The floor on which the product will be installed must be capable of bearing a minimum of 1,200 pounds (544 kg).
- The kitchen floor and bottom of the product must be at the same level. Otherwise, the air flow for the unit's cooling system may be impeded or reduced.
- There must be no objects preventing installation of the product to the back and side walls of the product's cut-out installation area.
- The electrical outlet receptacle must be properly located and easily accessed.
- Cut-out dimensions of the cabinets where the product will be installed must be in strict conformity with the dimensions given in the manual.
- Do not install the refrigerator directly adjacent to another refrigerator. Otherwise, condensation and damage may occur. (Please see "Dual Cabin Installation" on page 10 for imagery)
- Check if the floor where the product will be installed is level. Use a level when doing so to be sure.
- The installation area must not be subjected to direct sunlight and it must be away from heat sources, such as microwaves, ovens, radiators, etc.
- The ambient temperature must be between 61 °F (16 °C) and 100 °F (38 °C), depending on where the unit is installed. Otherwise, function errors may occur when the product is running.
- If it is not possible to avoid installing the product near a heat source, the minimum clearances given below must be maintained:
 - 1 3/16" (30 mm) from electric ranges or ovens.
 - 12" (305 mm) from gas or fuel operated ranges or ovens.

IMPORTANT SAFETY INSTRUCTIONS

Please observe the following rules:

- The dedicated circuit breaker for this unit must be easily accessible in case of an emergency; it must not be hidden behind the product.
- The electrical plug and cord must not touch the back surface of the product. Otherwise, it may get damaged due to the vibration of the product.
- Do not connect the plugs of other appliances behind this product.
- If the humidity level is high where the product is used, corrosion may occur on the outer surface of the product. Keep the area where the unit will be installed dry and well-cleaned to avoid corrosion.



CAUTION

To avoid the risk of electric shock:

- Connect the plug to a dedicated grounded electrical outlet.
- Do not remove the ground terminal of the plug.
- Do not use adapters.
- Do not use extension cables or cords.



ATTENTION

Do not install your refrigerator:

- In open areas.
- In environments where water is dripping.
- In environments where temperature is lower than 61 °F (16 °C).

IMPORTANT SAFETY INSTRUCTIONS



Failure to follow these instructions may result in death, fire, or electric shock. Connecting the grounding conductor of the equipment to an improper place may lead to electric shock. Please have the grounding checked by a qualified electrician or service technician.

Installation, repair, and other procedures performed by unqualified persons may cause danger. Before installing the appliance, make sure that the voltage, load, and circuit current parameters on the data plate are in compliance with the power mains in your house.

The appliance is provided with a NEMA 5-15P plug and a 3-pin power cable, which is in the UL list and ready to be connected to a 120VAC, 60Hz power supply. The fuse is 15 amps, and the appliance must be connected to a dedicated electrical outlet.

If combining two RBIV-30 units into an RBIV-60 model, ZLINE recommends both be plugged into independent circuits. They can be plugged into the same outlet, but the circuit must have a dedicated 15-amp breaker.

If the electrical wiring or power supply of the house needs alteration, the necessary procedures must be performed by a qualified electrician. The plug must be installed only by a licensed electrician.

CABINETS

- Make sure that the cabinets where you will install the appliance have been safely mounted in your kitchen. Your cabinets must be securely connected to the floor and walls properly and with suitable connections.
- For the best installation, clearances between the cabinets and the product must be in compliance with the values specified in the installation instructions of this manual.
- Side walls must be free of any obstructions and their surfaces must be flat.
- NOTE: Minimum thickness of the side walls is 5/8" (16 mm). The minimum thickness of the doors to be attached to the product must be 3/4" (19 mm).

IMPORTANT SAFETY INSTRUCTIONS

VENTILATION

Ventilation panels where the air enters and exits the unit must not be blocked or obstructed. In addition, you must periodically clean the dust and dirt that accumulates on the vent holes to ensure adequate ventilation.

ELECTRICAL CONNECTION

- Never use an extension cable or cord with this unit.
- The dedicated electrical outlet receptacle for this unit must be grounded and checked by an authorized electrician.
- The location of the electrical wiring must comply with the dimensions specified in this installation manual.



CAUTION

RISK OF ELECTRIC SHOCK

Electrical grounding is necessary. This appliance is equipped with a 3-pin plug to protect you against possible electric shocks.

- Do not remove the round grounding terminal from the plug.
- Do not use 2-pin grounding adapters.
- Do not use extension cables or cords to energize the product.



ATTENTION

Do not connect the grounding cable to any gas pipes. Please have the grounding checked by a qualified electrician if you are not sure about the grounding of the product. Do not install a fuse on the neutral line or grounding circuit.



WARNING

Please wait 3-6 hours after installing the unit before plugging it in to protect it against possible damages. This way, the refrigerant and the lubricants in the system are given proper time to balance.

WATER CONNECTION

The pressure of the main water supply must be in compliance with the values specified in this manual, and the location of the water system must comply with the dimensions specified in this manual.



INFO

A bypass is recommended for the water filtering system if a reverse osmosis system is used.

BEFORE INSTALLATION

TOOLS REQUIRED

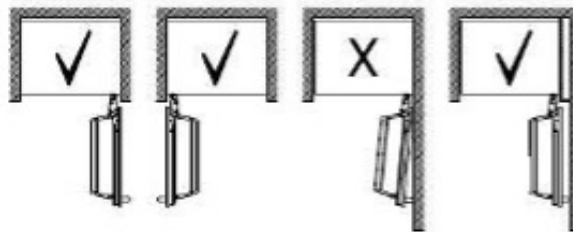
Tools to be used when installing the product are as follows (additional tools that may assist in installation are not listed here):

TOOLS REQUIRED (NOT PROVIDED)	
<ul style="list-style-type: none">• Cordless Drill• Safety Goggles• 1/2" Wrench• Hammer• Ladder• 3/32" Drill Bit• 5/16" Drill Bit• Box Cutter• Socket Wrench	<ul style="list-style-type: none">• Safety Gloves• Tape Measure• 1/4" Torx Bit• 1/4" Flat Wrench• 1/4" Hex Bit• Level• Dolly or Hand Truck• Tape

ALTERNATIVES FOR INSTALLATION

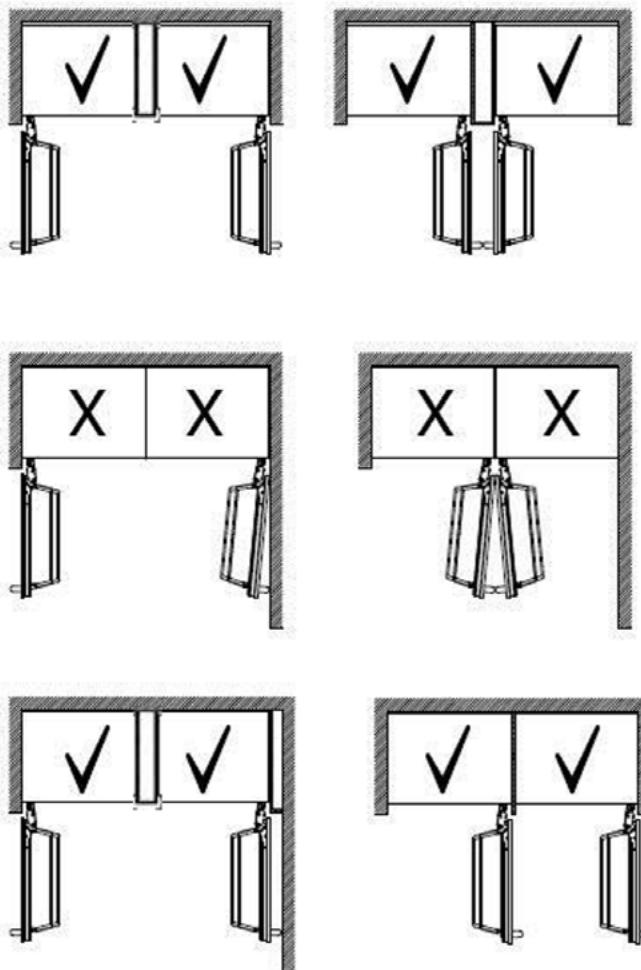
- The product can be placed in various ways based on the kitchen design. It must be installed at a place where it is ensured that the door can be opened and closed properly.
- If the doors cannot be opened 90° at least, you cannot completely open the drawers inside the product. Note: The unit's hinges are designed to allow doors to open up to 115°.

SINGLE CABIN INSTALLATION METHODS



BEFORE INSTALLATION

DUAL CABIN INSTALLATION METHODS (RBIV-60)



Scan the QR code to view the most up-to-date version of our RBIV-60 Dual Built-In Refrigeration Installation Manual.

BEFORE INSTALLATION

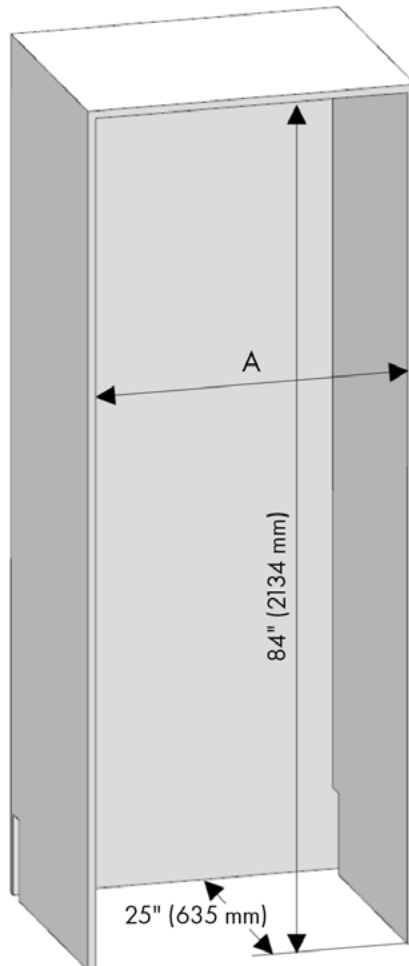
PREPARATION FOR INSTALLATION

ZLINE built-in refrigerators are panel-ready appliances designed to be a permanent fixture in your custom kitchen; therefore, precise cabinet cutouts and superior attention to detail are required for seamless integration. The most common installation scenario is the refrigerator is mounted between two kitchen cabinets or decorative columns.

CABINET CUTOUT DIMENSIONS

IMPORTANT: Kitchen layouts may vary, so the recommended dimensions below must be confirmed by a qualified technician before starting the installation.

CATEGORY		RBIV-30	RBIV-36
A	Width	30 3/16" (767 mm)	36 3/16" (919 mm)



BEFORE INSTALLATION

LOCATION OF THE ELECTRICAL WIRING

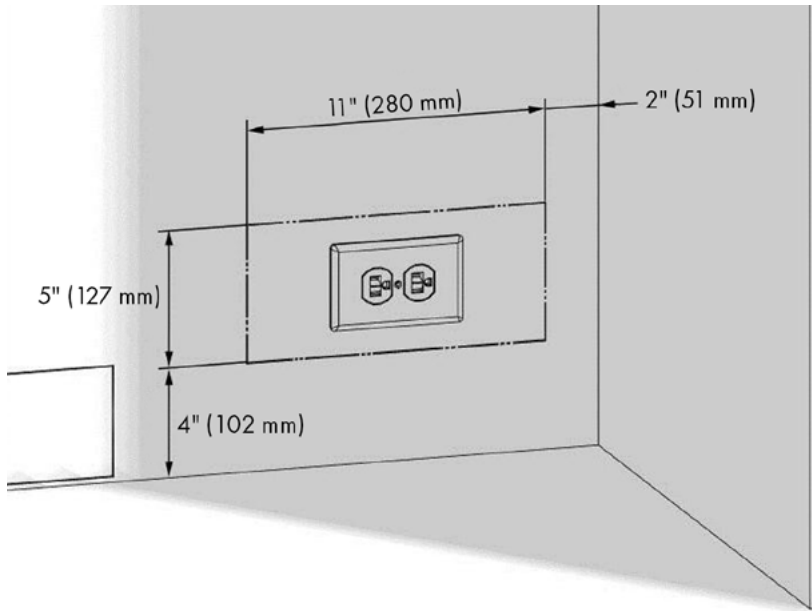
The location of the electrical outlet must be within the range provided below.



Do not use extension cables or cords or 2-pin adapters, and do not remove the ground terminal of the grounding cable.



A qualified electrician must ensure that the poles of the socket are connected correctly. A qualified electrician must also verify that the grounding of the socket is correct.



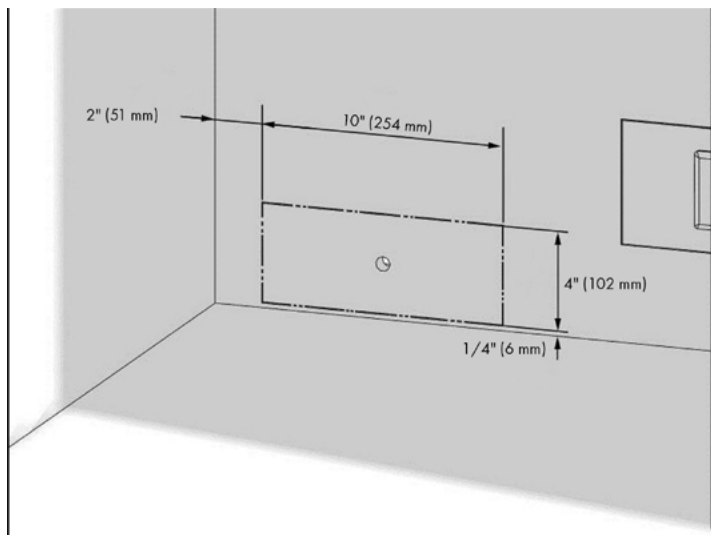
BEFORE INSTALLATION

LOCATION OF THE WATER SYSTEM

- The water connected to the refrigeration unit must be potable.
- The location of the water system must be within the range provided below.
- The unit's water system must be connected to the main water system in the house. The user must be able to switch the water system on/off with a valve when necessary.
- Objects that may pierce the water hoses or cause them to twist must not be present where the water line is installed.
- Pressure of the water system must be between 25-80 psi (1.7-5.5 Bars).
- If the water pressure exceeds 80 psi (5.5 Bars), install a pressure-limiting device or water pressure protector to the inlet valve. Never install or operate the appliance if it's possible for the water pressure to exceed 120 psi (8.3 Bars).



- Make sure there is no leakage when making water connections. Otherwise, there will be water on the floor and the cabinets may get damaged.
- You will need a hose with a minimum length of 60" (1524 mm) and a diameter of 1/4" (6.4 mm) for water connections of the product during installation.
- A connector that has a thread with an external diameter of 1/4" (6.4 mm) must be used to connect the hose end to the product.
- Before completing installation, make sure water flows and there is no leakage. Damage may occur if leaks are present.

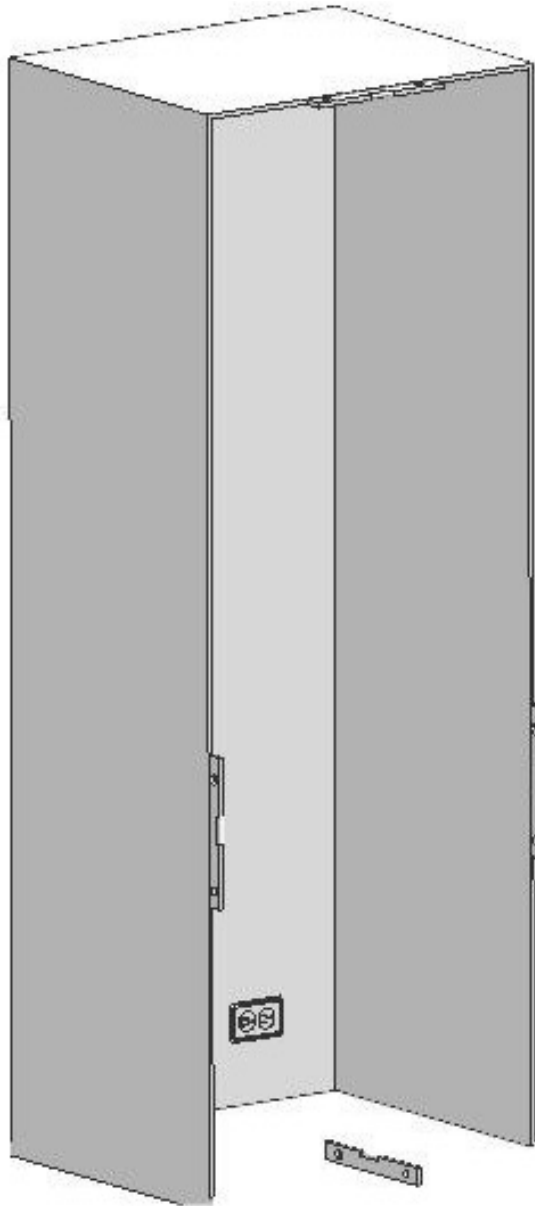


BEFORE INSTALLATION



WARNING

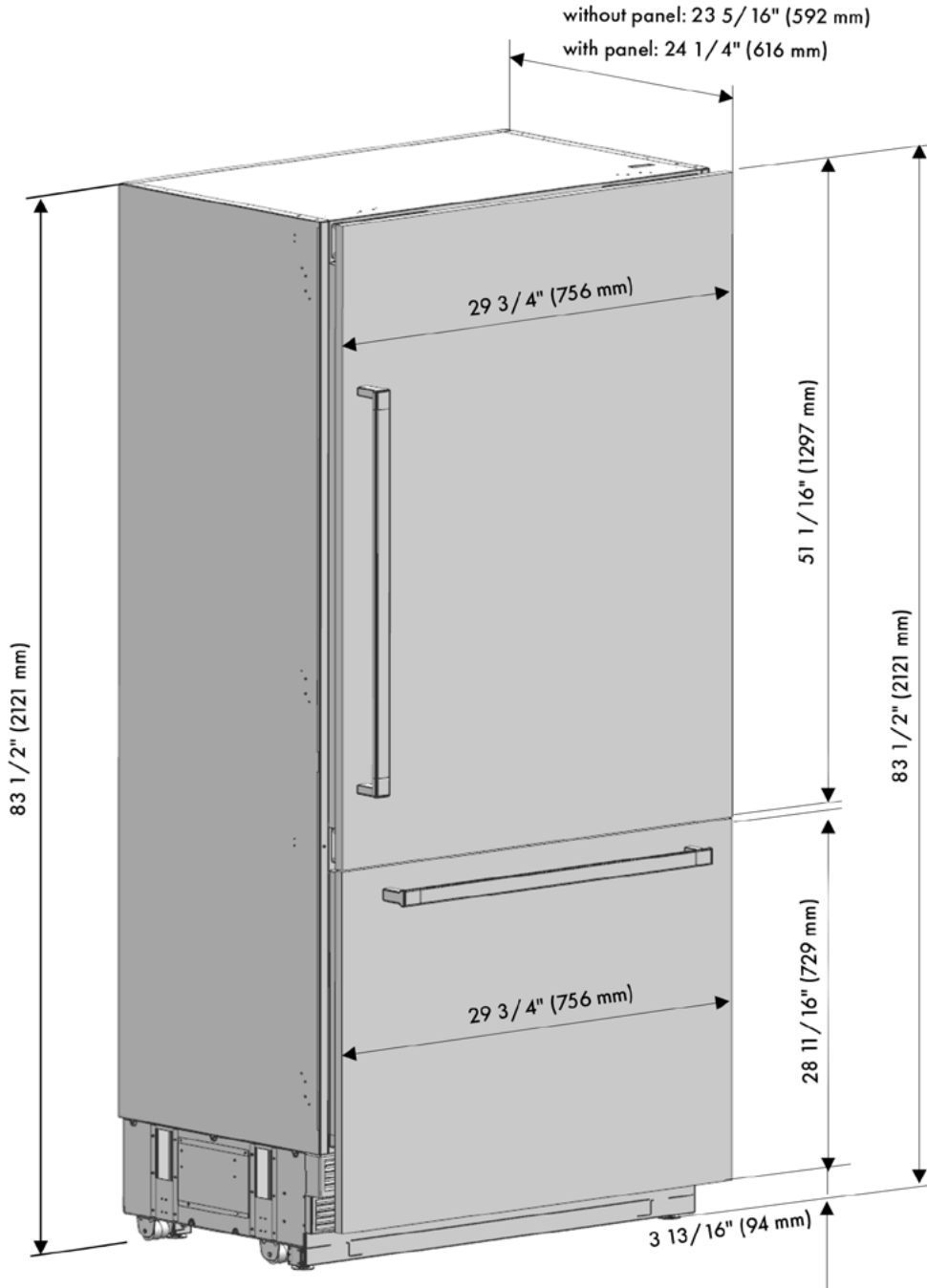
- Check if the floor where the appliance will be installed is perfectly level. Use a level as shown below.
- Check if the cabinet flanges are upright and straight using a level.
- If the product is not level and plumb, problems may arise with installation and eventual operation of the unit.



BEFORE INSTALLATION

PRODUCT DIMENSIONS

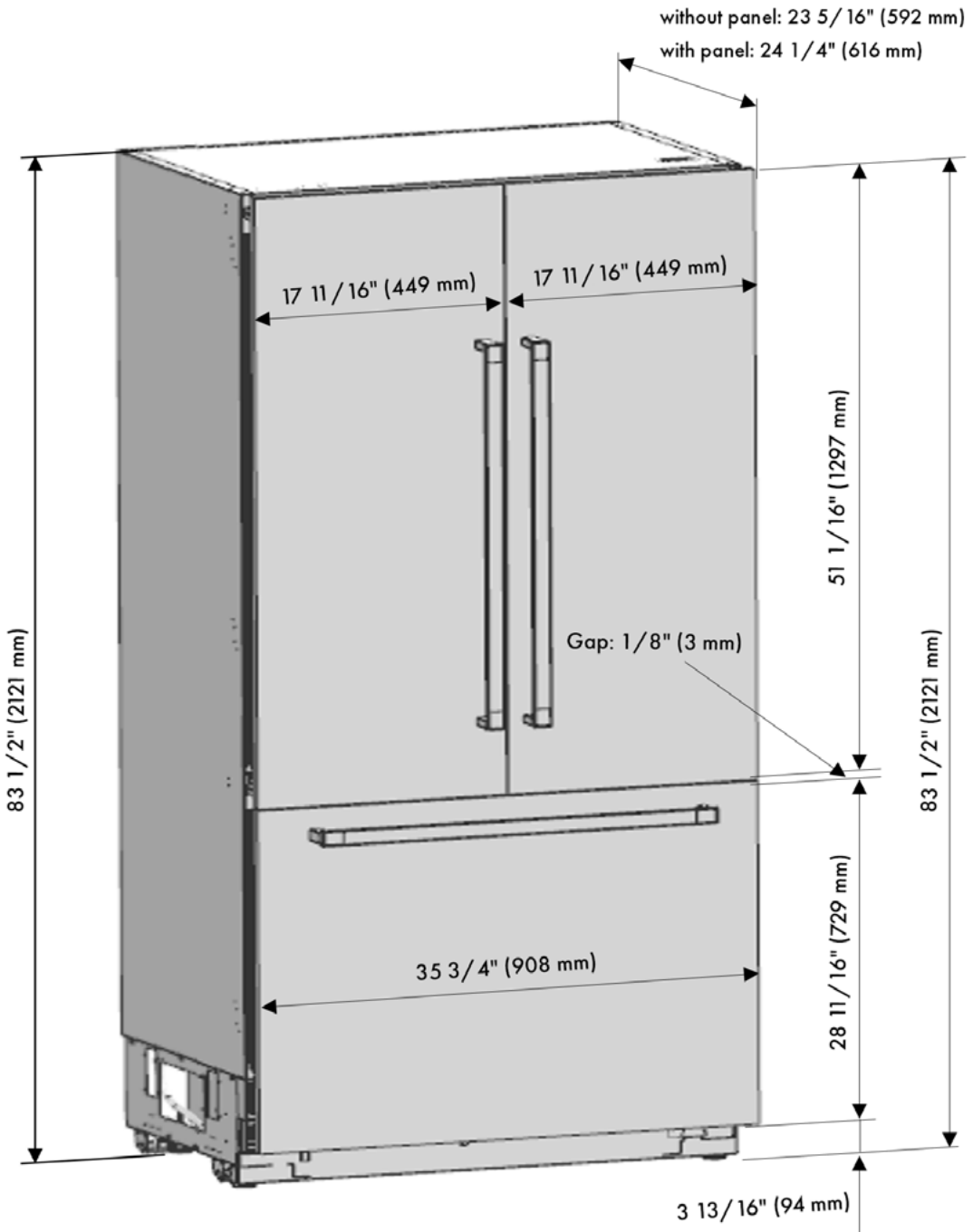
RBIV-30



BEFORE INSTALLATION

PRODUCT DIMENSIONS

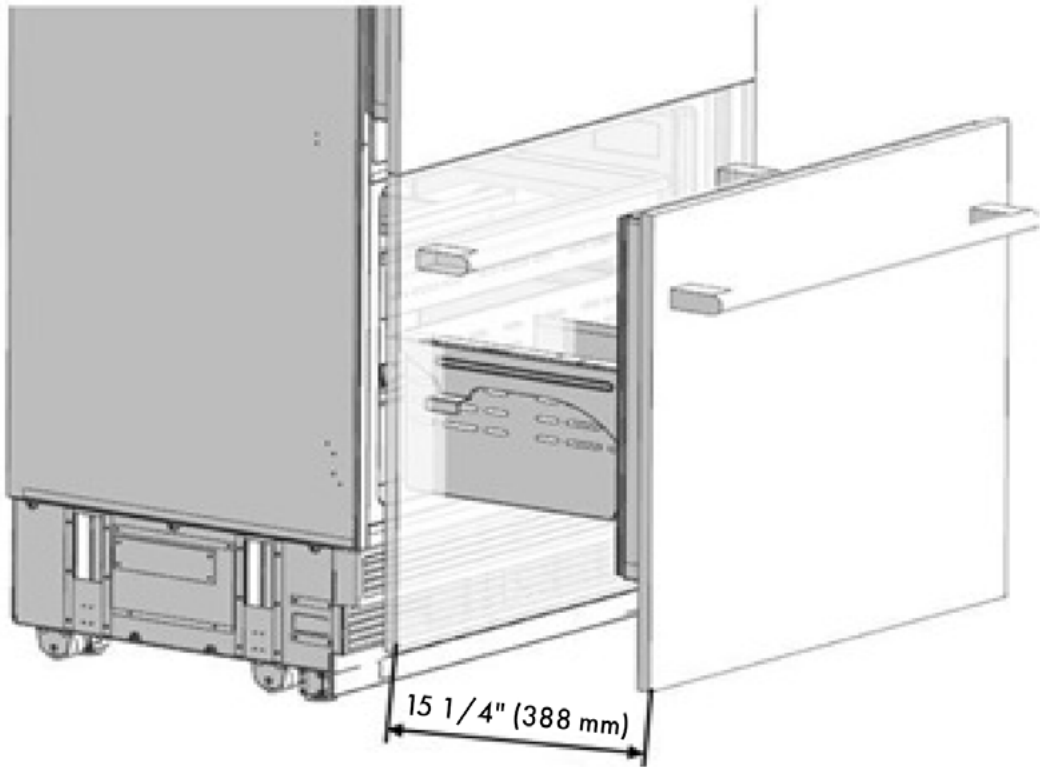
RBIV-36



BEFORE INSTALLATION

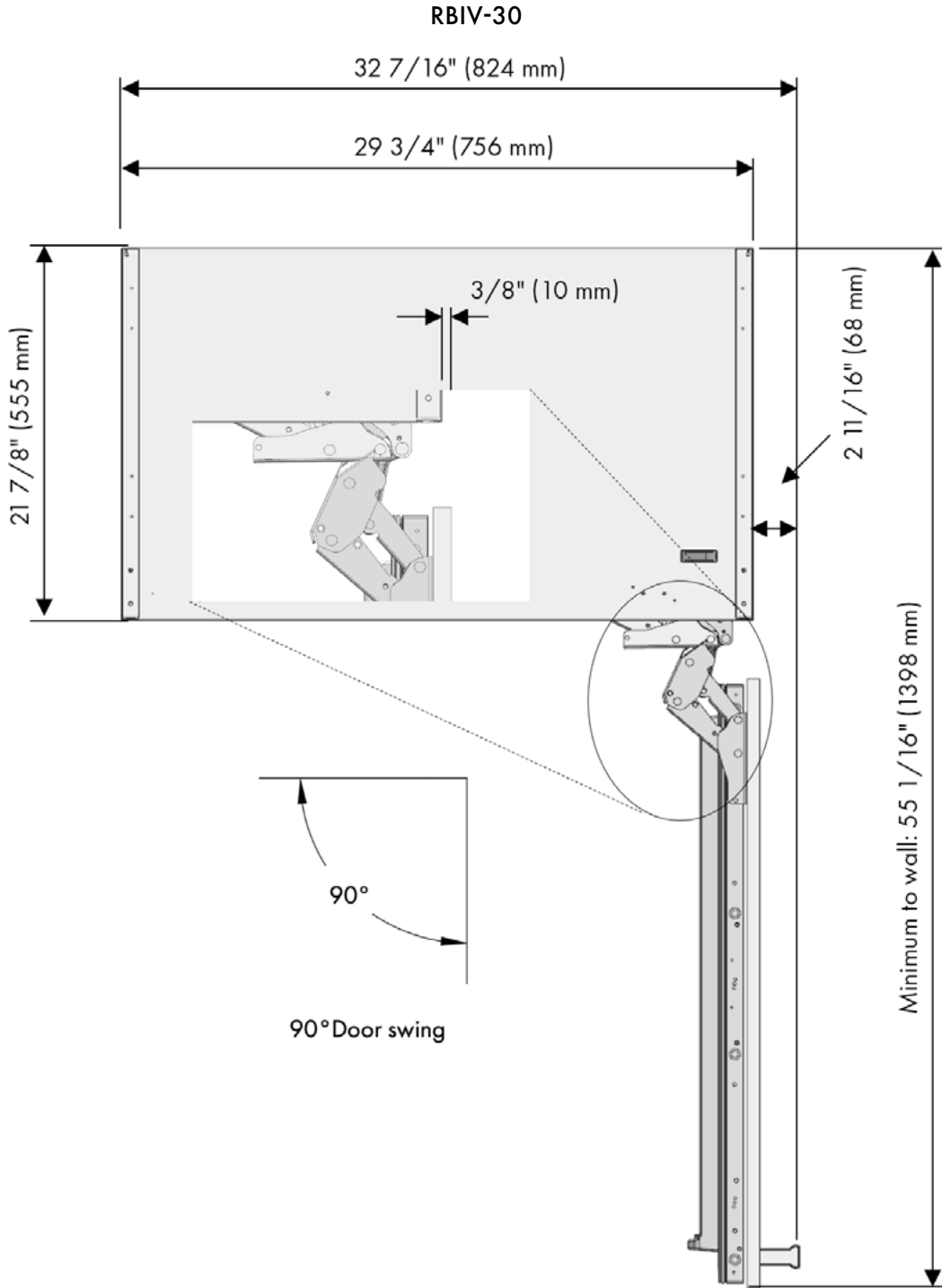
PRODUCT DIMENSIONS

RBIV-30 AND RBIV-36



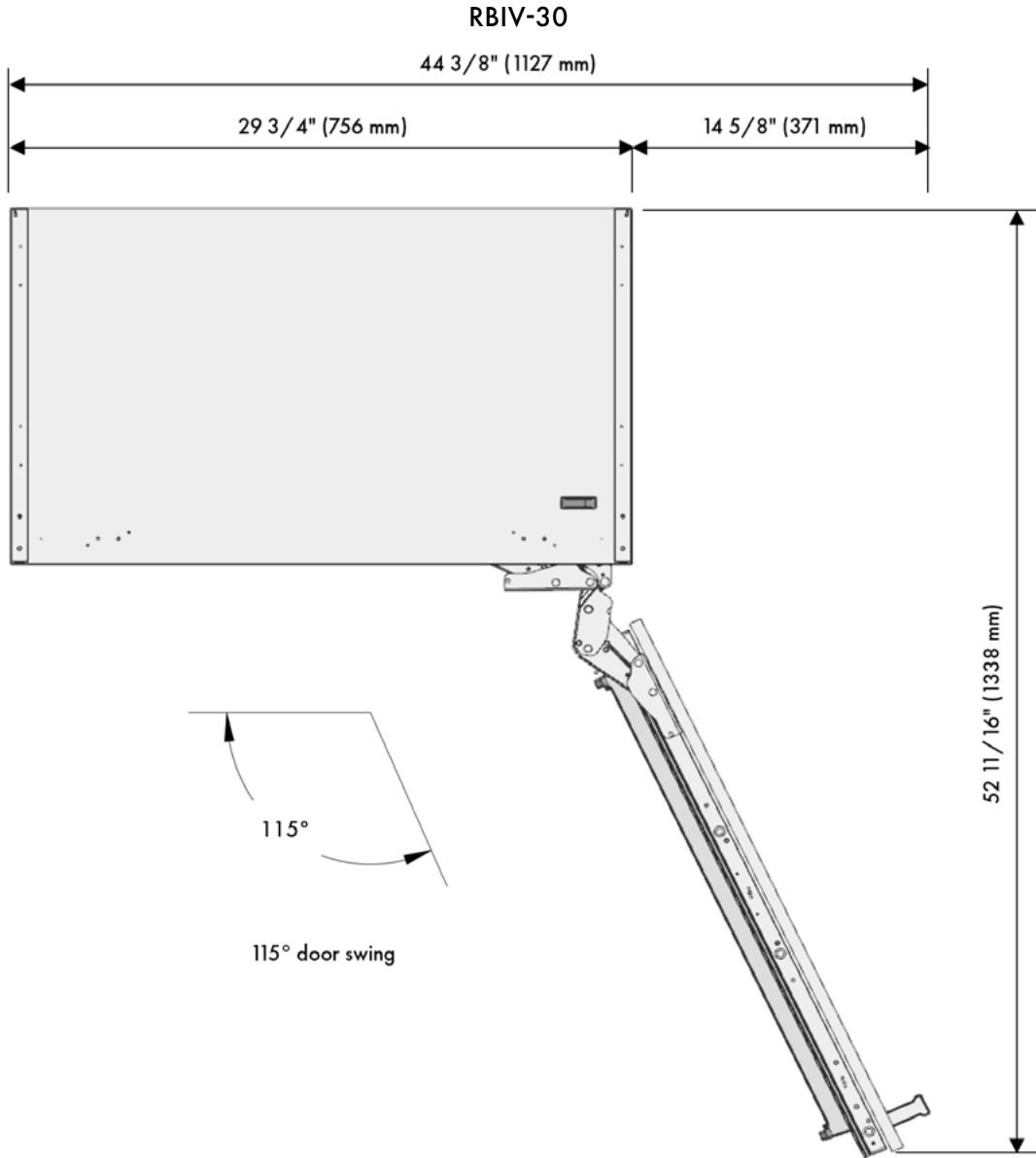
BEFORE INSTALLATION

PRODUCT DIMENSIONS



BEFORE INSTALLATION

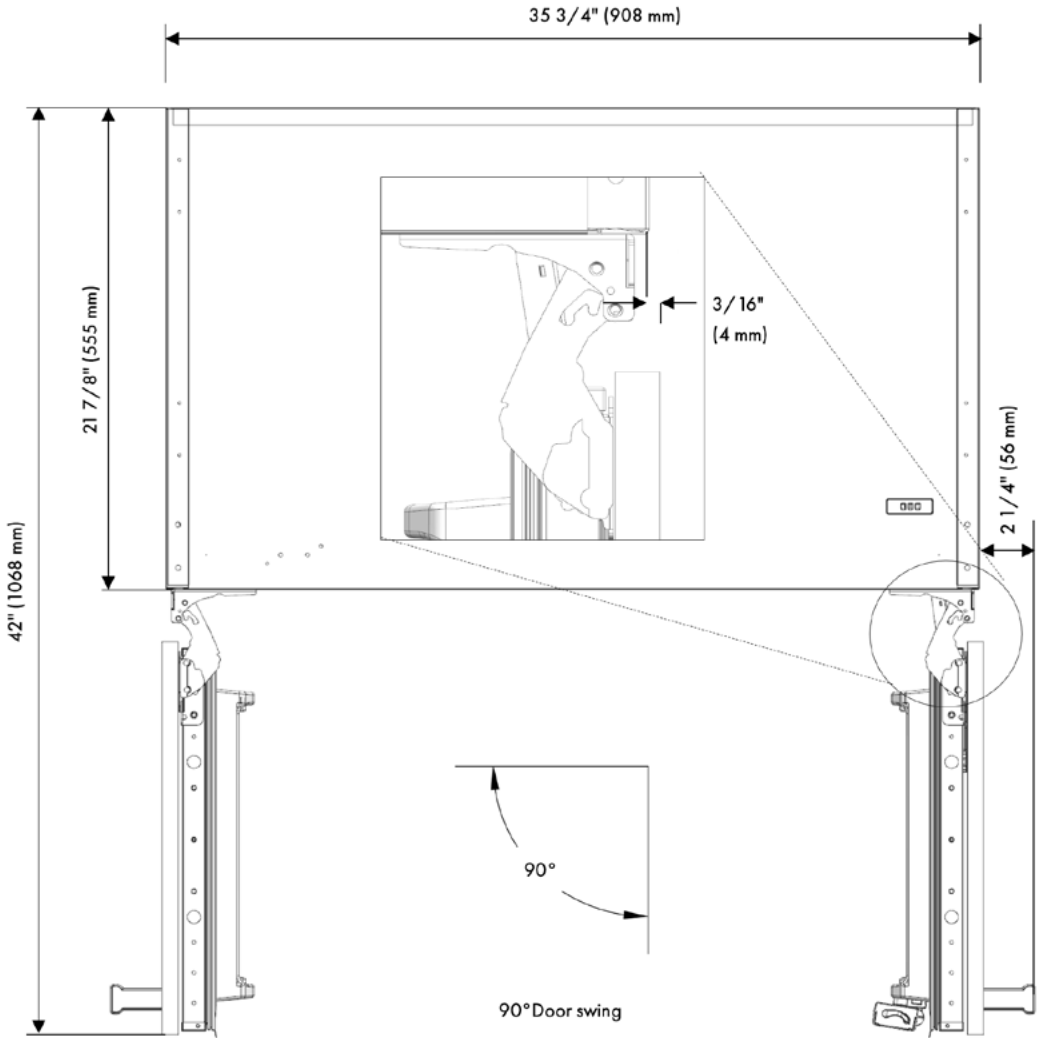
PRODUCT DIMENSIONS



BEFORE INSTALLATION

PRODUCT DIMENSIONS

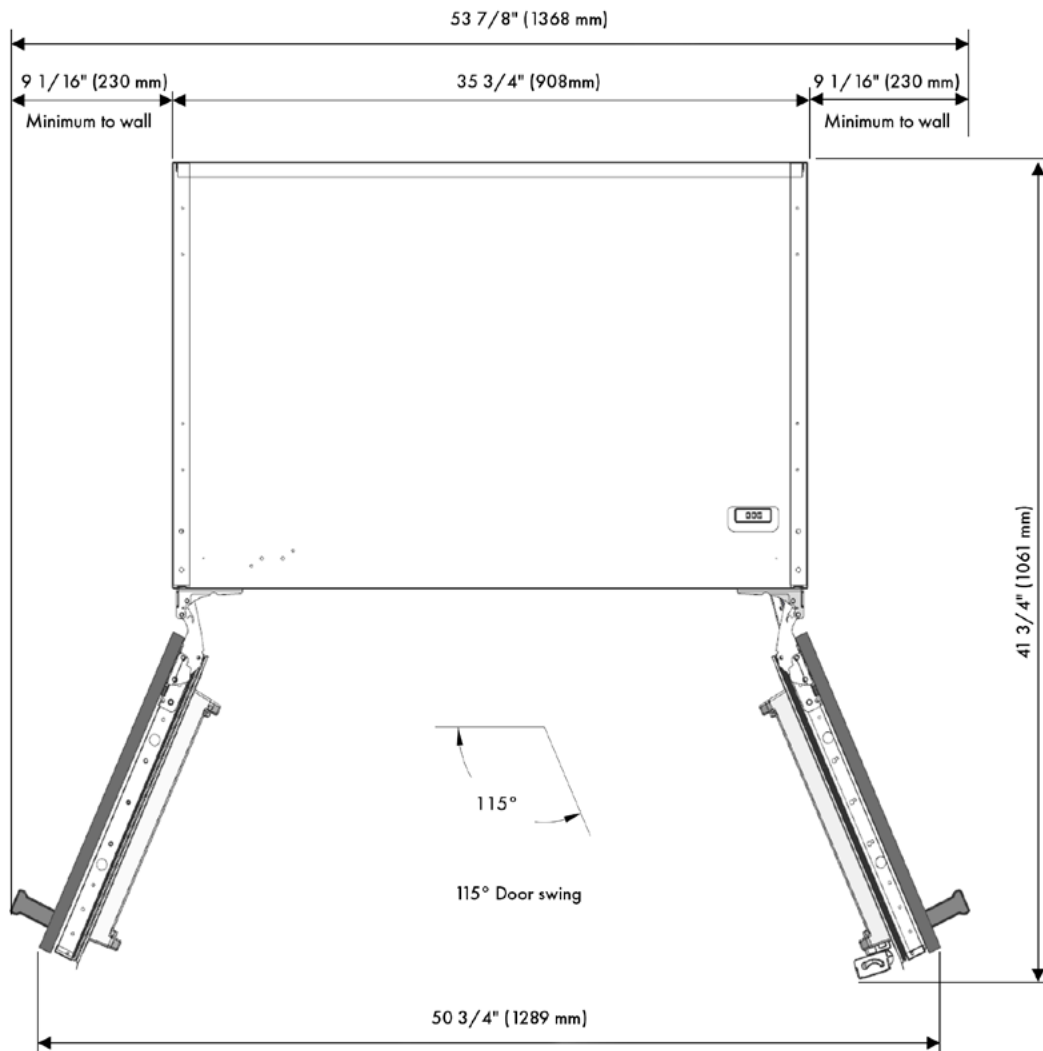
RBIV-36



BEFORE INSTALLATION

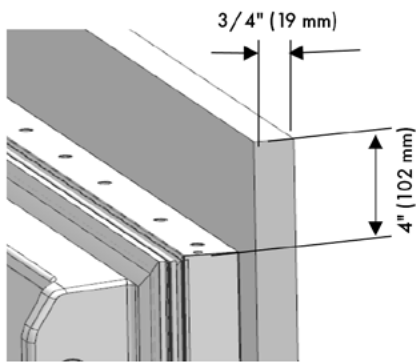
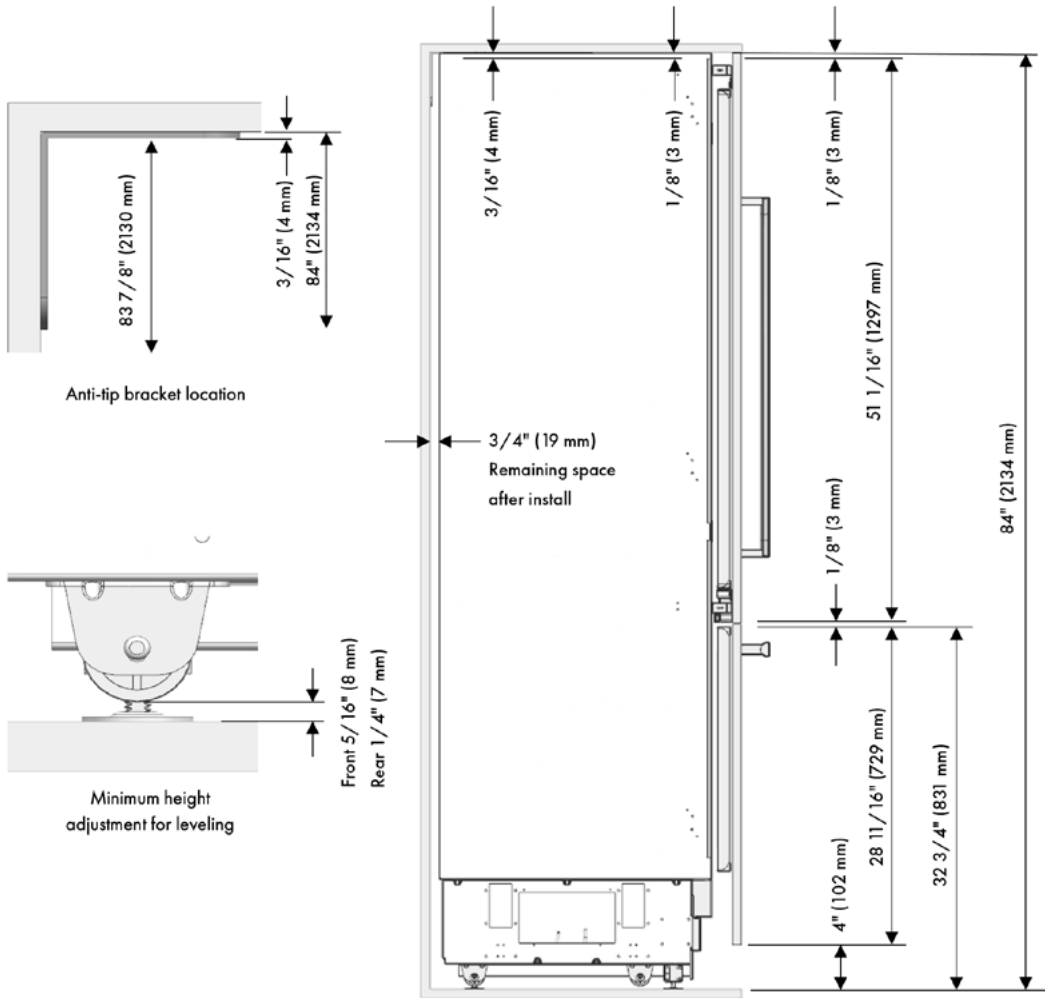
PRODUCT DIMENSIONS

RBIV-36

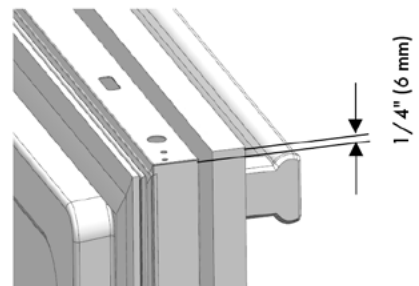


BEFORE INSTALLATION

PRODUCT AND CABINET DIMENSIONS



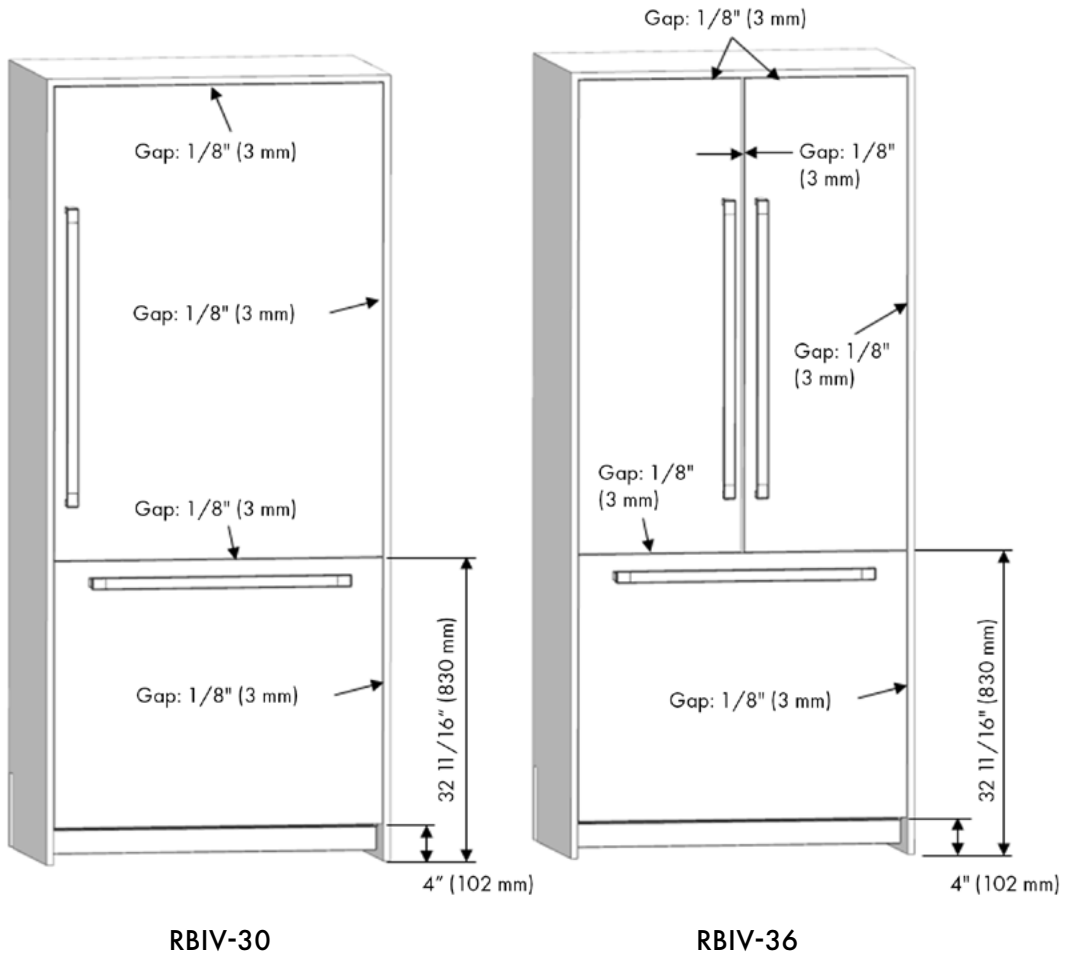
Assembly dimension between wood panel and fridge door



Assembly dimension between wood panel and fridge door

BEFORE INSTALLATION

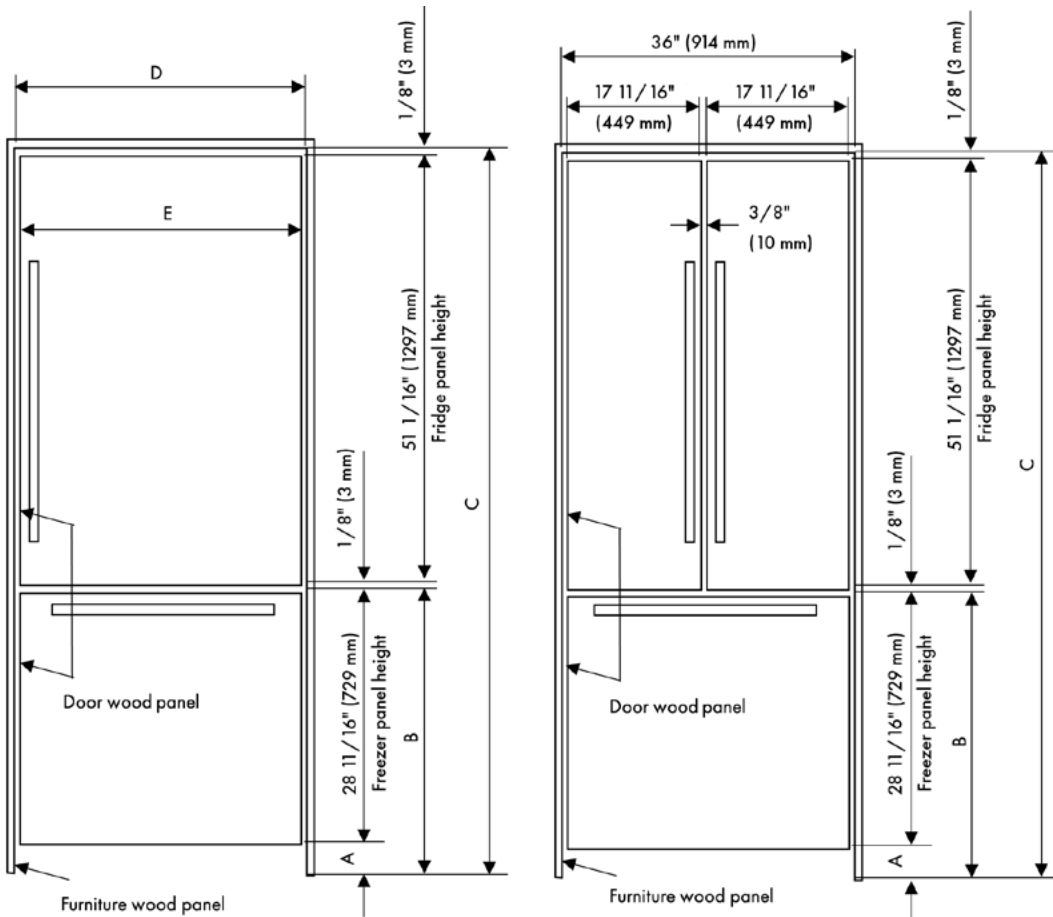
PRODUCT AND CABINET DIMENSIONS



BEFORE INSTALLATION

HEIGHT OF THE KITCHEN COUNTERTOP BASED ON THE MINIMUM/MAXIMUM HEIGHT OF THE CABINET CUTOUT

	A	B	C
Standard	4" (102 mm)	32 11/16" (831 mm)	84" (2134 mm)
Minimum	3 13/16" (97 mm)	32 1/2" (826 mm)	83 13/16" (2129 mm)
Maximum	5 3/8" (137 mm)	34 1/8" (866 mm)	85 3/8" (2169 mm)



CATEGORY	RBIV-30	RBIV-36
D	30 3/16" (767 mm)	36 3/16" (919 mm)
E	29 3/4" (756 mm)	35 3/4" (908 mm)

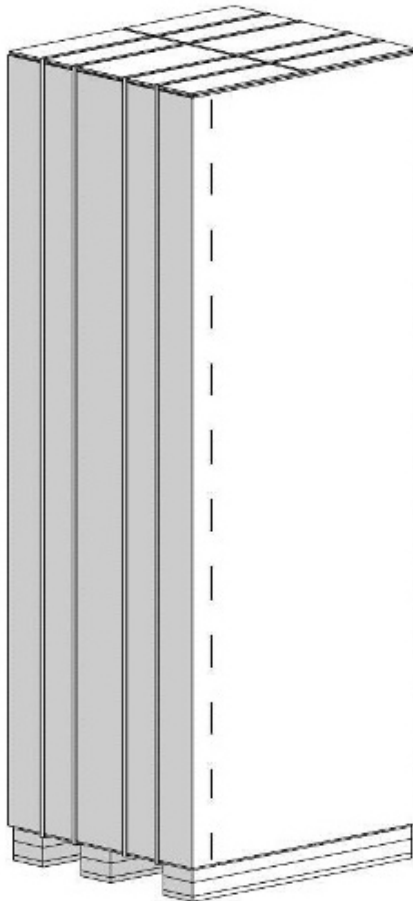
BEFORE INSTALLATION

UNPACKING

- Use a box cutter to remove tape on the box packaging.
- Cut the box packaging through the section illustrated in dotted lines in the figure below and remove it.
- If this refrigerator was purchased with door panels, the panels and handles ship in multiple boxes and require additional assembly upon installation.
- Please note the diagrams on the following pages will alternate showing the appliance with and without panels installed; this is done purposefully to show how the item will look panel-ready versus with panel installed.
- Door panel preparation and installation is covered starting on page 51.

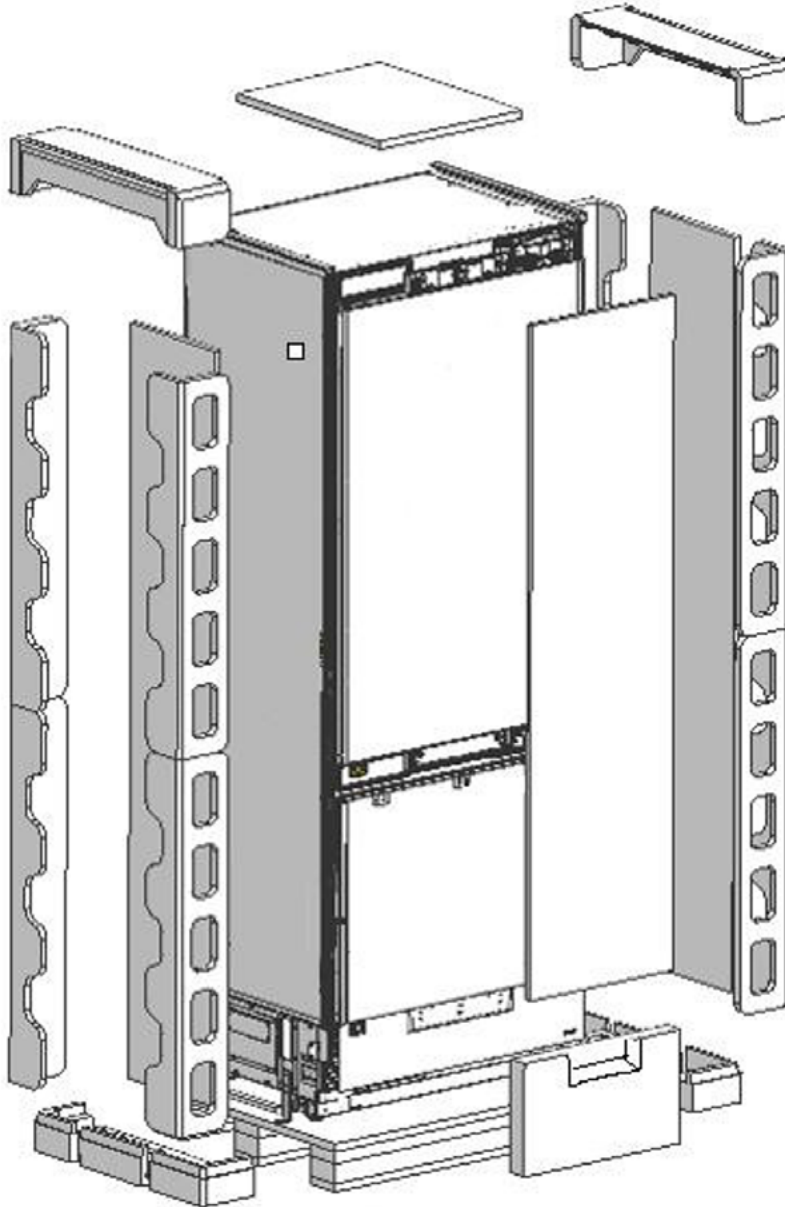


Due to refrigerators weighing between 342 and 355 pounds (155 and 161 kilograms), at least two people must move units when unpacking and installing.



BEFORE INSTALLATION

REMOVE ALL THE POLYSTYRENE PACKAGING MATERIAL



ATTENTION

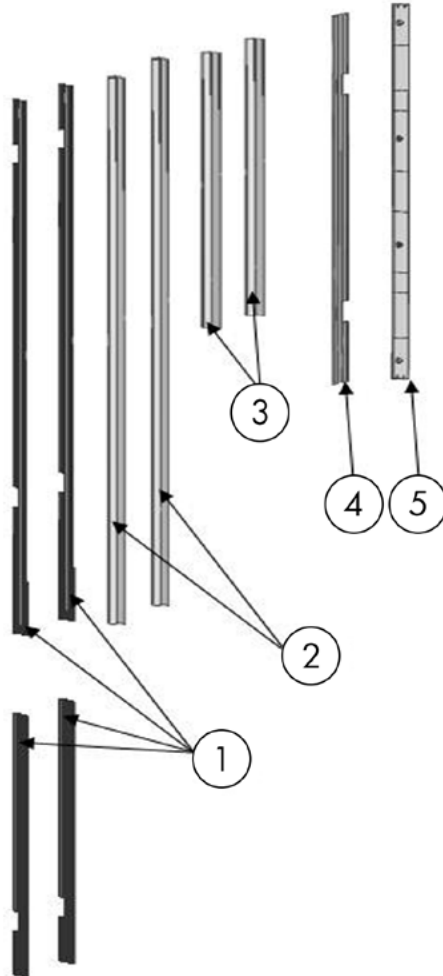
Do not remove the tape of the upper door(s) on the product until the refrigerator is fully placed into the cabinet cutout, or you run the risk of the unit tipping over.

BEFORE INSTALLATION

PARTS PROVIDED

THE REFRIGERATOR TRIM PARTS ARE BOXED AND SECURED TO THE REAR OF THE REFRIGERATOR

Check to ensure all parts are included, then set aside for later.

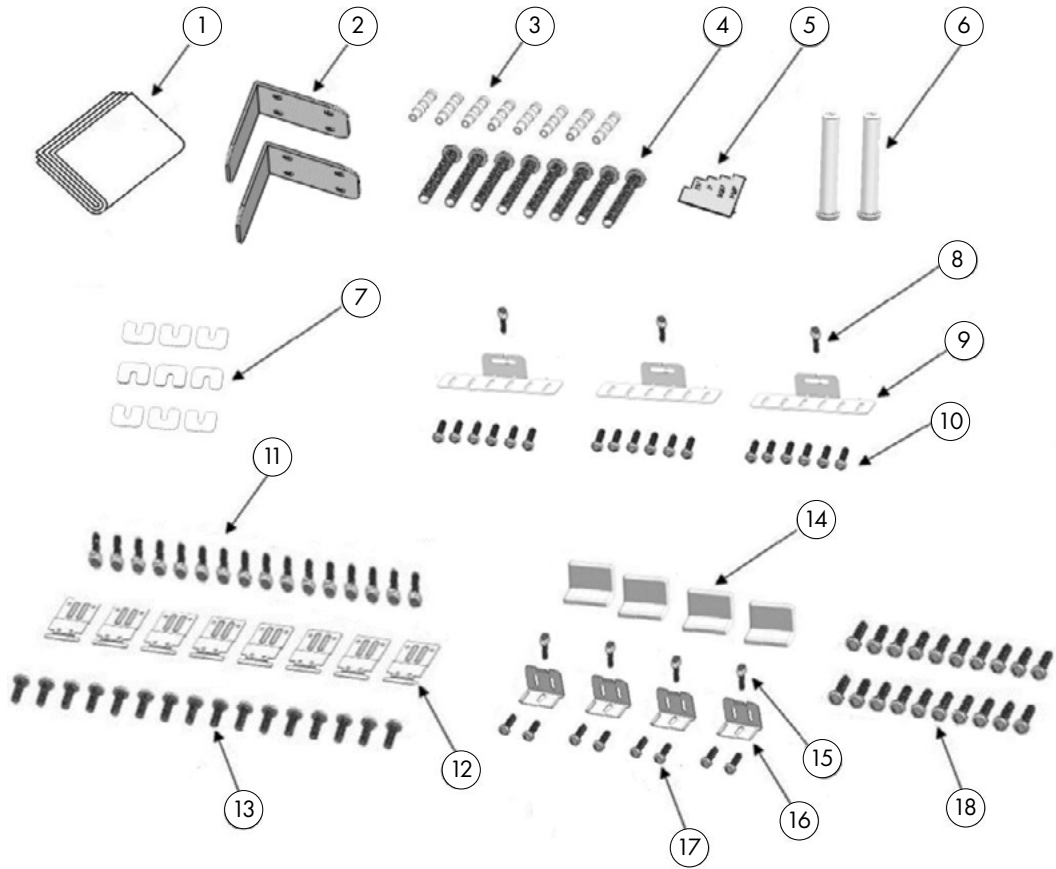







NO	PART NAME	SPECIFICATION	QTY	
			RBIV-30	RBIV-36
1	Refrigerator/freezer cabinet side trim	24 5/16", 49 9/16" (617 mm, 259 mm)	4	4
2	Refrigerator door side trim	44 3/4" (1136 mm)	2	4
3	Freezer door side trim	21 7/8" (556 mm)	2	2
4	Refrigerator cabinet top trim	30", 36" (762 mm, 914 mm)	1	1
5	Freezer door top cover	-	1	1

BEFORE INSTALLATION

REMOVE MOUNTING PARTS FROM THE FREEZER COMPARTMENT

Open the freezer compartment door and remove the packages containing the mounting parts and check to ensure all parts are included.

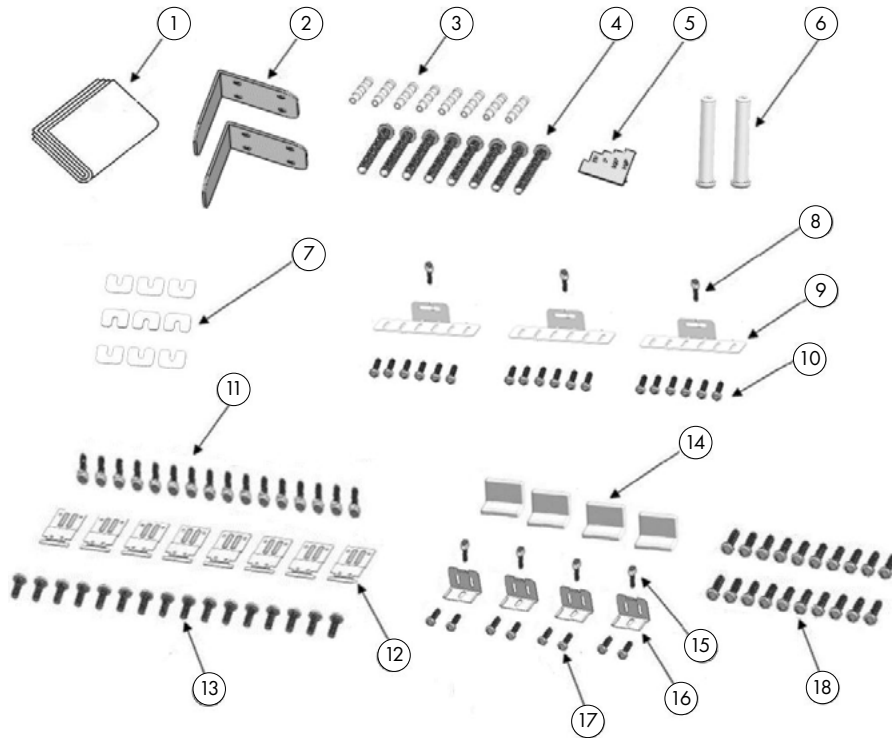






NO	PART NAME	SPECIFICATION	IMAGE	QTY	
				RBIV-30	RBIV-36
1	Door panel preparation template	-	-	1	1
2	Anti-tip bracket	-		2	2
3	Anti-tip screw anchors	-		8	8
4	Anti tip bracket screws	M8 x 60 mm	-	8	8
5	Position adjustment gauge	-	-	1	1
6	90° limiting pins	-	-	1	2
7	Freezer door adjustment spacer	-	-	9	9
8	Screws to secure freezer door panel hanger bracket to door	ST4.8 x 16 mm		3	3
9	Freezer door panel hanger bracket	-	-	3	3
10	Screws for to secure freezer hanger bracket to panel	ST4 x 14 mm		18	18
11	Screws to secure cabinet mounting bracket to side and top of refrigerator	M4 x 12 mm		16	16

BEFORE INSTALLATION

REMOVE MOUNTING PARTS FROM THE FREEZER COMPARTMENT

Open the freezer compartment door and remove the boxes and packages containing the mounting parts and check to ensure all parts are included.

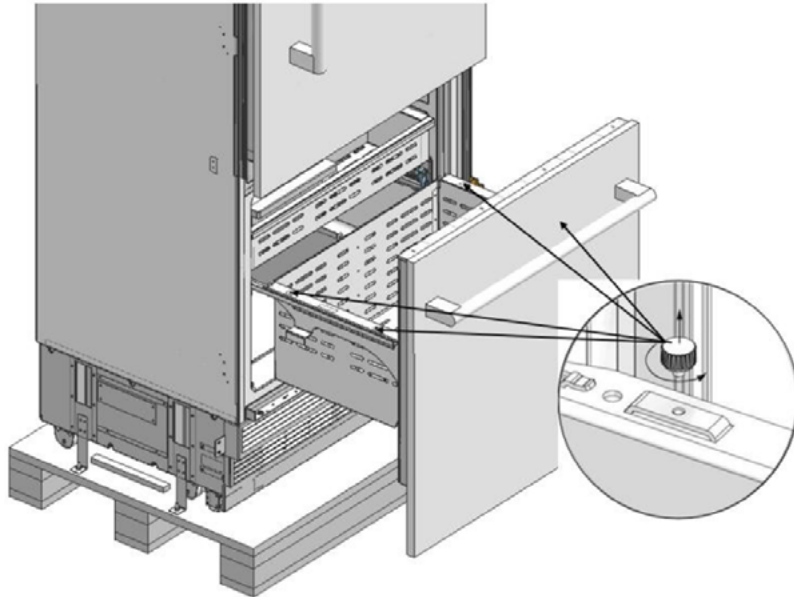


NO	PART NAME	SPECIFICATION	IMAGE	QTY	
				RBIV-30	RBIV-36
12	Cabinet mounting bracket	-	-	8	8
13	Screws to secure cabinet mounting brackets to cabinet cutout	ST4 x 14 mm		16	16
14	Door panel connecting bracket cover	-	-	4	2
15	Screws to secure door panel connecting bracket to door	M4 x 12 mm		4	2
16	Door panel connecting bracket	-	-	4	2
17	Screws to secure door panel connecting bracket to panel	ST4 x 14		8	4
18	Screws for refrigerator door panel hanger bracket	ST4 x 14		20	24

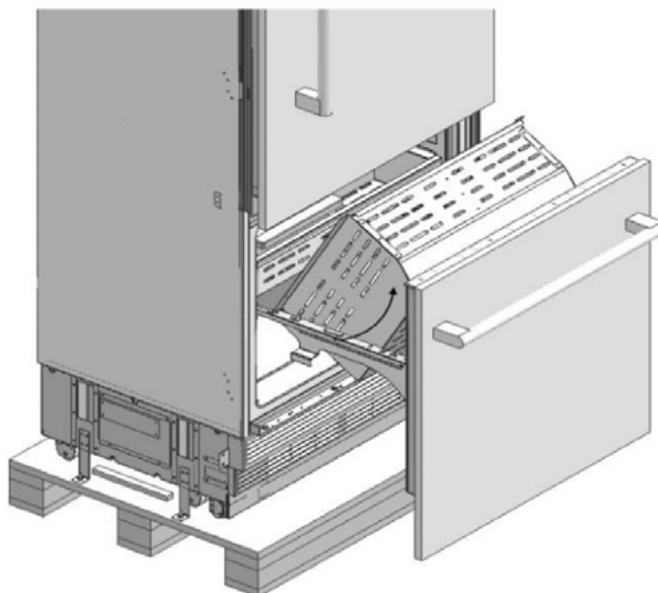
INSTALLATION

REMOVING THE LOWER FREEZER DRAWER

- **NOTE:** We recommend removing the lower freezer drawer and door for easier kickplate and feet access when installing the appliance.
- To remove the lower freezer drawer, unscrew the four thumb screws by hand as shown below and put them in a safe place.



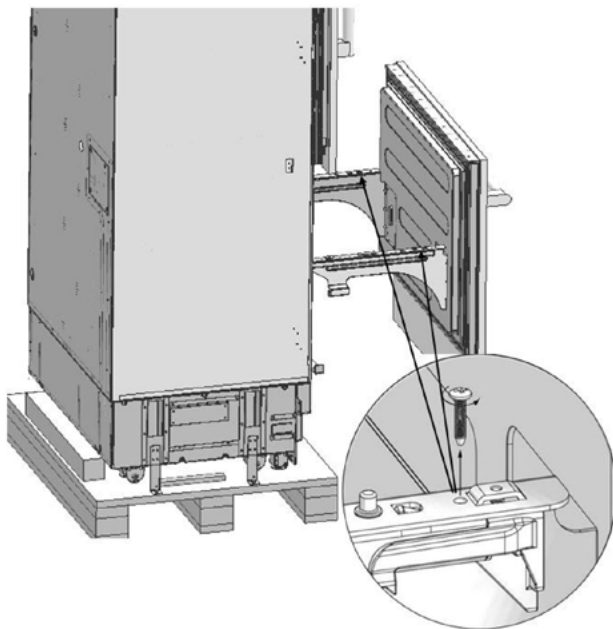
- Remove the drawer by lifting it up and pulling out.



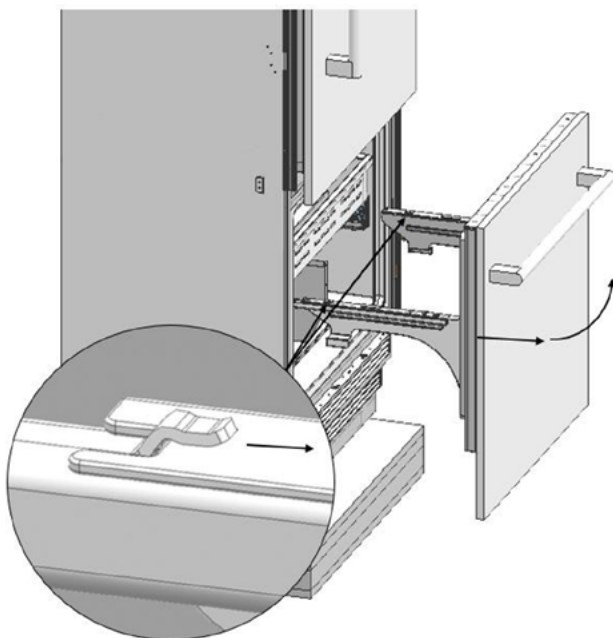
INSTALLATION

REMOVING THE FREEZER DOOR

- Locate and remove the two Phillips-head screws near the front section of the support rails that connect to the freezer door.



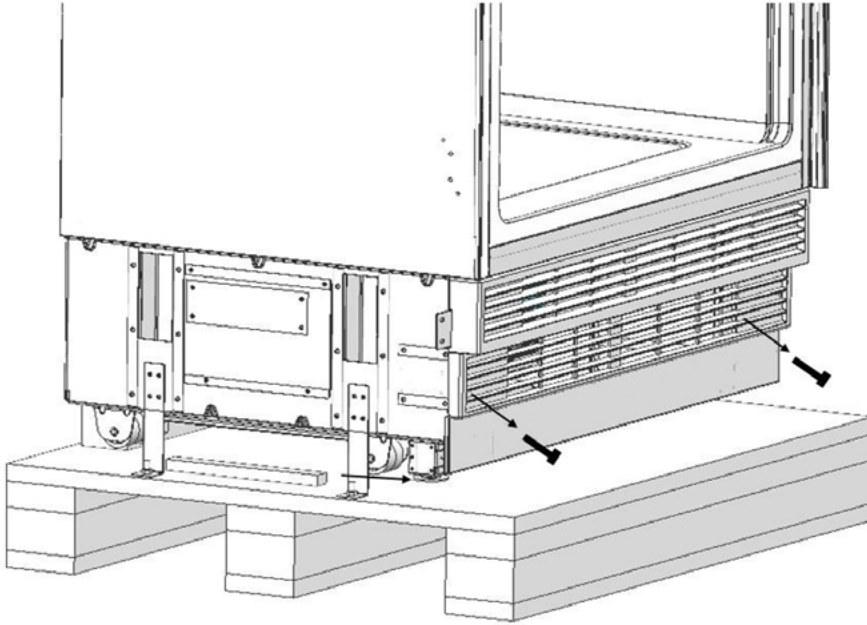
- While supporting the freezer door, carefully pull the door forward while freeing it from the rear rail lock tabs and lift up and away to remove it.



INSTALLATION

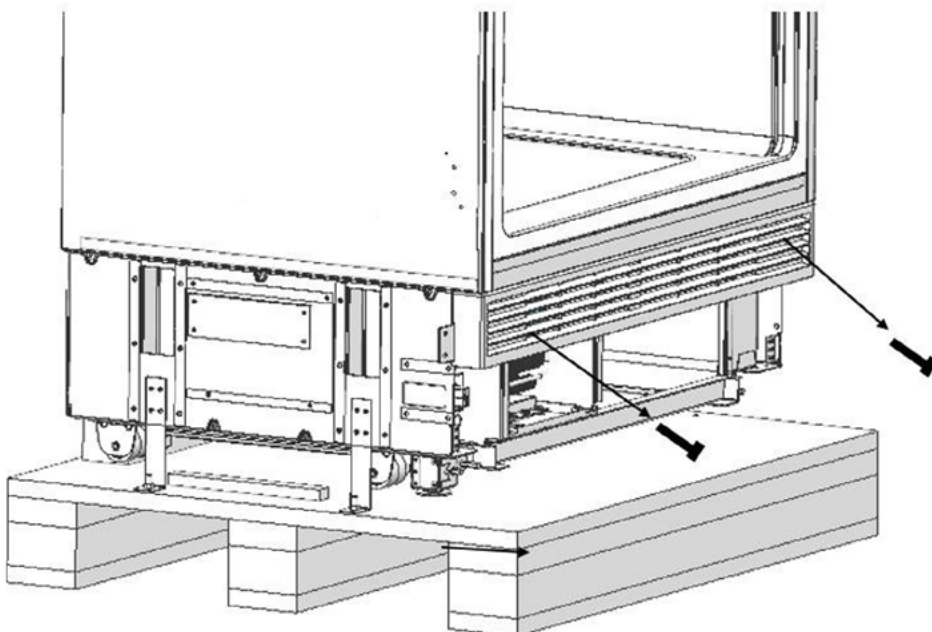
REMOVING THE LOWER VENT PANEL

Remove the two Phillips-head screws to take out the lower vent panel assembly; set the screws aside.



REMOVING THE UPPER VENT PANEL

Remove the two screws to take out the upper vent panel; set the screws aside.



INSTALLATION

PRE-INSTALLATION NOTES

Continue to install the product according to the instructions below. Additionally, consider national and local government codes and instructions regarding installation requirements and clearances.

Please observe the following:

- For the USA, National Electrical Code, ANSI/NFPA 70-latest version; state or municipality directives; and/or regional directives.
- For Canada, Canadian Electrical Code, C22.1-latest version; province or municipality directives; and/or regional directives.

MOUNTING THE ANTI-TIP BRACKETS



Anti-tip brackets must be installed to prevent the appliance from tipping over and limit risk of injury.



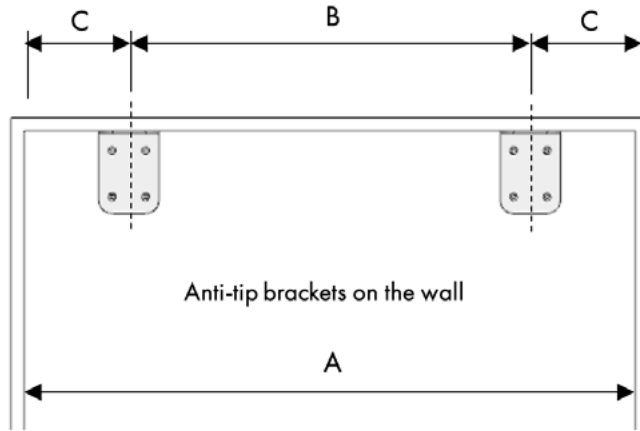
Make sure there is no electrical or water connection where the screws will be tightened and connections will be established.



Please remember to use necessary protective equipment when drilling holes in the wall while performing this installation.

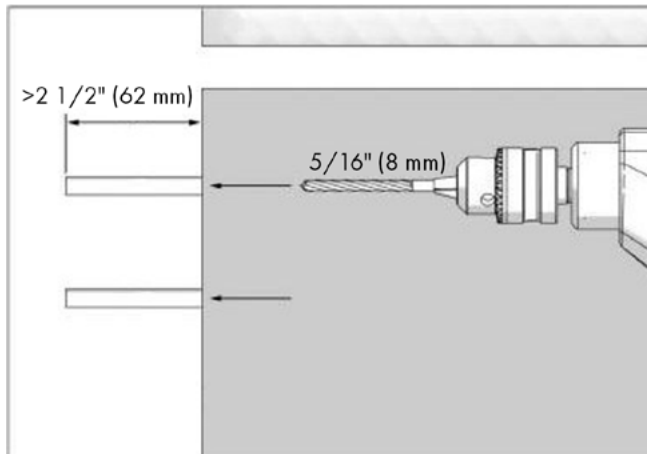
INSTALLATION

- Mark the upper rear of the wall in your cabinet cutout to locate the anti-tip brackets (page 28, Item No. 2).



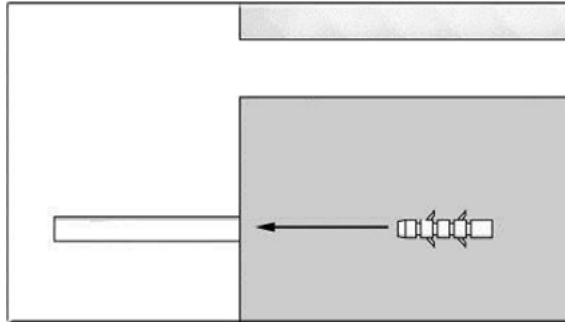
CATEGORY	RBIV-30	RBIV-36
A	29 3/4" (756 mm)	35 3/4" (908 mm)
B	23 5/8" (600 mm)	23 5/8" (600 mm)
C	3 3/16" (81 mm)	6 3/16" (157mm)

- Use a 5/16" (8 mm) drill bit to bore roughly 2 1/2" deep holes at the marked points. Do not use a larger drill bit as the wall anchors will be unable to tighten or secure the brackets.

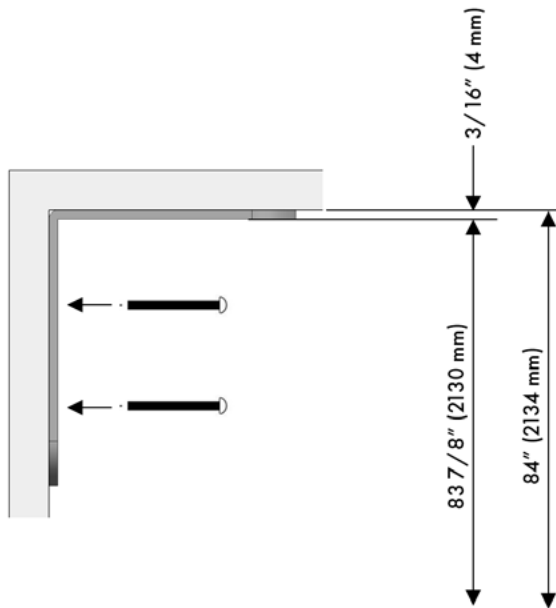


INSTALLATION

- Use the hammer to tap anti-tip anchors (page 28, Item No. 3) into the wall.



- Fit the anti-tip brackets into their places, using four screws (page 28, Item No. 4) for each. You must use both brackets to ensure safety of the product.



WARNING

- If you are not sure whether the anti-tip brackets are fastened to the wall as securely as they should be, you can use alternative anti-tip methods.
- If there are cabinets at the back wall of the refrigerator, please make sure the cabinets are fixed to the wall. For this, you need to ensure the back wall of the cabinets are fixed to the concrete back wall with suitable connection parts.

INSTALLATION

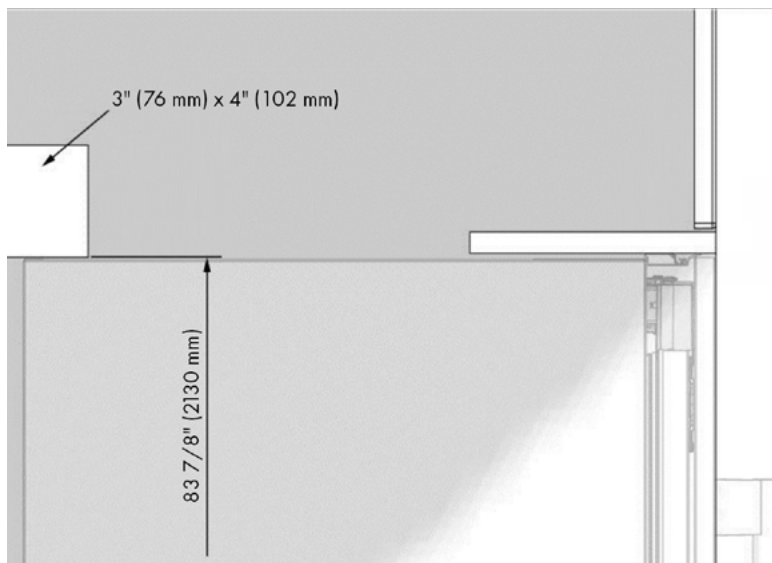
ALTERNATIVE ANTI-TIP METHOD

ANTI-TIP BRACKETS

- If the anti-tip brackets cannot be connected securely, you must use the alternative method outlined below.
- In this method, you can use wooden blocks (not provided) to avoid the risk of the unit tipping over. They must be installed as illustrated in the figure below.
- There must be no clearance between the product and the wooden blocks.
- Minimum section dimensions of the wooden block must be 3" by 4" (76 mm by 102 mm). The width of the blocks must be equal to the clearance where it will be installed.
- An additional block must be used if the niche depth is more than anticipated. The wooden block must contact the product with a maximum depth of 2" (50 mm).
- To determine the location for the wooden block, mark it on the rear wall, select suitable screws, and connect safely.



The number and type of the screws to be used for the wooden block must be determined so there is a secure connection. Only a professional installer should perform this alternative method.

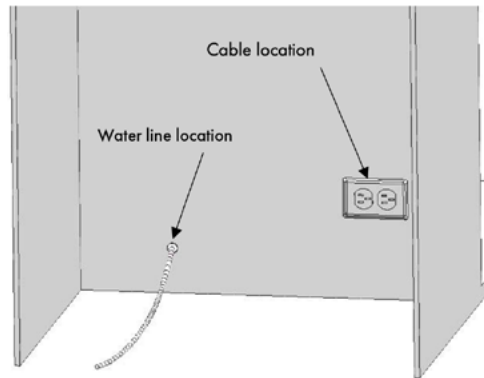


INSTALLATION

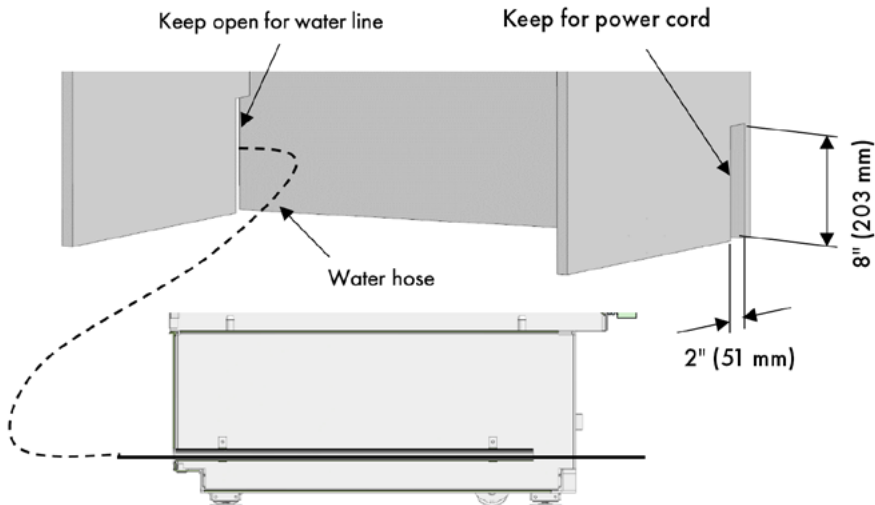
PREPARING THE WATER HOSE AND POWER PLUG

- You will need a hose with a minimum length of 60" (1524 mm) and a diameter of 1/4" (6 mm) for water connections during installation.
- A connector that has a thread with an external diameter of 1/4" (6 mm) must be used to connect the hose end to the product.
- You can choose method A or method B below to prevent the power cord and water supply line from getting jammed or tangled.

Method A: Locate the water hose and power supply on the back of your cabinet.



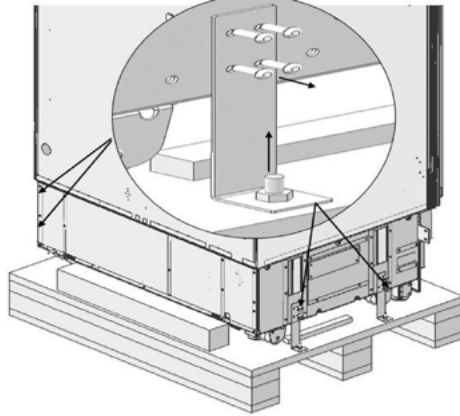
Method B: Locate the water hose and power supply through the side of the cabinet.



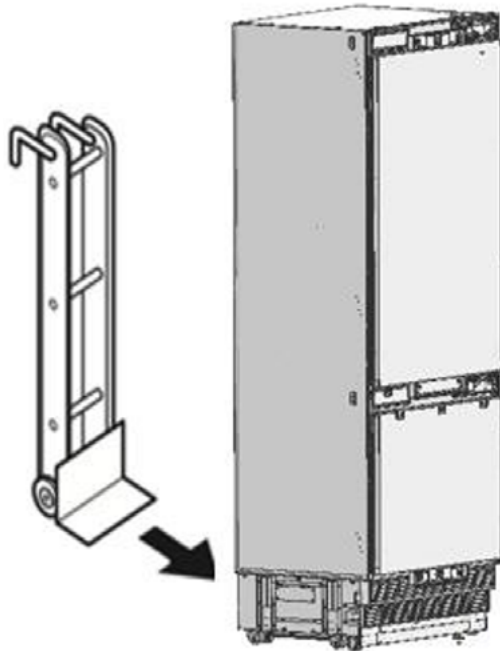
INSTALLATION

MOVING THE UNIT FROM THE WOODEN PALLET

- With a Phillips-head screwdriver or drill bit, remove the screws from the security brackets that connect the refrigerator to the wooden pallet as outlined below.



- With at least two people, recline the refrigerator with the help of a dolly/hand truck to lift it off the pallet and Styrofoam packaging, then slowly lower the refrigerator to the floor. Then, use the hand truck to carefully move the unit near the opening of the cabinet cutout where it will be installed.



ATTENTION

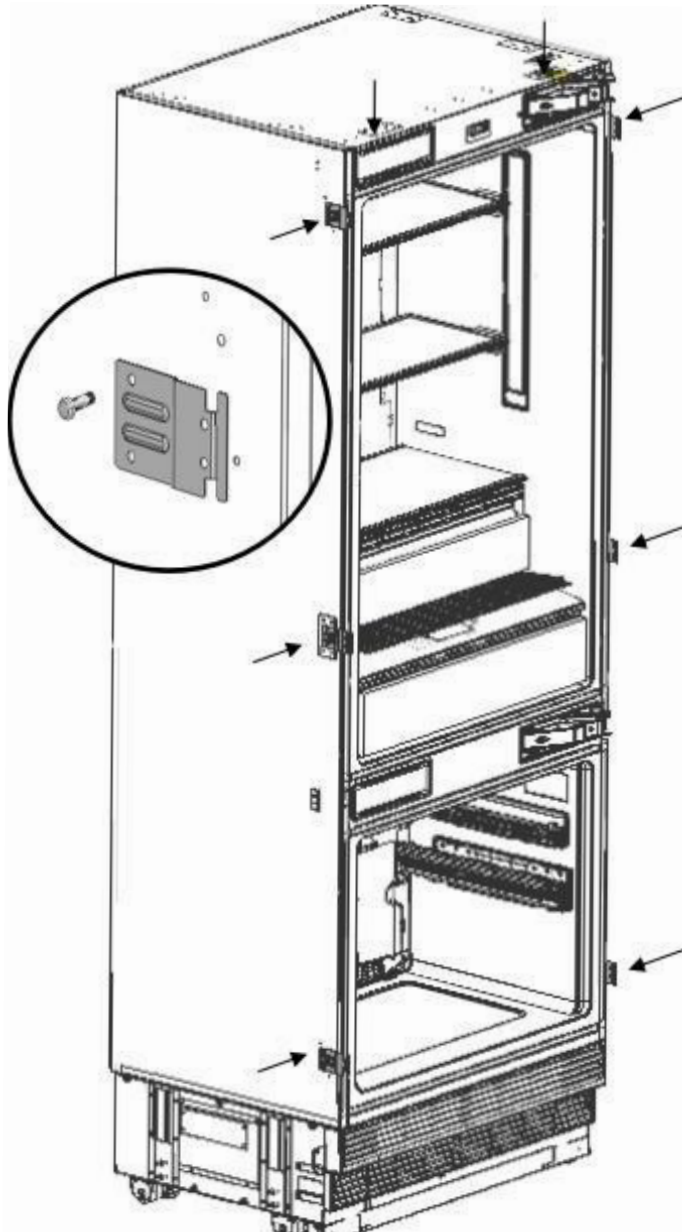
Do not open doors, as the weight of the unit's doors can cause the appliance to tip over while in a reclined or free standing position.

INSTALLATION

ATTACHING THE CABINET MOUNTING BRACKETS

Affix the eight cabinet mounting brackets (page 29, Item No. 12) to both sides and the top of the appliance — two on the top and three on each side, as outlined below.

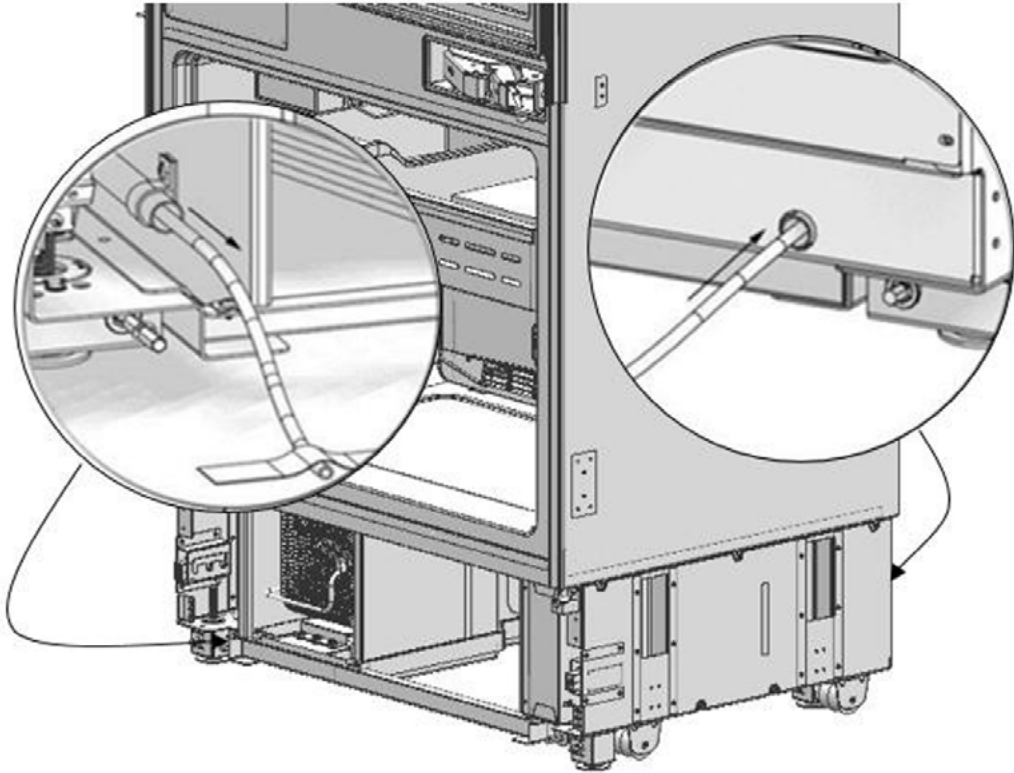
Using a screwdriver or drill with a Phillips-head bit, secure 16 screws to the cabinet mounting brackets (page 28, Item No. 11).



INSTALLATION

PREPARING FOR PLACING THE REFRIGERATOR INTO THE CABINET

- Before preparing to push the unit into the cabinet cutout, run the water line hose through the rear channel of the refrigerator (below image, right circle) to the front of the unit (below, left). You can optionally tape the water line to the floor to avoid it getting tangled during installation.



- Plug in the refrigerator to make sure the power is working and that the display has been activated.



WARNING

The plug of the product must be accessible after installation. If the plug is not accessible after installation, the power must be cut off from the main switch.



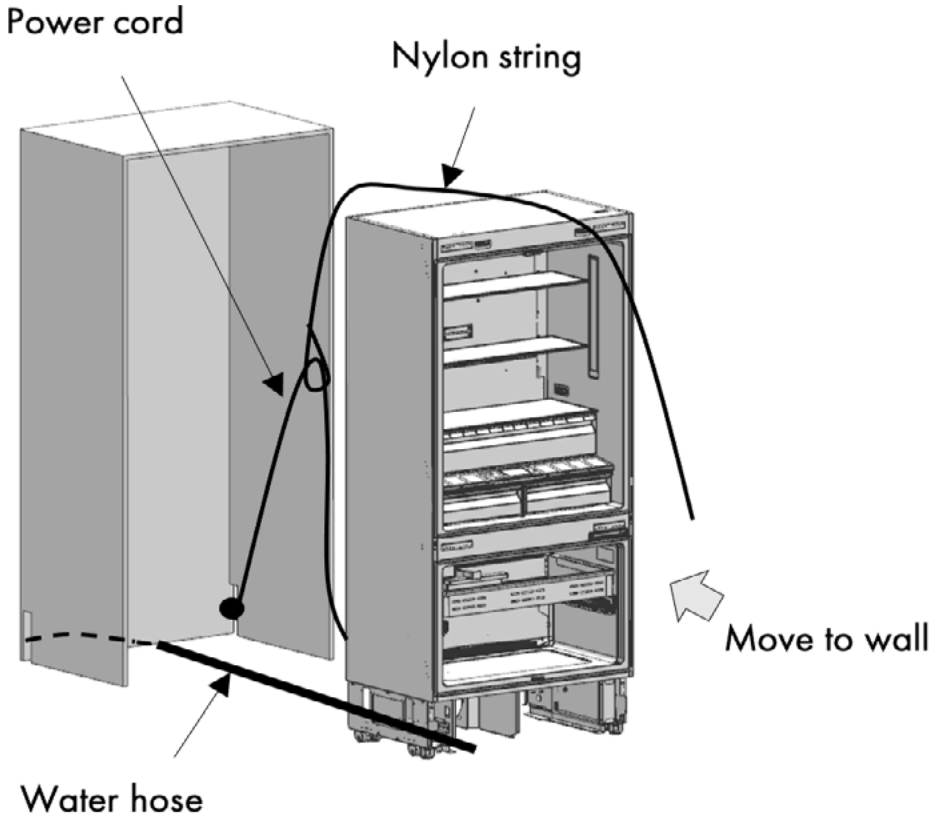
INFO


You can use tape or other protective items you think are necessary to protect the edges of the cabinet furniture when placing the product.

INSTALLATION

PLACING THE REFRIGERATOR INTO THE CABINET

- Apply the below method — tie a nylon string or other durable string/cable around the power cord — to prevent the power cord from getting jammed.



 **WARNING** Make sure the power cable is not jammed when placing the product, or else you increase the risk of electric shock or power failure.

- Push the product carefully toward the cabinet cutout. If there is strain of any kind during placement of the product into the cabin:
 - the floor might be rough or uneven; and/or
 - adjustable feet might be loose (please see page 45 to learn how to adjust the adjustable feet to level the product).

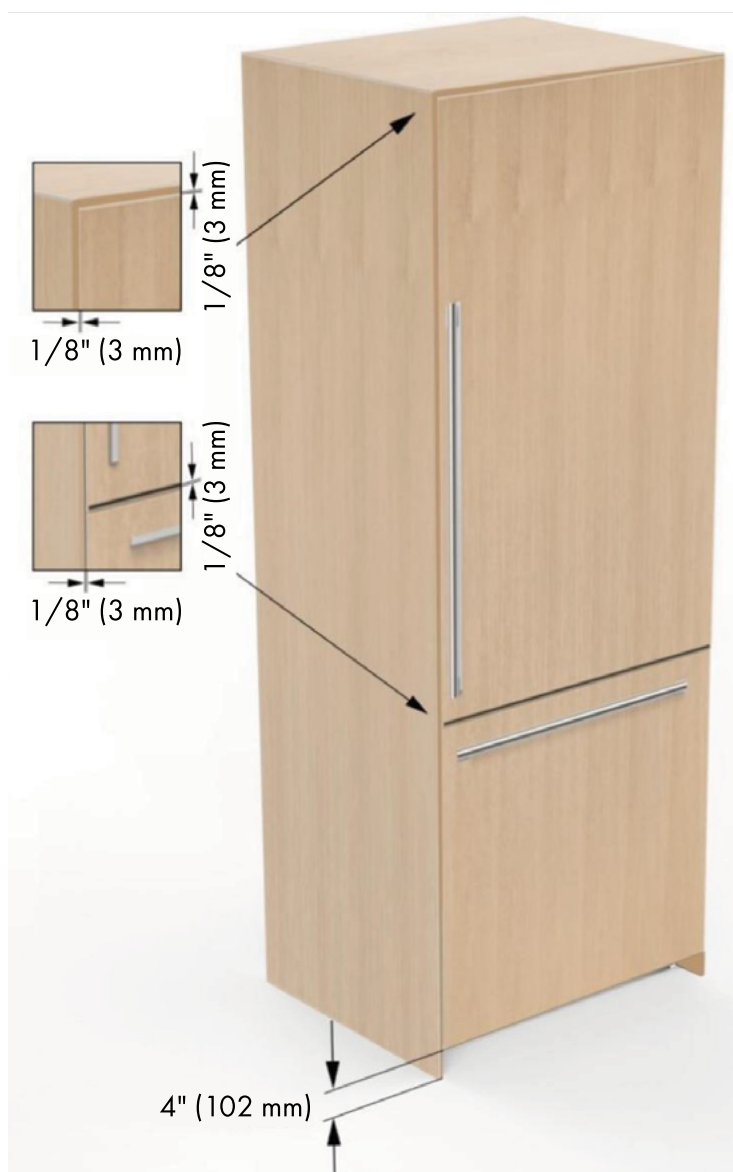
INSTALLATION

ALIGNING THE REFRIGERATOR WITH THE CABINET CUTOUT



It is very important to align the upper edge of both doors when aligning. All the other edges can be adjusted with the adjustment mechanisms.

NOTE: The image below is of an RBIV-30 with panels installed in order to show the proper specifications when aligning the refrigerator and freezer doors. Door panel preparation and installation is covered starting on page 51.



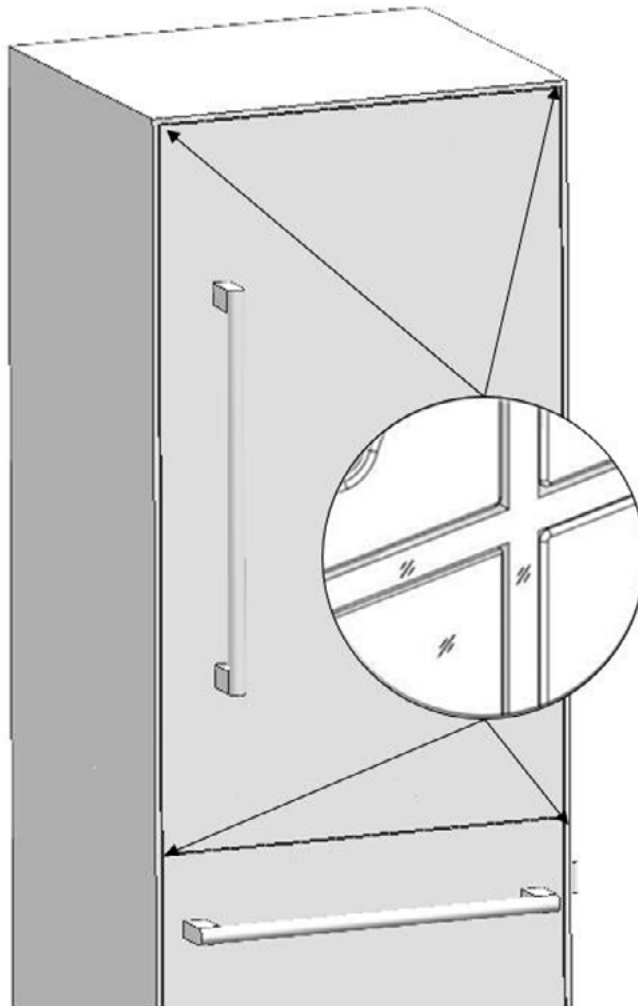
INSTALLATION

ALIGNING THE REFRIGERATOR WITH THE CABINET CUTOUT



It is very important to align the upper edge of both doors when aligning. All the other edges can be adjusted with the adjustment mechanisms.

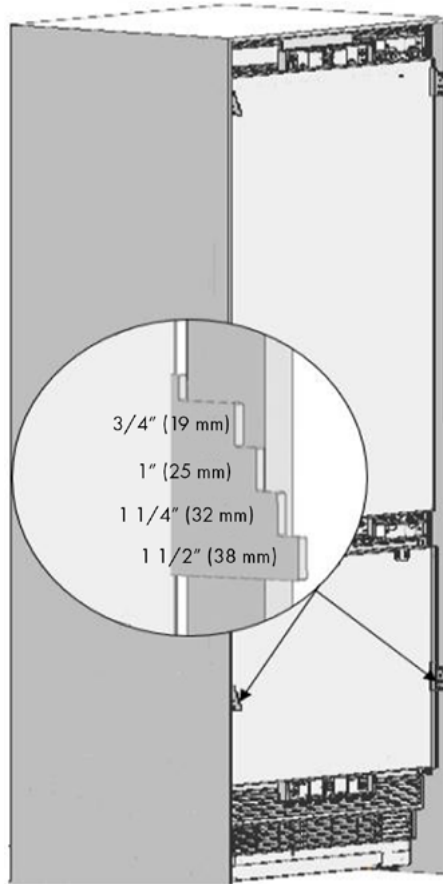
If this refrigerator was purchased with ZLINE-provided door panels, the position of the refrigerator needs to be adjusted so that the door and the cabinet surface are flush, as shown in the figure below. You can also use a position alignment gauge (page 28, Item No. 5) as shown on page 44 if necessary for alignment.



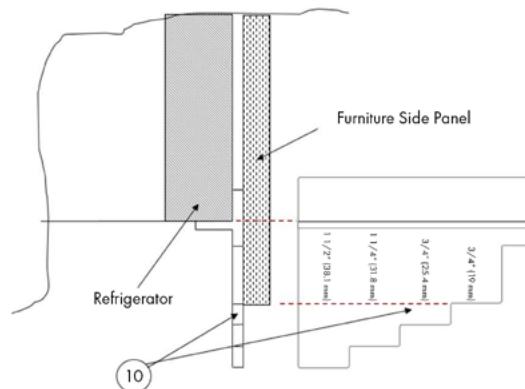
INSTALLATION

USING THE POSITION ALIGNMENT GAUGE

- If this refrigerator was purchased without ZLINE-provided door panels, the product can be placed using the position alignment gauge (Item No. 5) as outlined below in order to align with custom panels, which vary in size and thickness.



The position of the position alignment gauge must be adjusted according to the thickness of the door. It can adjust to four different door thickness levels.



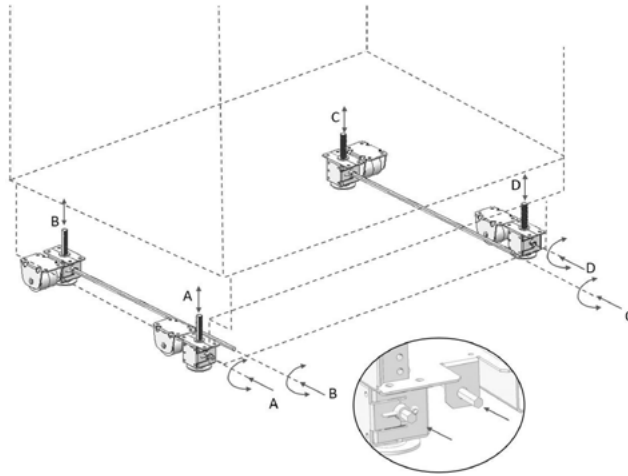
INSTALLATION

ADJUSTING THE REFRIGERATOR HEIGHT

- With the unit now aligned, push it carefully into the cabinet cutout.
- Next, the feet need to be raised in order to secure the product to the anti-tip brackets.
- You may use a drill with a 1/4" hex bit or a socket wrench to adjust leg height; we recommend using a socket wrench by hand to avoid the risk of stripping the legs.



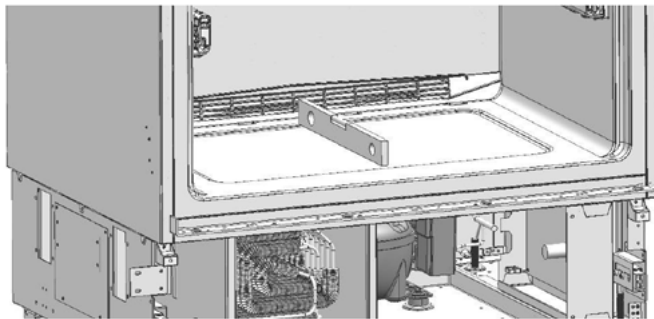
It's important to raise the front feet first to reduce risk of the appliance falling forward, which would increase the risk of injury.



A/D — Turn the key clockwise to lift the front

B/C — Turn the key clockwise to lift the rear

- After adjusting the feet, check if the product is level in both width and depth directions. You may readjust as needed after panels are installed.

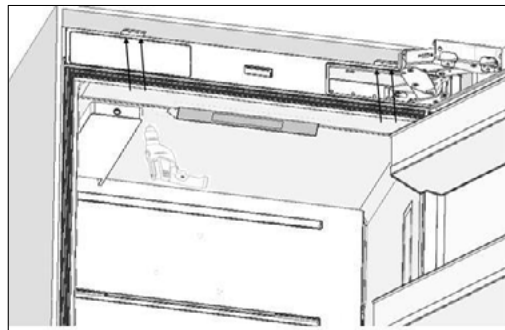
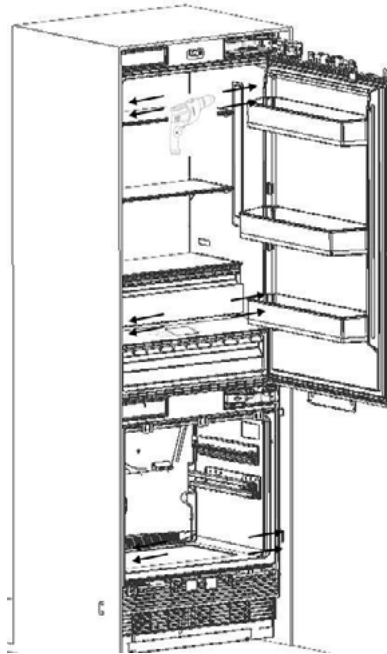


- The maximum height the adjustable feet can reach is 1 9/16" (40 mm), and the maximum product height is 85 3/8" (2169 mm).

INSTALLATION

SECURING THE UNIT TO THE CABINET CUTOUT

- You can now secure the appliance to the cabinet.
- Using the 16 cabinet mounting bracket screws (page 28, Item No. 13), secure the unit to the cabinet — four screws on top and 12 on each side.
- If you have difficulty tightening the screws, opening a reference hole with a drill will make this procedure easier, as shown in the images below.



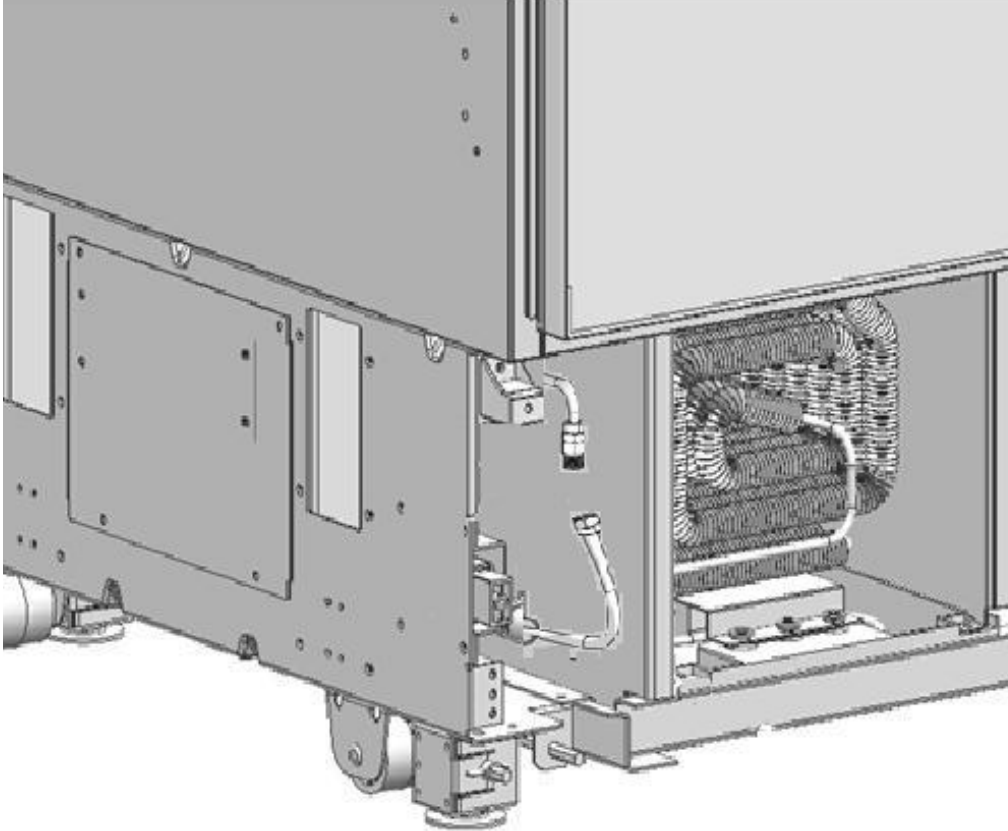
WARNING

Before starting to screw the side and upper mounting brackets, please make sure that water is supplied to the product and there is no water leakage. See page 47 for water connection details.

INSTALLATION

INSTALLING THE WATER CONNECTION

- With the unit secured into the cabinet cutout, use two wrenches to firmly connect the main water line hose from the front of the unit to the hose coming from the valve above, as outlined in the image below.



- Once the water connection is complete, you must turn on the main water valve to ensure there are now water leaks.
- This also allows you to run water through the unit's water dispenser to drain the water filtration system before use

INSTALLATION

INSTALLING THE WATER CONNECTION



WATER SAFETY MEASURES

- The main water line hose must be one piece. Do not use extension hoses.
- Make sure power to the unit is turned off from the breaker when making the water connection of the product to limit risk of electric shock.
- The water valve must be off when connecting the water hose.
- It is recommended that the water on/off valve remains accessible after installing the product in the event service is needed.
- This product is suitable for use with cold water mains only.
- The pressure of the water system must be between 25-80 psi (1.7-5.5 Bars).
- If the water pressure exceeds 80 psi (5.5 Bars), install a pressure-limiting device or water pressure protector to the inlet valve. Never install or operate the appliance if it's possible for the water pressure to exceed 120 psi (8.3 Bars).
- If the water pressure is lower than 14.5 psi (1 Bar), you can use an auxiliary pump to compensate.
- If you do not know how to check the water pressure or are unsure how to utilize an auxiliary pump, please consult a professional plumber.

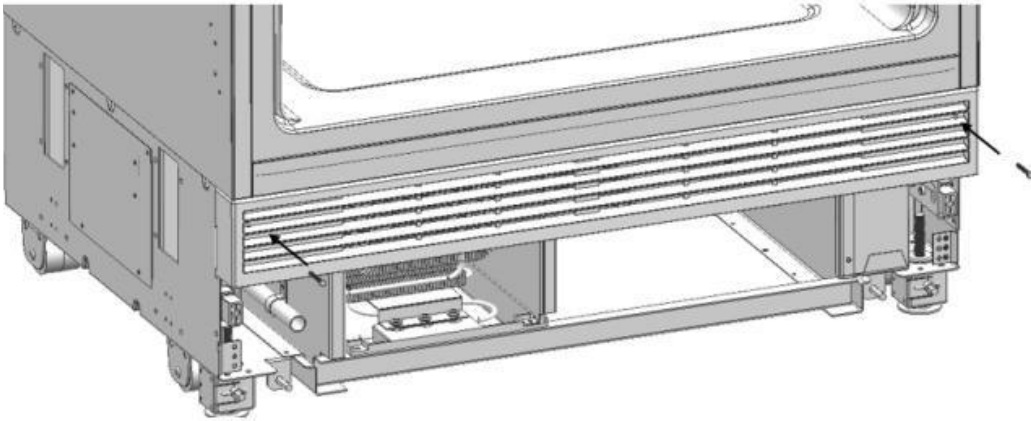
DUAL UNIT INSTALLATION

- If combining two RBIV-30 units into an RBIV-60 model, please note both RBIV-30 units have a dedicated water supply, each requiring a hose with a minimum length of 60" (1524 mm) and a diameter of 1/4" (6 mm) for proper water connections.
- If the plumbing of your home needs alteration to accommodate built-in refrigeration, a qualified technician or professional plumber may tee off the water supply to provide water to both units if the customer desires.
- Read more about dual unit installation on page 87.

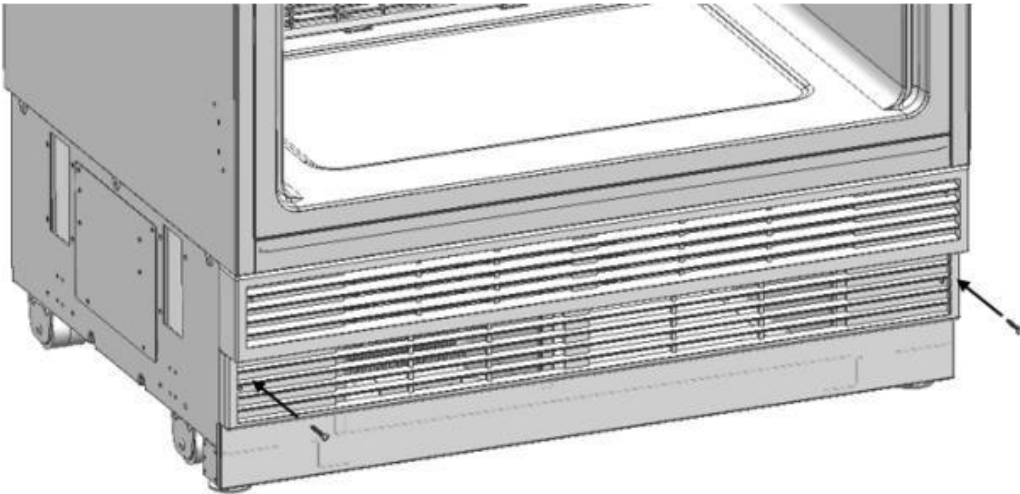
INSTALLATION

RE-ATTACHING THE VENT PANELS

- Use the two screws removed previously on page 32 to re-attach the upper vent panel.



- Next, use the two screws removed previously to re-attach the lower vent panel.



NOTE: You can slightly adjust the lower vent panel forward or backward to align with the kick plate in the kitchen.



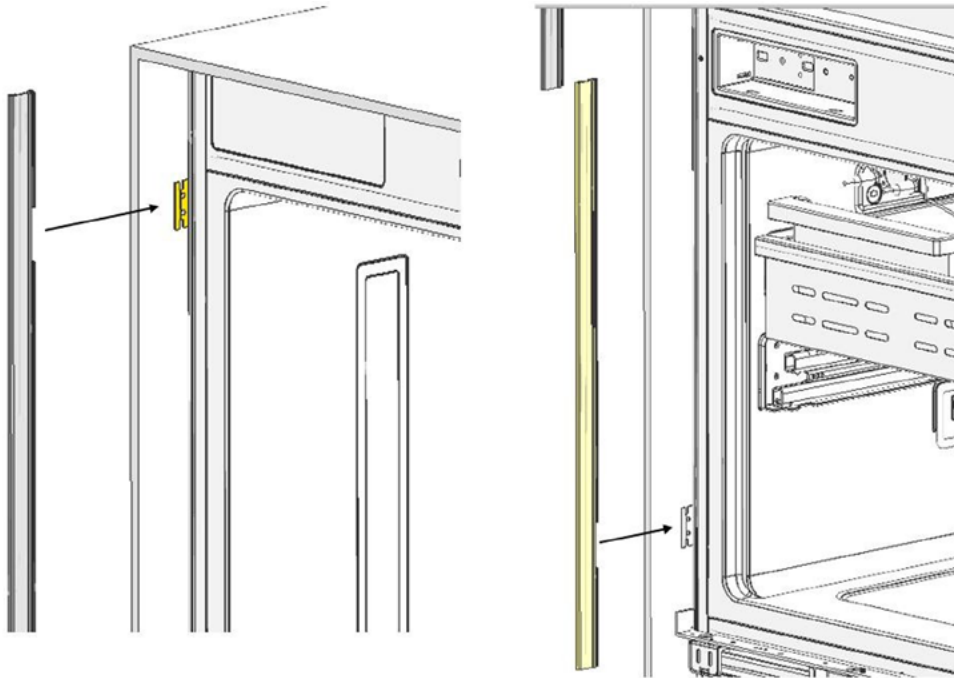
WARNING

Forward-backward travel distance of the lower panel must be 15/16" (23 mm). As you can see in the figure, the decorative kick plate must not be in front of the upper vent hole level.

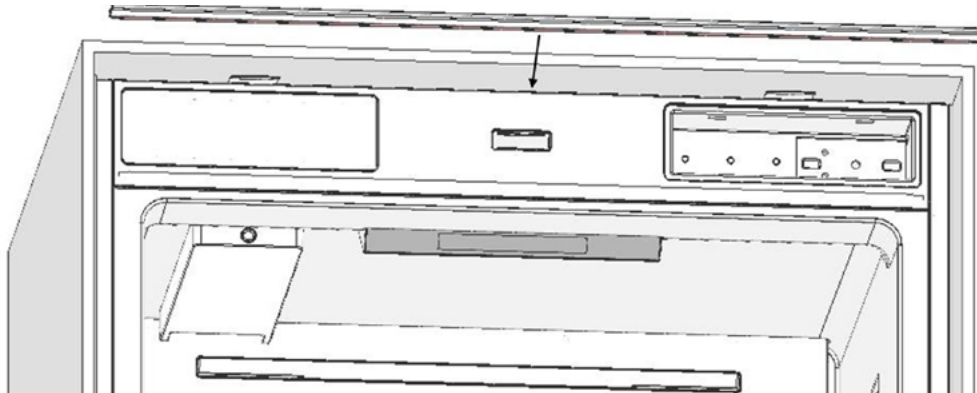
INSTALLATION

ATTACHING THE TRIM PIECES

- Attach the cabinet side trim pieces (page 27, Item No. 1) onto the refrigerator and freezer, covering the cabinet mounting brackets as shown below.



- Attach the refrigerator cabinet top trim (page 27, Item No. 4) onto the refrigerator, covering the cabinet mounting brackets as shown below.



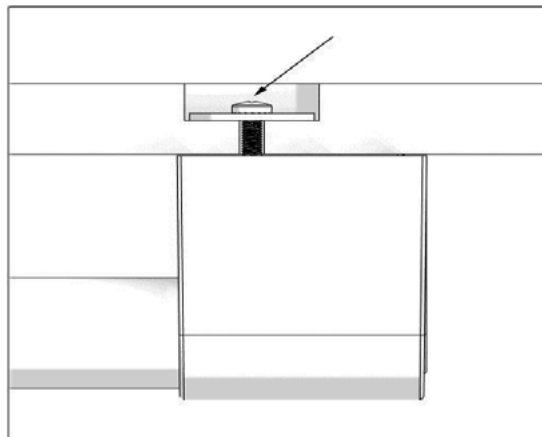
INSTALLATION

DOOR PANEL PREPARATION

The following pages contain information about preparing the door panels and mounting them to the product.

ATTACHING THE DOOR HANDLES

For both the refrigerator and freezer door handles, the provided mounting studs need to be installed on the decorative side of the panel; fix the other side of the screw in place with a washer and nut, and attach the handles as shown below.



WARNING

The maximum weights of the door panels to be mounted to the product are as follows. Anything heavier increases the risk of the product tipping, and serious injuries may occur:

- Refrigerator Door: 36 lbs. (16 kg)
- Freezer Door: 20 lbs. (9 kg)

INSTALLATION

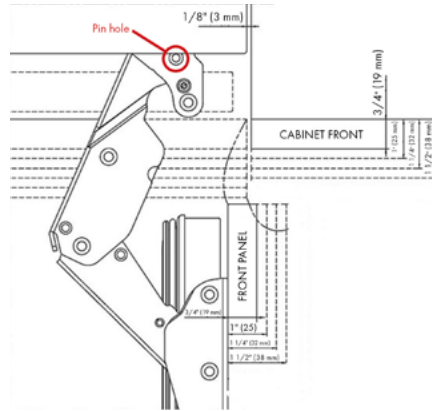
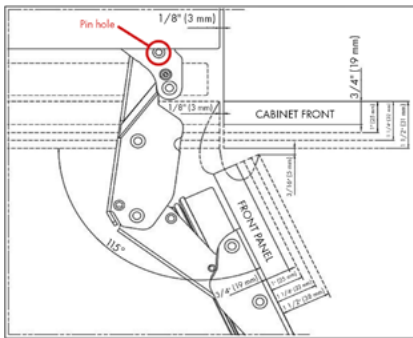


WARNING

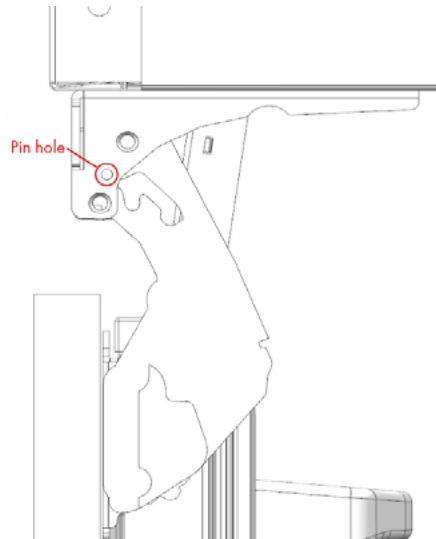
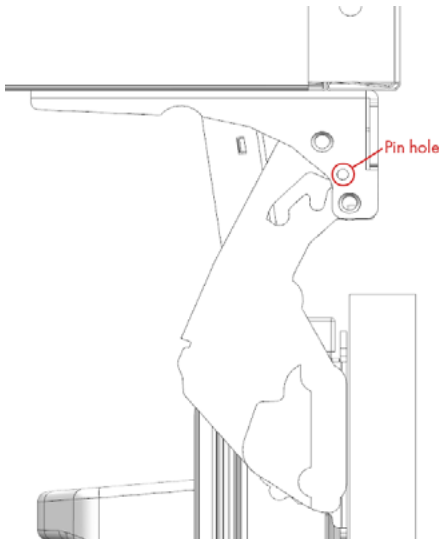
CHOOSING THE DOOR THICKNESS

The door(s) of your refrigerator can open by 115° maximum. If the door is going to open to this degree, you can choose the following thickness levels depending on your door panels:

- If the door thickness is more than 1 1/2" (38 mm), the door should not open more than 90°. You must use a limiting pin on the hinge.



- To limit the opening degree of your RBIV-30 door to 90°, insert one 90° limiting pin (page 28, Item No. 6) into the hole on the bottom hinge outlined in the images above.
- For RBIV-36 units, use both of the provided limiting pins on the bottom hinge of both doors as outlined in the images below.



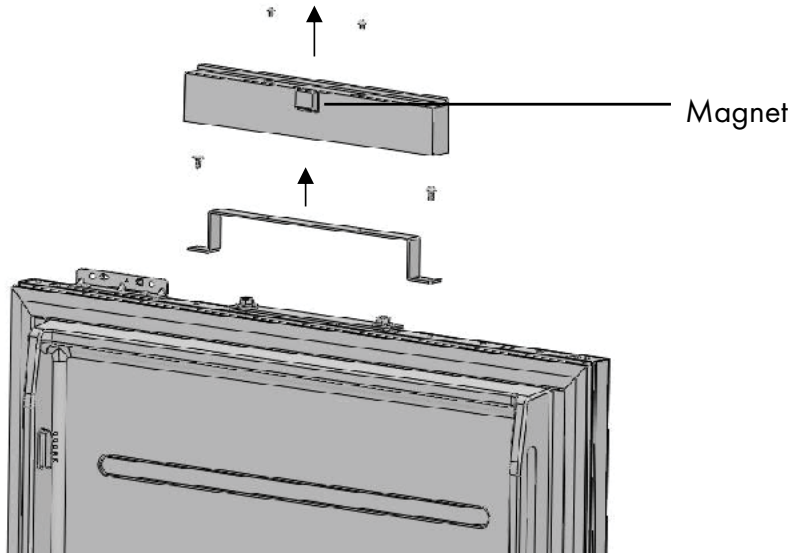
INSTALLATION



REMOVING THE DOOR BRACKET COVERS

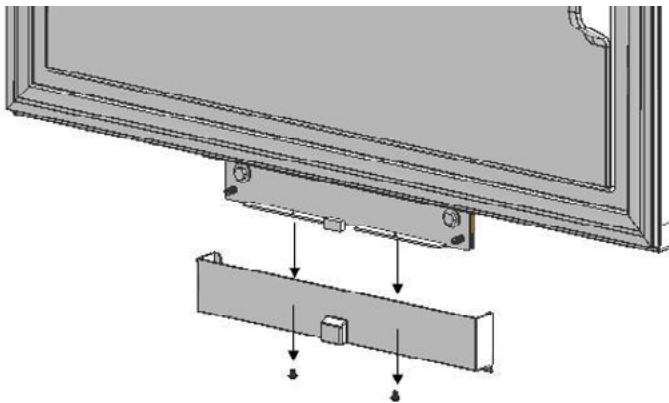
WARNING

- Remove two Phillips-head screws to take out the upper bracket trim cover and cover mounting bracket; set aside.



NOTE: There is a magnet in the cover of the top refrigerator door mounting bracket. This is a functional part for the operation of the product. It should not be confused with the lower bracket.

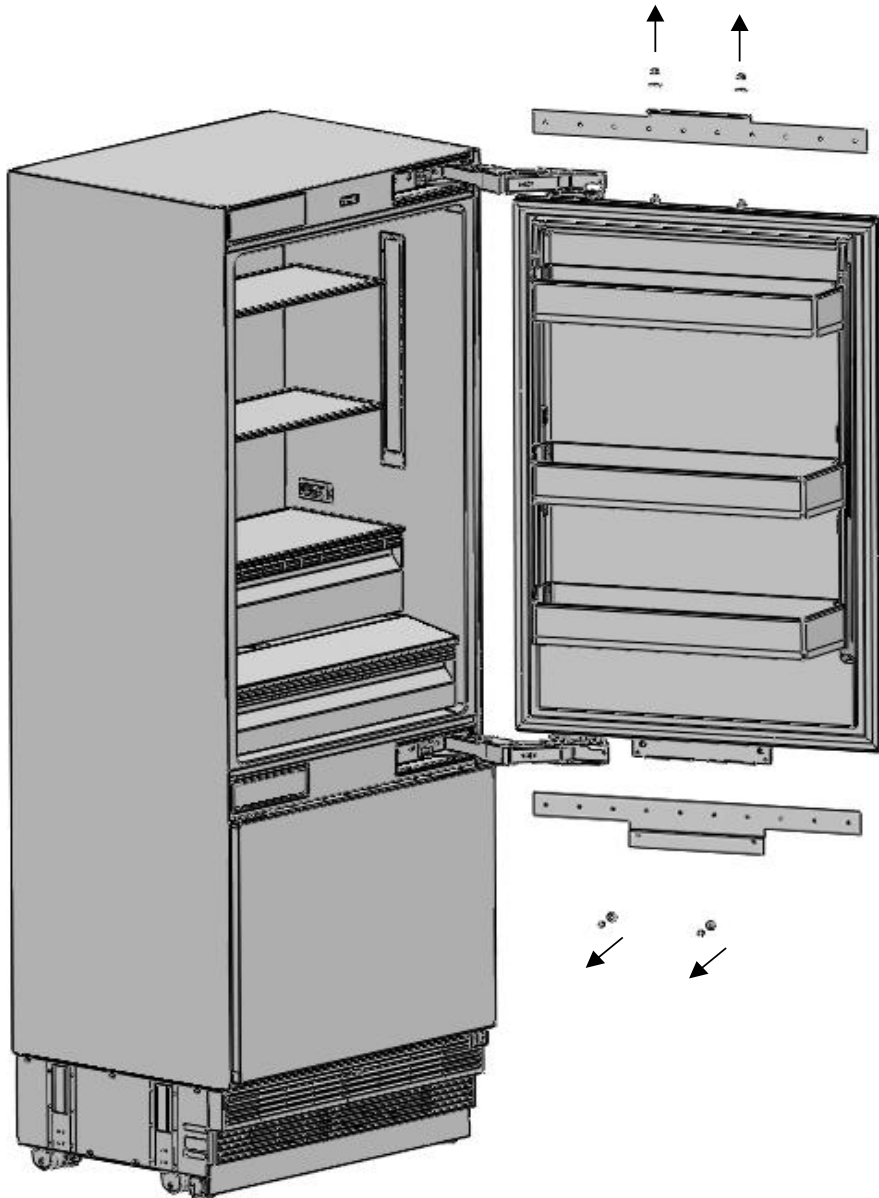
- Remove two Phillips-head screws to take out the lower cover mounting bracket; set aside.



INSTALLATION

REMOVING THE DOOR PANEL-ADJUSTMENT BRACKETS

- Using a drill or socket wrench, remove the bolts securing the upper and lower door panel hanger brackets from the refrigerator door.

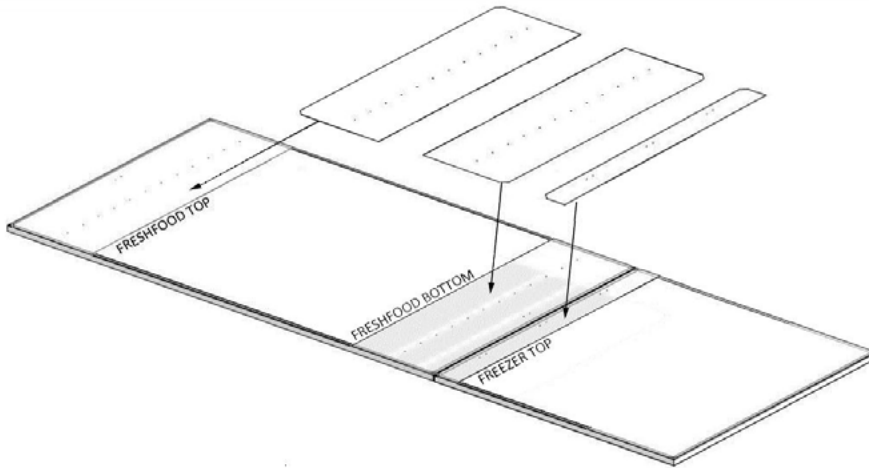


INSTALLATION

PREPARING DOOR PANELS



You must take the dimensions on the following pages into account when positioning the door panel hanger brackets on the panel. When pre-drilling holes, you can use the provided door panel preparation template (page 28, Item No. 1) to align the panel brackets in the correct location. Use care to not drill too deep when pre-drilling.



WARNING

Handle connection holes must be adjusted according to the handle orientation you plan to use in your kitchen design.



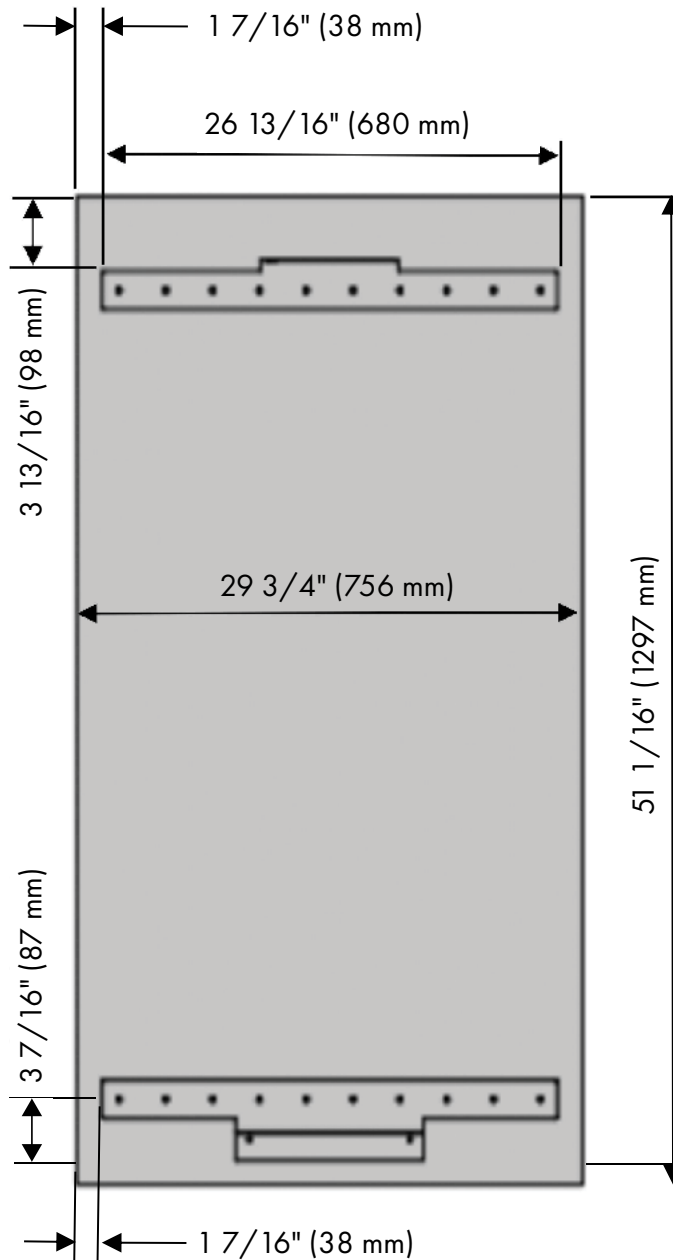
WARNING

Minimum thickness of the panels for both the refrigerator and freezer doors must be 3/4" (19 mm).

INSTALLATION

PREPARING THE REFRIGERATOR DOOR PANEL

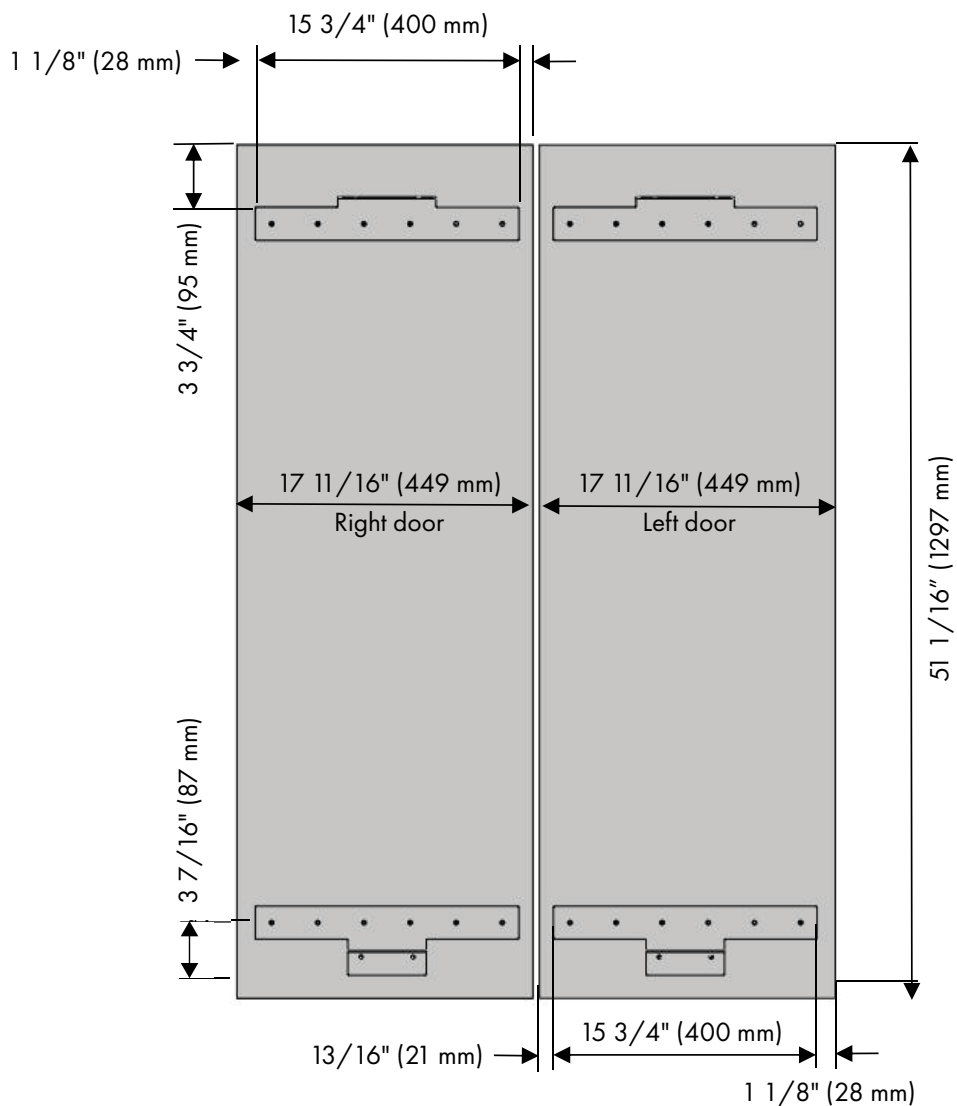
RBIV-30 REFRIGERATOR DOOR PANEL DIMENSIONS



INSTALLATION

PREPARING THE REFRIGERATOR DOOR PANEL

RBIV-36 REFRIGERATOR DOOR PANEL DIMENSIONS



INSTALLATION

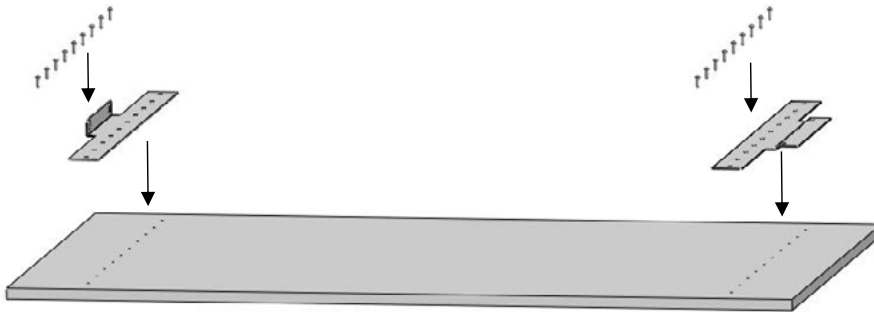
PREPARING THE REFRIGERATOR DOOR PANEL

- Secure the refrigerator door panel hanger brackets removed on page 54 as shown below using the provided screws (page 29, Item No. 18).
- You can use the door panel preparation template provided with the product to align these parts. We recommend keeping this template for future reference.

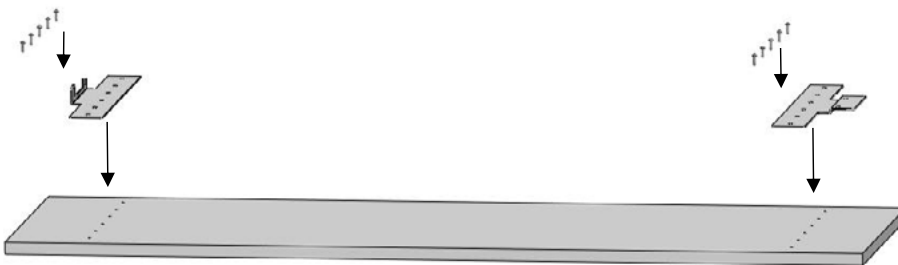


You must use screws suitable for the door thickness; this can vary depending on if you opt for custom panels.

RBIV-30 — 20 screws total, 10 for each bracket



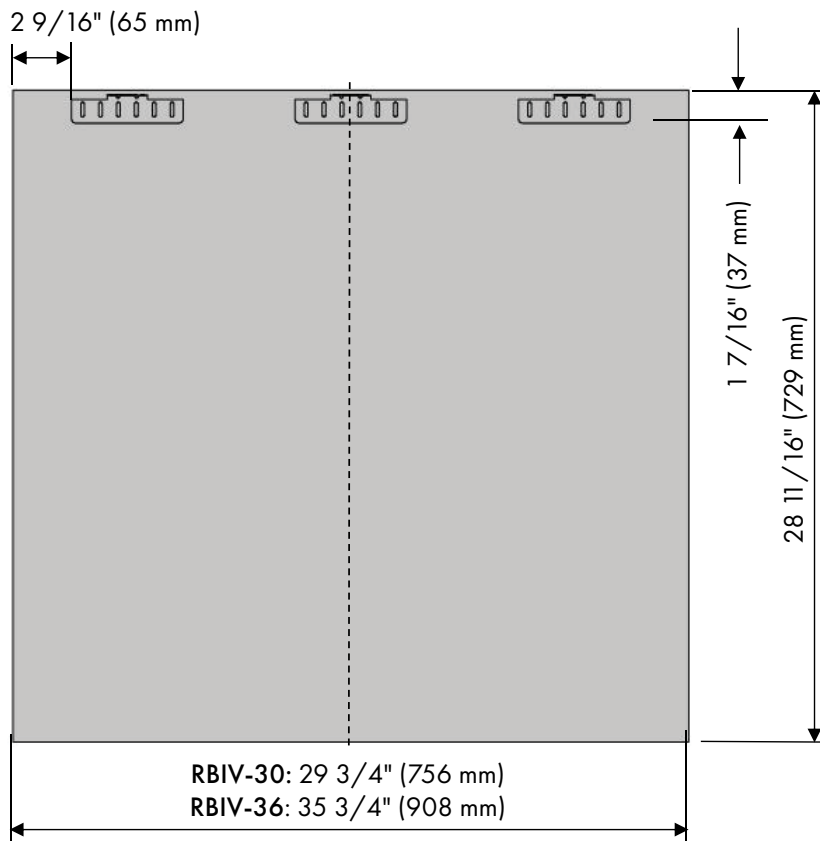
RBIV-36 — 24 screws total, 6 for each bracket (2 brackets per door)



INSTALLATION

PREPARING THE FREEZER DOOR PANEL

RBIV-30 AND RBIV-36 FREEZER DOOR PANEL DIMENSIONS



INSTALLATION

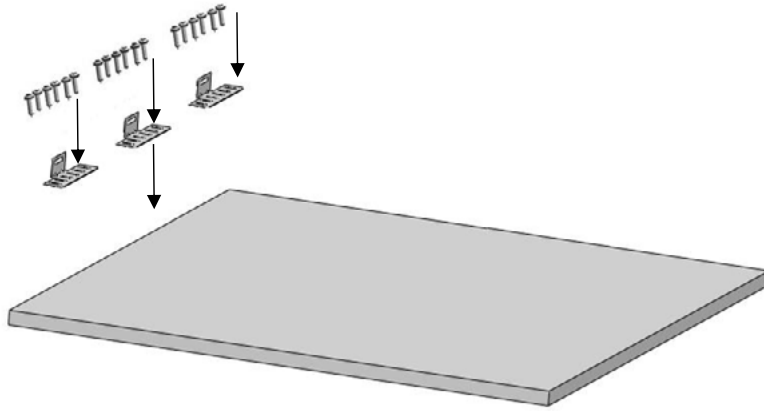
PREPARING THE FREEZER DOOR PANEL

- Install the three freezer door panel hanger brackets (page 28, Item No 9) as shown below using 18 of the provided screws (page 28, Item No. 10).
- Use the door panel preparation template provided with the product to align these parts. We recommend keeping this template for future reference.



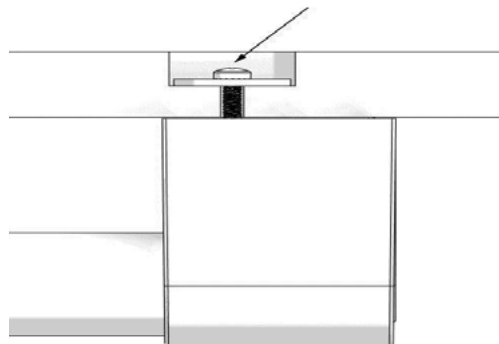
WARNING You must use screws suitable for the door thickness; this can vary depending on if you opt for custom panels.

RBIV-30 AND RBIV-36 freezer door - 18 screws total, 6 for each bracket



ATTACHING THE DOOR HANDLES

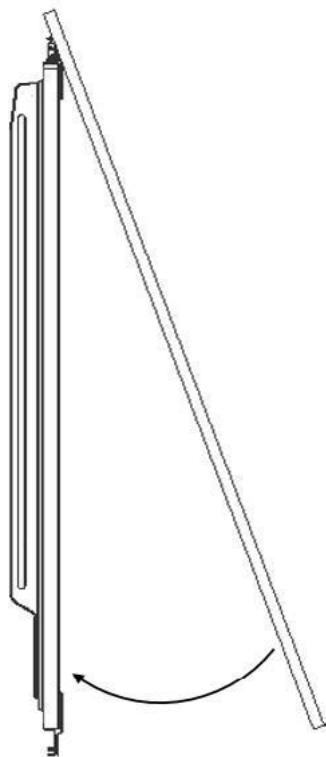
- For both the refrigerator and freezer door handles, the provided mounting studs need to be installed on the decorative side of the panel; fix the other side of the screw in place with a washer and nut, and attach the handles as shown below.



INSTALLATION

INSTALLING THE REFRIGERATOR DOOR PANEL

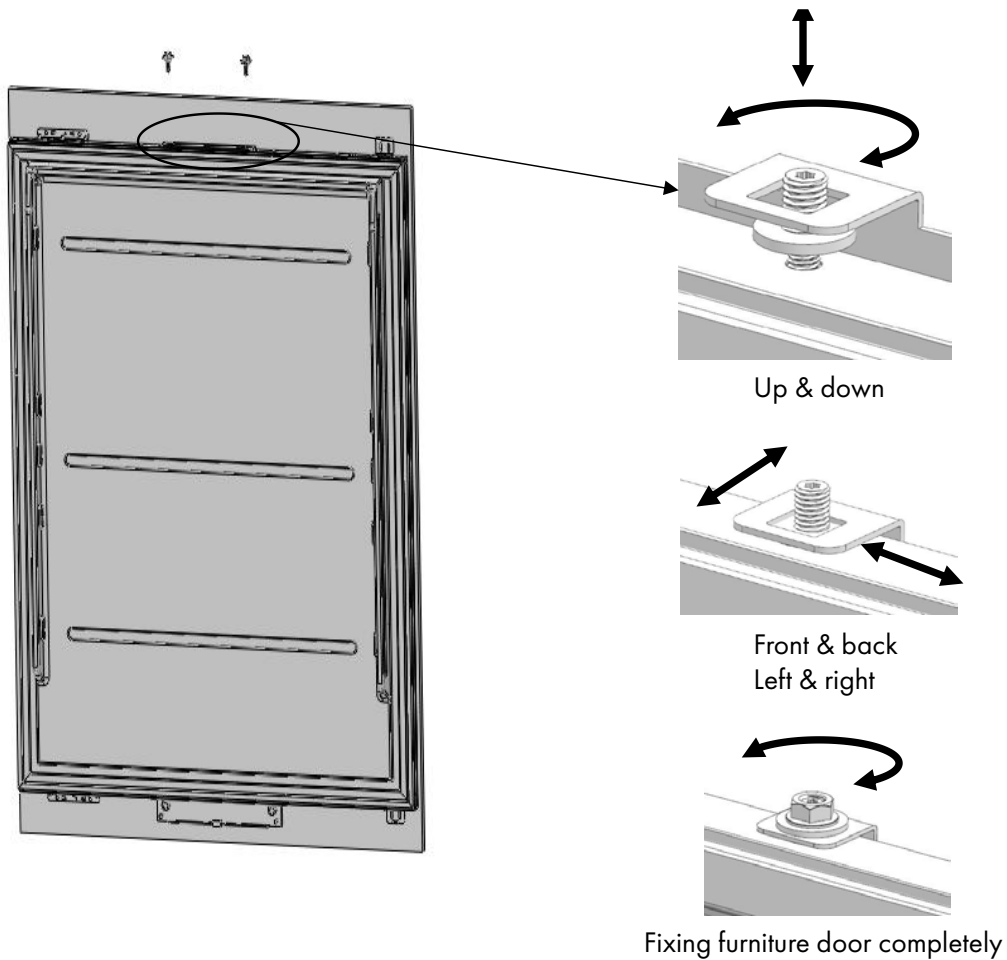
- With brackets properly installed, hang the door panel to the refrigerator door by aligning the top door panel hanger bracket to where the upper bracket and trim covers were removed on pages 53-54.



INSTALLATION

ALIGNING THE REFRIGERATOR DOOR WITH BOLTS

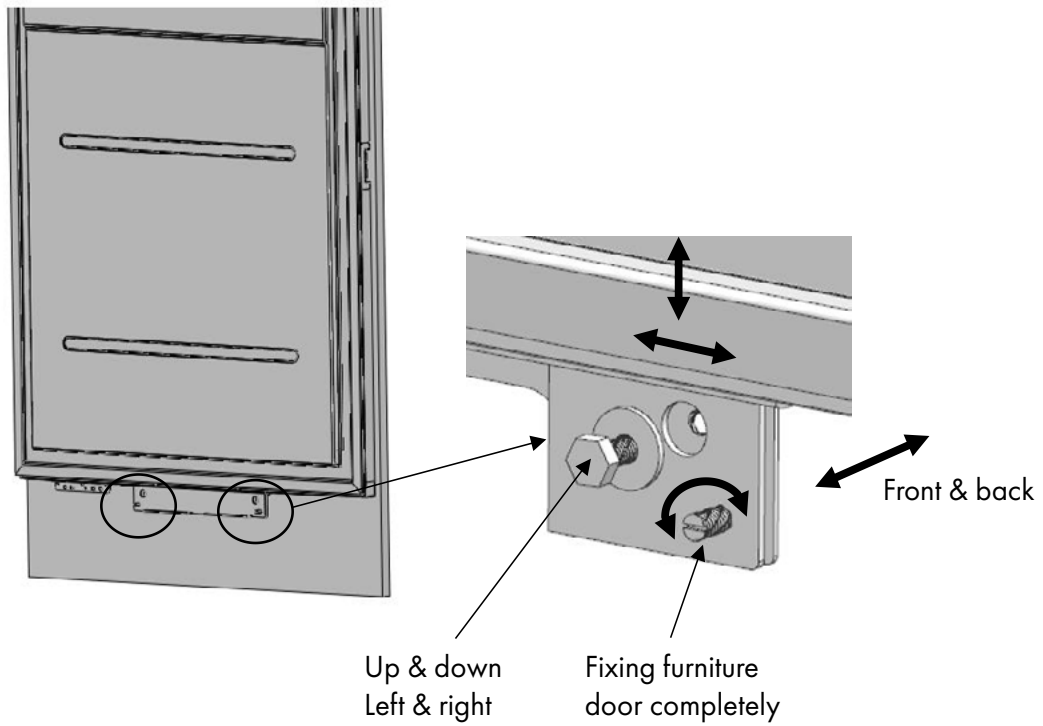
- You must position the door panel to be flush with both the refrigerator door and to the cabinet cutout.
- Distances between the doors must be $1/8"$ (3 mm); refer to page 42 as a reminder on how to properly align the door panels.
- To help with this, use a drill or socket wrench to rotate two fixing bolts at the top refrigerator door panel hanger bracket to perform fine adjustments, as outlined below.



INSTALLATION

ALIGNING THE REFRIGERATOR DOOR WITH BOLTS

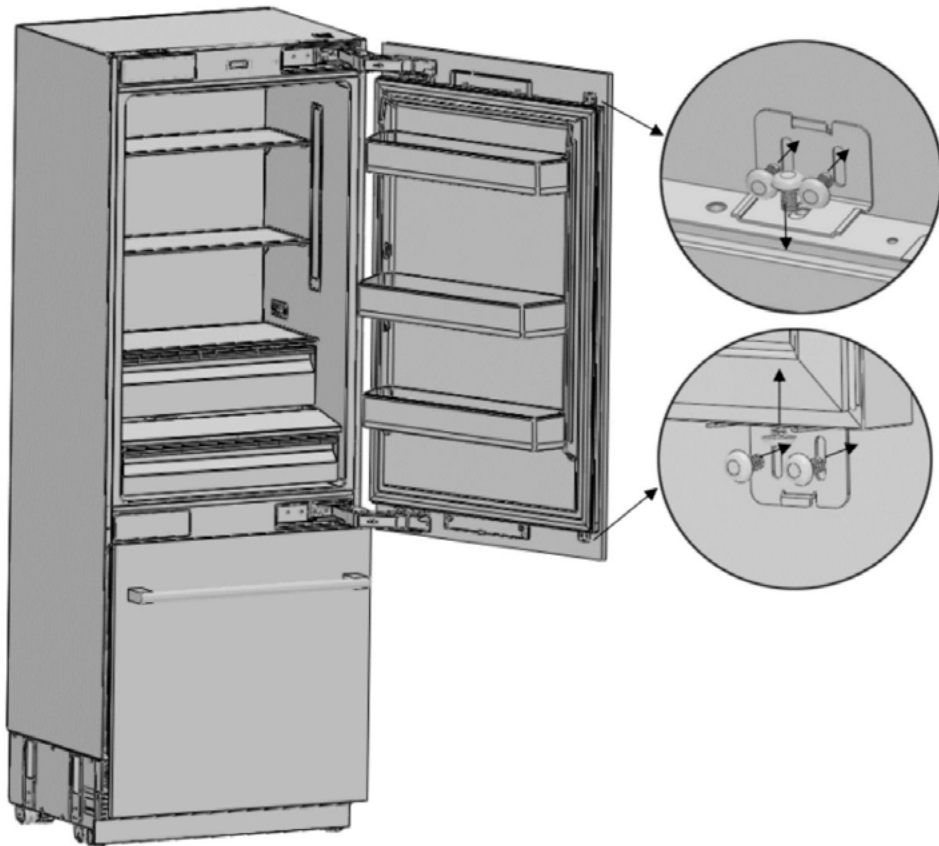
Perform a similar process with the fixing bolts located at the bottom door panel hanger bracket, as shown below.



INSTALLATION

SECURING THE REFRIGERATOR DOOR PANEL

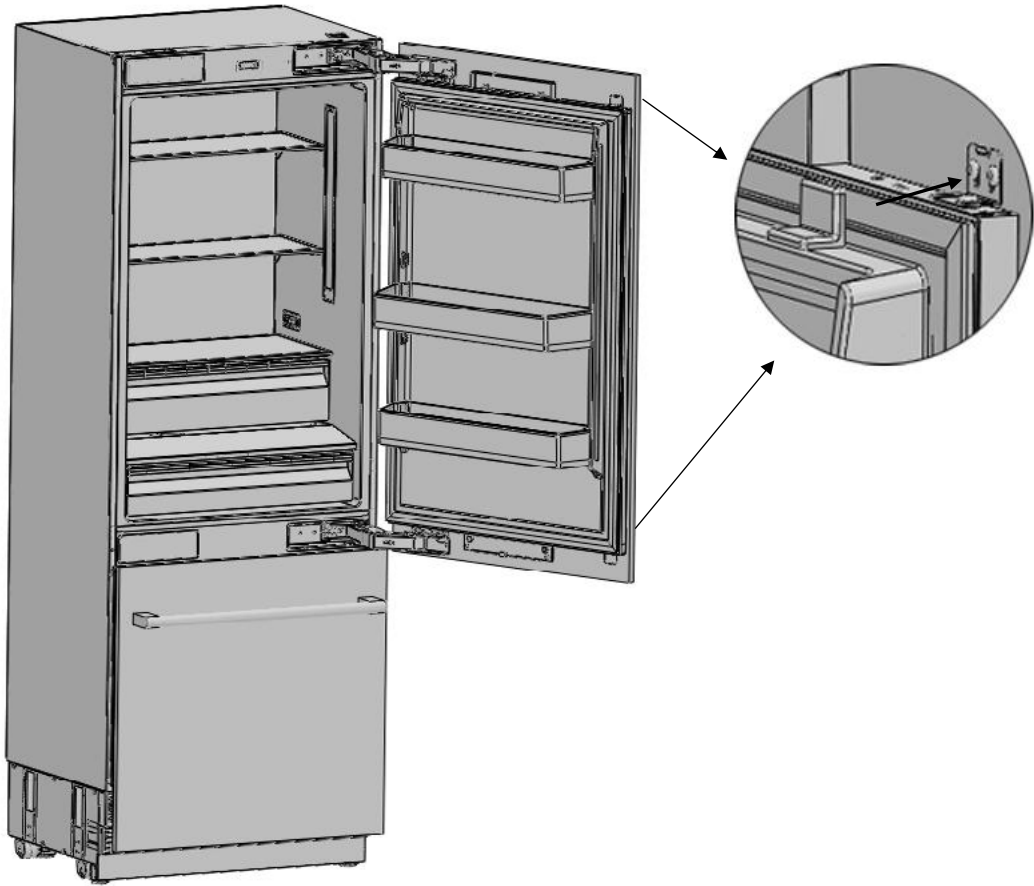
- Once the refrigerator door is aligned at top and bottom, use the door panel connecting bracket (page 29, Item No. 16) to connect to the door.
- Use one door fixing screw (page 29, Item No. 15) to attach each bracket onto the door.
- Use two door fixing screws (page 29, Item No. 17) to attach each bracket onto the panel.



INSTALLATION

SECURING THE REFRIGERATOR DOOR PANEL

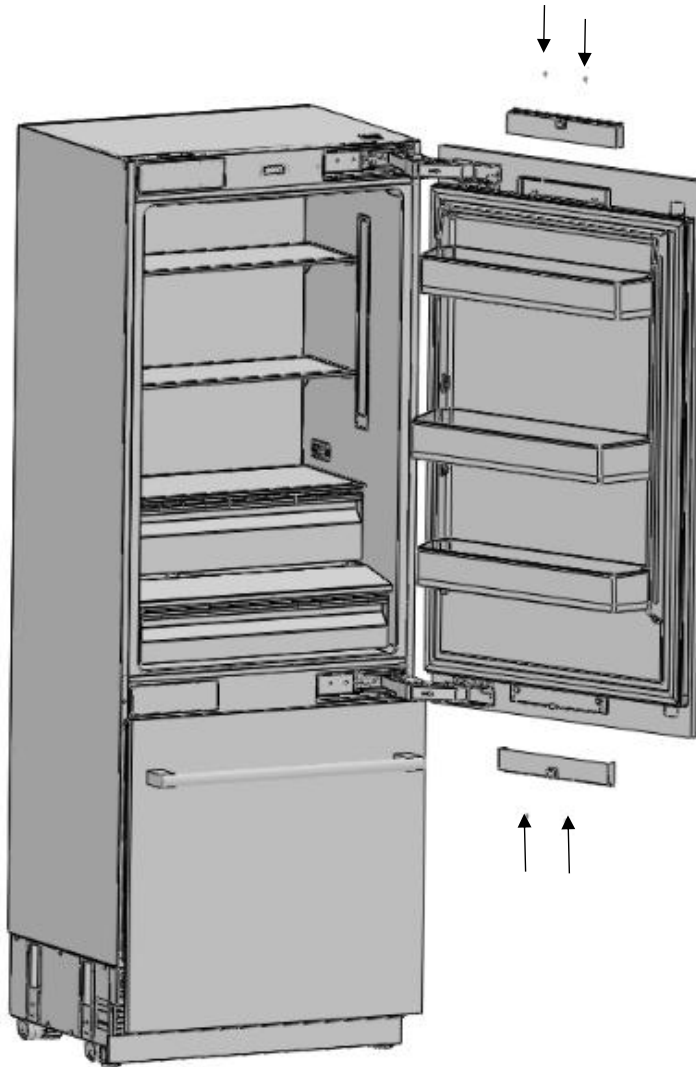
Clip the door panel connecting bracket cover (page 29, Item No. 14) onto each bracket as shown below.



INSTALLATION

SECURING THE REFRIGERATOR DOOR PANEL

Re-attach and screw in the upper/lower cover mounting brackets that were removed on page 53. NOTE: The below image is for the RBIV-30.

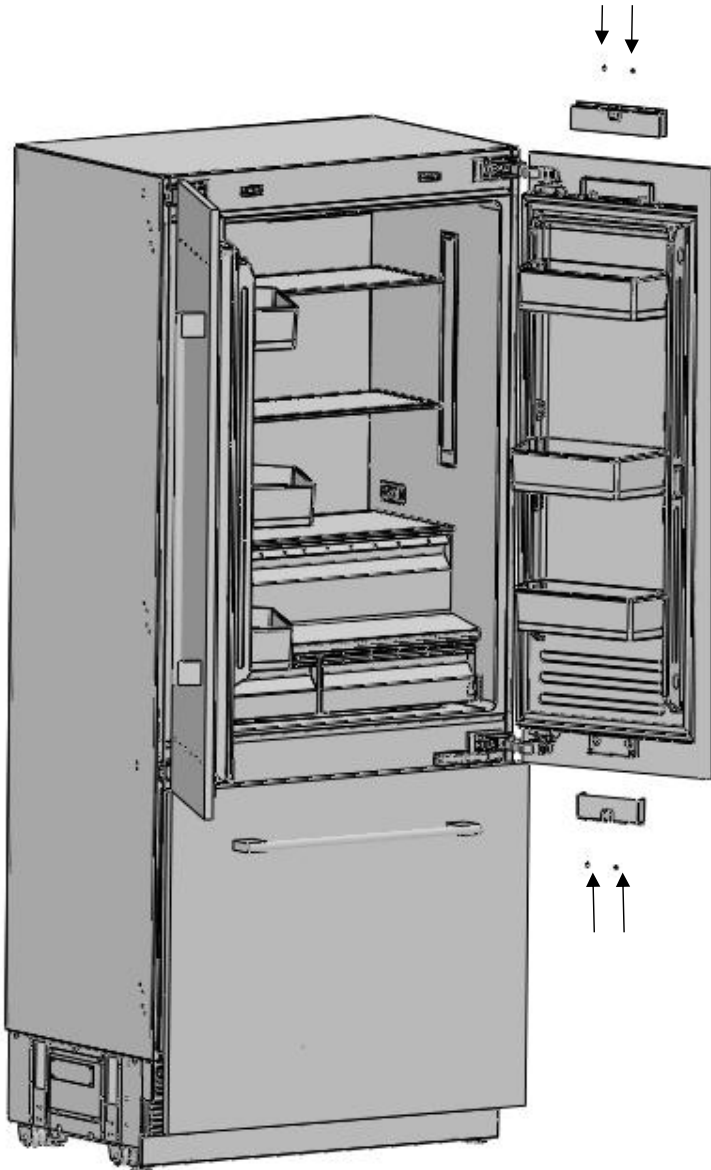


There is a magnet in the cover of the top refrigerator door mounting bracket. This is a functional part for the operation of the product. It should not be confused with the lower bracket cover during the re-attaching step.

INSTALLATION

SECURING THE REFRIGERATOR DOOR PANEL

- Re-attach and screw in the upper/lower cover mounting brackets that were removed on page 53. **NOTE:** The below image is for the RBIV-36.

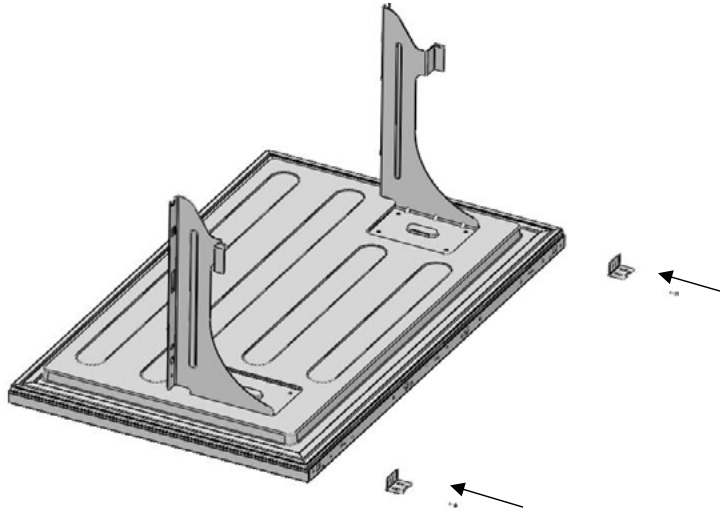


There is a magnet in the cover of the top refrigerator door mounting bracket. This is a functional part for the operation of the product. It should not be confused with the lower bracket cover during the re-attaching step.

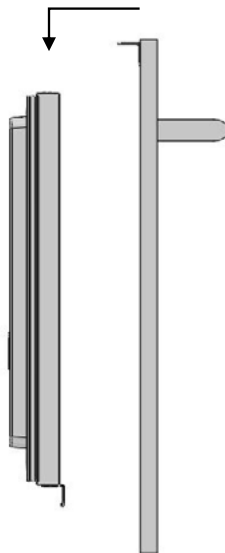
INSTALLATION

SECURING THE FREEZER DOOR PANEL

- Attach door panel connecting brackets (page 29, Item No. 16) on the lower part of the freezer, each with one screw (page 29, Item No. 15)



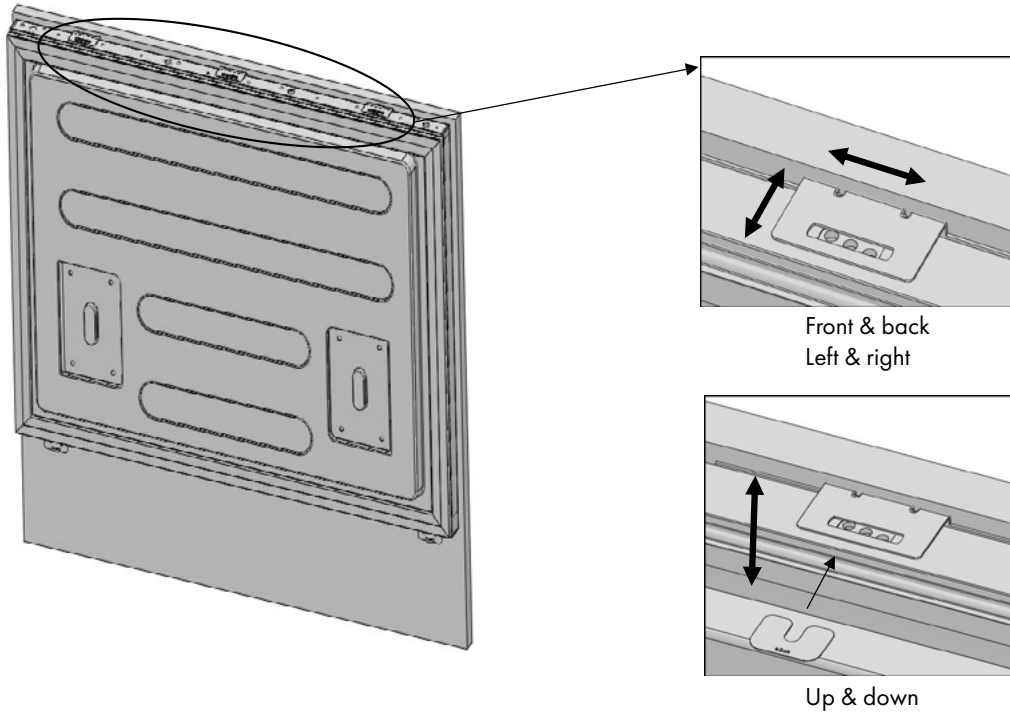
- Attach the panel onto the freezer door using the previously installed freezer door panel hanger brackets (page 60).



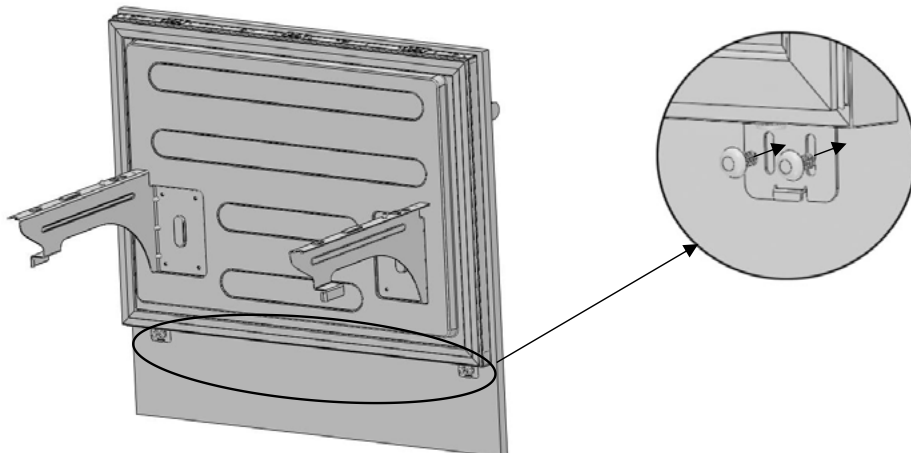
INSTALLATION

SECURING THE FREEZER DOOR PANEL

- Align the upper part of the door with the freezer door and secure the freezer door panel hanger brackets with three screws (page 28, Item No. 8) as outlined below.
- Freezer door adjustment spacers (page 28, Item No. 7) are provided if needed to align the freezer door up and down.



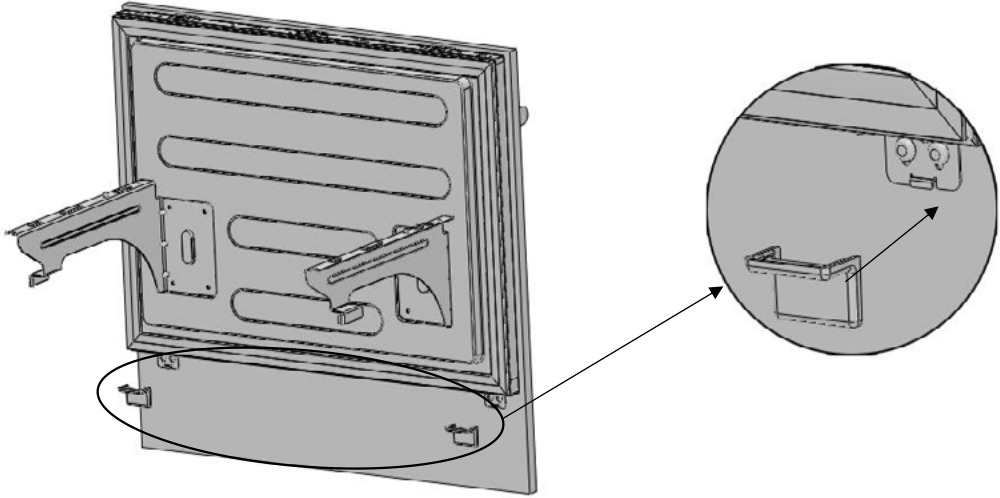
- Next, fasten two screws (page 29, Item No. 17) to secure the bottom of the panel to the door panel connecting brackets.



INSTALLATION

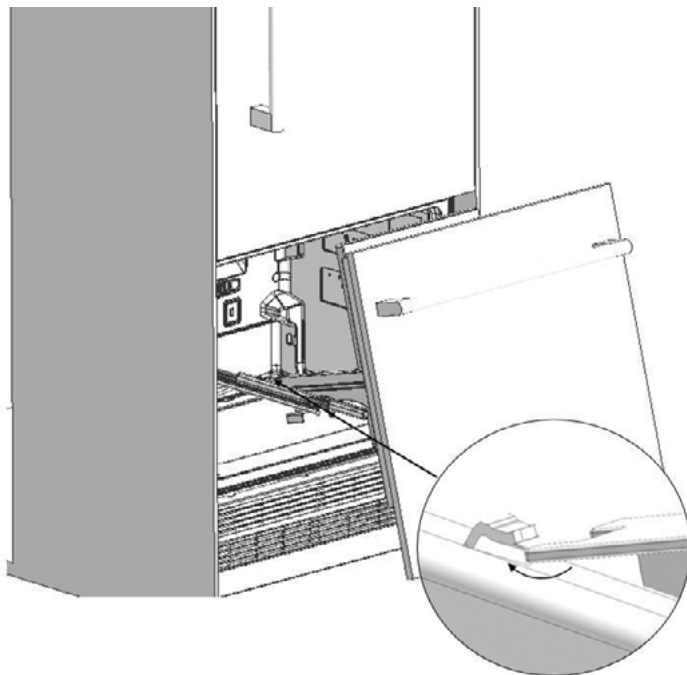
REINSTALLING THE FREEZER DOOR

- Clip the door panel connecting bracket cover (page 29, Item No. 14) onto each bracket.



WARNING You must keep these parts for future use. You will need them if you want to change the door directions.

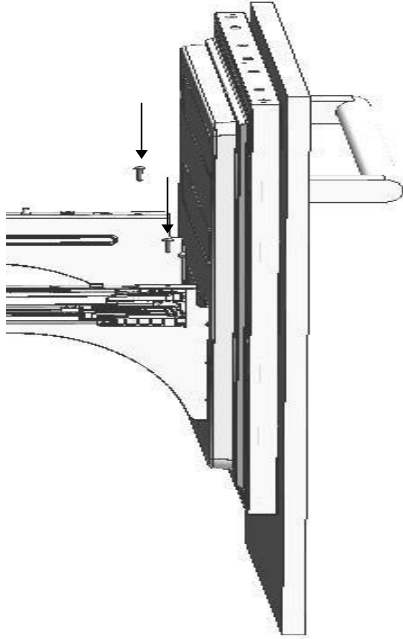
- Re-install the freezer door panel onto the rails in the reverse order of page 31 by clicking into the rear rail lock tabs.



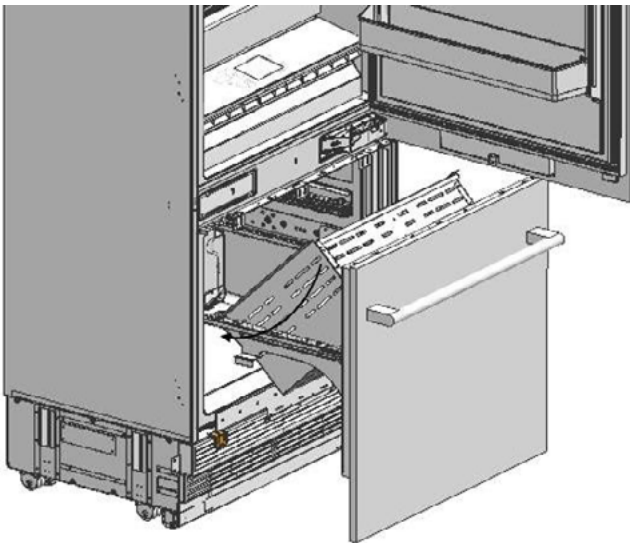
INSTALLATION

REINSTALLING THE FREEZER DOOR

- Fasten the freezer door panel onto the rails with two screws removed on page 31.



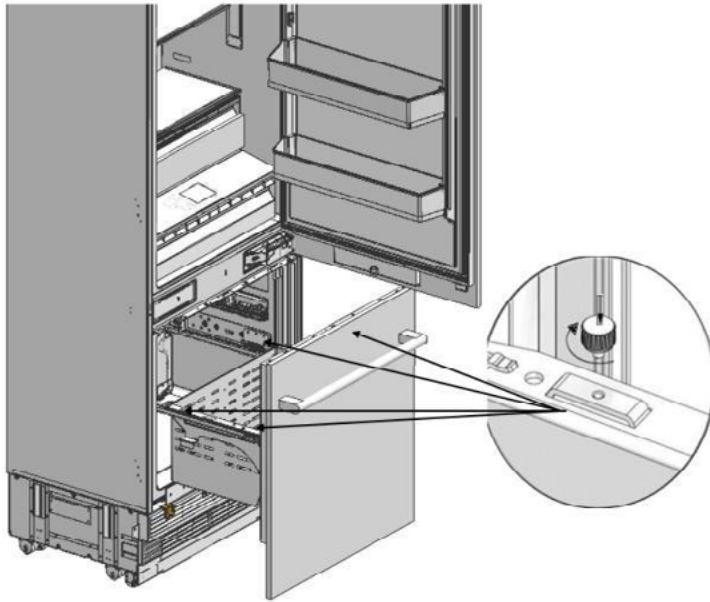
- Replace the drawer in the reverse of page 30.



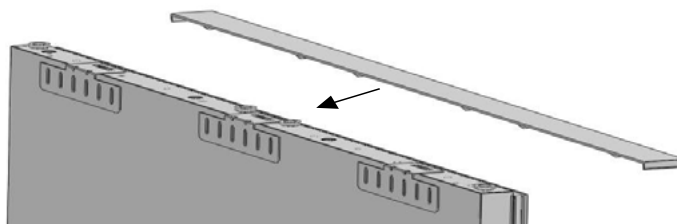
INSTALLATION

REINSTALLING THE FREEZER DOOR

- Re-fasten the four thumb screws by hand that were removed on page 30.



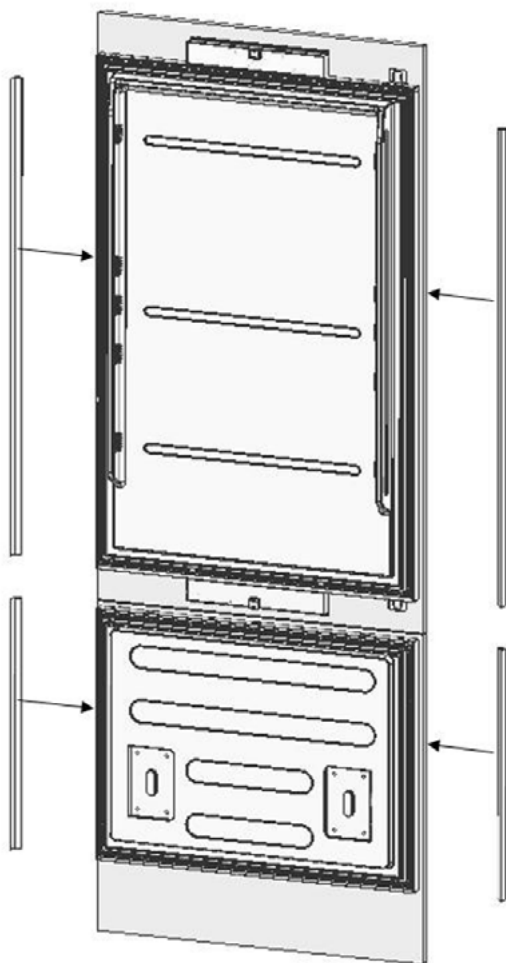
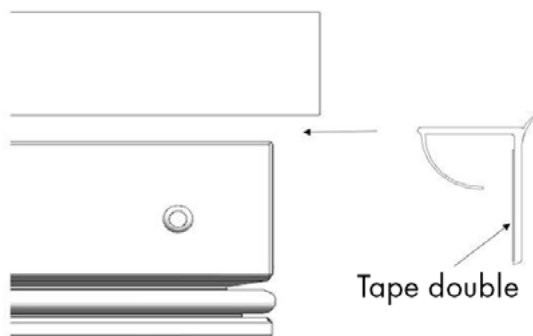
- Lastly, attach the freezer door top cover (Item No. 5, page 27) using the tabs.



INSTALLATION

ATTACHING THE TRIM PIECES

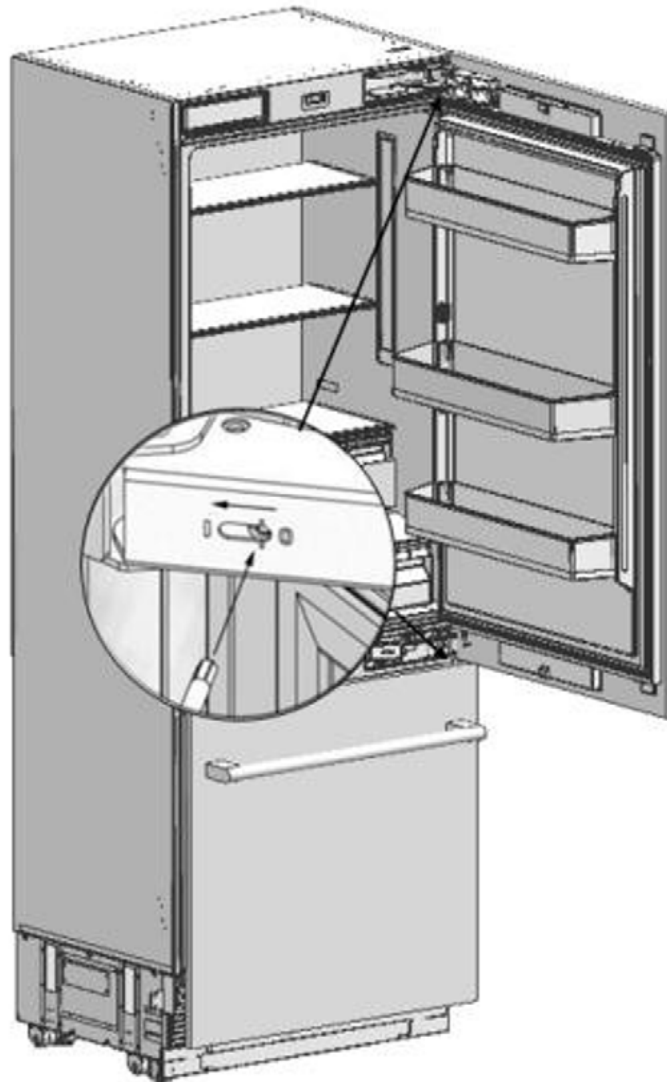
- Attach the refrigerator and freezer side trim seals (page 27, Item Nos. 2 and 3).
- The backing paper of the double-sided tape should be removed before attaching the trim pieces.



INSTALLATION

HINGE ADJUSTMENT

To adjust the tension of the door hinges, use a drill to adjust the hardness of the upper and lower hinges of the refrigerator door. Set the hinge adjustment screw to position "I" from position "O".



WARNING

The door(s) must be fully open during this adjustment.



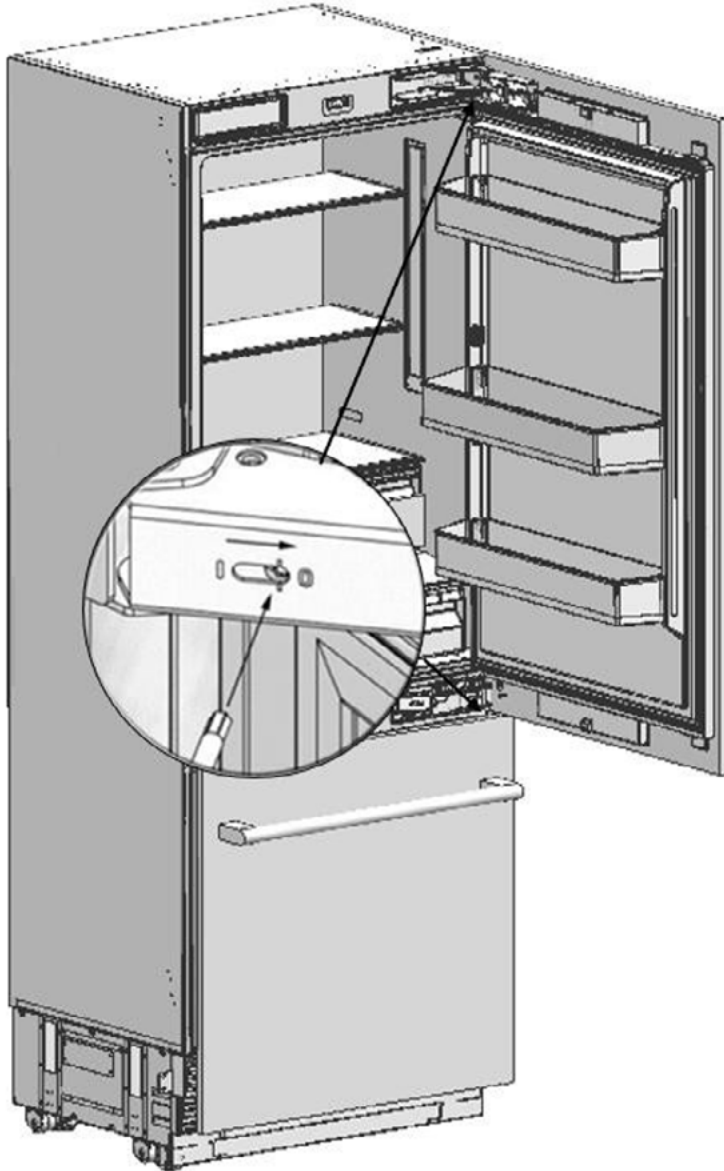
WARNING

Minimum thickness of the door must be 3/4" (19 mm).

INSTALLATION

CHANGING THE DIRECTION OF THE REFRIGERATOR DOOR

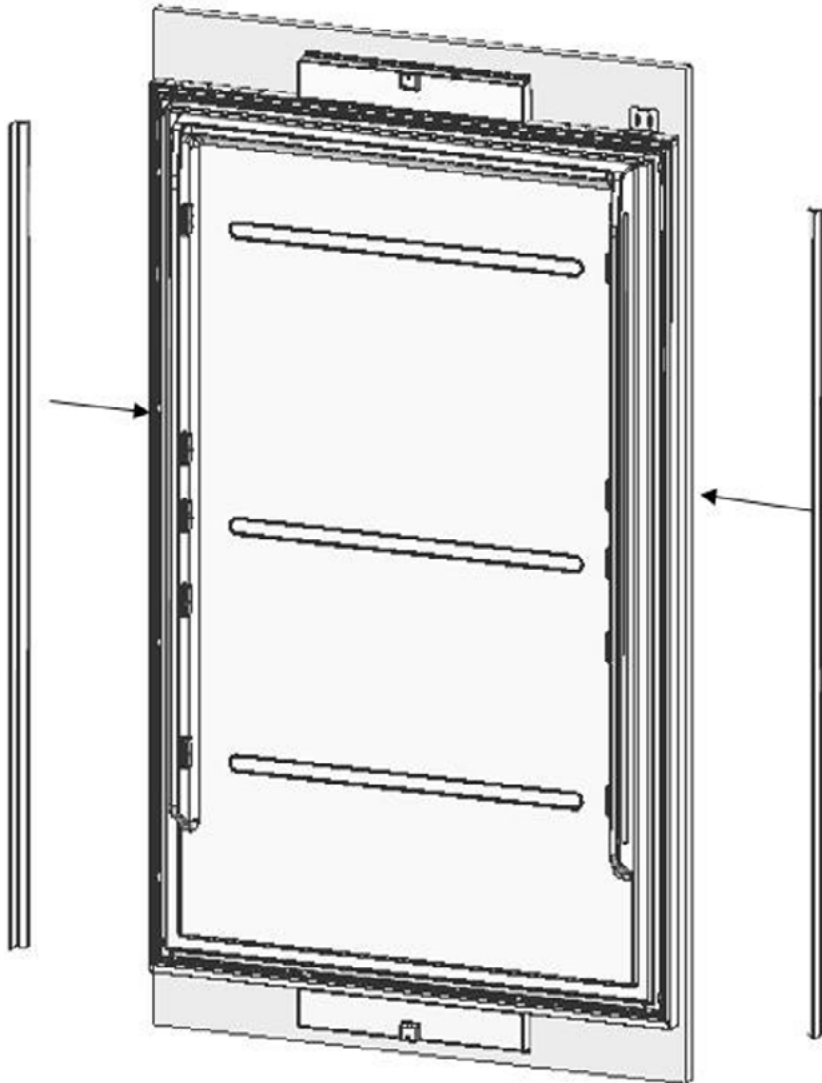
To remove the refrigerator door assembly, use a 1/4" / T25 Torx bit to adjust the tension level to "0".



INSTALLATION

CHANGING THE DIRECTION OF THE REFRIGERATOR DOOR

Next, remove the side trim pieces as outlined below.

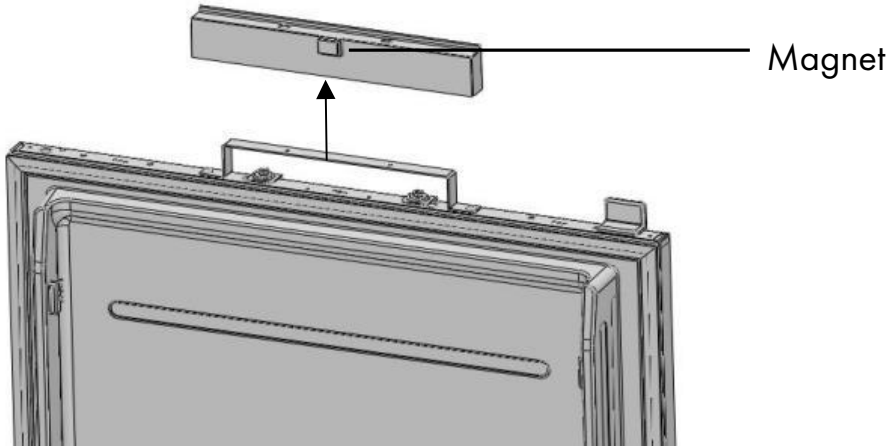


WARNING Failure to set the hinge to "0" and continuing the installation like that may cause injury.

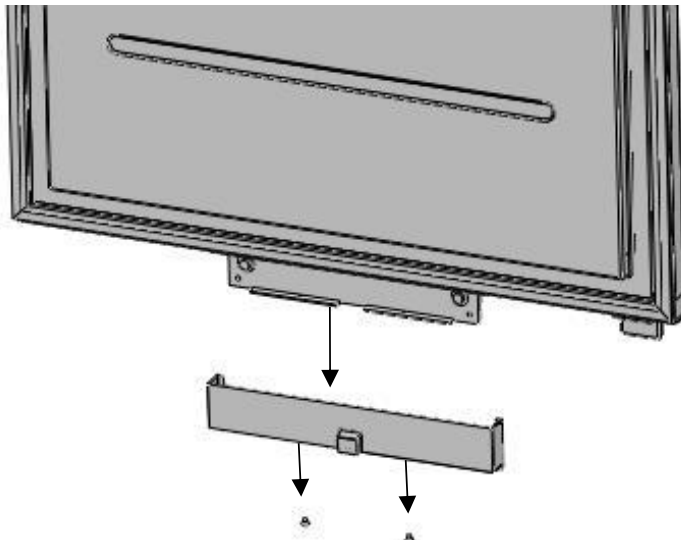
INSTALLATION

CHANGING THE DIRECTION OF THE REFRIGERATOR DOOR

- Remove two Phillips-head screws to take out the upper bracket trim cover and cover mounting bracket.



- Remove two Phillips-head screws to take out the lower cover mounting bracket.



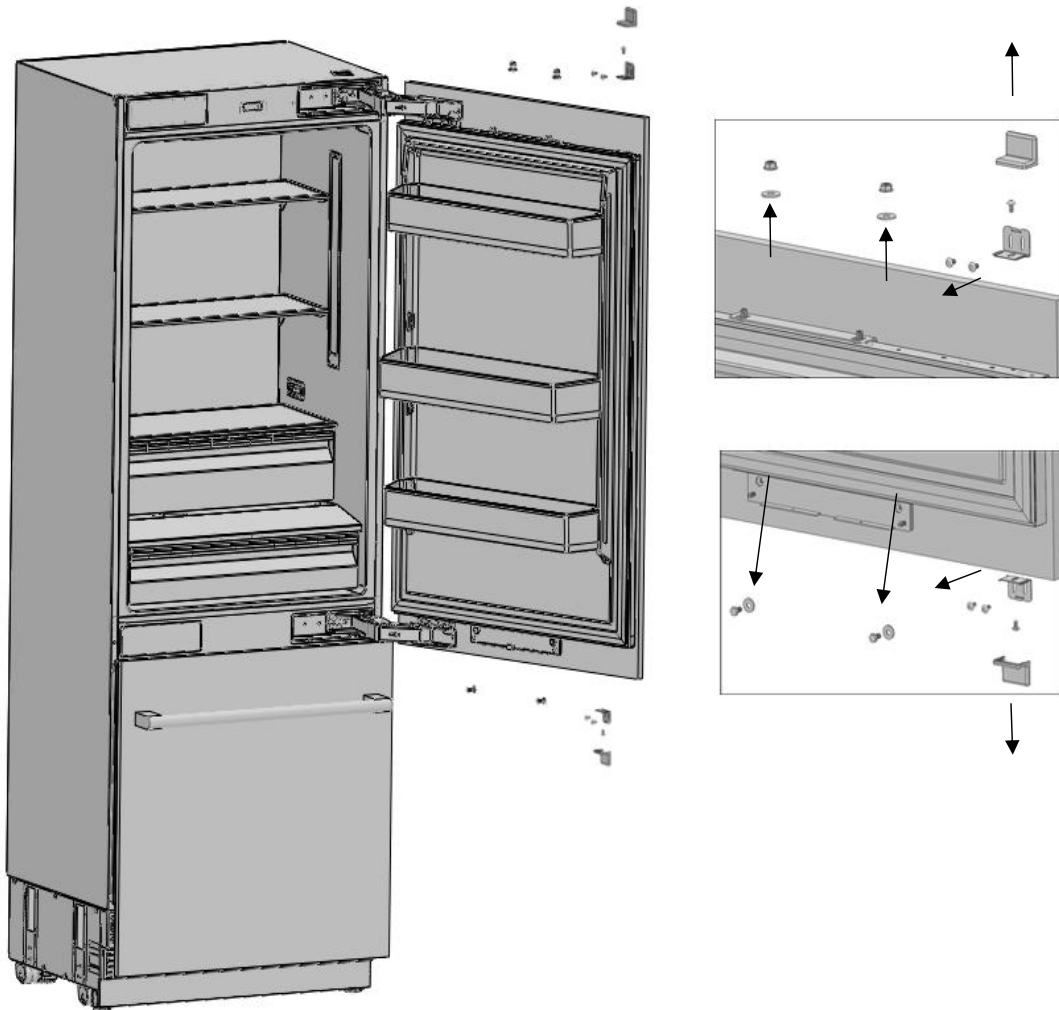
There is a magnet in the cover of the top refrigerator door mounting bracket. This is a functional part for the operation of the product. It should not be confused with the lower bracket cover during the re-attaching step.

INSTALLATION

CHANGING THE DIRECTION OF THE REFRIGERATOR DOOR

Remove the lower and upper connecting brackets and fixing screws.

RBIV-30

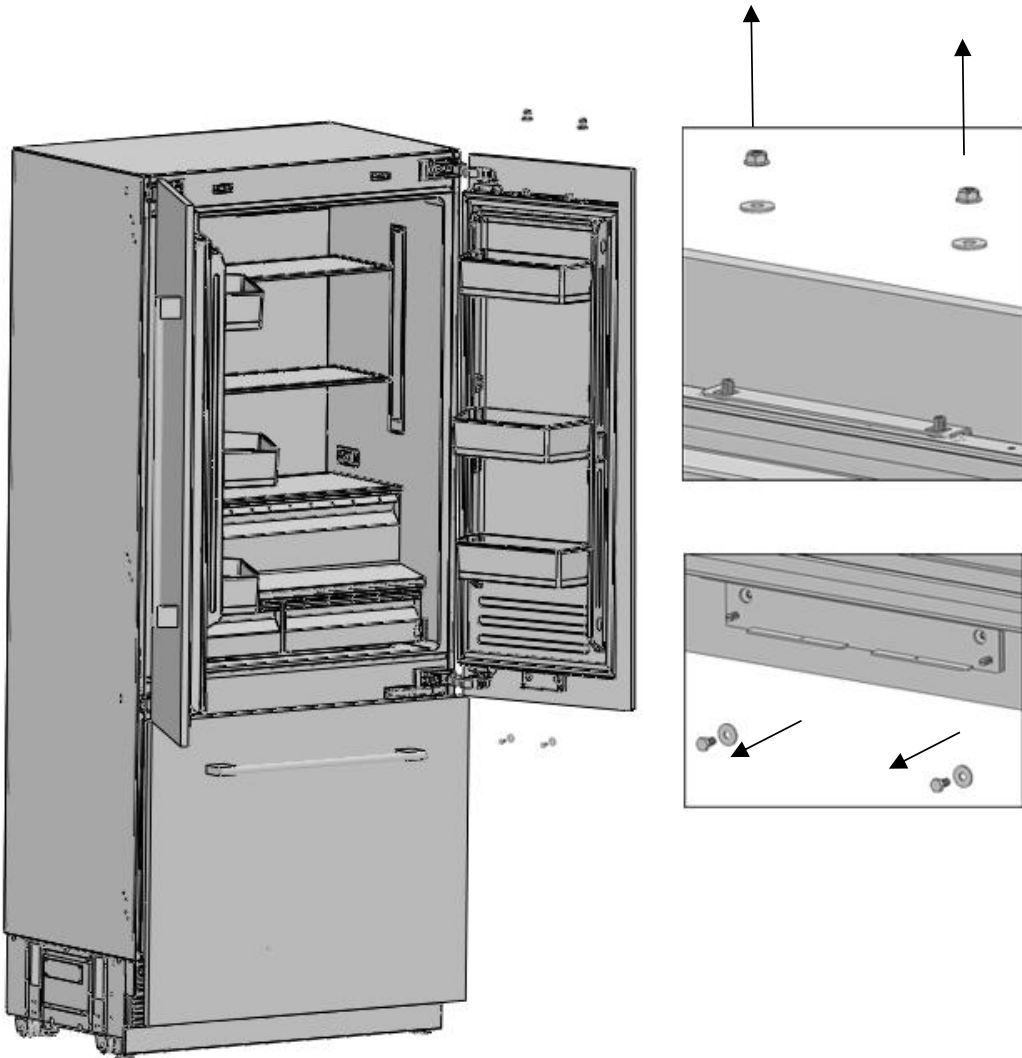


INSTALLATION

CHANGING THE DIRECTION OF THE REFRIGERATOR DOOR

Remove the lower and upper connecting brackets and fixing screws.

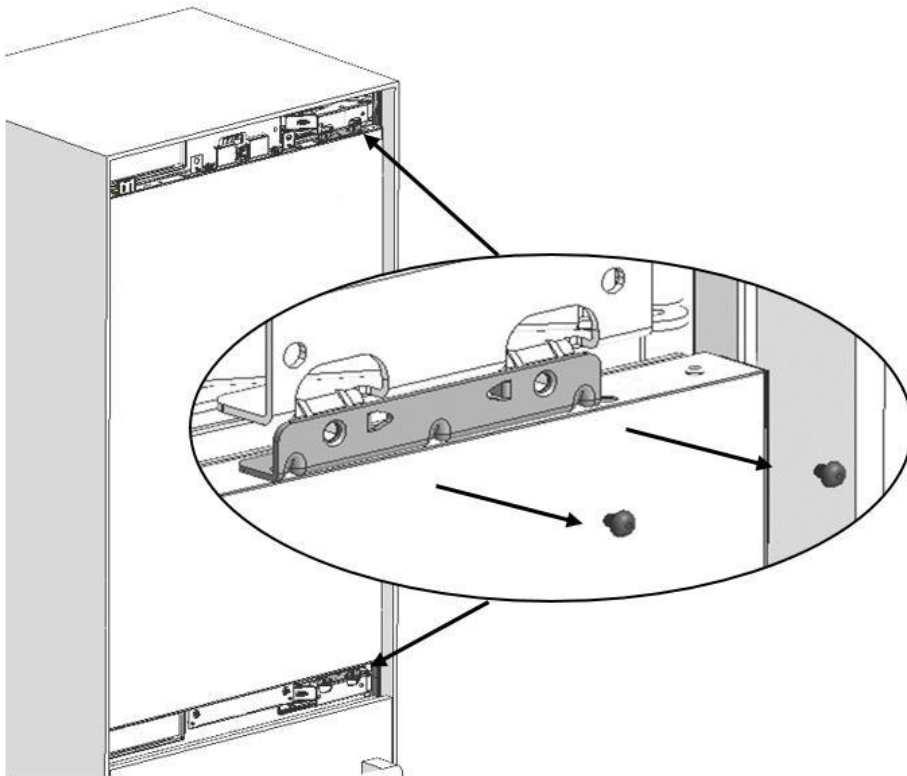
RBIV-36



INSTALLATION

REMOVING AND PREPARING THE INNER REFRIGERATOR DOOR

- Remove the four hinge connection screws of the hinge brackets as shown below.



WARNING

The refrigerator door assembly will be free once these screws are removed. It will be heavy; be sure to take measures to prevent the door from falling or causing any damage or injury.

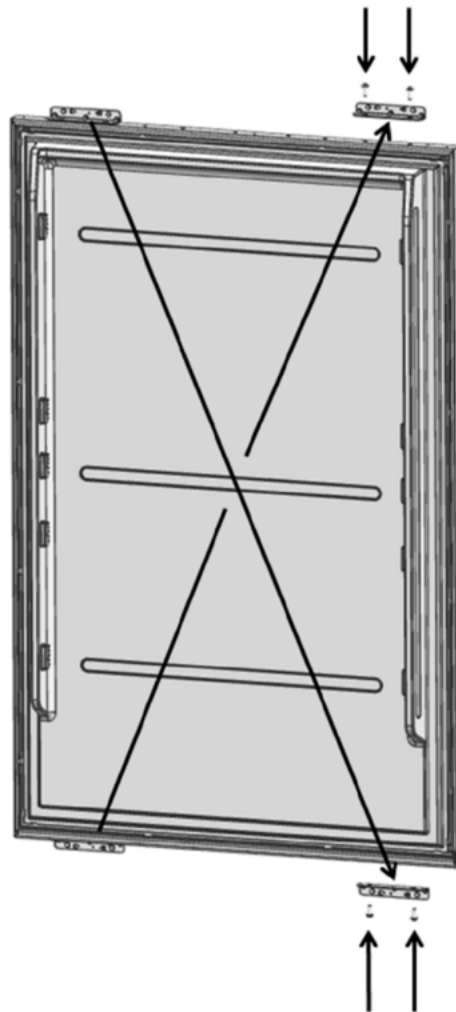
- You can tape the door panel to the inner door or ask for help from another person.
- Once the panel is removed, lay it down on a table upside down.
- You must attach the door panel by rotating it 180° based on its current position.

INSTALLATION

REVERSING THE DIRECTION OF THE REFRIGERATOR DOOR

NOTE: It's important to note that the two metal connection parts are not identical. When reversing the hinge from right to left, the connection parts must be installed on the opposite side of the door. The upper connection part must be installed on the bottom side, the bottom connection part must be installed on the upper side.

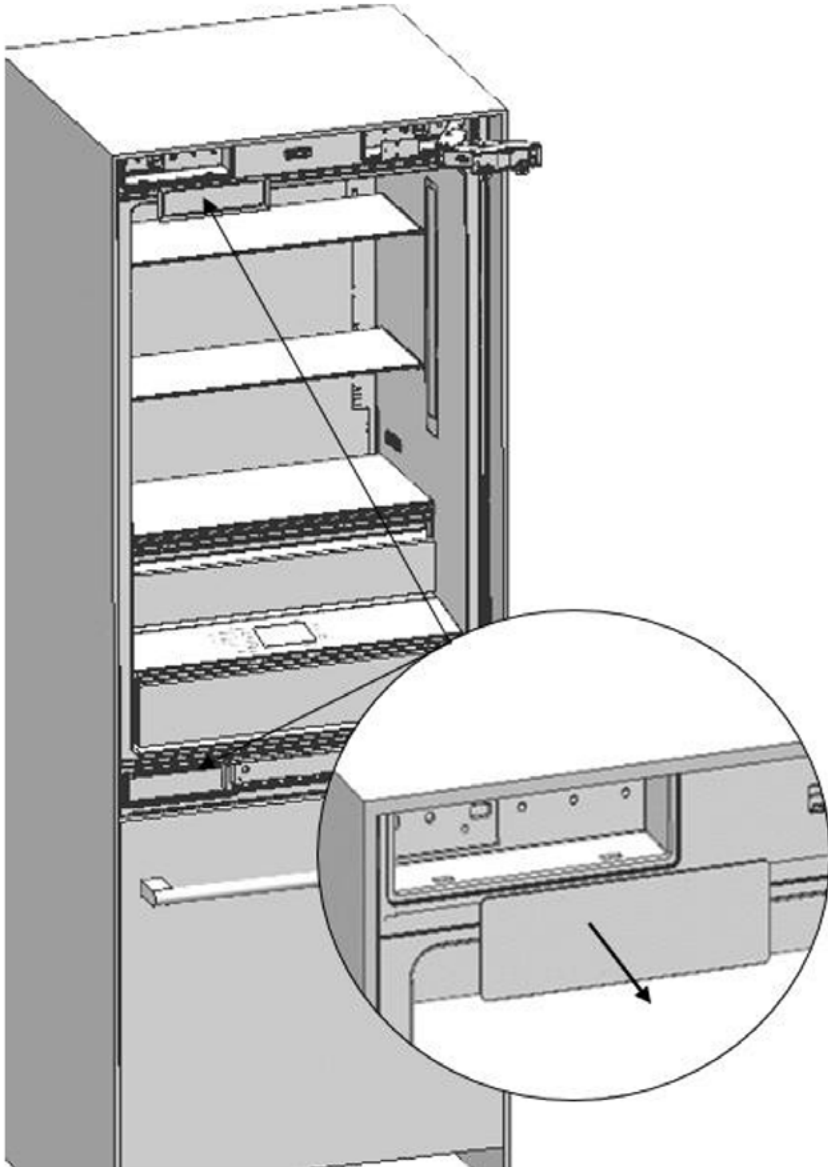
- Take out the door and lay it down on a table.
- Remove the fixing parts and screw them to the opposite side of the door as outlined below.
- Attach the hanger sheet using two screws.



INSTALLATION

REPLACING THE HINGES

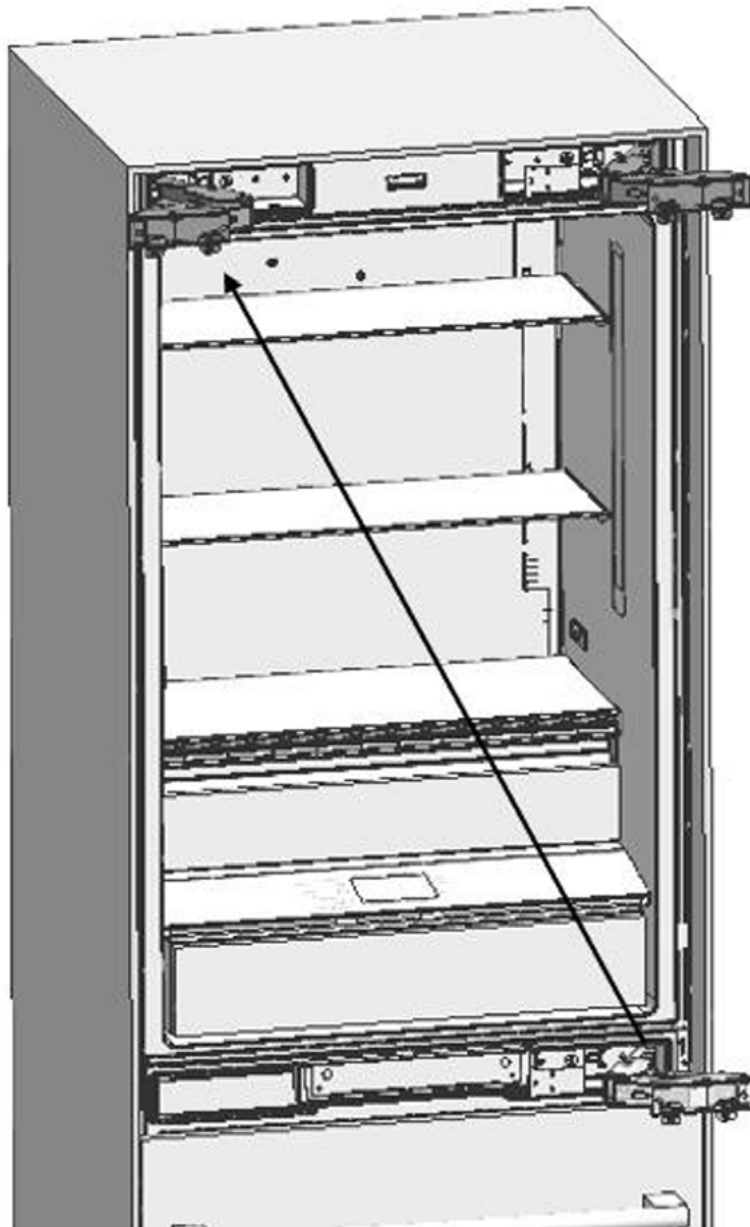
- Remove the hinge caps located at the other side where you will fix the hinges as outlined below.



INSTALLATION

REPLACING THE HINGES

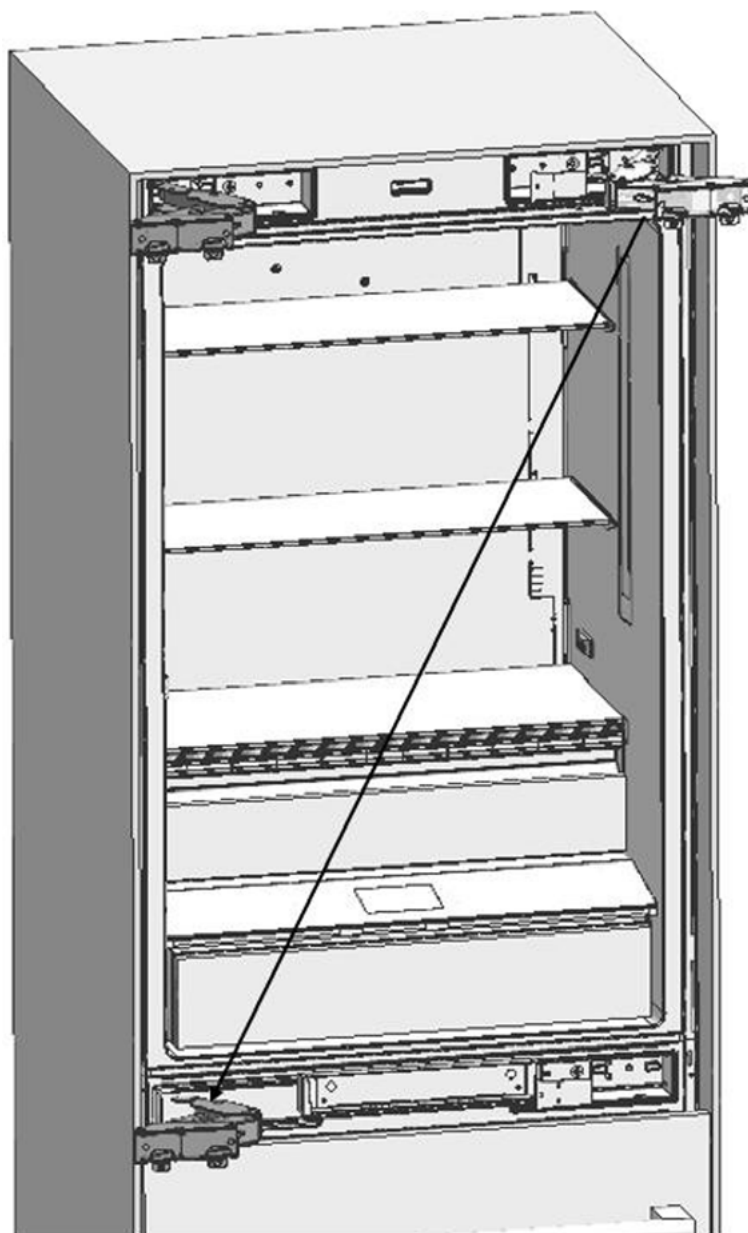
- Remove the lower right hinge by- loosening its two screws and fix it to its slot at the upper left side as outlined below.



INSTALLATION

REPLACING THE HINGES

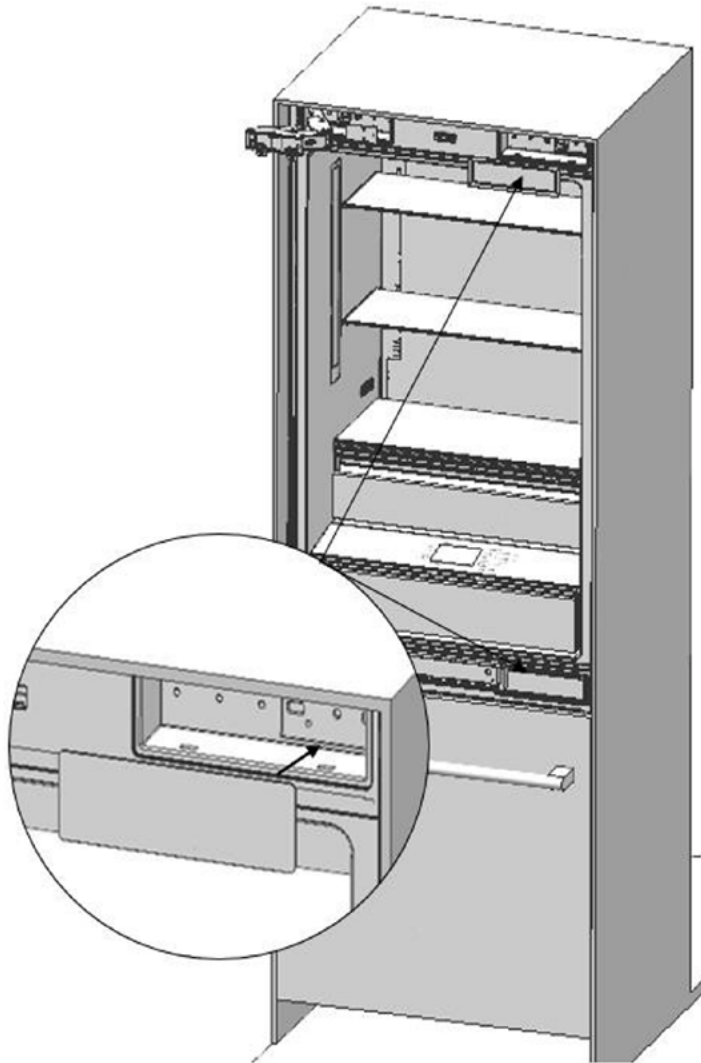
- Remove the upper right hinge by loosening its two screws and fix it to its slot at the lower left side as outlined below.



INSTALLATION

REPLACING THE HINGES

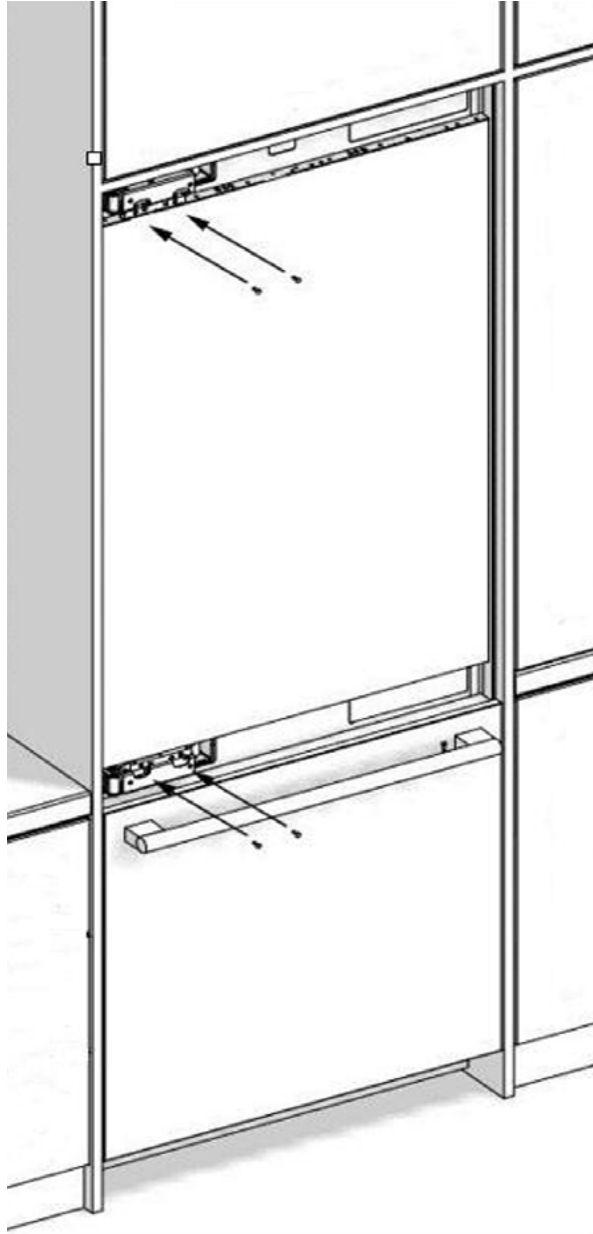
- Attach the hinge slot caps removed from the left side to the hinge caps at the right side as outlined below.



INSTALLATION

RE-INSTALLING THE REFRIGERATOR DOOR

- Place the refrigerator inner door to the unit and affix it with four screws removed on page 80 to achieve the new door swing layout as outlined below.



INSTALLATION

RBIV-60 DUAL CABIN INSTALLATION

- **IMPORTANT:** If you've purchased an RBIV-60 dual refrigerator, the installation process requires combining two RBIV-30 models to create one RBIV-60 unit.
- The RBIV-60 dual refrigerator is a panel-ready appliance designed to be a permanent fixture in your custom kitchen; therefore, precise cabinet cutouts and superior attention to detail are required for seamless integration.
- Please carefully review the instructions included in this Installation Manual, as well as the RBIV-60 Dual Built-In Refrigerator Installation Manual provided with your purchase, to install both units.



Scan the QR code to view the most up-to-date version of our RBIV-60 Dual Built-In Refrigeration Installation Manual.



WARRANTY

COVERAGE

ZLINE Kitchen and Bath built-in refrigerators have a two year parts and service warranty and a five year parts warranty on the sealed system. This is from the original purchase date for the original purchaser of the product.

TERMS

This warranty applies only to the original purchaser of the product installed for normal residential use. This is defined as a single-family, residential dwelling in a non-commercial setting.

Commercial settings include but are not limited to: schools, churches, hotels, restaurants, vacation rentals such as Airbnb, day care centers, private clubs, fire stations, common areas in multi-family dwellings, nursing homes, food service locations, and institutional food service locations such as hospitals or correction facilities. This warranty is non-transferable and will not be extended based on the date of installation. The warranty applies only to products installed in the contiguous United States and the District of Columbia.

Warranty shall not apply and ZLINE Kitchen and Bath is not responsible for damage resulting from negligence, improper maintenance, misuse, abuse, alteration of or tampering with the appliance, accident, natural disaster, improper electric supply, unauthorized service or repair, improper installation, or installation not in accordance with the instructions contained in the manual or the local government codes.

WHAT IS NOT COVERED

1. Start-up damages or problems caused by improper installation or use.
2. Damage related to unauthorized service or unauthorized parts.
3. Installation in any commercial or non-residential application.
4. Aesthetic damage, scratches, or natural wear caused by normal use.
5. Second-hand, open box products, or products purchased from an unauthorized retailer.

NOTE: In the event that service is dispatched, and it is discovered that the reported issue is not covered under warranty based on the disclaimers above, the customer will be responsible for all service fees. Failure to pay these fees will result in the forfeiture of remaining warranty coverage.

WARRANTY



RATING TAG LOCATION

The rating tag shows the model and serial number of your refrigerator. The product label and rating tag is located on the left-hand side of the inner door of the 30" refrigerator and on the left-hand side of the left-side door of the 36" model. The tag is visible when the refrigerator door is open. Do not remove permanently affixed labels, warnings, or plates from the product. This will void the warranty.



SERVICE

For warranty service, please contact our Customer Service team at 1-614-777-5004 or visit www.zlinekitchen.com/contact to utilize our online Customer Experience Portal.



Need to purchase a part or accessory for your ZLINE product? Visit www.zlineparts.com, ZLINE's official parts distribution partner.

3.1.1

1-614-777-5004

www.zlinekitchen.com

contact@zlinekitchen.com

ZLINE
ATTAINABLE LUXURY®