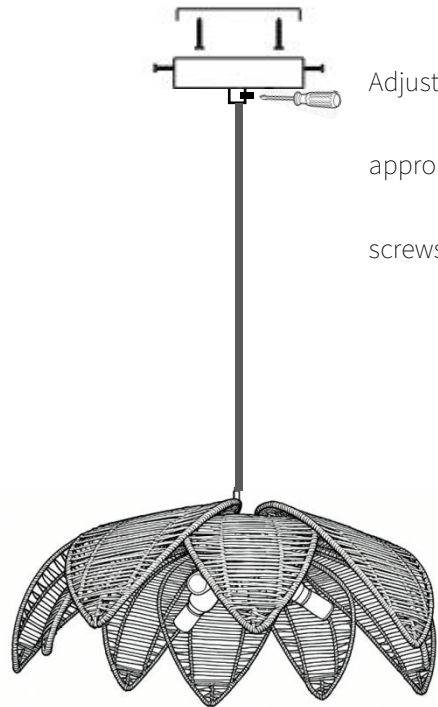
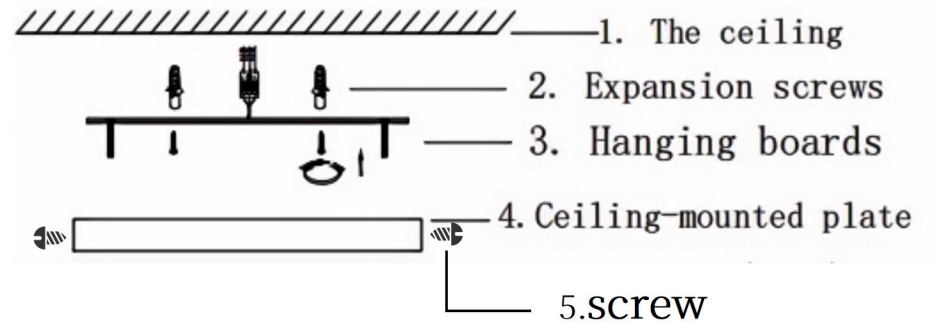


Installation Diagram



Adjust the suspension line to the appropriate length and tighten the screws.



Requires connection to 110V.

1. There are 10 installation holes branches on the lamp body.
2. First, install 5 small blades: Place the small blades below the installation holes and tighten the screws, leaving the next installation hole empty. Then, repeat this alternating process until all the small blades are installed.
3. Next, insert 5 large blades into the 5 previously empty installation holes above and tighten the screws.
4. Install the large blades above the small blades and secure them firmly.

