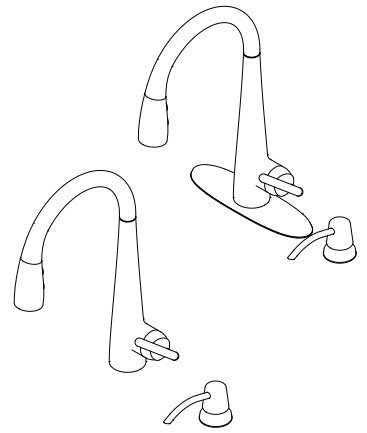


### Pull Down Kitchen Faucet

- GT529-SMB Finish(B)
- GT529-SMC Finish(C)
- GT529-SMD Finish(D)
- GT529-SMS Finish(S)



- Lever Handle
- 1, 2, 3 or 4-Hole Installation
- Pforever Seal

## Specifications

### Features

- 1.8 GPM Flow Rate
- Convert to LEED Requirements with Separate Insert: Low Flow Regulator 941-786: 1.5 GPM
- 1, 2, 3, or 4-Hole Installation; Deck Plate or Single Hole Mounting Option
- 3 Function Pull-Down Sprayer
- Soap/Lotion Dispenser Optional
- Self Cleaning Spray Head
- Pforever Seal Ceramic Disc Valves
- Pforever Warranty®

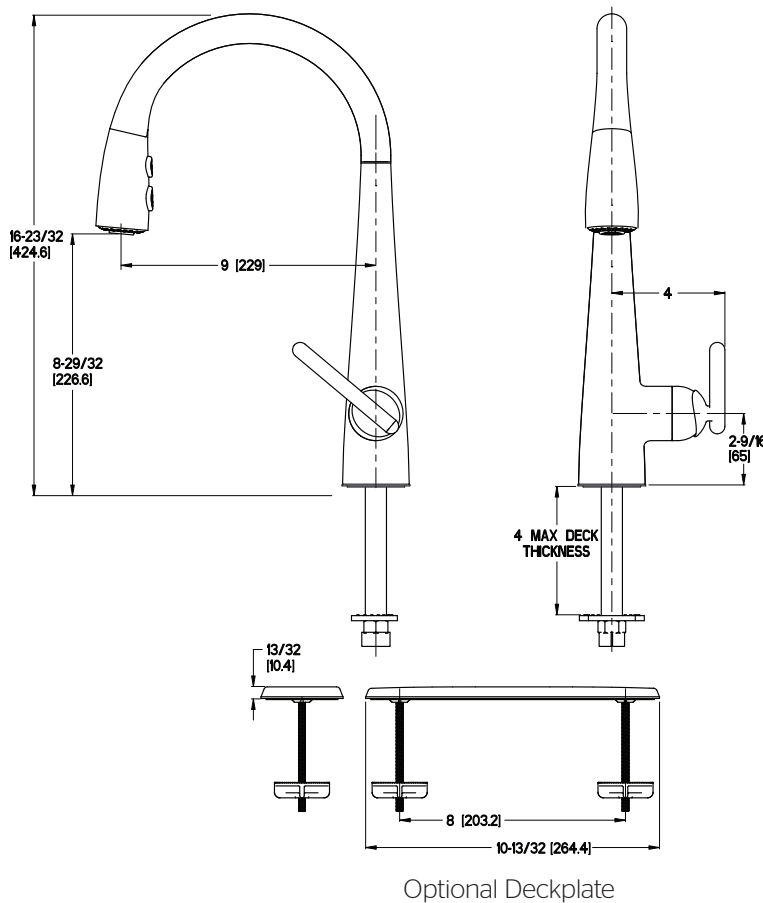
### Code Compliance

Pfister products are designed and manufactured in compliance with the following standards and codes:

- IAPMO Certified
- CSA B125 Certified
- ASME A112.18.1
- NSF 61/9 Annex G (Low lead)
- Cal Green Compliant
- ADA Compliant-ANSI A117.1 (Lever handles only)

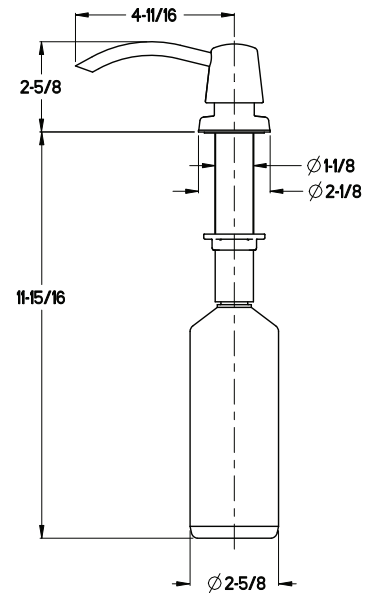


## Dimensions



Ø1-3/8 Min to Ø1-1/2 Max. Deck Hole Openings

### Top Filling Soap Dispenser



36 Inch Supply Lines with 3/8 Female Compression Brass Connections

