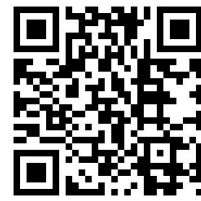
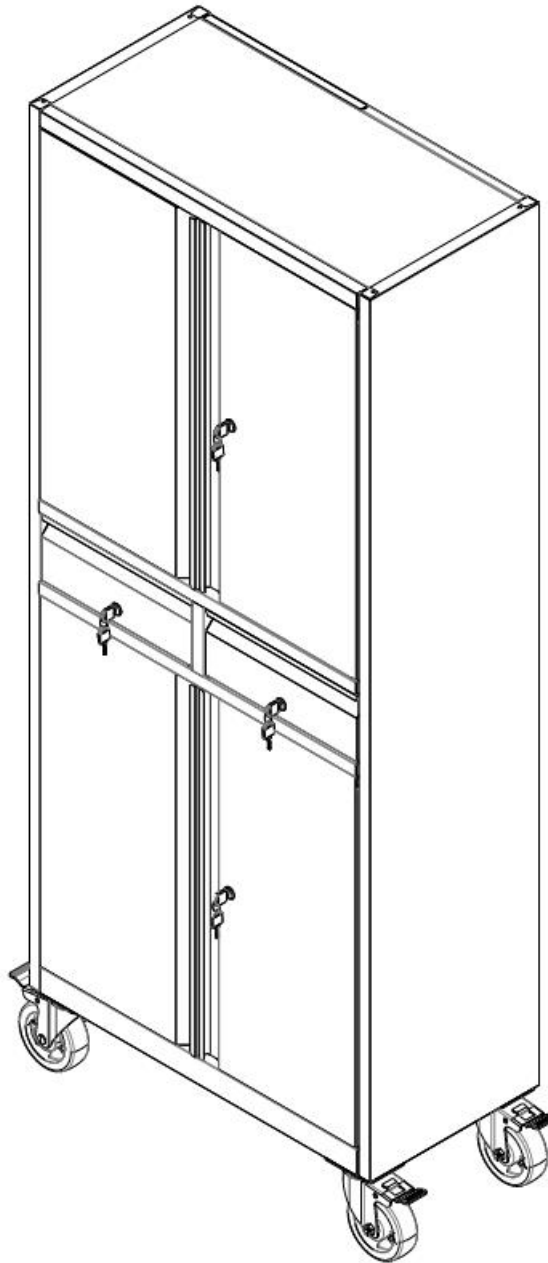


Cabinet

Product ID: QUFAG




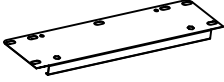



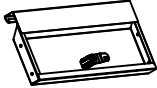





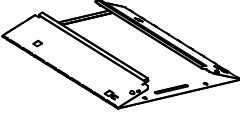

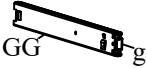

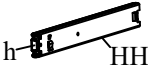



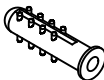


Scan for Support









Distributed by
GARVEE.com

support@garvee.com

PARTS LIST

Name		Part	Qty.	Spare	Name		Part	Qty.	Spare
A	Left Back Panel		1		P	Wheel Fixing Structure		2	
B	Right Back Panel		1		Q	Middle Panel		1	
C	Left Panel		1		R	Drawer Front		2	
D	Right Panel		1		X	Drawer Front Panel		2	
E	Kick Plate		1		Y	Drawer Back Panel		2	
F	Bottom Panel		2		Z	Drawer Side And Bottom		2	
G	Top Rail		1		GG/g	Left Extension Rail		2	
H	Top Panel		1		HH/h	Right Extension Rail		2	
I	Shelves		2		L	1-3/16" Wall		2	
J	Right Door		2		M	Wall Anchor		2	
K	Left Door		2		N	13/32" Screw		29	2

O	Shelf Clasp		8		S	Door Pivot		4	
V	6*15 Flat Head Bolt		18	2	T	Shim		8	
W	Wheel		4		U	Touch The Doormat		8	



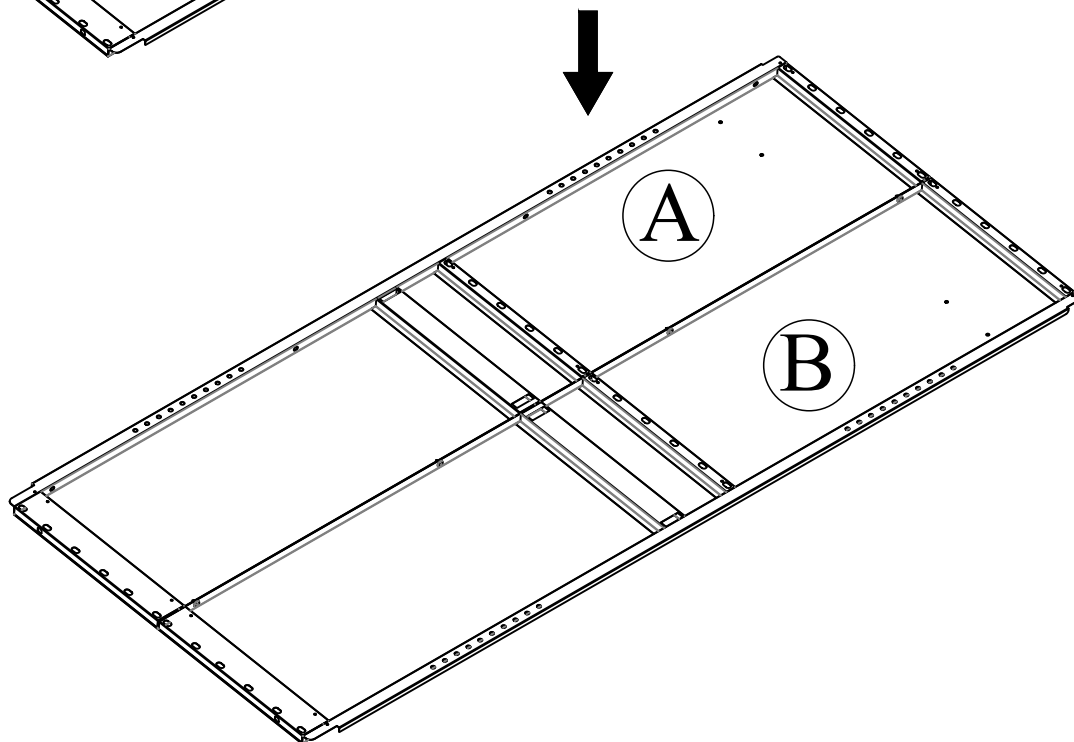
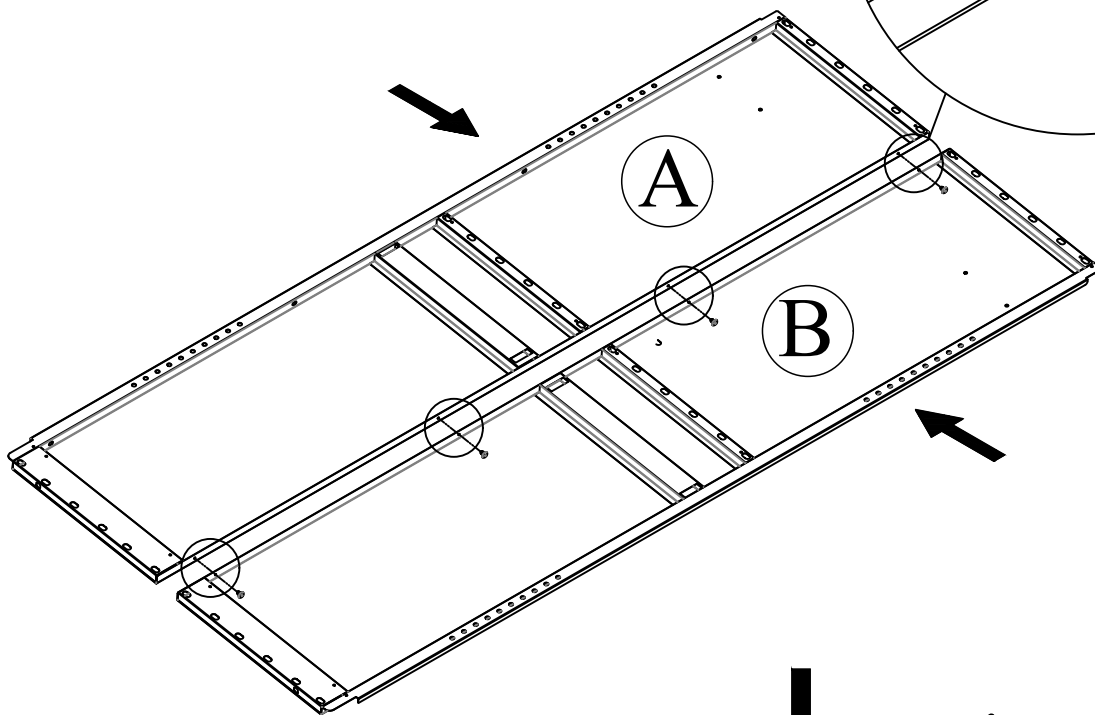
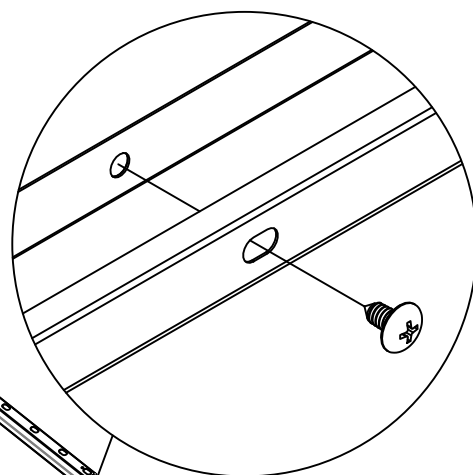
CAUTION

An assistant is required.

Step 1

Ⓝ  x 4

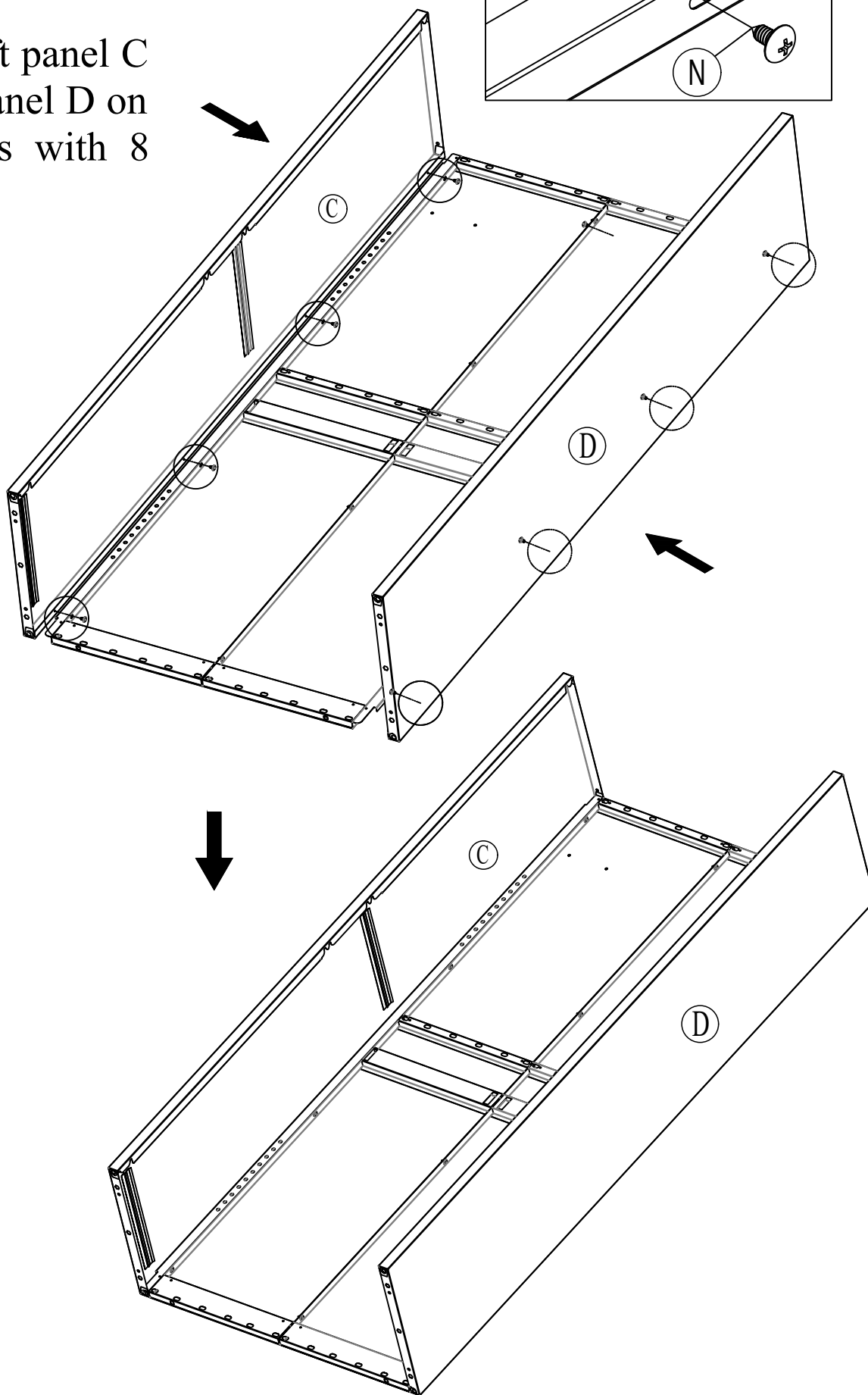
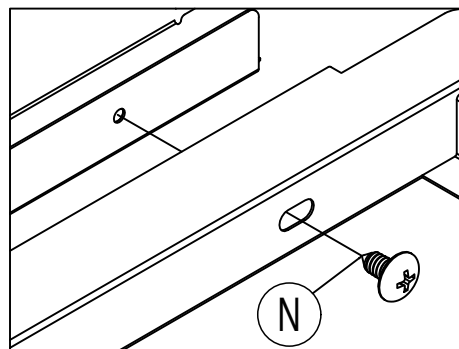
Connect left back panel A
and right back panel B with
4 screw N



Step 2

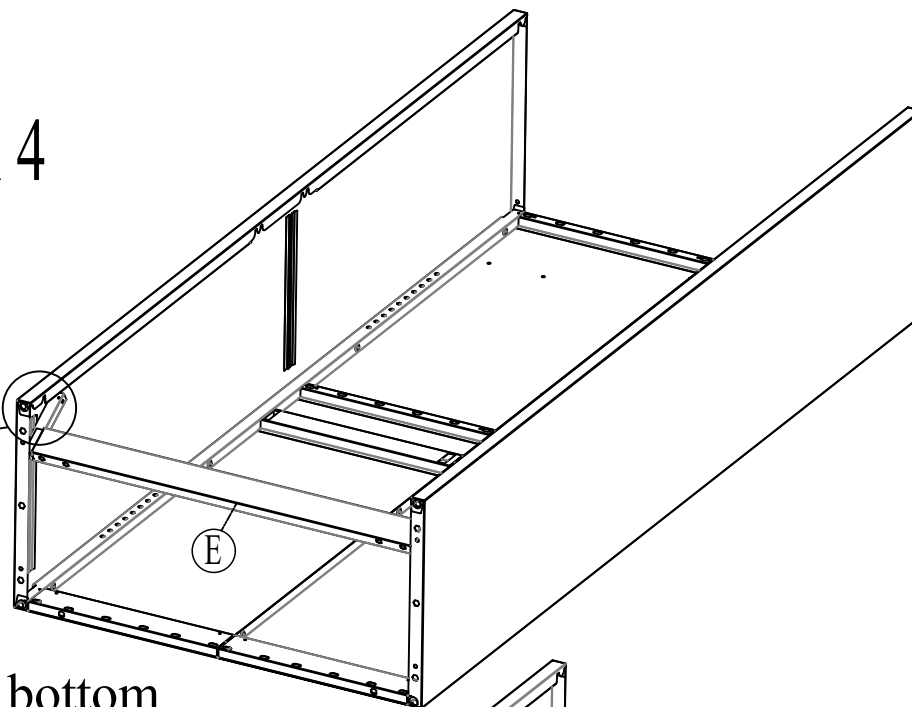
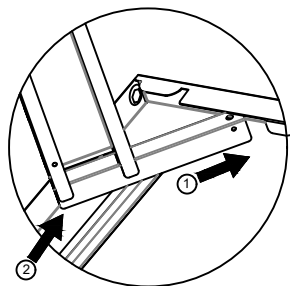
Ⓝ x 8

Connect left panel C and right panel D on back panels with 8 screw N

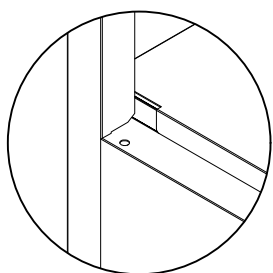


Step 3

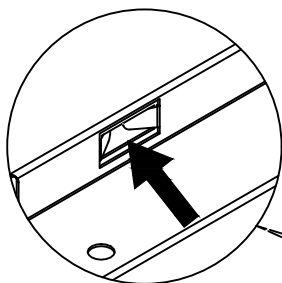
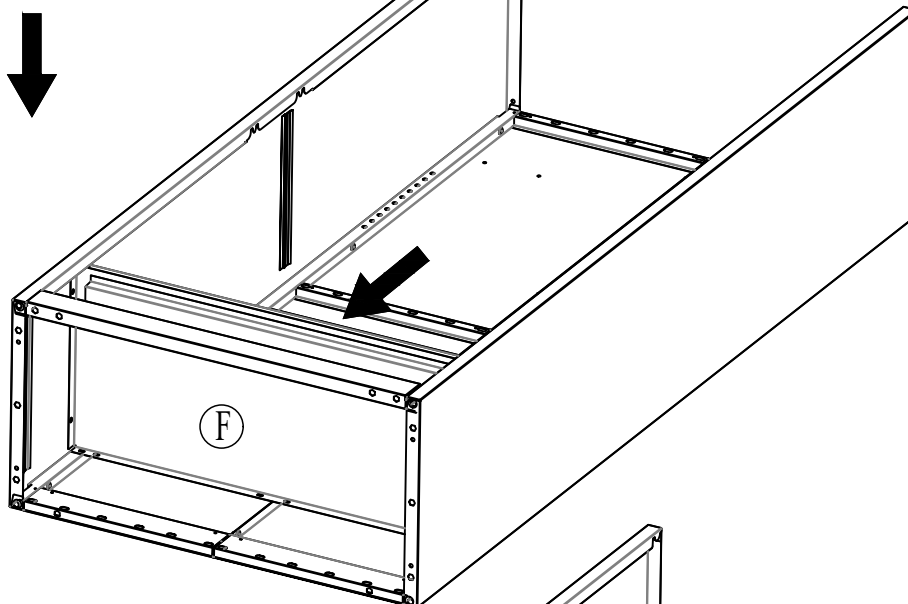
Ⓝ x 4



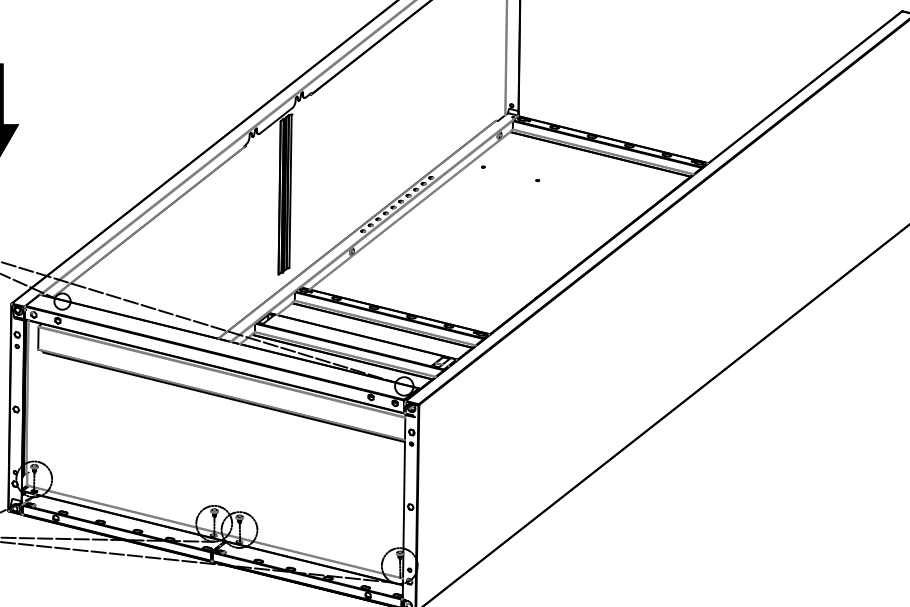
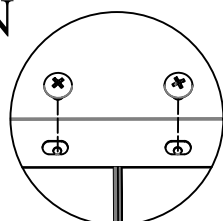
Insert E on the bottom



Install bottom panel F (E and F should be connected by the small clasps in front)

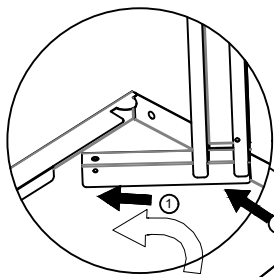


Fasten them with 4 screw N

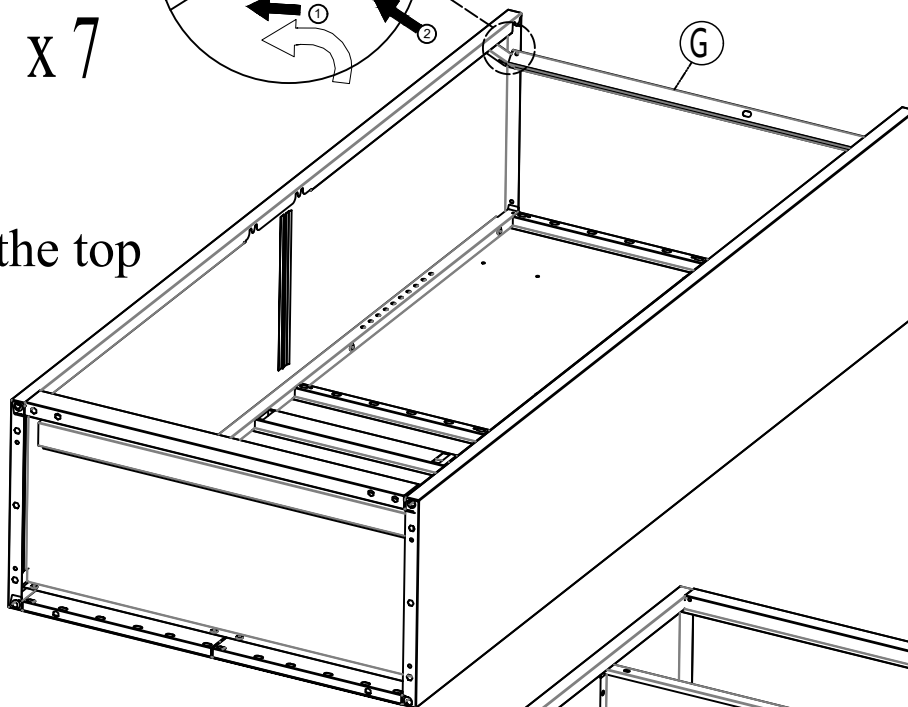


Step 4

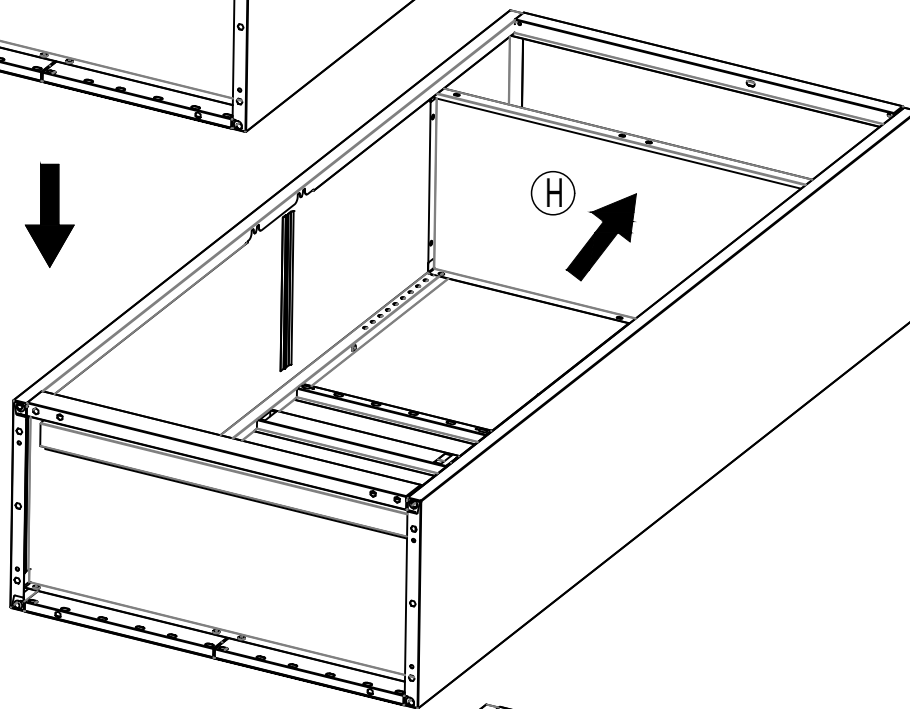
Ⓝ x 7



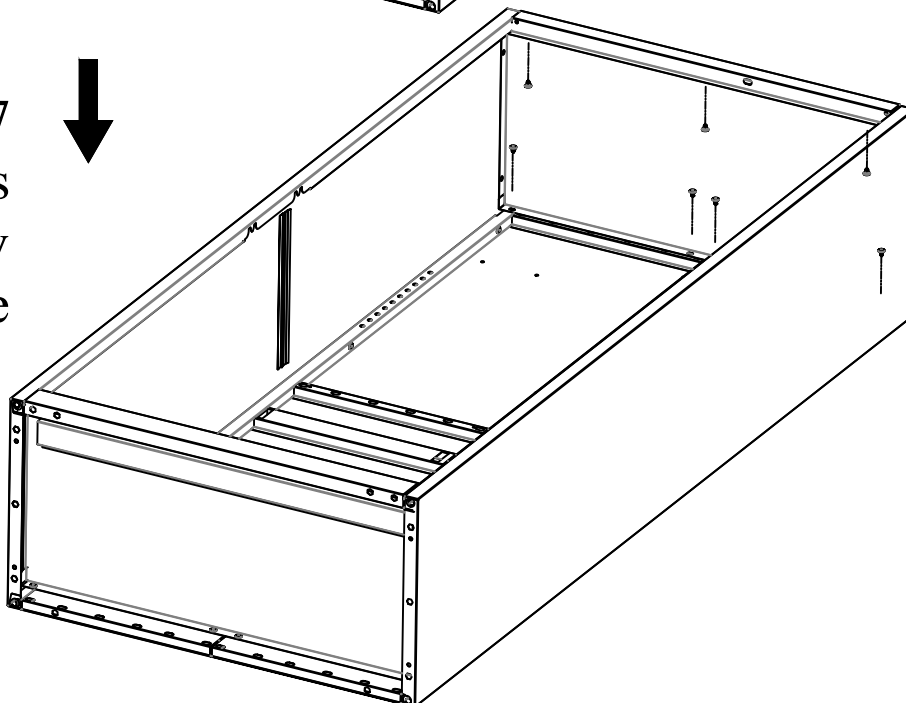
Insert G on the top



Install top panel H



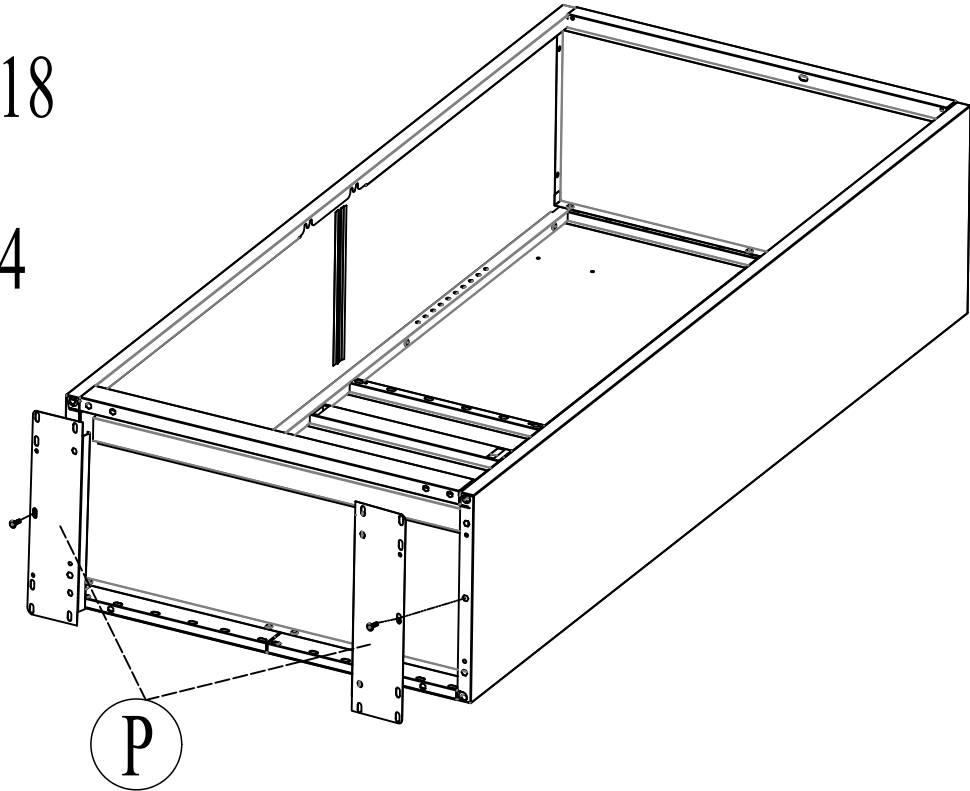
Fasten them with 7 screw N (The screws can be fixed easily when you put a side panel on the floor)



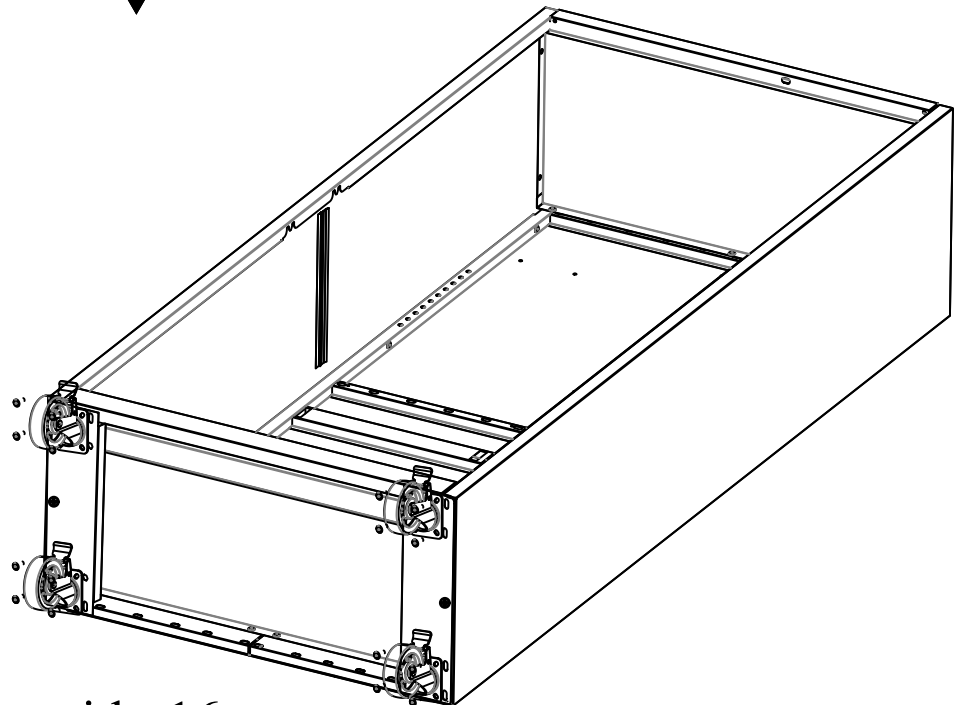
Step 5

Ⓥ  x 18

Ⓦ  x 4



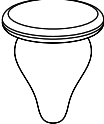
Install 2 P on the
bottom with 2 screw
Ⓥ

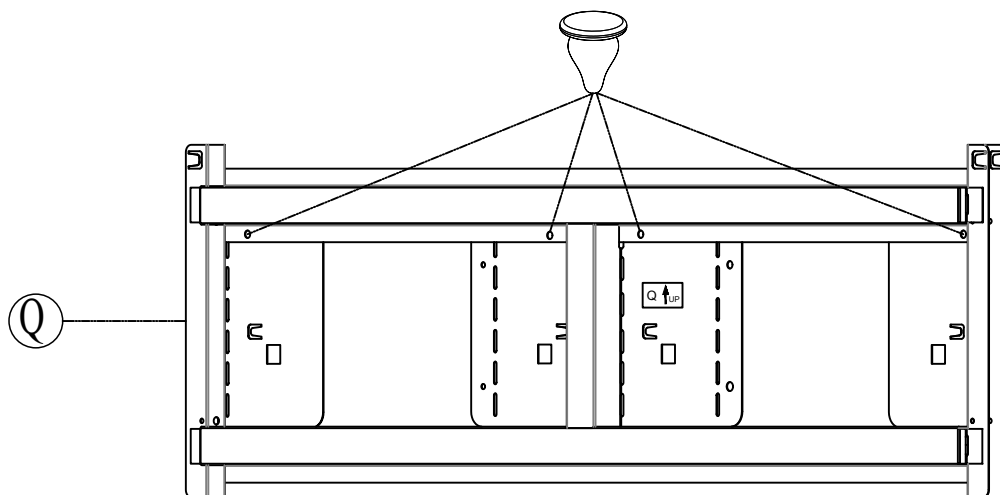


Install 4 wheels with 16
screw Ⓥ

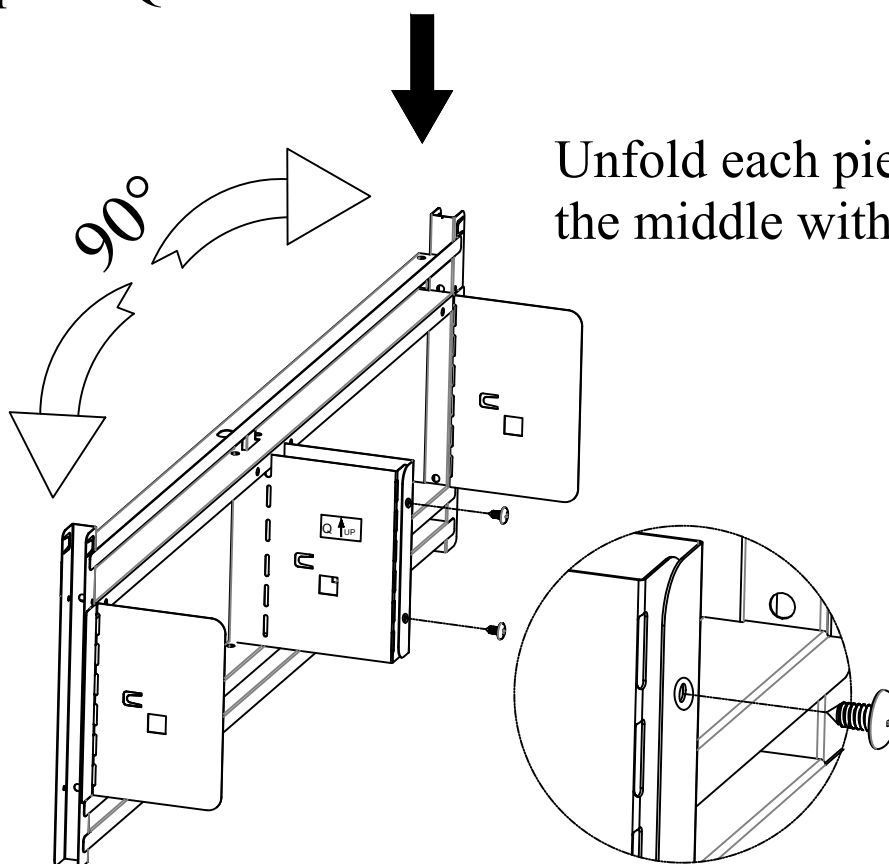
Step 6

Ⓝ  x 2

Ⓤ  x 4



Install 4 U on the middle panel Q

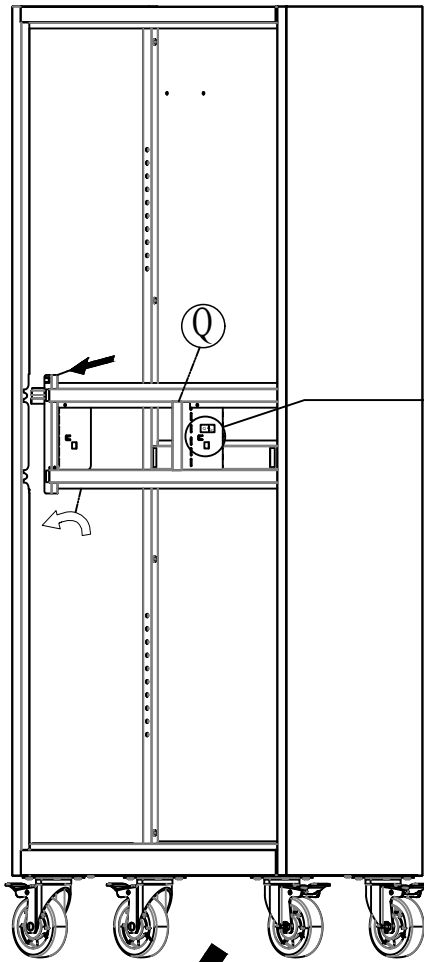


Unfold each piece and connect the middle with 2 screw N

Step 7

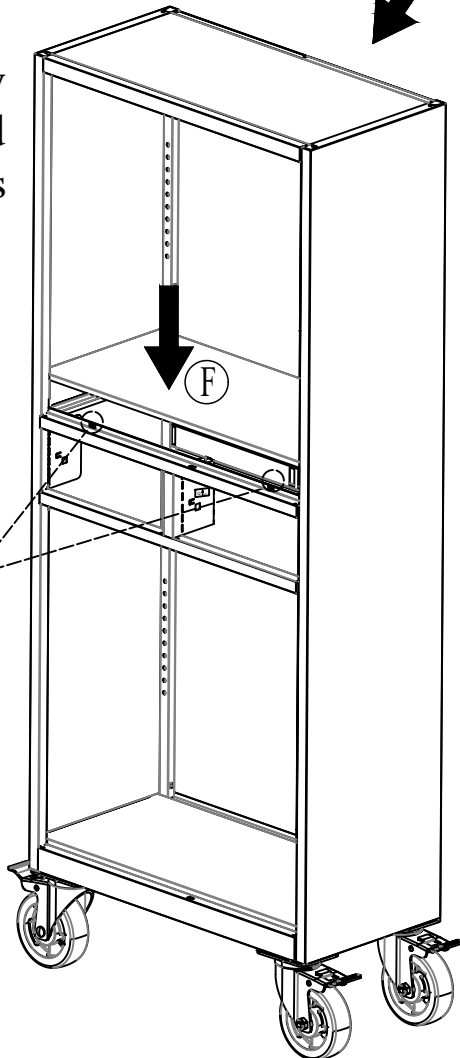
Ⓝ x 4

Insert Q on the middle of the cabinet

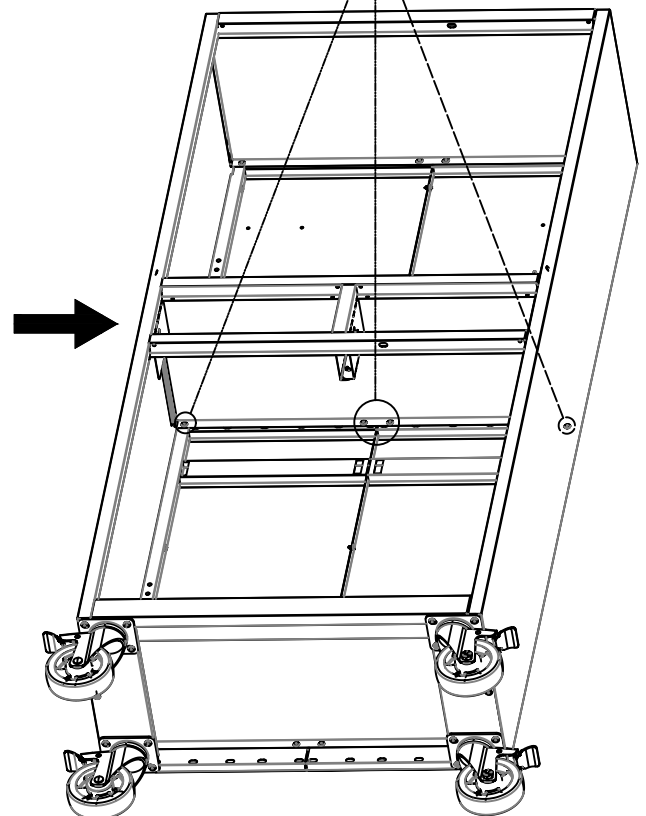


Pay attention to the direction

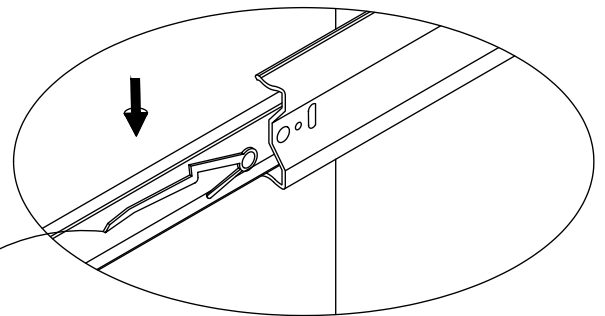
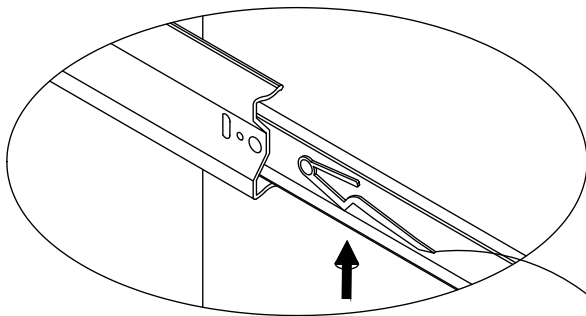
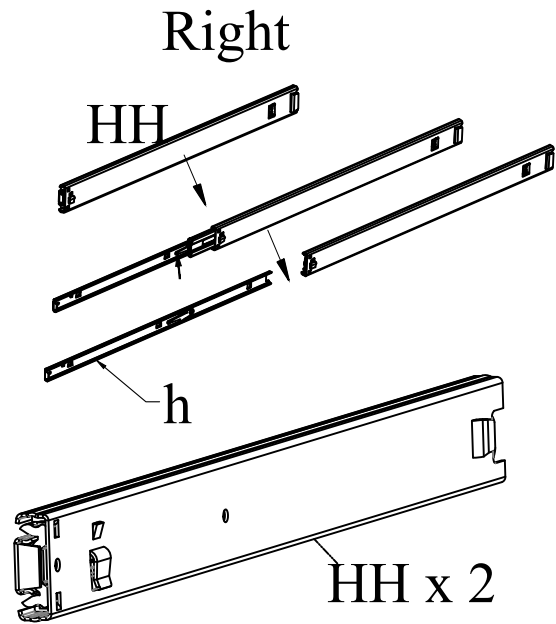
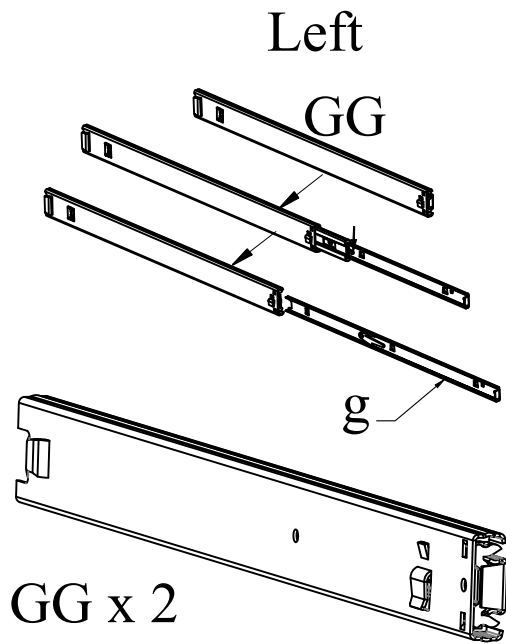
Put F on Q and they should be connected by the small clasps in front



Fasten them with 4 screw N



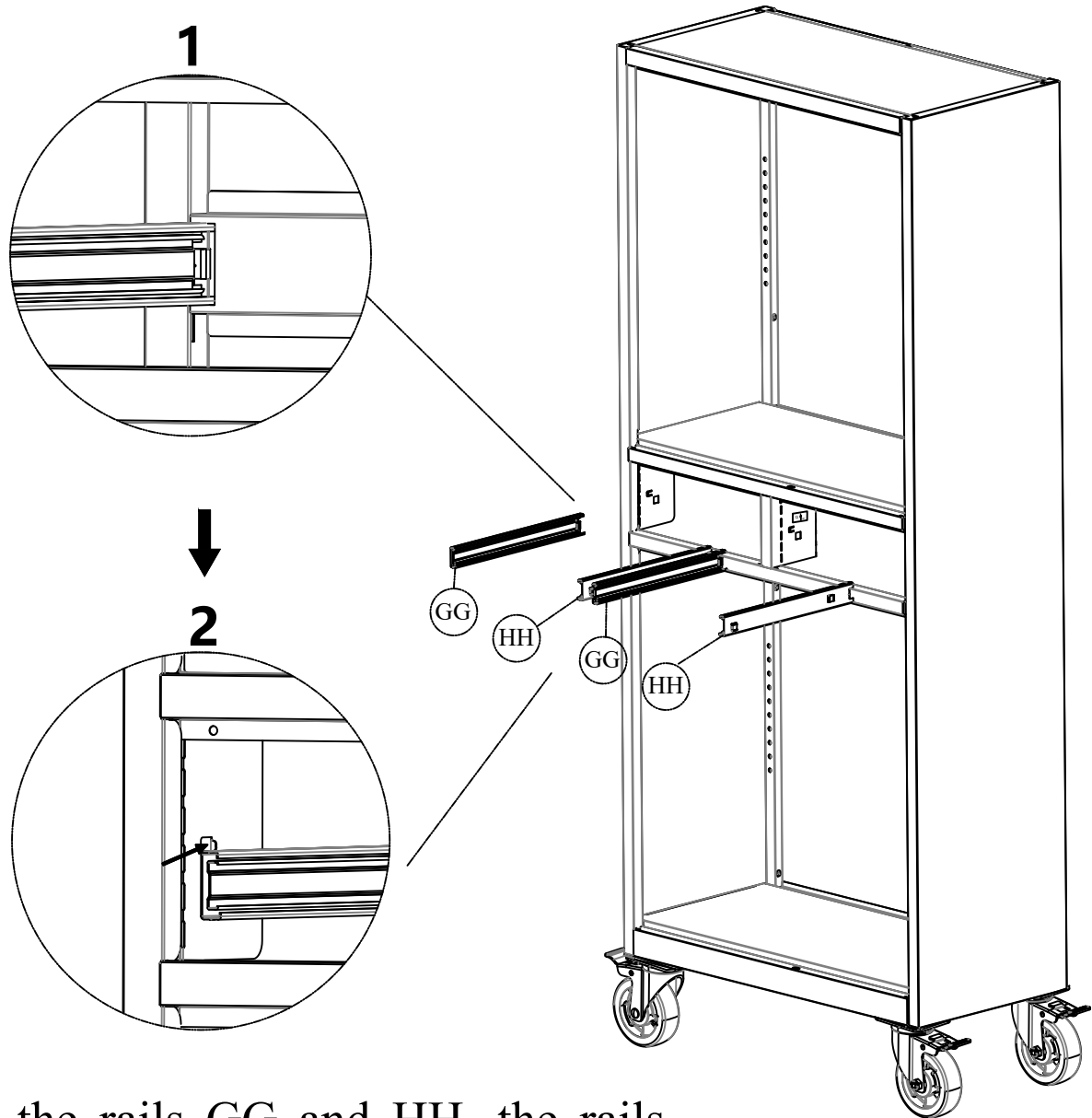
Step 8



Disconnect Levers

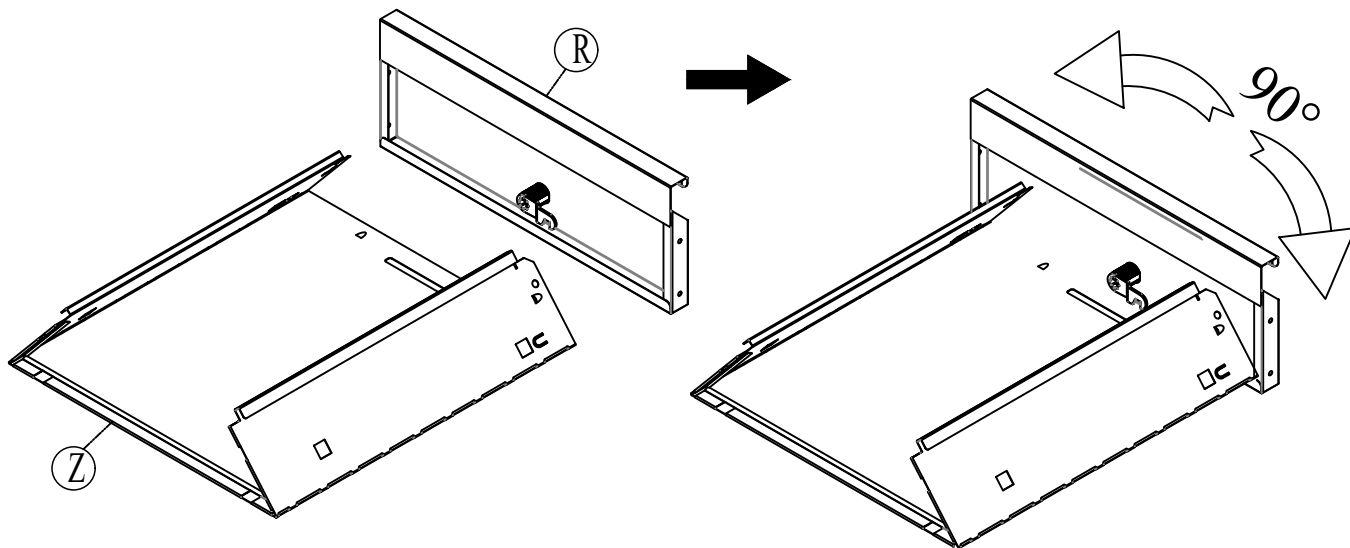
Press the clips and pull out the slide rails,
take out g and h from GG and HH

Step 9

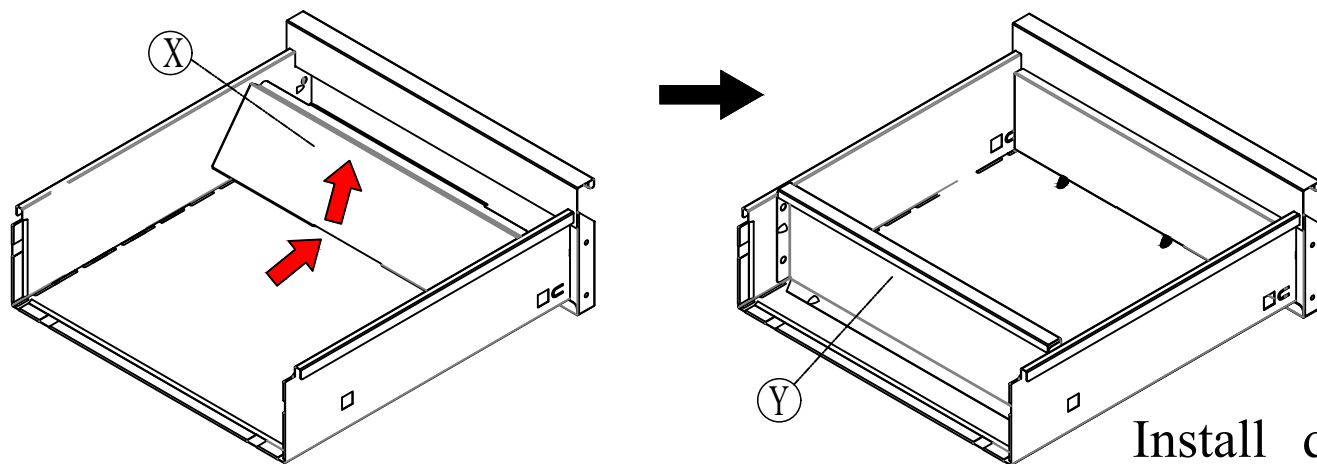


Install the rails GG and HH, the rails and Q should be connected on the back, then unfold the clips in the middle of Q

Step 10

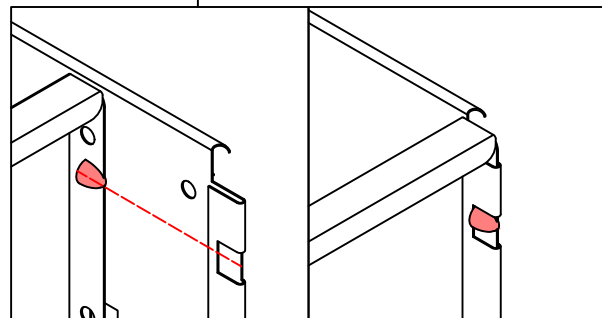
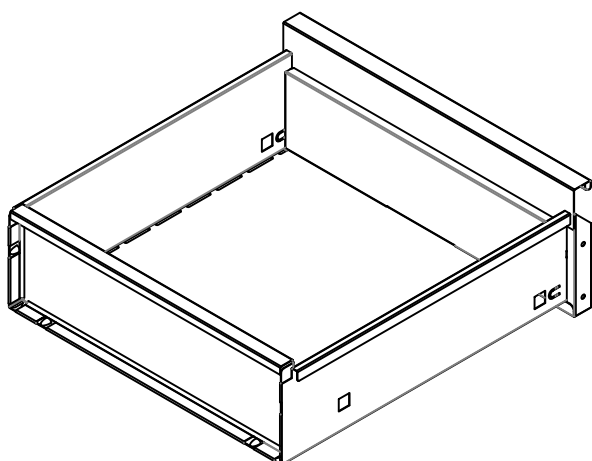


Install Z on R and unfold Z

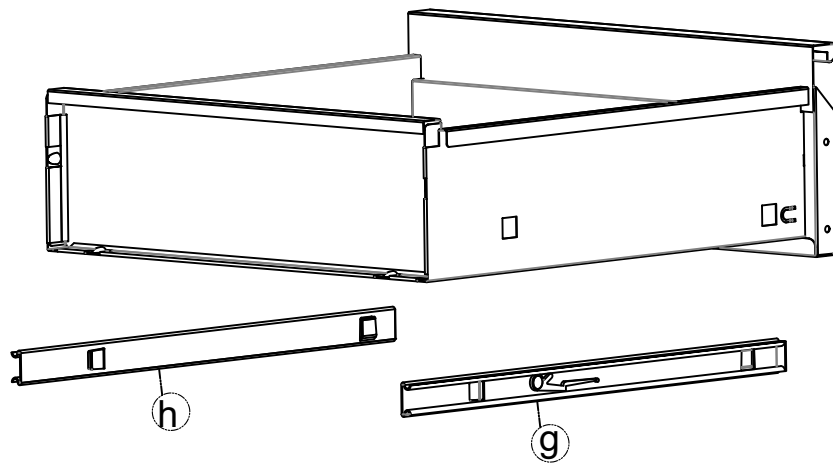


Install X on Z and R

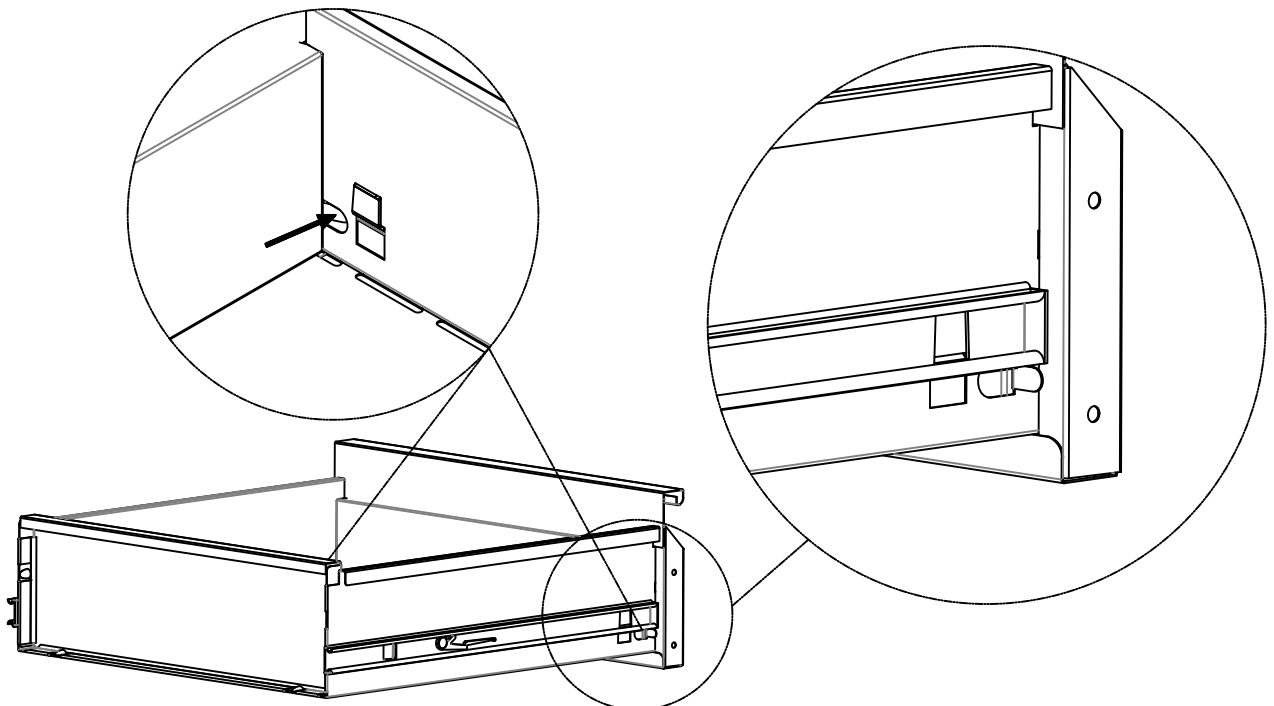
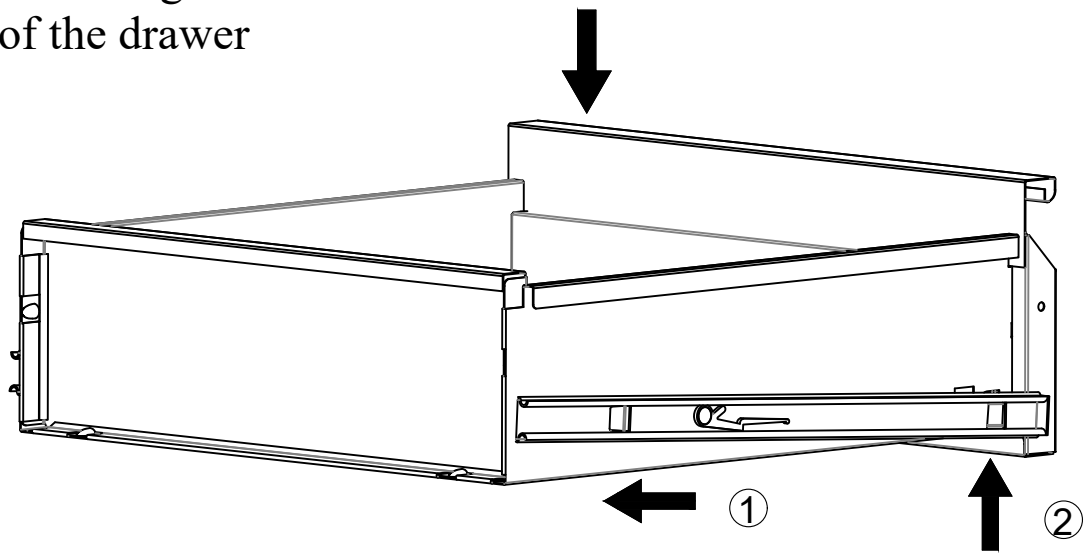
Install drawer back panel Y



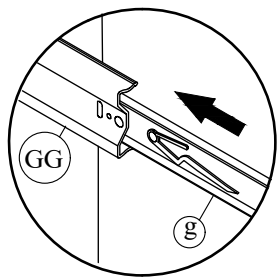
Step 11



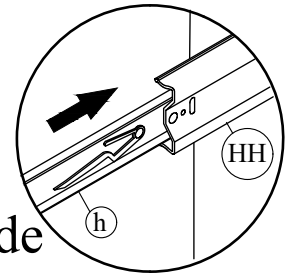
Install h and g on both sides of the drawer



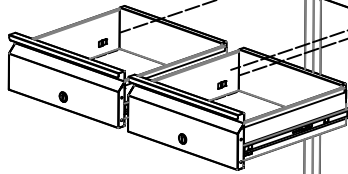
Step 12



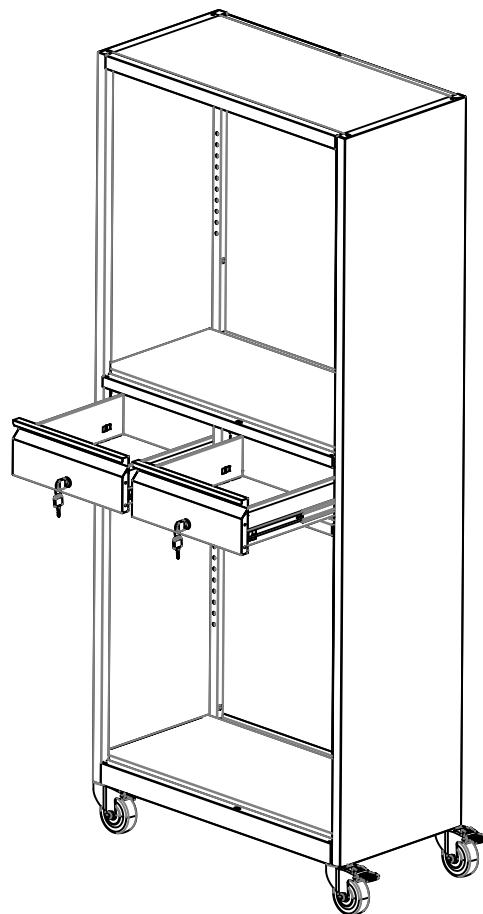
Left Side



Right Side

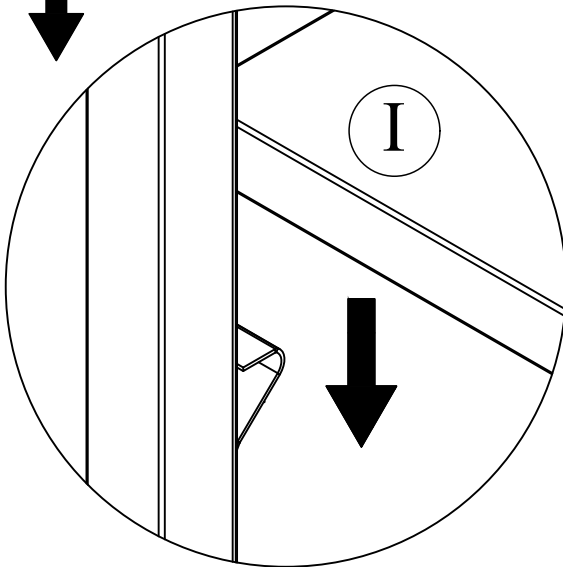
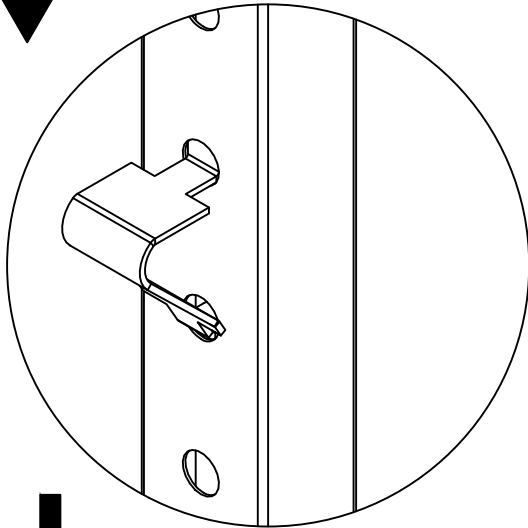
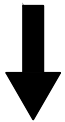
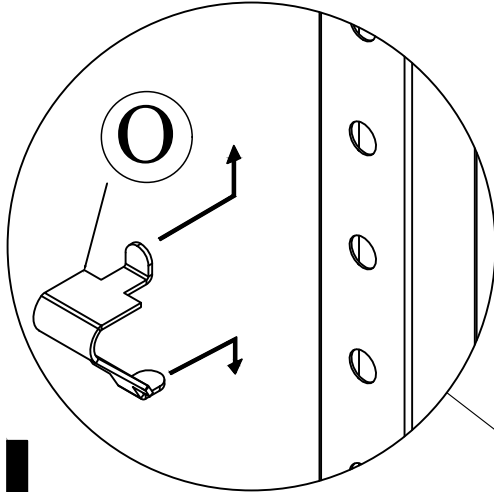


Install GG and
g, HH and h

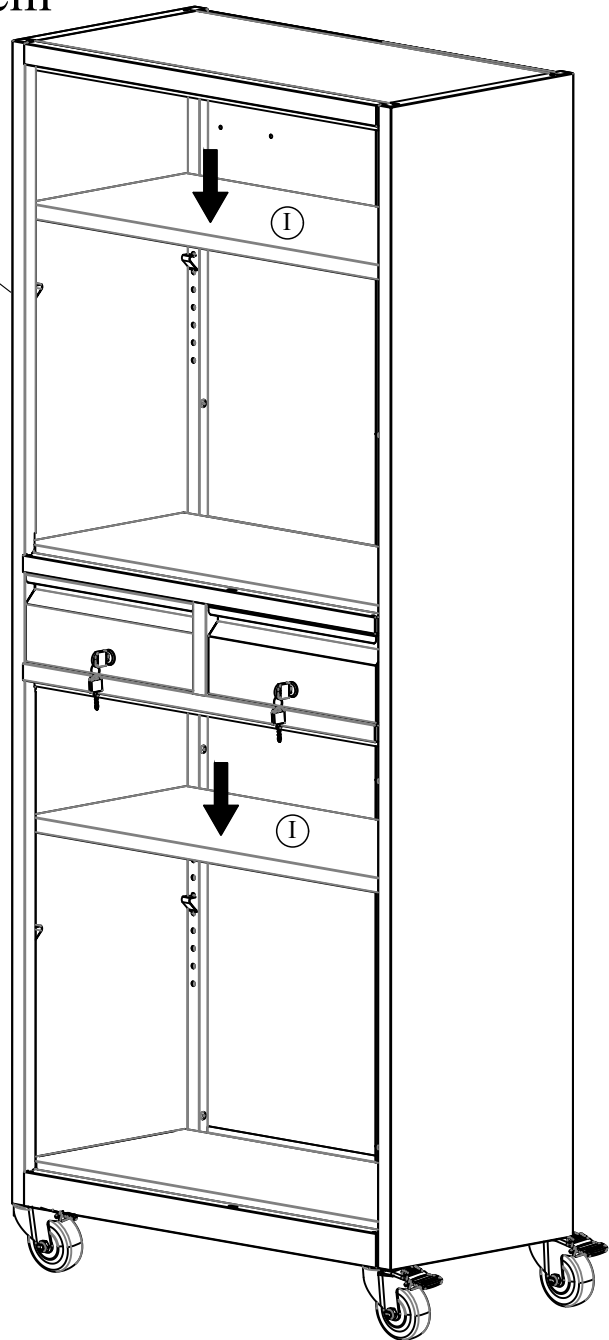


Step 13

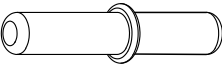
⊙  x 8

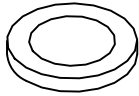


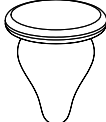
Install shelf clasps at the same level and put the shelves I on them

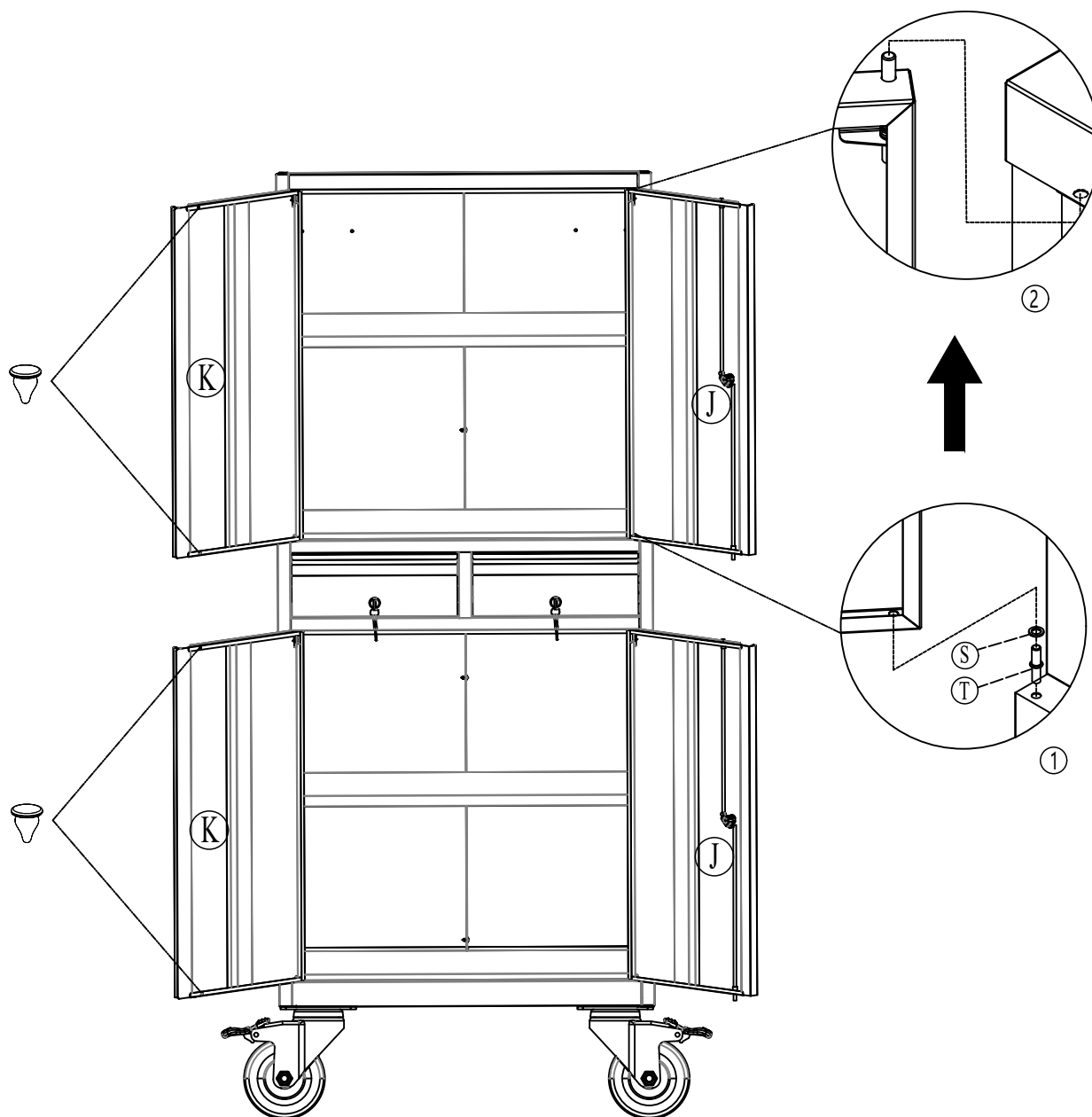


Step 14

Ⓢ  x 4

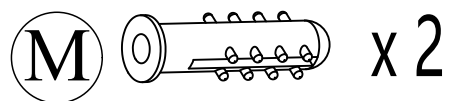
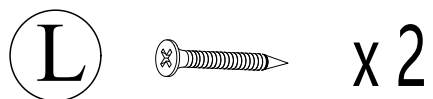
Ⓣ  x 8

Ⓤ  x 4



Insert S and T to each bottom corner of the doors, then install doors K and J
(T can be used to adjust, you can use 0 or 1 or 2 of them)

Step 15



Fix the cabinet on the wall
with 2 screw M and 2 screw L

