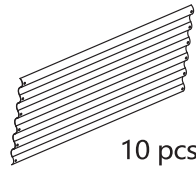


PACKING LIST

A1

Long Side Panel



10 pcs

A2

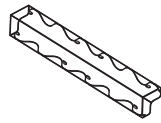
Short End Panel (logo)



2 pcs

B

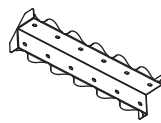
Outer Corner Bracket



5 pcs

C

Inner Corner Bracket



1 pcs

D


M6x 16mm Dacromet screws



88 pcs

E

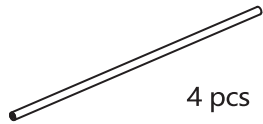
M6 Dacromet Wingnuts



80 pcs

F

Bracing Rod



4 pcs

Color your Gardenlife

Anleolife provides different shapes, different lengths & heights, different colors, you can do more with your great imagination.

	ANG001	ANG002	ANG003	ANG004
Shape	Oval	Oval	Oval	Oval
Dimension	72"x36"x24"H	72"x36"x24"H	96"x48"x24"H	96"x48"x24"H
Color	Quartz Grey	Antique White	Quartz Grey	Antique White
Package	1 Pack	1 Pack	1 Pack	1 Pack

	ANG005	ANG006	ANG007	ANG008
Shape	Round	Round	Retangular	Retangular
Dimension	48"x48"x18"H	48"x48"x18"H	96"x48"x18"H	96"x48"x18"H
Color	Quartz Grey	Antique White	Quartz Grey	Antique White
Package	2 Pack	2 Pack	1 Pack	1 Pack

	ANG009	ANG010	ANG011	ANG012
Shape	Retangular	Oval	Oval	Oval
Dimension	72"x36"x18"H	72"x24"x18"H	96"x48"x18"H	144"x36"x18"H
Color	Quartz Grey	Quartz Grey	Quartz Grey	Quartz Grey
Package	1 Pack	1 Pack	1 Pack	1 Pack

	ANG013	ANG014	ANG015	ANG016
Shape	Oval	Hexagonal	Hexagonal	U-Shape
Dimension	144"x36"x18"H	70"x60"x18"H	70"x60"x18"H	74"x74"x18"H
Color	Antique White	Quartz Grey	Antique White	Quartz Grey
Package	1 Pack	1 Pack	1 Pack	1 Pack

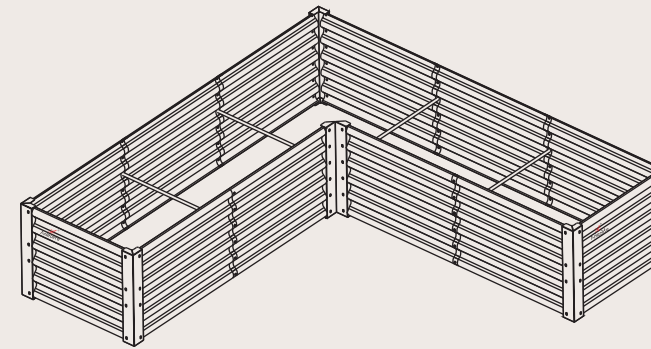
	ANG017	ANG018	ANG019	ANG020
Shape	U-Shape	L-Shape	L-Shape	Heart-Shape
Dimension	74"x74"x18"H	74"x74"x18"H	74"x74"x18"H	81"x81"x18"H
Color	Antique White	Quartz Grey	Antique White	Quartz Grey
Package	1 Pack	1 Pack	1 Pack	1 Pack

	ANG021	ANG022	ANG023	ANG024
Shape	Heart-Shape	Elevated Bed	Elevated Bed	Round
Dimension	81"x81"x18"H	48"x24"x35"H	48"x24"x35"H	35"x35"x24"H
Color	Antique White	Quartz Grey	Antique White	Quartz Grey
Package	1 Pack	1 Pack	1 Pack	2 Pack



Enjoy Your Garden Time

Anleolife



INSTRUCTION MANUAL

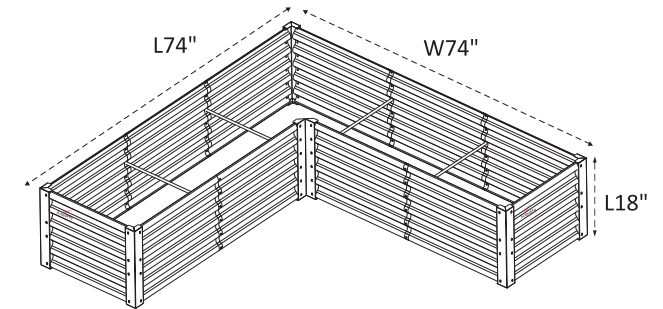
Galvanized Raised Garden Bed

ANG018 / ANG019

Rectangular Raised Garden Bed

Instructions for Assembly

Dimension L74" x W74" x H18"



DUE TO THE MANUFACTURING PROCESS BED SIZING MAY VARY +/-2"(50MM)

TOOLS PROVIDED



Screwdriver



A pair of gloves



1 PERSON ASSEMBLY



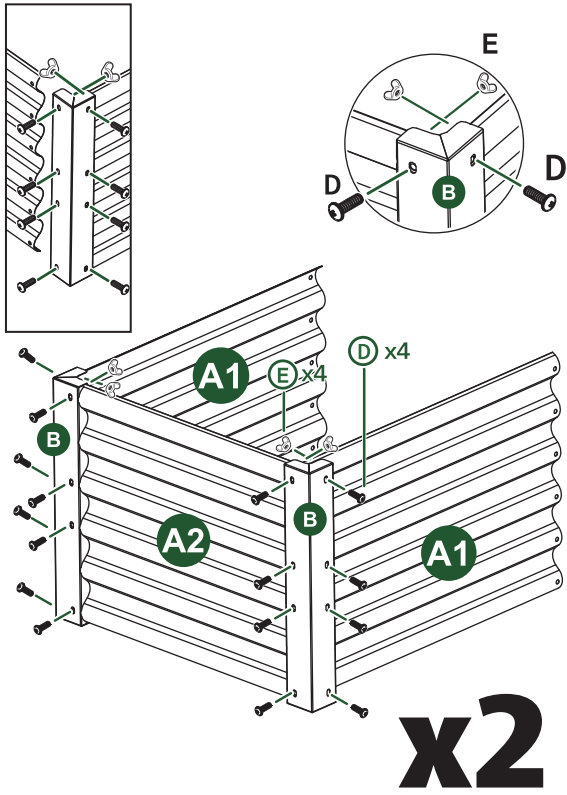
UP TO 45 MIN. ASSEMBLY

Tip: If possible, an electric drill could be recommended for shortening your installing time.

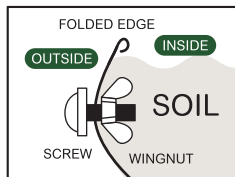
Color your Gardenlife

ASSEMBLY STEPS:

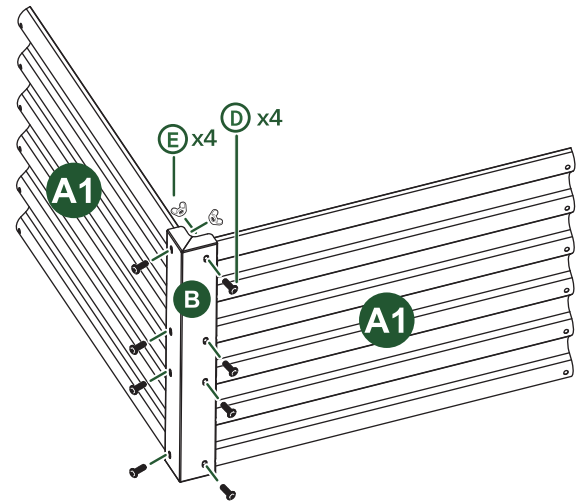
1 Attach two A1 long Side panles & one A2 short End panles (logo) to two B Outer corner brackets, secure them with D screws & E wingnuts. Repeat to assemble the other end, making them as two halves garden beds.



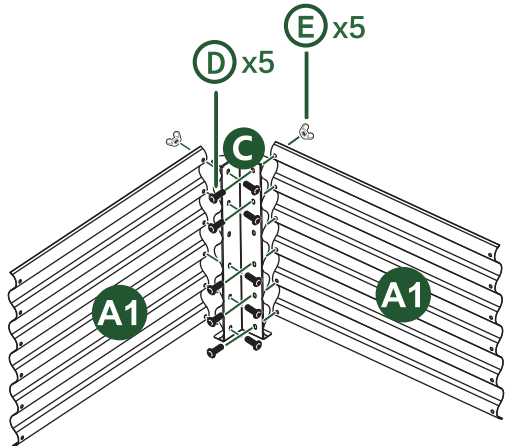
Make sure to keep the wingnuts inside and the screws outside, tighten them for reinforcement. Failure to tighten the wingnuts and screws to its maximum may cause failure



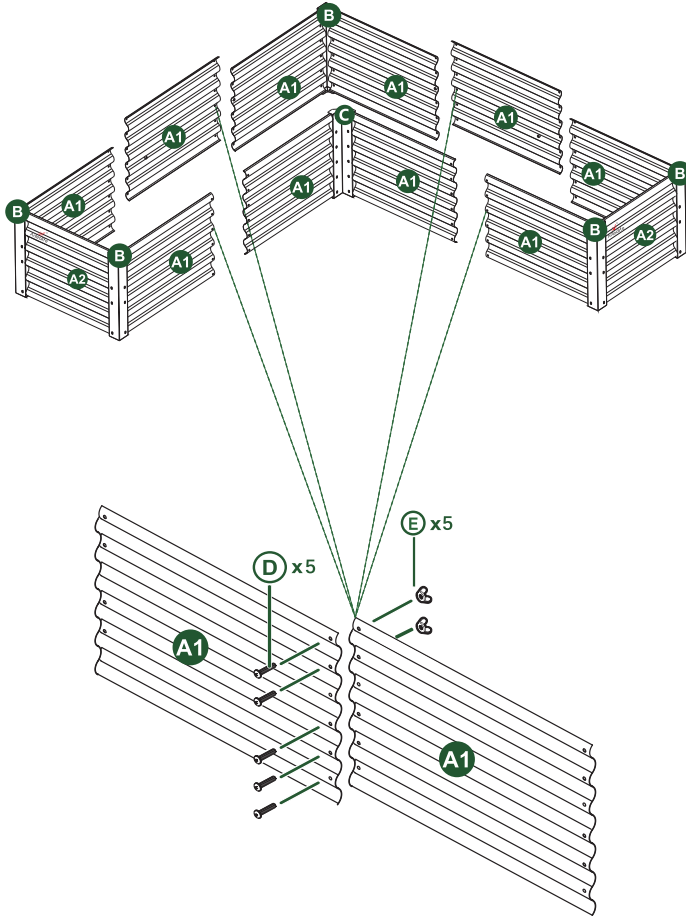
2 Attach two A1 long Side panles & one B Outer corner bracket, secure them with D screws & E wingnuts.



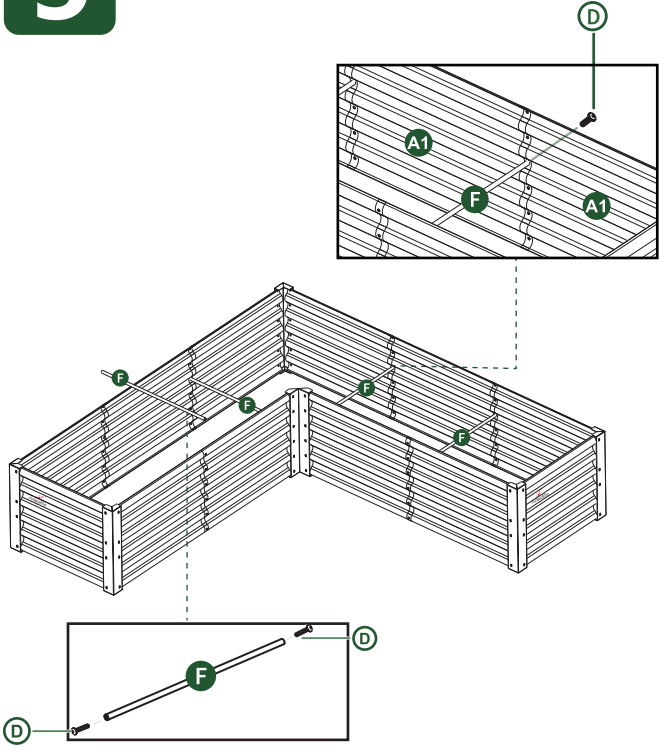
3 Attach two A1 long Side panles & one C Inner corner bracket, secure them with D screws & E wingnuts, keep the 3rd connector holes empty.



4 Connected last two A1 long Side panles to all connected parts in the last three steps, secure them with D screws & E wingnuts, keep the 3rd connector holes empty.



5 Secure four F Bracing rods in the 3rd connector holes with D screws.



HELP CENTER

If you need any help, please feel free to contact us anytime. We are here to help. Visit us at: www.anleolifeshop.com

- Product Information
- Online Inquiry
- Item Assembly
- Orders FAQs
- Returns & Refunds

NOTICE

- Do not stand on or use any part of this item as a step ladder.
- Firmly secure all bolts, screws before use.
- Reconfirm that all bolts, screws, and knobs are secure every 90 days.
- Be aware that some parts are heavy, the protective equipment such as closed toe shoes is recommended, a pair of gloves is provided.
- If any parts are missing, broken, damaged, or worn, stop using this product until repairs are made and/or factory replacement parts are installed.
- Do not use this item in a way inconsistent with the manufacturer's instructions.