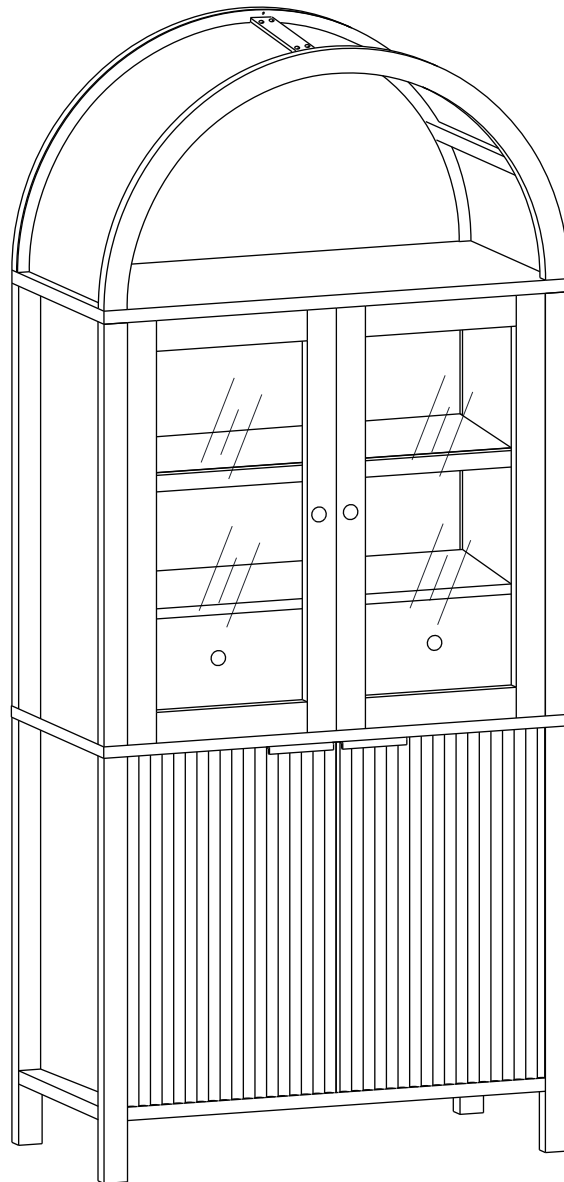


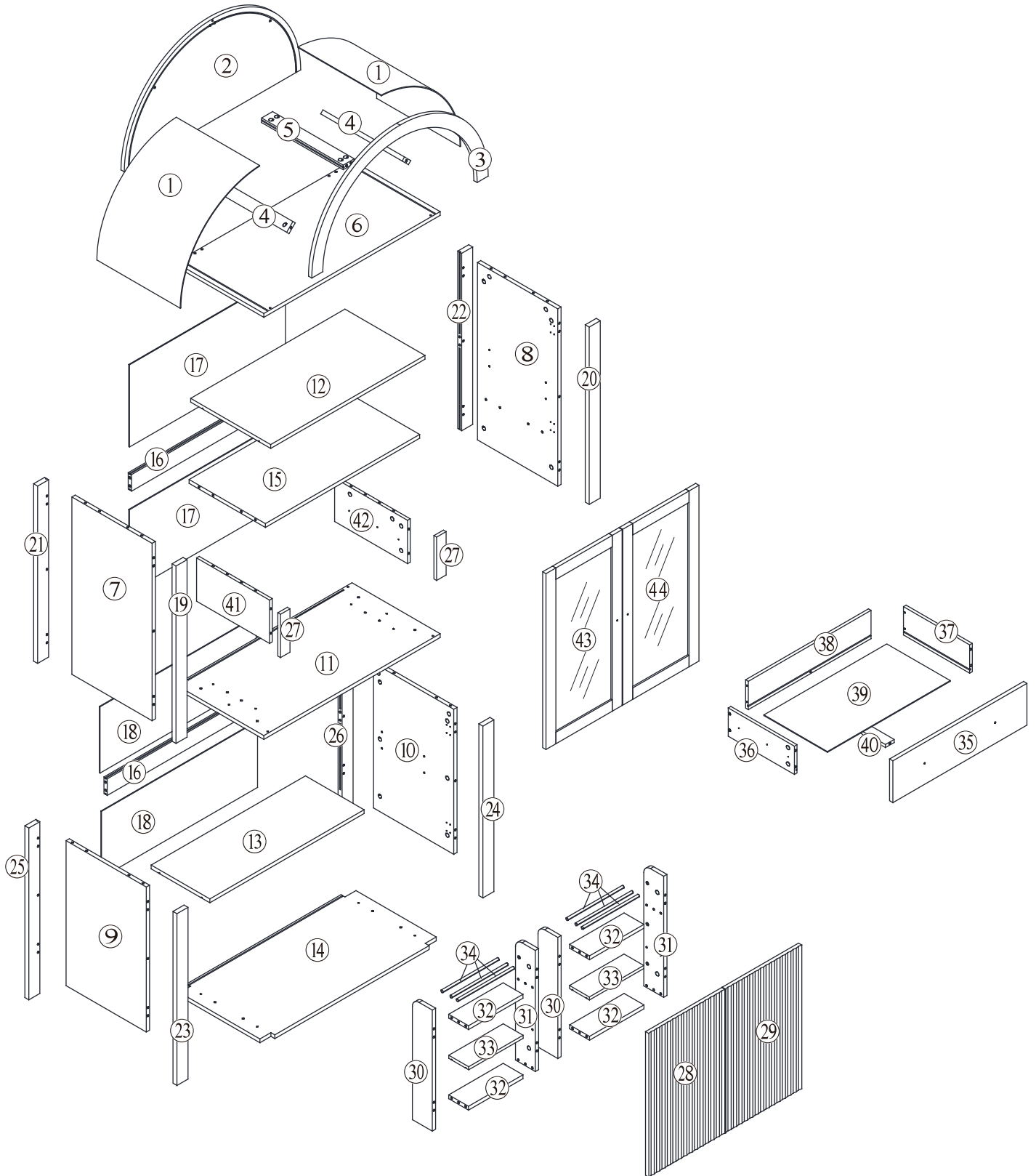
W2917S00014

W2917S00015



As this item contains many parts, please read the installation instruction carefully before installation . Please use tools properly and carefully.

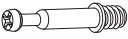

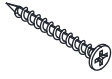





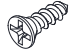


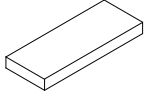







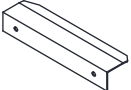
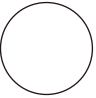

Assembly Instruction



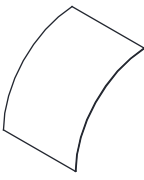
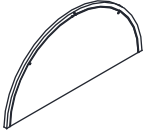

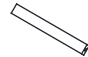






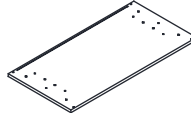
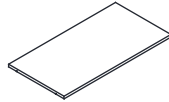
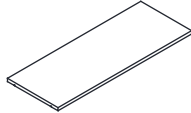
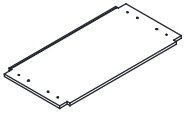
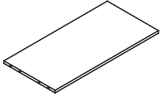

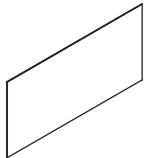
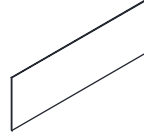
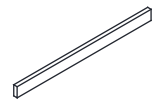
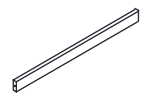


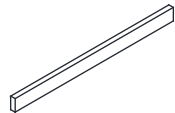
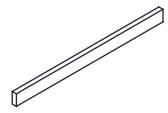
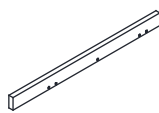


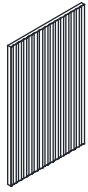
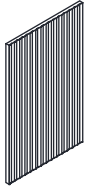


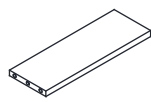
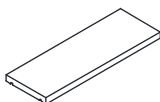

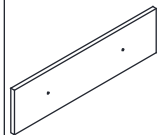
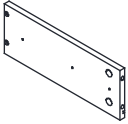
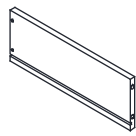

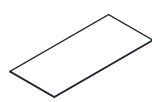

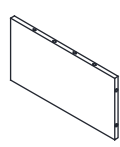
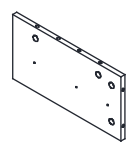


Components - Fittings

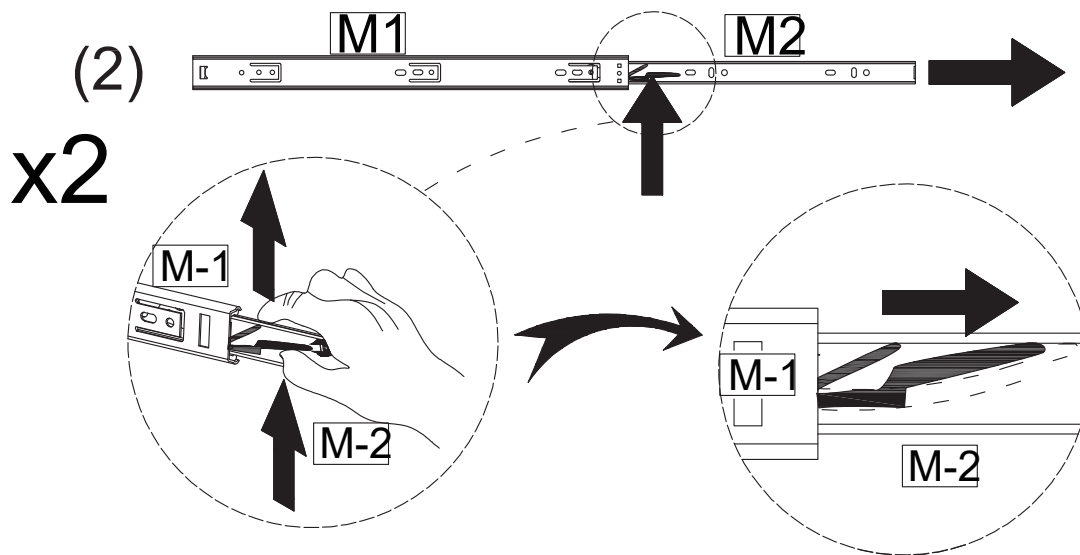
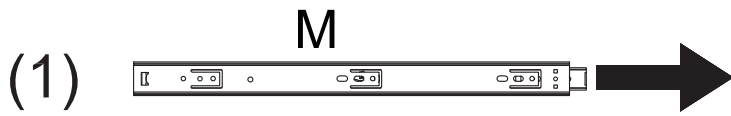
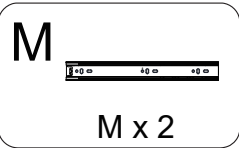
Please check you have all the panels listed below

Note: The quantities below are the correct amount to complete the assembly. In some cases, more fittings may be supplied than required.

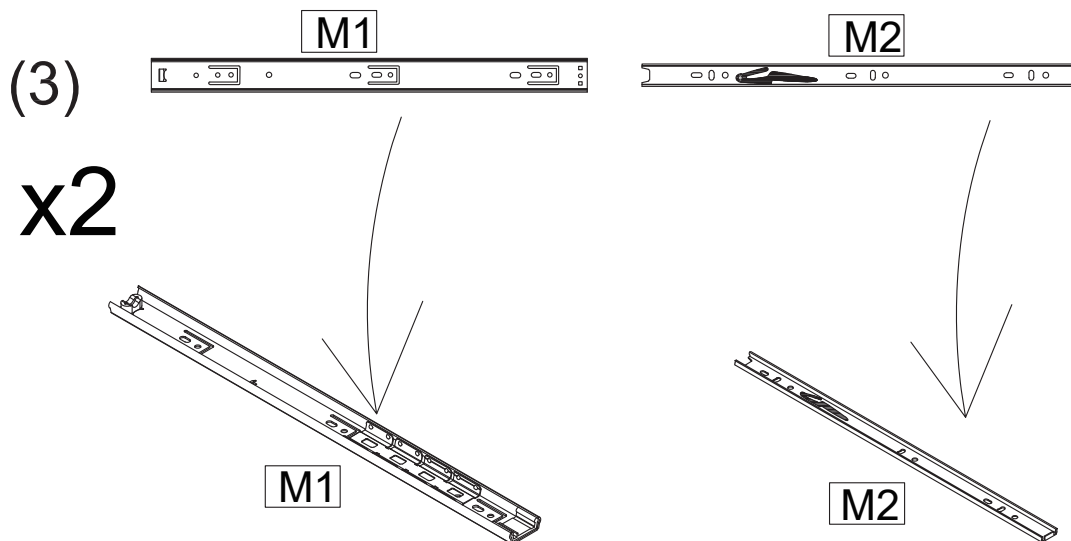
 A: 92PCS	 B: 92PCS	 $\varnothing 4 \times 35 \text{mm}$ C: 18PCS	 $\varnothing 4 \times 30 \text{mm}$ D: 5PCS	 $\varnothing 3.5 \times 10 \text{mm}$ E: 20PCS	 F: 4PCS	
 M4x18mm G: 4PCS	 H: 8PCS	 $\varnothing 3.5 \times 14 \text{mm}$ I: 52PCS	 $\varnothing 5 \times 25 \text{mm}$ J: 16PCS	 $\varnothing 6 \times 30 \text{mm}$ K: 64PCS	 L: 4PCS	 M: 2PCS
 N: 2PCS	 O: 1PC	 $\varnothing 5 \times 40 \text{mm}$ P: 1PC	 Q: 16PCS	 $\varnothing 3 \times 16 \text{mm}$ R: 16PCS	 S: 1PCS	 T: 2PCS
 U: 92PCS	 V: 1PC					

Assembly Instruction

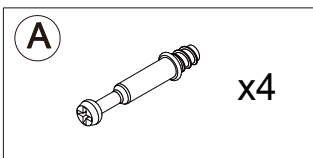
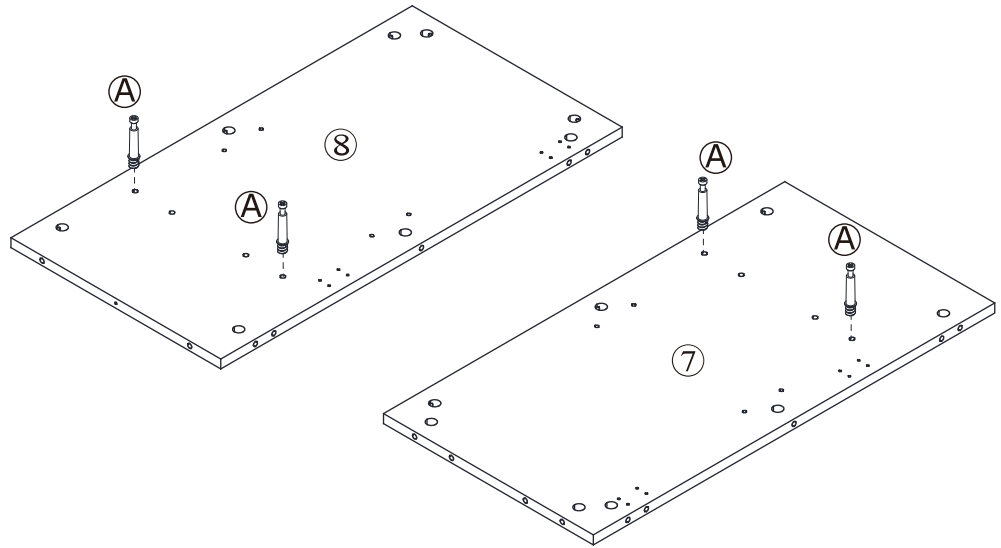
							
1: 2PCS	2: 1PC	3: 1PC	4: 2PCS	5: 1PC	6: 1PC	7: 1PC	
							
8: 1PC	9: 1PC	10: 1PC	11: 1PC	12: 1PC	13: 1PC	14: 1PC	
							
15: 1PC	16: 2PCS	17: 2PCS	18: 2PCS	19: 1PC	20: 1PC	21: 1PC	
							
22: 1PC	23: 1PC	24: 1PC	25: 1PC	26: 1PC	27: 2PCS	28: 1PC	
							
29: 1PC	30: 2PCS	31: 2PCS	32: 4PCS	33: 2PCS	34: 6PCS	35: 1PC	36: 1PC
							
37: 1PC	38: 1PC	39: 1PC	40: 1PC	41: 1PC	42: 1PC	43: 1PC	44: 1PC



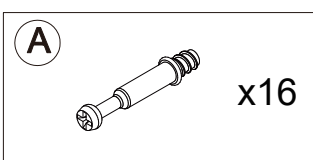
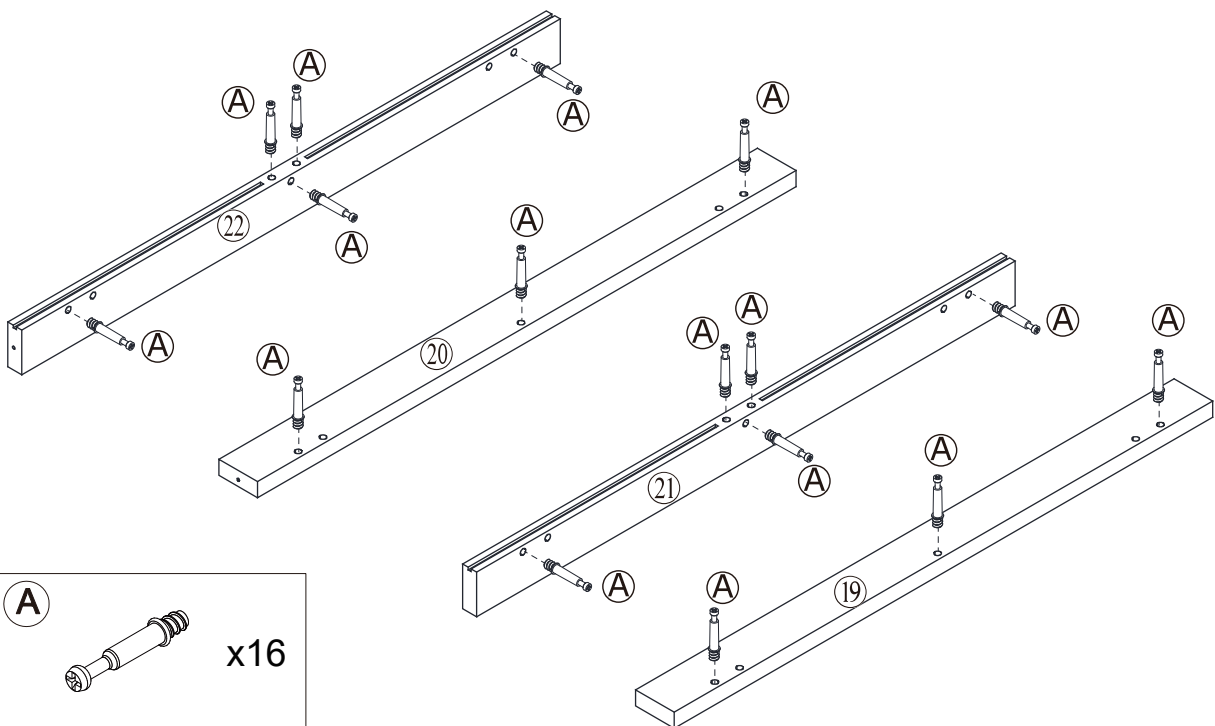
Move the black paddle upward and pull out (M2) to the right.
Déplacez la palette noire vers le haut et tirez (M2) vers la droite.



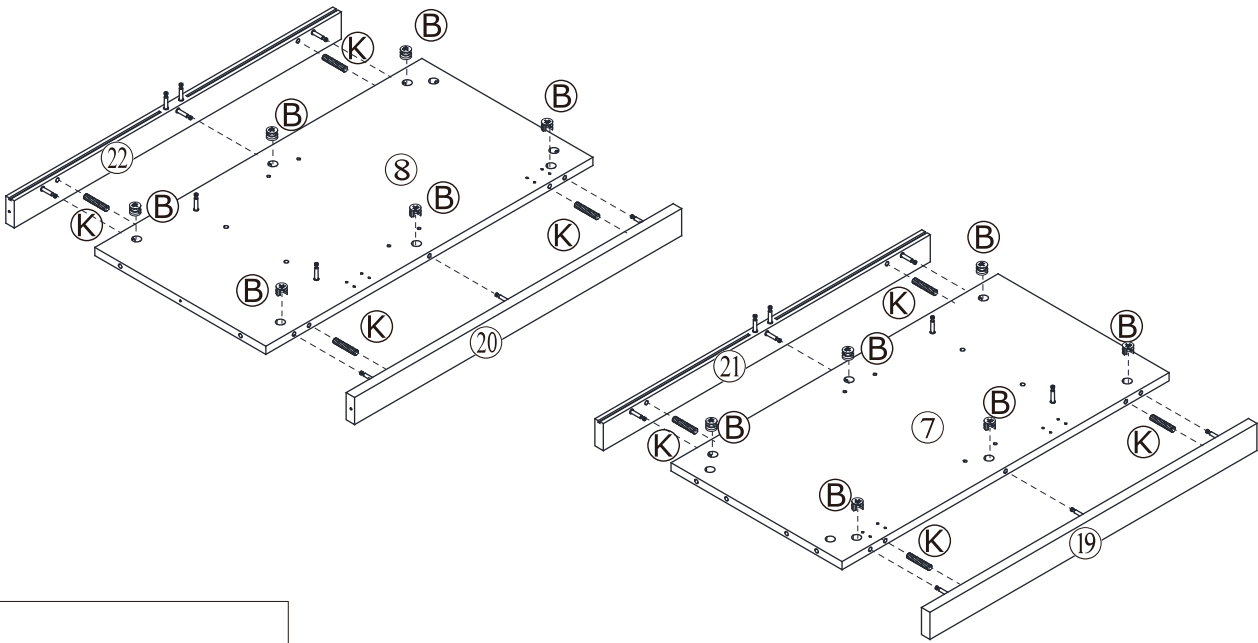
Step 1



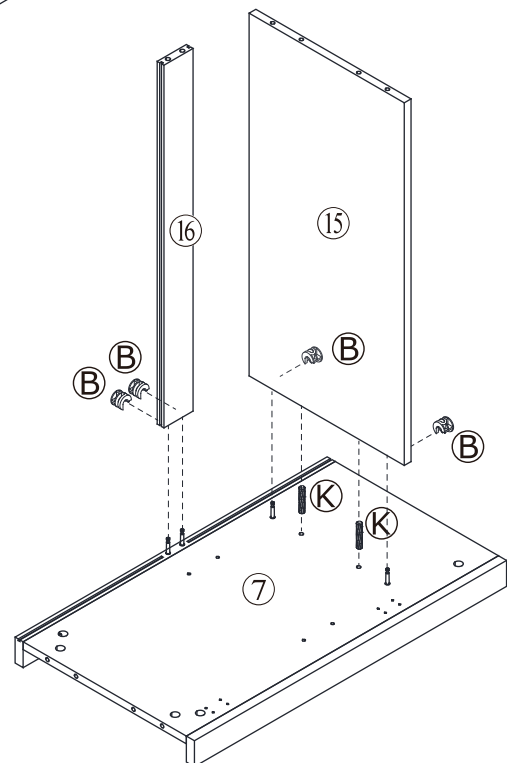
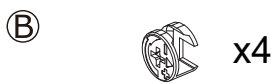
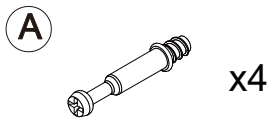
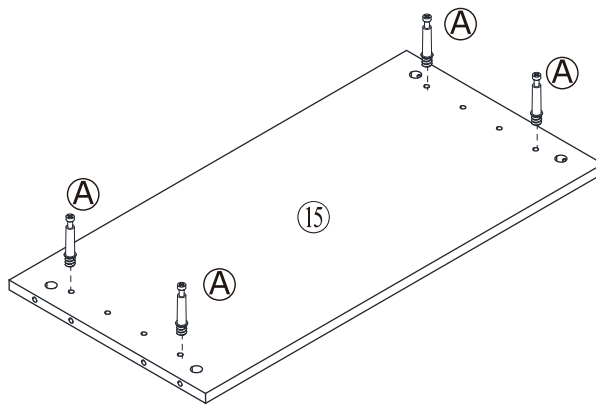
Step 2



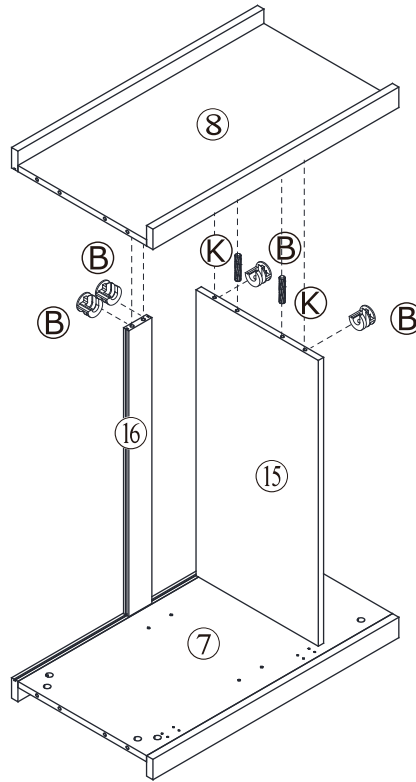
Step 3





Step 4

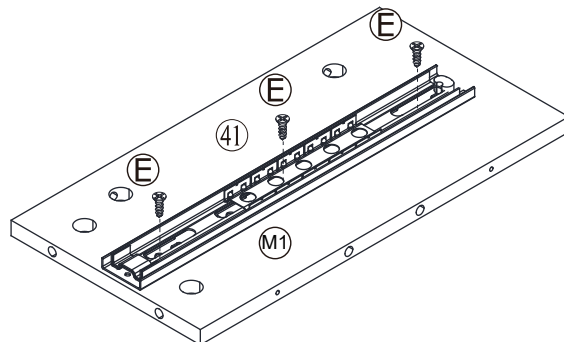
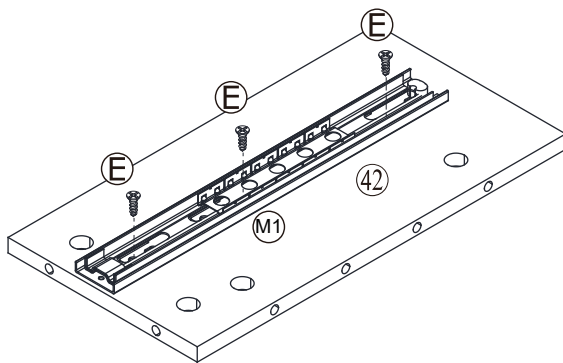


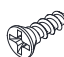

Step 5



B		x4
K		x2

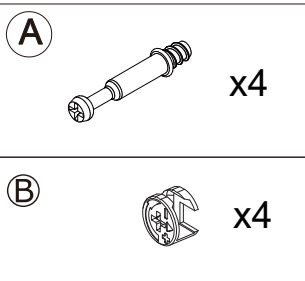
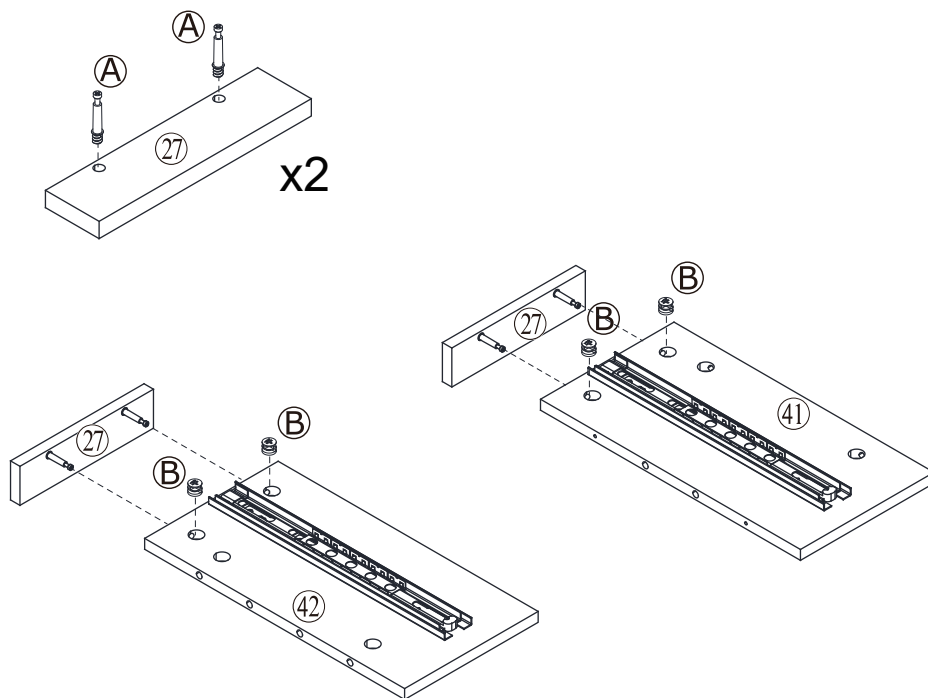
Step 6



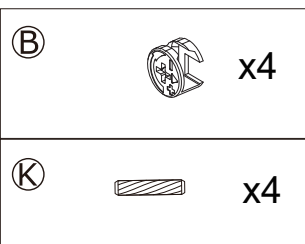
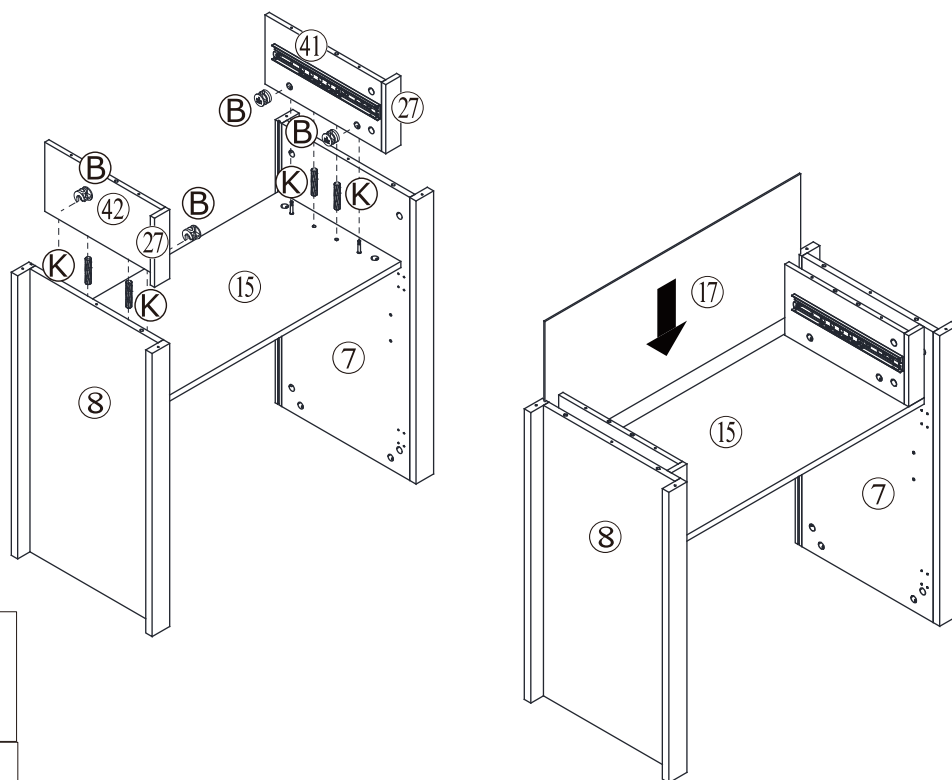
E		x6
M		x2



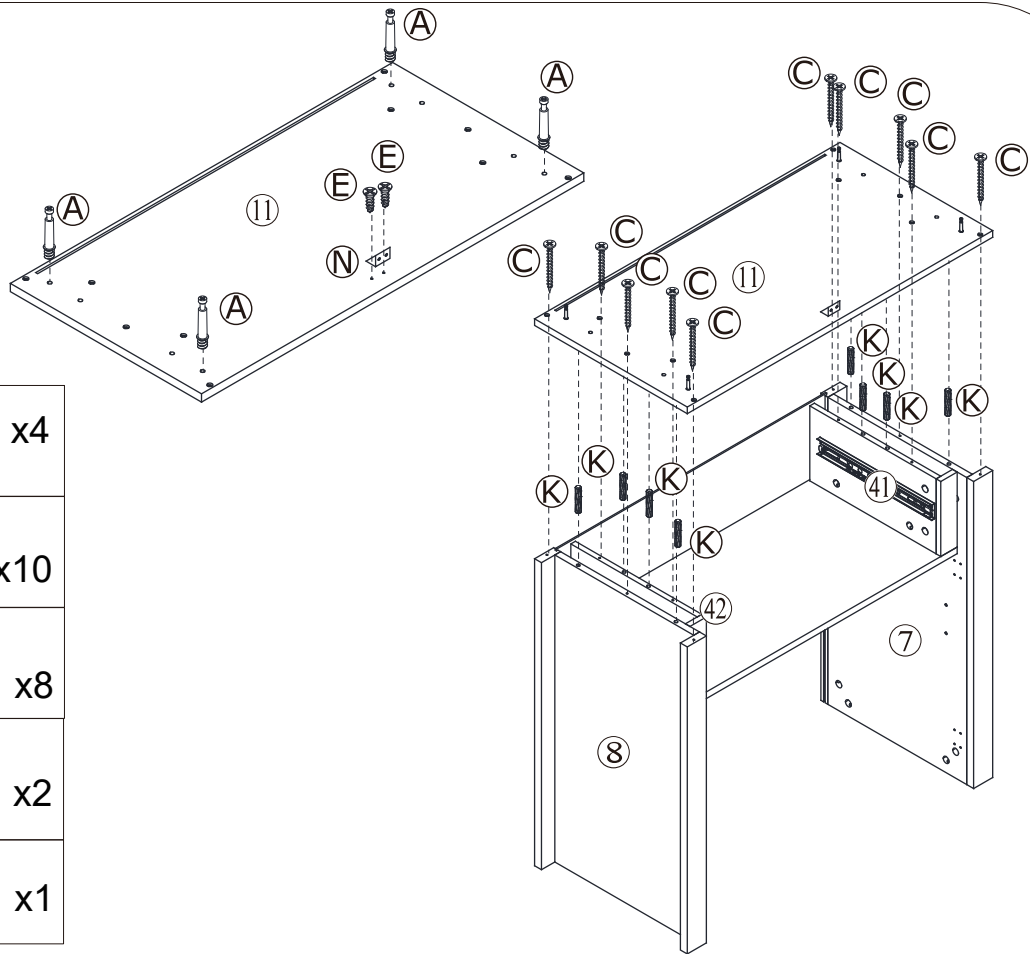
Step 7

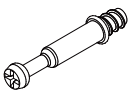






Step 8

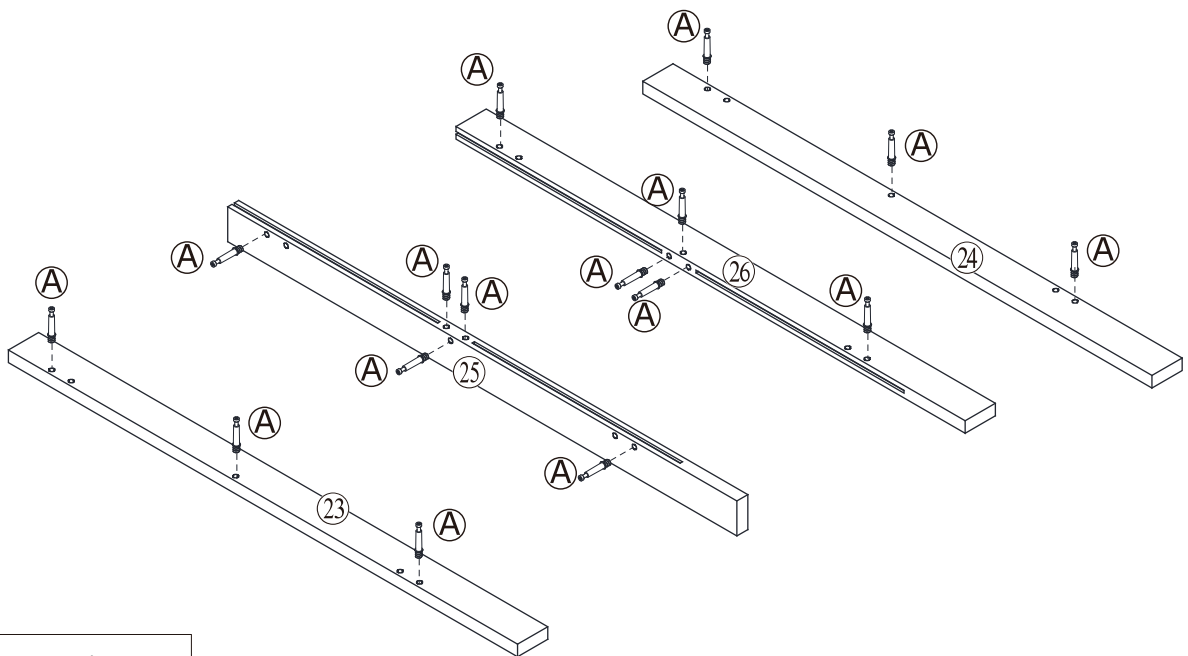


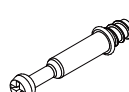
Step 9



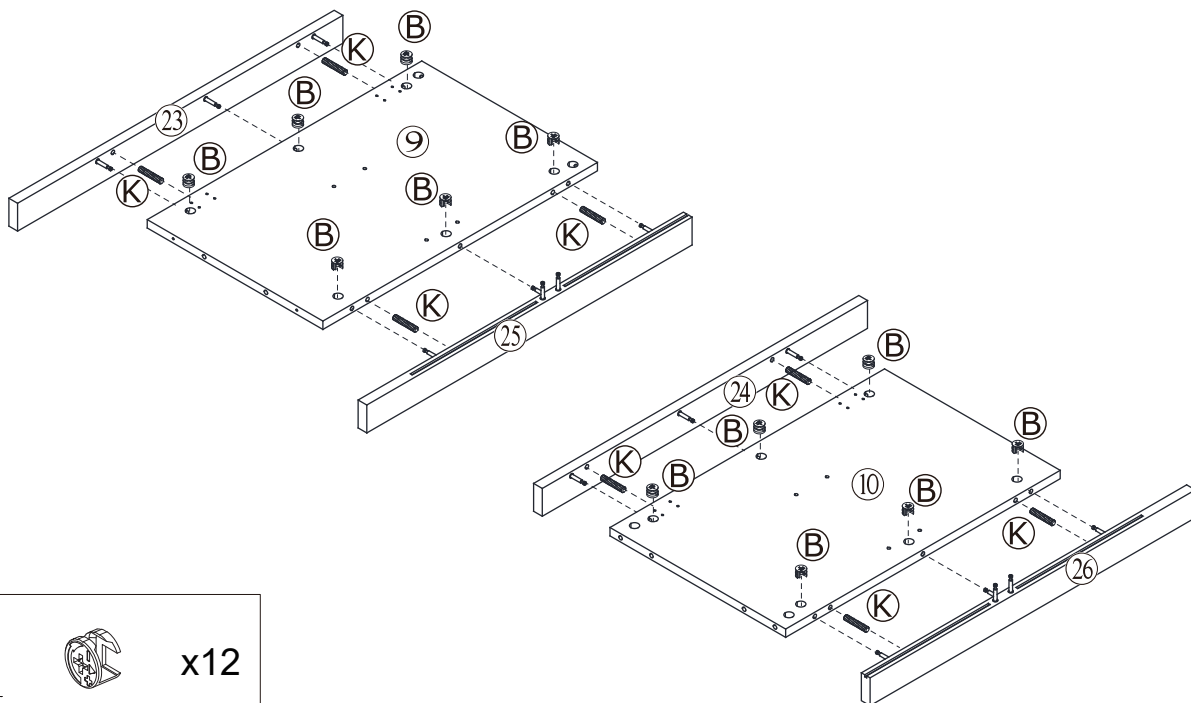
A		x4
C		x10
K		x8
E		x2
N		x1

Step 10



A		x16
----------	---	-----

Step 11



B



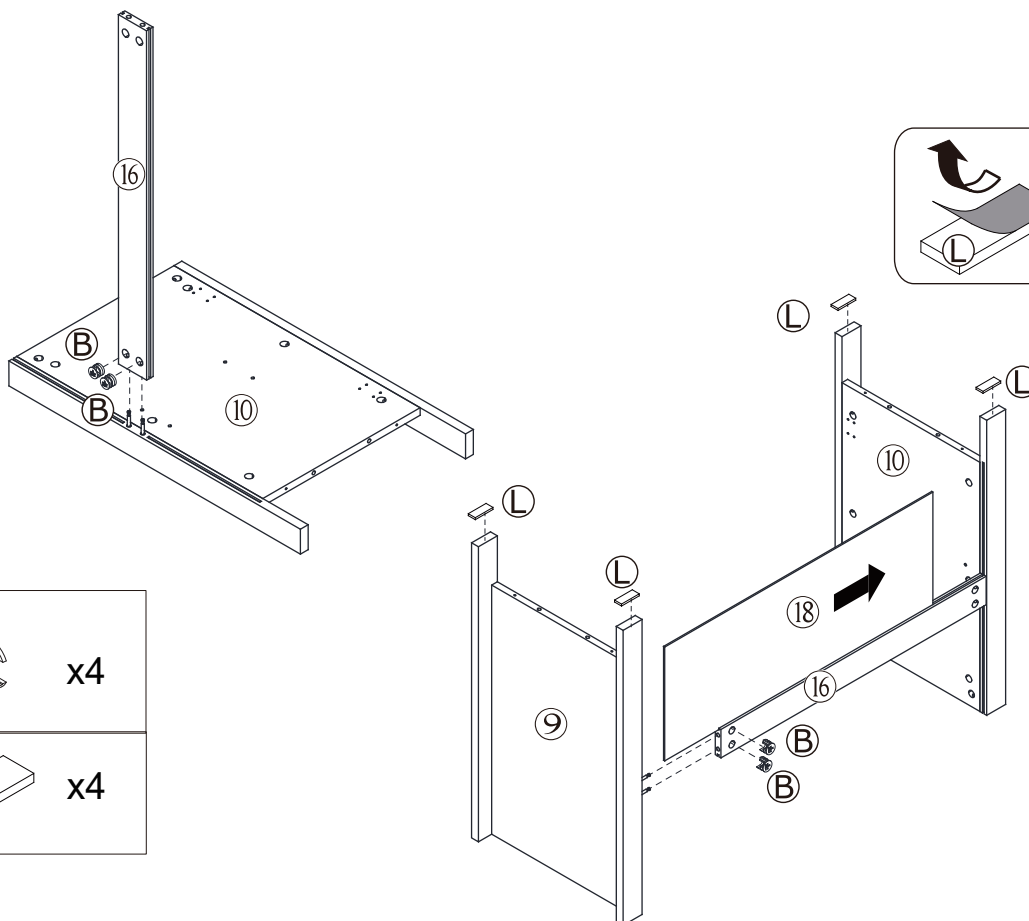
x12

K



x8

Step 12

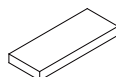


B



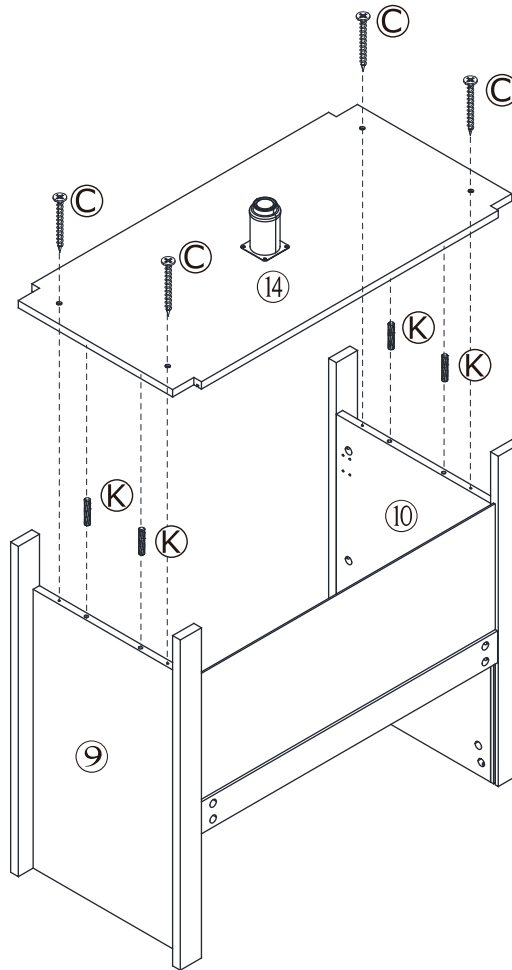
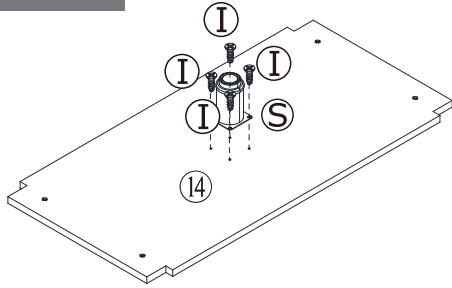
x4

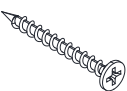


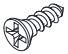
L



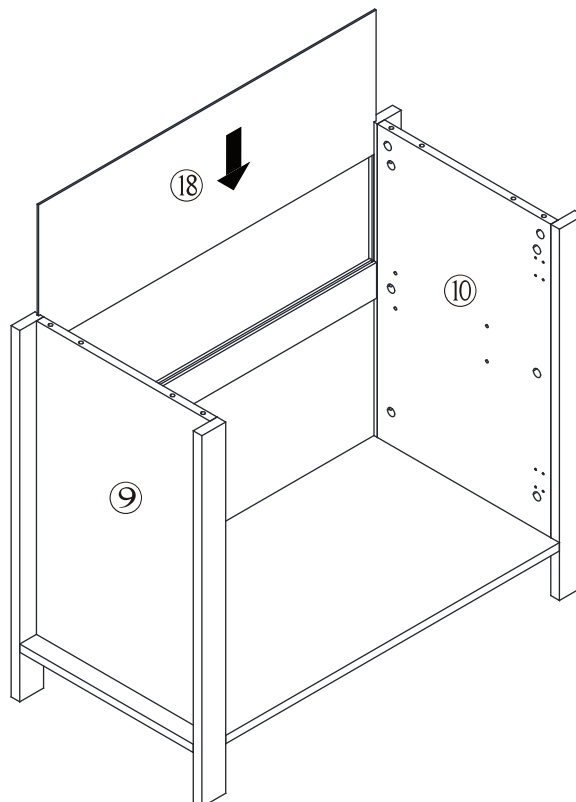
x4

Step 13

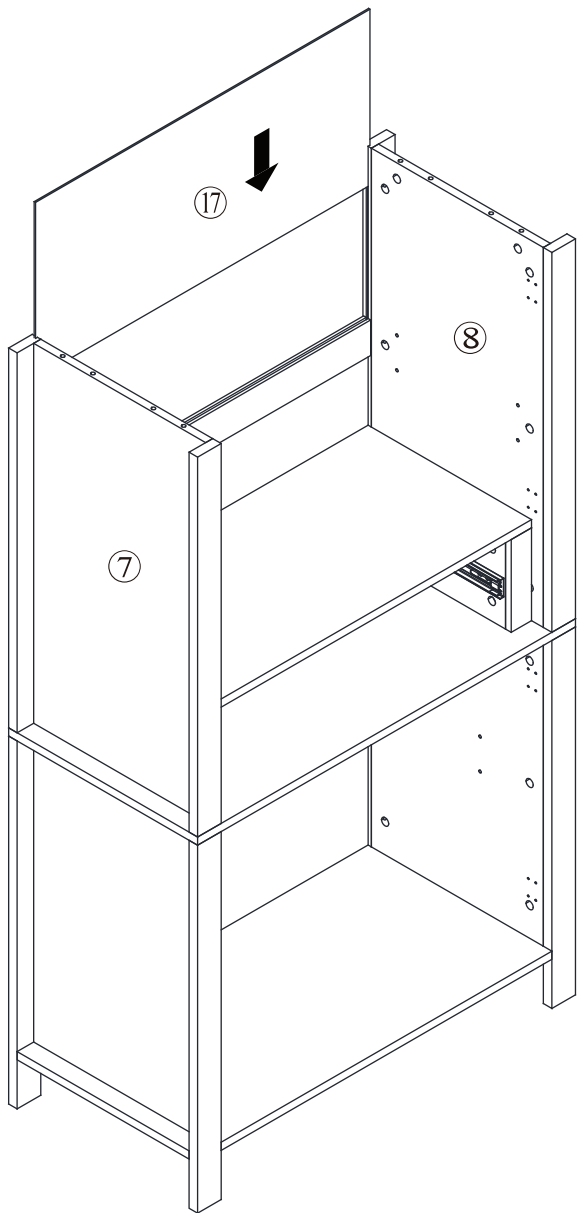
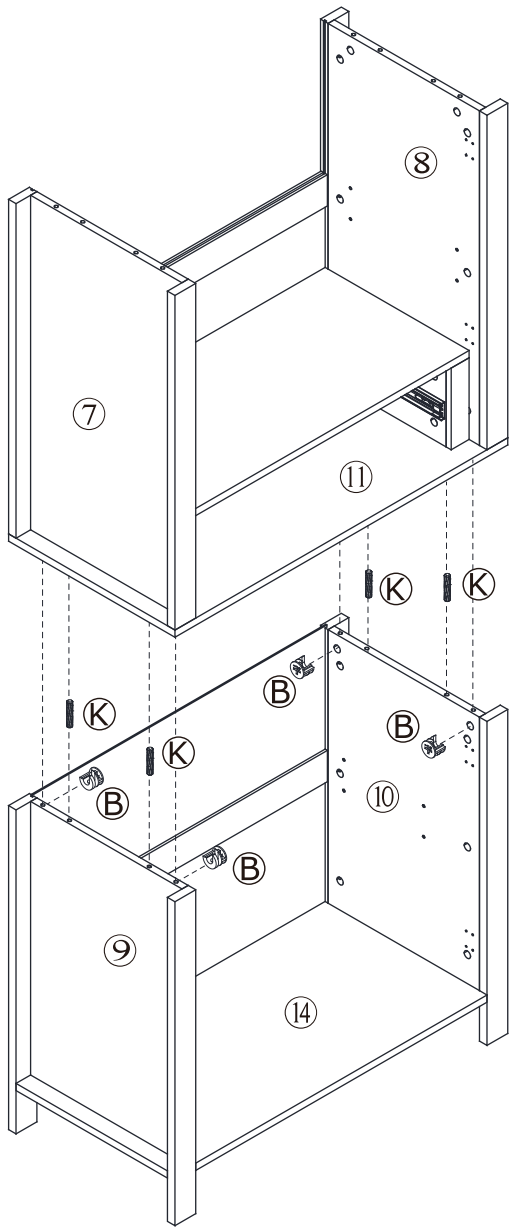




C		x4
K		x4
S		x1
I		x4

Step 14

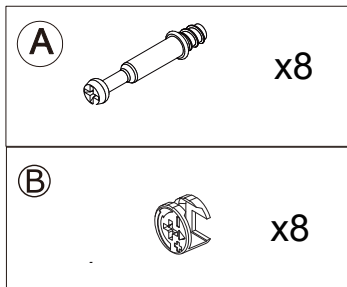
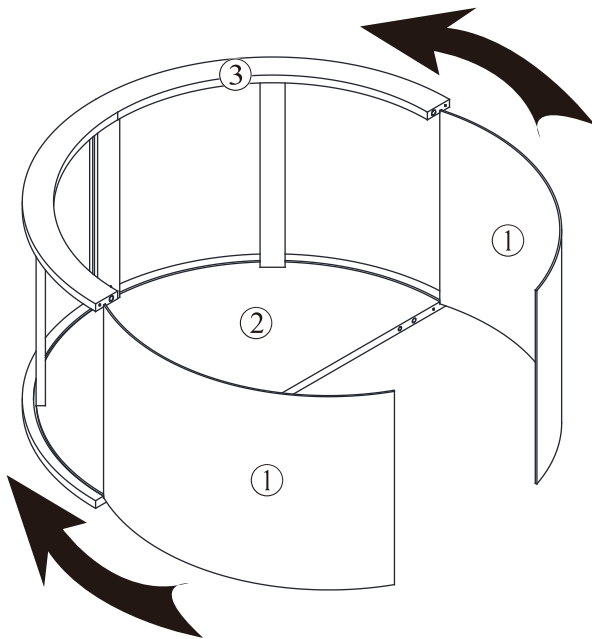
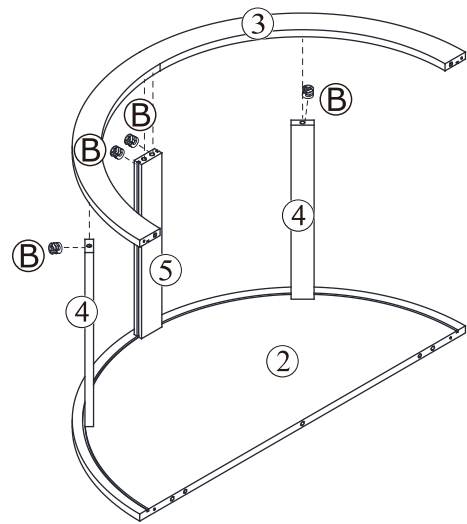
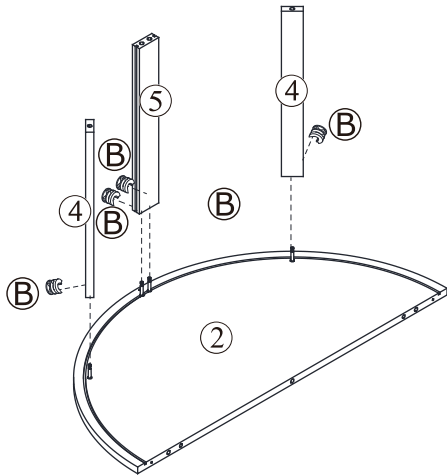
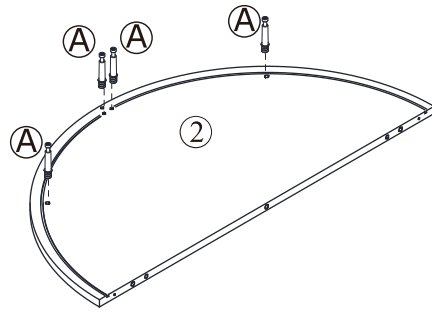
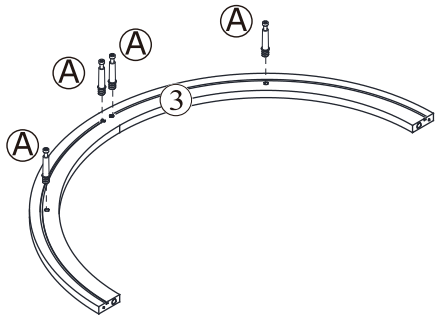


Step 15

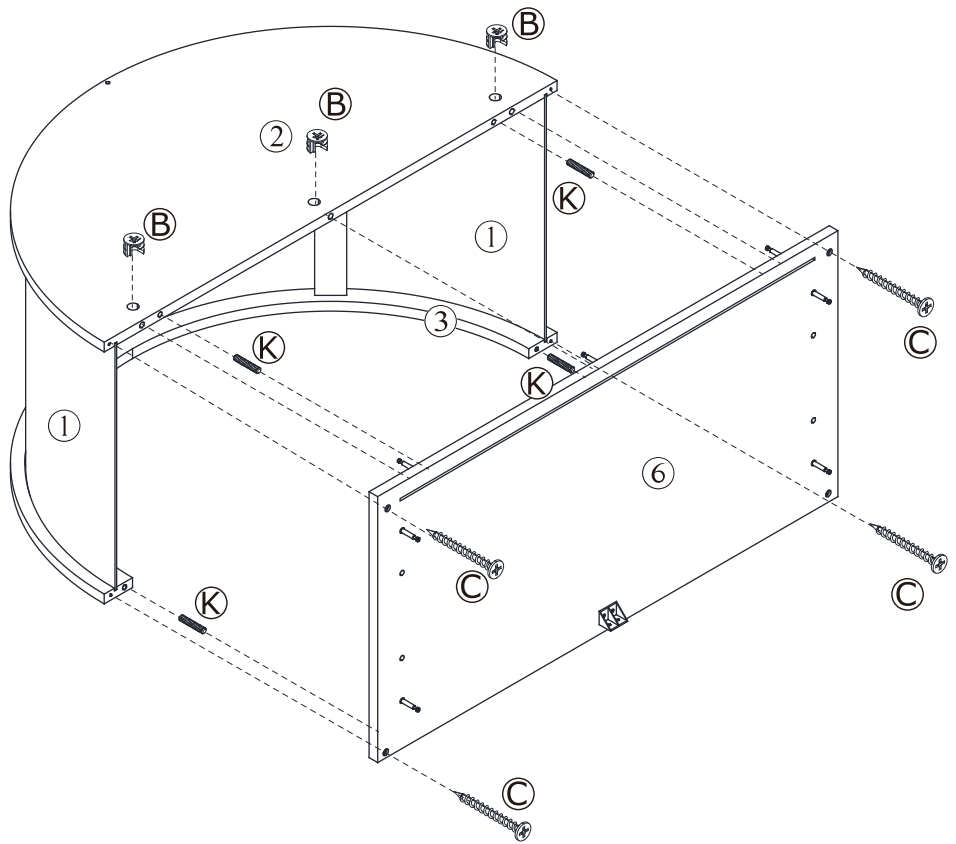
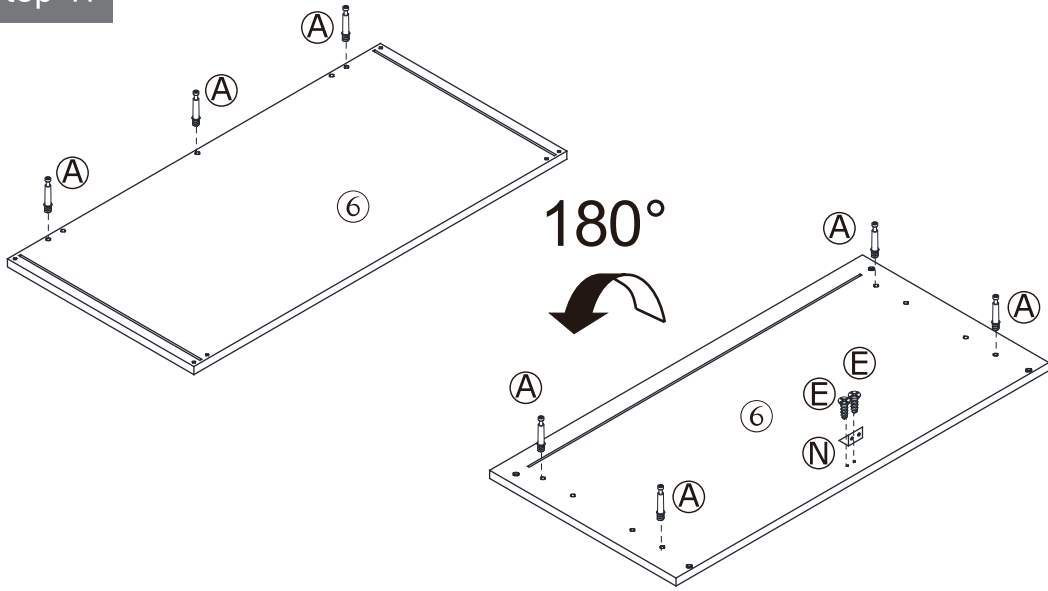


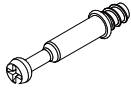

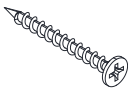



(B)		x4
(K)		x4

Step 16

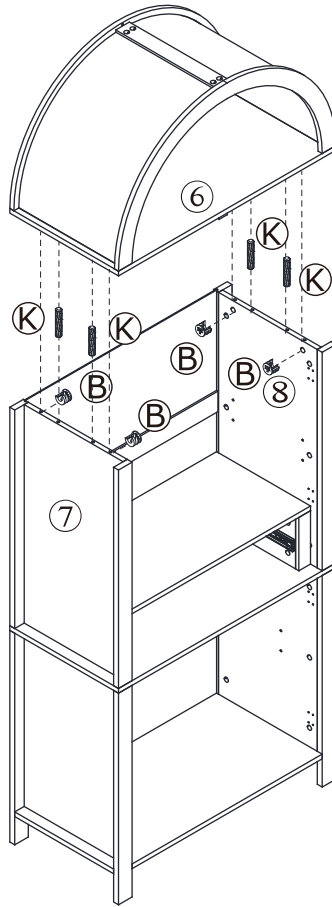


Step 17



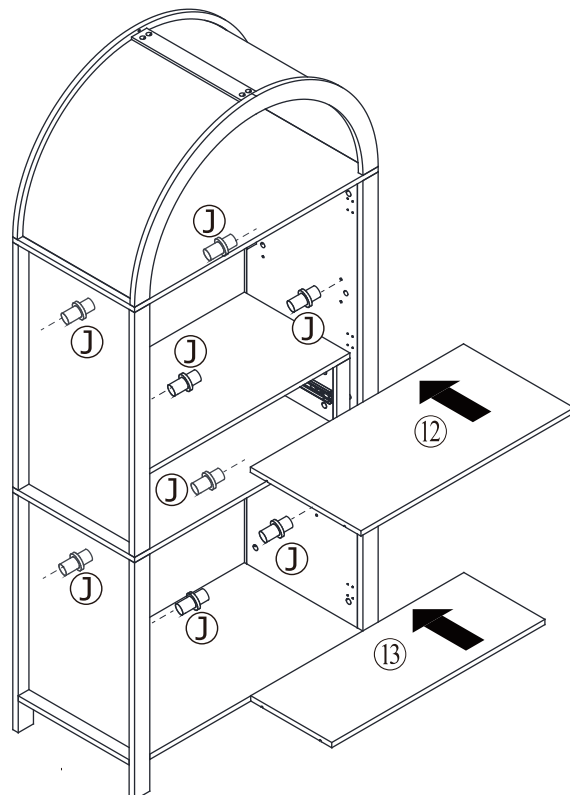
(A)		x7
(B)		x3
(C)		x4
(K)		x4
(E)		x2
(N)		x1

Step 18



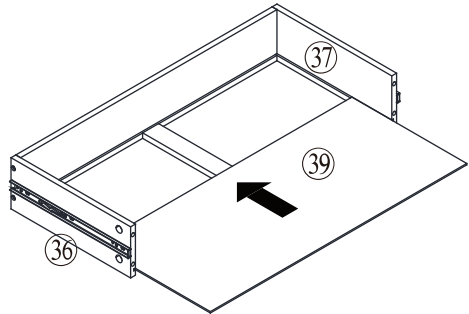
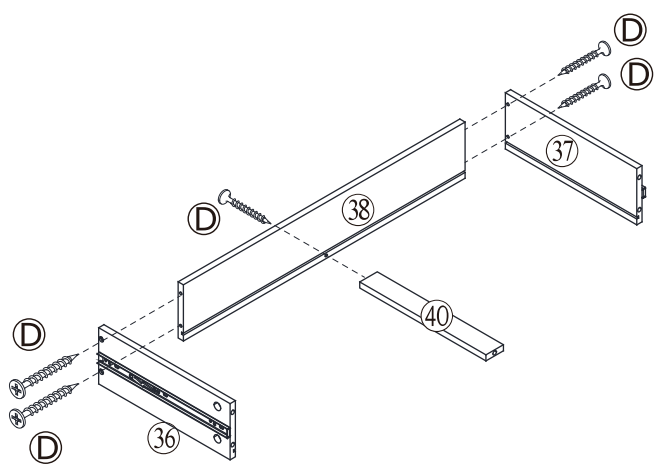
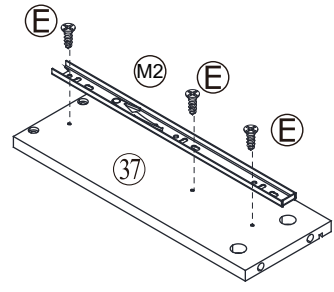
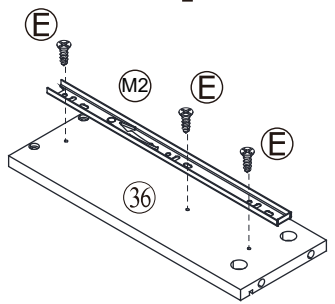
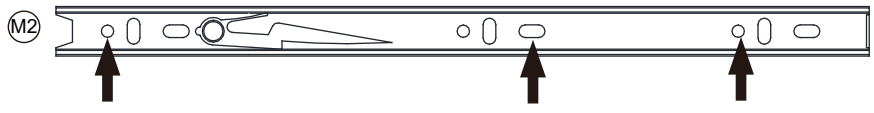
(B)		x4
(K)		x4

Step 19

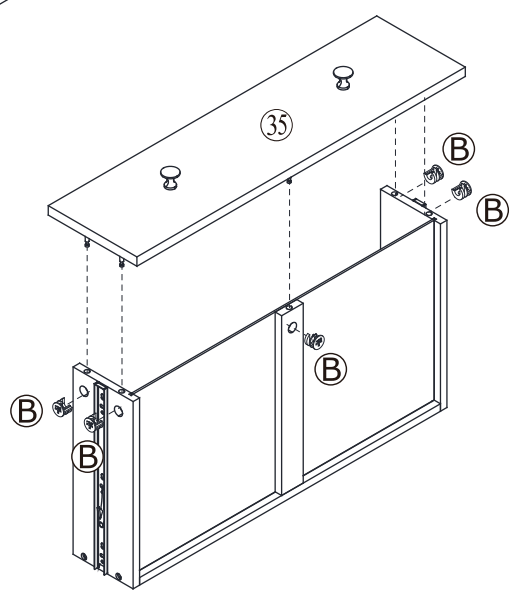
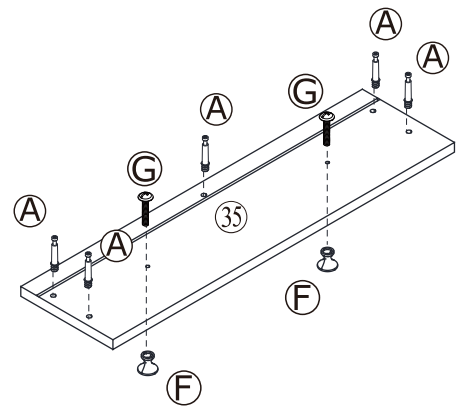


(J)		x8
-----	--	----

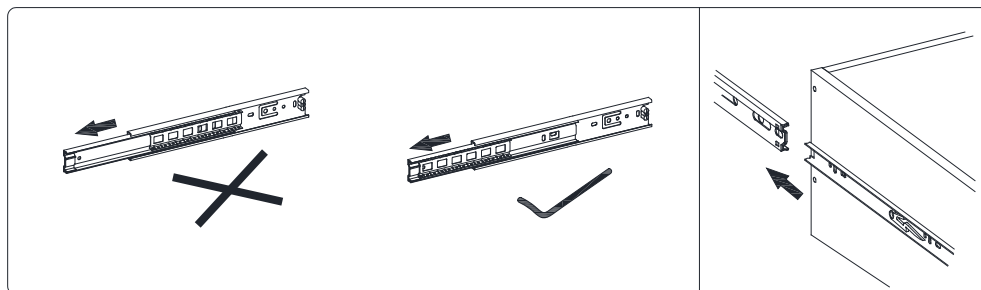
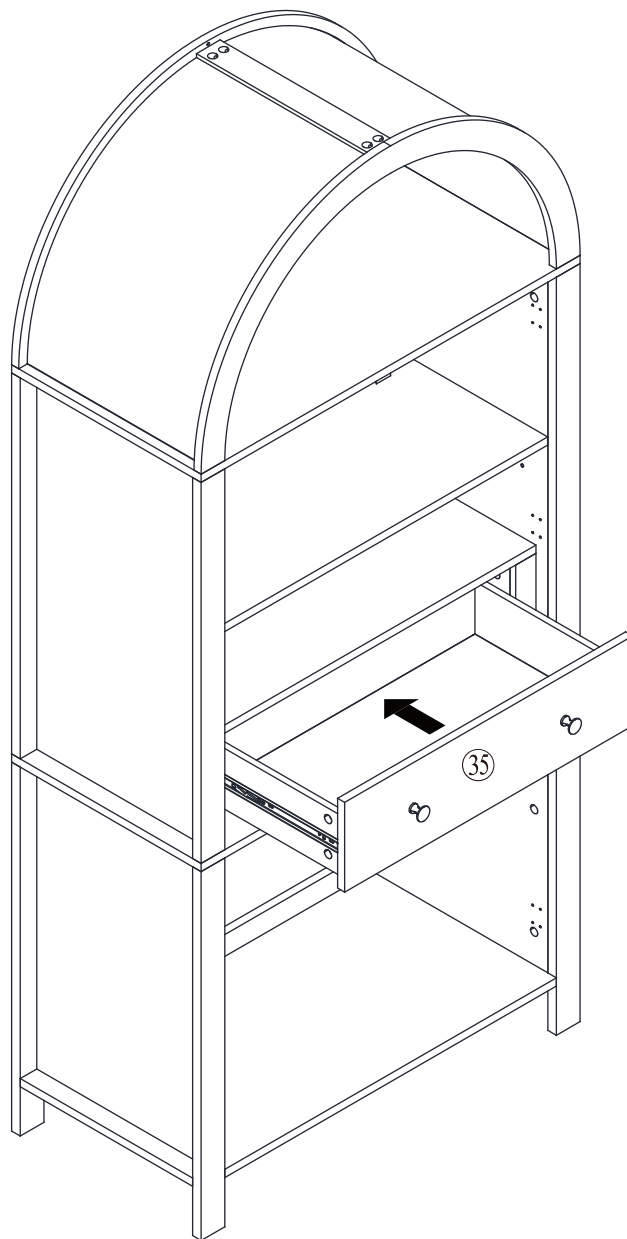
Step 20



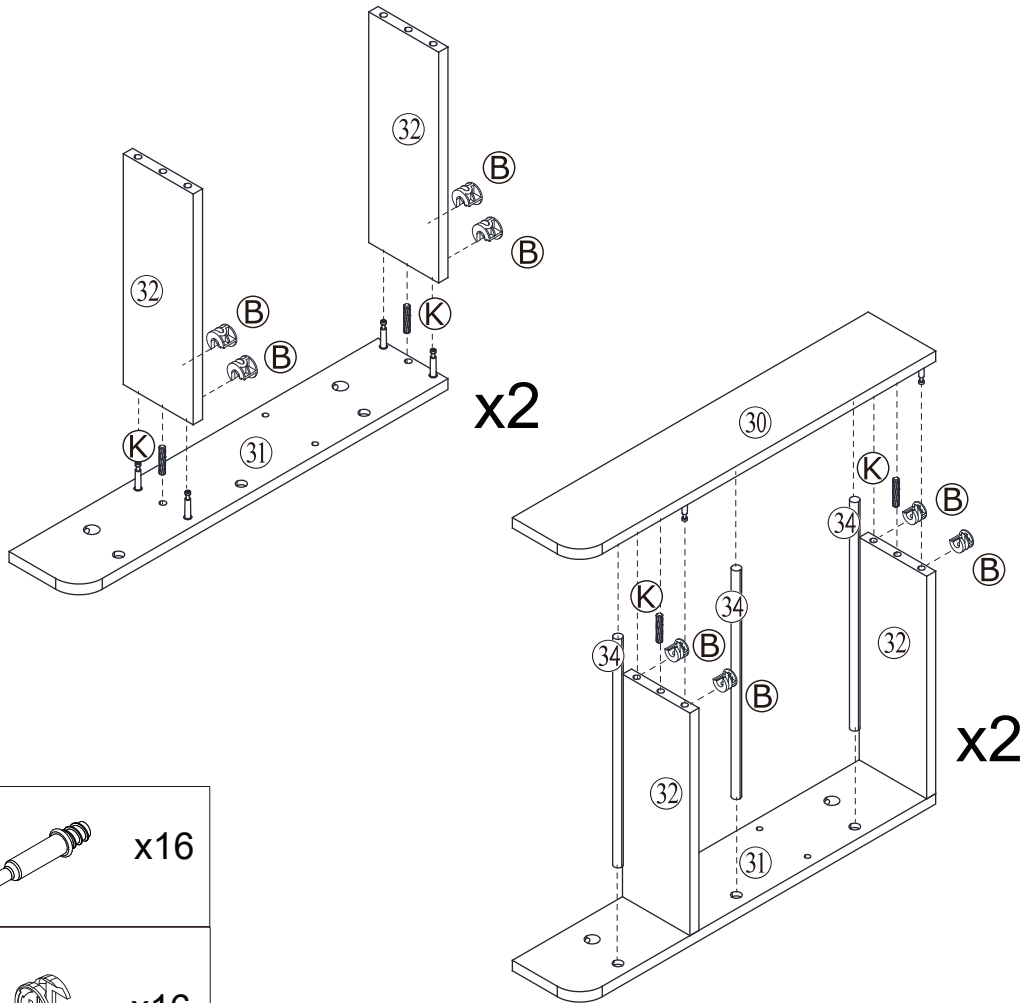
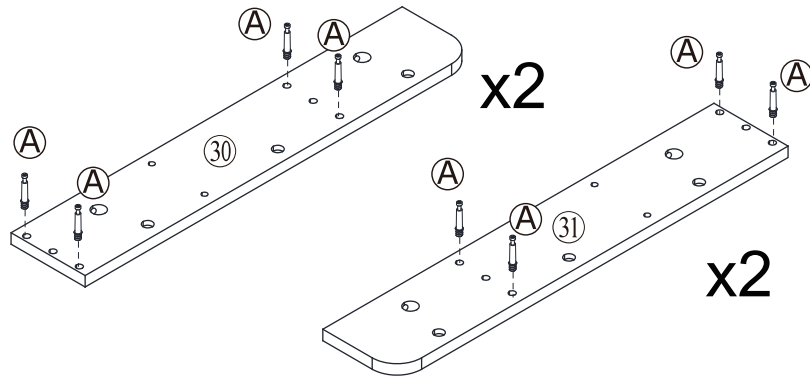
A		x5
B		x5
D		x5
E		x6
F		x2
G		x2
M		x2



Step 21

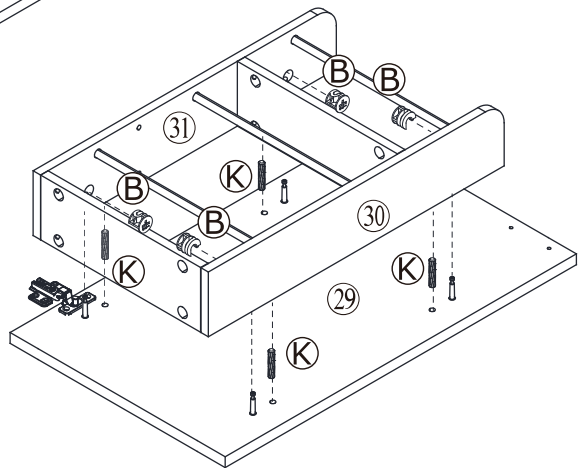
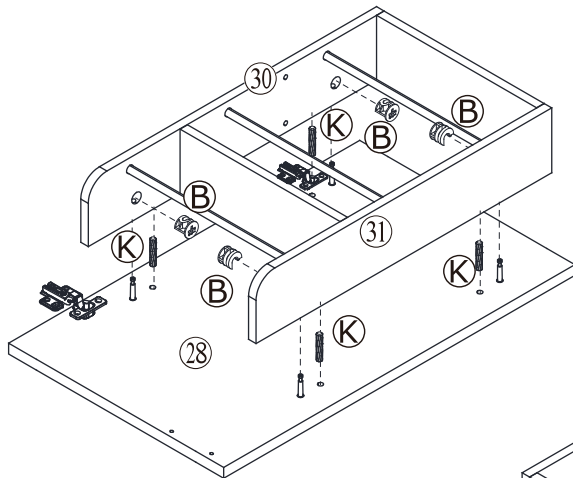
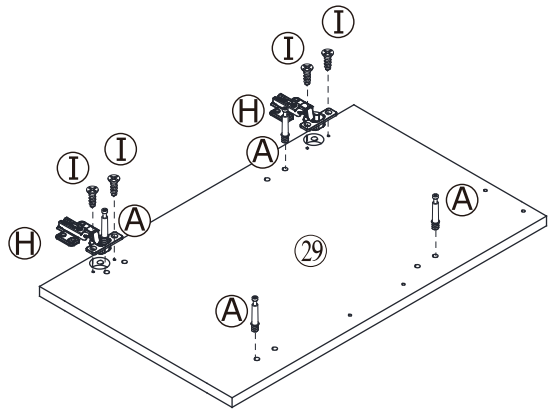
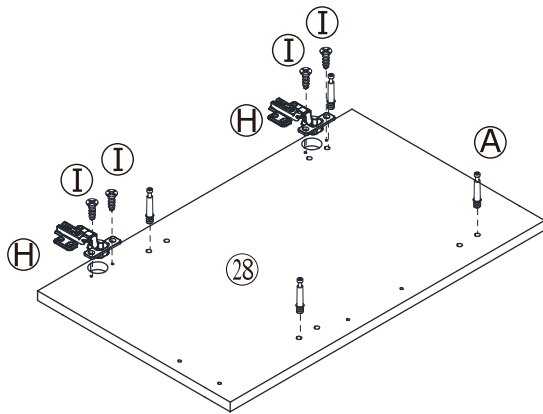


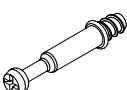


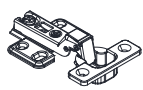

Step 22



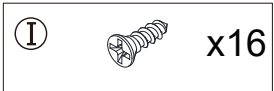
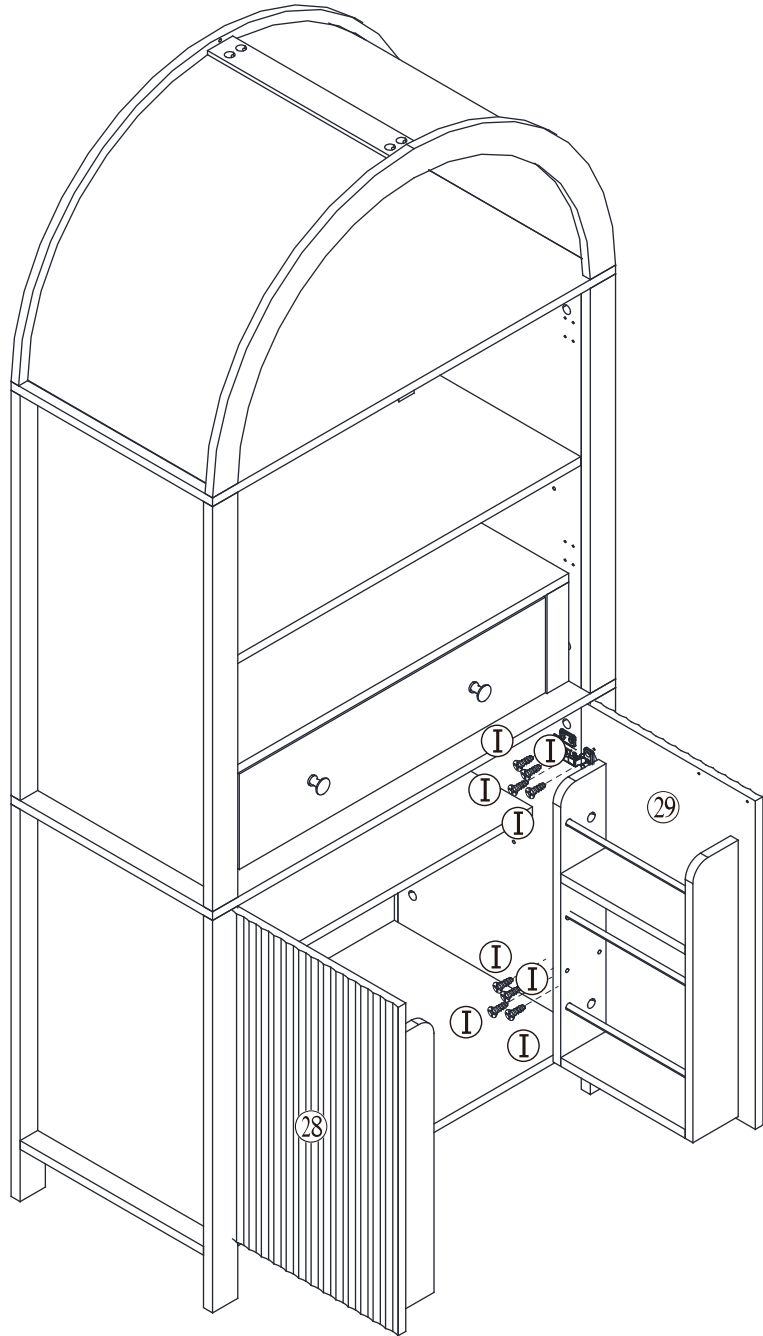
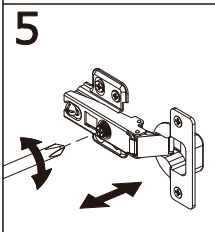
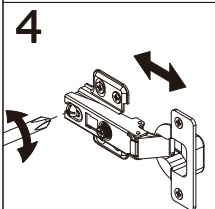
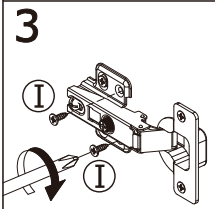
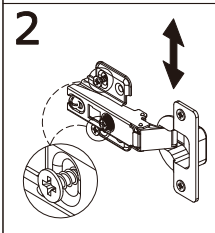
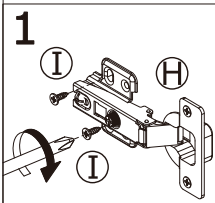
(A)		x16
(B)		x16
(K)		x8

Step 23

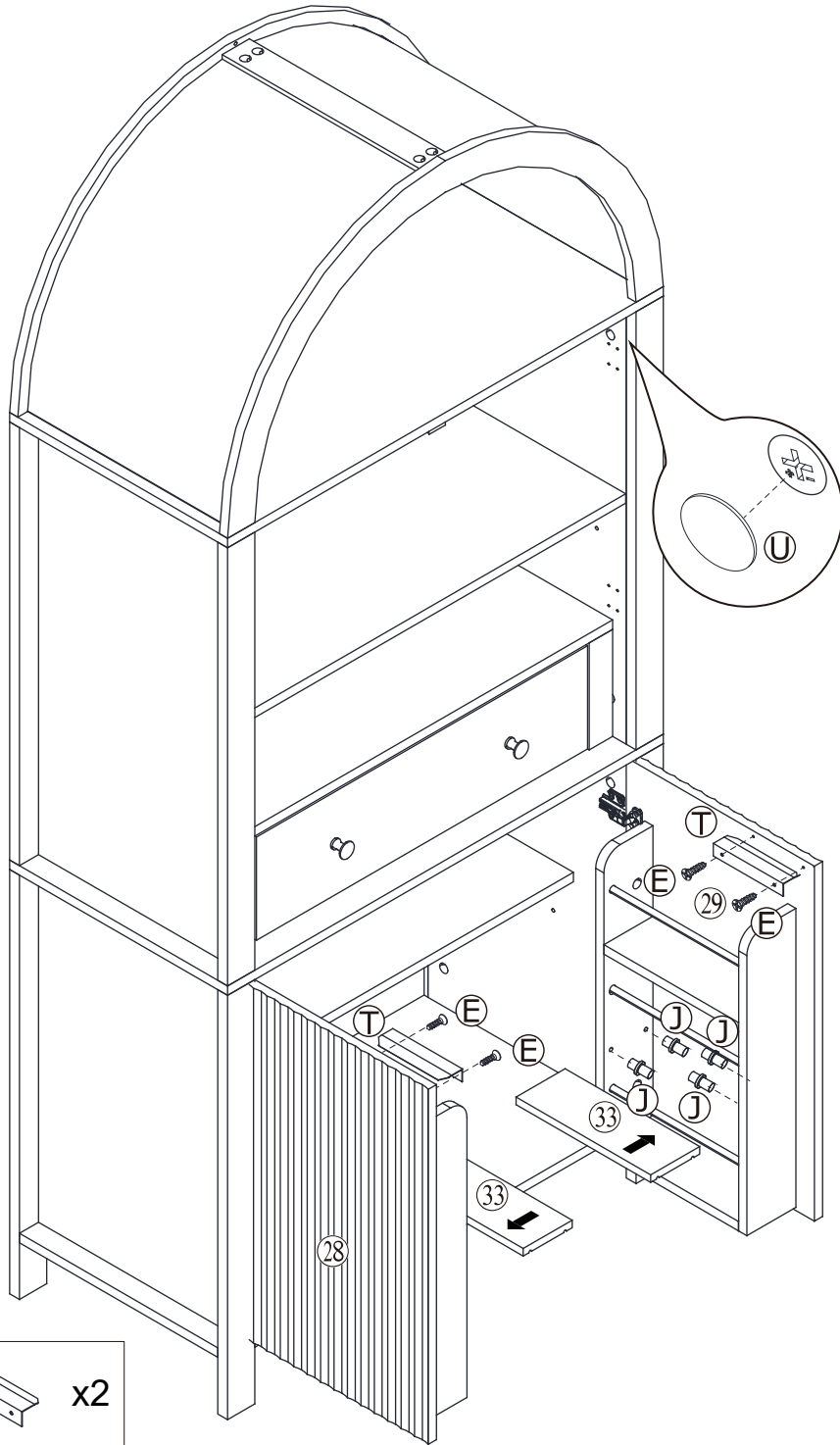


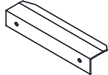

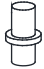
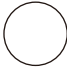
A		x8
B		x8
K		x8
H		x4
I		x8

Step 24

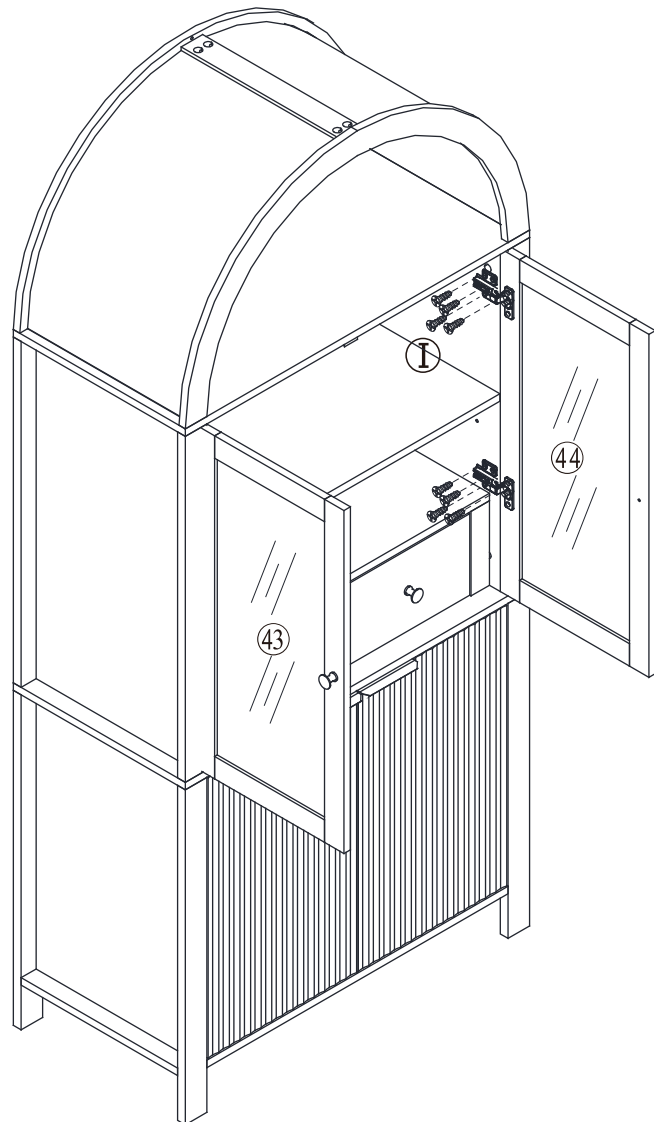
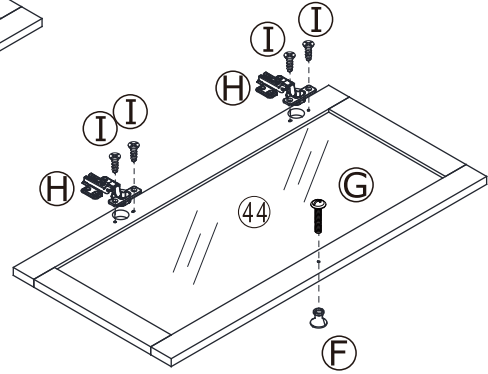
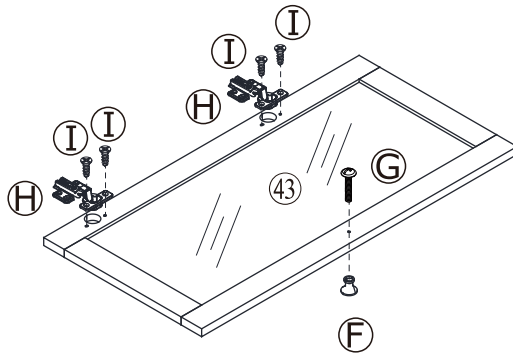
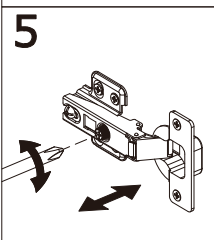
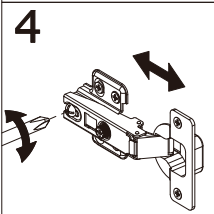
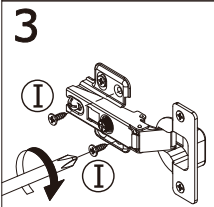
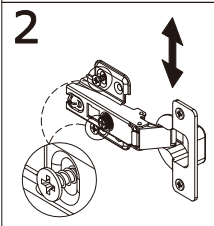
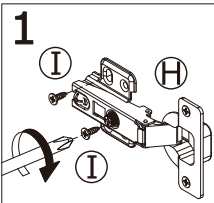


Step 25



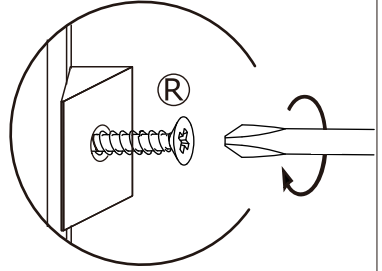
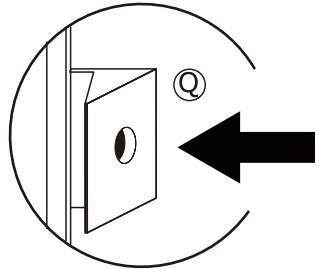
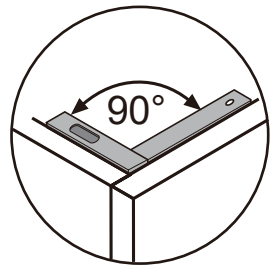
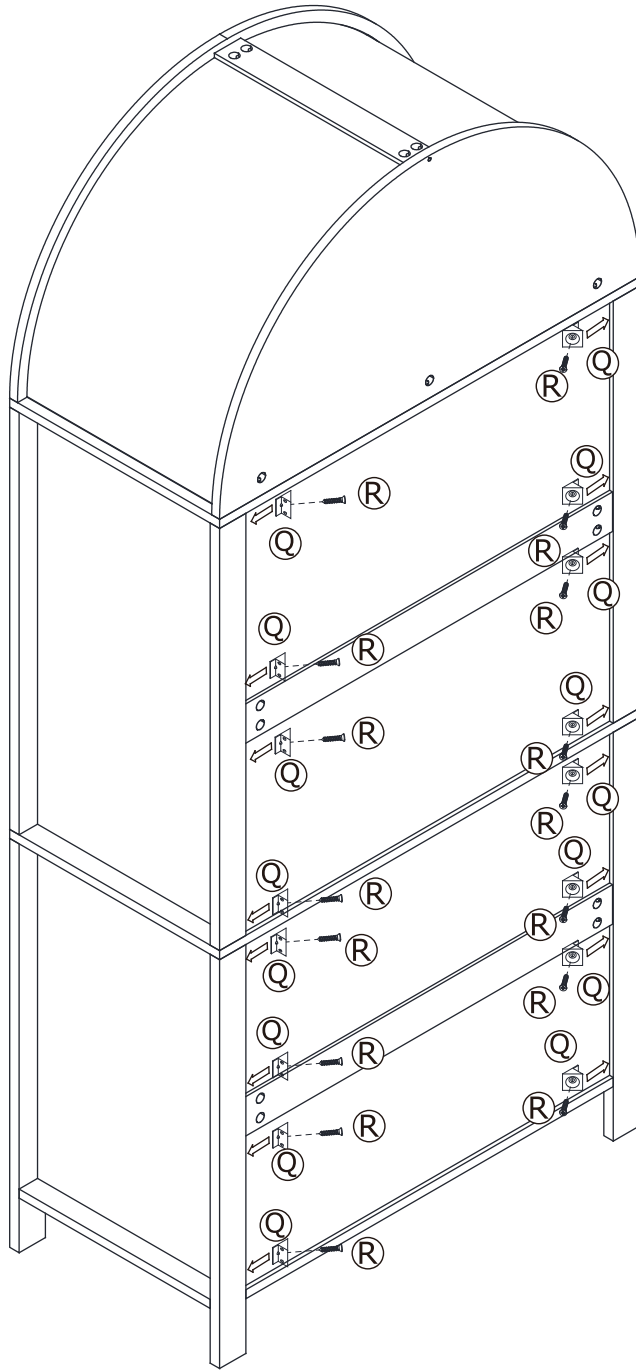
Ⓣ		x2
ⓔ		x4
ⓙ		x8
Ⓤ		x92



Step 26



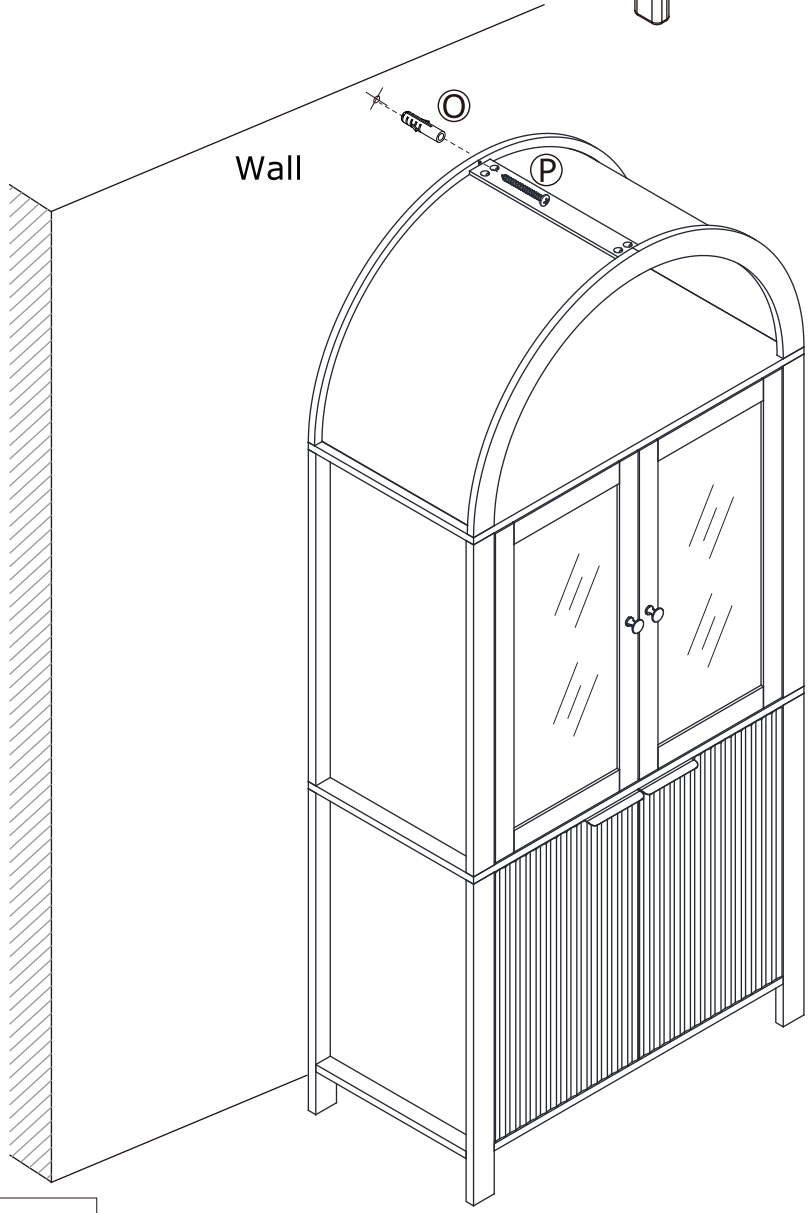
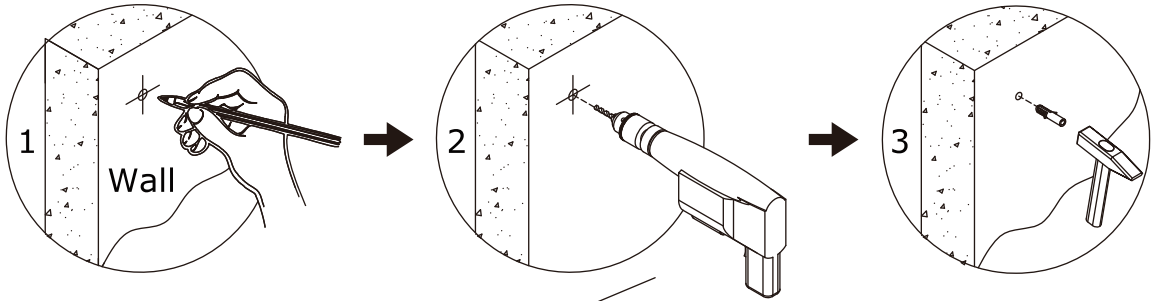
- | | | |
|-----|--|-----|
| (F) | | x2 |
| (G) | | x2 |
| (H) | | x4 |
| (I) | | x24 |



Step 27



- | | | |
|---|---|-----|
| Q |  | x16 |
| R |  | x16 |

Step 28



- | | | |
|---|---|----|
| ⓪ |  | x1 |
| Ⓟ |  | x1 |