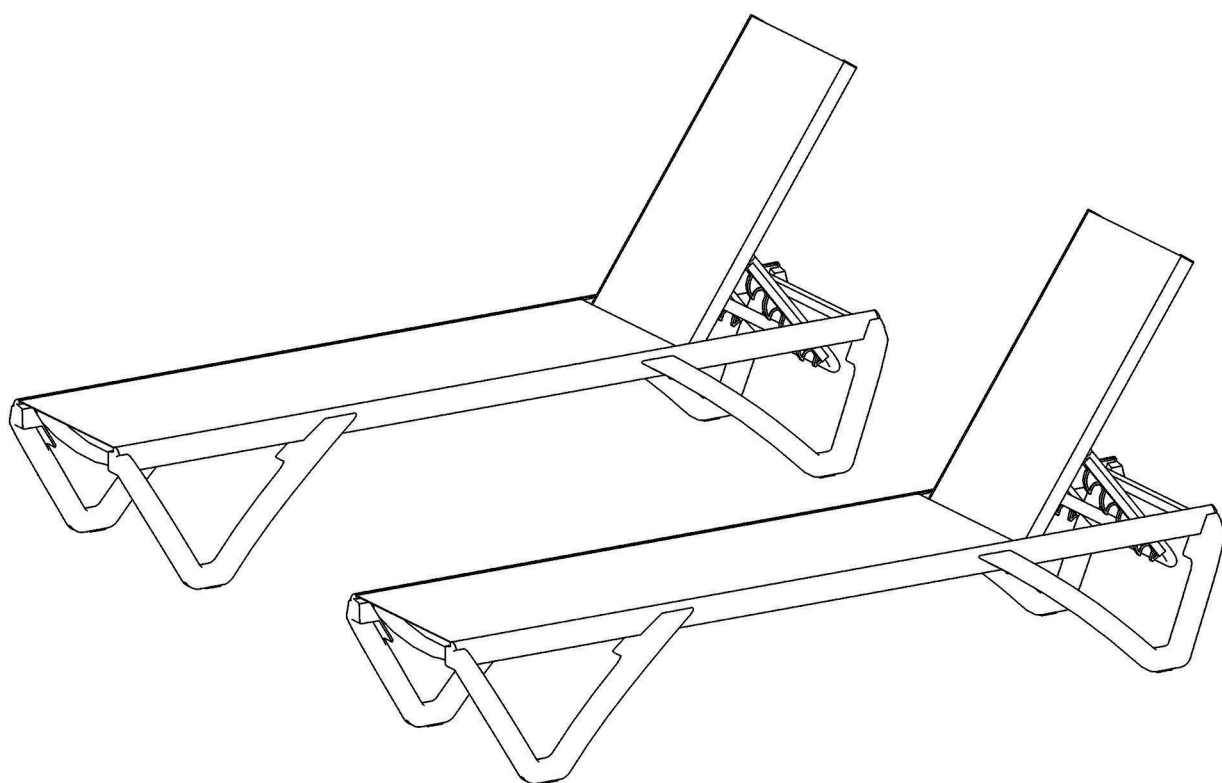
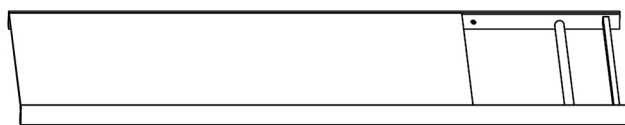


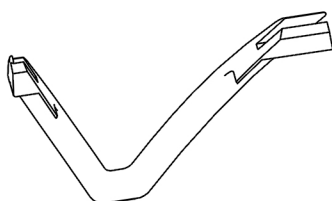
ASSEMBLY MANUAL



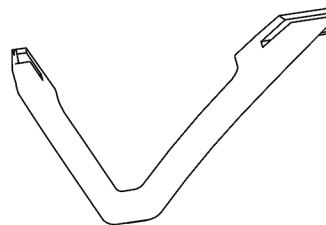
A 2X Main Seat Frame



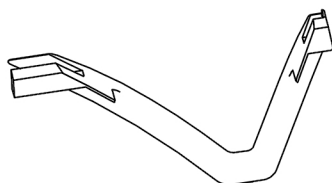
B 2X Leg



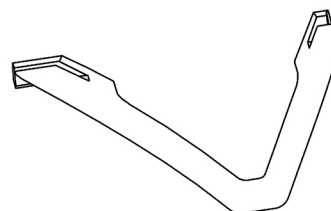
C 2X Leg



D 2X Leg



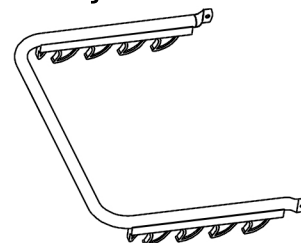
E 2X Leg



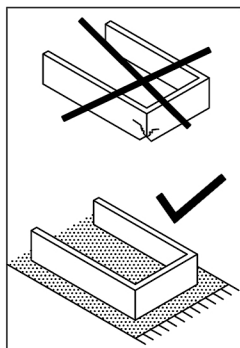
F 2X Back



G 2X Adjustment Tube



Please assemble the lounge chair on the carton or carpet to avoid scratch.



H 24X Bolts



M6X30

J 4X Bolts



M6X35

K 4X Bolts

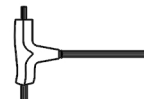


M6X20

M 4X Plastic Cylinder

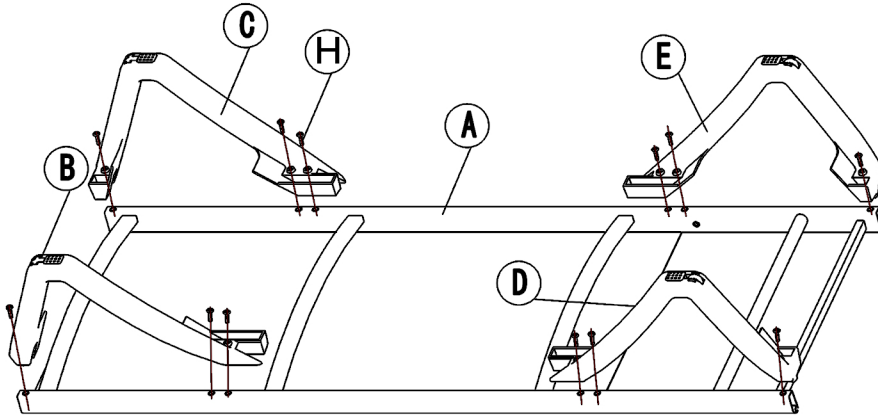


N 1X Allen Wrench

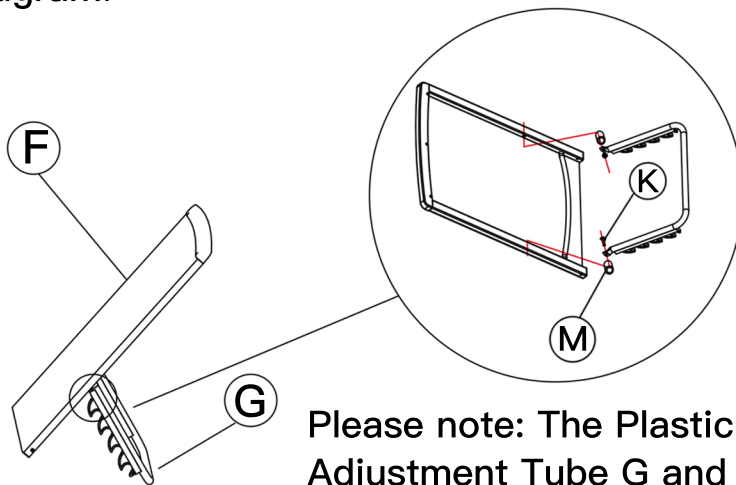


! Warm Tip: Please don't tighten screws before finish assemble.

Step 1: Fix 4 legs (Parts B,C, D, E) to Main Seat Frame A separately using 12X Bolts H (M6x30) as shown in diagram.



Step 2: Link Adjustment Tube G to Back F using Bolts K (M6x20) as shown in diagram.



Please note: The Plastic Cylinder M must be between Adjustment Tube G and Back F.

Step 3: Connect Back F to Main Seat Frame A using Bolts J (M6x35) as shown in diagram.

