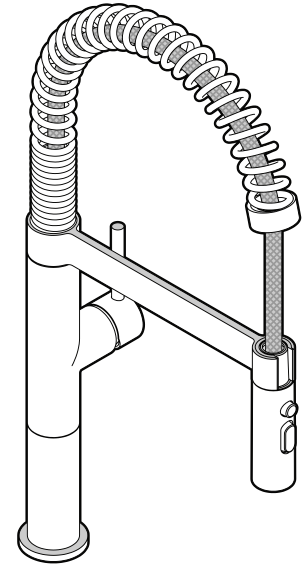


VIGO Edison Single Handle Pull-Down PressureSpray™ Kitchen Faucet VG02052

PRODUCT FEATURES

- 360° swivel spout
- 1.8 gpm flow rate
- Single-hole installation
- Designed in NYC
- PressureSpray™ delivers powerful water pressure and thorough rinsing
- Sedal ceramic disc cartridge tested for 500,000 uses
- Ceramic disc valve tested for a lifetime of use
- FinishPlated™ ensures that the hardware finish is consistent throughout the faucet.
- Dual-action, pull-down spray head is extendable up to 25"
- All mounting hardware and hot/cold waterlines included
- EZInstall™ makes installing the single-hole kitchen faucet easy
- EternalSeal™ is an expertly tested ceramic cartridge that prevents leaks and dripping
- Solid brass construction makes this faucet durable and easy-to-clean
- Smart handle lever design allows for tighter space installation
- VIGO finishes resist corrosion and tarnishing, exceeding industry durability standards



CODES / STANDARDS



- CEC (Title 20) flow rate compliant (A 1.8GPM flow rate stays within the CEC (Title 20) compliancy.)
- cUPC, NSF-61, NSF-372, CALGreen and AB1953 certified by IAPMO
- ADA compliant
- All VIGO Kitchen Faucets have a Limited Lifetime Warranty*

PACKING LIST

- Faucet Assembly
- Allen Key
- Two Metal Braided
- Plastic Holder

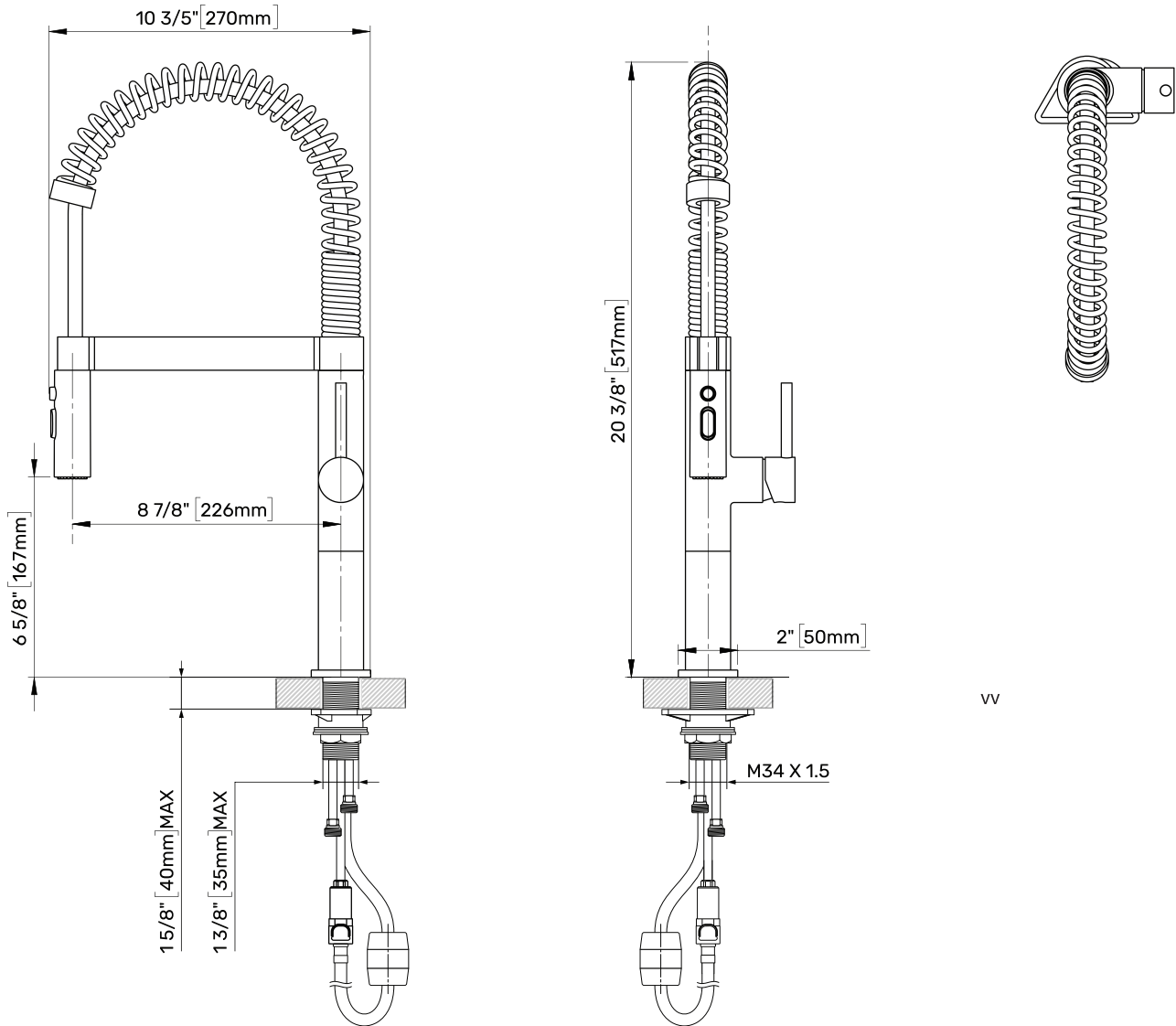
MATERIAL

- Housing material: Brass
- Valve material: Ceramic
- VIGO 7-layer coated finish resists corrosion and tarnish, maintaining a pristine look for years to come.

* See website for detailed warranty information.

VIGO Edison Single Handle Pull-Down PressureSpray™ Kitchen Faucet

VG02052



DIMENSIONS			
Faucet height	20 3/8" (517mm)	Pressure	60 psi
Spout reach	8 7/8" (226mm)	Spout Type	Pull-down
Hose length	25" (635mm)	Spray mode	Spray & Stream
Spout swivel	360°	Water supply connection	Standard US plumbing 3/8" connections
Flow rate	1.8 gal/min		
Valve body	Brass	Installation compatibility	1-, 2-, 3- and 4-hole sink

NOTE
Install this product according to the installation instructions.
VIGO reserves the right to make revisions without prior notice.
For the most updated specifications, please go to:
www.vigoindustries.com
or email us at:
support@vigoindustries.com

QUESTIONS?
For installation help, missing or replacement parts, please contact our product specialist for consultation.
+1 866-591-7792 (Option 2) (9:30am - 5:30pm EST) techmail@vigoindustries.com

CONNECT WITH US
vigoindustries