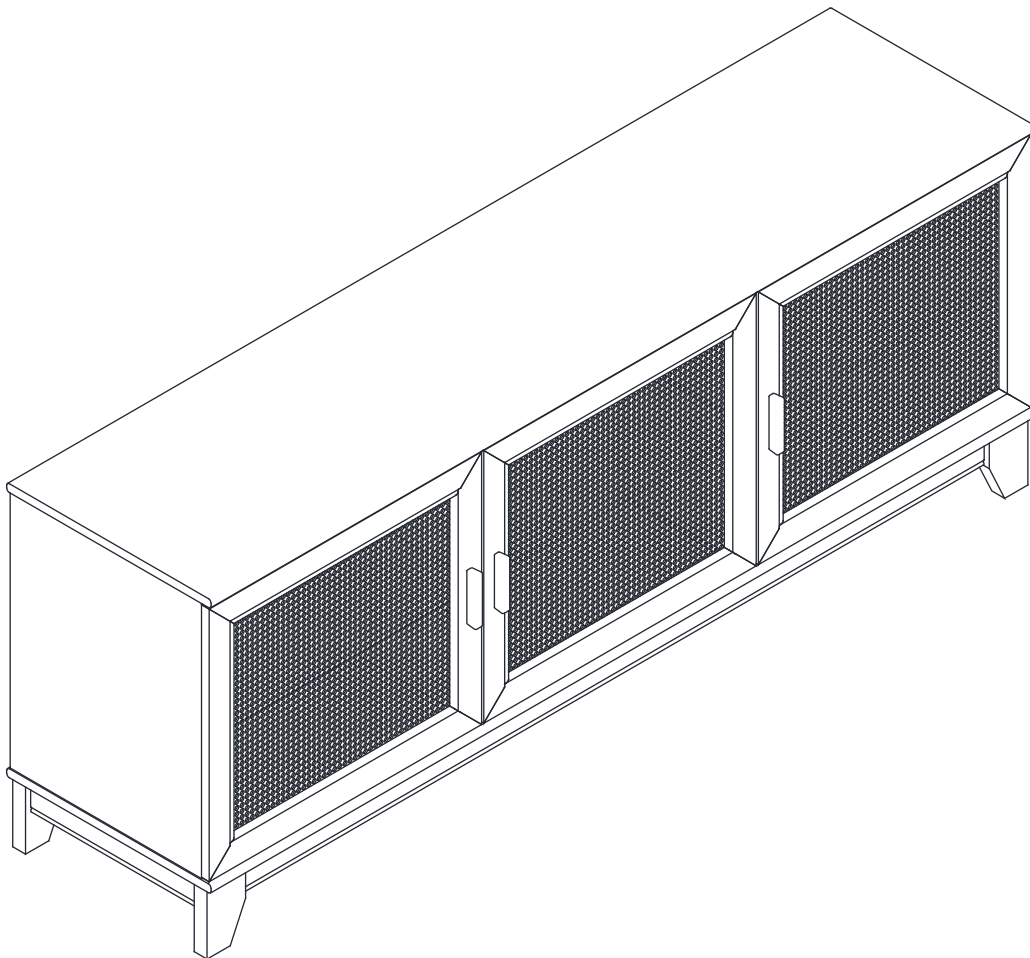




MANHATTAN
COMFORT

Sheridan TV Stand TV-3GLF



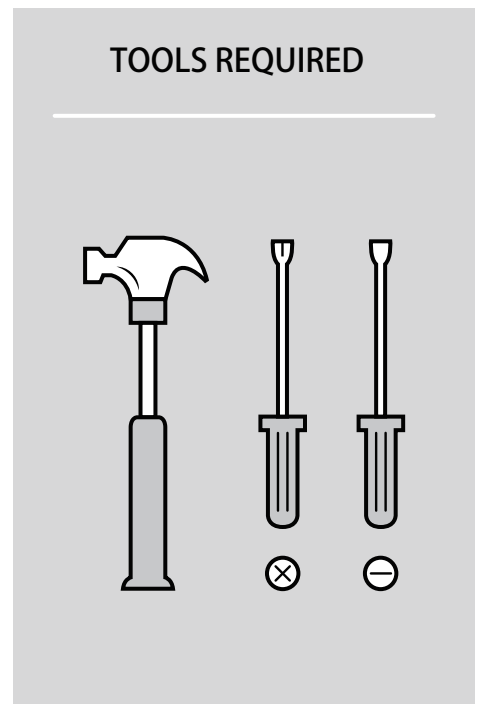
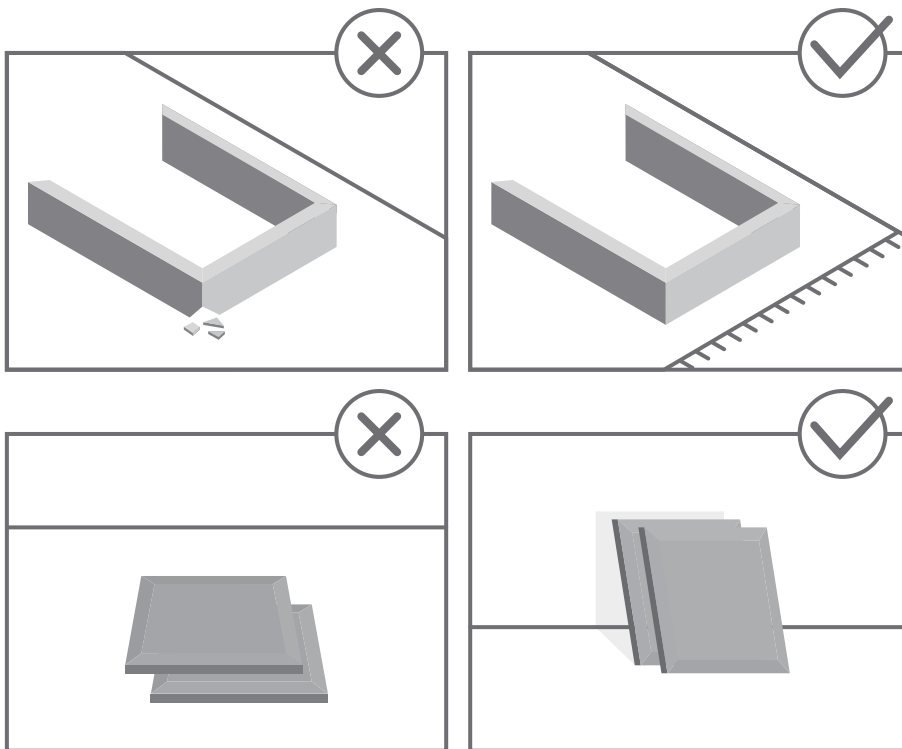


STOP!

Before beginning the assembly process, ensure all boxes and parts have been delivered.

FOR BEST RESULTS:

- Do not throw away packaging materials until assembly is complete.
- Assemble item on a soft surface, such as cardboard or carpet, to protect finish.
- Proper assembly requires two people.



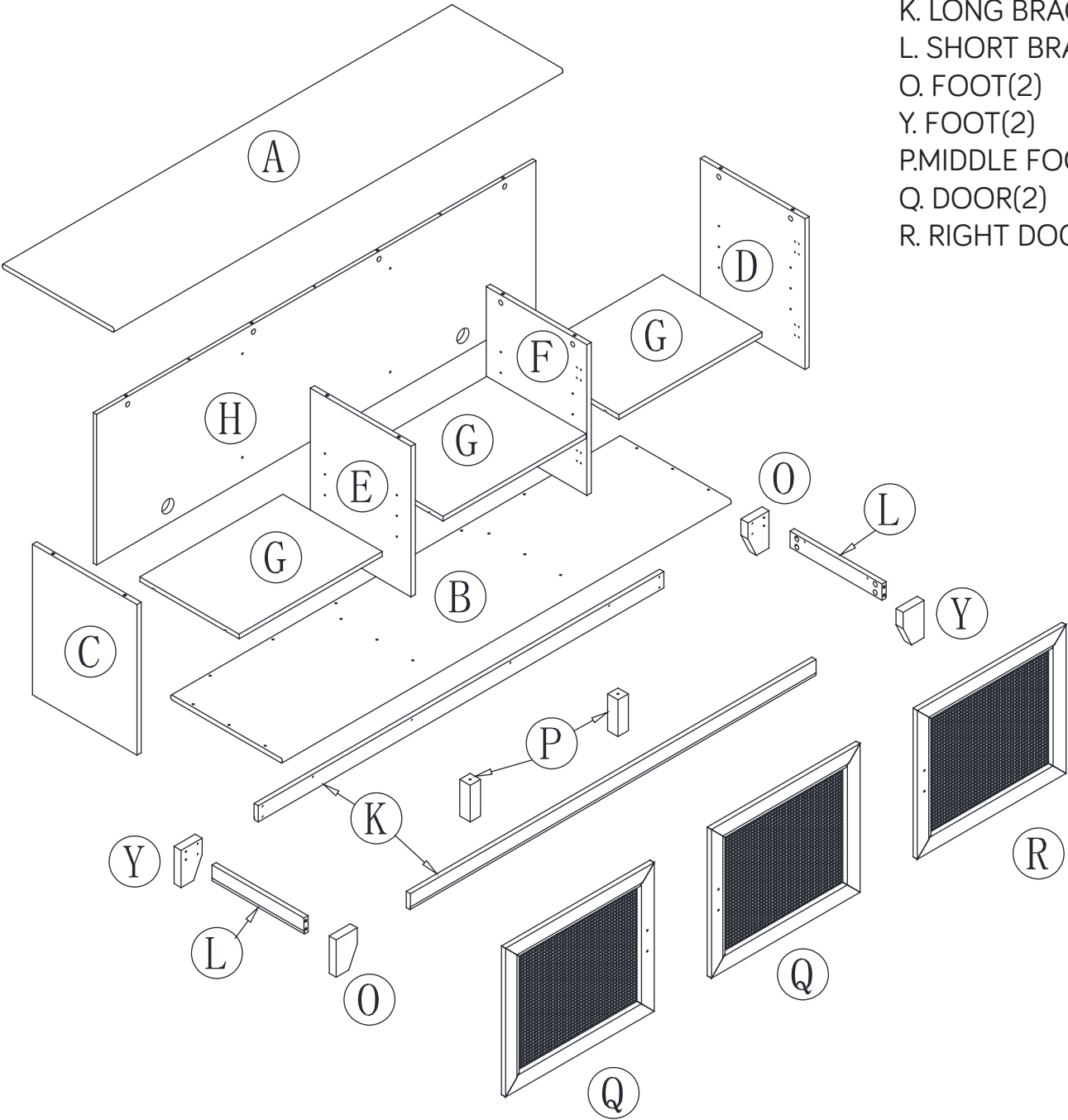
View our assembly video online:
WWW.MANHATTANCOMFORT.COM



Stuck? Question? We are here to help.
tel: 908-888-0818
e-mail: help@manhattancomfort.com

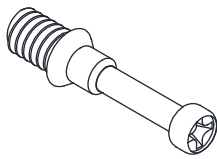
Included in this package:

- A. TOP(1)
- B. BOTTOM(1)
- C. LEFT END(1)
- D. RIGHT END(1)
- E. LEFT UPRIGHT(1)
- F. RIGHT UPRIGHT(1)
- G. SHELF(3)
- H. BACK(1)
- K. LONG BRACE(2)
- L. SHORT BRACE(2)
- O. FOOT(2)
- Y. FOOT(2)
- P.MIDDLE FOOT(2)
- Q. DOOR(2)
- R. RIGHT DOOR(1)

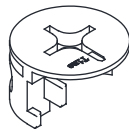


Hardware Identification

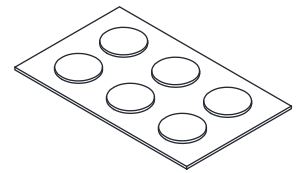
① CAM SCREW - 20pcs



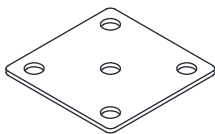
② HIDDEN CAM - 20pcs



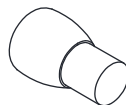
③ APPLIQUE CARD - 4pcs



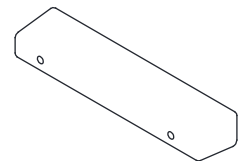
④ METAL PLATE - 4pcs



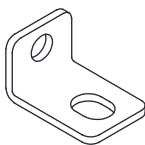
⑤ METAL PIN - 12pcs



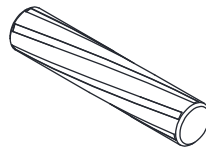
⑥ PULL - 3pcs



⑦ BRACKET - 12pcs



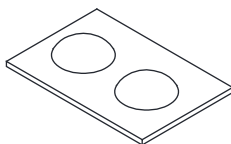
⑧ WOOD DOWEL - 10pcs



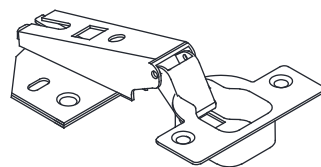
⑨ L-WRENCH - 1pc



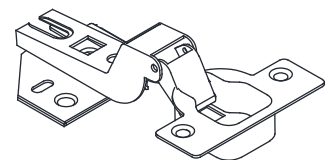
⑩ BUMPER CARD - 2pcs



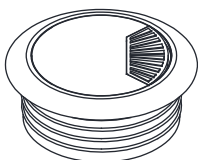
⑪ HINGE - 4pcs



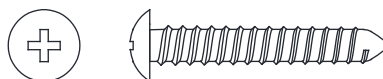
⑫ HINGE - 2pcs



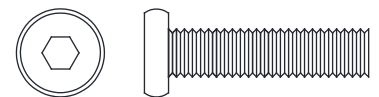
⑬ GROMMET WITH CAP - 3pcs



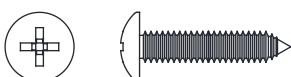
⑬ PAN HEAD SCREW
M5*30mm - 16PCS



⑭ HEX HEAD SCREW
M6*25MM - 2pcs



⑮ PAN HEAD SCREW
M4*20mm - 6PCS



⑯ FLAT HEAD SCREW
M4*12mm - 36pcs



⑰ PAN HEAD SCREW
M4*12MM - 40pcs





MANHATTAN
COMFORT

WARRANTY POLICY

All Manhattan Comfort furniture products are warranted, to the original purchaser at the time of purchase and for a period of 30 days thereafter.

Our warranty is limited to new products purchased in factory sealed cartons. This warranty is valid in the United States of America and Canada.

In order to provide you with timely assistance, please thoroughly inspect your furniture for missing or defective parts immediately after opening the carton.

Manhattan Comfort offers a 30-day parts replacement warranty on all items.

Our furniture products are not intended for outdoor use.

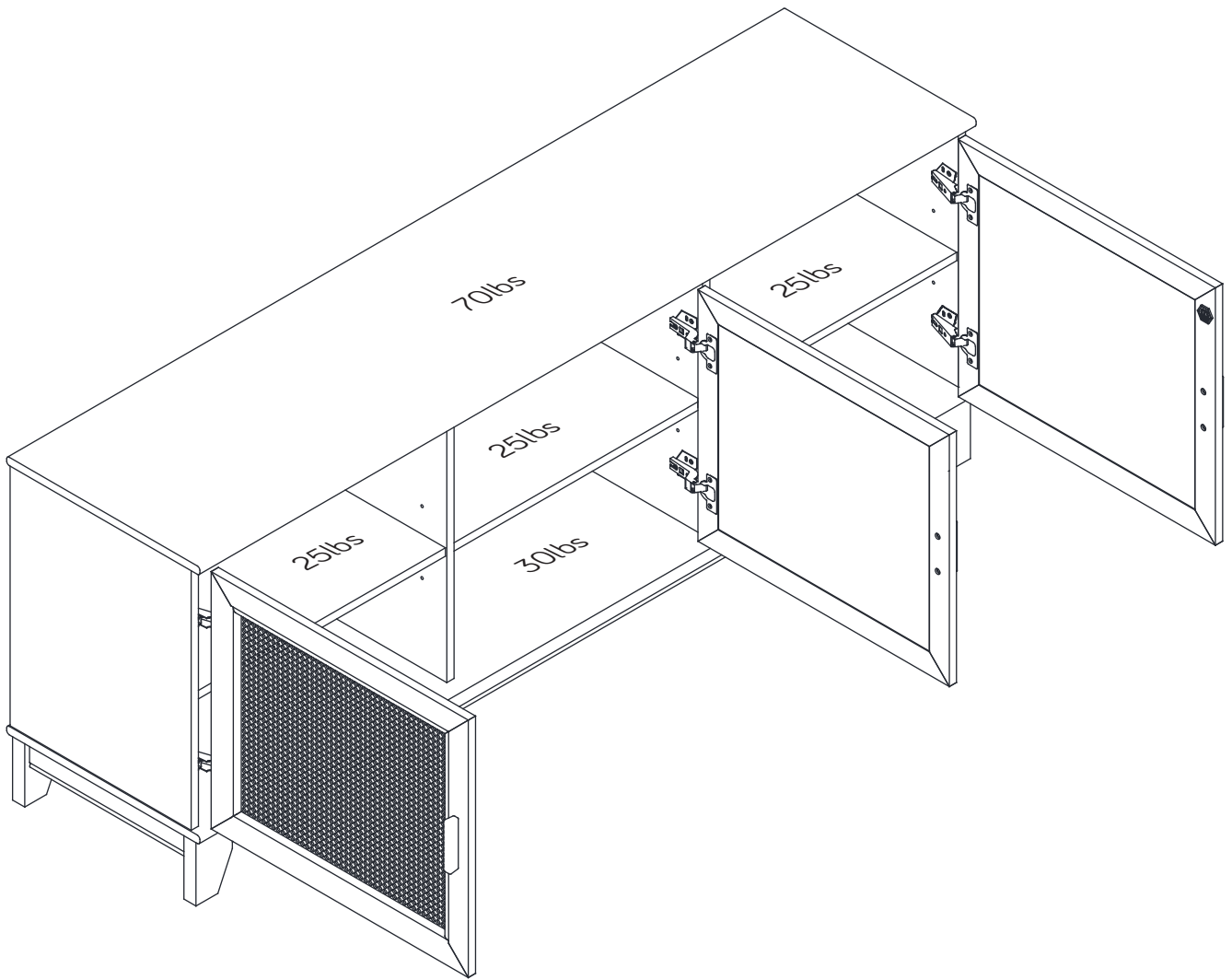
THE WARRANTY DOES NOT COVER:

- Defects/damages by improper assembly or disassembly.
- Defects/damages caused by shipping. Claims for damage during transit should be placed immediately to the transportation company.
- Defects/damages caused by inappropriate use of the furniture.



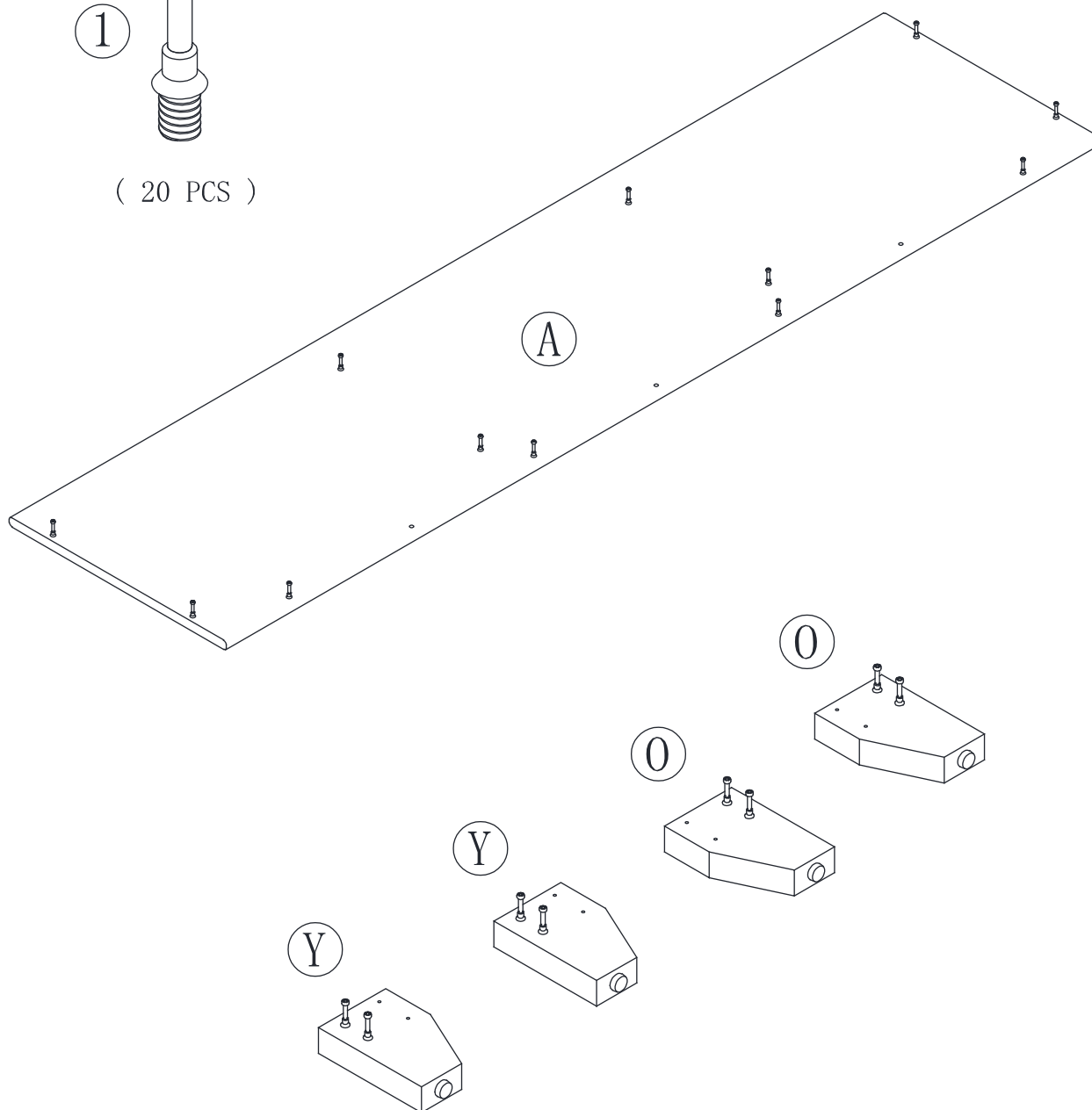
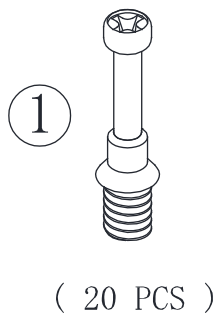
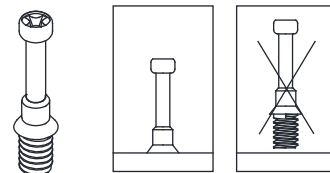
319 Ridge Rd. Dayton, NJ 08810

908-888-0818



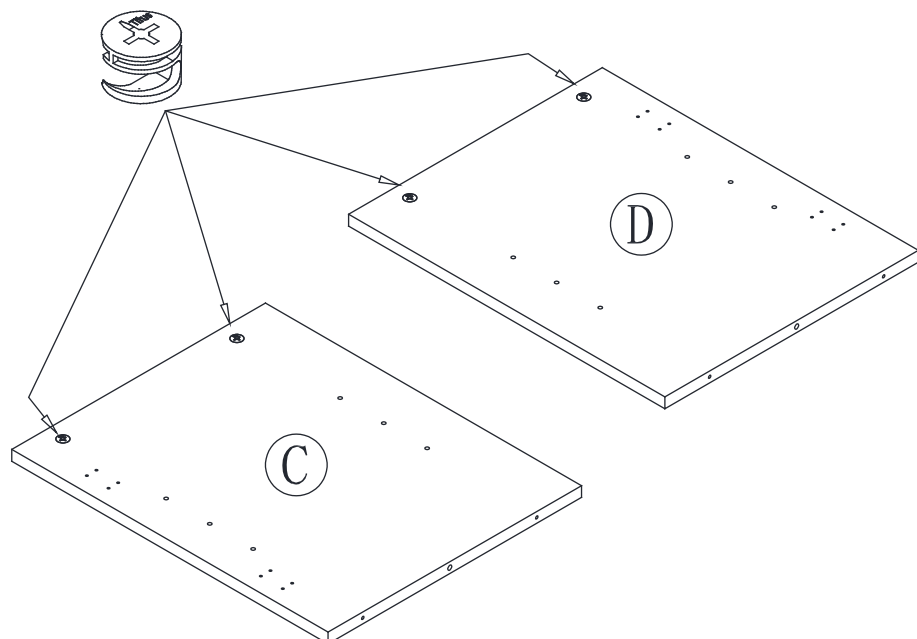
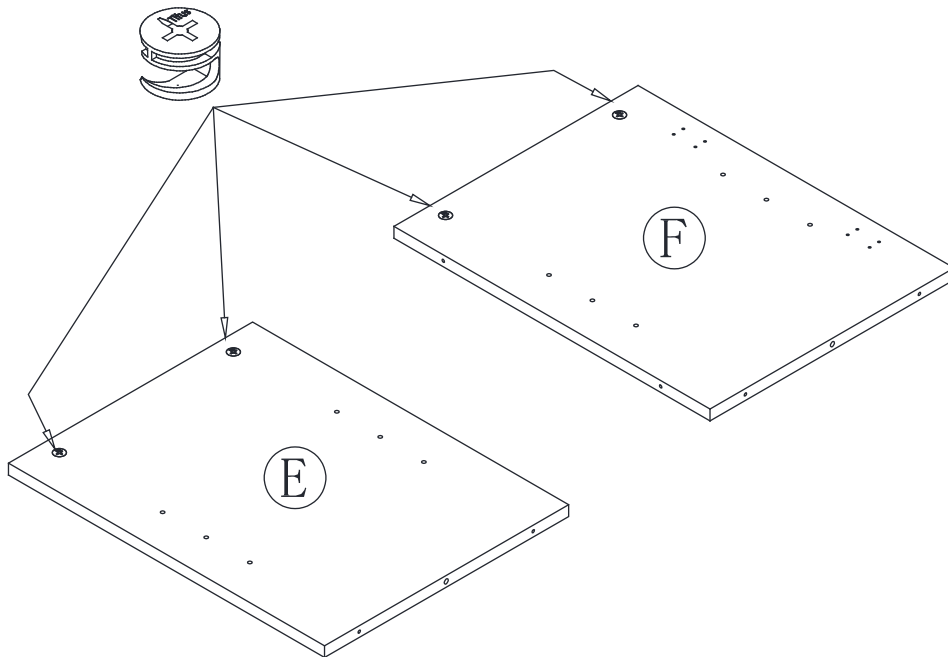
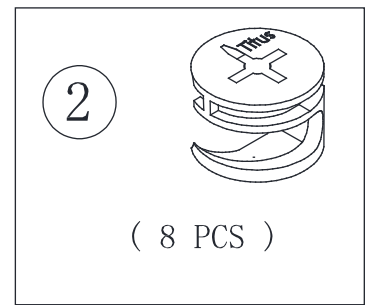
Step 1

- ◆ Assemble your unit on a carpeted floor or on the empty carton to avoid scratching your unit or the floor.
- ◆ Turn twenty CAM SCREWS (1) into the exact holes shown in the TOP(A) and FEET (O and Y)



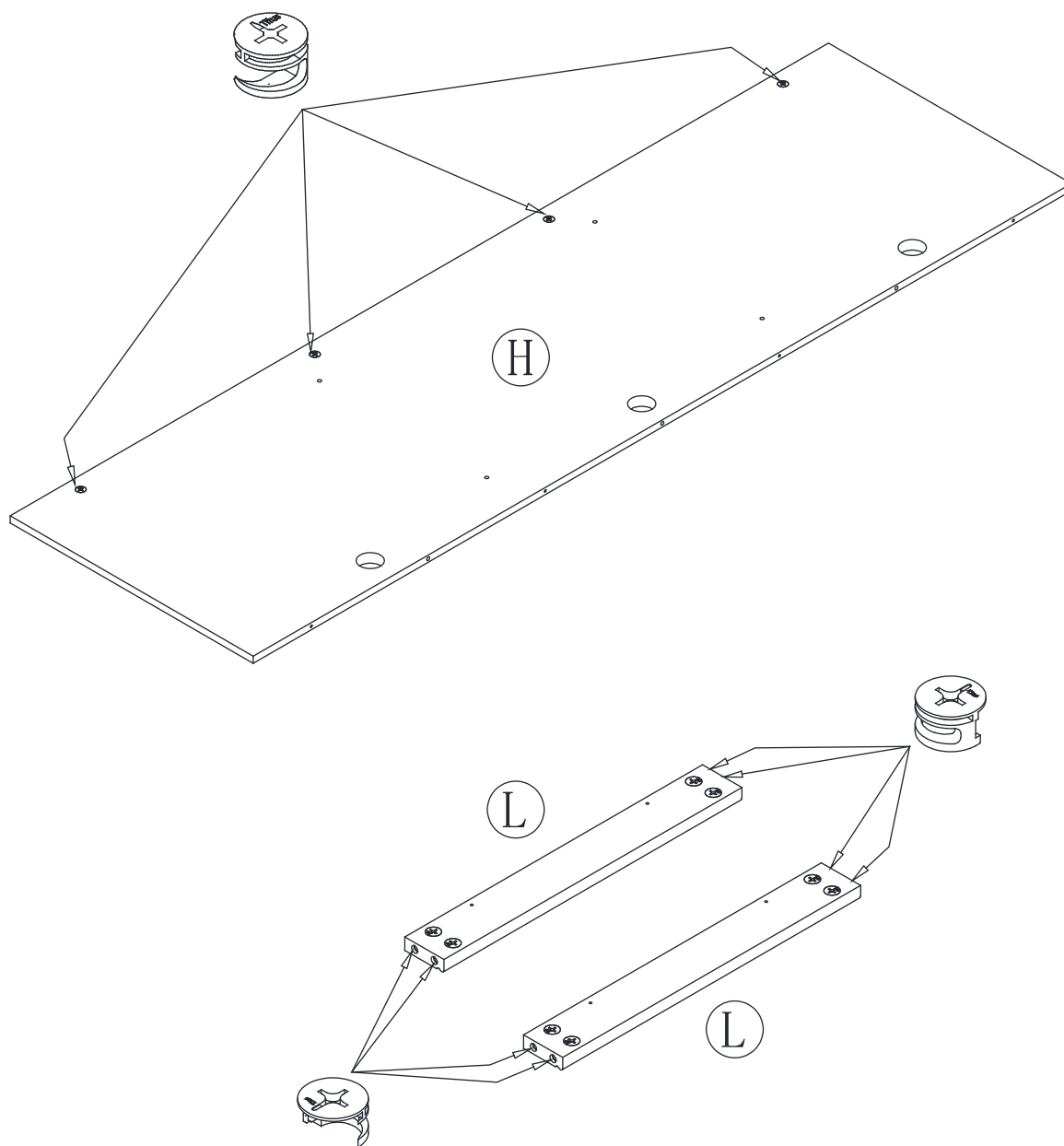
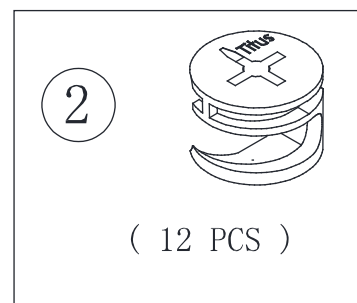
Step 2

◆ Push eight HIDDEN CAMS (2) into the ENDS (C, D, E and F).



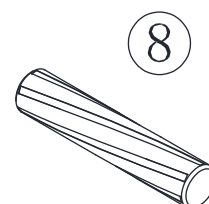
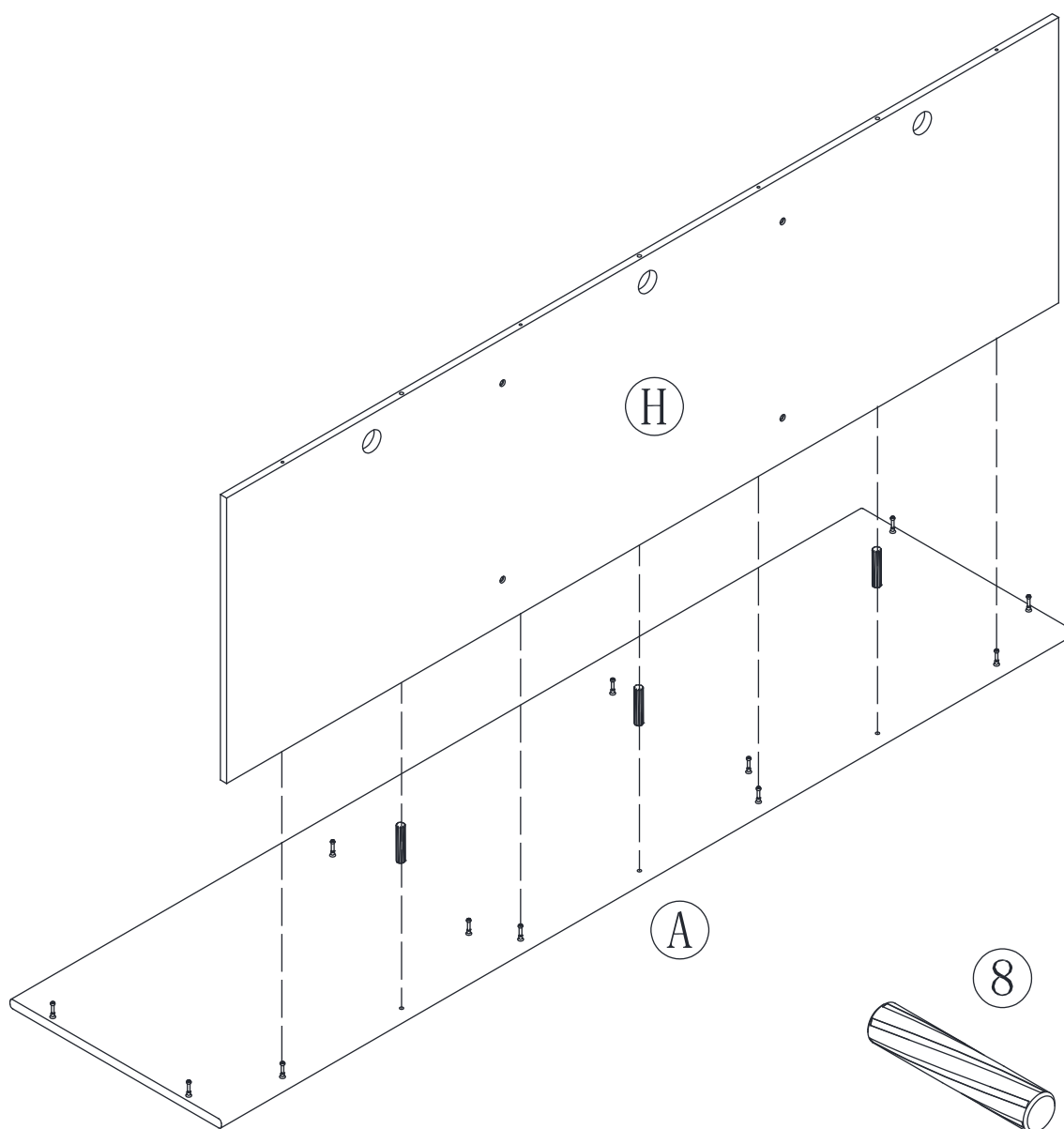
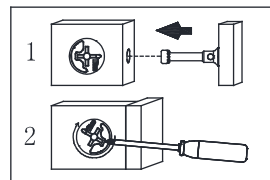
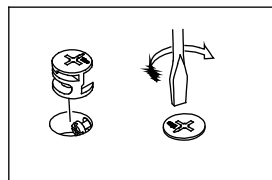
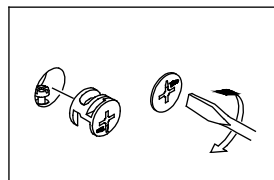
Step 3

- ◆ Push twelve HIDDEN CAMS (2) into the BACK(H) and SHORT BRACE(L).



Step 4

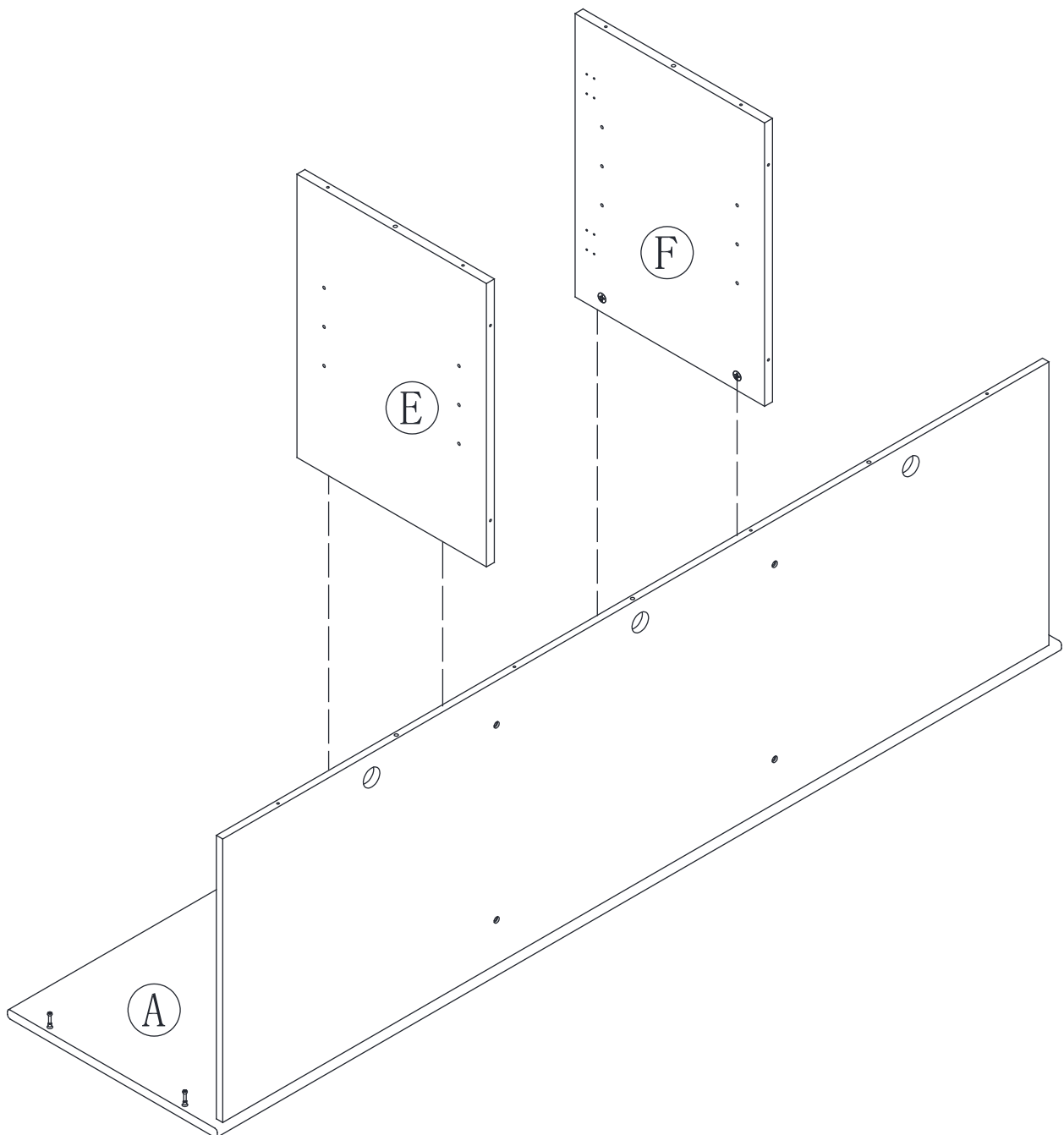
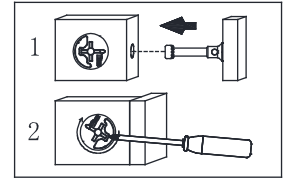
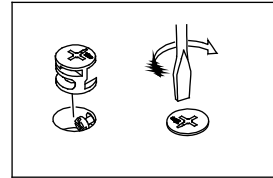
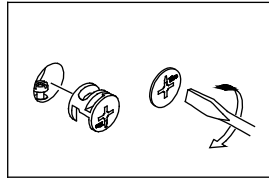
- ◆ Insert three WOOD DOWEL (8) into the TOP (A).
- ◆ Fasten the BACK (H) to the TOP (A), Tighten four HIDDEN CAMS.



(3 PCS)

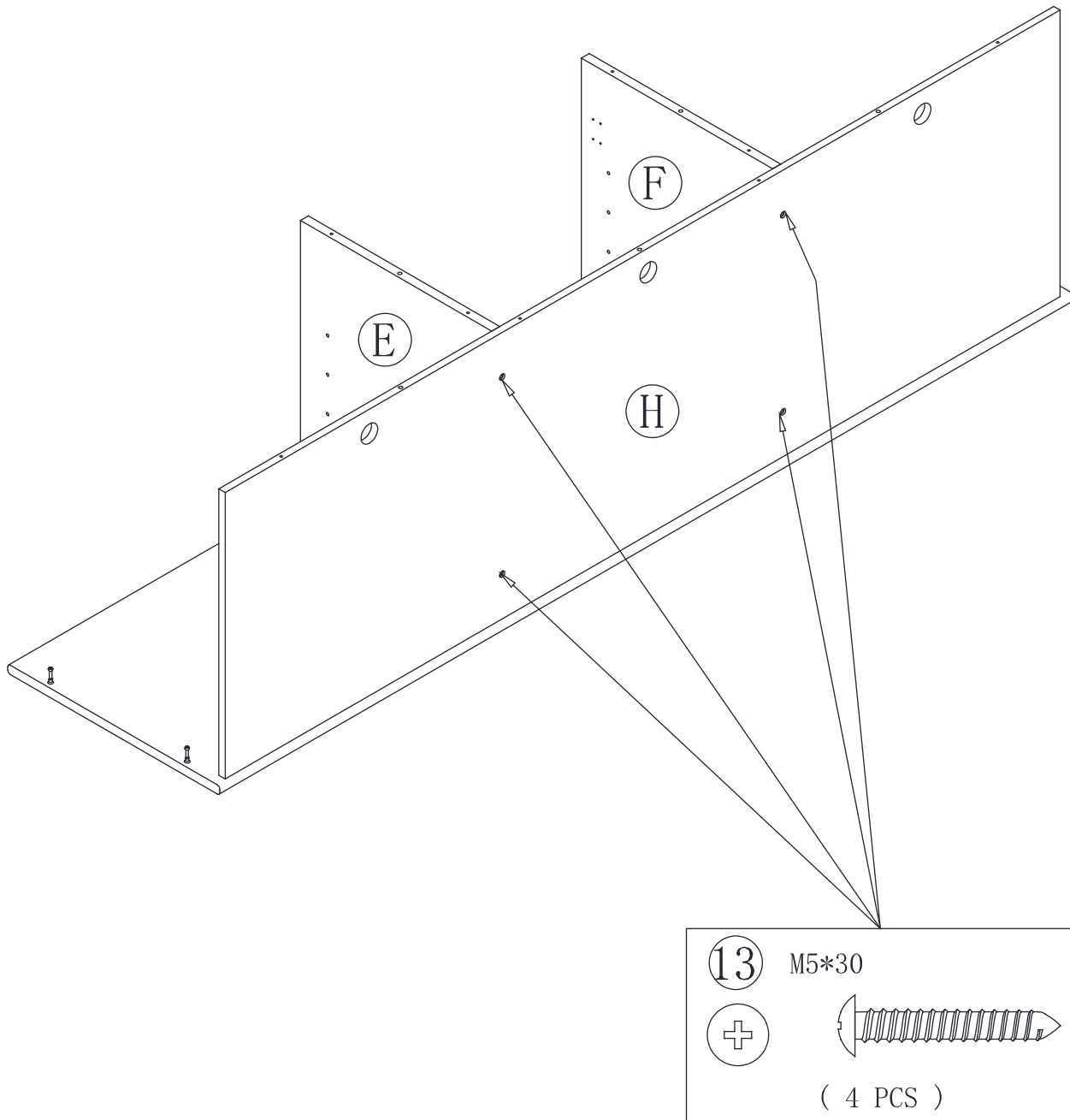
Step 5

◆ Fasten the UPPER RIGHTS (E and F) to the TOP (A). Tighten four HIDDEN CAMS.



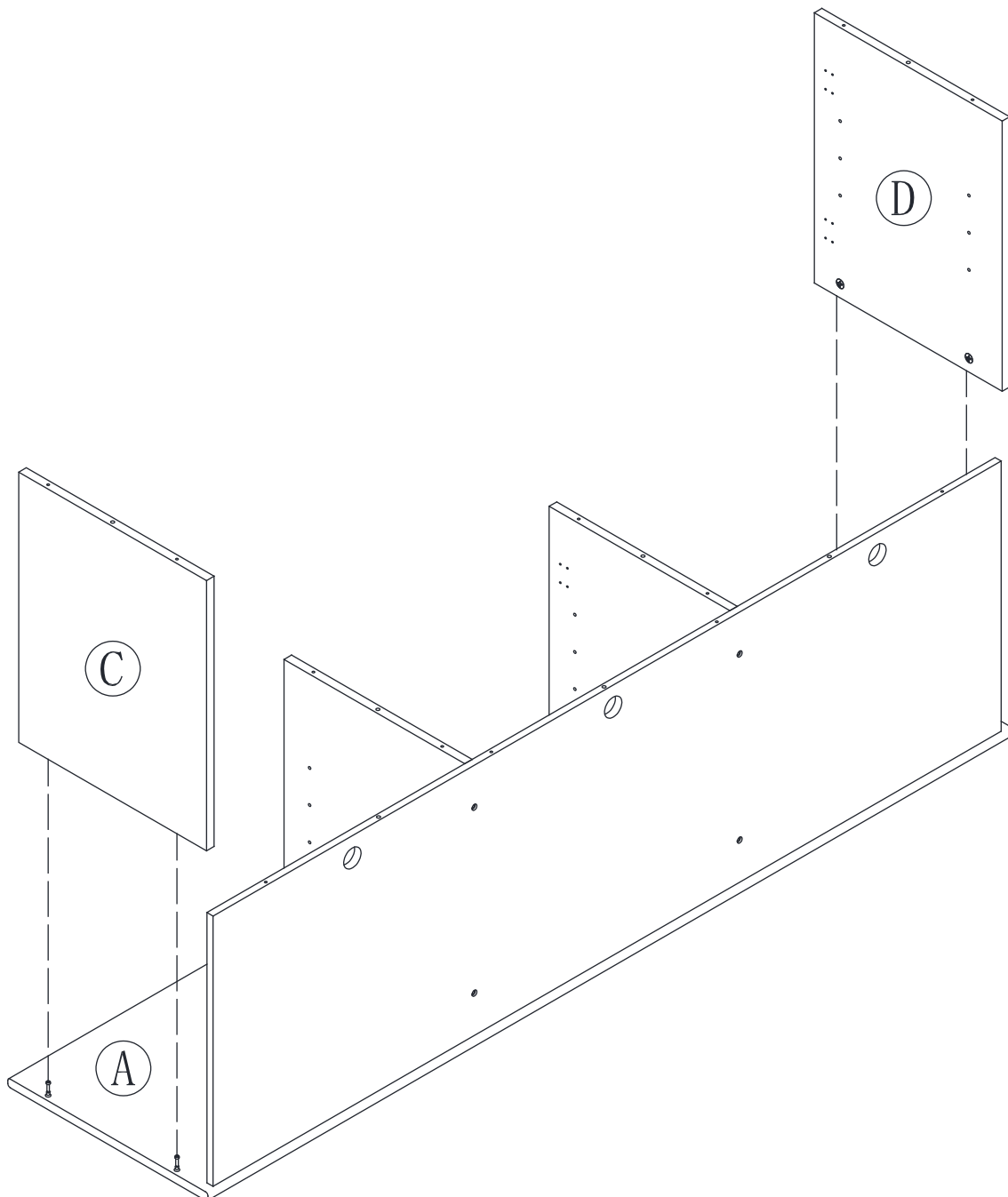
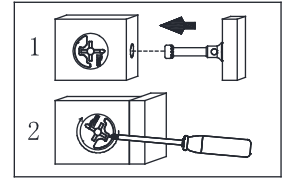
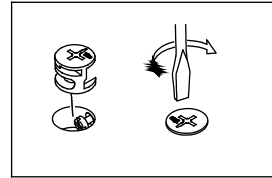
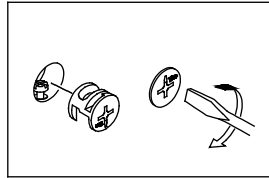
Step 6

- ◆ Fasten the BACK (H) to the UPRIGHTS (E and F). Use four PAN HEAD SCREWS (13).



Step 7

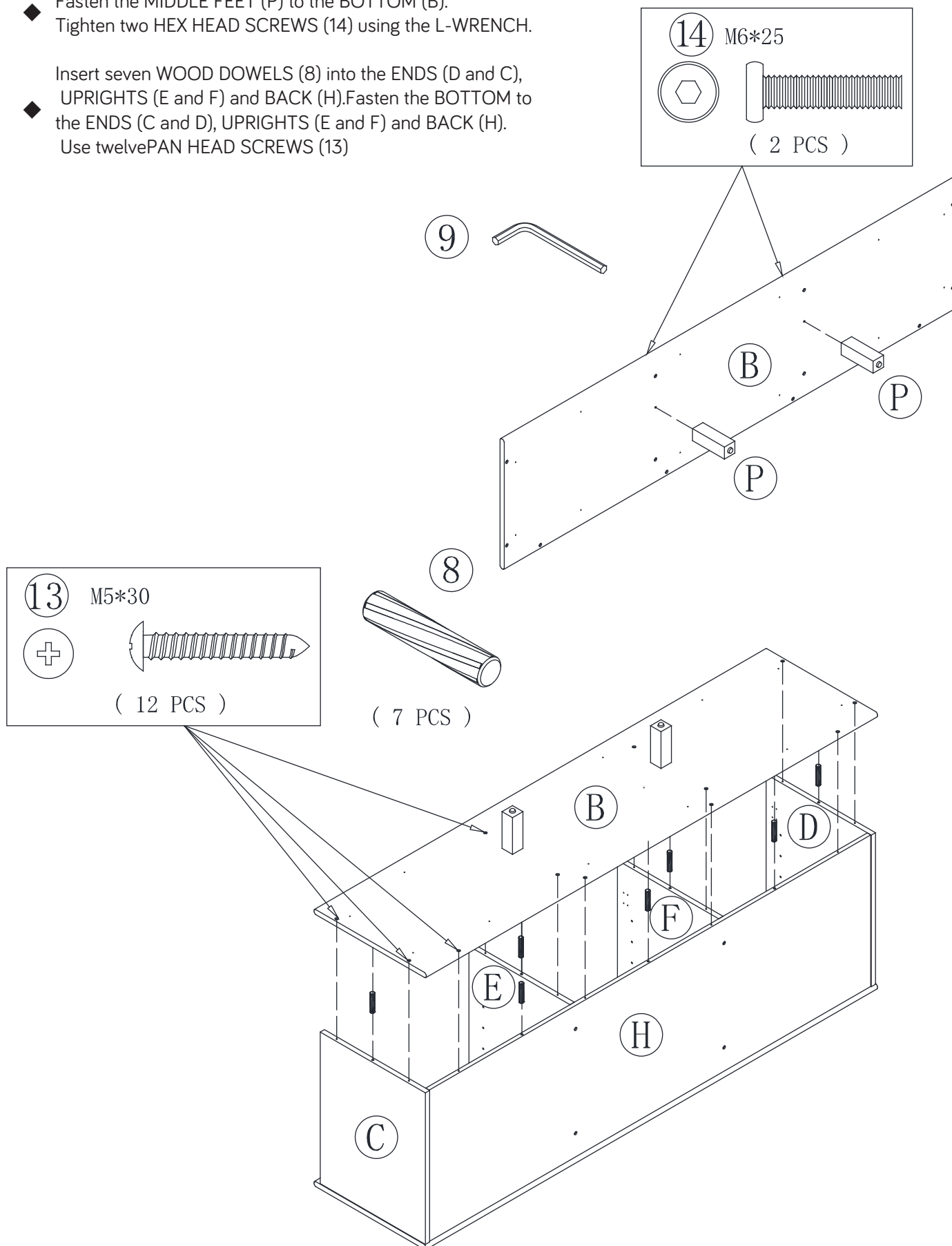
◆ Fasten the ENDS (D and C) to the TOP (A). Tighten four HIDDEN CAMS.



Step 8

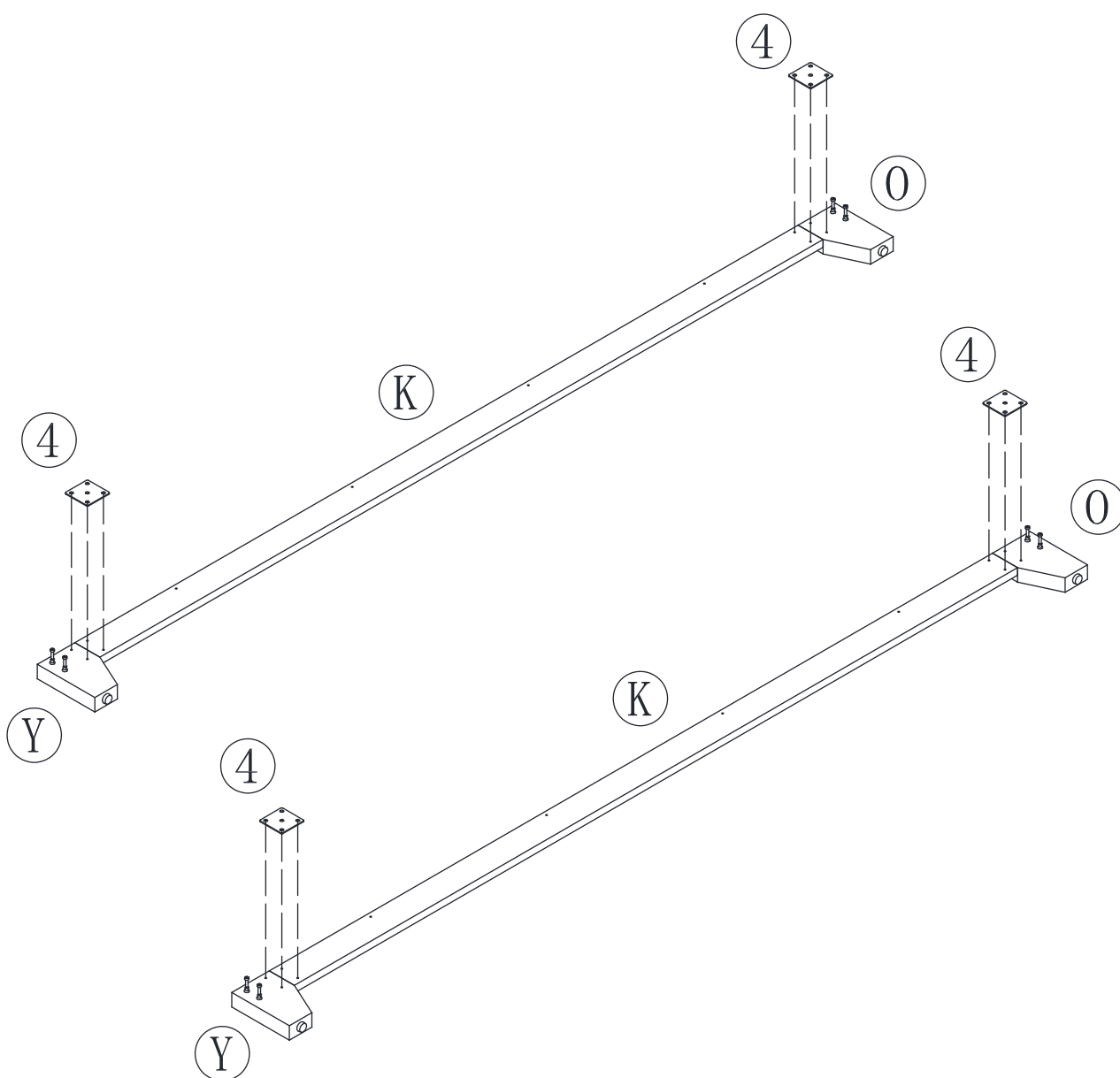
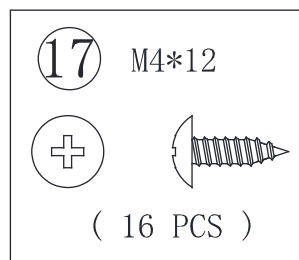
- ◆ Fasten the MIDDLE FEET (P) to the BOTTOM (B).
Tighten two HEX HEAD SCREWS (14) using the L-WRENCH.

- ◆ Insert seven WOOD DOWELS (8) into the ENDS (D and C), UPRIGHTS (E and F) and BACK (H). Fasten the BOTTOM to the ENDS (C and D), UPRIGHTS (E and F) and BACK (H).
Use twelve PAN HEAD SCREWS (13)



Step 9

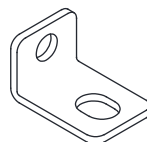
- ◆ Fasten four METAL PLATE (4) to the FOOT (O and Y) and the LONG BRACES (K).
Use sixteen PAN HEAD SCREWS (17).



Step 10

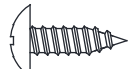
- ◆ Fasten twelve BRACKETS (7) to the LONG BRACES (K) and the SHORT BRACES (L).
Use twelve PAN HEAD SCREWS (17).

7

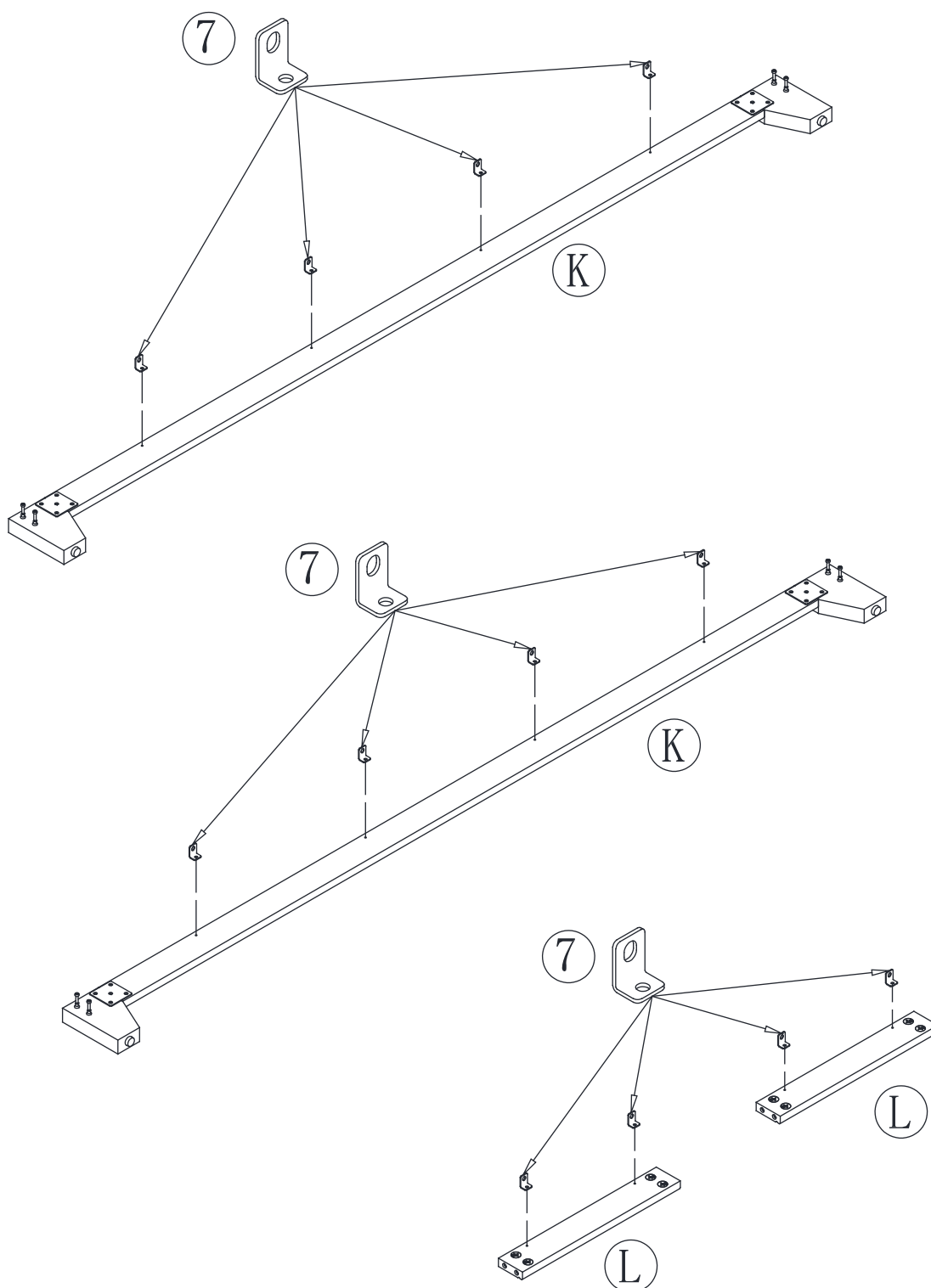


(12 PCS)

17 M4*12

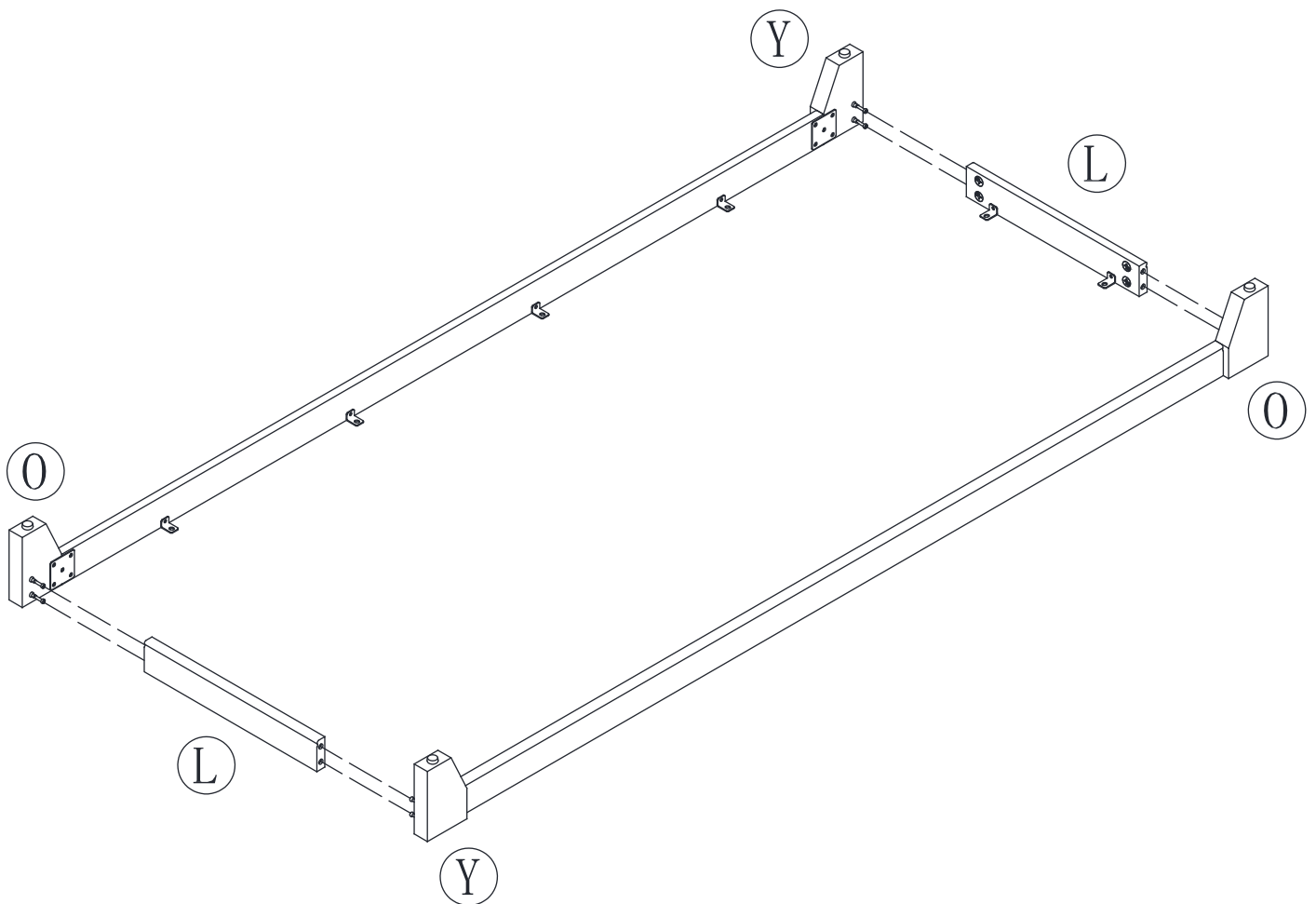
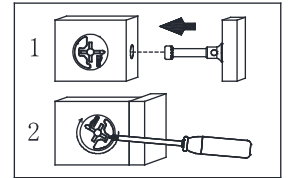
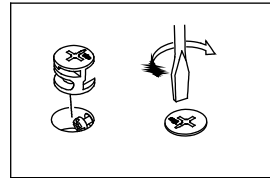
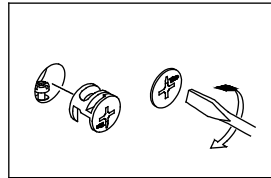


(12 PCS)



Step 11

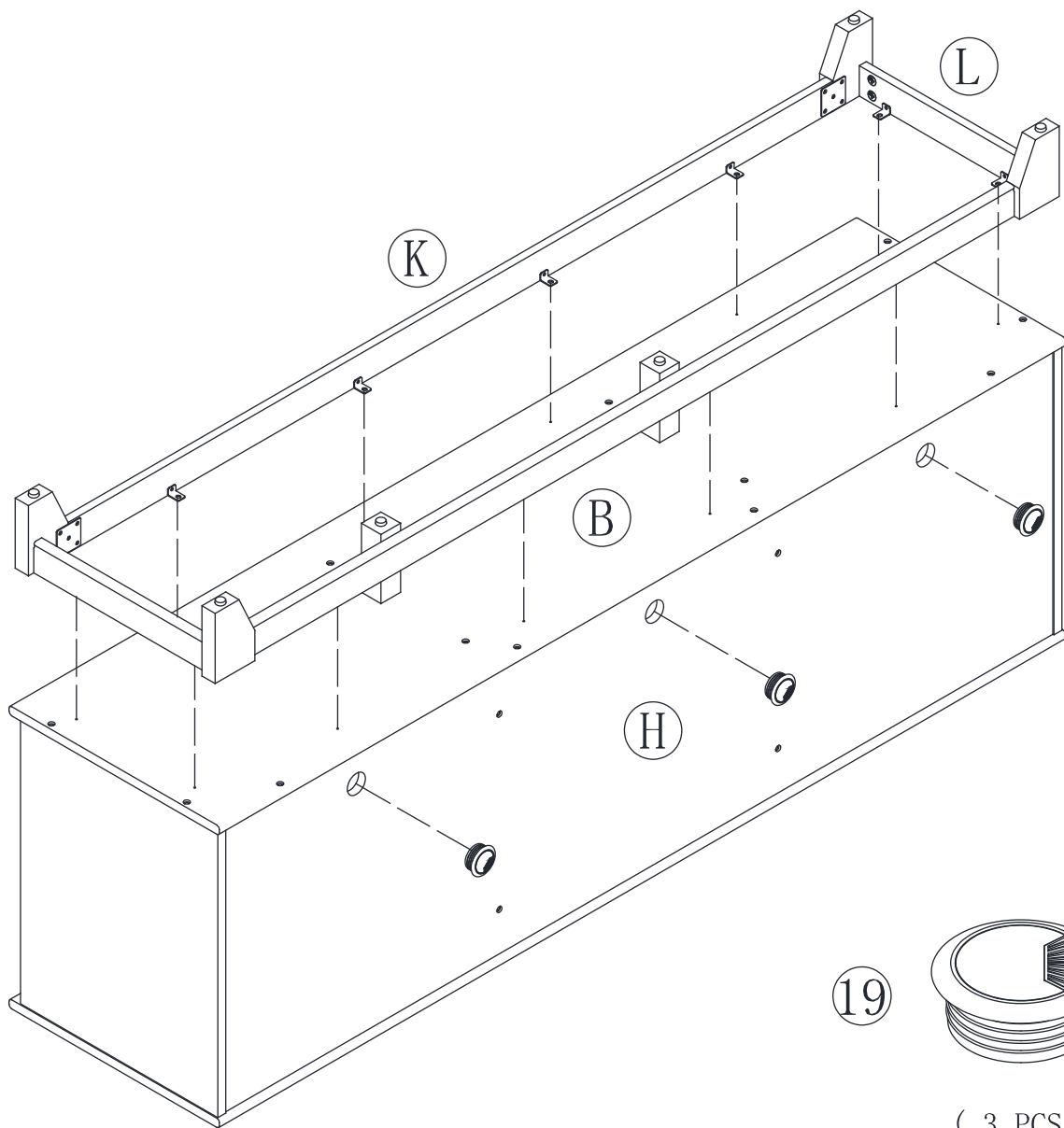
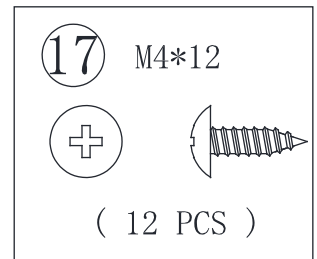
◆ Fasten two SHORT BRACES (L) to the FOOT (Y and O). Tighten eight HIDDEN CAMS.



Step 12

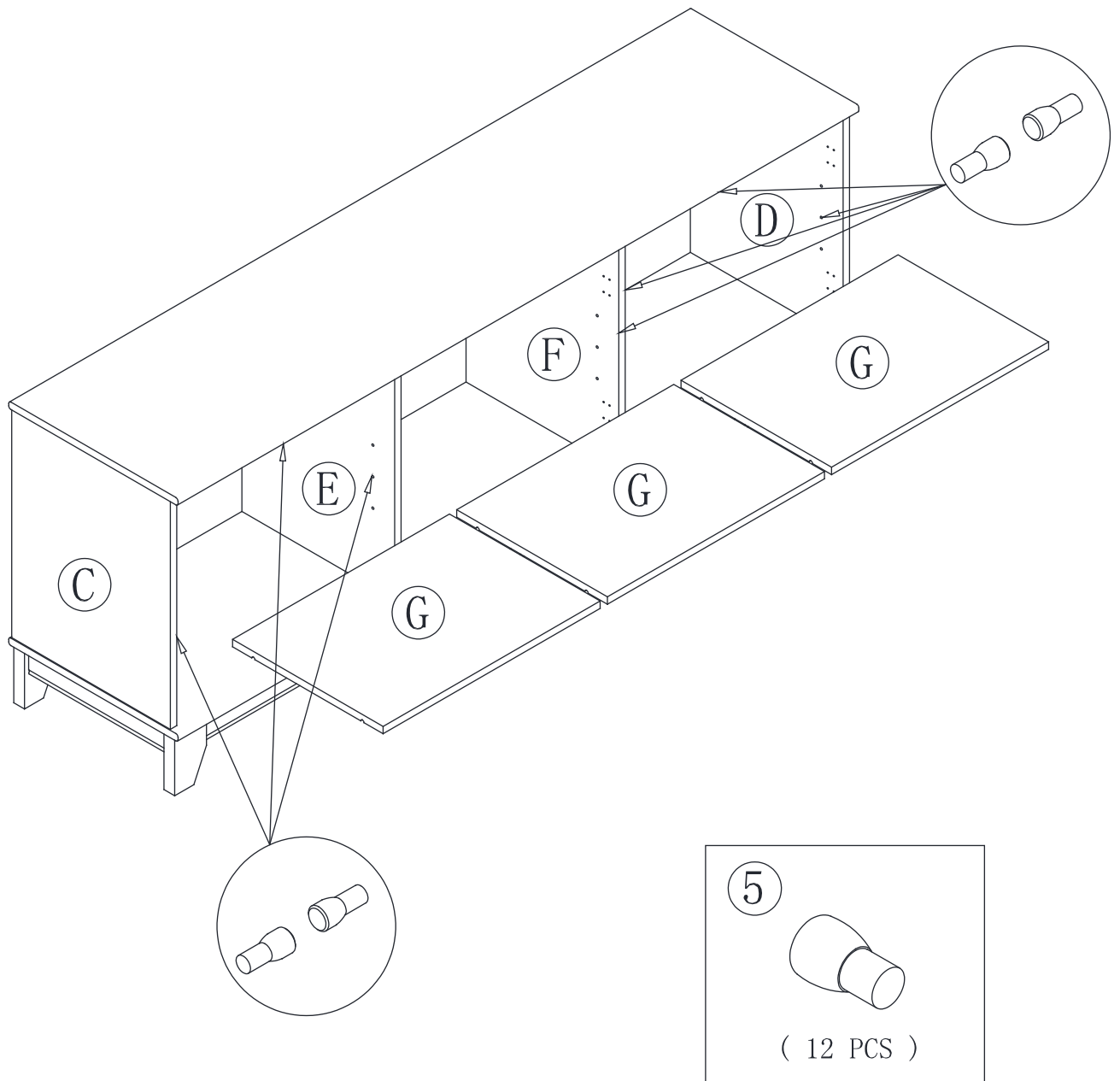
◆ Fasten the BASE to the BOTTOM (B). Use twelve PAN HEAD SCREWS (17).

◆ Push three GROMMETS (19) into the BACK (H).



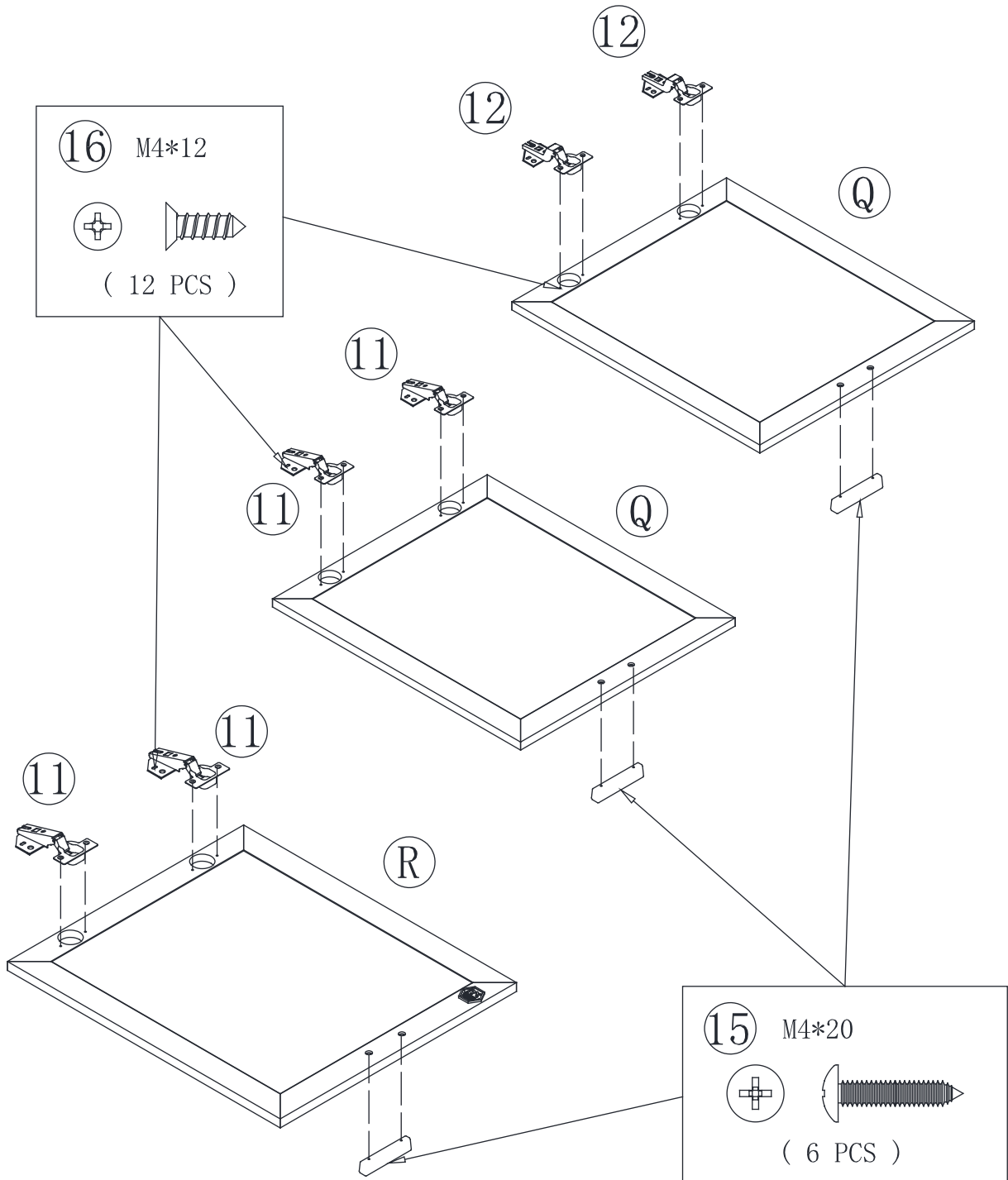
Step 13

- ◆ Insert the METAL PINS (5) into the hole locations of your choice in the ENDS (C and D) and UPRIGHTS (E and F).
- ◆ Set the ADJUSTABLE SHELVES (G) onto the METAL PINS (5).



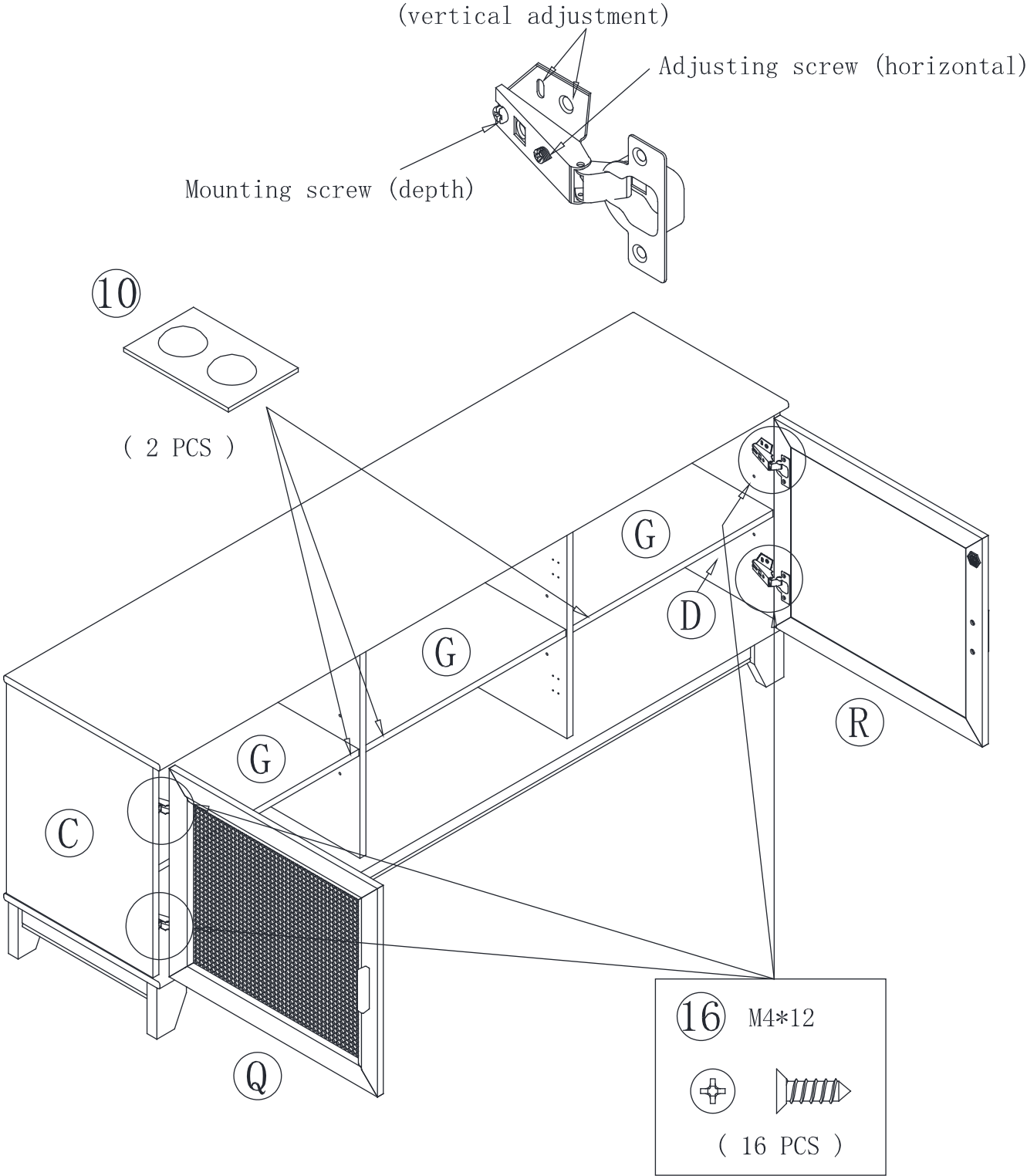
Step 14

- ◆ Fasten the HINGE (12) to the DOOR (Q). Fasten the HINGES (11) to the RIGHT DOOR (R) and LEFT DOOR (Q). Use twelve FLAT HEAD SCREWS (16).
- ◆ Fasten the PULLS (6) to the DOORS (Q and R). Use six PAN HEAD SCREWS (15).



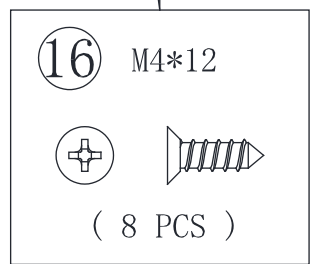
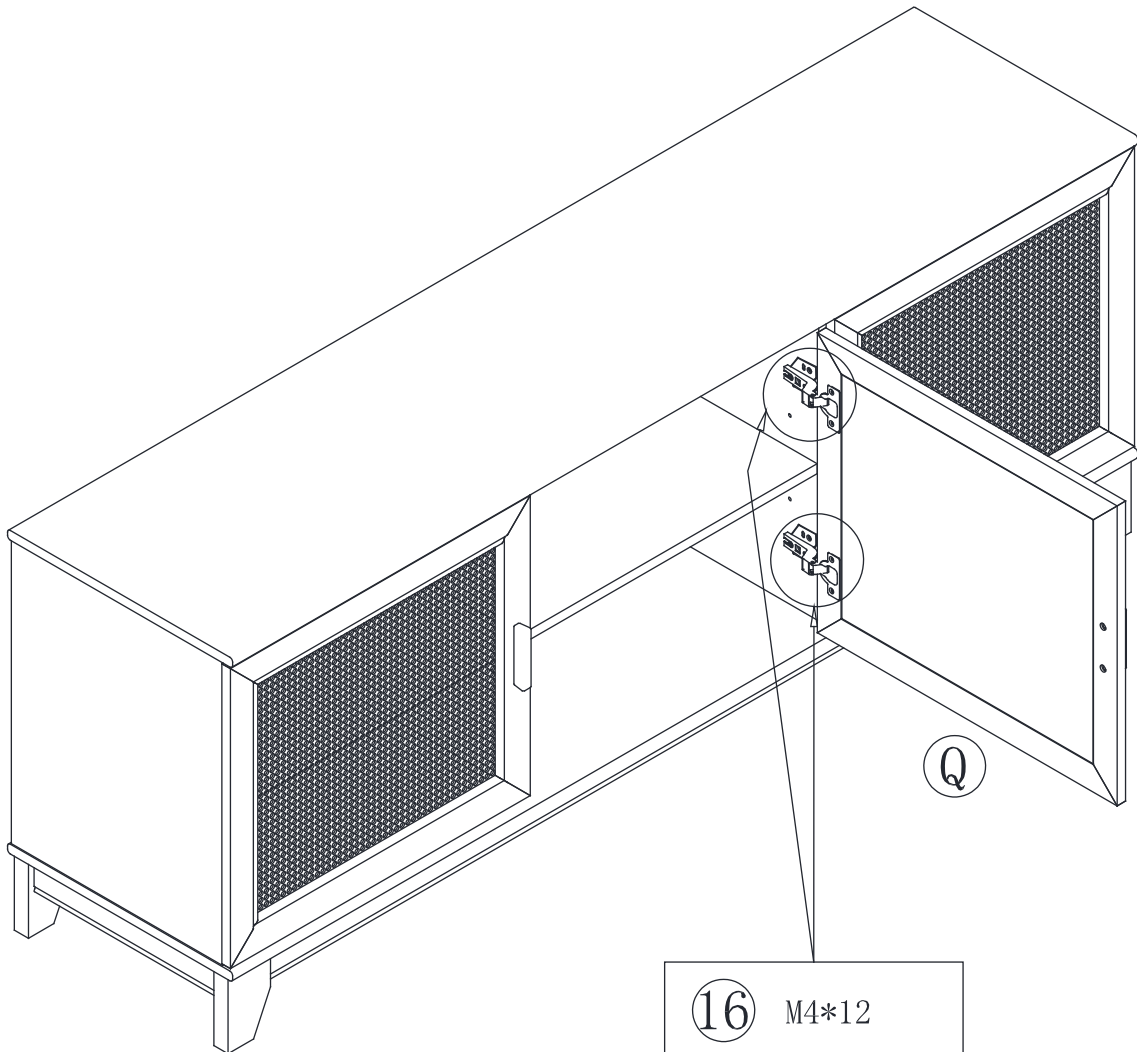
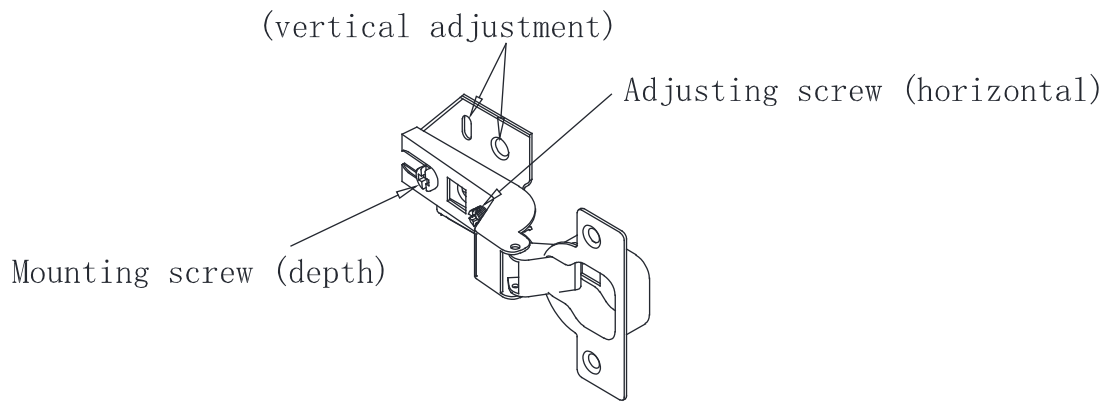
Step 15

- ◆ Fasten the DOORS (R and Q) with the HINGES (11) to the ENDS (C and D). Use sixteen FLAT HEAD SCREWS (16) through the round holes in each HINGE.
- ◆ Peel BUMPERS from the BUMPER CARDS (10) and stick them on the edges of the SHELVES (G)



Step 16

- ◆ Fasten the DOOR (Q) with the HINGE (12) to the UPRIGHT (F). Use eight FLAT HEAD SCREWS (16) through the round holes in each HINGE.



Step 17

- ◆ Peel APPLIQUES from the APPLIQUE CARDS (3) and stick them onto each visible HIDDEN CAM

