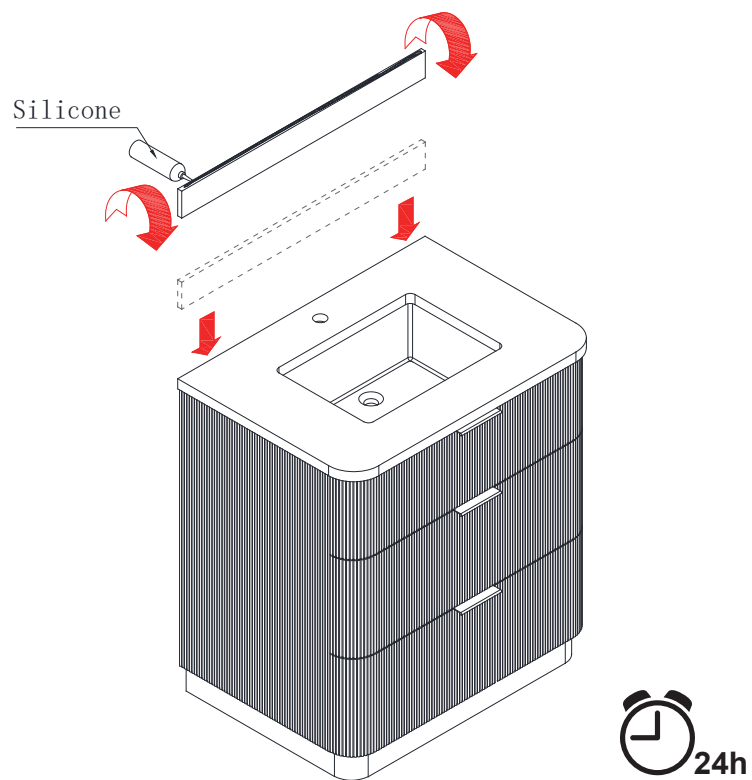




► Backsplash installation



- If the floor is uneven, the adjustable feet levelers can be rotated to raise the vanity to the desired height.

