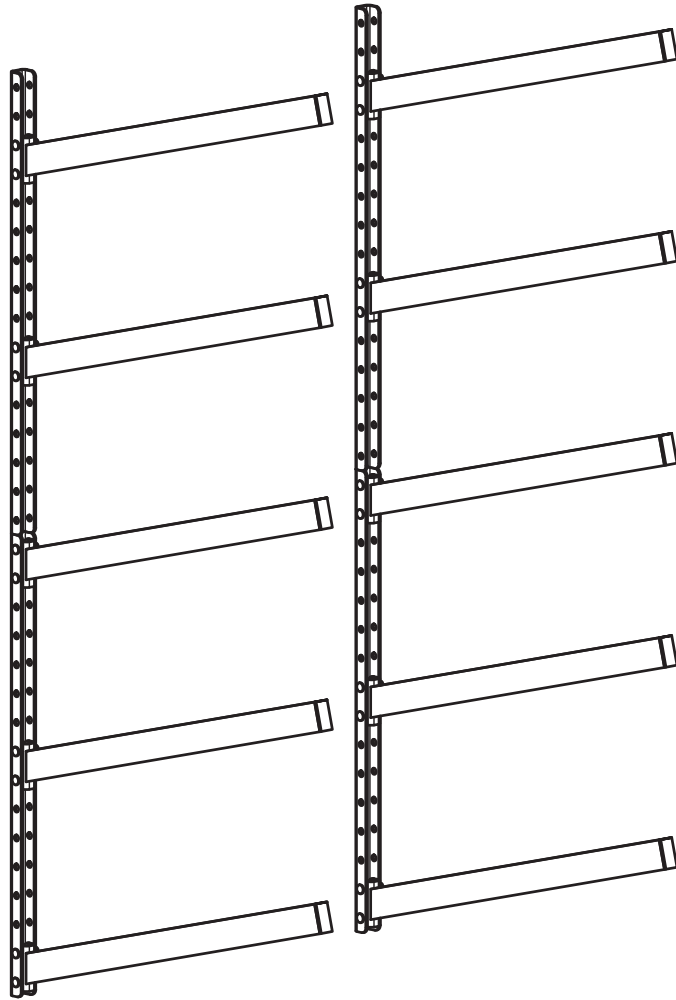


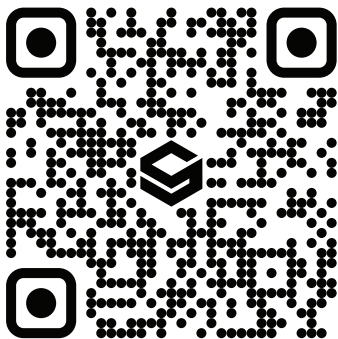


STOREYOUR



INSTALLATION GUIDE

ADJUSTABLE VERTICAL ORGANIZER



SCAN THIS QR CODE FOR
THE FULL INSTALL VIDEO.

Questions or Concerns?

Contact us at:  info@storeyour.com

IMPORTANT INFORMATION

Adjustable Vertical Organizer

Manufactured for Spire LLC in Vietnam

Quantity: 1

WARNING! The product is NOT intended for use by any person under the age of 18 years old. You must be over the age of 18 to install or use the product.

WARNING! Strictly follow all instructions to avoid an accident, damage to property, personal injury or death.

READ THE ENTIRE USER MANUAL BEFORE INSTALLATION

The User Manual you received with your product provides instructions on how to install and use your product. The instructions are written for a person with a basic understanding of tools and procedures. Read the entire manual before proceeding. If you do not understand any portion of the instructions, do not attempt installation, and email us with the information on the cover.

CORRECTLY INSTALL THE PRODUCT

Read and follow all instructions carefully.

Failure to properly install and use the product could allow the product to dismantle or fall, injuring persons or personal property in the process. Accordingly, it is critical that the product be assembled and installed correctly and according to the instructions in the User Manual.

USE TOOLS SAFELY

The procedures in the User Manual may require climbing ladders and/or operating power tools. Make sure you are familiar with these tools and their safety procedures before attempting to use such tools during installation. Always be aware of electrical wires during installation. Failure to do so could result in an electrical shock or death.

CAUTION

It is the consumer's responsibility to install this system in accordance with all codes, ordinances, and local regulations.

When installing the product, it is the consumer's responsibility to ensure the structural integrity of the structure it is being mounted to.

The product is intended for the storage of sporting equipment only. Do not use it for any other purpose.

This system has a maximum capacity stated in the following section. Overloading the system could result in damage to property or injury.

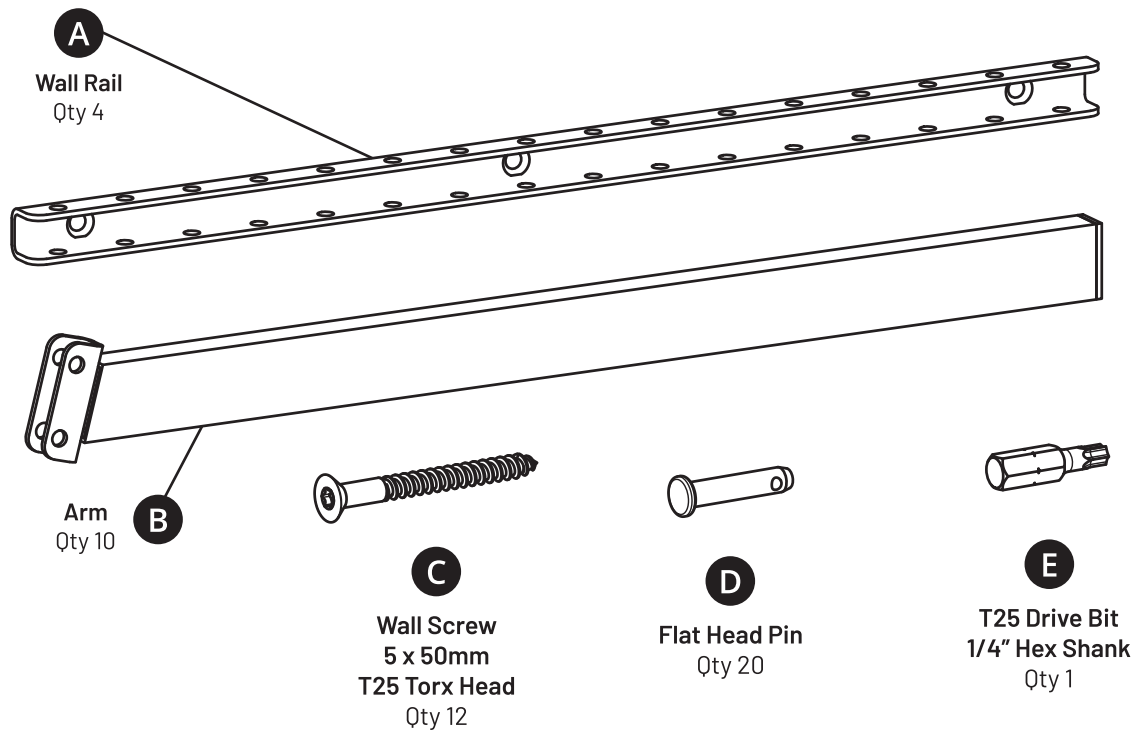
Use extreme caution when loading and unloading equipment from this system.

It is the consumer's responsibility to ensure that the system is in proper working condition before loading objects onto the system. Check tightness of all bolts and screws periodically. Failure to properly maintain the system could result in damage to property or injury.

WARNING AND DISCLAIMER

Spire LLC (d/b/a StoreYour) expressly disclaims any and all liability for personal injury, property damage or loss, whether direct, indirect, incidental, resulting from the incorrect mounting, improper use, inadequate maintenance, or neglect of this system.

ADJUSTABLE ORGANIZER PARTS



REQUIRED TOOLS:

Drill and Driver
3/32" (2.5mm) Drill Bit
Stud Finder
Level

WEIGHT LIMITS:

50 pounds per pair of arms
200 pounds per pair of wall rails

INSTALLATION STEPS

1 Plan, Measure, and Locate Studs

Measure the gear you plan to store and the available wall space. Determine the spacing between the Wall Rails based on the width of your gear, and decide the mounting height that provides proper clearance and accessibility.

Use a stud finder to locate the wall studs where the Wall Rails will be mounted, and mark the center of each stud with a pencil.

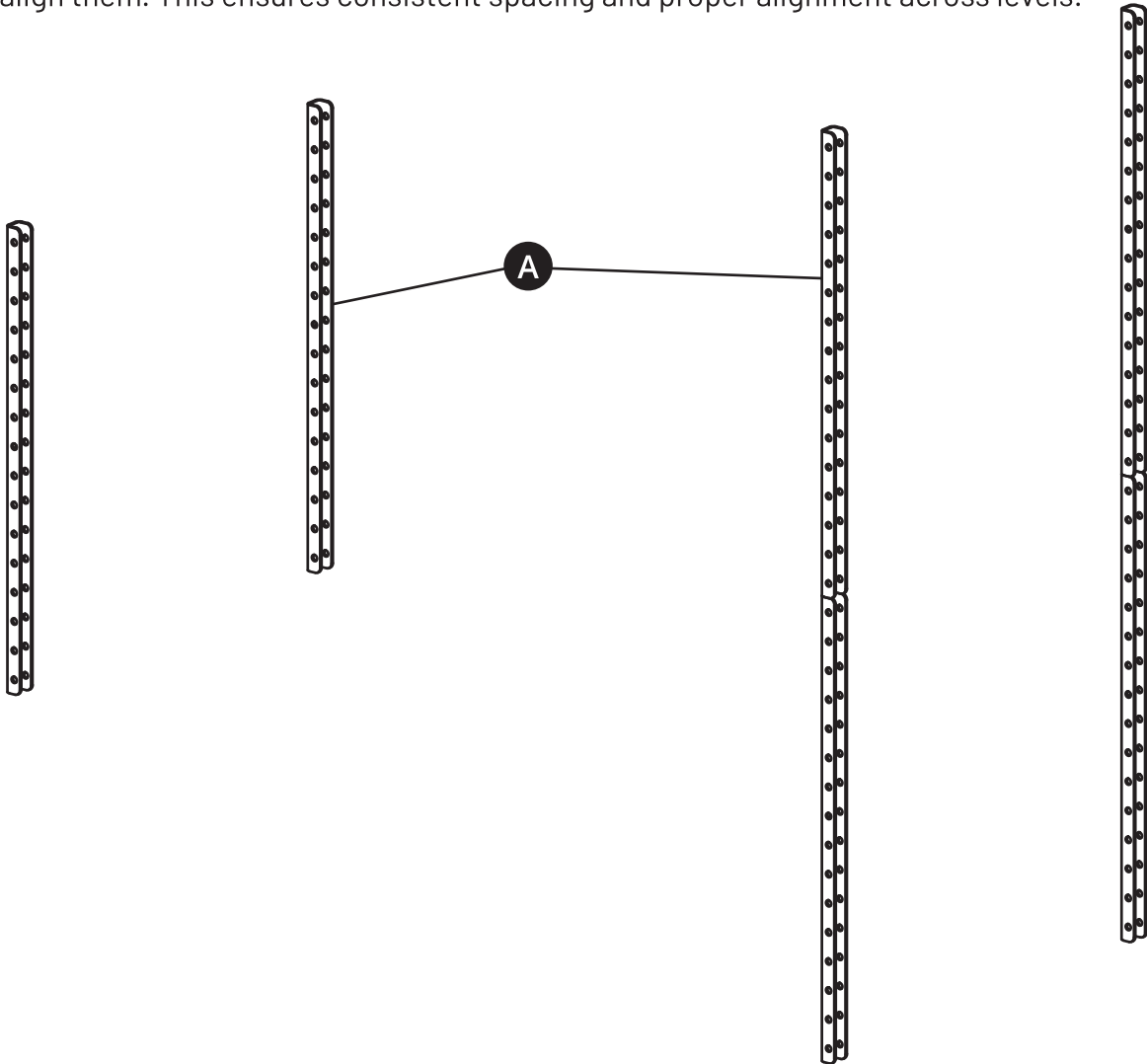
2 Position and Secure the First Wall Rail

- Hold the Wall Rail against the wall at the desired height, aligning the mounting holes with the center of the stud.
- Use a level to ensure the Wall Rail is perfectly vertical, then mark the hole locations with a pencil.
- Using a 3/32" drill bit, drill pilot holes at the marked locations and attach the Wall Rail to the wall using 3 Wall Screws, tightening securely.

3

Install the Second Wall Rail

- Repeat Step 2 for the second Wall Rail. Use a level to confirm both Wall Rails are vertically straight and aligned with each other, and ensure all screws are fastened into the center of the studs.
- When installing a multi-level system, use the base of an arm at the junction between the two Wall Rails to align them. This ensures consistent spacing and proper alignment across levels.



4

Attach the Arms

Insert the Pins to attach the arms to the Wall Rails. Adjust the arm height and spacing as needed for your gear.

